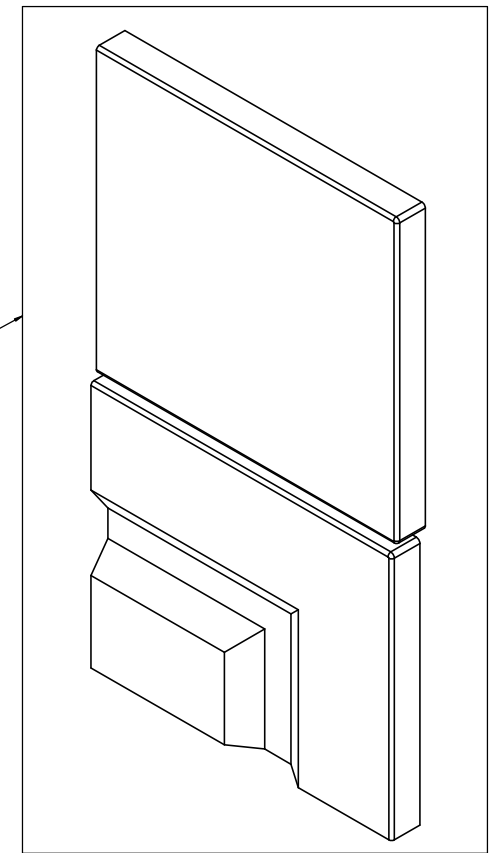
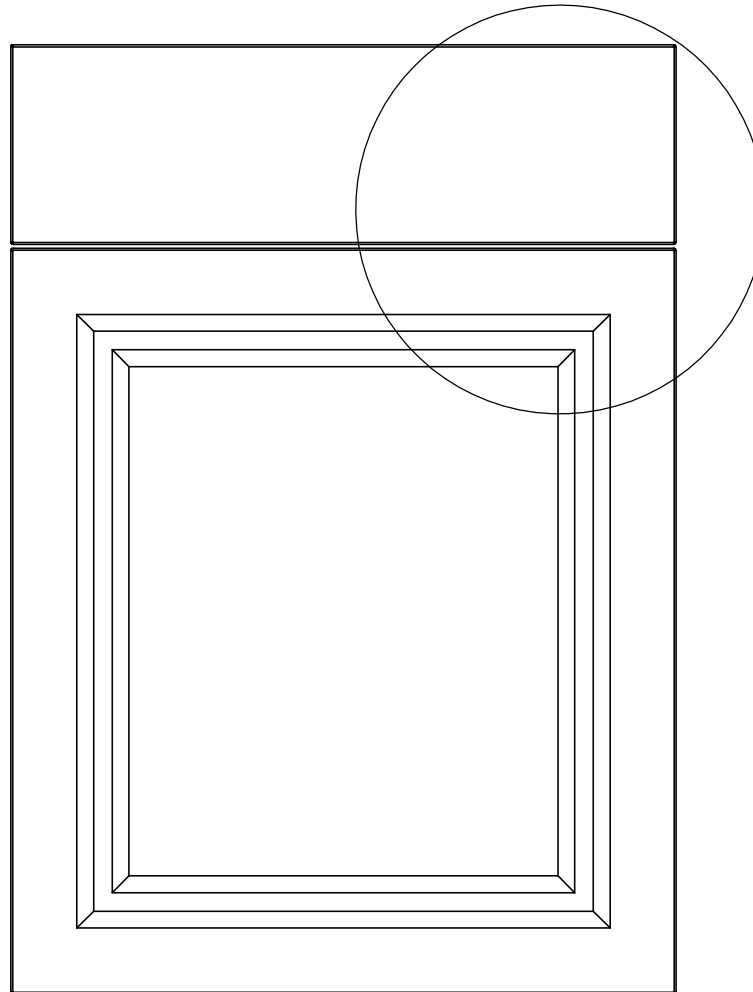



Item ID	Front Thickness [in] mm	Door Thickness [in] mm
BT2135B-WH	[.63] 16	[.63] 16

**This profile
belongs to
BT2135B-WH**

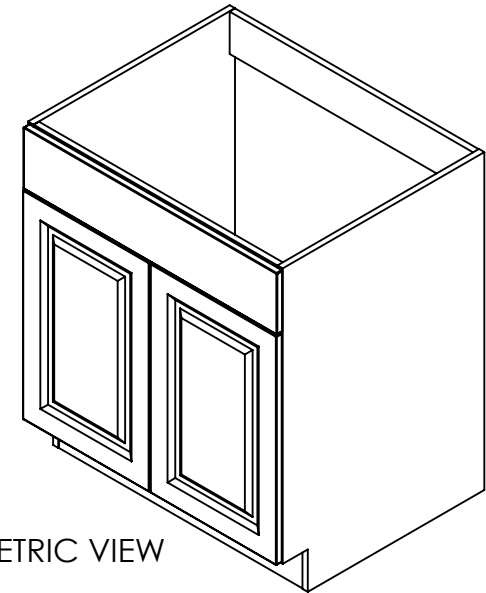
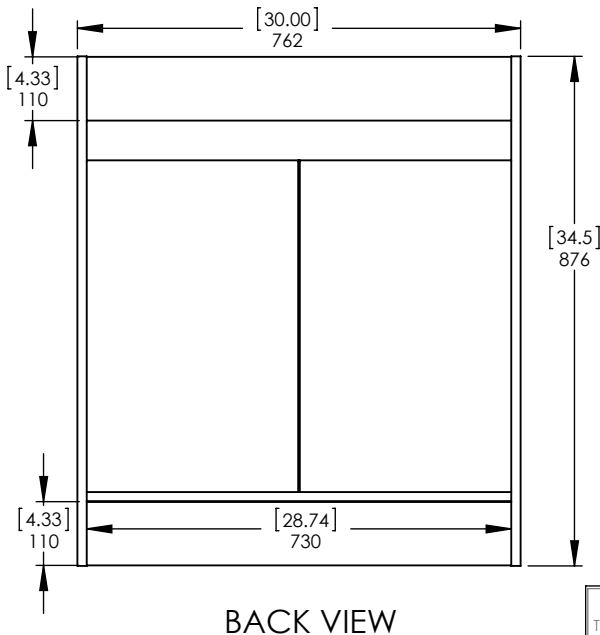
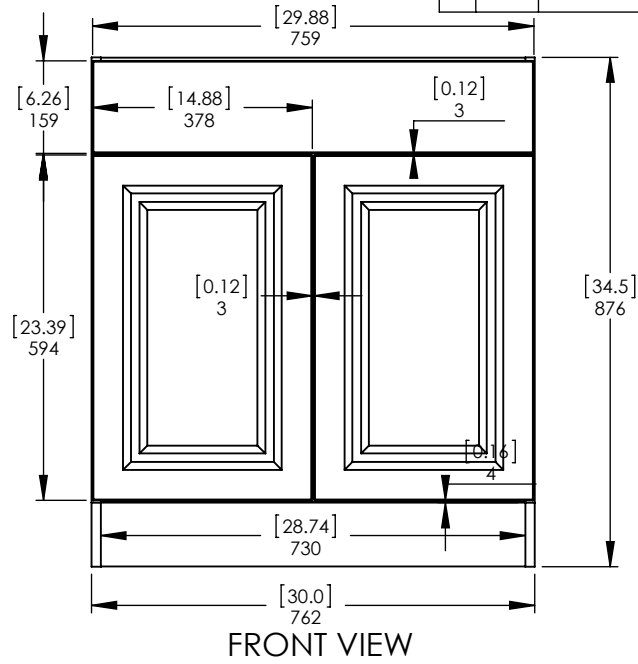
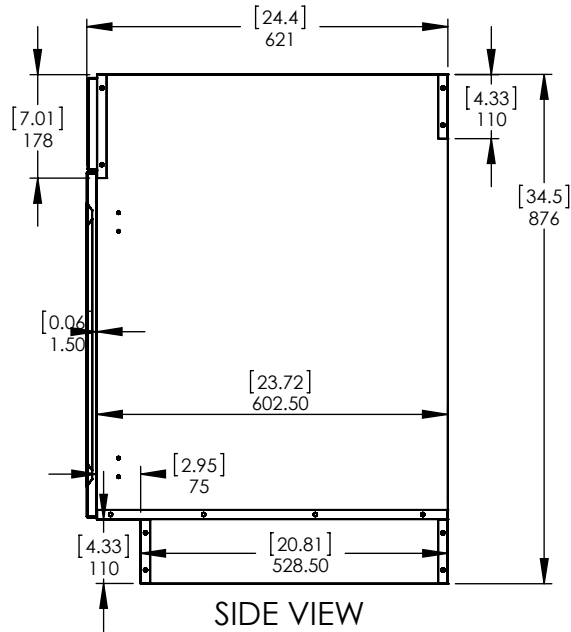


Detailed View

Profile: Benton White	
PROPRIETARY AND CONFIDENTIAL THE INFORMATION CONTAINED IN THIS DRAWING IS THE SOLE PROPERTY OF WOODCRAFTERS. ANY REPRODUCTION IN PART OR AS A WHOLE WITHOUT THE WRITTEN PERMISSION OF WOODCRAFTERS IS PROHIBITED.	UNLESS OTHERWISE SPECIFIED DIMENSIONS ARE IN MM AND [INCHES] TOLERANCES ARE +.039[1]-.039[1] SCALE:1:2
	

Item ID	Description
BT3035S-WH	Kitchens - Benton Sink Base Cabinet with False Drawer Front in White 30in W x 24.5 D x 34.5 H

Rev	ECO #	Description	REV'D BY DATE	CHK'D BY DATE	APRV'D BY DATE
0		New Release	KISM 9/30/16	KISM 9/30/16	KISM 9/30/16
1	1773	Change of position on back lower cleat (729mm)	RR 8/29/17	RR 8/29/17	RR 8/29/17



<p>PROPRIETARY AND CONFIDENTIAL</p> <p>THE INFORMATION CONTAINED IN THIS DRAWING IS THE SOLE PROPERTY OF WOODCRAFTERS. ANY REPRODUCTION IN PART OR AS A WHOLE WITHOUT THE WRITTEN PERMISSION OF WOODCRAFTERS IS PROHIBITED.</p>	<p>UNLESS OTHERWISE SPECIFIED</p> <p>DIMENSIONS ARE IN MM. AND (INCHES)</p> <p>TOLERANCES ARE + 0.039 [1] - 0.039 [1]</p> <p>SCALE:1:13</p>	NAME	DATE		<p>SIZE DWG. NO.</p> <p>A Base_Sink_Cabinet_30in</p>	<p>SHEET 1 OF 1</p> <p>REV: 1</p>	
		DRAWN	Kadir S.				10/3/16
		CHECKED	Kadir S.				10/3/16
		ENG APPR.	V. Sanchez				