



Item # 1001 509 633
1001 486 809
1005 990 184
Model # G2802W-US
G2802WR-US

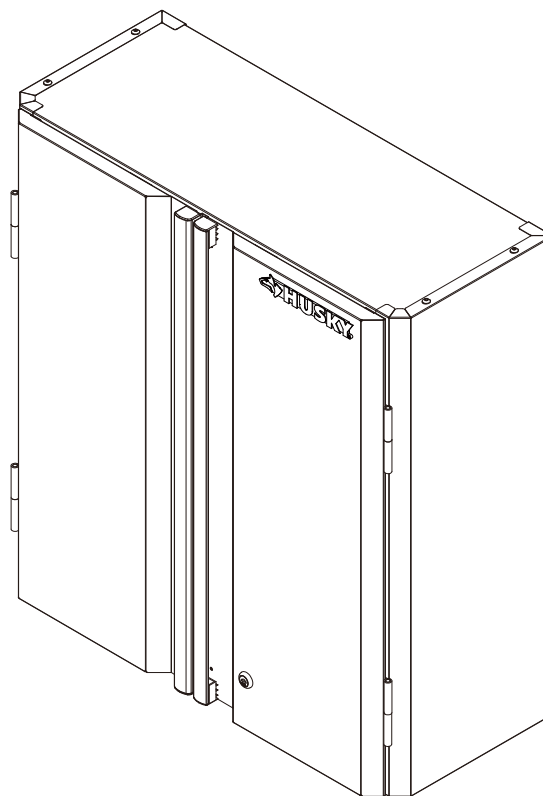
USE AND CARE GUIDE

28 IN. WALL CABINET

Questions, problems, missing parts?
Before returning to the store, call
Husky Customer Service
8 a.m. - 7 p.m., EST, Monday - Friday
9 a.m. - 6 p.m., EST, Saturday

1-888-43-HUSKY

WWW.HUSKYTOOLS.COM



Due to continuing improvements,
the actual product may differ slightly
from the product described herein.

THANK YOU

We appreciate the trust and confidence you have placed in Husky through the purchase of this cabinet. We strive to continually create quality products designed to enhance your home. Visit us online to see our full line of products available for your home improvement needs. Thank you for choosing Husky!

Table of Contents

Table of Contents2
Safety Information2
Warranty2
Specifications2
Pre-Installation3

Assembly5
Maintenance8
Care and Cleaning8
Service Parts9

Safety Information

To reduce the risk of serious injury, read and follow the safety instructions below before assembling and using this product.

- This product is intended for indoor use only.
- This product is not designed for commercial nor industrial usage.



CAUTION: Any assembly or maintenance of the product must be carried out by adults only. Arrange for necessary manpower when assembling, installing and moving the product.



CAUTION: Close and lock the door before moving this product.



CAUTION: DO NOT alter this product in any manner. For example, do not weld external bar locks or attach electrical equipment. This may cause product damage or personal injury.



CAUTION: Check all nuts and bolts periodically for tightness. When required, tighten them.



WARNING: This product must be securely mounted on wall before using.



WARNING: DO NOT put anything on the top panel of this product.



WARNING

- Unit must be placed on a level surface or leveled with included hardware (when applicable).
- Do not sit or stand on or allow children to climb, sit or stand on the assembled product.
- For safety reasons, it is imperative that this unit be mounted on the wall or floor.
- Do not use without installing the tip restraint.
- Unit can tip over causing severe injury or death.
- Never open more than one drawer at a time.
- Do not exceed the recommended weight limits.
- Evenly distribute the weight on each level and always keep the heavier loads on the bottom.
- Before cutting, drilling or hammering into any wall or floor surface, verify the location of electrical, plumbing and gas lines. Cutting may cause serious injury.

Warranty

This warranty excludes incidental/inconsequential damages and failures due to misuse, abuse or normal wear and tear.

This full warranty gives you specific rights, and you may also have other rights, which vary state to state.

Contact the customer service team at 1-888-43-HUSKY or visit www.huskytools.com.

Specifications

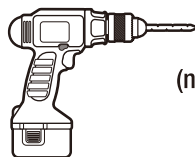
Maximum load for each door	11 lbs. / 5 kg
Maximum load for shelf	50 lbs. / 22.7 kg
Maximum load for bottom panel	50 lbs. / 22.7 kg
Maximum total load	122 lbs. / 55.4 kg

Pre-Installation

TOOLS REQUIRED



Hex Wrench
(Hex Key)



Drill
(not included)



Safety Goggles
(not included)



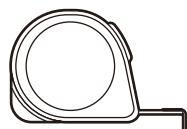
Level
(not included)



socket (10mm)
(not included)



Hex Screwdriver Bit



Measuring tape
(not included)

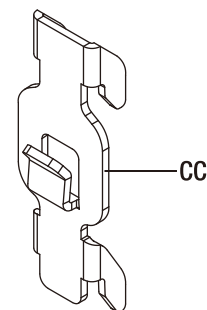
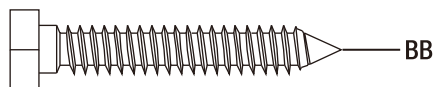


Gloves
(not included)

HARDWARE INCLUDED



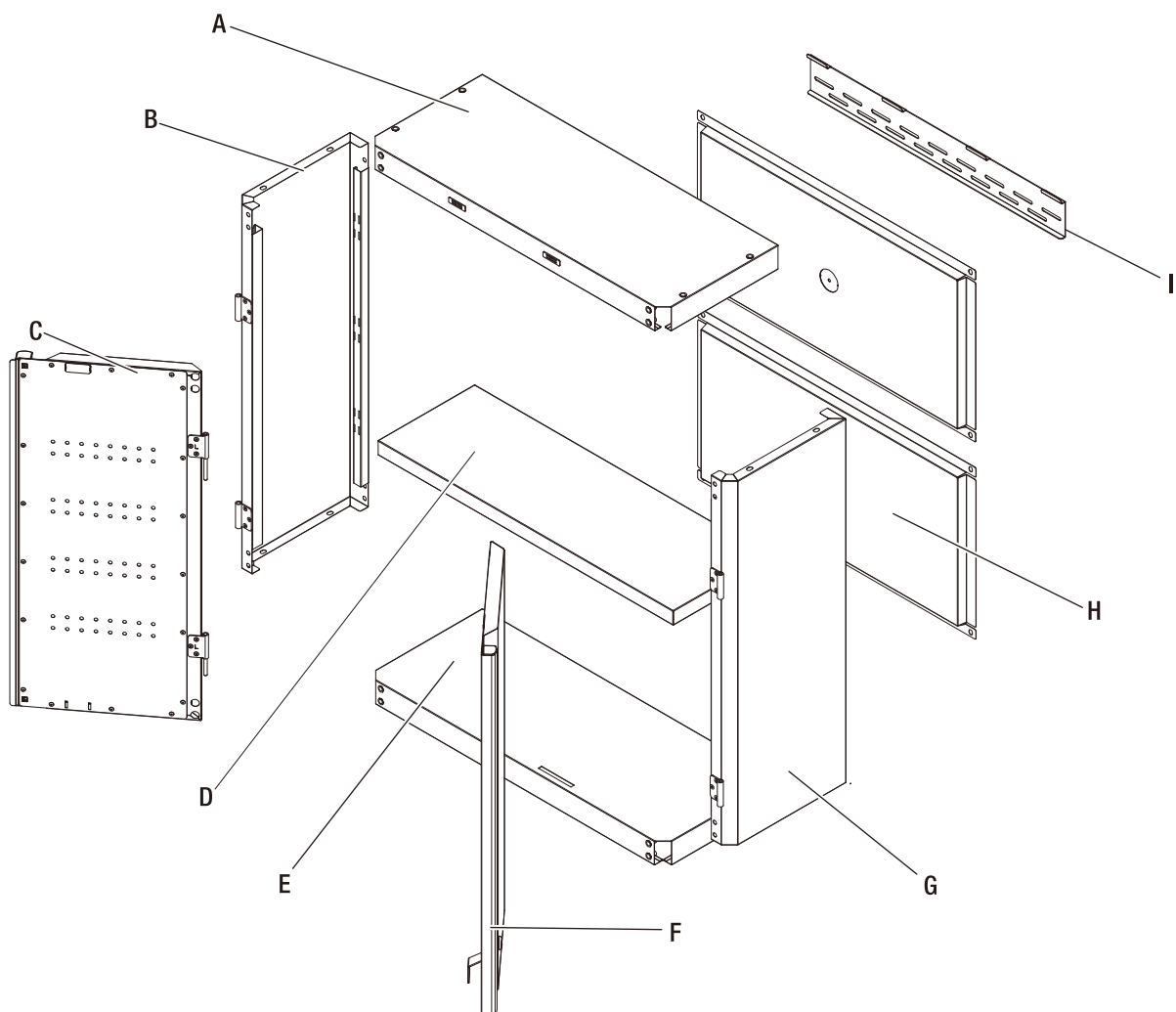
NOTE: Hardware not shown to actual size.



Part	Description	Quantity
AA	M6 x 16 hex socket head screw	20
BB	M6 x 40 hex tapping bolt	4
CC	Shelf bracket	4
DD	M6 x 16 hex socket head cap screw	4

Pre-Installation (continued)

PACKAGE CONTENTS



Part	Description	Quantity
A	Top panel	1
B	Left side panel	1
C	Left door	1
D	Shelf	1
E	Bottom panel	1

Part	Description	Quantity
F	Right door	1
G	Right side panel	1
H	Back panel	2
I	Mounting bracket	1

Assembly



CAUTION: Assemble on a flat surface. Make sure the surface is free of debris or the cabinet is protected. A piece of cardboard is recommended to keep the product from being scratched during assembly.



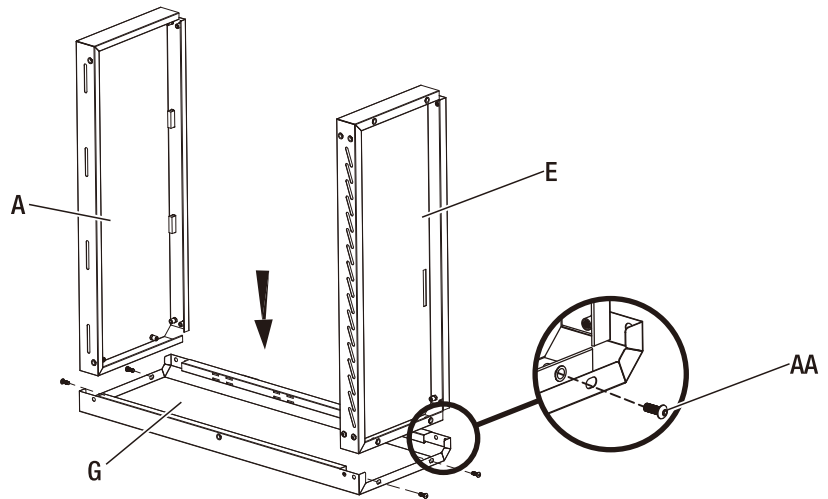
CAUTION: Please wear gloves during the whole assembling process to avoid accidental personal injury.



CAUTION: For component with protective film, please peel off the protective film before assembling it.

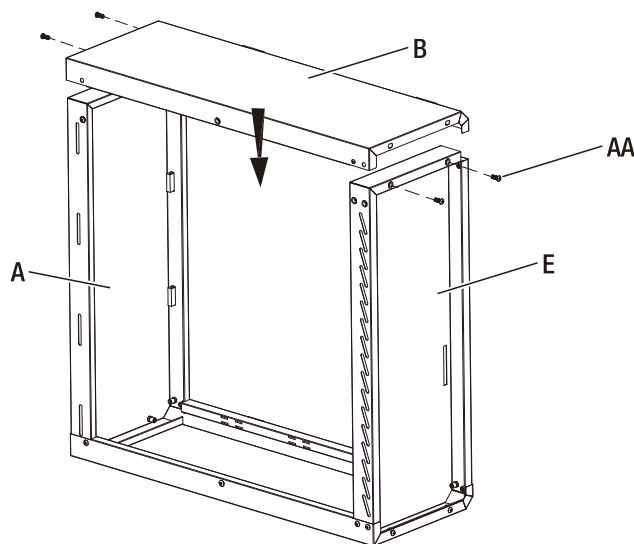
1 ATTACH THE BOTTOM PANEL , TOP PANEL AND RIGHT SIDE PANEL

Attach the bottom panel (E) & top panel (A) to the right side panel (G) with four M6 x 16 hex socket head screws (AA).
Tighten the screws.



2 ATTACH THE LEFT SIDE PANEL

Attach the left side panel (B) to the top and bottom panels (A & E) with four M6 x 16 hex socket head screw (AA).
Tighten the screws.



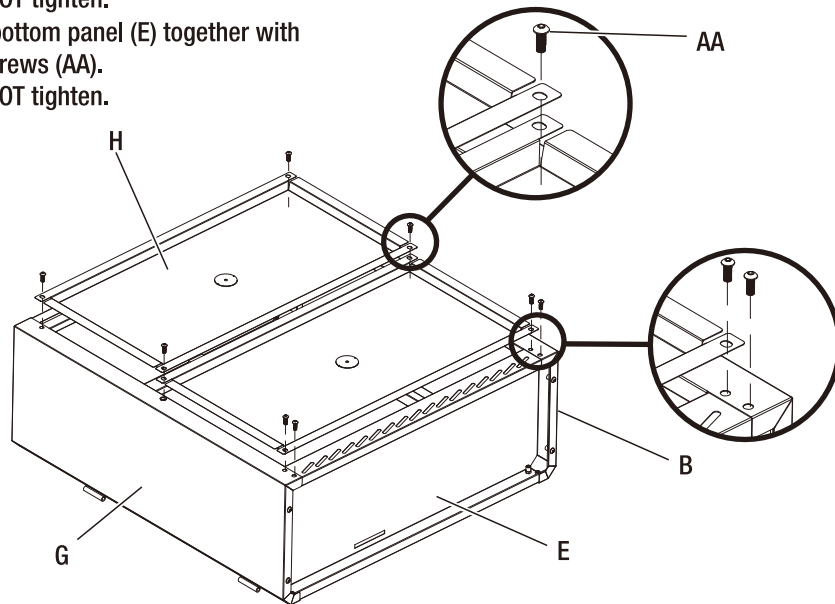
Assembly (continued)

3 ATTACH THE BACK PANELS



CAUTION: Make sure your floor is free of debris or the cabinet face is protected before laying the cabinet on its face.

- Lay the cabinet on its face.
- Attach two back panels (H) to the back of the cabinet with six M6 x 16 hex socket head screws (AA) . Insert the screws by hand. DO NOT tighten.
- Fix the side panels (G & B) and bottom panel (E) together with two M6 x 16 hex socket head screws (AA). Insert the screws by hand. DO NOT tighten.

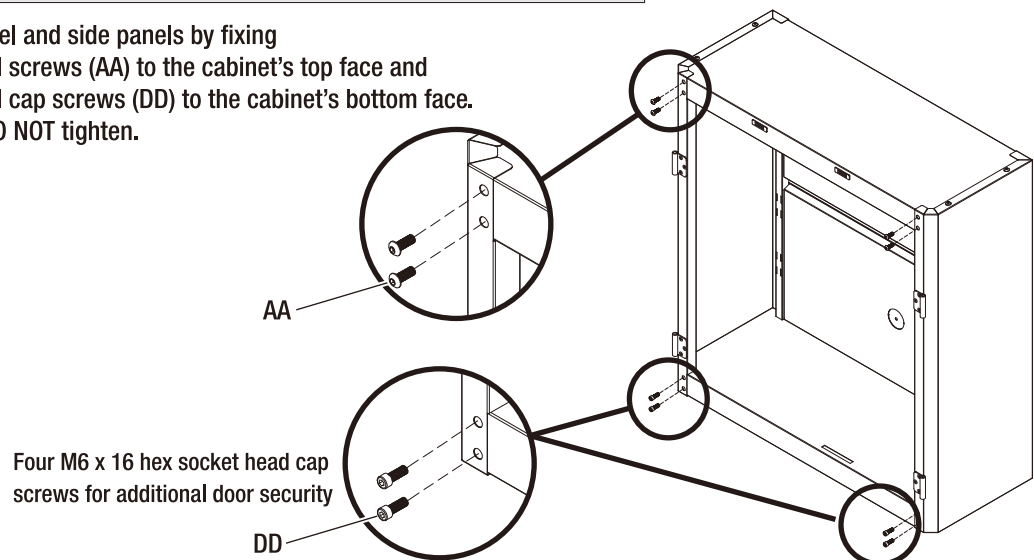


4 FIX THE TOP PANEL, BOTTOM PANEL AND SIDE PANELS



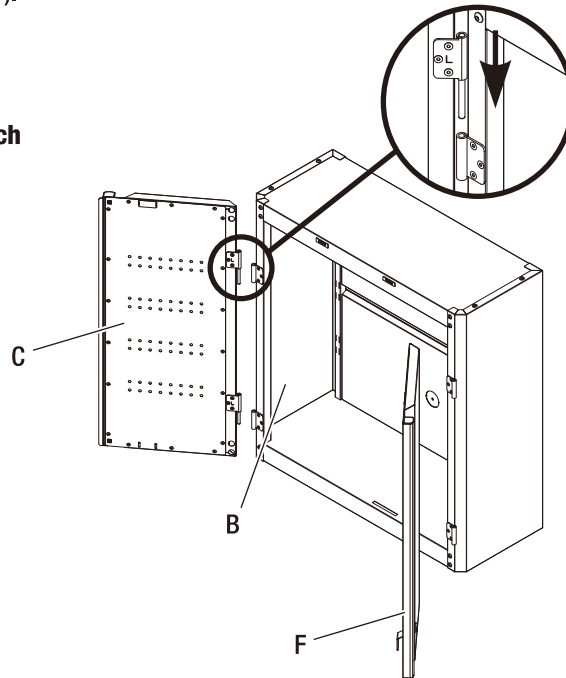
CAUTION: Four M6 x 16 hex socket head cap screws (DD) (security screws) should be fixed to the bottom face of the cabinet for additional door security.

Fix the top panel, bottom panel and side panels by fixing four M6 x 16 hex socket head screws (AA) to the cabinet's top face and four M6 x 16 hex socket head cap screws (DD) to the cabinet's bottom face. Insert the screws by hand. DO NOT tighten.



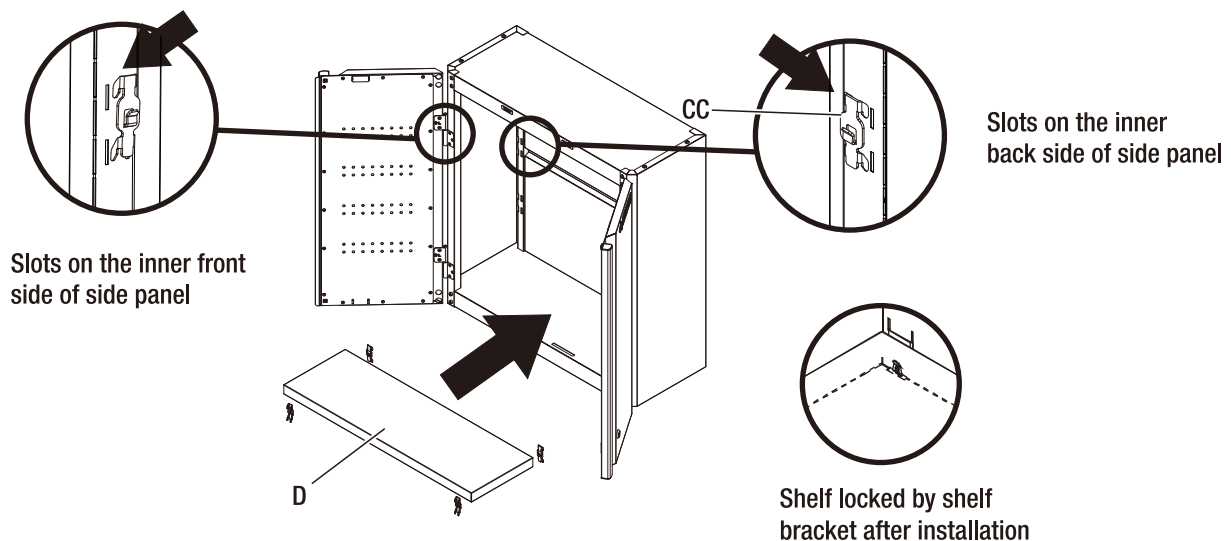
5 INSTALL THE DOORS

- Simply insert the pins of the hinges on the left door (C) into the slots of the bottom hinges at the front of the left side panel (B).
- Repeat the same procedure to attach the right door (F).
- Close the doors to see if the doors can touch the magnets completely. If not, adjust the cabinet's top and side panels to make sure the shape of the cabinet is square and flush. **Until the doors can catch the magnets completely and are flush, tighten all the screws at the cabinet front and back.**



6 INSTALL THE SHELF

Insert four shelf brackets (CC) into the slots on the side panels at the desired height. Make sure the four brackets (CC) are at the same height. Place the shelf (D) over the shelf brackets (CC), and push it down onto the shelf brackets. Make sure the shelf (D) is properly and safely locked by the upright hooks of the shelf brackets.



Assembly (continued)

7 INSTALL THE MOUNTING BRACKET



CAUTION: The M6 x 40 hex tapping bolts (BB) should be drilled into the studs of the wall.

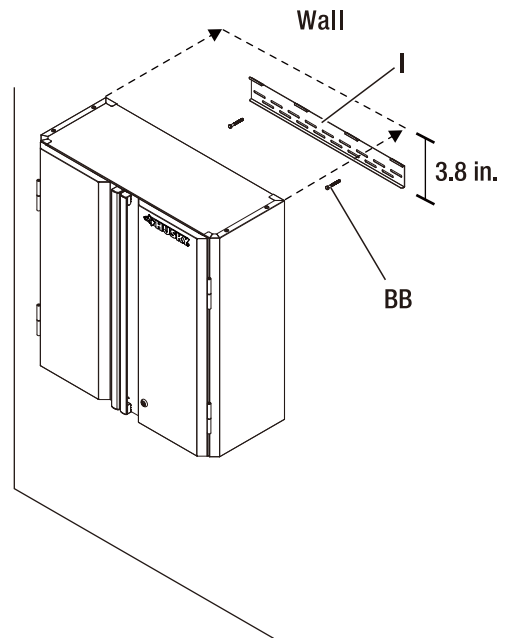


CAUTION: The mounting bracket should be level after installing on the wall.



CAUTION: Wear safety glasses when drilling the screws into the wall.

- Decide the location of the wall cabinet on the wall first to find the location of the mounting bracket (I). The bottom edge of the mounting bracket (I) should be 3.8 in. away below the cabinet's top edge.
- Install the mounting bracket (I) on the wall with two M6 x 40 hex tapping bolts (BB).

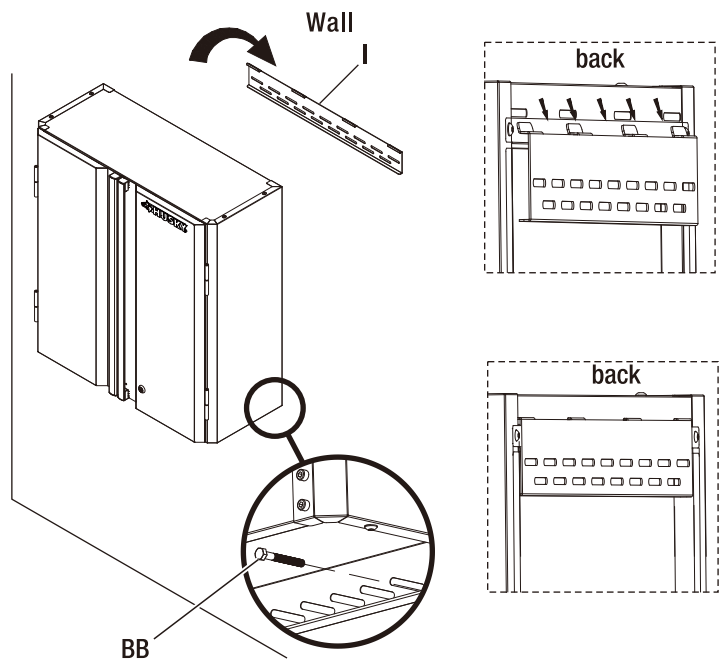


8 HANG THE CABINET



CAUTION: Make sure the wall cabinet is securely attached to the mounting bracket.

- Hang the wall cabinet onto the mounting bracket (I).
- Connect the cabinet bottom to the wall with two M6 x 40 hex tapping bolts (BB).



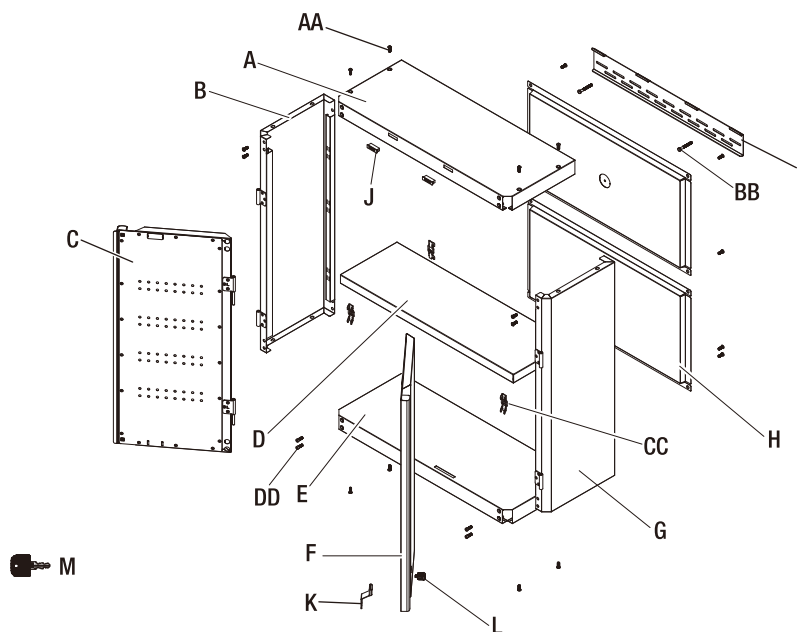
Maintenance

- Check all the screws and nuts periodically for tightness. Tighten them when necessary.

Care and Cleaning

- Periodically clean the surfaces with a soft rag and water.
- Grease and oil can be removed with most standard cleaning fluids. For safety, use a nonflammable cleaning fluid.

Service Parts



28 in. Wall Cabinet (Black): Model #: G2802W-US; SKU 1001 509 633 / 1001 486 809

Part	Replacement Part #	Description	Quantity
M	304213	Key	2
A	121822	Top panel	1
B	121820	Left side panel	1
C	123408	Left door	1
D	243252	Shelf	1
E	121823	Bottom panel	1
F	123409	Right door	1
G	121821	Right side panel	1
H	243231	Back panel	2

Part	Replacement Part #	Description	Quantity
I	243254	Mounting bracket	1
J	312033	Magnet	2
K	241329	Locking hook	1
L	304212	Lock	1
AA	320327	M6 x 16 hex socket head screw	20
BB	320328	M6 x 40 hex tapping bolt	4
CC	243311	Shelf bracket	4
DD	320346	M6 x 16 hex socket head cap screw	4

28 in. Wall Cabinet (Red): Model #: G2802WR-US; SKU 1005 990 184

Part	Replacement Part #	Description	Quantity
M	304213	Key	2
A	122246	Top panel	1
B	122244	Left side panel	1
C	123411	Left door	1
D	244180	Shelf	1
E	122247	Bottom panel	1
F	123412	Right door	1
G	122245	Right side panel	1
H	244151	Back panel	2

Part	Replacement Part #	Description	Quantity
I	243254	Mounting bracket	1
J	312033	Magnet	2
K	241329	Locking hook	1
L	304212	Lock	1
AA	320327	M6 x 16 hex socket head screw	20
BB	320328	M6 x 40 hex tapping bolt	4
CC	243311	Shelf bracket	4
DD	320346	M6 x 16 hex socket head cap screw	4



CAUTION: Replacement keys may be ordered. Call 1-844-370-2288 .



Questions, problems, missing parts? Before returning to the store,
call Husky Customer Service

8 a.m. - 7 p.m., EST, Monday - Friday

9 a.m. - 6 p.m., EST, Saturday

1-888-43-HUSKY

WWW.HUSKYTOOLS.COM

Retain this manual for future use.