

# RF29A9675

SAMSUNG

## Bespoke 4-Door Flex™ Refrigerator (29 cu. ft.) in Customizable Panel



### Signature Features

#### Color Customization

Customize the design of your refrigerator with changeable door panels. Choose from a variety of colors and two finishes to create a space that fits your style.

#### Beverage Center™

Quick access to refreshingly cool, filtered water two ways. Choose from an internal dispenser or a built-in pitcher that automatically refills, with the option to infuse with a flavor.

#### Dual Ice Maker with Ice Bites™

Enjoy your favorite beverage with your choice of ice. Select from cubed ice or Ice Bites that chill your drink faster. Makes up to 6 lbs per day, stores up to 9 lbs total.

### Bespoke 4-Door Flex™ Standard Color Models



White Glass

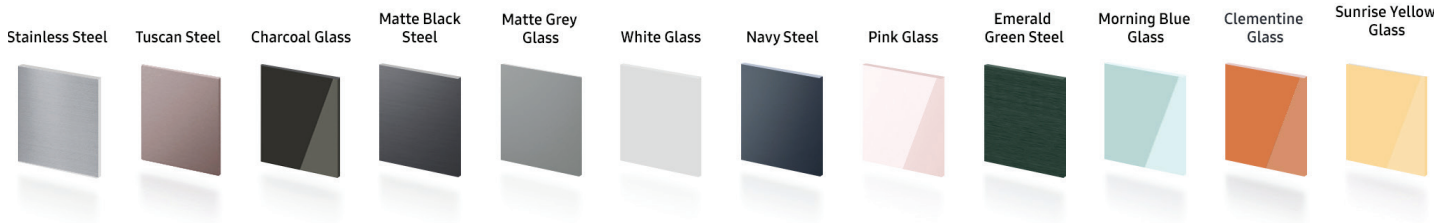


Matte Black Steel



Custom Panel-Ready

### Bespoke Panel Color Selection



### Design

- Color Customization
- Beverage Center™
- Modern Design
- LED Lighting

### Technology

- Dual Ice Maker with Ice Bites™ and Cubed Ice
- UV Deodorizing Filter
- Wi-Fi Enabled

### Performance

- FlexZone™
- Extra-Large Flexible Storage
- Flex Crisper™ Drawer
- Triple Cooling

### Rating



ENERGY STAR® rated:  
704 kWh/yr



ADA Compliant

# RF29A9675

SAMSUNG

## Bespoke 4-Door Flex™ Refrigerator (29 cu. ft.) in Customizable Panel

### Installation Specifications

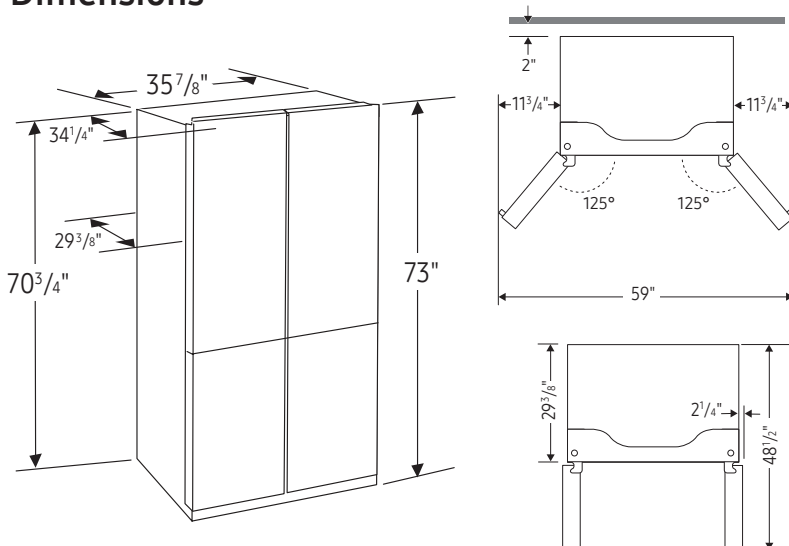
1. Measure the height, width and depth of the opening, making sure to include baseboards, molding tile, countertop overhang, etc. Check to be sure there is enough room to open the door (consider walls, islands or other obstacles when measuring).
2. Refer to illustration below to determine dimensions.
3. Allow 2.5" of clearance on hinge side of refrigerator when installing next to a wall where handle may make contact.
4. Allow 1" minimum clearance at rear for proper air circulation and water/electrical connections. Allow a 3/8" minimum clearance at sides and top for ease of installation.
5. Ensure each door and entryway in the home is wide enough for the refrigerator to be moved through easily.

For optimal usage and ability to open refrigerator doors completely, do not install next to a wall.

Please note: The following dimension and cutout information is for planning purposes only. For complete installation details, consult manual packed with product or download manual online at [samsung.com](http://samsung.com).



### Dimensions



**Total Capacity: 29 cu. ft.**

**Refrigerator: 17.4 cu. ft.**

- 4 Tempered Glass Spill-Proof Shelves
- 2 Clear Drawers: Flex Crisper™ and Crisper+
- 6 Door Bins
  - Right: 1 Gallon Bin, 2 Regular Bins
  - Left: 1 Gallon Bin, 2 Regular Bins
- LED Lighting

**Freezer: 11.6 cu. ft.**

- Dual Ice Maker in Freezer (Cubed Ice or Ice Bites™)
  - 2 Ice Buckets with Cover and 1 Scoop
- 3 Slide-Out Shelves
- 2 Clear Drawers
- 6 Door Bins
- LED Lighting

### Accessories

Water Filter: HAF-QIN

### Warranty

One (1) Year Parts and Labor on Refrigerator  
Two (2) Years Parts and Labor on Ice Maker  
Five (5) Years Parts and Labor on Sealed Refrigeration System Only\*  
Ten (10) Years Parts and Five (5) Years Labor on Digital Inverter Compressor  
\*Compressor, evaporator, condenser, drier and connecting tubing.

### Product Dimensions

Dimensions (WxHxD with hinges and doors):  
35<sup>7</sup>/<sub>8</sub>" x 73" x 34<sup>1</sup>/<sub>4</sub>"

Dimensions (WxHxD without hinges and door):  
35<sup>7</sup>/<sub>8</sub>" x 70<sup>3</sup>/<sub>4</sub>" x 29<sup>3</sup>/<sub>8</sub>"

### Shipping Dimensions (WxHxD)

Dimensions: 38<sup>1</sup>/<sub>4</sub>" x 78<sup>5</sup>/<sub>8</sub>" x 36<sup>1</sup>/<sub>4</sub>"

Color	Model #	UPC Code	Product & Shipping Weight (lbs)	
Matte Black Steel	RF29A9675MT	887276525785	352.7	374.8
White Glass	RF29A967512	887276651385	361.6	383.6
Custom Panel-Ready	RF29A9675AP	887276525778	330.7	352.7

# RF29BB8900

SAMSUNG

## Bespoke 4-Door French Door Refrigerator (29 cu. ft.) with Family Hub™



### Signature Features

#### Customizable Door Colors

Customize the design of your refrigerator with changeable door panels. Choose from a variety of colors and two finishes to create a space that fits your style.

#### Family Hub™

Samsung's Family Hub™ refrigerator helps you connect to what's most important: your family and home. Family Hub™ lets you see inside your refrigerator, manage your family's calendars, stream music, see who's at the front door and much more, all right from your fridge.

#### Beverage Center™

Quick access to refreshingly cool, filtered water two ways. Choose from an internal dispenser or a built-in pitcher that automatically refills, with the option to infuse with a flavor.

#### Extra-large Capacity

With 29 cu. ft. of capacity, this spacious refrigerator is designed for convenience, offering flexibility and organization to store and access all your favorite foods with ease.

### Bespoke 4-Door Refrigerator Standard Color Models



Custom Panel-Ready  
with Charcoal Glass  
Family Hub™ Panel



Custom Panel-Ready  
with White Glass  
Family Hub™ Panel



Charcoal Glass Top and Family  
Hub™ Panels with Matte Black  
Steel Middle and Bottom Panels

Stainless Steel

Tuscan Steel

Charcoal Glass

Matte Black  
Steel

Matte Grey  
Glass

White Glass

Navy Steel

Pink Glass

Emerald  
Green Steel

Morning Blue  
Glass

Clementine  
Glass

Sunrise Yellow  
Glass



### Design

- Customizable Door Colors
- Modern Design
- Recessed Handle

### Technology

- Family Hub™
- Beverage Center™
- Wi-Fi Enabled

### Performance

- Dual Ice Maker with Ice Bites
- FlexZone™ Drawer
- Metal Cooling
- 29 cu. ft. Capacity
- Twin Cooling Plus

### Rating



ENERGY STAR® rated:  
683 kWh/yr

# RF29BB8900

**SAMSUNG**

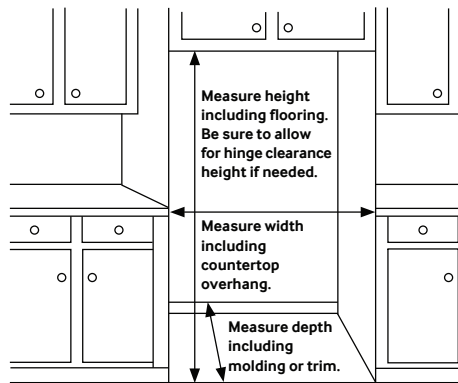
## Bespoke 4-Door French Door Refrigerator (29 cu. ft.) with Family Hub™

### Installation Specifications

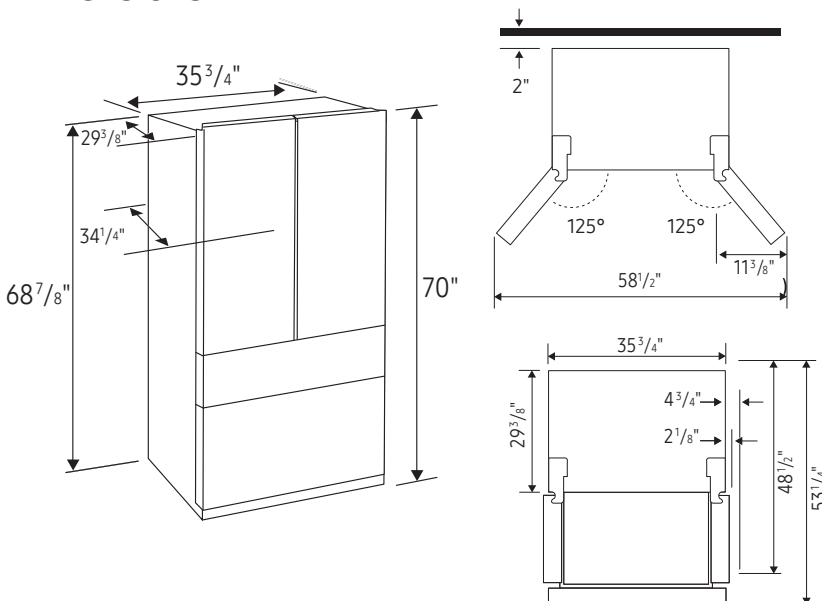
1. Measure the height, width and depth of the opening, making sure to include baseboards, molding tile, countertop overhang, etc. Check to be sure there is enough room to open the door (consider walls, islands or other obstacles when measuring).
2. Refer to illustration below to determine dimensions.
3. Allow 2.5" of clearance on hinge side of refrigerator when installing next to a wall where handle may make contact.
4. Allow 1" minimum clearance at rear for proper air circulation and water/electrical connections. Allow a 3/8" minimum clearance at sides and top for ease of installation.
5. Ensure each door and entryway in the home is wide enough for the refrigerator to be moved through easily.

For optimal usage and ability to open refrigerator doors completely, do not install next to a wall.

Please note: The following dimension and cutout information is for planning purposes only. For complete installation details, consult manual packed with product, or download manual online at [samsung.com](http://samsung.com).



### Dimensions



**Total Capacity: 28.6 cu. ft.**

**Refrigerator: 16.5 cu. ft.**

- 4 Tempered Glass Spill-Proof Shelves
- 2 Clear Drawers, Including Crisper+
- 6 Door Bins
  - Right: 1 Gallon Bin, 2 Regular Bins
  - Left: 3 Regular Bins
- Surface Lighting

**FlexZone™ Drawer: 3.1 cu. ft.**

- 5 Temperature Zones
  - Soft Freeze (23°F)
  - Meat/Fish (30°F)
  - Cold Drinks (34°F)
  - Deli/Snacks (37°F)
  - Wine/Party Dishes (41°F)
- 2 Drawer Dividers
- High Efficiency LED Lighting

**Freezer: 9.0 cu. ft.**

- Dual Ice Maker in Freezer (Cubed Ice AND Ice Bites)
- Ice Bucket with Cover and 1 Scoop
- Produces up to 5.3 lbs ice/day, stores up to 9.9 lbs
- High Efficiency LED Lighting

### Accessories

Water Filter: HAF-QIN

### Warranty

One (1) Year Parts and Labor on Refrigerator  
Two (2) Years Parts and Labor on Ice Maker  
Five (5) Years Parts and Labor on Sealed Refrigeration System Only\*  
Ten (10) Years Parts and Five (5) Years Labor on Digital Inverter Compressor

\*Compressor, evaporator, condenser, drier and connecting tubing.

### Product Dimensions

Dimensions (WxHxD with hinges and doors):

35 3/4" x 70" x 34 1/4"

Dimensions (WxHxD without hinges and door):

35 3/4" x 68 7/8" x 29 3/8"

### Shipping Dimensions (WxHxD)

Dimensions: 38 1/4" x 75 3/4" x 36 1/4"

Color	Model #	UPC Code	Product & Shipping Weight (lbs)	
Panel-Ready with Charcoal Glass Family Hub™ Panel	RF29BB8900AC	887276624365	359.4	383.6
Panel-Ready with White Glass Family Hub™ Panel	RF29BB8900AW	887276639888	359.4	383.6
Charcoal Glass Top and Family Hub™ Panels with Matte Black Steel Middle and Bottom Panels	RF29BB89008M	887276639864	374.8	399.0

# RF29BB8600

SAMSUNG

## Bespoke 4-Door French Door Refrigerator (29 cu. ft.) with Beverage Center™



### Signature Features

#### Customizable Door Colors

Customize the design of your refrigerator with changeable door panels. Choose from a variety of colors and two finishes to create a space that fits your style.

#### Beverage Center™

Quick access to refreshingly cool, filtered water two ways. Choose from an internal dispenser or a built-in pitcher that automatically refills, with the option to infuse with a flavor.

#### Extra-large Capacity

With 29 cu. ft. of capacity, this spacious refrigerator is designed for convenience, offering flexibility and organization to store and access all your favorite foods with ease.

### Bespoke 4-Door Refrigerator Standard Color Models



Stainless Steel - All Panels



White Glass - All Panels



Morning Blue Glass Top Panel with White Glass Middle and Bottom Panels



Custom Panel-Ready



### Design

- Customizable Door Colors
- Modern Design
- Recessed Handle


### Technology

- Beverage Center™
- Wi-Fi Enabled

### Performance

- Dual Ice Maker with Ice Bites
- FlexZone™ Drawer
- Metal Cooling
- 29 cu. ft. Capacity
- Twin Cooling Plus

### Rating

 ENERGY STAR® rated:  
685 kWh/yr

 ADA Compliant

# RF29BB8600

**SAMSUNG**

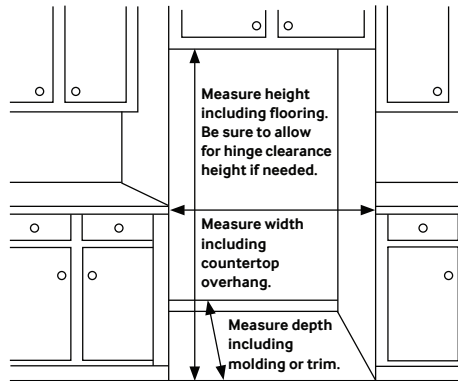
## Bespoke 4-Door French Door Refrigerator (29 cu. ft.) with Beverage Center™

### Installation Specifications

1. Measure the height, width and depth of the opening, making sure to include baseboards, molding tile, countertop overhang, etc. Check to be sure there is enough room to open the door (consider walls, islands or other obstacles when measuring).
2. Refer to illustration below to determine dimensions.
3. Allow 2.5" of clearance on hinge side of refrigerator when installing next to a wall where handle may make contact.
4. Allow 1" minimum clearance at rear for proper air circulation and water/electrical connections. Allow a 3/8" minimum clearance at sides and top for ease of installation.
5. Ensure each door and entryway in the home is wide enough for the refrigerator to be moved through easily.

For optimal usage and ability to open refrigerator doors completely, do not install next to a wall.

Please note: The following dimension and cutout information is for planning purposes only. For complete installation details, consult manual packed with product, or download manual online at [samsung.com](http://samsung.com).



**Total Capacity: 28.8 cu. ft.**

**Refrigerator: 16.7 cu. ft.**

- 4 Tempered Glass Spill-Proof Shelves
- 2 Clear Drawers, Including Crisper+
- 6 Door Bins
  - Right: 1 Gallon Bin, 2 Regular Bins
  - Left: 3 Regular Bins
- Surface Lighting

**FlexZone™ Drawer: 3.1 cu. ft.**

- 5 Temperature Zones
  - Soft Freeze (23°F)
  - Meat/Fish (30°F)
  - Cold Drinks (34°F)
  - Deli/Snacks (37°F)
  - Wine/Party Dishes (41°F)
- 2 Drawer Dividers
- High Efficiency LED Lighting

**Freezer: 9.0 cu. ft.**

- Dual Ice Maker in Freezer (Cubed Ice AND Ice Bites)
- Ice Bucket with Cover and 1 Scoop
- Produces up to 5.3 lbs ice/day, stores up to 9.9 lbs
- High Efficiency LED Lighting

### Accessories

Water Filter: HAF-QIN

### Warranty

One (1) Year Parts and Labor on Refrigerator  
Two (2) Years Parts and Labor on Ice Maker  
Five (5) Years Parts and Labor on Sealed Refrigeration System Only\*  
Ten (10) Years Parts and Five (5) Years Labor on Digital Inverter Compressor

\*Compressor, evaporator, condenser, drier and connecting tubing.

### Product Dimensions

Dimensions (WxHxD with hinges and doors):

35<sup>3</sup>/<sub>4</sub>" x 70" x 34<sup>1</sup>/<sub>4</sub>"

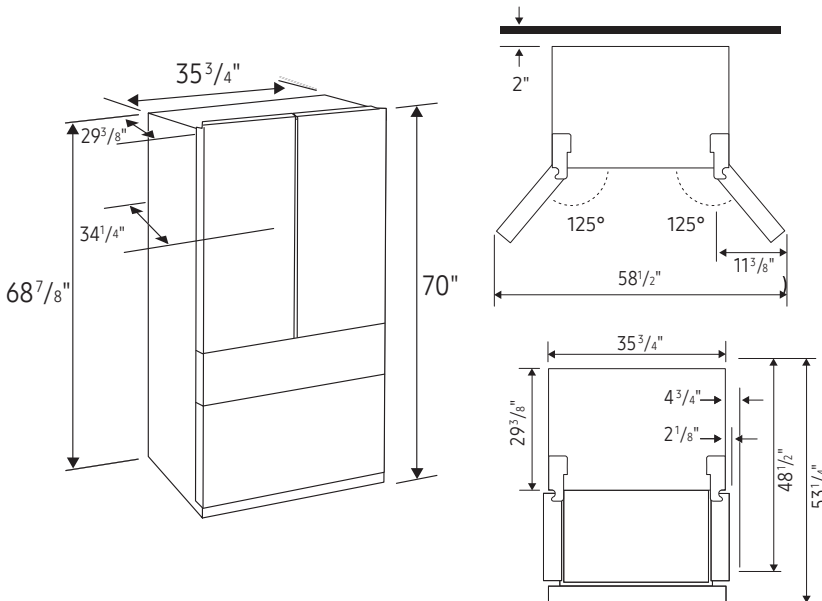
Dimensions (WxHxD without hinges and door):

35<sup>3</sup>/<sub>4</sub>" x 68<sup>7</sup>/<sub>8</sub>" x 29<sup>3</sup>/<sub>8</sub>"

### Shipping Dimensions (WxHxD)

Dimensions: 38<sup>1</sup>/<sub>4</sub>" x 75<sup>3</sup>/<sub>4</sub>" x 36<sup>1</sup>/<sub>4</sub>"

### Dimensions



### Color

Color	Model #	UPC Code	Product & Shipping Weight (lbs)	
Stainless Steel - All Panels	RF29BB8600QL	887276624334	361.6	385.8
White Glass - All Panels	RF29BB860012	887276639840	372.6	396.8
Morning Blue Glass Top Panel with White Glass Middle and Bottom Panels	RF29BB86004M	887276639857	372.6	396.8
Custom Panel-Ready	RF29BB8600AP	887276624327	343.9	368.2

# RF29BB8200

SAMSUNG

## Bespoke 4-Door French Door Refrigerator (29 cu. ft.) with AutoFill Water Pitcher



### Signature Features

#### Customizable Door Colors

Customize the design of your refrigerator with changeable door panels. Choose from a variety of colors and two finishes to create a space that fits your style.

#### Extra-large Capacity

With 29 cu. ft. of capacity, this spacious refrigerator is designed for convenience, offering flexibility and organization to store and access all your favorite foods with ease.

#### Dual Ice Maker with Ice Bites

Enjoy your favorite beverage with your choice of ice. Select from cubed ice or Ice Bites that chill your drink faster. Makes up to 5.3 lbs per day, stores up to 9.9 lbs total.

### Bespoke 4-Door Refrigerator Standard Color Models



Stainless Steel - All Panels



White Glass - All Panels



Custom Panel-Ready

Stainless Steel



Tuscan Steel



Charcoal Glass



Matte Black Steel



Matte Grey Glass



White Glass



Navy Steel



Pink Glass



Emerald Green Steel



Morning Blue Glass



Clementine Glass



Sunrise Yellow Glass



### Design

- Customizable Door Colors
- Modern Design
- Recessed Handle

### Technology

- AutoFill Water Pitcher
- Wi-Fi Enabled

### Performance

- Dual Ice Maker with Ice Bites
- FlexZone™ Drawer
- Metal Cooling
- 29 cu. ft. Capacity
- Twin Cooling Plus

### Rating



ENERGY STAR® rated:  
685 kWh/yr



ADA Compliant

# RF29BB8200

**SAMSUNG**

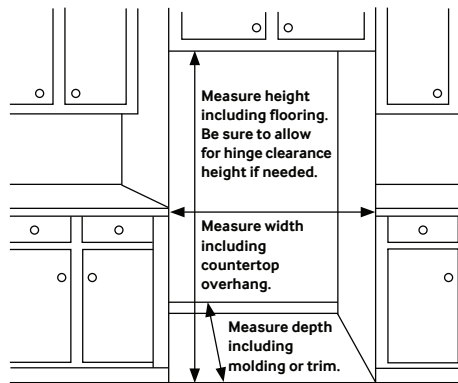
## Bespoke 4-Door French Door Refrigerator (29 cu. ft.) with AutoFill Water Pitcher

### Installation Specifications

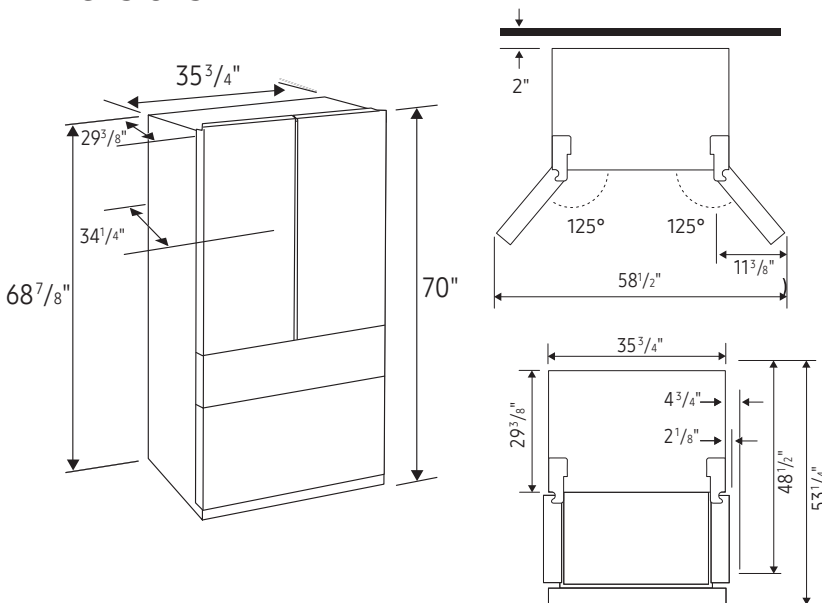
1. Measure the height, width and depth of the opening, making sure to include baseboards, molding tile, countertop overhang, etc. Check to be sure there is enough room to open the door (consider walls, islands or other obstacles when measuring).
2. Refer to illustration below to determine dimensions.
3. Allow 2.5" of clearance on hinge side of refrigerator when installing next to a wall where handle may make contact.
4. Allow 1" minimum clearance at rear for proper air circulation and water/electrical connections. Allow a 3/8" minimum clearance at sides and top for ease of installation.
5. Ensure each door and entryway in the home is wide enough for the refrigerator to be moved through easily.

For optimal usage and ability to open refrigerator doors completely, do not install next to a wall.

Please note: The following dimension and cutout information is for planning purposes only. For complete installation details, consult manual packed with product, or download manual online at [samsung.com](http://samsung.com).



### Dimensions



**Total Capacity: 28.9 cu. ft.**

**Refrigerator: 16.8 cu. ft.**

- 4 Tempered Glass Spill-Proof Shelves
- 2 Clear Drawers, Including Crisper+
- 6 Door Bins  
Right: 1 Gallon Bin, 2 Regular Bins  
Left: 1 Gallon Bin, 2 Regular Bins
- Surface Lighting

**FlexZone™ Drawer: 3.1 cu. ft.**

- 5 Temperature Zones
  - Soft Freeze (23°F)
  - Meat/Fish (30°F)
  - Cold Drinks (34°F)
  - Deli/Snacks (37°F)
  - Wine/Party Dishes (41°F)
- 2 Drawer Dividers
- High Efficiency LED Lighting

**Freezer: 9.0 cu. ft.**

- Dual Ice Maker in Freezer (Cubed Ice AND Ice Bites)
- Ice Bucket with Cover and 1 Scoop
- Produces up to 5.3 lbs ice/day, stores up to 9.9 lbs
- High Efficiency LED Lighting

**Accessories**

Water Filter: HAF-QIN

**Warranty**

- One (1) Year Parts and Labor on Refrigerator
- Two (2) Years Parts and Labor on Ice Maker
- Five (5) Years Parts and Labor on Sealed Refrigeration System Only\*
- Ten (10) Years Parts and Five (5) Years Labor on Digital Inverter Compressor

\*Compressor, evaporator, condenser, drier and connecting tubing.

**Product Dimensions**

Dimensions (WxHxD with hinges and doors):

35 3/4" x 70" x 34 1/4"

Dimensions (WxHxD without hinges and door):

35 3/4" x 68 7/8" x 29 3/8"

**Shipping Dimensions (WxHxD)**

Dimensions: 38 1/4" x 75 3/4" x 36 1/4"

Color	Model #	UPC Code	Product & Shipping Weight (lbs)	
Stainless Steel - All Panels	RF29BB8200QL	887276624310	332.9	357.1
White Glass - All Panels	RF29BB820012	887276639833	366.0	368.2
Custom Panel-Ready	RF29BB8200AP	887276624303	315.3	339.5



# RF30BB6900

SAMSUNG

## Bespoke 3-Door French Door Refrigerator (30 cu. ft.) with Family Hub™



### Signature Features

#### Customizable Door Colors

Customize the design of your refrigerator with changeable door panels. Choose from a variety of colors and two finishes to create a space that fits your style.

#### Family Hub™

Samsung's Family Hub™ refrigerator helps you connect to what's most important: your family and home. Family Hub™ lets you see inside your refrigerator, manage your family's calendars, stream music, see who's at the front door and much more, all right from your fridge.

#### Beverage Center™

Quick access to refreshingly cool, filtered water two ways. Choose from an internal dispenser or a built-in pitcher that automatically refills, with the option to infuse with a flavor.

#### Extra-large Capacity

With 30 cu. ft. of capacity, this spacious refrigerator is designed for convenience, offering flexibility and organization to store and access all your favorite foods with ease.

### Bespoke 3-Door French Door Standard Color Models



Custom Panel-Ready  
with Charcoal Glass  
Family Hub™ Panel



Custom Panel-Ready  
with White Glass  
Family Hub™ Panel



White Glass Top  
and Family Hub™ Panels  
with Matte Gray Glass  
Bottom Panel

Stainless Steel

Tuscan Steel

Charcoal Glass

Matte Black  
Steel

Matte Grey  
Glass

White Glass

Navy Steel

Pink Glass

Emerald  
Green Steel

Morning Blue  
Glass

Clementine  
Glass

Sunrise Yellow  
Glass

### Design

- Customizable Door Colors
- Modern Design
- Recessed Handle

### Technology

- Family Hub™
- Beverage Center™
- Wi-Fi Enabled

### Performance

- Dual Ice Maker with Ice Bites
- 30 cu. ft. Capacity
- Twin Cooling Plus

### Rating



ENERGY STAR® rated:  
693 kWh/yr

# RF30BB6900

# SAMSUNG

## Bespoke 3-Door French Door Refrigerator (30 cu. ft.) with Family Hub™

### Installation Specifications

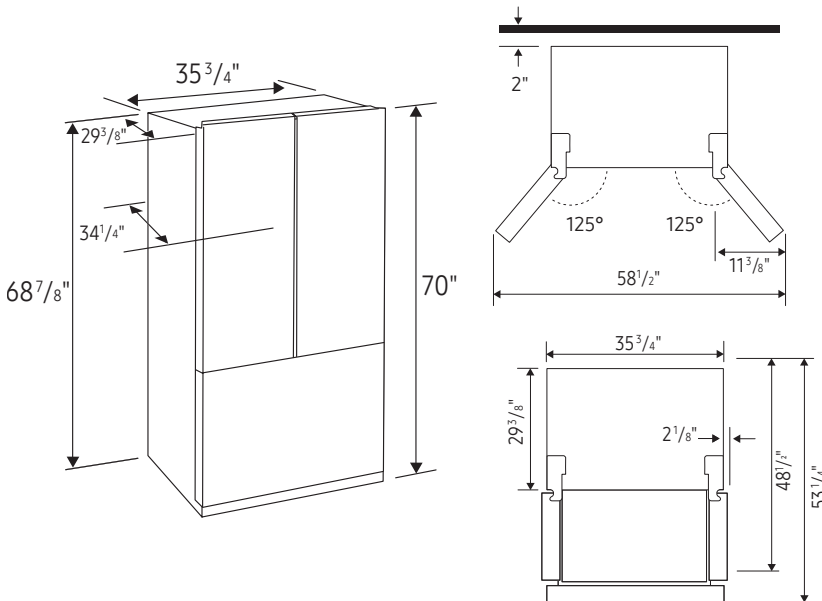
1. Measure the height, width and depth of the opening, making sure to include baseboards, molding tile, countertop overhang, etc. Check to be sure there is enough room to open the door (consider walls, islands or other obstacles when measuring).
2. Refer to illustration below to determine dimensions.
3. Allow 2.5" of clearance on hinge side of refrigerator when installing next to a wall where handle may make contact.
4. Allow 1" minimum clearance at rear for proper air circulation and water/electrical connections. Allow a 3/8" minimum clearance at sides and top for ease of installation.
5. Ensure each door and entryway in the home is wide enough for the refrigerator to be moved through easily.

For optimal usage and ability to open refrigerator doors completely, do not install next to a wall.

Please note: The following dimension and cutout information is for planning purposes only. For complete installation details, consult manual packed with product, or download manual online at [samsung.com](http://samsung.com).



### Dimensions



**Total Capacity: 29.8 cu. ft.**

**Refrigerator: 20.8 cu. ft.**

- 4 Tempered Glass Spill-Proof Shelves
- 2 Clear Drawers, Including Crisper+
- 2 Large Pantry Drawers
- 8 Door Bins
  - Right: 1 Gallon Bin, 3 Regular Bins
  - Left: 4 Regular Bins
- Surface Lighting

**Freezer: 9.0 cu. ft.**

- Dual Ice Maker in Freezer (Cubed Ice AND Ice Bites)
- Ice Bucket with Cover and 1 Scoop
- Produces up to 5.3 lbs ice/day, stores up to 9.9 lbs
- High Efficiency LED Lighting

### Accessories

Water Filter: HAF-QIN

### Warranty

One (1) Year Parts and Labor on Refrigerator  
Two (2) Years Parts and Labor on Ice Maker  
Five (5) Years Parts and Labor on Sealed Refrigeration System Only\*  
Ten (10) Years Parts and Five (5) Years Labor on Digital Inverter Compressor

\*Compressor, evaporator, condenser, drier and connecting tubing.

### Product Dimensions

Dimensions (WxHxD with hinges and doors):  
35<sup>3</sup>/<sub>4</sub>" x 70" x 34<sup>1</sup>/<sub>4</sub>"

Dimensions (WxHxD without hinges and door):  
35<sup>3</sup>/<sub>4</sub>" x 68<sup>7</sup>/<sub>8</sub>" x 29<sup>3</sup>/<sub>8</sub>"

### Shipping Dimensions (WxHxD)

Dimensions: 38<sup>1</sup>/<sub>4</sub>" x 75<sup>3</sup>/<sub>4</sub>" x 36<sup>1</sup>/<sub>4</sub>"

Color	Model #	UPC Code	Product & Shipping Weight (lbs)	
Custom Panel-Ready with Charcoal Glass Family Hub™ Panel	RF30BB6900AC	887276624433	328.5	352.7
Custom Panel-Ready with White Glass Family Hub™ Panel	RF30BB6900AW	887276639932	328.5	352.7
White Glass Top and Family Hub™ Panels with Matte Gray Glass Bottom Panel	RF30BB69006M	887276639925	346.1	370.4

# RF30BB6600

SAMSUNG

## Bespoke 3-Door French Door Refrigerator (30 cu. ft.) with Beverage Center™



### Signature Features

#### Customizable Door Colors

Customize the design of your refrigerator with changeable door panels. Choose from a variety of colors and two finishes to create a space that fits your style.

#### Beverage Center™

Quick access to refreshingly cool, filtered water two ways. Choose from an internal dispenser or a built-in pitcher that automatically refills, with the option to infuse with a flavor.

#### Extra-large Capacity

With 30 cu. ft. of capacity, this spacious refrigerator is designed for convenience, offering flexibility and organization to store and access all your favorite foods with ease.

### Bespoke 3-Door French Door Standard Color Models



Stainless Steel - All Panels



White Glass - All Panels



Custom Panel-Ready



### Design

- Customizable Door Colors
- Modern Design
- Recessed Handle

### Technology

- Beverage Center™
- Wi-Fi Enabled

### Performance

- Dual Ice Maker with Ice Bites
- 30 cu. ft. Capacity
- Twin Cooling Plus

### Rating



ENERGY STAR® rated:  
695 kWh/yr



ADA Compliant

# RF30BB6600

# SAMSUNG

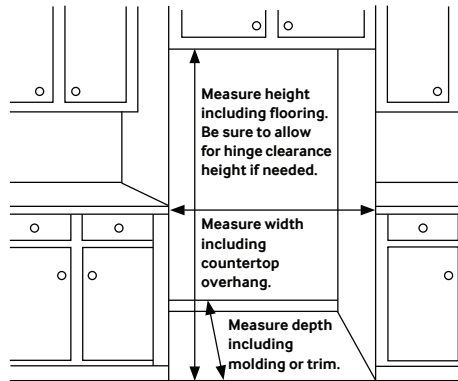
## Bespoke 3-Door French Door Refrigerator (30 cu. ft.) with Beverage Center™

### Installation Specifications

1. Measure the height, width and depth of the opening, making sure to include baseboards, molding tile, countertop overhang, etc. Check to be sure there is enough room to open the door (consider walls, islands or other obstacles when measuring).
2. Refer to illustration below to determine dimensions.
3. Allow 2.5" of clearance on hinge side of refrigerator when installing next to a wall where handle may make contact.
4. Allow 1" minimum clearance at rear for proper air circulation and water/electrical connections. Allow a 3/8" minimum clearance at sides and top for ease of installation.
5. Ensure each door and entryway in the home is wide enough for the refrigerator to be moved through easily.

For optimal usage and ability to open refrigerator doors completely, do not install next to a wall.

Please note: The following dimension and cutout information is for planning purposes only. For complete installation details, consult manual packed with product, or download manual online at [samsung.com](http://samsung.com).



**Total Capacity: 30.1 cu. ft.**

**Refrigerator: 21.1 cu. ft.**

- 4 Tempered Glass Spill-Proof Shelves
- 2 Clear Drawers, Including Crisper+
- 2 Large Pantry Drawers
- 8 Door Bins
  - Right: 1 Gallon Bin, 3 Regular Bins
  - Left: 4 Regular Bins
- Surface Lighting

**Freezer: 9.0 cu. ft.**

- Dual Ice Maker in Freezer (Cubed Ice AND Ice Bites)
- Ice Bucket with Cover and 1 Scoop
- Produces up to 5.3 lbs ice/day, stores up to 9.9 lbs
- High Efficiency LED Lighting

### Accessories

Water Filter: HAF-QIN

### Warranty

One (1) Year Parts and Labor on Refrigerator  
Two (2) Years Parts and Labor on Ice Maker  
Five (5) Years Parts and Labor on Sealed Refrigeration System Only\*  
Ten (10) Years Parts and Five (5) Years Labor on Digital Inverter Compressor

\*Compressor, evaporator, condenser, drier and connecting tubing.

### Product Dimensions

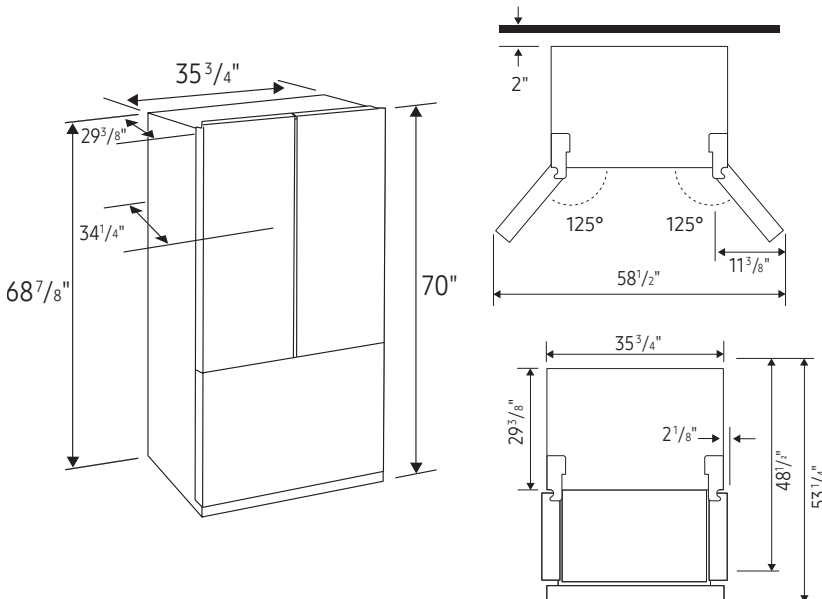
Dimensions (WxHxD with hinges and doors):  
35<sup>3</sup>/<sub>4</sub>" x 70" x 34<sup>1</sup>/<sub>4</sub>"

Dimensions (WxHxD without hinges and door):  
35<sup>3</sup>/<sub>4</sub>" x 68<sup>7</sup>/<sub>8</sub>" x 29<sup>3</sup>/<sub>8</sub>"

### Shipping Dimensions (WxHxD)

Dimensions: 38<sup>1</sup>/<sub>4</sub>" x 75<sup>3</sup>/<sub>4</sub>" x 36<sup>1</sup>/<sub>4</sub>"

### Dimensions



Color	Model #	UPC Code	Product & Shipping Weight (lbs)	
Stainless Steel - All Panels	RF30BB6600QL	887276624419	332.9	357.1
White Glass - All Panels	RF30BB660012	887276639918	343.9	368.2
Custom Panel-Ready	RF30BB6600AP	887276624402	315.3	339.5

# RF30BB6200

SAMSUNG

## Bespoke 3-Door French Door Refrigerator (30 cu. ft.) with AutoFill Water Pitcher



### Signature Features

#### Customizable Door Colors

Customize the design of your refrigerator with changeable door panels. Choose from a variety of colors and two finishes to create a space that fits your style.

#### Extra-large Capacity

With 30 cu. ft. of capacity, this spacious refrigerator is designed for convenience, offering flexibility and organization to store and access all your favorite foods with ease.

#### Dual Ice Maker with Ice Bites

Enjoy your favorite beverage with your choice of ice. Select from cubed ice or Ice Bites that chill your drink faster. Makes up to 5.3 lbs per day, stores up to 9.9 lbs total.

### Bespoke 3-Door French Door Standard Color Models



Stainless Steel - All Panels



White Glass - All Panels



Custom Panel-Ready



### Design

- Customizable Door Colors
- Modern Design
- Recessed Handle

### Technology

- AutoFill Water Pitcher
- Wi-Fi Enabled

### Performance

- Dual Ice Maker with Ice Bites
- 30 cu. ft. Capacity
- Twin Cooling Plus

### Rating



ENERGY STAR® rated:  
695 kWh/yr



ADA Compliant

# RF30BB6200

# SAMSUNG

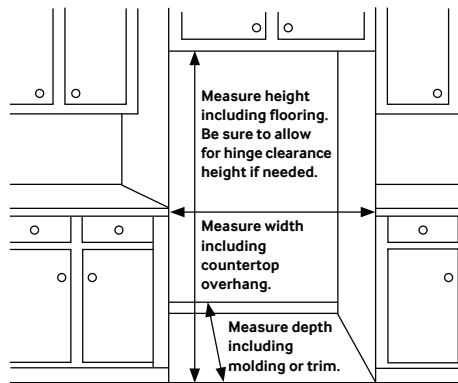
## Bespoke 3-Door French Door Refrigerator (30 cu. ft.) with AutoFill Water Pitcher

### Installation Specifications

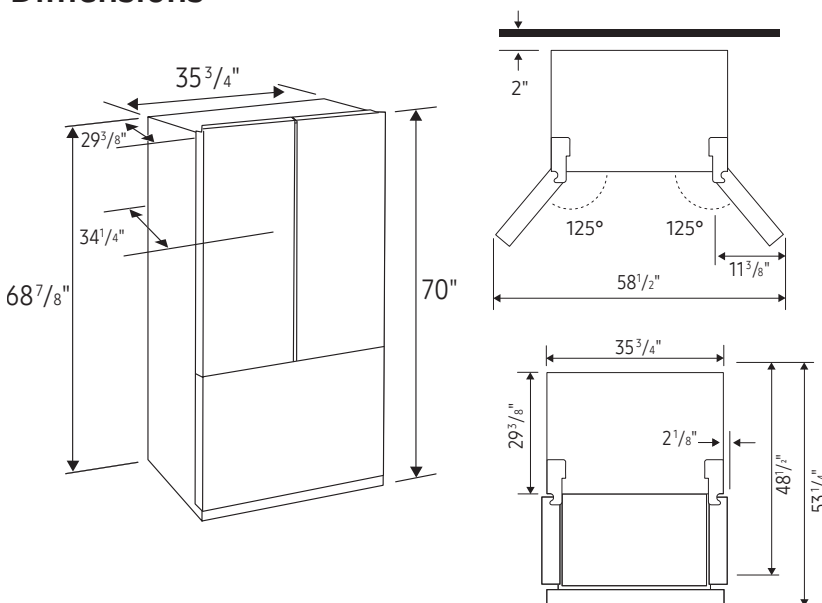
1. Measure the height, width and depth of the opening, making sure to include baseboards, molding tile, countertop overhang, etc. Check to be sure there is enough room to open the door (consider walls, islands or other obstacles when measuring).
2. Refer to illustration below to determine dimensions.
3. Allow 2.5" of clearance on hinge side of refrigerator when installing next to a wall where handle may make contact.
4. Allow 1" minimum clearance at rear for proper air circulation and water/electrical connections. Allow a 3/8" minimum clearance at sides and top for ease of installation.
5. Ensure each door and entryway in the home is wide enough for the refrigerator to be moved through easily.

For optimal usage and ability to open refrigerator doors completely, do not install next to a wall.

Please note: The following dimension and cutout information is for planning purposes only. For complete installation details, consult manual packed with product, or download manual online at [samsung.com](http://samsung.com).



### Dimensions



**Total Capacity: 30.1 cu. ft.**

**Refrigerator: 21.1 cu. ft.**

- 4 Tempered Glass Spill-Proof Shelves
- 2 Clear Drawers, Including Crisper+
- 2 Large Pantry Drawers
- 8 Door Bins
  - Right: 1 Gallon Bin, 3 Regular Bins
  - Left: 1 Gallon Bin, 3 Regular Bins
- Surface Lighting

**Freezer: 9.0 cu. ft.**

- Dual Ice Maker in Freezer (Cubed Ice AND Ice Bites)
- Ice Bucket with Cover and 1 Scoop
- Produces up to 5.3 lbs ice/day, stores up to 9.9 lbs
- High Efficiency LED Lighting

### Accessories

Water Filter: HAF-QIN

### Warranty

One (1) Year Parts and Labor on Refrigerator  
Two (2) Years Parts and Labor on Ice Maker  
Five (5) Years Parts and Labor on Sealed Refrigeration System Only\*  
Ten (10) Years Parts and Five (5) Years Labor on Digital Inverter Compressor

\*Compressor, evaporator, condenser, drier and connecting tubing.

### Product Dimensions

Dimensions (WxHxD with hinges and doors):  
35<sup>3</sup>/<sub>4</sub>" x 70" x 34<sup>1</sup>/<sub>4</sub>"

Dimensions (WxHxD without hinges and door):  
35<sup>3</sup>/<sub>4</sub>" x 68<sup>7</sup>/<sub>8</sub>" x 29<sup>3</sup>/<sub>8</sub>"

### Shipping Dimensions (WxHxD)

Dimensions: 38<sup>1</sup>/<sub>4</sub>" x 75<sup>3</sup>/<sub>4</sub>" x 36<sup>1</sup>/<sub>4</sub>"

Color	Model #	UPC Code	Product & Shipping Weight (lbs)	
Stainless Steel - All Panels	RF30BB6200QL	887276624396	313.1	337.3
White Glass - All Panels	RF30BB620012	887276639901	324.1	348.3
Custom Panel-Ready	RF30BB6200AP	887276624389	295.4	319.7