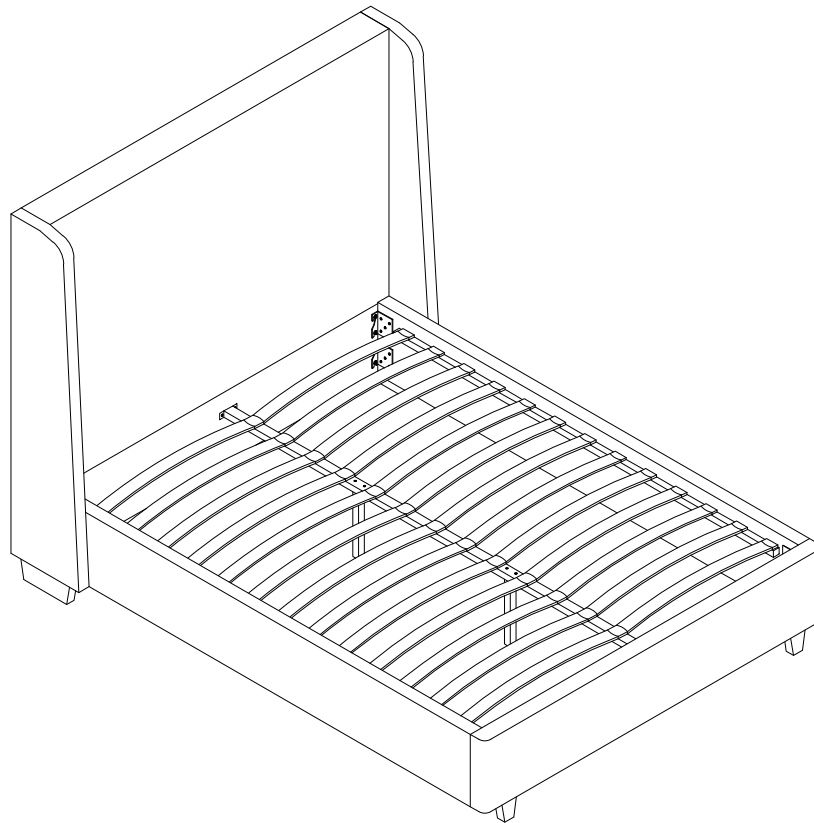


BD006

60" x 80"

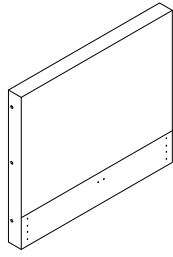


IMPORTANT NOTE

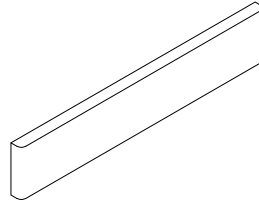
1. PLEASE CHECK THAT ALL PARTS ARE PRESENT BEFORE YOU START THE ASSEMBLY OF YOUR FURNITURE.
2. FOR THE PROTECTION OF YOUR FURNITURE, PLACE ALL PARTS ON A CLEAN AND SMOOTH SURFACE TO PREVENT ANY DAMAGE.
3. DO NOT USE POWER TOOLS TO ASSEMBLE THE BED.
4. PLEASE PERIODICALLY CHECK ALL FITTINGS AND RE-TIGHTEN AS NECESSARY.
5. DO NOT USE THE BED UNLESS ALL BOLTS AND SCREWS ARE FIRMLY SECURED.

PART LIST

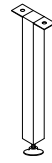
(1) Headboard x 1pc



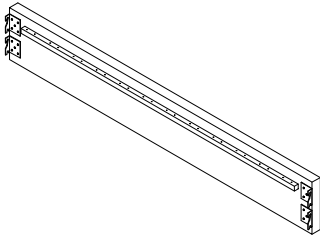
(2) Footboard x 1pc



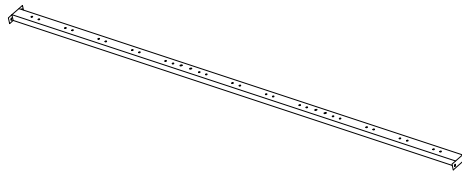
(3) Support Leg x 2pcs



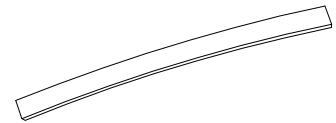
(4) Crossrail x 2pcs



(5) Centre Support Bar x 1pc



(6) Slat x 26pcs



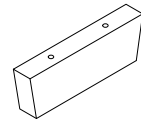
(7) Double Plastic Cap x 13pcs



(8) Single Plastic Cap x 26pcs



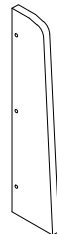
(9) Headboard Wing Leg x 2pcs



(10) Footboard Leg x 2pcs



(11) Headboard Wing (Left) x 1pc

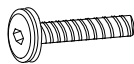


(12) Headboard Wing (Right) x 1pc

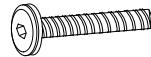


HARDWARE LIST

(A) Bolt M8 x 30mm x 20pcs



(B) Bolt M8 x 40mm x 4pcs



(C) Nut M8 x 13mm x 4pcs



(D) Spring Washer x 16pcs



(E) Flat Washer Ø17 x 8mm x 30pcs



(F) Allen Key M5 x 1pc



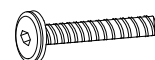
(G) Spanner x 1pc



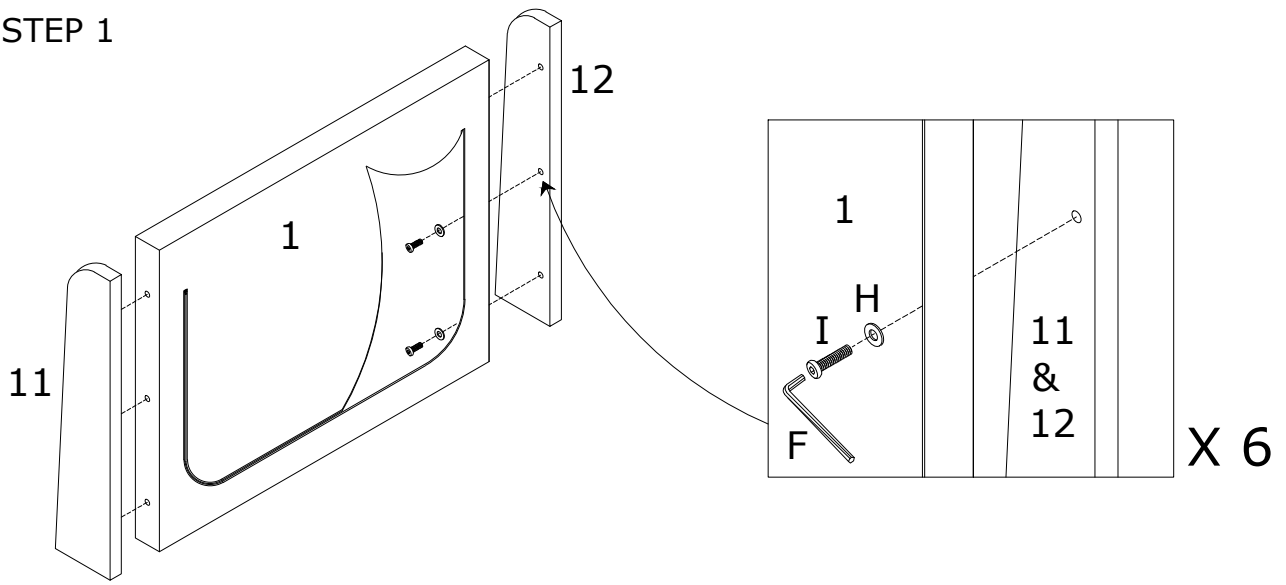
(H) Flat Washer Ø22 x 8mm x 6pcs



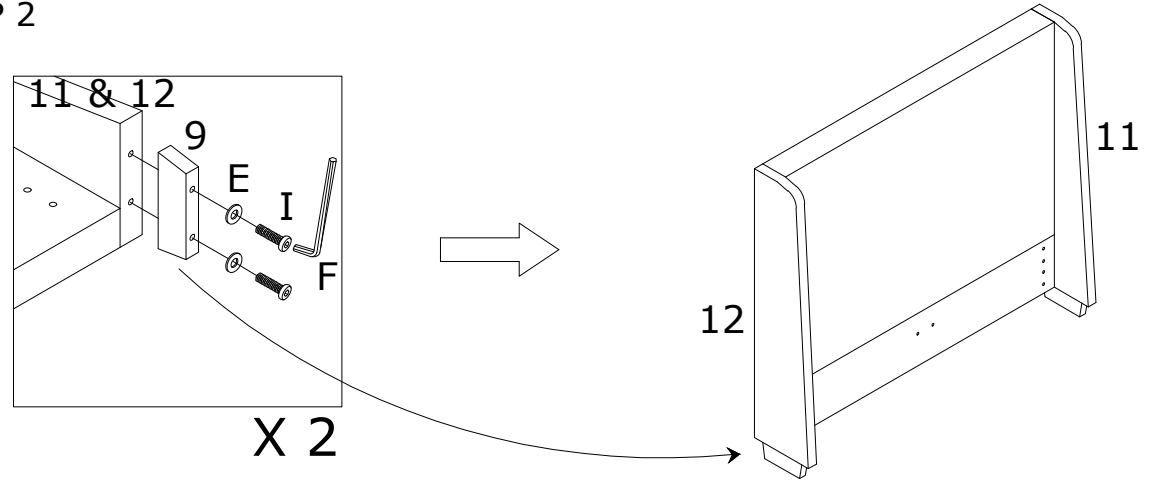
(I) Bolt M8 x 50mm x 12pcs



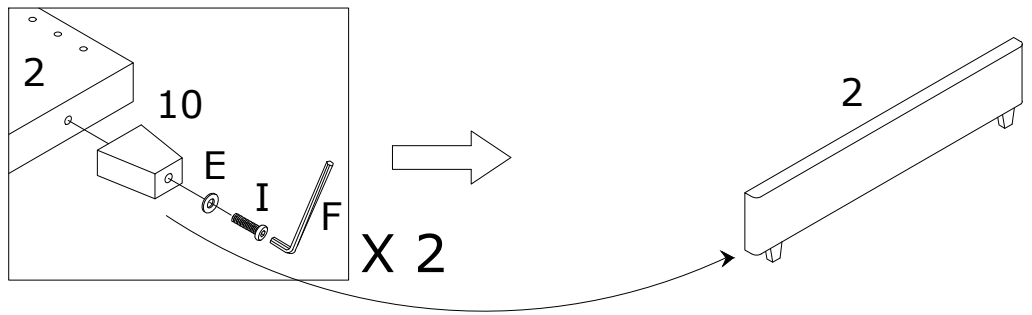
STEP 1



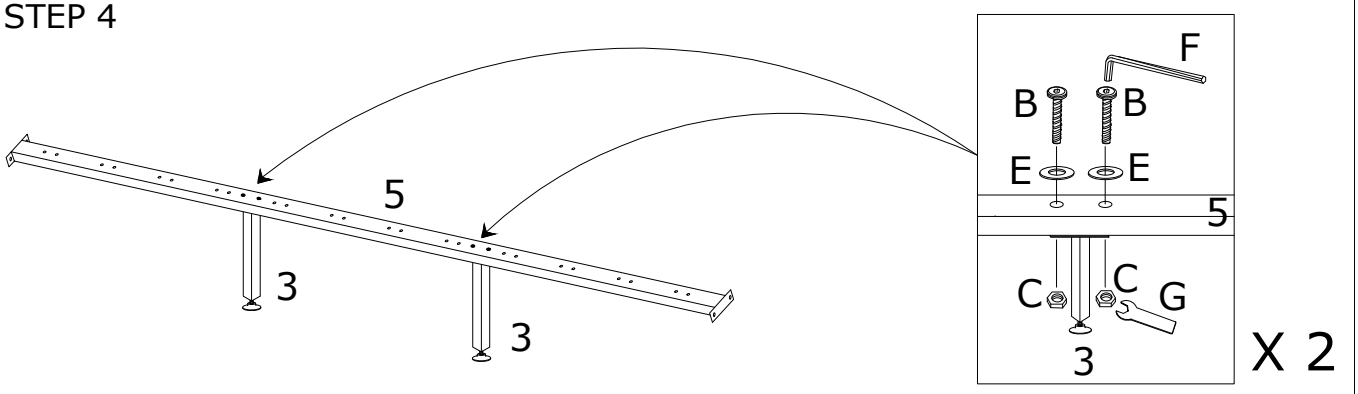
STEP 2



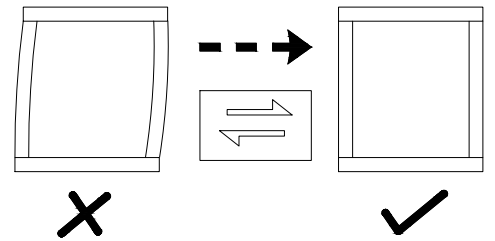
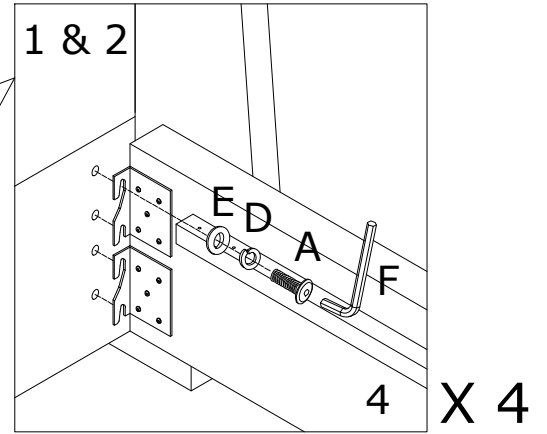
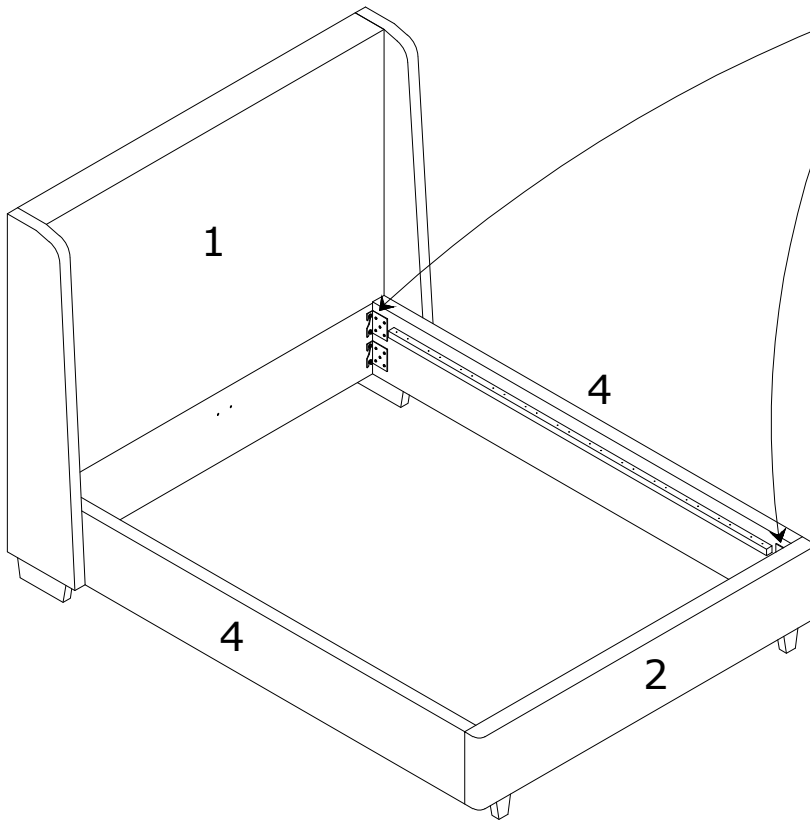
STEP 3



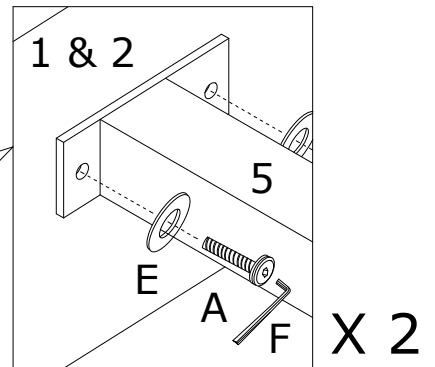
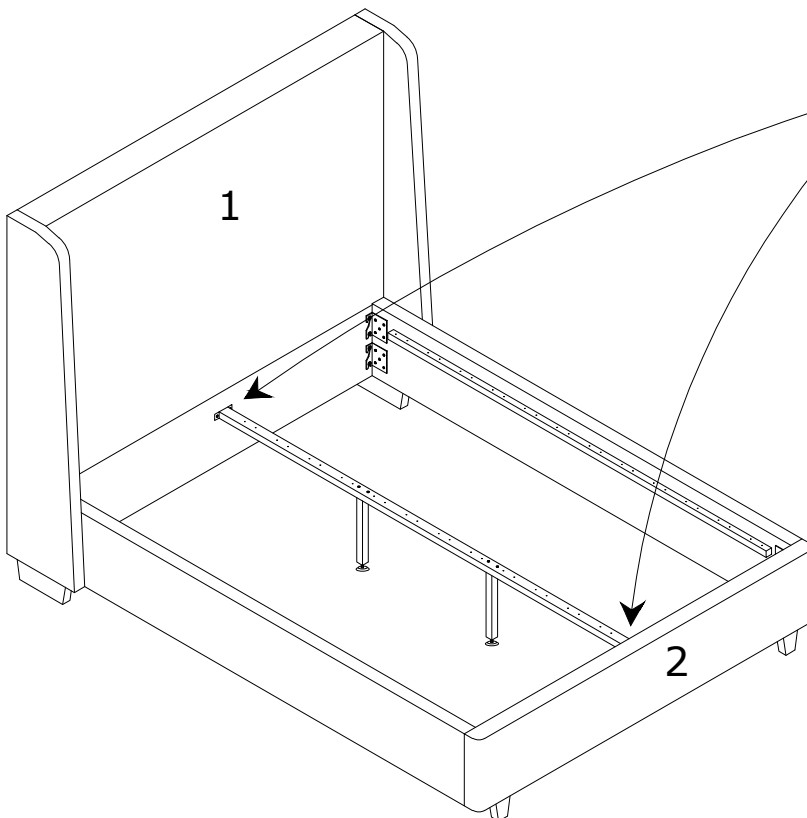
STEP 4



STEP 5



STEP 6



STEP 7

