



Item #723 883

Model #C302H



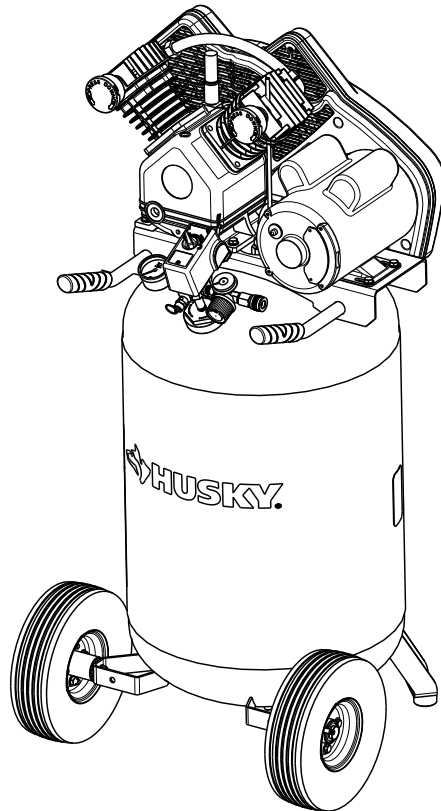
USE AND CARE GUIDE

30-GALLON PORTABLE AIR COMPRESSOR

Questions, problems, missing parts?
Before returning to the store, call
Husky Customer Service
8 a.m. - 6 p.m., EST, Monday - Friday

1-888-43-HUSKY

HUSKYTOOLS.COM



THANK YOU

We appreciate the trust and confidence you have placed in Husky through the purchase of this air compressor. We strive to continually create quality products designed to enhance your home. Visit us online to see our full line of products available for your home improvement needs. Thank you for choosing Husky!





Table of Contents

Safety Information	2	Operation	14
Work Area Safety	3	Preparing for Start-up.....	14
Personal Safety	3	Starting the Compressor.....	15
Moving the Compressor	3	Checking the Safety Valve	15
Air Compressor and Pneumatic Tool Safety	4	Running the Air Compressor	16
Electrical Safety	5	Draining the Tank.....	17
Warranty	7	Maintenance	18
Pre-Operation	8	General Maintenance.....	18
Specifications	8	Oil Maintenance.....	19
Duty Cycle.....	8	Cleaning the Air Filter	20
Package Contents	8	Replacing the Belt.....	20
System Components.....	9	Adjusting the Belt Tension	21
Placement of the Air Compressor	10	Aligning the Pulley and Flywheel.....	22
Breaking in the Pump	11	Torquing the Compressor Head Bolts...23	
Attaching the Hose	12	Care and Cleaning	23
Tool Usage	13	Troubleshooting	24
		Service Parts	26

Safety Information

This manual contains information that is important for you to know and understand. This information relates to protecting your safety and preventing equipment problems. To help you recognize this information, we use the symbols below. Please read the manual and pay attention to these symbols.



DANGER: Indicates an imminently hazardous situation which, if not avoided, will result in death or serious injury.



WARNING: Indicates a potentially hazardous situation which, if not avoided, could result in death or serious injury.



CAUTION: Indicates a potentially hazardous situation which, if not avoided, may result in minor or moderate injury.

NOTICE: Indicates a practice not related to personal injury which, if not avoided, may result in property damage.

Safety Information (continued)

WORK AREA SAFETY

- Keep your work area clean and well lit. Ensure floors are not slippery from wax or dust.
- Operate the air compressor in an open area at least 18 in. (0.5 m) away from any wall or object that could restrict the flow of fresh air to ventilation openings.



WARNING: Do not operate power tools in explosive atmospheres, such as in the presence of flammable liquids, gases, or dust. Power tools create sparks which may ignite the dust or fumes. Keep bystanders, children, and visitors away while operating tools. Distractions can cause you to lose control.



WARNING: This compressor is not equipped for, and should not be used to supply breathing air. Additional equipment would be necessary to properly filter and purify the air to meet minimal specifications for Grade D breathing, as described in Compressed Gas Association Commodity, Specification G 7.1 - 1966, OSHA 29 CFR 1910.134. Compressed Gas Association, 4221 Walney Road, Fifth Floor, Chantilly, VA 20151-2923, (703) 788-2700, www.cganet.com. Any such additional equipment has not been examined and no implication of proper use for breathing air is intended or implied.



CAUTION: Always disconnect the air supply and power supply before making adjustments, servicing a tool, or when a tool is not in use.

PERSONAL SAFETY

- Keep proper footing and balance at all times. Proper footing and balance enables better control of the tool in unexpected situations
- Do not use on a ladder or unstable support.



WARNING: Operating any power tool can result in foreign objects being thrown into your eyes, which can result in severe eye damage. Before beginning operation, always wear safety goggles, safety glasses with side shields, or a full face shield when needed. Always use eye protection marked to comply with ANSI Z87.1.



WARNING: This product contains chemicals known to the State of California to cause cancer and birth defects or other reproductive harm. Wash hands after handling.



WARNING: Use safety equipment. Always wear eye protection with side shields when operating power tools. A dusk mask, non-skid safety shoes, hard hat, or hearing protection must be used for appropriate conditions.



WARNING: Stay alert when operating a power tool. Do not use the tool while tired or under the influence of drugs, alcohol, or medication.



WARNING: Do not wear loose clothing or jewelry. Contain long hair. Keep your hair, clothing, and gloves away from moving parts. Loose clothes, jewelry, or long hair can be caught in moving parts.



WARNING: Never touch any exposed metal parts on compressor during or immediately after operation. The compressor will remain hot for several minutes after operation. Do not reach around protective shrouds or attempt maintenance until the unit has been allowed to cool.



CAUTION: The compressor is too heavy to be lifted by one person. Obtain assistance from others before lifting.

MOVING THE AIR COMPRESSOR

- Grasp the handle of the compressor and tilt the compressor back to rest on the wheels.
- When the location is reached, slowly lower the compressor to the ground. Always store the compressor in a vertical position resting on the rubber bumpers and wheels.
- When transporting the compressor in a vehicle, trailer, etc., make sure the tank is drained and the unit is secured with straps to prevent tipping. Use care when driving to prevent tipping the unit over in the vehicle. Damage can occur to the compressor or surrounding items if the compressor is tipped. Always use two people when lifting and lift from the recommended lifting points. Do not lift by the wheels or shroud.



WARNING: Risk of unsafe operation. Ensure proper footing and use caution when rolling the compressor so that the unit does not tip or cause loss of balance.



CAUTION: The wheels and handle do not provide adequate clearance, stability, or support for pulling the unit up and down stairs or steps. The unit must be lifted or pushed up a ramp.

Safety Information (continued)

AIR COMPRESSOR AND PNEUMATIC TOOL SAFETY

- Keep compressors as far from the spraying area as possible: at least 15 ft. (4.6 m) from the spraying area and all explosive vapors.
- If connected to a circuit protected by fuses, use time-delay fuses with this product.
- Ensure the hose is free of obstructions or snags. Entangled or snarled hoses can cause loss of balance or footing, and may become damaged.
- Use the air compressor only for its intended use. Do not alter or modify the unit from the original design or function. Never weld or drill holes in the air tank.
- Never leave a tool unattended with the air hose attached.
- Do not operate this tool if it does not contain a legible warning label.
- Do not continue to use a tool or hose that leaks air or does not function properly.
- Do not attempt to pull or carry the air compressor by the hose.
- Your tool may require more air consumption than this air compressor is capable of providing.
- Never direct a jet of compressed air toward people or animals.
- Protect your lungs. Wear a face or dust mask if the operation is dusty.
- Do not use this air compressor to spray chemicals. Your lungs can be damaged by inhaling toxic fumes. A respirator may be necessary in dusty environments or when spraying paint.
- This compressor is equipped with a thermal overload protector which will shut off the motor if it becomes overheated.



WARNING: Do not attempt to modify this tool or create accessories not recommended for use with this tool. Any such alteration or modification is misuse and could result in a hazardous condition leading to possible serious personal injury.



CAUTION: Do not use the compressor in an environment that is dusty or otherwise contaminated. Using the air compressor in this type of environment may cause damage to the unit.



CAUTION: Risk of bursting. Do not adjust the regulator to result in output pressure greater than the marked maximum pressure of the attachment. Do not use at pressure greater than the rated maximum pressure of this compressor.



CAUTION: To reduce the risk of electric shock, do not expose the compressor to rain. Store indoors.

Safety Information (continued)

ELECTRICAL SAFETY (EXTENSION CORDS)

- Use only 3-wire extension cords that have 3-prong grounding plugs and 3-pole receptacles that accept the product's plug. Make sure your extension cord is not damaged. When using a power tool at a considerable distance from the power source, use an extension cord heavy enough to carry the current that the product will draw. An undersized extension cord will cause a drop in line voltage, resulting in a loss of power and causing the motor to overheat.
- Use the chart provided below to determine the minimum wire size required in an extension cord. Only round jacketed cords listed by Underwriter's Laboratories (UL) should be used.
- Only use 50 feet or less, round jacketed cords listed by Underwriter's Laboratories (UL).
- When operating a power tool outside, use an outdoor extension cord marked "W-A" or "W". These cords are rated for outdoor use and reduce the risk of electric shock.

Ampere rating (on air compressor data plate)	
	14-16
Cord Length	Wire Size (AWG)
25 ft.	14
50 ft.	12

Used on 12 gauge - 20 amp circuit.
NOTE: AWG=American Wire Gauge



WARNING: When using an extension cord, keep it clear of the working area. Position the cord so that it will not get caught on lumber, tools, or other obstructions while you are working with a power tool. Failure to do so can result in serious personal injury.



WARNING: Check extension cords before each use. If damaged, replace immediately. Never use the air compressor with a damaged cord since touching the damaged area could cause electrical shock resulting in serious personal injury.



WARNING: Improperly connecting the equipment-grounding conductor can result in a risk of electrical shock.



CAUTION: Avoid body contact with grounded surfaces such as pipes, radiators, ranges, and refrigerators. There is an increased risk of electric shock if your body is grounded.



CAUTION: Do not expose power tools to rain or wet conditions. Water entering a power tool will increase the risk of electric shock.



CAUTION: Replace damaged cords/wiring immediately. Damaged cords/wiring increase the risk of electric shock.

NOTICE: Use longer air hoses instead of long extension cords. Your air compressor will run better and last longer.

ELECTRICAL SAFETY (ELECTRICAL CONNECTION)

- This air compressor is powered by a precision built electric motor. It should be connected to a power supply that is 120 volts, 60 Hz, AC only (normal household current).
- Do not operate this tool on direct current (DC). A substantial voltage drop will cause a loss of power and the motor will overheat. If the air compressor does not operate when plugged into an outlet, double check the power supply.

Safety Information (continued)

ELECTRICAL SAFETY (SPEED AND WIRING)

- The no-load speed of this product is approximately 3,450 rpm. This speed is not constant and decreases under a load or with lower voltage.
- For voltage, the wiring in a shop is as important as the motor's horsepower rating. A line intended only for lights cannot properly carry a power tool motor. Wire that is heavy enough for a short distance will be too light for a greater distance. A line that can support one power tool may not be able to support two or three products.

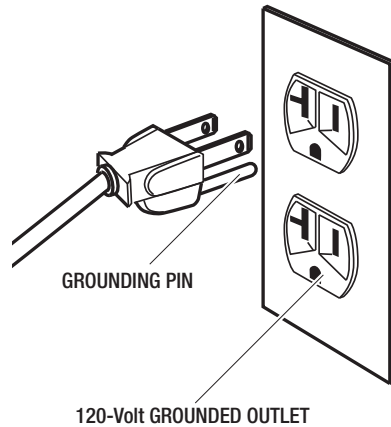
ELECTRICAL SAFETY (GROUNDING INSTRUCTIONS)

- This product must be grounded. In the event of an electrical short circuit, grounding reduces the risk of electric shock by providing an escape wire for the electric current. This product is equipped with a cord having a grounding wire with an appropriate grounding plug. The plug must be plugged into an outlet that is properly installed and grounded in accordance with all local codes and ordinances.



WARNING: Improper installation of the grounding plug may result in a risk of electric shock. When repair or replacement of the cord or plug is required, do not connect the grounding wire to either flat blade terminal. The wire with insulation having an outer surface that is green with or without yellow stripes is the grounding wire.

- Substitution of the signal word "DANGER" for "WARNING" is not prohibited when the risk associated with the product is such that a situation exists which if not avoided will result in death or serious injury.
- Check with a qualified electrician or service personnel if these instructions are not completely understood or if in doubt as to whether the tool is properly grounded.
- Do not modify the plug provided; if it will not fit the outlet, have the proper outlet installed by a qualified electrician.
- This product is for use on a nominal 120-Volt circuit and has a grounding plug similar to the plug shown. Only connect the product to an outlet having the same configuration as the plug. Do not use an adapter with this product.



Pre-Operation

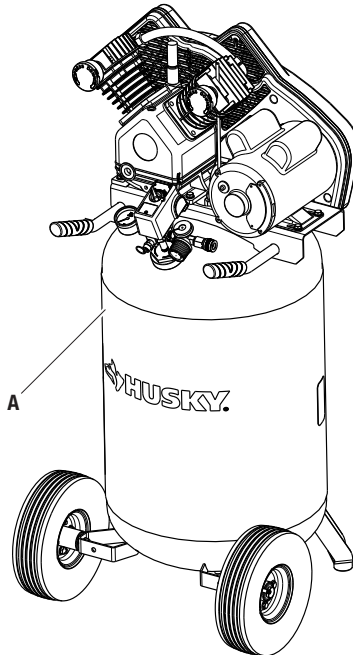
SPECIFICATIONS

Running horsepower	1.6 HP
Air tank capacity	30 gal.
Air pressure	155 PSI max.
Air delivery	6.2 SCFM at 40 PSI 5.3 SCFM at 90 PSI
Tank Fill-up	7.5 minutes
Lubrication	Oil lube
Input	120V, 60 Hz, Single phase AC only, 15 Amps.
Minimum branch circuit requirement	15 A
Fuse type	Time delay
Net weight	148 lbs.

DUTY CYCLE

This air compressor pump is capable of running continuously. However, to prolong the life of your air compressor, it is recommended that a 50% average duty cycle be maintained; that is, the air compressor pump should not run more than 30 minutes in any given hour.

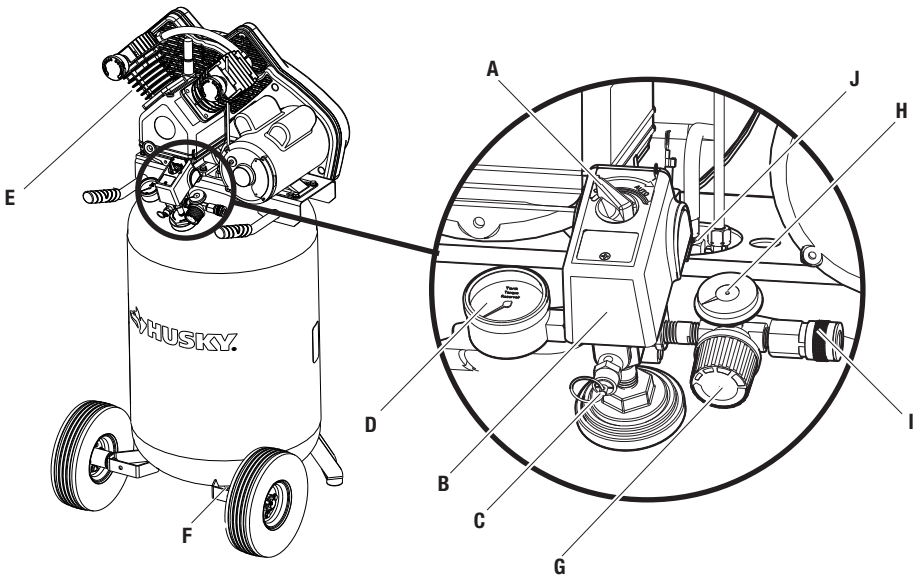
PACKAGE CONTENTS



Part	Description	Quantity
A	Air Compressor Unit (fully assembled)	1

Pre-Operation (continued)

SYSTEM COMPONENTS



Part	Description
A	Auto(1)/Off(0) Switch: Turn this switch in the “Auto (1)” position to provide automatic power to the pressure switch and “Off (0)” to remove power at the end of each use.
B	Pressure Switch: The pressure switch automatically starts the motor when the air tank pressure drops below the factory set “cut-in” pressure. It stops the motor when the air tank pressure reaches the factory set “cut-out” pressure.
C	Safety Valve: If the pressure switch does not shut off the air compressor at its “cut-out” pressure setting, the safety valve will protect against high pressure by “popping out” at its factory set pressure (slightly higher than the pressure switch “cut-out” setting).
D	Tank Pressure Gauge: The tank pressure gauge indicates the reserve air pressure in the tank.
E	Air Compressor Pump: Compresses air into the air tank. Working air is not available until the compressor has raised the air tank pressure above that required at the air outlet.
F	Drain Valve: The drain valve is located at the base of the air tank and is used to drain condensation at the end of each use.
G	Regulator: Valve used to ensure that the tank pressure never reaches unsafe levels. It also allows the user to adjust the pressure coming out of the tank to match what is needed for the task.
H	Pressure Regulator Gauge: The gauge that indicates the amount of pressure that the regulator is providing to the tool.
I	Quick Connects: Fittings that are designed to accept a hose that allows pressure to be released for tool usage.
J	Check Valve: When the air compressor is operating, the check valve is “open”, allowing compressed air to enter the air tank. When the air compressor reaches “cut-out” pressure, the check valve “closes”, allowing air pressure to remain inside the air tank.

Pre-Operation (continued)

Part	Description
K	<p>Thermal Overload Reset: (not shown) This motor has a manual thermal overload protector. If the motor overheats for any reason, the overload protector will shut off the motor. The motor must be allowed to cool down before restarting. To restart:</p> <ol style="list-style-type: none">1. Place the Auto/Off switch in the "Off" position.2. Allow the motor to cool.3. Depress the red reset button on the motor.4. Place the Auto/Off switch in the "Auto" position to restart the motor.
L	<p>Pressure Release Valve: (not shown) The pressure release valve located on the side of the pressure switch, is designed to automatically release compressed air from the compressor head and the outlet tube when the air compressor reaches "cut-out" pressure or is shut off. The pressure release valve allows the motor to restart freely. When the motor stops running, air will be heard escaping from this valve for a few seconds. No air should be heard leaking when the motor is running or after the unit reaches "cut-out" pressure.</p>

PLACEMENT OF THE AIR COMPRESSOR



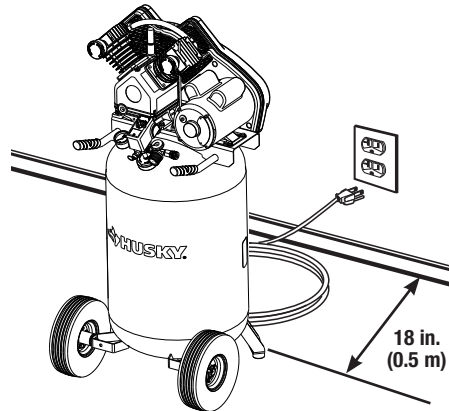
WARNING: If any parts are damaged or missing do not operate this product until the parts are replaced. Failure to heed this warning could result in serious personal injury.



CAUTION: Do not use in an environment that is dusty or otherwise contaminated. Using the air compressor in this type of environment may cause damage to the unit.

NOTICE: Long lengths of electrical wiring could cause power loss to the motor.

- Place the air compressor in a clean, dry, and well ventilated area.
- The air compressor must be positioned at least 18 in. (0.5 m) away from the wall or other obstructions that will interfere with the flow of air.
- Locate the air compressor as close to the main power supply as possible to avoid using long lengths of electrical wiring.
- The air filter must be kept clear of obstructions which could reduce the air flow to the air compressor.



Pre-Operation (continued)

BREAKING IN THE PUMP



NOTE: Risk of property damage. Serious damage may result if the following break-in instructions are not closely followed.

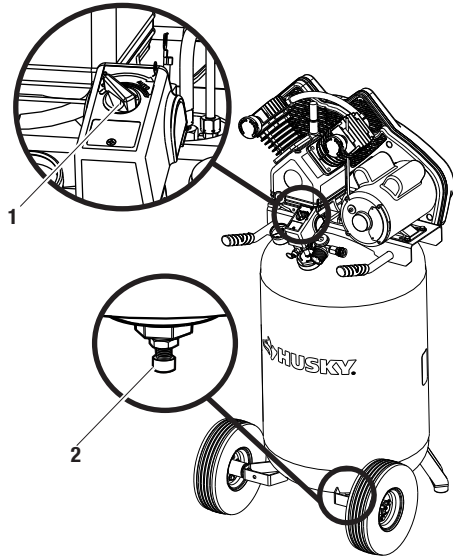


NOTE: Minor leaks can cause the air compressor to overwork, resulting in premature breakdown or inadequate performance.

This procedure is required before the air compressor is put into service and when the check valve or a complete compressor pump has been replaced.

- Make sure the Auto/Off switch (1) is in the “Off” position.
- Check the oil level in the pump. See the *Maintenance* section for instructions.
- Check all the wiring. Make sure the wires are secure at all terminals and connections. Make sure all contacts move freely and are not obstructed.
- Open the drain valve (2) fully to permit air to escape and prevent air pressure build-up in the air tank during the break-in period.
- Move the Auto/Off switch (1) to the “Auto” position. The compressor will start.
- Run the air compressor for 20 minutes. Make sure the drain valve (2) and all air lines are open so there is only a minimal air pressure build-up in the tank.
- Check all air line fittings and connections/piping for air leaks by applying a soap solution. Correct if necessary.
- Check for excessive vibration. Readjust or shim the air compressor feet, if necessary.
- After 20 minutes, close the drain valve (2). The air receiver will fill to “cut-out” pressure and the motor will stop.

The air compressor is now ready for use.



Pre-Operation (continued)

ATTACHING THE HOSE



WARNING: Do not attempt to modify this product or create accessories not recommended for use with this product. Any such alteration or modification is misuse and could result in a hazardous condition leading to possible serious personal injury.



WARNING: Do not attach the air chuck or other tools to the open end of the hose until start-up has been completed.



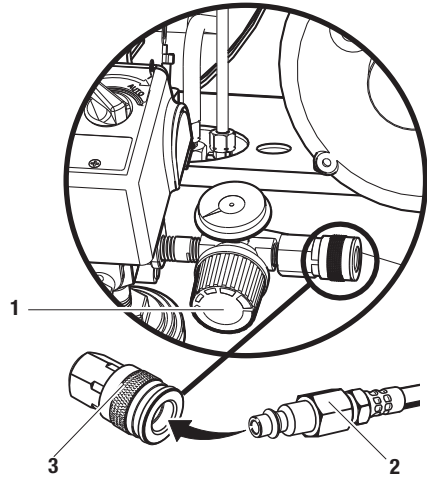
WARNING: Do not allow familiarity with products to make you careless. Remember that a careless fraction of a second is sufficient to inflict serious injury.



WARNING: Always wear safety goggles or safety glasses with side shields when operating power tools. Failure to do so could result in objects being thrown into your eyes resulting in possible serious injury.

The compressor is assembled at the factory and ready for use. Check all components to ensure secure assembly. (such as: rubber feet, wheels, handle, quick connects, gages, safety valve, air filter, drain valve, etc.)

- Make sure the power to the air compressor is disconnected.
- Apply thread tape to the threaded connections of the hose (not included), and attach the quick coupler to the hose using a wrench (not included).
- Apply the thread tape to the threaded connections of the male plug, and attach the male plug to the hose using a wrench.
- Rotate the pressure regulator knob (1) fully counterclockwise.
- Insert the hose adapter end of the air hose (2) into the female coupler end in the air compressor (3).




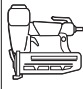

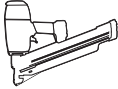
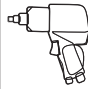
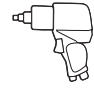

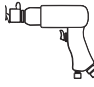

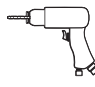





Pre-Operation (continued)

TOOL USAGE

● = Continuous

○ = Intermittent

○ = Not Recommended

Tool	Inflation	Finishing nailing		Framing/ Roofing	Bolting			
								
Recommended Tool Use	○	○	○	○	○	○	○	
Tool	Cutting/Drilling			Surface Prep		Painting	HVLP Painting	Grease Gun
								
Recommended Tool Usage	○	○	○	○	○	○	○	○

Operation

1 Preparing for start-up



WARNING: Risk of unsafe operation. Firmly grasp air hose in hand when installing or disconnecting to prevent hose whip.



WARNING: Risk of unsafe operation. Do not use damaged or worn accessories.



WARNING: Risk of bursting. Too much air pressure causes a hazardous risk of bursting. Check the manufacturer's maximum pressure rating for air tools and accessories. The regulator outlet pressure must never exceed the maximum pressure rating.

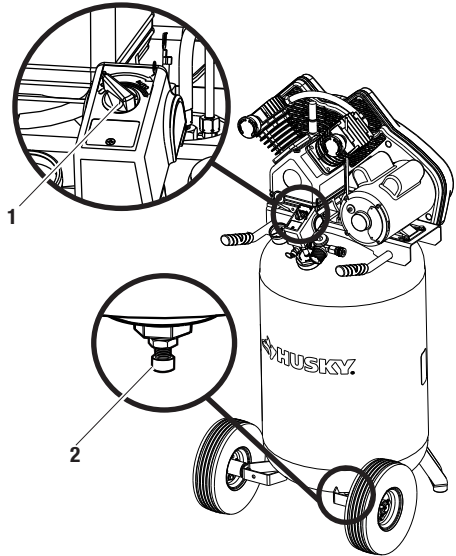


CAUTION: Risk of unsafe operation. Compressed air from the unit may contain water condensation and oil mist. Do not spray unfiltered air at an item that could be damaged by moisture. Some air tools and accessories may require filtered air. Read the instructions for the air tools and accessories.



NOTE: A regulator **MUST** be installed when using accessories rated at less than 150 psi. The hose or accessory will require a quick connect plug if the air outlet is equipped with a quick connect socket.

- Place the AUTO (1) / OFF (0) switch (1) to the off position.
- Close the drain valve (2).
- Visually inspect air lines and fittings for leaks.



Operation (continued)

2 Starting the compressor

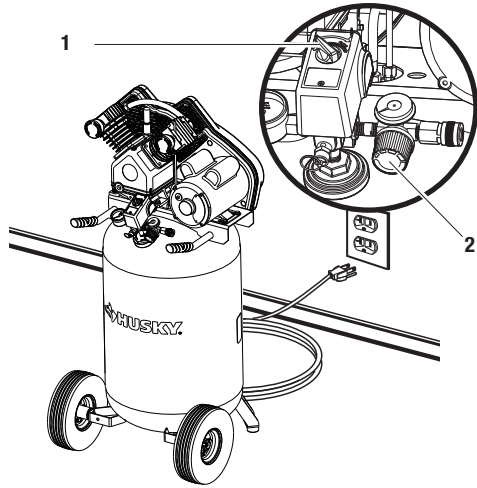


WARNING: Risk of bursting. If any unusual noise or vibration is noticed, stop the air compressor immediately and have it checked by a trained service technician.



NOTE: When using the regulator and other accessories, refer to the manufacturer's instructions.

- Plug the power cord into a proper receptacle.
- Turn the AUTO (1) / OFF (0) switch (1) to the auto position, and allow the tank pressure to build. The motor will stop when the tank pressure reaches "cut-out" pressure.
- Adjust the regulator (2) to a PSI setting that is needed for your application - be sure it is within the safety standards required to perform the task.



3 Checking the safety valve

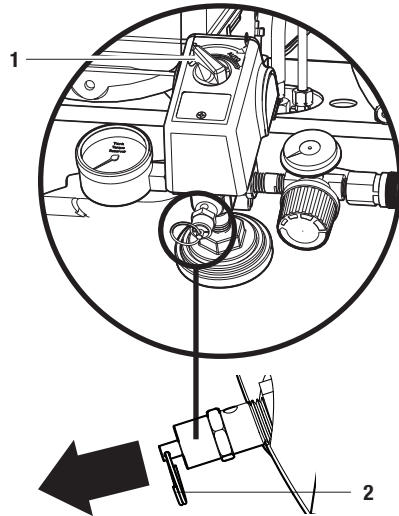


DANGER: Do not tamper with the safety valve. Items loosened from this device could fly up and hit you. Failure to heed this warning could result in death or serious personal injury. The safety valve automatically releases air when the receiver pressure exceeds the preset maximum. Check the valve before each day of use by pulling the ring by hand.



WARNING: If air leaks after releasing the safety valve ring or if the valve is stuck, do not use the air compressor until the safety valve has been replaced. Using the air compressor in this condition could result in serious personal injury.

- Set the AUTO (1) / OFF (0) switch (1) to the on position, and wait for the tank to fill. The compressor automatically shuts off when the pressure reaches the preset maximum.
- Set the AUTO (1) / OFF (0) switch (1) to the off position.
- Pull the ring on the safety valve (2) for 20 seconds to release the air.
- Release the ring. Air stops escaping at about 20 psi. If air continues to escape after releasing the safety valve ring, discontinue use and seek service before using the air compressor again.



Operation (continued)

4 Running the air compressor



WARNING: Always ensure the switch is in the OFF position and regulator pressure gauge reads zero before changing air tools or disconnecting the hose from the air outlet. Failure to do so could result in possible serious personal injury.

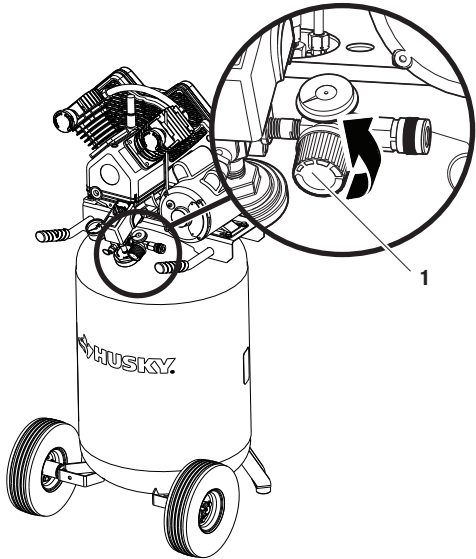


WARNING: Your tool may require more air consumption than this air compressor is capable of providing. Check tool manual to avoid damage to the tool or risk personal injury.



NOTE: Always use the minimum amount of air flow with the pressure regulator knob. Using a higher pressure than needed will drain air from the tank more rapidly and cause the unit to cycle on more frequently.

- Rotate the pressure regulator knob (1) to the desired line pressure. Turning the knob clockwise (+) increases air pressure at the outlet; turning counterclockwise (-) reduces air pressure at the outlet.
- If using an inflation accessory, control the amount of air flow with the pressure regulator knob (1). Turning the knob fully counterclockwise will completely stop the flow of air.
- When finished, always drain the tank and unplug the unit. Never leave the unit plugged in and/or running unattended.



Operation (continued)

5 Draining the tank



WARNING: Risk of unsafe operation. Air tanks contain high pressure air. Keep face and other body parts away from outlet of drain. Use eye protection [ANSI Z87.1 (CAN/CSA Z94.3)] when draining, as debris can be kicked up into face.



WARNING: Risk from noise. Use ear protection (ANSI S12.6 (S3.19), as air flow noise is loud when draining.



WARNING: Risk of bursting. Water will condense in the air tank. If not drained, water will corrode and weaken the air tank causing a risk of air tank rupture.



NOTE: All compressed air systems generate condensate that accumulates in any drain point (e.g., tanks, filter, after-coolers, dryers). This condensate contains lubricating oil and/or substances which may be regulated and must be disposed of in accordance with local, state, and federal laws and regulations.

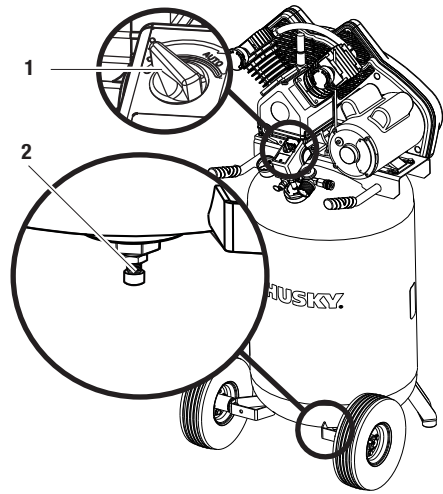


NOTE: If drain valve is plugged, release all air pressure. The valve can then be removed, cleaned, then reinstalled.



NOTE: Risk of property damage. Drained water from air tank may contain oil and rust which can cause stains.

- Set the AUTO (1) / OFF (0) switch (1) to the off position.
- Slowly bleed the air from the compressor tank by pulling the safety valve to allow the pressure to escape from the tank until the pressure is approximately 20 psi.
- Drain water from the tank by opening the drain valve (2) on the bottom of the tank.
- After the water has been drained, close the drain valve (2). The air compressor can now be stored.



Maintenance

GENERAL MAINTENANCE

- Condensate forms in the tank when there is humidity in the air. Depending on the environmental conditions, drain the condensate daily and/or every hour. For instructions, see *Draining the tank* section of the manual.
- The safety valve automatically releases air when the receiver pressure exceeds the preset maximum.
- Inspect the tank annually for rust, pin holes, or other imperfections that could cause it to become unsafe.
- Avoid using solvents when cleaning plastic parts. Most plastics are susceptible to damage from various types of commercial solvents and may be damaged by their use.
- Use clean cloths to remove dirt, dust, oil, grease, etc.



WARNING: When servicing, use only identical Husky replacement parts. Use of any other parts may create a hazard or cause product damage.



WARNING: Always release all pressure, disconnect from power supply, and allow unit to cool to the touch before cleaning or making repairs on the air compressor.



WARNING: Do not at any time let brake fluids, gasoline, petroleum-based products, penetrating oils, etc., come in contact with plastic parts. Chemicals can damage, weaken or destroy plastic which may result in serious personal injury. Electric tools used on fiberglass material, wallboard, spackling compounds, or plaster are subject to accelerated wear and possible premature failure because the fiberglass chips and grindings are highly abrasive to bearings, brushes, commutators, etc. Consequently, we do not recommend using this tool for extended work on these types of materials. However, if you do work with any of these materials, it is extremely important to clean the tool using compressed air.

Maintenance (continued)

CHECKING THE OIL



WARNING: Drain the tank to release air pressure before removing the oil fill cap or oil drain plug.



CAUTION: Overfilling with oil will cause premature air compressor failure. Do not overfill.

NOTICE: Risk of property damage. Use air compressor oil only. Multi-weight automotive engine oils like 10W30 should not be use in air compressors. They leave carbon deposits on critical components, thus reducing performance and compressor life.

- The oil level should be to the middle of the sight glass (3).
- If needed remove the oil fill plug (1) and slowly add oil until it reaches the middle of the sight glass.



NOTE: Use 30W compressor oil or a heavy duty SAE 30W, non-detergent, SF grade or better oil. Do not use multi-weight automotive engine oils, as they will reduce compressor life. Under extreme winter condition use SAE-10 weight oil.

CHANGING THE OIL

- Remove the oil fill plug (1).
- Remove the oil drain plug (2) and drain the oil into a suitable container.
- Replace the oil drain plug (2) and tighten securely.
- Slowly add compressor oil until it reaches the middle of the sight glass (3).

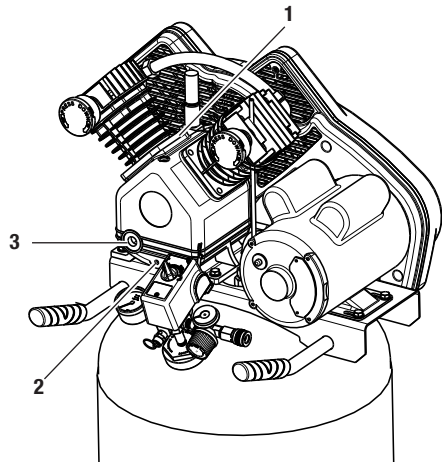


NOTE: Crankcase oil capacity is approximately 10.6 fluid ounces (313,5 ml).



NOTE: When filling the crankcase, the oil flows very slowly into the pump. If the oil is added too quickly, it will overflow and appear to be full.

- Replace the oil fill plug (1) and tighten securely.

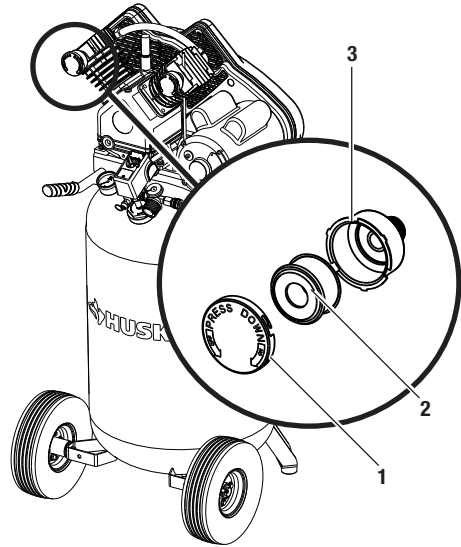


Maintenance (continued)

CLEANING THE AIR FILTER

From time to time, the air filter needs to be removed and cleaned.

- Turn the air compressor to the OFF position (0).
- Unplug the air compressor.
- Unsnap the air filter cover (1) to remove.
- Remove the air filter (2) from the air filter housing (3).
- Blow compressed air through the air filter for 10-15 seconds.

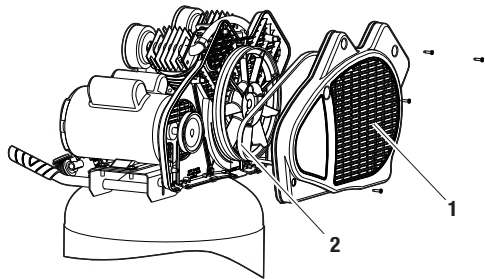


REPLACING THE BELT



WARNING: Serious injury or damage may occur if parts of the body or loose items get caught in moving parts. Never operate the unit with the belt guard removed. The belt guard should be removed only when the air compressor power is disconnected.

- Turn the air compressor off, lock out the power supply, and relieve all air pressure from the air tank.
- Remove the four screws from the belt guard (1). The front belt guard can now be lifted up and away from the unit.
- Mark the pump position on the saddle.
- Loosen the motor mounting screws and slide the motor toward the air compressor.
- Remove the belt (2) and replace with a new one.
- See *Adjusting the Belt Tension* before tightening the motor mounting screws.



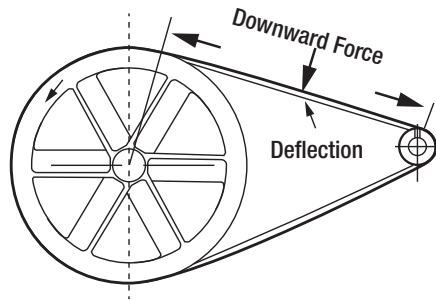
Maintenance (continued)

ADJUSTING THE BELT TENSION



NOTE: Once the engine pulley has been moved from its factory set location, the grooves of the flywheel and pulley must be aligned to within 1/16 in. (1.6mm) to prevent excessive belt wear. Verify the alignment by performing the following pulley and flywheel alignment.

- Slide the motor into the original position, line the motor up with the mark made earlier on the saddle.
- Tighten the two outside motor mounting screws enough to hold the motor in place for checking the pulley and flywheel alignment.
- The belt should deflect 1/2 in. (12.7 mm) at midway between the pulley and the flywheel when a five-pound (2.26 kg.) weight is applied at the midway point.
- When proper belt tension is achieved, tighten all four motor mounting screws. Torque to 15-20 ft-lbs. (20-27Nm).

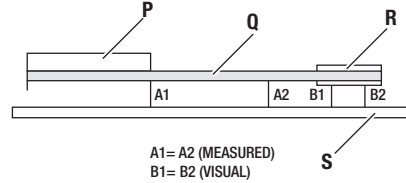


Maintenance (continued)

ALIGNING THE PULLEY AND FLYWHEEL

The air compressor flywheel and motor pulley must be in-line (in the same plane) within 1/16 in. (1.6 mm) to assure belt retention within the flywheel belt grooves. To check the alignment, perform the following steps:

- Turn the air compressor off, lock out the power supply, and relieve all air pressure from the air tank.
- Remove the belt guard.
- Place a straightedge (S) against the outside of the flywheel (P) and the motor drive pulley (R).
- Measure the distance between the edge of the belt (Q) and the straightedge at points A1 and A2 in the figure. The difference between measurements should be no more than 1/16 in. (1.6 mm).
- If the difference is greater than 1/16 in. (1.6 mm), loosen the set screw holding the motor drive pulley (R) to the shaft and adjust the pulley position on the shaft until the A1 and A2 measurements are within 1/16 in. (1.6 mm) of each other.
- Tighten the motor drive pulley set screw.
- Visually inspect the motor drive pulley to verify that it is perpendicular to the drive motor shaft. Points B1 and B2 of the figure should appear to be equal. If they are not, loosen the setscrew of the motor drive pulley and equalize B1 and B2, using care not to disturb the belt alignment previously performed.
- Retighten the motor drive pulley setscrew. Torque to 145–165 in. lbs. (16.4–20.3 Nm).
- Reinstall the belt guard.





Maintenance (continued)

TORQUING THE COMPRESSOR HEAD BOLTS

The air compressor pump head bolts should be kept properly torqued. Check the torques of the head bolts after the first five hours of operation.

- Torque to 14-16 ft-lbs. (19–21.7 Nm).

Care and Cleaning

- Drain the air tank of moisture after operation.
- When not in use, store the compressor in a cool, dry place.
- Disconnect the air hose and hang open ends down to allow any moisture to drain.
- Protect the electrical cord and air hose from damage (such as being stepped on or run over). Wind them loosely around the compressor handle.



Troubleshooting

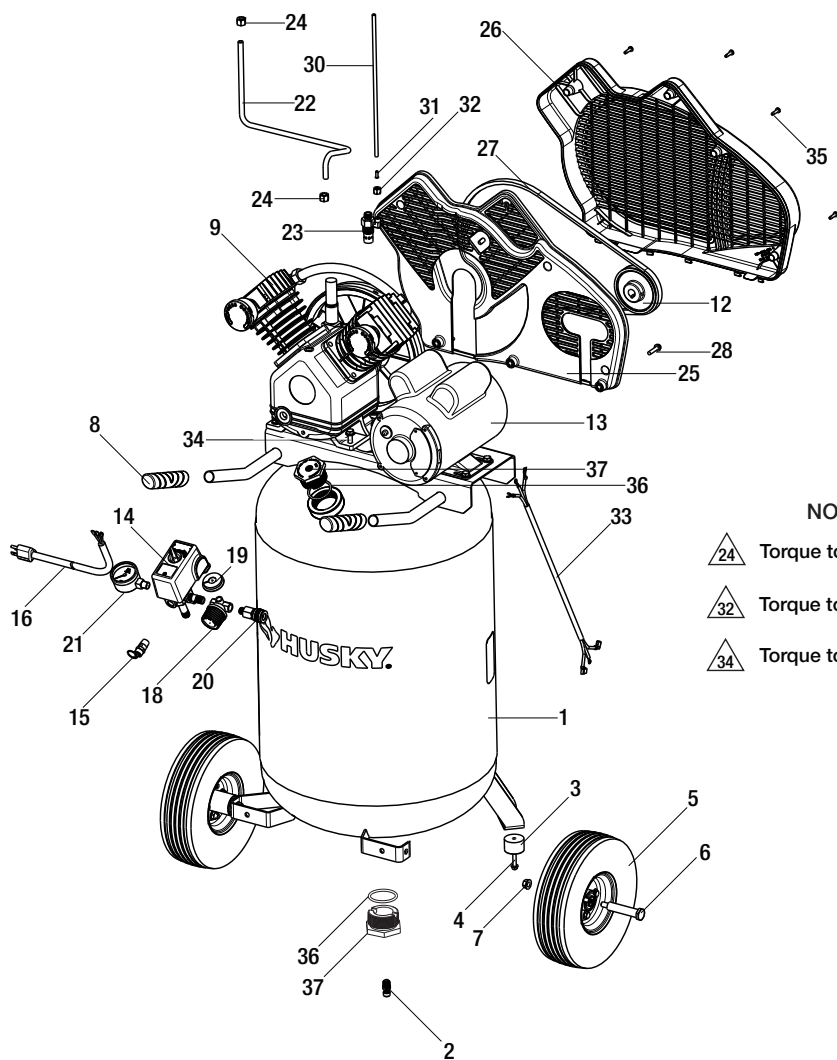
Problem	Possible Cause	Solution
The compressor does not run.	<input type="checkbox"/> There is a loss of power or the motor is overheated.	<input type="checkbox"/> Check for proper use of extension cord.
	<input type="checkbox"/> There is no power to the unit.	<input type="checkbox"/> Check to be sure the unit is plugged in.
	<input type="checkbox"/> The circuit breaker has tripped or a fuse has blown at the main power source.	<input type="checkbox"/> Check the fuse/breaker.
	<input type="checkbox"/> The thermal overload protector is actuated.	<input type="checkbox"/> Turn the air compressor OFF (0).
		<input type="checkbox"/> Unplug air compressor and wait until compressor cools down.
		<input type="checkbox"/> Plug the air compressor into an approved outlet.
		<input type="checkbox"/> Depress the red reset button on the motor.
<input type="checkbox"/> Turn the air compressor to the AUTO position (I).		
<input type="checkbox"/> The pressure switch is bad.	<input type="checkbox"/> Bring the compressor to a service center.	
<input type="checkbox"/> The compressor has reached automatic shutoff pressure.	<input type="checkbox"/> Release the air from the tank until the compressor restarts automatically.	
The motor hums while running slowly, or it doesn't run at all.	<input type="checkbox"/> There is low voltage from the power source.	<input type="checkbox"/> Call an electrician.
	<input type="checkbox"/> The wrong gauge wire or length of extension cord is being used.	<input type="checkbox"/> Check for proper gauge wire and cord length.
	<input type="checkbox"/> There is a shorted or open motor wiring.	<input type="checkbox"/> Bring the compressor to a service center.
	<input type="checkbox"/> There is a defective check valve or unloader.	<input type="checkbox"/> Bring the compressor to a service center.
The fuses blow or circuit breaker trips repeatedly.	<input type="checkbox"/> The incorrect fuse type is being used.	<input type="checkbox"/> Check for the proper fuse.
		<input type="checkbox"/> Use a time-delay fuse. Disconnect other electrical appliances from the circuit or operate the compressor on its own branch circuit.
	<input type="checkbox"/> The wrong gauge wire or length of extension cord is used.	<input type="checkbox"/> Check for the proper gauge wire and cord length.
<input type="checkbox"/> There is a defective check valve or unloader.	<input type="checkbox"/> Bring the compressor to a service center.	

Troubleshooting (continued)


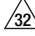
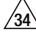
Problem	Possible Cause	Solution
The thermal overload protector cuts out repeatedly.	<input type="checkbox"/> There is low voltage from the power source.	<input type="checkbox"/> Call an electrician.
	<input type="checkbox"/> There is a lack of proper ventilation, or the room temperature is too high.	<input type="checkbox"/> Move the compressor to a well-ventilated area.
	<input type="checkbox"/> The wrong gauge wire or length of extension cord is being used.	<input type="checkbox"/> Check for proper gauge wire and cord length.
The air receiver pressure drops when the compressor shuts off.	<input type="checkbox"/> The connections (fittings, tubing, etc.) are loose and leaking.	<input type="checkbox"/> Check all connections with a soap and water solution and tighten.
	<input type="checkbox"/> The drain valve is loose or open.	<input type="checkbox"/> Tighten the drain valve.
	<input type="checkbox"/> The check valve is leaking.	<input type="checkbox"/> Bring the compressor to a service center.
There is excessive moisture in the discharge air.	<input type="checkbox"/> There is excessive water in the air tank.	<input type="checkbox"/> Drain the tank.
	<input type="checkbox"/> The compressor is working under a high humidity environment.	<input type="checkbox"/> Move the compressor to an area of less humidity; use an air line filter.
The compressor continuously runs.	<input type="checkbox"/> The pressure switch is defective.	<input type="checkbox"/> Bring the compressor to a service center.
	<input type="checkbox"/> An excessive amount of air is being used.	<input type="checkbox"/> Decrease the air usage; the compressor is not large enough for the tool's requirement.
The air output is lower than normal.	<input type="checkbox"/> The inlet valves are broken.	<input type="checkbox"/> Bring the compressor to a service center.
	<input type="checkbox"/> The connections (fittings, tubing, etc.) are loose and leaking.	<input type="checkbox"/> Tighten the connections.

Service Parts

C302H, AIR COMPRESSOR



NOTES:

-  Torque to 55-100 in/lbs
-  Torque to 35-65 in/lbs
-  Torque to 15-20 lb-ft/lbs

Service Parts (continued)

C302H, AIR COMPRESSOR

Item Number	Description	Part Number
1	Tank 30G Vp Black	E106042
2	Valve Drain .25Npt	E106644
3	Bumper Rubber Foot	E107323
4	.250-20 X 1.50 Screw	E106660
5	Wheel 10in Pneumatic	E107324
6	Bolt Shoulder .375-16 X 3.40	E107325
7	Nut .375-16 Hex	E106640
8	Grip Handle	E107326
9	Pump V-Twin	E108131
9B	Filter ASM	E107327
9C	Head	E108138
9D	Valve Plate Assy	E108160
9E	Gasket, Kit of 3	E108141
9F	Head Bolt, Kit of 4	E108144
9G	Flywheel	E108146
9H	Flywheel Bolt	E108148
9I	Flywheel Washer	E108150
9J	Flywheel Lock Washer	E108151
9K	Oil Sightglass	E108152
9L	Breather Plug	E108153
9M	Oil Plug	E108154
12	Pulley A-Sec 3.750D X 5/8 in. Bore	E107328
13	Motor 115 Volt	E106044
13A	Start Capacitor	E106035
13B	Run Capacitor	E106036
13C	Start Capacitor Cover	E106037
13D	Run Capacitor Cover	E106038
14	Switch Press 4 Port 125-155 PSI	E108271
15	Valve Safety	E106004
16	Assy Cord Power	E107331
18	Regulator	E107332
19	Gauge .125 Backmount	E107333
20	Quick Connect	E107334
21	Gauge .25 Side Mount	E106005

Service Parts (continued)

C302H, AIR COMPRESSOR

Item Number	Description	Part Number
22	Tube Outlet	E107335
23	Valve Check	E107336
24	Assy Nut Sleeve 3/8	E105998
25	Beltguard Inner	E106045
26	Beltguard Outer	E106046
27	Belt A-Section A44	E107337
28	Screw .250-20 X .75, Kit of 3	E108095
30	Tube Press Rel	E107338
31	Brass Insert	E107339
32	Assy Nut Sleeve 1/4	E107340
33	Cord Interconnect	E107341
34	Screw 5/16-18 X .75, Kit of 4	E109227
35	Screw #10-14 Plastite	E106646
-	Label Warning	E106631
-	Label Hot Surface Label	E106012



NOTE: Any part number field without a number listed is not available. Descriptions are provided for reference only.



Questions, problems, missing parts? Before returning to the store call
Husky Customer Service
8 a.m. - 6 p.m., EST, Monday-Friday

1-888-43-HUSKY

HUSKYTOOLS.COM

Retain this manual for future use.

Document Number: E109204

05/20/2015

