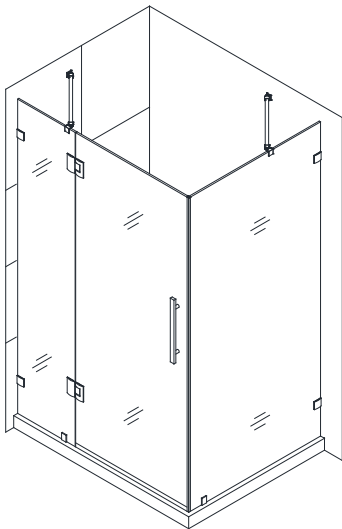


## QUATRA LUX 32" x 46" / 34" x 46"

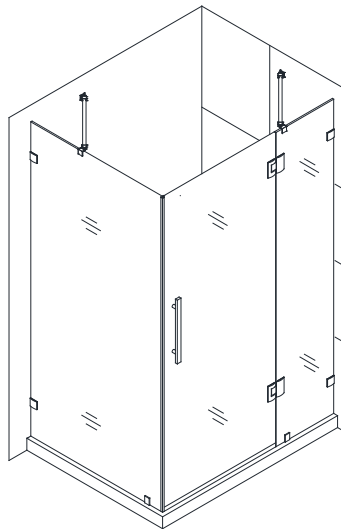
### SHOWER ENCLOSURE INSTALLATION INSTRUCTIONS

#### IMPORTANT

DreamLine® reserves the right to alter, modify or redesign products at any time without prior notice. For the latest up-to-date technical drawings, manuals, warranty information or additional details please refer to your model's web page on [DreamLine.com](http://DreamLine.com)



Right-hand return panel



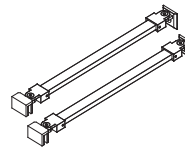
Left-hand return panel

#### Quatra Lux with Support Bars

##### MODEL #s

SHEN-1332460-##

SHEN-1334460-##

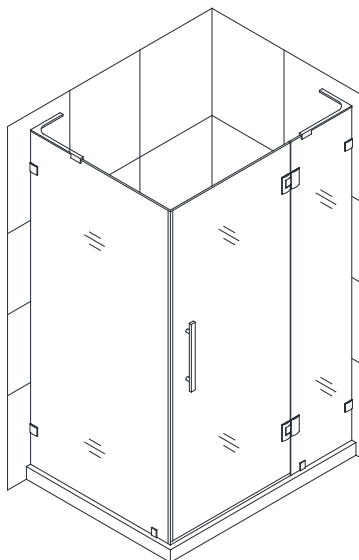
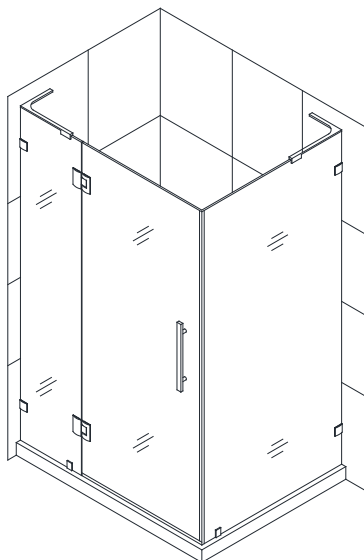
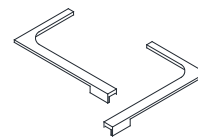


#### Quatra Lux with L-Bars™

##### MODEL #s

SHEN-1332461-##

SHEN-1334461-##



##=finish  
 01- Chrome  
 04- Brushed Nickel  
 06- Oil Rubbed Bronze  
 09- Satin Black



#### Questions?

Please Call **DreamLine Customer Support: 1-855-831-2126**  
 Hours of Operation M-F 8AM - 7PM EST and Saturday 9AM - 5PM EST

[Support@DreamLine.com](mailto:Support@DreamLine.com)



For more information about DreamLine® Shower Doors, Tub Doors & Enclosures, please visit [DreamLine.com](http://DreamLine.com)

## **Table of Contents**

<b>Section title</b>	<b>Page #</b>
Preparation	3
Tools	4
Enclosure Diagram	5-6
Parts List	7-8
Installation steps	9-19
Support Bar installation	12
L-Bar installation	13-15
Hinge Installation	16
Vinyl Seals	17-18
Adjustable Hinge Features	20
Product maintenance	21



**This model is treated with DreamLine's exclusive ClearMax™ Glass technology. This is a specially formulated coating that prevents the build up of soap and water spots.**

**Install the surface with the ClearMax™ label towards the inside of the shower. Please note that depending on the model, the glass may be coated on either one or both surfaces.**

**For best results, squeegee the glass after each use and dry with a soft cloth.**

# Preparation

1. Prior to installation, examine all boxes and packages for shipping damage and compare the piece count with the packing slip. After opening all boxes and packages read this introduction carefully. Check that all of the necessary parts are included in the package by checking off the components on the "Detailed Diagram of Shower Door Components". If the unit has been damaged, has a finishing defect, or has missing parts, please contact our customer support department within **3 business days** of the delivery date. **Please note that DreamLine® will not replace any damaged products or missing parts free of charge after 3 business days or if the product has been installed.** Contact DreamLine® if you have any questions, and please provide an order number, job name or other proof of purchase to help identify the original order.
2. **Please note that you should consult your local building codes with questions on installation compliance standards. Building and plumbing codes may vary by location, and DreamLine® is not responsible for code compliance standards for your project and will not accept any returns.**
3. If this unit is going to be installed in a new construction, please install all of the required plumbing and drainage before installing the shower. Use a competent and licensed (if required by local code) plumber for all plumbing installation
4. Please make sure that prior to beginning the installation, the surfaces are leveled and solid and will be able to support the total weight of the unit. Also make sure the walls are at right angles. Irregular installation surface level, radius corners or improper angle of side walls will result in serious problems for your installation. Note that some adjustments and drilling will be necessary during the installation process.
5. Please protect all primary surfaces of the product during installation. Never set the glass down directly onto a tile floor. Leave corner protectors in place until necessary to remove them. Always use a piece of wood or cardboard to protect the bottom edge and corners of the glass prior to and during installation.
6. This unit must be installed upon a finished threshold and against finished walls.
7. **This model does NOT have any adjustment for out of plumb conditions. Verify that your walls are plumb before proceeding with the installation.**
8. **This model requires that you drill into the threshold for proper installation.**
9. **This model is offered in two styles with either Support Bars or L-Bars™. Follow the proper steps to complete the installation based on the model ordered (see note on page #9).**
10. This model requires a minimum of **1-1/2"** of flat threshold space for installation.
11. The installation of this product requires two installers.
12. **Professional installation recommended.**



**NOTE:** This enclosure is reversible for right or left-hand return panel installation. The right-hand return panel installation is shown as an example throughout this manual. For the left-hand return panel installation, simply begin on the opposite wall and reverse the orientation of the steps shown.

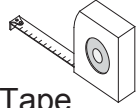


**NOTE: Do Not** attach the handle to the door glass until instructed. **Do Not** attempt to lift the door glass with the handle as this may result in damage to the glass and/or serious personal injury. Use a professional grade glass suction cup and an assistant when handling heavy glass.

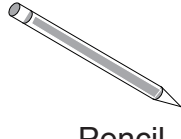
## Tools



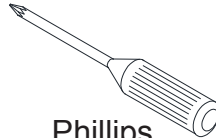
Level



Tape Measure



Pencil



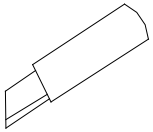
Phillips Screwdriver



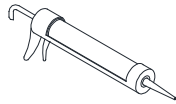
Drill bit (D=5/16")



Drill bit (D=1/8")



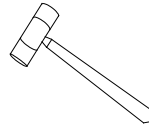
Razor Knife



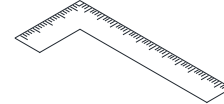
Silicone



Power Drill



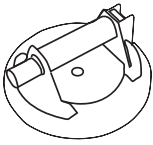
Hammer



Carpenter's Square



Wood Shims (13/16")



Professional grade Glass suction cup

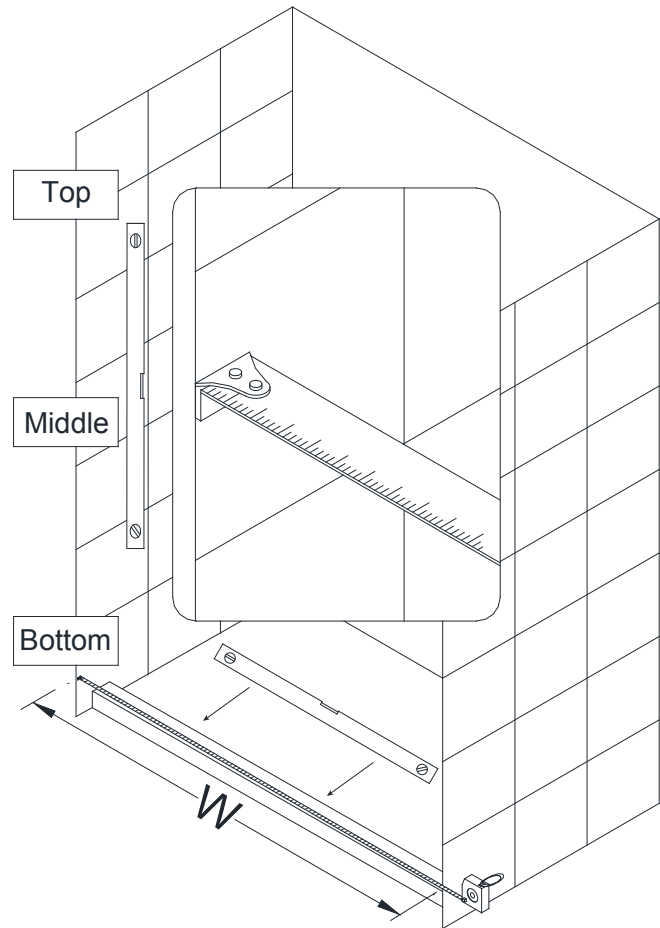
**Tip:** Measure the finished opening before proceeding with the installation to be sure that the correct model size has been ordered.

**Tip:** Set screw gun clutch to low setting when installing screws and bolts to prevent stripping the heads.

**Tip:** Prior to installation, cover the shower/tub drain with tape to prevent losing screws or small parts.

**NOTE:** Unpack your unit carefully and inspect it. Lay it out and identify all parts using the detailed diagram and packing list in this manual as a reference. Before discarding the carton, check for small hardware bags that may have fallen to the bottom of the box. If any parts are damaged or missing, please contact DreamLine® for replacement. The shipping boxes may contain extra parts not used in your model configuration.

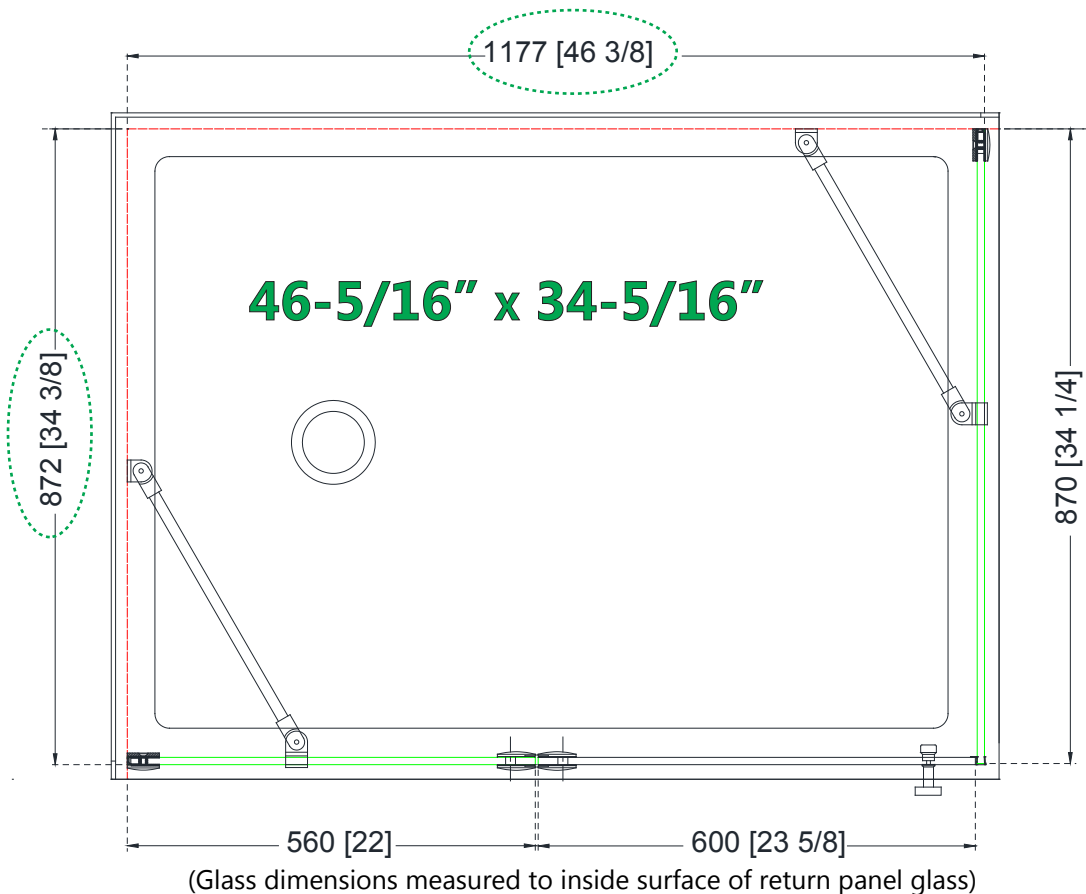
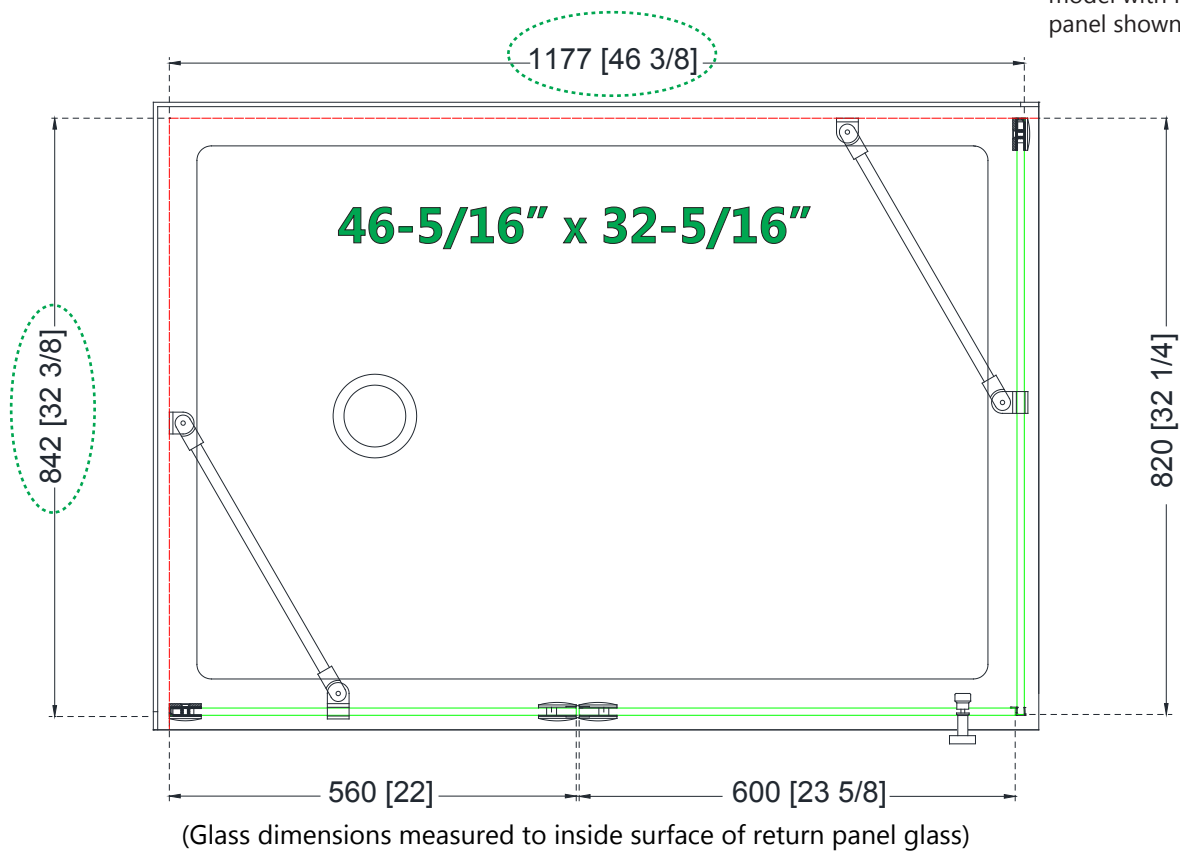
**NOTE:** Retain these installation instructions for future reference.



# SHOWER ENCLOSURE PLAN

(Outside dimensions of installed enclosures shown with support bars)

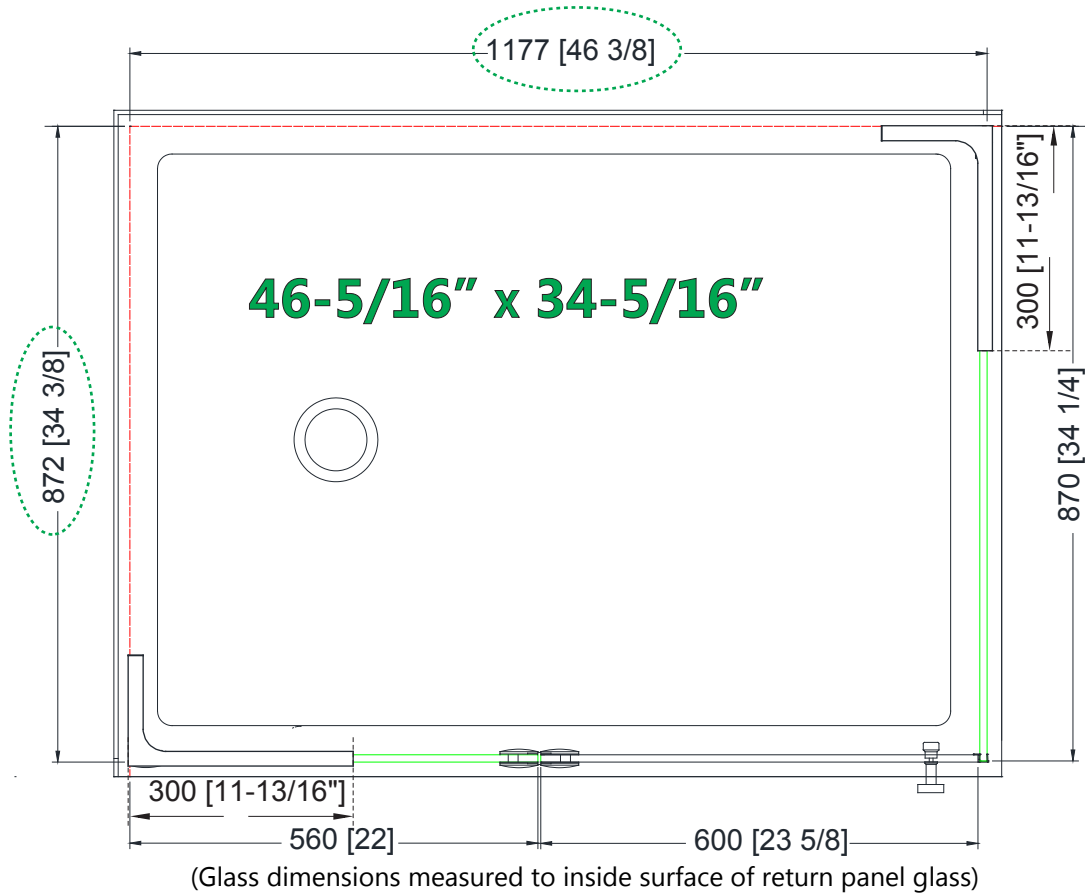
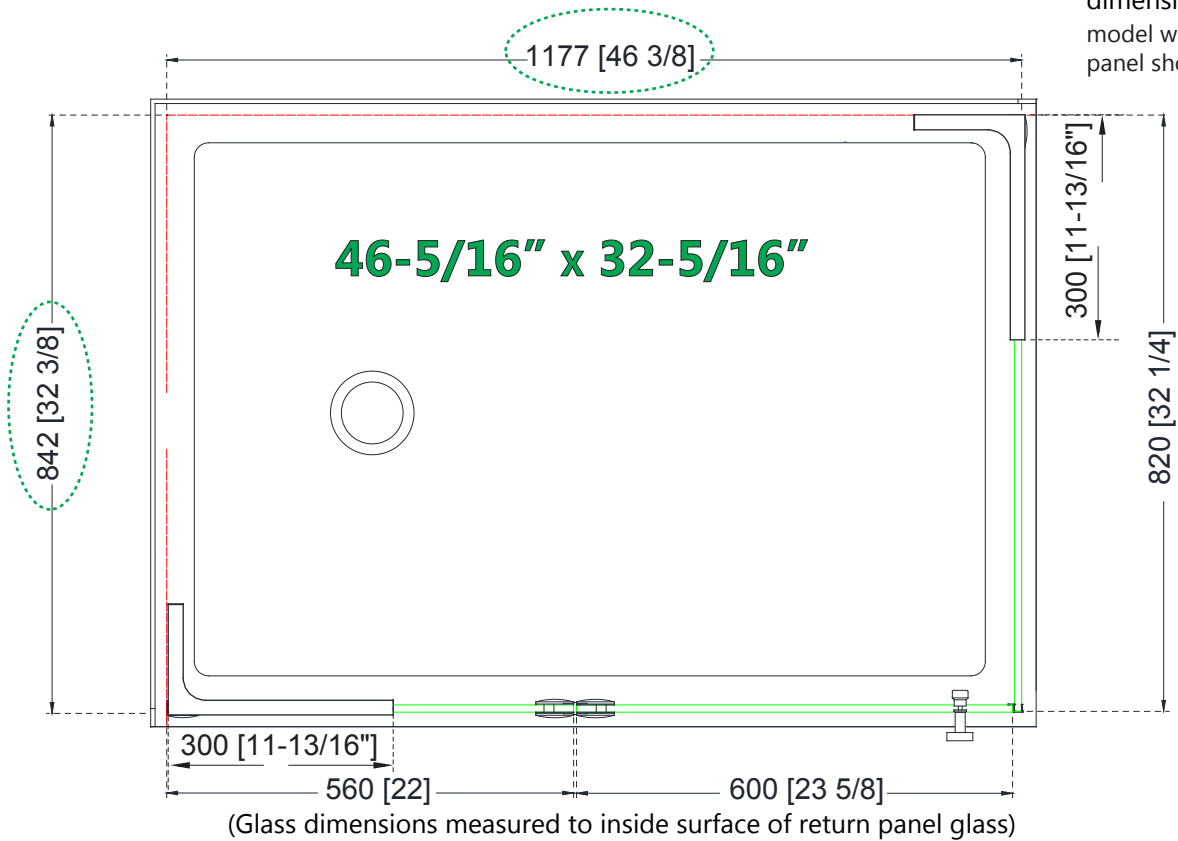
dimensions: mm [in"]  
model with Right-hand return panel shown as an example



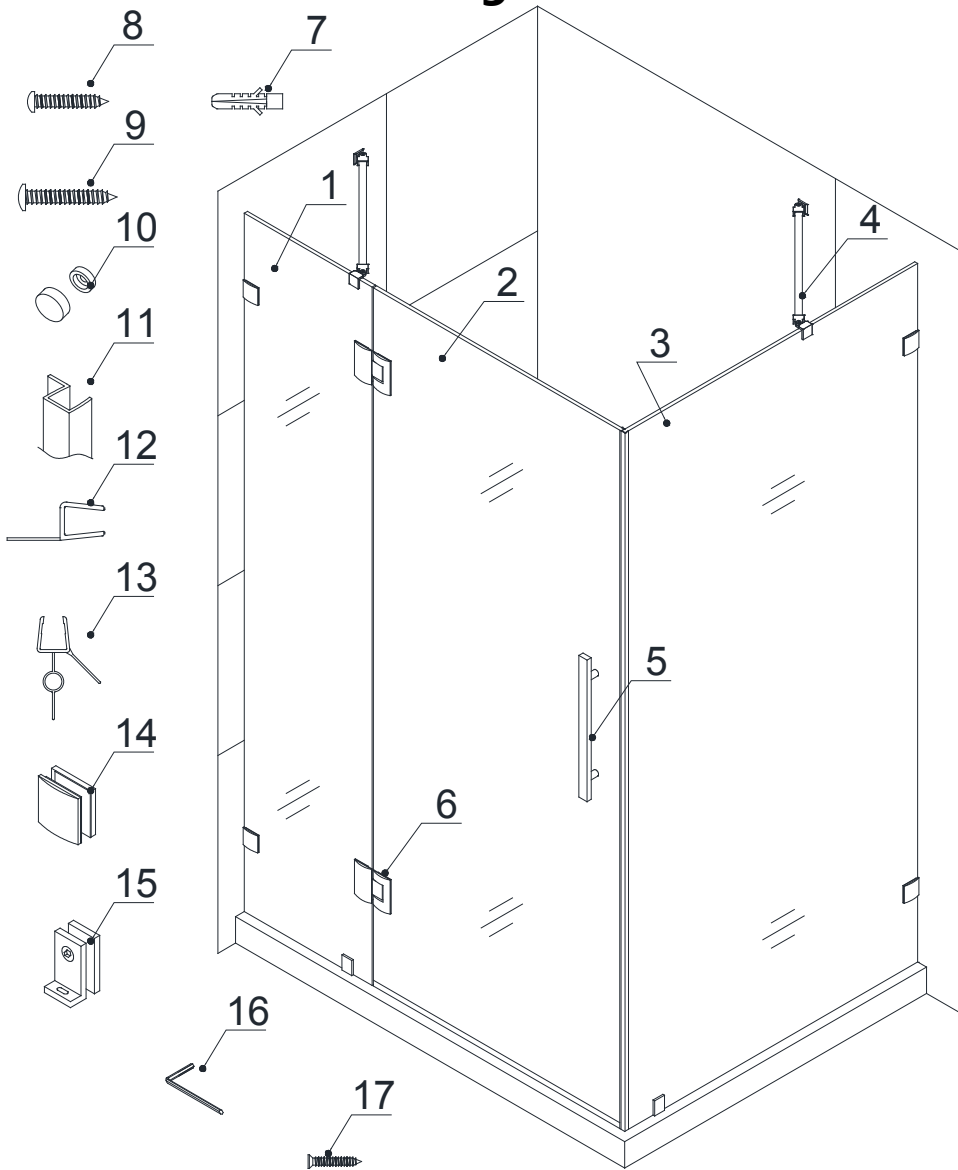
# SHOWER ENCLOSURE PLAN

(Outside dimensions of installed enclosures shown with L-Bars)

dimensions: mm [in"]  
model with Right-hand return panel shown as an example



# Detailed Diagram of shower door components



## Quatra Lux with Support Bar

### MODEL #s

SHEN-1332460-##

SHEN-1334460-##

with Hardware box:

SHEN-AC1321-##



**The glass surface  
with the ClearMax™  
label must be  
installed to face  
inside of the shower**

## Parts List

PART#	DESCRIPTION	QTY	PART#	DESCRIPTION	QTY
01	Hinge Panel glass	1pc	10	Decorative cover w/ washers	2pcs
02	Door Glass	1pc	11	Side anti-water strip	1pc
03	Return Panel glass	1pc	12	Flanged anti-water strip	1pc
04	Support bar	2pcs	13	Bottom anti-water strip	1pc
05	Handle	1pc	14	Wall bracket	4pcs
06	Hinge	2pcs	15	Bottom bracket	2pcs
07	Wall anchor	6pcs	16	4mm hex wrench	1pc
08	Pan Head screw ST4.2x25	2pcs	17	Countersunk screw ST4.2x40	2pcs
09	Truss Head screw ST4.2x55	4pcs			



# Detailed Diagram of shower door components

**Quatra Lux with L-Bar**

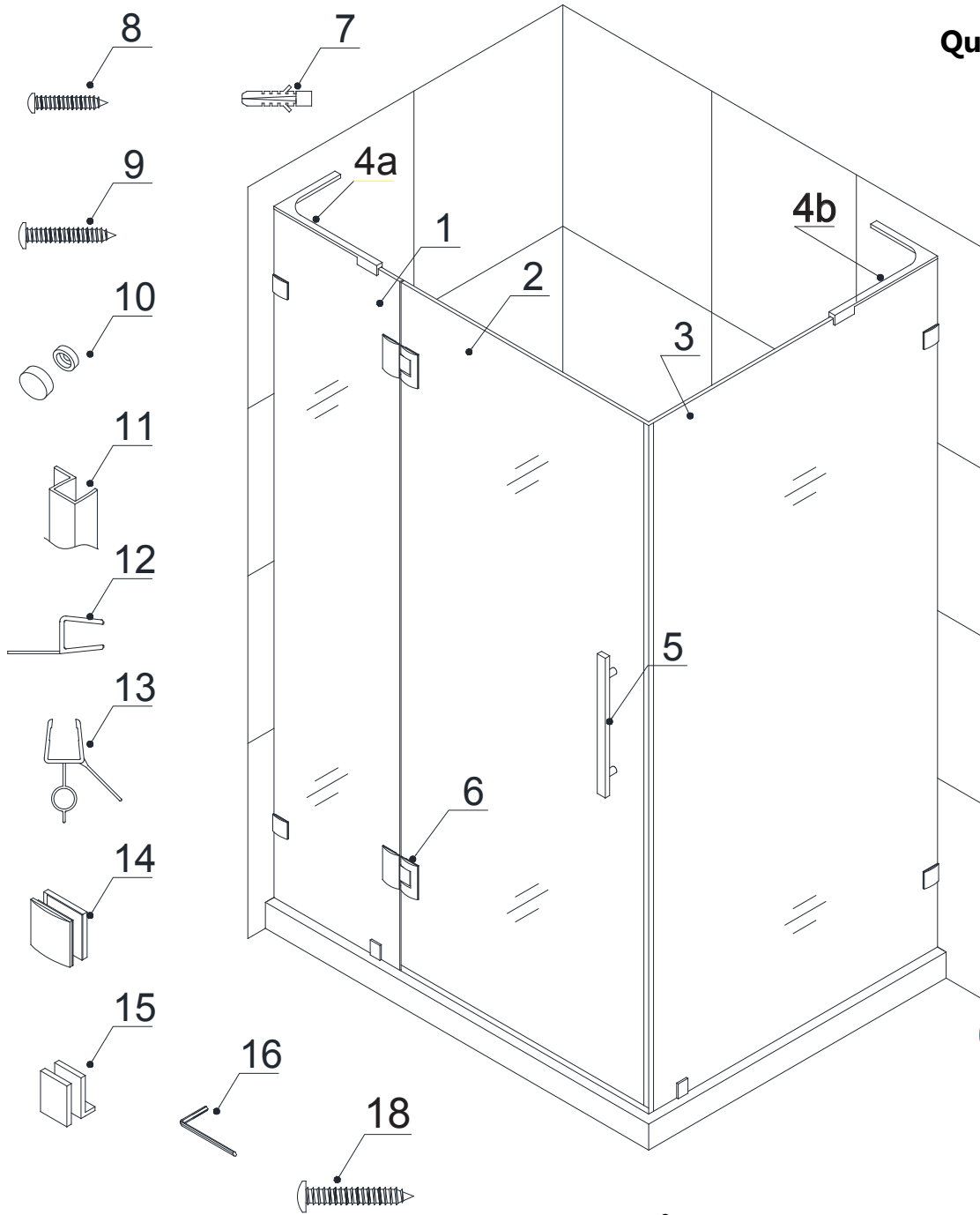
**MODEL #s**

SHEN-1332461-##

SHEN-1334461-##

with Hardware box:

SHEN-AC1331-##



**The glass surface with the ClearMax™ label must be installed to face inside of the shower**

## Parts List

PART#	DESCRIPTION	QTY	PART#	DESCRIPTION	QTY
01	Hinge Panel glass	1pc	10	Decorative cover w/ washers	2pcs
02	Door Glass	1pc	11	Side anti-water strip	1pc
03	Return Panel glass	1pc	12	Flanged anti-water strip	1pc
4a/4b	L-Bars™ (Left & Right)	1set	13	Bottom anti-water strip	1pc
05	Handle	1pc	14	Wall bracket	4pcs
06	Hinge	2pcs	15	Bottom bracket	2pcs
07	Wall anchor	6pcs	16	4mm hex wrench	1pc
08	Pan Head screw ST4.2x25	2pcs	18	Truss Head screw ST4.2x40	4pcs
09	Truss Head screw ST4.2x55	4pcs			

# Installation steps



When installing the Quatra Lux with the **Support Bars**, follow steps #1-7, #11-16  
 When installing the Quatra Lux with the **L-Bars™**, follow steps #1-5, #8-16

**1. Assemble the Wall Brackets (#14) onto the Hinge Panel Glass (#01) and the Return Panel Glass (#03) using at least one gasket per side to protect the glass surface.**

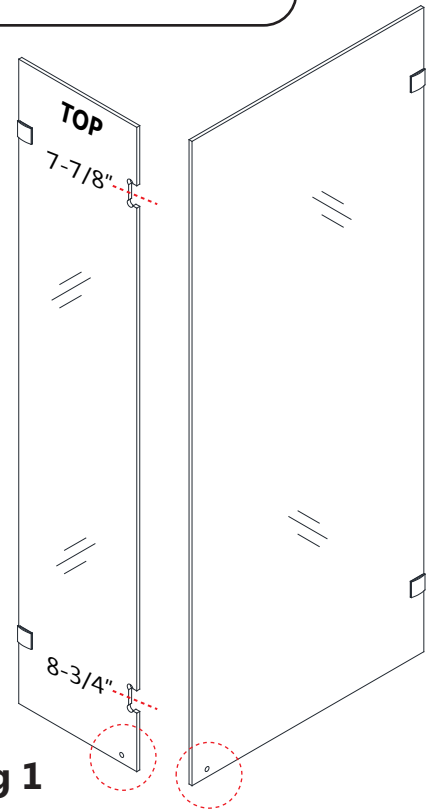
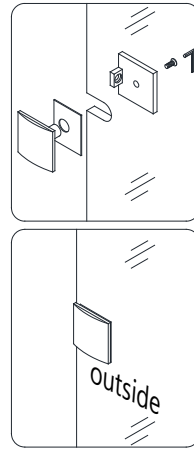
**Note** that the top notch on the hinge panel glass is closer to the top of the glass and the Bottom bracket hole is at the bottom.

**(Fig 1)**

**Take extra care during the installation when setting the panel glass directly onto the threshold.**



**NOTE:** Enclosure measurements should be taken at the bottom of the opening at the threshold and plumb lines drawn up the walls from there.



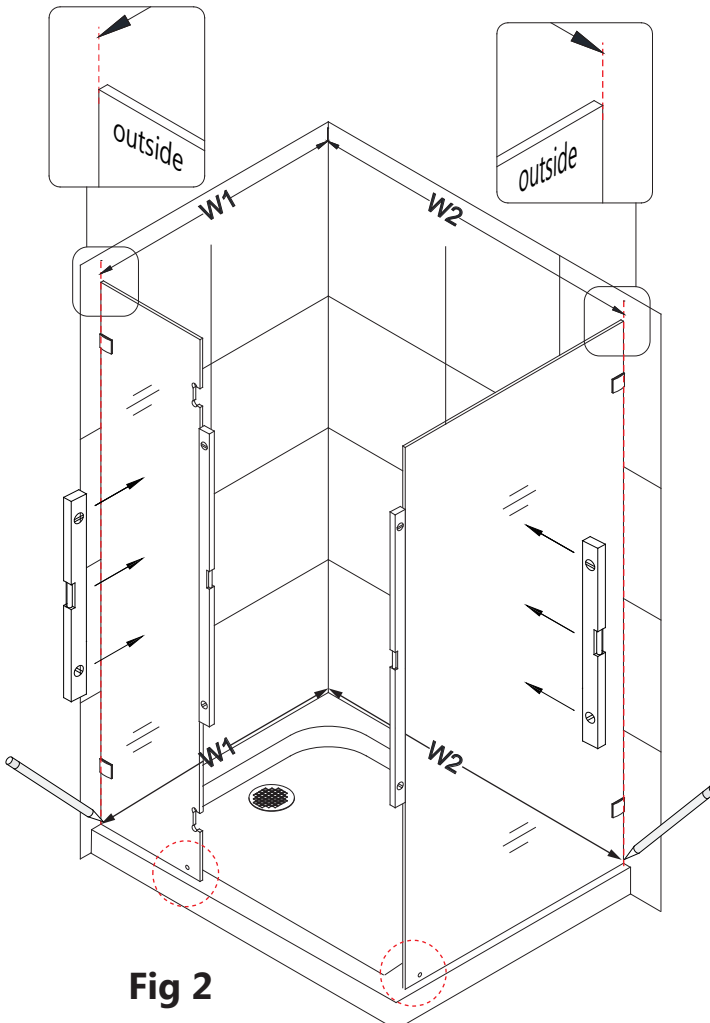
**Fig 1**

**2. Draw a plumb line on the wall (starting at the threshold) according to the Shower Enclosure model size per the table below:**

Measured from the finished corner to the outside of the glass		
Glass Box Code:	W1	W2
SHEN-GL1311-324610	32-3/8"	46-3/8"
SHEN-GL1311-344610	34-3/8"	46-3/8"

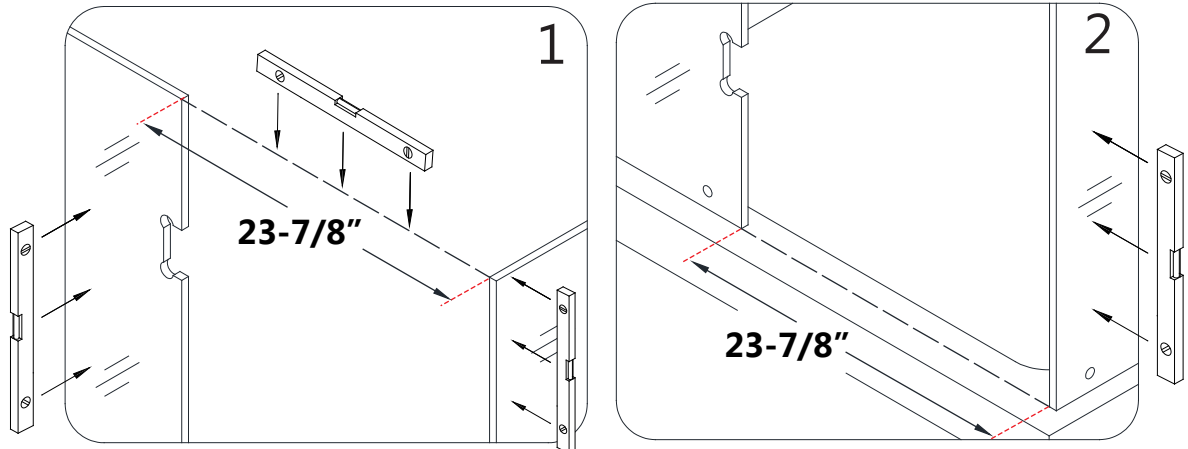
Place the assembled **Hinge Panel Glass (#01)** and **Return Panel Glass (#03)** onto the shower base, aligned with the model dimension marks on the wall and level the glass vertically. **(Fig 2)**

**NOTE:** Make sure the **Glass Panels** are plumb.



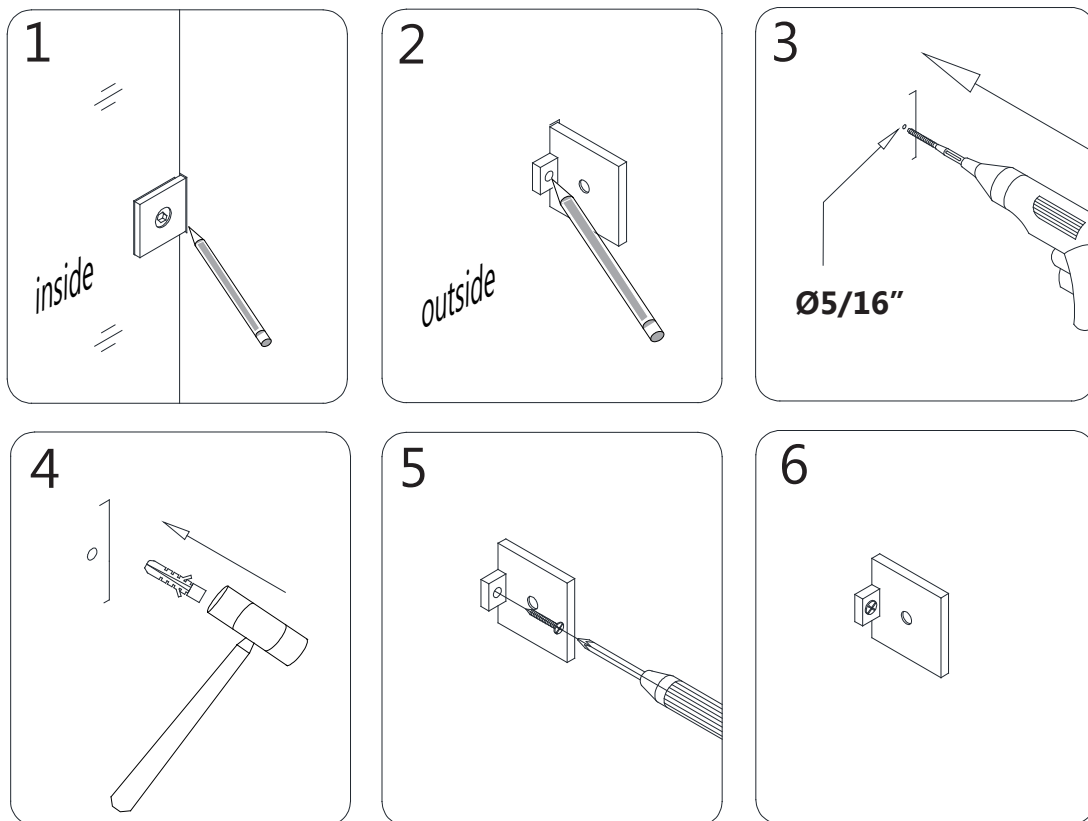
**Fig 2**

**3.** The distance between the **Hinge Panel Glass (#01)** and the **Return Panel Glass (#03)** must be **23 7/8"**. This is the required spacing for the **Door Glass (#02)**. Adjust the position of the **Return Panel Glass (#03)** as necessary to maintain this **23 7/8"** dimension. **(Fig 3)**



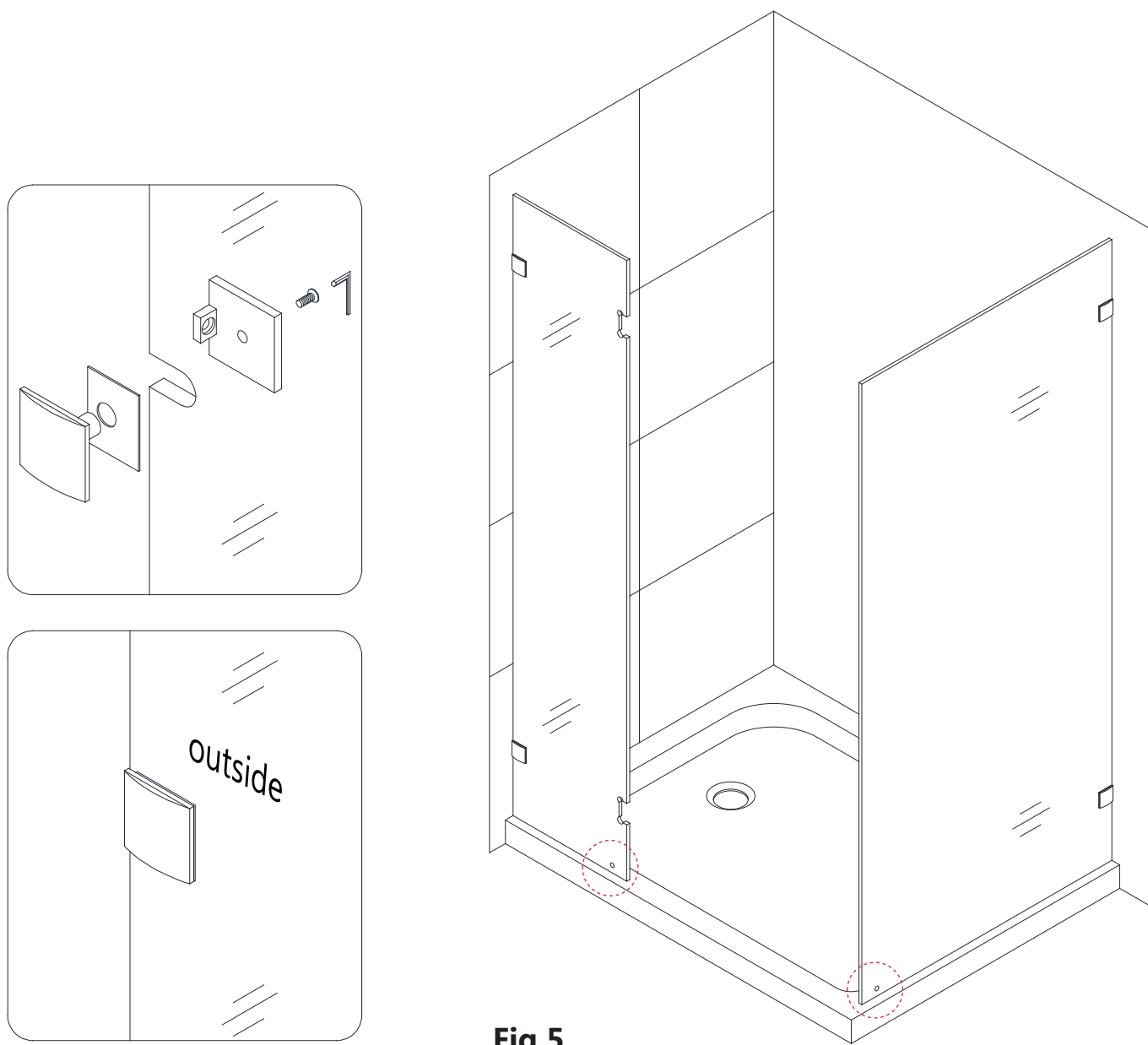
**Fig 3**

**4.** Outline the position of the **Wall Brackets (#14)** on the wall. Set the **Hinge Panel Glass (#01)** and **Return Panel Glass (#03)** aside. Remove the **Wall Brackets (#14)** from the **Glass panels**. Place the bracket base to the outlined position and mark the drilling hole on the wall **(Fig 4.2)**. Drill the hole in the wall using a **Ø5/16"** drill bit and insert the **Wall Anchors (#07)**. Fasten the **Wall Brackets (#14)** to the wall using the **Truss Head Screws ST4.2×55 (#09)**. Repeat the process for all four **Wall Brackets (#14)**. **(Fig 4)**



**Fig 4**

**5.** Carefully place the **Hinge Panel Glass (#01)** and **Return Panel Glass (#03)** back into the designated position. Assemble the **Wall Brackets (#14)** and tighten the bolts. **(Fig 5)**



**Fig 5**



**Continue to Step #6 to install the Support Bars (#04).  
When installing the Quatra Lux with the L-Bar (#04a/4b), skip  
to Step#8 to continue the installation.**

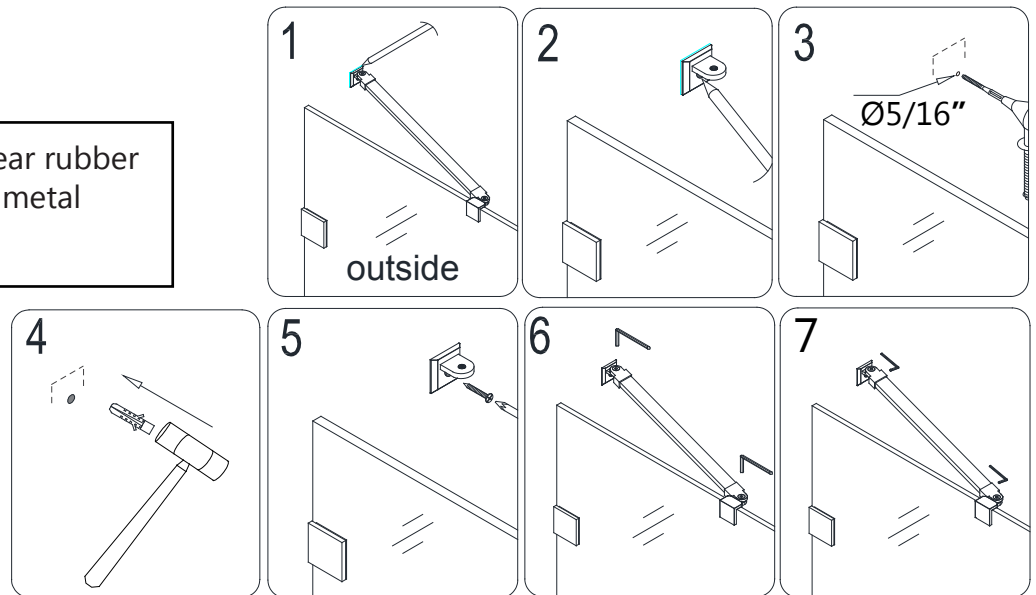
## Installation steps for Support Bar

### 6. Locate the **Support Bars (#04)**.

Position the support bar brackets on the panel glass and the wall (at a **45° angle** if possible) and level it horizontally. Hold the bracket firmly to the wall and outline the bracket's position on the wall (Fig. 6.1). Remove the **Support Bar (#04)** and detach the wall bracket. Place the wall bracket against its outlined position on the wall and mark the drilling hole.

Drill the hole using a **Ø5/16"** drill bit, insert the **Wall Anchor (#07)** and fasten the wall bracket to the wall with the **Countersunk Screw ST4.2×40 (#17)**. Attach the **Support Bar (#04)** to the wall bracket as shown in **Fig. 6.5**. Use the supplied gasket to protect the glass surface and tighten the set screws to secure the glass. (**Fig 6**)

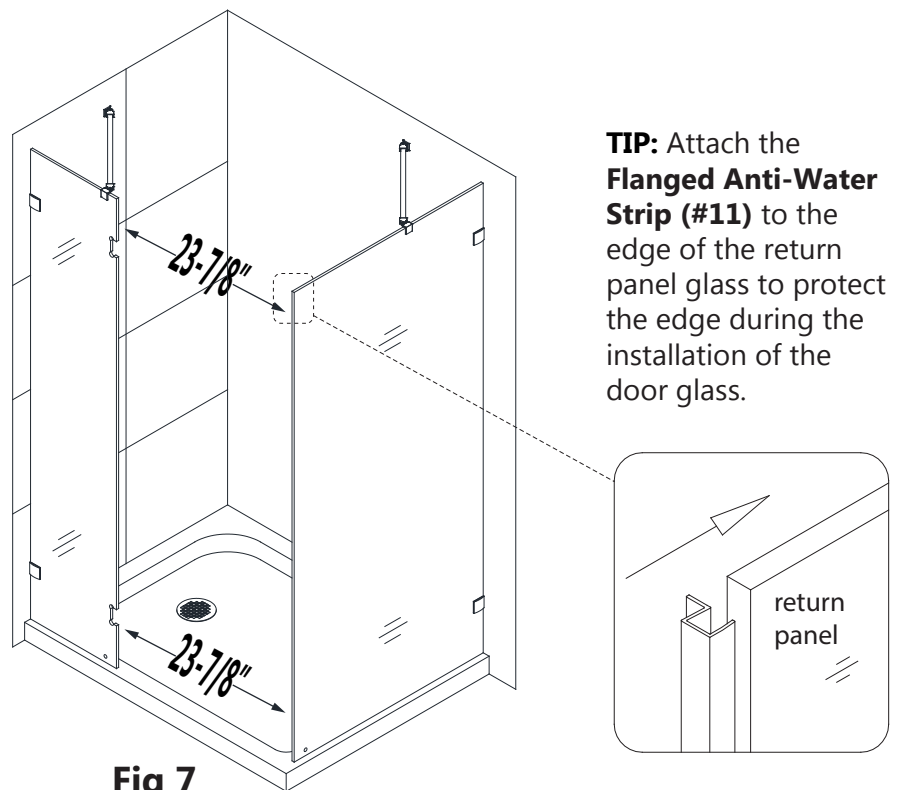
**NOTE:** Make sure to use clear rubber gaskets to prevent glass to metal contact.



**Fig 6**

### 7. Repeat Step #6 to mount the second **Support Bar (#04)**. (**Fig 7**)

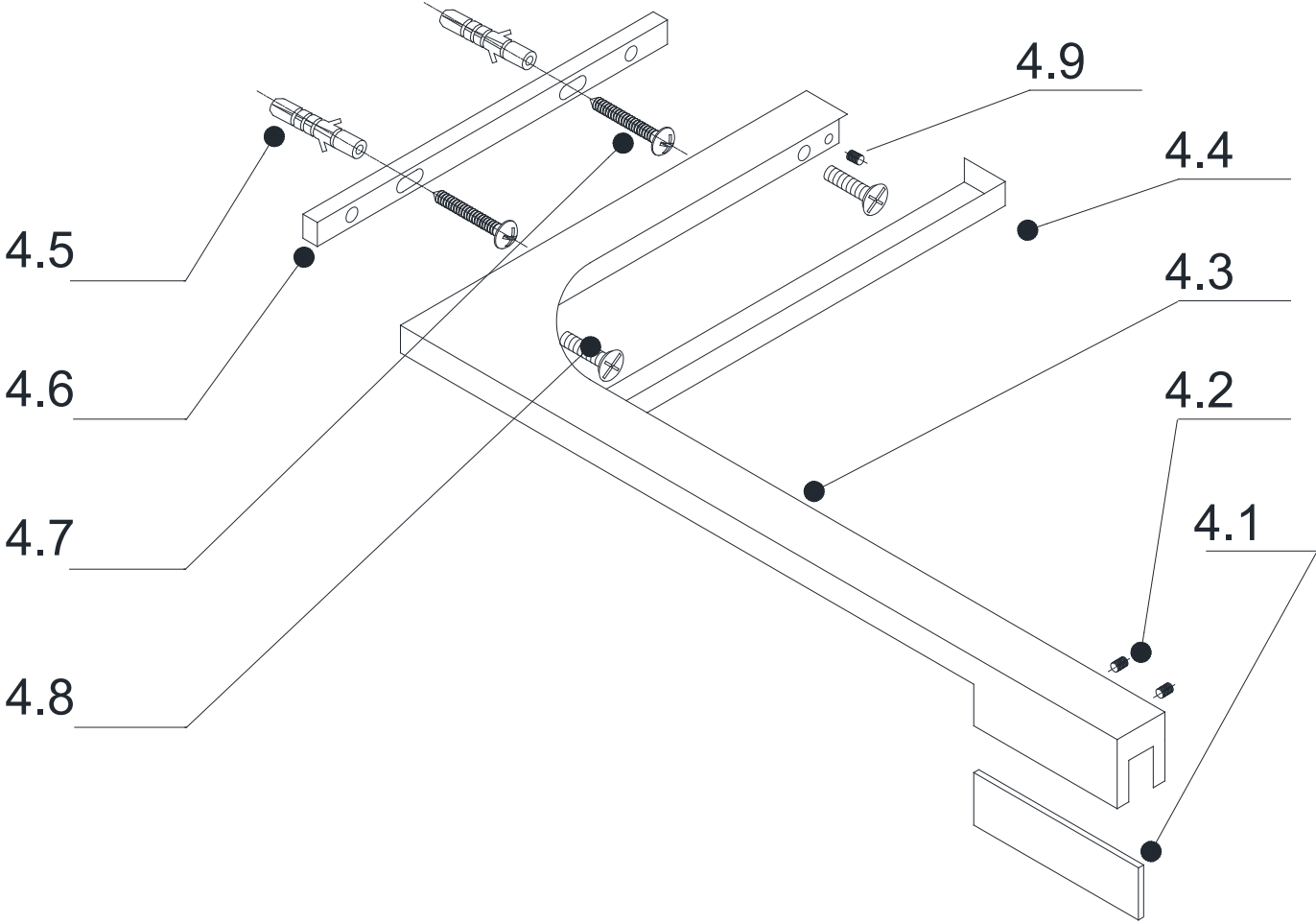
**Once the glass panels are secured with the support bars, skip to Step #11 to continue with the installation**



**Fig 7**

# Installation steps for L-Bar™

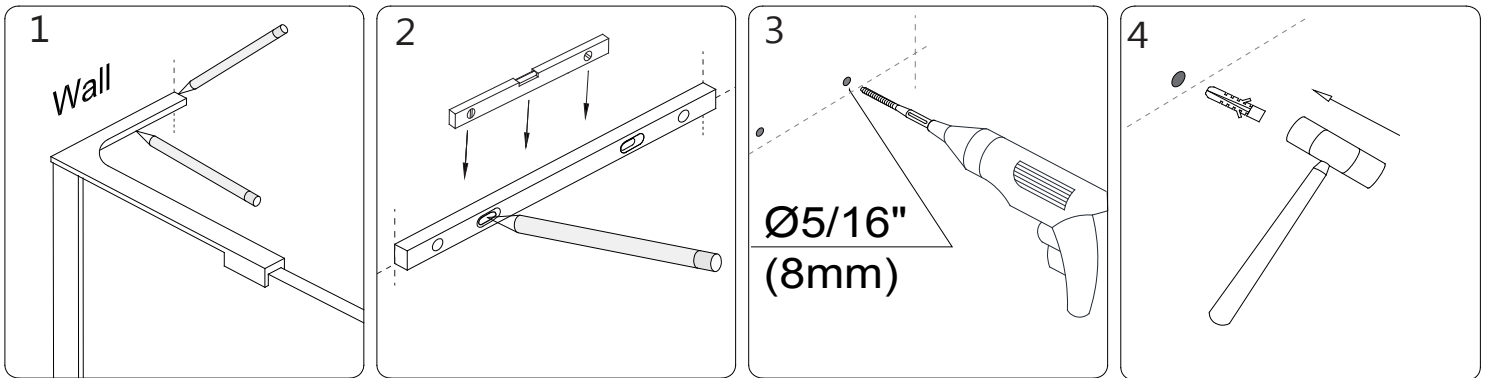
## L-Bar™ Assembly Parts List (left hand bracket shown)



Part#	DESCRIPTION	Qty	Part#	DESCRIPTION	Qty
4.1	PVC spacer	1 pc	4.6	Wall plate	1 pc
4.2	Rubber tip set screw	2 pcs	4.7	Truss Head Screw ST 4.2 x 40	2 pcs
4.3	L-Bar™ (left hand shown)	1 pc	4.8	Flat head Screw M5 x 14	2 pcs
4.4	Decorative cover	1 pc	4.9	Wall Plate adjustment set screw	2 pcs
4.5	Ø5/16" Wall anchor	2 pcs			

(Left-hand bracket installation shown)

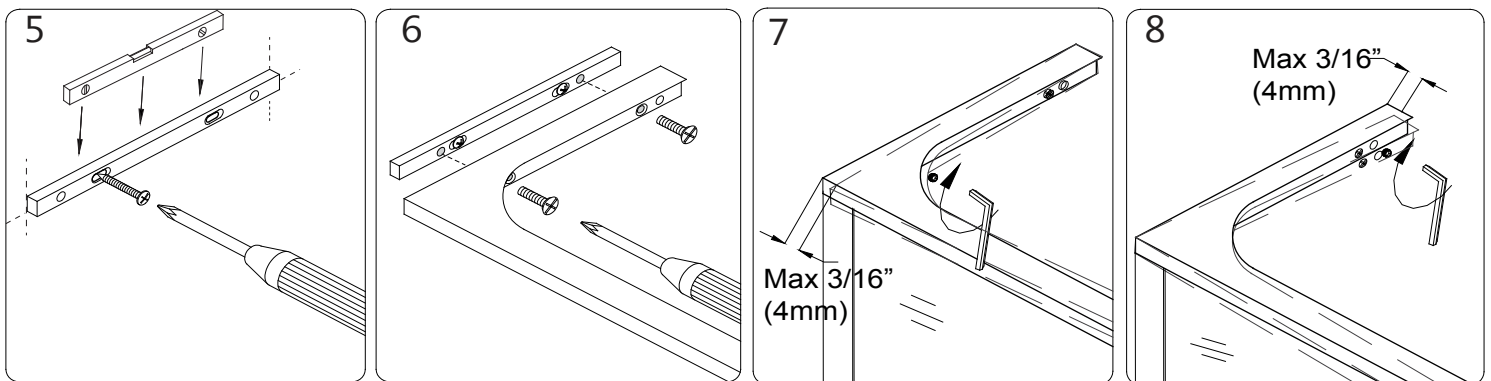
- 8.** Position the **L-Bar™ assembly (#4a)** onto the **Hinge Panel Glass (#01)** as shown and mark its position on the wall.  
Remove the **Wall Plate (#4.6)** from the **L-Bar™**. Hold the **Wall Plate (#4.6)** to the marks on the wall. Check for level and mark the holes for drilling through the wider, untapped holes. **(Fig 8.2)**  
Drill two **Ø5/16" (8mm)** holes and insert the **Ø5/16" Wall anchors (#4.5)**. **(Fig 8)**



**Fig 8**

- 9.** Attach the **Wall Plate (#06)** to the wall using the **Truss Head screws ST4.2 x 40 (#4.7)**.  
Re-attach the **L-Bar™ (#4.3)** to the **Wall Plate (#4.6)** using the **Flat Head Screw M5x14 (#4.8)** Adjust the angle if necessary by using the **Wall Plate Adjustment Set Screws (#4.9)**.  
**(Fig 9)**

Adjust the angle of the L-Bar (up to 3/16") using the small set screws on the wall plate.

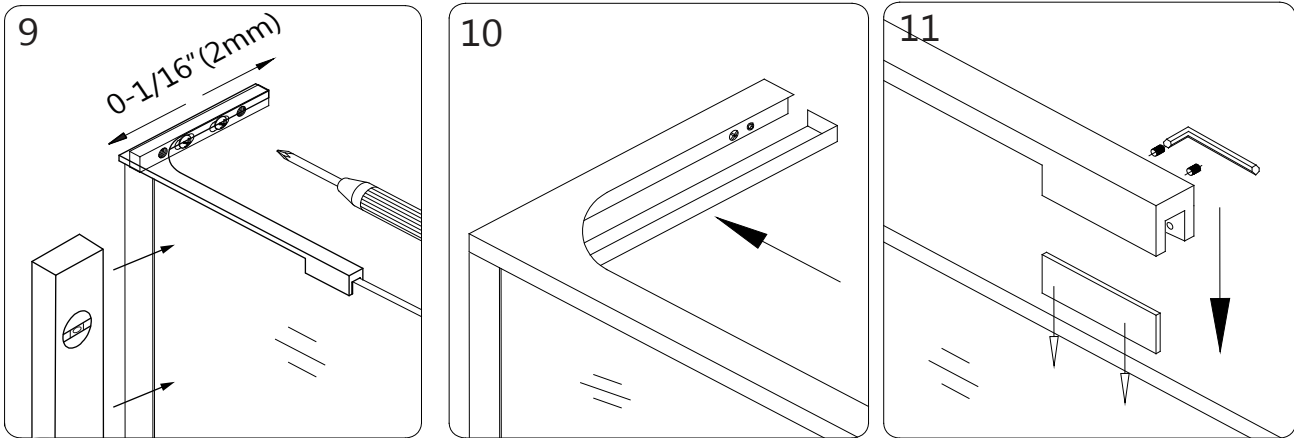


**Fig 9**

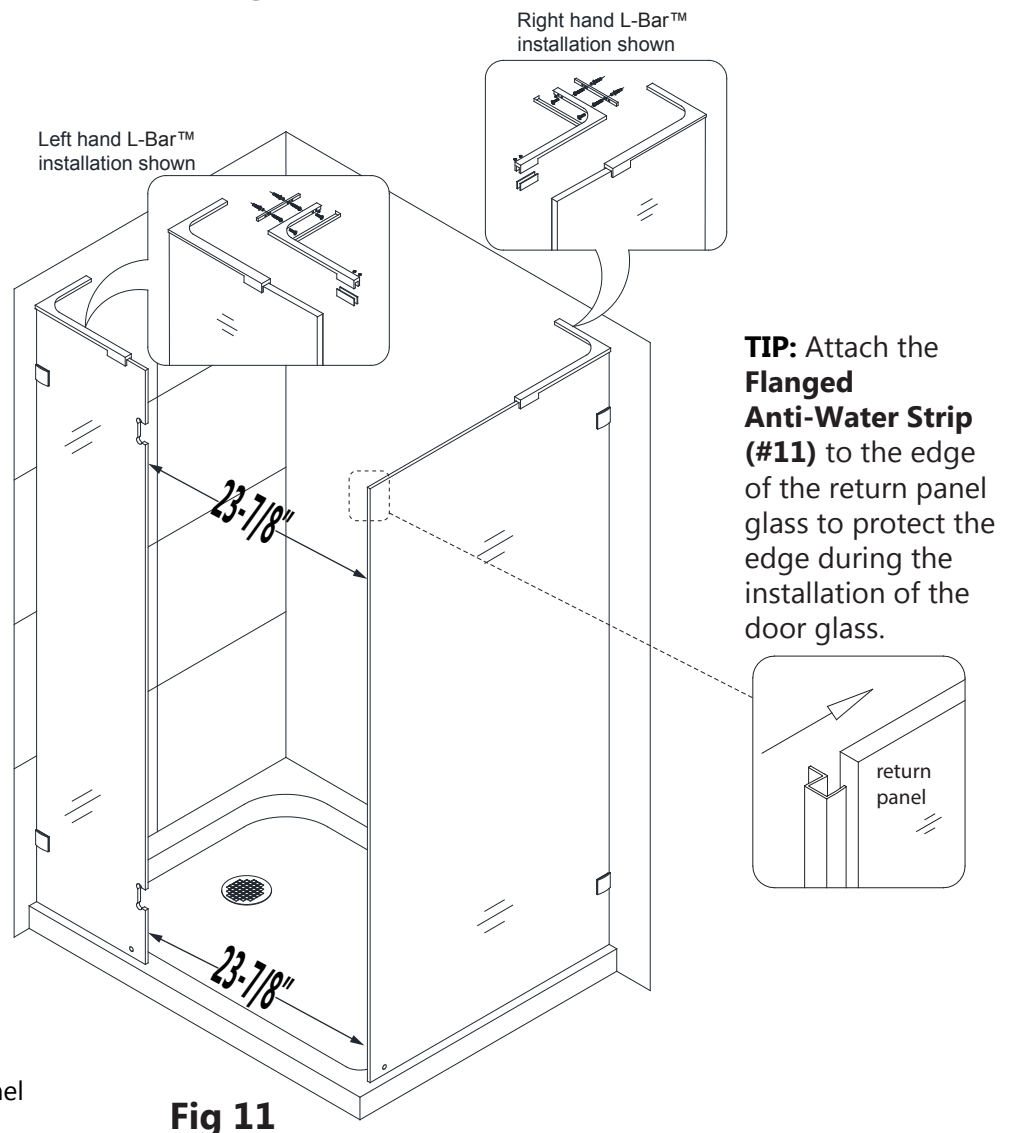
**10.** Adjust the **Hinge Panel Glass (#01)** to plumb and tighten the screws. Attach the **Decorative Cover (#4.4)**.

Secure the **L-Bar™ (#4.5)** to the top of the **Hinge Panel Glass (#01)** using the clear gasket and rubber-tipped set screws. **Do not overtighten!** (Fig 10 and Fig 11)

**Repeat these steps for the installation of the L-Bar™ on the Return Panel Glass.**



**Fig 10**



model with right-hand return panel shown as an example

**Fig 11**

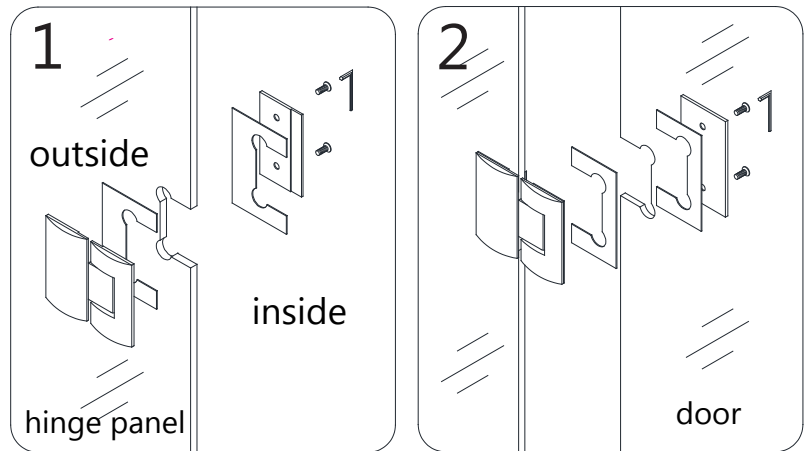


**11.** Attach the **Hinges (#06)** to the **Hinge Panel Glass (#01)** (with the bolts facing inside the shower). Use at least one gasket per side. Make sure that the hinges are flush to the edge of the glass and level. Carefully bring the **Door Glass (#02)** into the shower between the two stationary panels. Level up the **Door Glass (#02)** next to the **Hinge Panel Glass (#01)** and fasten the hinges onto the **Door Glass (#02)**. Make sure the top edges of the **Door Glass (#02)** and both **Glass panels** are flush and level. (**Fig 12, Fig 13 and Fig 14**)



**NOTE: Do Not** attach the handle to the door glass until instructed.

**Do Not** attempt to lift the door glass with the handle as this may result in damage to the glass and/or serious personal injury. Use a professional grade glass suction cup and an assistant when handling heavy glass.

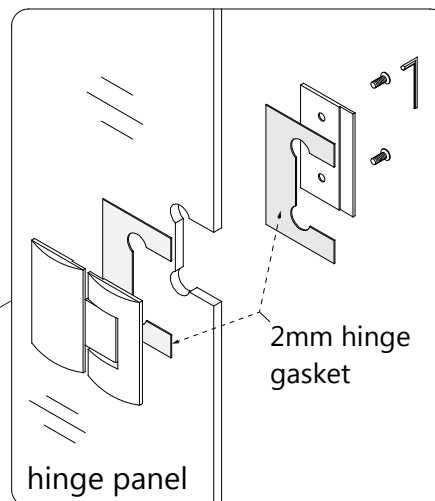
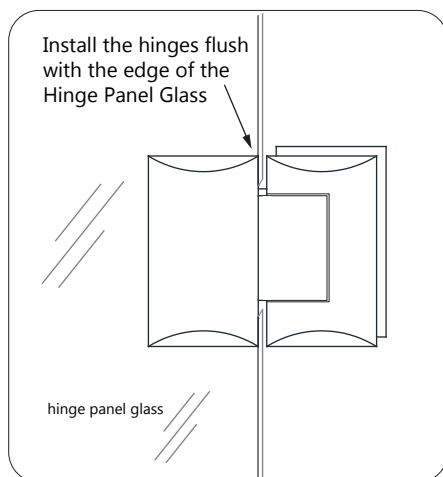


**Fig 12**

**TIP:** Set the door glass upon a pair of wood or plastic shims (13/16" thick) to make the installation of the door glass onto the hinges easier.



Use caution when installing the door glass. DO NOT make contact with the edge of the return panel glass.

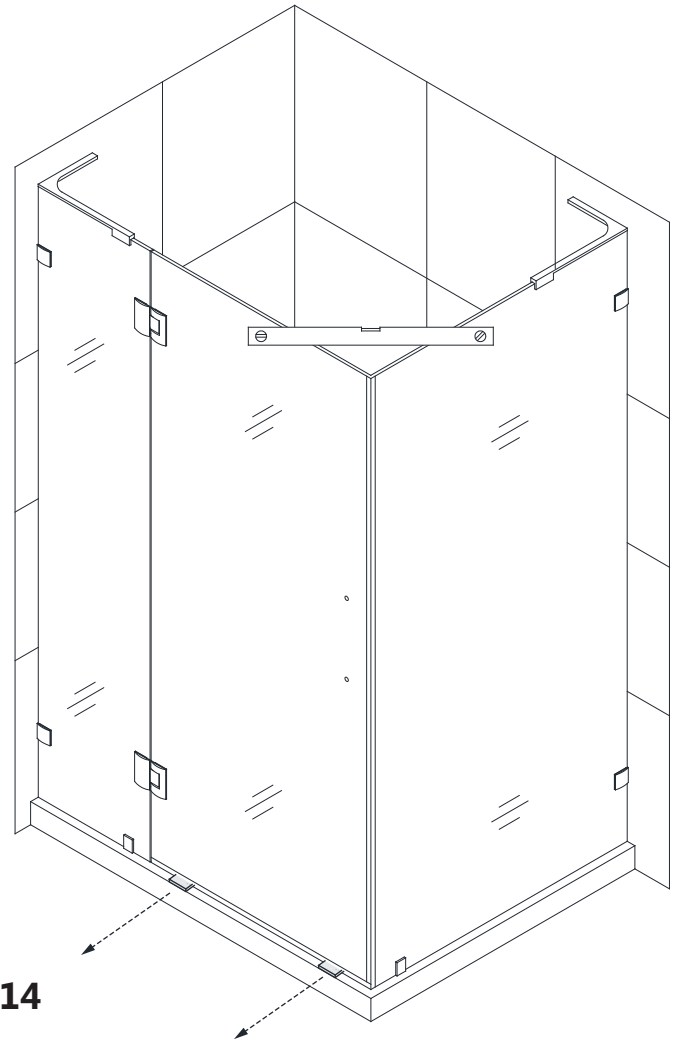
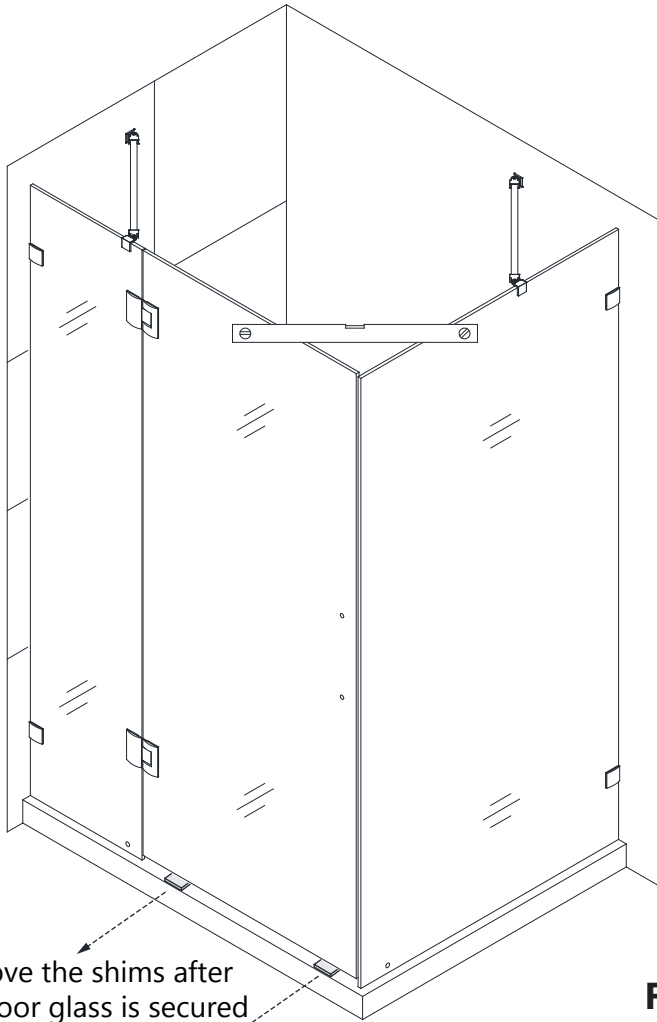


**Fig 13**

**NOTE: These adjustable hinges are factory set to overclose.**  
See **Page 20** for instructions regarding the adjustment features of these hinges.

with Support bars (#4)

with L-Bars (#4a/4b)



Remove the shims after the door glass is secured to the hinges

Fig 14

**12. Attach the Handle (#05) to the Door Glass (#02).**

Trim the **Bottom Anti-Water Strip (#13)** to the width of the door glass and snap it onto the bottom of the **Door Glass (#02)**. (Fig 15.2)

Attach the **Flanged Anti-Water Strip (#11)** to the edge of the return panel glass (Fig 15.3). (Fig 15)

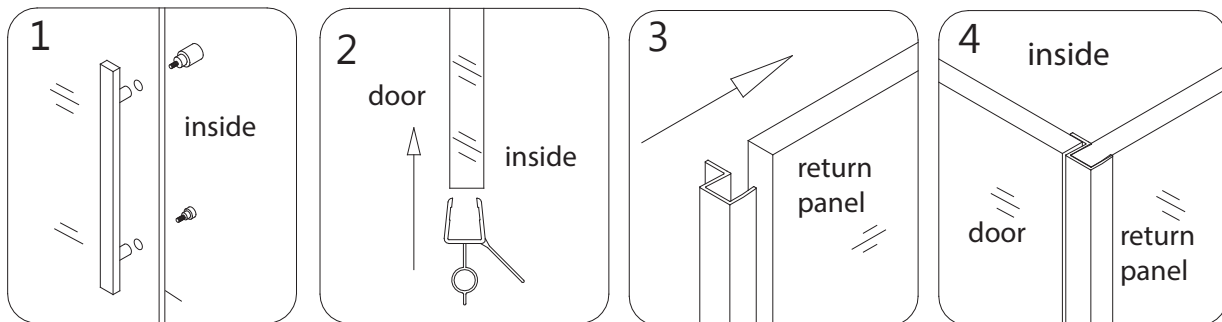
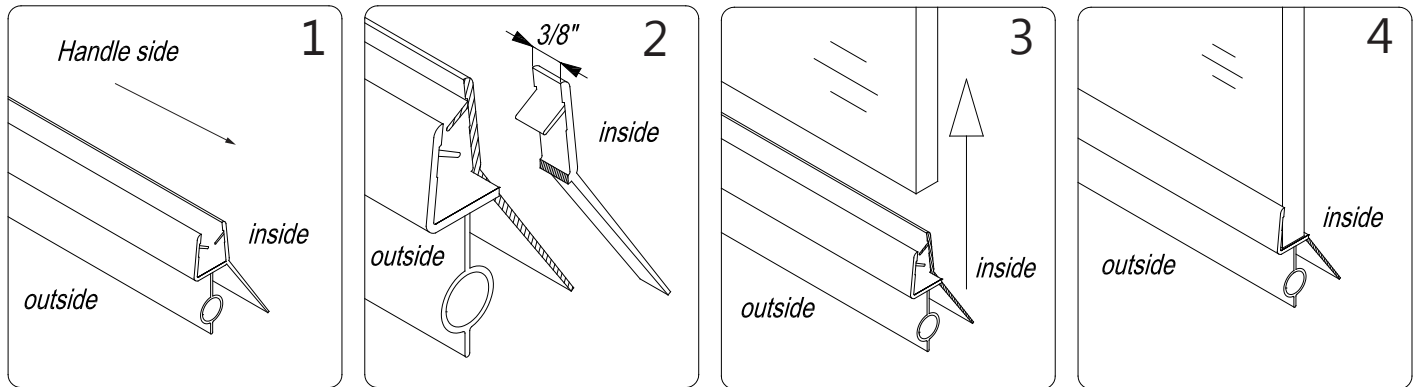


Fig 15

**13.** Measure the bottom of the **Door Glass (#02)** from end to end to determine the actual width. Using a razor knife, cut the **Bottom Anti-Water Strip (#13)** to the size of your measurement and notch approximately 3/8" off of the inner side of the **Bottom anti-water strip** as shown in **Fig. 16.2**. Press the **Bottom Anti-water strip** tightly onto the bottom edge of the **Door Glass (#02)**. (**Fig 16**)

 **NOTICE:** Make sure the **Bottom anti-water strip** is flush with the vertical edge of the **Handle** side of the **Door Glass (#02)**.



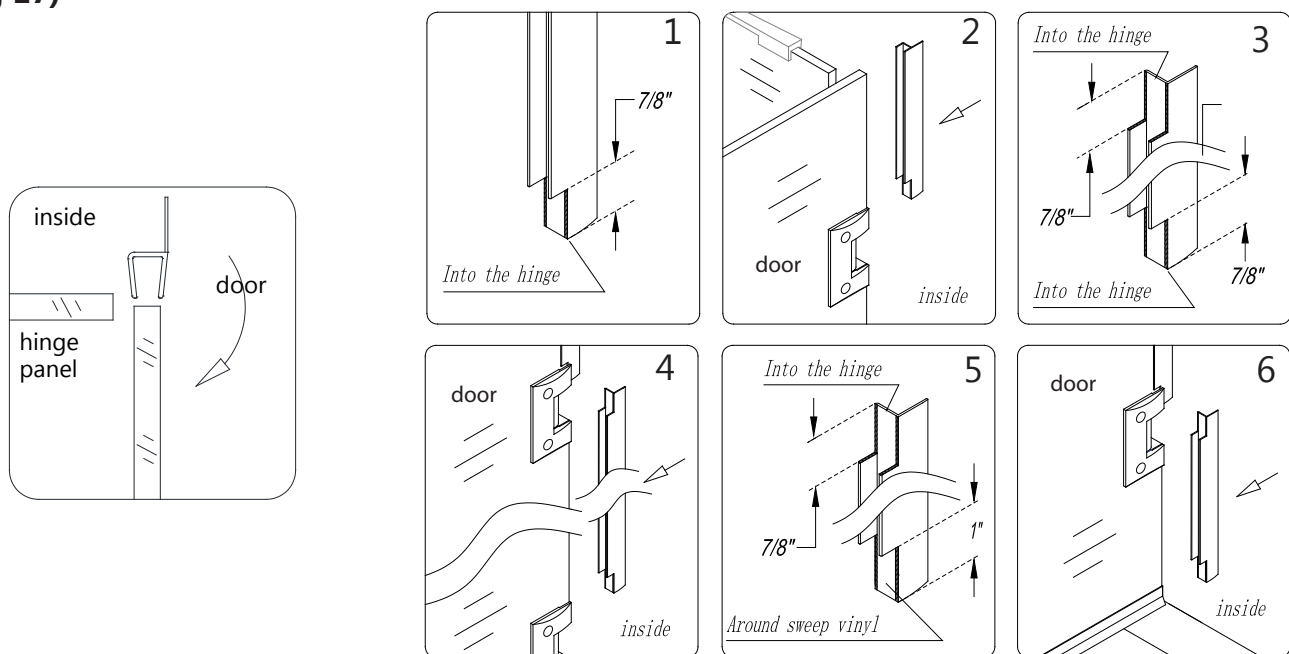
**Fig 16**

**14.** Take three measurements to prepare to notch the **Flanged Anti-Water Strip (#12)** to fit around the hinges:

- from the top edge of the **Door Glass (#02)** to the upper body of the top **Hinge (#06)** (+) 7/8"
- from the lower body of the upper **Hinge (#06)** to the upper body of the bottom **Hinge (#06)** (+) 1-3/4"
- from the lower body of the bottom **Hinge (#06)** to top of the installed **Bottom Anti-Water Strip (#13)** (+) 1-7/8"

Cut the **Flanged Anti-Water Strip (#12)** according to the measurements.

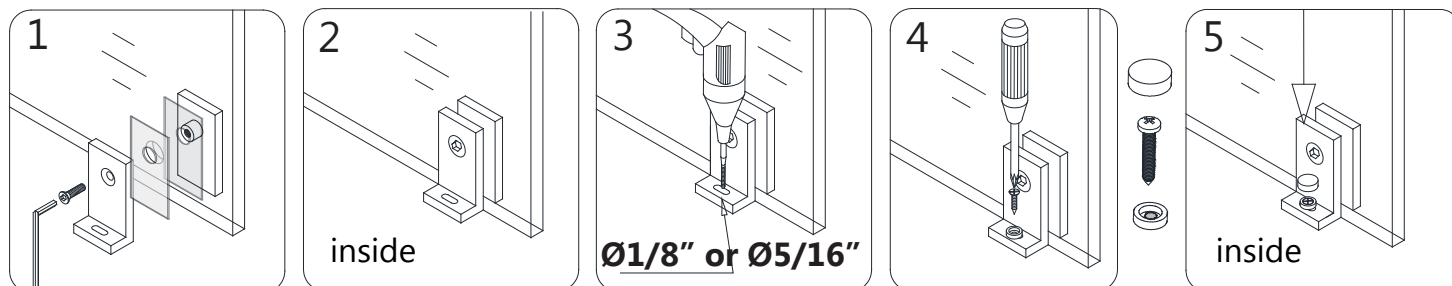
Notch the cut strips to be able to slide them into the **Hinge (#06)** and around the sweep vinyl to cover the space to the inline panel glass. Press the cut strips onto the vertical edge of the **Door Glass (#02)**. (**Fig 17**)



**Fig 17**

**15.** After final adjustment is complete, secure both lites of the **Stationary Glass** to the threshold. Assemble the **Bottom Brackets (#15)** onto the bottom of the **Stationary Glass**, using the gaskets to prevent glass to metal contact.

Drill the holes in the Shower base through the holes in the flange of the **Bottom brackets (#15)** using an **Ø1/8" drill bit for an acrylic base (or a Ø5/16" drill bit and use an anchor for installation into a tile threshold)**. Fasten the bottom brackets with the **Pan Head Screws ST4.2×25 (#08)** and washers. Cover the screw and washer with the **Decorative Covers (#10)**. (Fig 18)

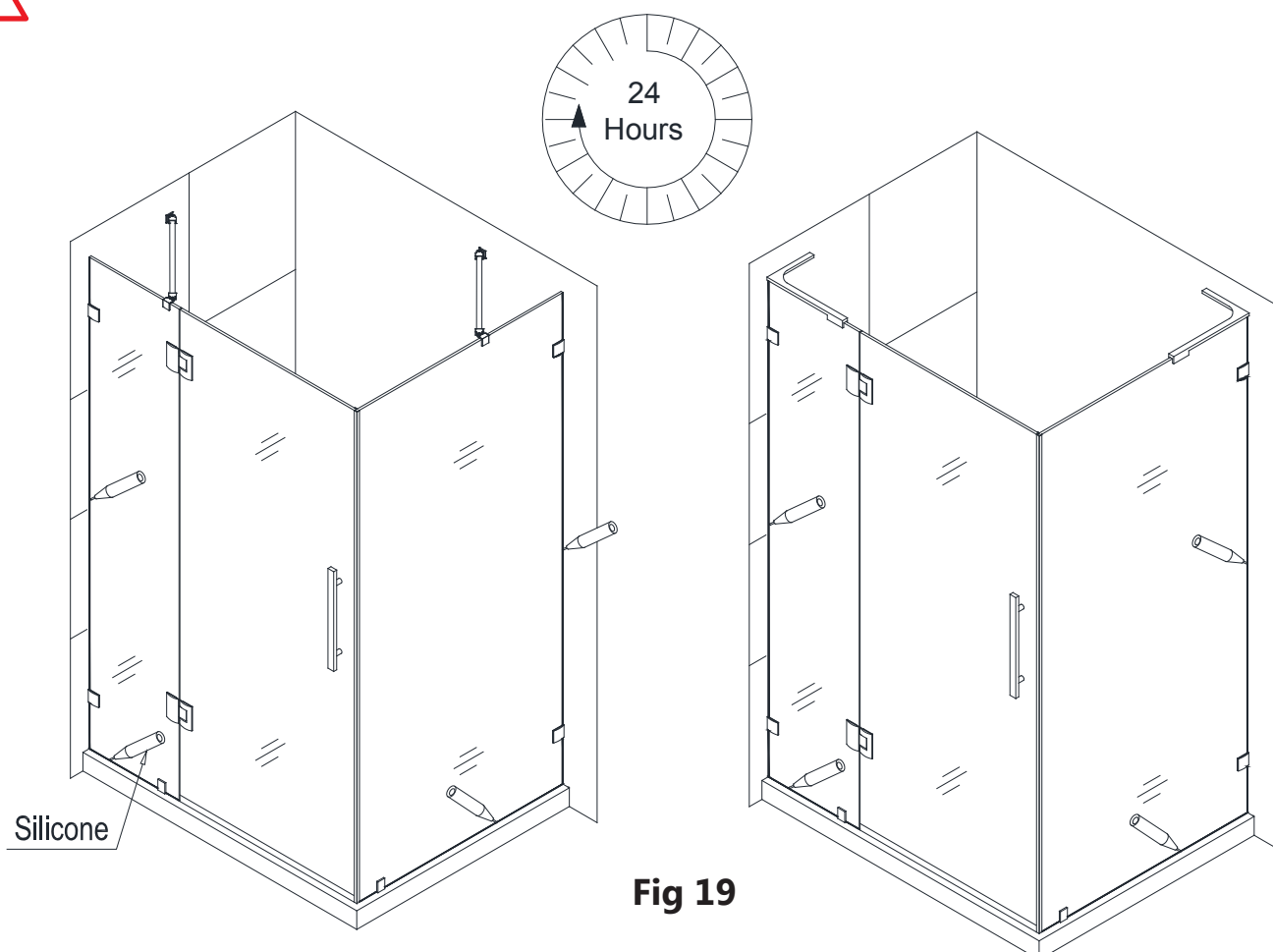


**Fig 18**

**16.** Apply a good quality mildew-resistant silicone along the connection of the stationary glass with the walls and the threshold. (Fig 19)

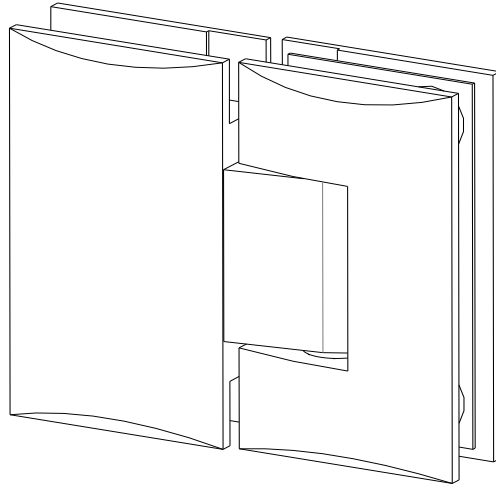


**Allow 24 hours for the silicone to fully cure before first use.**



**Fig 19**

## HG-PRS20A Adjustable Hinge Manual



### Installation & Adjustment

**1.** Make sure the door glass is plumb and the edge of the hinge is installed flush with the glass edge. Tighten the faceplate screws. (Figure 1)

**2.** The hinges are set to overclose at 172° degrees. You can change this angle by using the adjustment screws on the hinge plate. (Figure 2)

**3.** Use the supplied Allen Key to loosen the adjustment screws on the hinge plate, adjust the door to the desired angle then tighten the adjustment screws. (Figure 3)

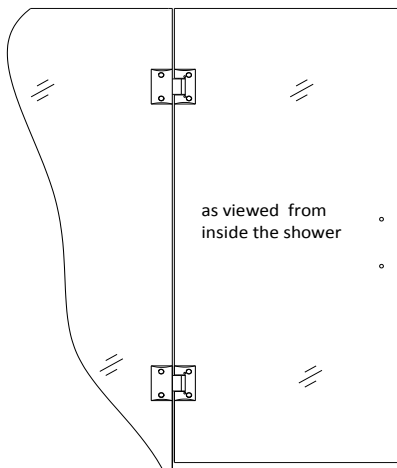


Figure 1

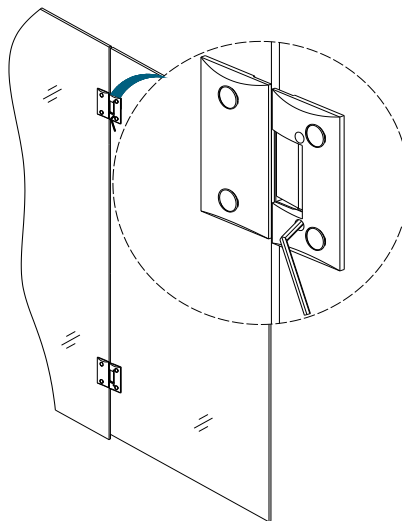


Figure 2

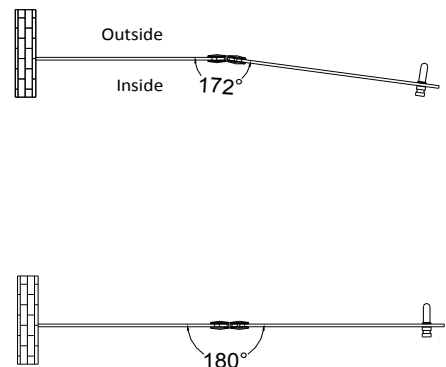


Figure 3

### Safe Use & Daily Maintenance

- The overclose setting requires strike vinyl for the door to close against and seal.
- Use a soft cloth to clean the hinge surfaces. Do not use abrasives or acidic liquids as this will damage the finish.
- Be careful not to scratch the finished surfaces of the hinge during installation.

## Product Maintenance

**BASES and BACKWALLS:** To ensure long lasting life for your acrylic back walls: wipe them off after each use with a soft cloth. To clean the acrylic back walls use non-abrasive sprays or cream based cleaners. Avoid the use of aerosol spray cleaners. Never use abrasive cleansers, metal brushes or scrapers that could scratch or dull the surface.

**GLASS:** To ensure long lasting life for your glass shower products: wipe them off after each use with a soft cloth. Rinse and wipe off the glass using either a soft cloth or a squeegee to prevent soap buildup and water spots (Hard water can etch the surface of the glass over time if left to dry). To prevent scratching the surface: never use abrasive cleaners or cleaning products that contain scouring agents. Never use bristle brushes or abrasive sponges that may scratch the surface.

**HARDWARE:** To ensure a long lasting finish: wipe off the metal parts after each use with a soft cloth. Do not use abrasive cleaners or cleaning products containing ammonia, bleach or acid. If accidentally used, rinse the surface as soon as possible to prevent damage to the finish (peeling or corrosion). After cleaning the polished finishes, rinse thoroughly and wipe dry with soft cloth. Clean stainless steel surfaces at least once a week. When applying stainless steel cleaner or polish to stainless steel hardware, work with (not across) the grain. Never use an abrasive sponge or cloth, steel wool or wired brush as these may permanently scratch the surfaces.

**NOTE: To maximize the life of your door, it is important to regularly inspect the glass and all hardware for misalignment, proper attachment, and/or damage. Contact DreamLine® with any questions or concerns.**



TEL: 866-731-2244  
FAX: 866-857-3638  
DREAMLINE.COM

For more information on DreamLine<sup>®</sup> Shower Doors and Enclosures please visit **DreamLine.com**