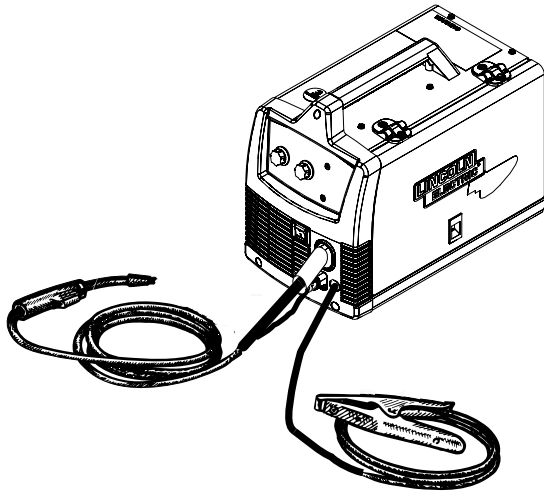




Operator's Manual

WIRE FEEDER WELDER (125, 140, 180 MODELS)

For use with machines having Code Numbers:
11173 thru 11506, 11550, 11658



Register your machine:
www.lincolnelectric.com/register

Authorized Service and Distributor Locator:
www.lincolnelectric.com/locator

Save for future reference

Date Purchased

Code: (ex: 10859)

Serial: (ex: U1060512345)

⚠ WARNING

⚠ CALIFORNIA PROPOSITION 65 WARNINGS ⚠

Diesel engine exhaust and some of its constituents are known to the State of California to cause cancer, birth defects, and other reproductive harm.

The Above For Diesel Engines

The engine exhaust from this product contains chemicals known to the State of California to cause cancer, birth defects, or other reproductive harm.

The Above For Gasoline Engines

ARC WELDING CAN BE HAZARDOUS. PROTECT YOURSELF AND OTHERS FROM POSSIBLE SERIOUS INJURY OR DEATH. KEEP CHILDREN AWAY. PACEMAKER WEARERS SHOULD CONSULT WITH THEIR DOCTOR BEFORE OPERATING.

Read and understand the following safety highlights. For additional safety information, it is strongly recommended that you purchase a copy of "Safety in Welding & Cutting - ANSI Standard Z49.1" from the American Welding Society, P.O. Box 351040, Miami, Florida 33135 or CSA Standard W117.2-1974. A Free copy of "Arc Welding Safety" booklet E205 is available from the Lincoln Electric Company, 22801 St. Clair Avenue, Cleveland, Ohio 44117-1199.

BE SURE THAT ALL INSTALLATION, OPERATION, MAINTENANCE AND REPAIR PROCEDURES ARE PERFORMED ONLY BY QUALIFIED INDIVIDUALS.



FOR ENGINE powered equipment.

1.a. Turn the engine off before troubleshooting and maintenance work unless the maintenance work requires it to be running.



1.b. Operate engines in open, well-ventilated areas or vent the engine exhaust fumes outdoors.



1.c. Do not add the fuel near an open flame welding arc or when the engine is running. Stop the engine and allow it to cool before refueling to prevent spilled fuel from vaporizing on contact with hot engine parts and igniting. Do not spill fuel when filling tank. If fuel is spilled, wipe it up and do not start engine until fumes have been eliminated.

1.d. Keep all equipment safety guards, covers and devices in position and in good repair. Keep hands, hair, clothing and tools away from V-belts, gears, fans and all other moving parts when starting, operating or repairing equipment.

1.e. In some cases it may be necessary to remove safety guards to perform required maintenance. Remove guards only when necessary and replace them when the maintenance requiring their removal is complete. Always use the greatest care when working near moving parts.



1.f. Do not put your hands near the engine fan. Do not attempt to override the governor or idler by pushing on the throttle control rods while the engine is running.

1.g. To prevent accidentally starting gasoline engines while turning the engine or welding generator during maintenance work, disconnect the spark plug wires, distributor cap or magneto wire as appropriate.



1.h. To avoid scalding, do not remove the radiator pressure cap when the engine is hot.



ELECTRIC AND MAGNETIC FIELDS may be dangerous

2.a. Electric current flowing through any conductor causes localized Electric and Magnetic Fields (EMF). Welding current creates EMF fields around welding cables and welding machines

2.b. EMF fields may interfere with some pacemakers, and welders having a pacemaker should consult their physician before welding.

2.c. Exposure to EMF fields in welding may have other health effects which are now not known.

2.d. All welders should use the following procedures in order to minimize exposure to EMF fields from the welding circuit:

2.d.1. Route the electrode and work cables together - Secure them with tape when possible.

2.d.2. Never coil the electrode lead around your body.

2.d.3. Do not place your body between the electrode and work cables. If the electrode cable is on your right side, the work cable should also be on your right side.

2.d.4. Connect the work cable to the workpiece as close as possible to the area being welded.

2.d.5. Do not work next to welding power source.



ELECTRIC SHOCK can kill.

- 3.a. The electrode and work (or ground) circuits are electrically “hot” when the welder is on. Do not touch these “hot” parts with your bare skin or wet clothing. Wear dry, hole-free gloves to insulate hands.
- 3.b. Insulate yourself from work and ground using dry insulation. Make certain the insulation is large enough to cover your full area of physical contact with work and ground.

In addition to the normal safety precautions, if welding must be performed under electrically hazardous conditions (in damp locations or while wearing wet clothing; on metal structures such as floors, gratings or scaffolds; when in cramped positions such as sitting, kneeling or lying, if there is a high risk of unavoidable or accidental contact with the workpiece or ground) use the following equipment:

- Semiautomatic DC Constant Voltage (Wire) Welder.
- DC Manual (Stick) Welder.
- AC Welder with Reduced Voltage Control.

- 3.c. In semiautomatic or automatic wire welding, the electrode, electrode reel, welding head, nozzle or semiautomatic welding gun are also electrically “hot”.
- 3.d. Always be sure the work cable makes a good electrical connection with the metal being welded. The connection should be as close as possible to the area being welded.
- 3.e. Ground the work or metal to be welded to a good electrical (earth) ground.
- 3.f. Maintain the electrode holder, work clamp, welding cable and welding machine in good, safe operating condition. Replace damaged insulation.
- 3.g. Never dip the electrode in water for cooling.
- 3.h. Never simultaneously touch electrically “hot” parts of electrode holders connected to two welders because voltage between the two can be the total of the open circuit voltage of both welders.
- 3.i. When working above floor level, use a safety belt to protect yourself from a fall should you get a shock.
- 3.j. Also see Items 6.c. and 8.



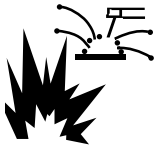
ARC RAYS can burn.

- 4.a. Use a shield with the proper filter and cover plates to protect your eyes from sparks and the rays of the arc when welding or observing open arc welding. Headshield and filter lens should conform to ANSI Z87.1 standards.
- 4.b. Use suitable clothing made from durable flame-resistant material to protect your skin and that of your helpers from the arc rays.
- 4.c. Protect other nearby personnel with suitable, non-flammable screening and/or warn them not to watch the arc nor expose themselves to the arc rays or to hot spatter or metal.



FUMES AND GASES can be dangerous.

- 5.a. Welding may produce fumes and gases hazardous to health. Avoid breathing these fumes and gases. When welding, keep your head out of the fume. Use enough ventilation and/or exhaust at the arc to keep fumes and gases away from the breathing zone. **When welding with electrodes which require special ventilation such as stainless or hard facing (see instructions on container or MSDS) or on lead or cadmium plated steel and other metals or coatings which produce highly toxic fumes, keep exposure as low as possible and within applicable OSHA PEL and ACGIH TLV limits using local exhaust or mechanical ventilation. In confined spaces or in some circumstances, outdoors, a respirator may be required. Additional precautions are also required when welding on galvanized steel.**
5. b. The operation of welding fume control equipment is affected by various factors including proper use and positioning of the equipment, maintenance of the equipment and the specific welding procedure and application involved. Worker exposure level should be checked upon installation and periodically thereafter to be certain it is within applicable OSHA PEL and ACGIH TLV limits.
- 5.c. Do not weld in locations near chlorinated hydrocarbon vapors coming from degreasing, cleaning or spraying operations. The heat and rays of the arc can react with solvent vapors to form phosgene, a highly toxic gas, and other irritating products.
- 5.d. Shielding gases used for arc welding can displace air and cause injury or death. Always use enough ventilation, especially in confined areas, to insure breathing air is safe.
- 5.e. Read and understand the manufacturer’s instructions for this equipment and the consumables to be used, including the material safety data sheet (MSDS) and follow your employer’s safety practices. MSDS forms are available from your welding distributor or from the manufacturer.
- 5.f. Also see item 1.b.

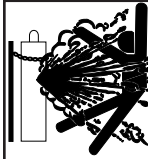


WELDING and CUTTING SPARKS can cause fire or explosion.

6.a. Remove fire hazards from the welding area. If this is not possible, cover them to prevent the welding sparks from starting a fire.

Remember that welding sparks and hot materials from welding can easily go through small cracks and openings to adjacent areas. Avoid welding near hydraulic lines. Have a fire extinguisher readily available.

- 6.b. Where compressed gases are to be used at the job site, special precautions should be used to prevent hazardous situations. Refer to "Safety in Welding and Cutting" (ANSI Standard Z49.1) and the operating information for the equipment being used.
- 6.c. When not welding, make certain no part of the electrode circuit is touching the work or ground. Accidental contact can cause overheating and create a fire hazard.
- 6.d. Do not heat, cut or weld tanks, drums or containers until the proper steps have been taken to insure that such procedures will not cause flammable or toxic vapors from substances inside. They can cause an explosion even though they have been "cleaned". For information, purchase "Recommended Safe Practices for the Preparation for Welding and Cutting of Containers and Piping That Have Held Hazardous Substances", AWS F4.1 from the American Welding Society (see address above).
- 6.e. Vent hollow castings or containers before heating, cutting or welding. They may explode.
- 6.f. Sparks and spatter are thrown from the welding arc. Wear oil free protective garments such as leather gloves, heavy shirt, cuffless trousers, high shoes and a cap over your hair. Wear ear plugs when welding out of position or in confined places. Always wear safety glasses with side shields when in a welding area.
- 6.g. Connect the work cable to the work as close to the welding area as practical. Work cables connected to the building framework or other locations away from the welding area increase the possibility of the welding current passing through lifting chains, crane cables or other alternate circuits. This can create fire hazards or overheat lifting chains or cables until they fail.
- 6.h. Also see item 1.c.
- 6.i. Read and follow NFPA 51B "Standard for Fire Prevention During Welding, Cutting and Other Hot Work", available from NFPA, 1 Batterymarch Park, PO box 9101, Quincy, Ma 022690-9101.
- 6.j. Do not use a welding power source for pipe thawing.



CYLINDER may explode if damaged.

- 7.a. Use only compressed gas cylinders containing the correct shielding gas for the process used and properly operating regulators designed for the gas and pressure used. All hoses, fittings, etc. should be suitable for the application and maintained in good condition.
- 7.b. Always keep cylinders in an upright position securely chained to an undercarriage or fixed support.
- 7.c. Cylinders should be located:
 - Away from areas where they may be struck or subjected to physical damage.
 - A safe distance from arc welding or cutting operations and any other source of heat, sparks, or flame.
- 7.d. Never allow the electrode, electrode holder or any other electrically "hot" parts to touch a cylinder.
- 7.e. Keep your head and face away from the cylinder valve outlet when opening the cylinder valve.
- 7.f. Valve protection caps should always be in place and hand tight except when the cylinder is in use or connected for use.
- 7.g. Read and follow the instructions on compressed gas cylinders, associated equipment, and CGA publication P-1, "Precautions for Safe Handling of Compressed Gases in Cylinders," available from the Compressed Gas Association 1235 Jefferson Davis Highway, Arlington, VA 22202.



FOR ELECTRICALLY powered equipment.

- 8.a. Turn off input power using the disconnect switch at the fuse box before working on the equipment.
- 8.b. Install equipment in accordance with the U.S. National Electrical Code, all local codes and the manufacturer's recommendations.
- 8.c. Ground the equipment in accordance with the U.S. National Electrical Code and the manufacturer's recommendations.

Refer to <http://www.lincolnelectric.com/safety> for additional safety information.

Thank You — for selecting a **QUALITY** product by Lincoln Electric. We want you to take pride in operating this Lincoln Electric Company product ... as much pride as we have in bringing this product to you!

CUSTOMER ASSISTANCE POLICY

The business of The Lincoln Electric Company is manufacturing and selling high quality welding equipment, consumables, and cutting equipment. Our challenge is to meet the needs of our customers and to exceed their expectations. On occasion, purchasers may ask Lincoln Electric for advice or information about their use of our products. We respond to our customers based on the best information in our possession at that time. Lincoln Electric is not in a position to warrant or guarantee such advice, and assumes no liability, with respect to such information or advice. We expressly disclaim any warranty of any kind, including any warranty of fitness for any customer's particular purpose, with respect to such information or advice. As a matter of practical consideration, we also cannot assume any responsibility for updating or correcting any such information or advice once it has been given, nor does the provision of information or advice create, expand or alter any warranty with respect to the sale of our products.

Lincoln Electric is a responsive manufacturer, but the selection and use of specific products sold by Lincoln Electric is solely within the control of, and remains the sole responsibility of the customer. Many variables beyond the control of Lincoln Electric affect the results obtained in applying these types of fabrication methods and service requirements.

Subject to Change – This information is accurate to the best of our knowledge at the time of printing. Please refer to www.lincolnelectric.com for any updated information.

Please Examine Carton and Equipment For Damage Immediately

When this equipment is shipped, title passes to the purchaser upon receipt by the carrier. Consequently, Claims for material damaged in shipment must be made by the purchaser against the transportation company at the time the shipment is received.

Please record your equipment identification information below for future reference. This information can be found on your machine nameplate.

Product _____

Model Number _____

Code Number or Date Code _____

Serial Number _____

Date Purchased _____

Where Purchased _____

Whenever you request replacement parts or information on this equipment, always supply the information you have recorded above. The code number is especially important when identifying the correct replacement parts.

On-Line Product Registration

- Register your machine with Lincoln Electric either via fax or over the Internet.
 - For faxing: Complete the form on the back of the warranty statement included in the literature packet accompanying this machine and fax the form per the instructions printed on it.
 - For On-Line Registration: Go to our **WEB SITE** at www.lincolnelectric.com. Choose "Quick Links" and then "Product Registration". Please complete the form and submit your registration.

Read this Operators Manual completely before attempting to use this equipment. Save this manual and keep it handy for quick reference. Pay particular attention to the safety instructions we have provided for your protection. The level of seriousness to be applied to each is explained below:

⚠ WARNING

This statement appears where the information **must** be followed **exactly** to avoid **serious personal injury** or **loss of life**.

⚠ CAUTION

This statement appears where the information **must** be followed to avoid **minor personal injury** or **damage to this equipment**.

TABLE OF CONTENTS

Installation	Section A
Technical Specifications	A-1, A-2
Safety Precautions	A-2
Location	A-2
Stacking	A-2
Tilting	A-2
Identify and Locate Components for 180 Amp and 140 Amp Units	A-3
Identify and Locate Components for 125 Amp Flux Core Unit	A-3
Operation	Section B
Safety and Product Description	B-1
Controls and Settings	B-2, B-3
Drive Roll and Wire Guides Table	B-4
Setting Up and Making a Flux-Cored Weld thru B-6	B-4
Setting Up and Making a MIG Weld and Install Shielding Gas	B-7 thru B-10
Setting Up and Making a Aluminum Weld	B-11
Accessories	Section C
Optional Accessories	C-1
Utility Carts	C-2, C-3
Maintenance	Section D
Safety Precautions	D-1
Wire Feed Compartment, Fan Motor, Wire Reel Maintenance	D-1
Gun And Cable Maintenance	D-2
Overload Protection	D-2
Component Replacement Procedures	D-2
Troubleshooting	Section E
Safety Precautions	E-1
How to Use Troubleshooting Guide	E-1
Troubleshooting Guide	E-2 thru E-3
Wiring Diagram and Dimension Print	Section F
Parts Pages	P-532, P-202-E

TECHNICAL SPECIFICATIONS 180 Amp units (K2481-1, K2515-1, K2659-1, K2689-1, K2698-1)

INPUT – SINGLE PHASE ONLY				
<u>Standard Voltage/Frequency</u> 230 V 60 Hz 208 V 60 Hz		<u>Input Current</u> 20 Amps @ rated output 20 Amps @ rated output		
RATED OUTPUT				
<u>Voltage/Duty Cycle</u> 230 V 30% 208 V 30%		<u>Current</u> 130 Amps 130 Amps	<u>Voltage at Rated Amperes</u> 20 17	
OUTPUT				
<u>Welding Current Range</u> 30-180 Amps		<u>Open Circuit Voltage</u> 34 V	<u>Wire Speed Range</u> 50 - 500 in/min. (1.3 - 12.7 m/min.)	
RECOMMENDED INPUT CABLE AND FUSE SIZES				
<u>Input Voltage/Frequency</u>		<u>Fuse or Breaker Size¹</u>	<u>Input Amps</u>	<u>Power Cord</u>
230 V 60 Hz		40 Amp Super Lag	20	50 Amp, 250 V, Three Prong Plug (NEMA Type 6-50P)
PHYSICAL DIMENSIONS				
<u>Height</u> 13.7 in 347 mm	<u>Width</u> 10.15 in 258 mm	<u>Depth</u> 17.9 in 454 mm	<u>Weight</u> 64 lbs 29 kg	

¹ If connected to a circuit protected by fuses use Time Delay Fuse marked "D".

140 Amp units (K2480-1, K2514-1, K2658-1, K2688-1, K2697-1)

INPUT – SINGLE PHASE ONLY				
<u>Standard Voltage/Frequency</u> 120 V / 60 Hz		<u>Input Current</u> 20 Amps @ rated output		
RATED OUTPUT				
<u>Duty Cycle</u> 20% Duty Cycle		<u>Current</u> 90 Amps	<u>Voltage at Rated Amperes</u> 19.5	
OUTPUT				
<u>Welding Current Range</u> 30-140 Amps		<u>Open Circuit Voltage</u> 33 V	<u>Wire Speed Range</u> 50 - 500 in/min. (1.3 - 12.7 m/min.)	
RECOMMENDED INPUT CABLE AND FUSE SIZES				
<u>Input Voltage/Frequency</u>	<u>Fuse or Breaker Size^{1,2}</u>	<u>Input Amps</u>	<u>Power Cord</u>	<u>Extension Cord</u>
120 V 60 Hz	20 Amp	20	15 Amp, 125 V, Three Prong Plug (NEMA Type 5-15P)	3 Conductor # 12 AWG (4mm ²) or Larger up to 50 ft.(15.2m)
PHYSICAL DIMENSIONS				
<u>Height</u> 13.7 in 347 mm	<u>Width</u> 10.15 in 258 mm	<u>Depth</u> 17.9 in 454 mm	<u>Weight</u> 54 lbs 24.5 kg	

¹If connected to a circuit protected by fuses use Time Delay Fuse marked "D".

WIRE FEEDER WELDERS (125, 140, 180 MODELS)



TECHNICAL SPECIFICATIONS 125 Amp units (K2479-1, K2513-1, K2696-1, K2699-1, K2785-1)

INPUT – SINGLE PHASE ONLY				
Standard Voltage/Frequency 120 V / 60 Hz		Input Current 20 Amps @ rated output		
RATED OUTPUT				
Duty Cycle 20% Duty Cycle		Current 90 Amps		Voltage at Rated Amperes 19
OUTPUT				
Welding Current Range 30-125 Amps		Maximum-Open Circuit Voltage 33 V		Wire Speed Range 50 - 500 in/min. (1.3 - 12.7 m/min.)
RECOMMENDED INPUT CABLE AND FUSE SIZES				
Input Voltage / Frequency	Fuse or Breaker Size ^{1,2}	Input Amps	Power Cord	Extension Cord
120 V 60 Hz	20 Amp	20	15 Amp, 125 V, Three Prong Plug (NEMA Type 5-15P)	3 Conductor # 12 AWG (4mm ²) or Larger up to 50 ft.(15.2m)
PHYSICAL DIMENSIONS				
Height 13.7 in 347 mm	Width 10.15 in 258 mm	Depth 17.9 in 454 mm	Weight 48 lbs 21.7 kg	

¹ If connected to a circuit protected by fuses use Time Delay Fuse marked "D".

² Requirements For Maximum Output

In order to utilize the maximum output capability of the machine, a branch circuit capable of 25 amps at 120 volts, 60 Hertz is required.

Read entire installation section before starting installation.

SAFETY PRECAUTIONS

WARNING



ELECTRIC SHOCK can kill.

- Only qualified personnel should perform this installation.
- Only personnel that have read and understood the POWER MIG Operating Manual should install and operate this equipment.
- Machine must be plugged into a receptacle which is grounded per any national, local or other applicable electrical codes.
- The POWER MIG power switch is to be in the OFF ("O") position when installing work cable and gun and when connecting power cord to input power.

SELECT SUITABLE LOCATION

Locate the welder in a dry location where there is free circulation of clean air into the louvers in the back and out the front of the unit. A location that minimizes the amount of smoke and dirt drawn into the rear louvers reduces the chance of dirt accumulation that can block air passages and cause overheating.

STACKING

WIRE FEEDER WELDER(125, 140, 180 MODELS) cannot be stacked.

TILTING

Each machine must be placed on a secure, level surface, directly or on recommended cart. The machine may topple over if this procedure is not followed.

WIRE FEEDER WELDERS (125, 140, 180 MODELS)

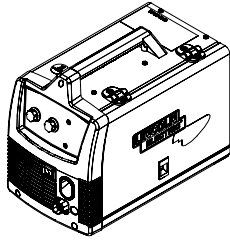


IDENTIFY AND LOCATE COMPONENTS

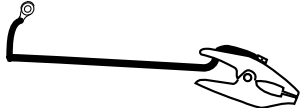
for 140 AMP and 180 AMP UNITS

INCLUDED COMPONENTS

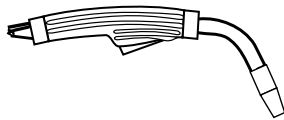
- Wire Feeder Welder.



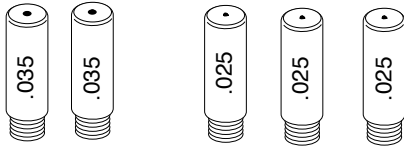
- Work Cable & Clamp.



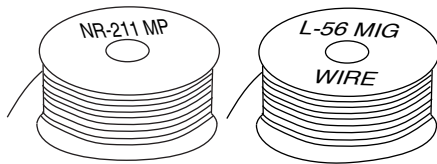
- Magnum 100L Welding Gun.



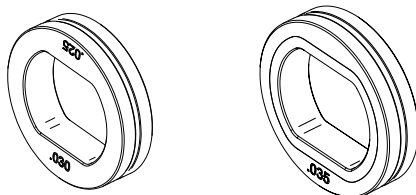
- 3 .035 Contact Tips (1 installed on the welding gun).
- 3 .025 Contact Tips.



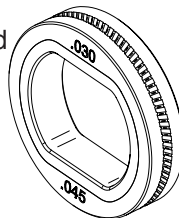
- Spool of .035 diameter NR-211MP Innershield Flux-cored Wire.
- Spool of .025 diameter L-56 MIG Wire.



- .025-.030 Smooth Drive Roll
- .035 Smooth Drive Roll



- .030 -.045 Knurled Drive Roll (Installed on Machine)

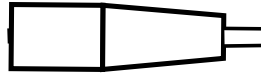


- Handshield*



*Handshield not available on Code 11658.

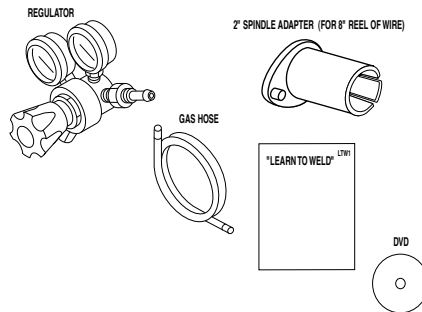
- Black Flux-cored Gasless Gun Nozzle (Installed on Welding Gun)



- Brass MIG Gas Gun Nozzle



- 2" Spindle Adapter (For 8" Reel of wire)
- Regulator
- Gas Hose
- Learn to Weld (LTW1 Manual)
- DVD

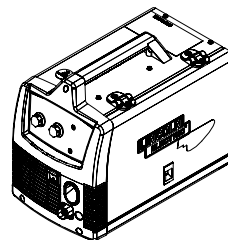


IDENTIFY AND LOCATE COMPONENTS

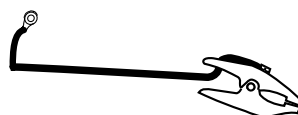
for 125 AMP FLUX CORE UNIT

INCLUDED COMPONENTS

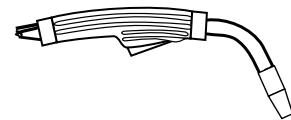
- Wire Feeder Welder.



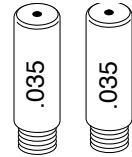
- Work Cable & Clamp.



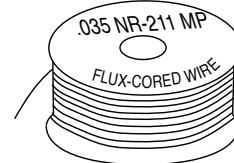
- Magnum 100L Welding Gun.



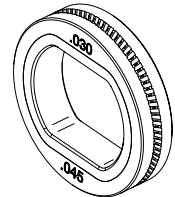
- 3 .035 Contact Tips (1 installed on the welding gun).



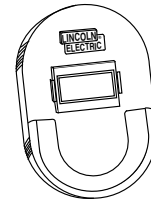
- Spool of .035 diameter NR-211MP Innershield Flux-cored Wire.



- .030 -.045 Knurled Drive Roll (Installed on Machine)



- Handshield



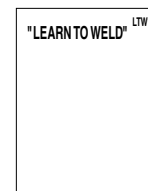
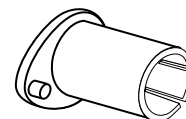
- Black Flux-cored Gasless Gun Nozzle (Installed on Welding Gun)



- 2" Spindle Adapter (For 8" Reel of wire)

- Learn to Weld (LTW1 Manual)
- DVD

2" SPINDLE ADAPTER (FOR 8" REEL OF WIRE)



Read entire operation section before operating the WIRE FEEDER WELDERS.

⚠ WARNING



ELECTRIC SHOCK can kill.

- Do not touch electrically live parts or electrode with skin or wet clothing. Insulate yourself from work and ground.
- Always wear dry insulating gloves.



FUMES AND GASES can be dangerous.

- Keep your head out of fumes.
- Use ventilation or exhaust to remove fumes from breathing zone.



WELDING SPARKS can cause fire or explosion.

- Keep flammable material away.
- Do not weld on closed containers.



ARC RAYS can burn eyes and skin.

- Wear eye, ear and body protection.

Observe all safety information throughout this manual.

PRODUCT DESCRIPTION (PRODUCT CAPABILITIES)

These small portable wire feed welders are capable of MIG welding on steel, stainless steel, and aluminum. They are also capable of flux-cored welding on mild steel.

MIG welding stands for Metal Inert Gas welding and requires a separate bottle of shielding gas to protect the weld until it cools. Appropriate shielding gas based on the type of material you are welding can be purchased separately from your local welding gas distributor. MIG welding is ideal for welding on thinner and clean materials when a very clean excellent cosmetic looking weld is required. An example would be automotive body panels.

Self Shielding Flux-cored Welding does not require separate shielding gas to protect the weld since the welding wire has special additives known as flux to protect the weld until it cools. Flux-cored welding is ideal for medium to thicker material and if welding on painted or rusty steel. Flux-cored welding is also ideal in outdoor applications where windy conditions might blow the MIG shielding gas away from the weld. Flux-cored welding produces a good looking weld but does not produce an excellent weld appearance as MIG welding does.

Your machine includes the necessary items to weld with either the MIG or the flux-cored welding process on steel. To weld on stainless steel optional stainless steel welding wire can be purchased separately. This machine can weld aluminum using .035 diameter 4043 aluminum welding wire. Since aluminum welding wire is soft an optional aluminum spool gun is recommended for best results. A welding Procedure Decal is located inside machine door to help provide suggested settings for welding.

COMMON WELDING ABBREVIATIONS

GMAW (MIG)

- Gas Metal Arc Welding

FCAW (Innershield or Outershield)

- Flux Core Arc Welding

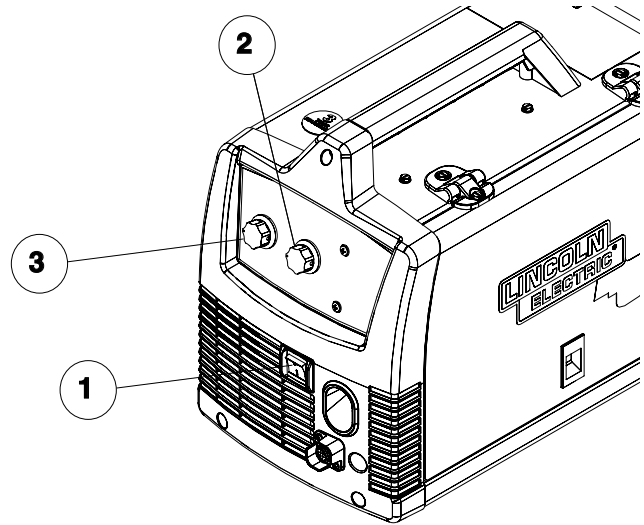
CONTROLS AND SETTINGS

This machine has the following controls:

See Figure B.1

1. **POWER SWITCH** – Turns power on and off to the machine.
2. **ARC VOLTAGE CONTROL** – This knob sets the output voltage of the machine. Along with wire feed speed (WFS) this control sets a weld procedure. Refer to the procedure decal on the inside wire drive compartment door to set a correct welding procedure based on type of material and thickness being welded.
3. **WIRE FEED SPEED CONTROL (WFS)** – The knob sets the speed that the machine feeds wire. Along with arc voltage this control sets a weld procedure. Refer to the procedure decal on the inside wire drive compartment door to set a correct welding procedure based on type of material and thickness being welded.

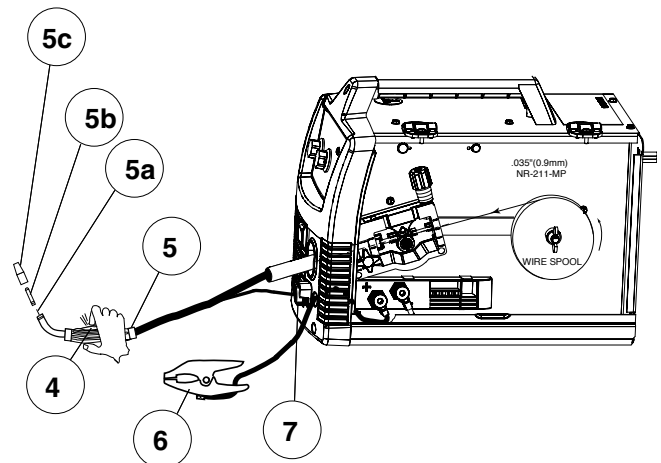
FIGURE B.1



See Figure B.2

4. **GUN TRIGGER** – Depress the trigger to activates the wire drive to feed wire and energizes the output of the machine. Depress the trigger to weld and release the trigger to stop welding.
5. **WELDING GUN** – Delivers wire and welding current to the weld.
 - a. **Gun Liner** – wire travels through the liner from the wire drive. The gun liner will feed .025 to .035 wire. The 180A machine can weld with .045 wire if an optional .045 liner is installed in the gun.
 - b. **Contact Tip** – provides electrical contact to the wire.
 - c. **Nozzle** – When flux-cored welding the black nozzle protects the mounting threads on the gun. When MIG welding the brass nozzle funnels the shielding gas to the weld.
6. **WORK CLAMP & CABLE** – Clamps to the work piece being welded and completes the electrical welding circuit.
7. **GUN TRIGGER CONNECTOR RECEPTACLE** – Plug the 4 pin gun trigger connector into this receptacle.

FIGURE B.2

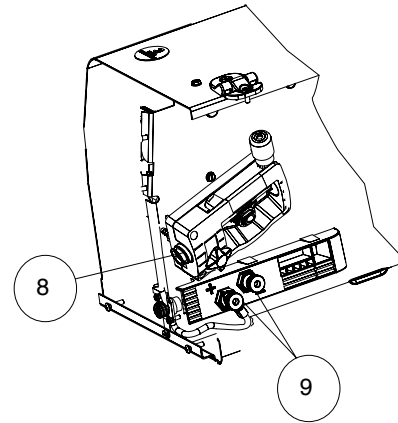


See Figure B.3

8. WELDING GUN CONNECTOR BUSHING & THUMBSCREW – Provides electrical power to the welding gun. The thumbscrew holds the welding gun into the connector block. (Front of Machine, Side Door and Wire Drive Cover have been removed for clarity of Items 8 and 9).

9. OUTPUT TERMINALS –These connections allow to change the welding polarity of the machine depending on whether you are MIG welding or flux-cored welding.

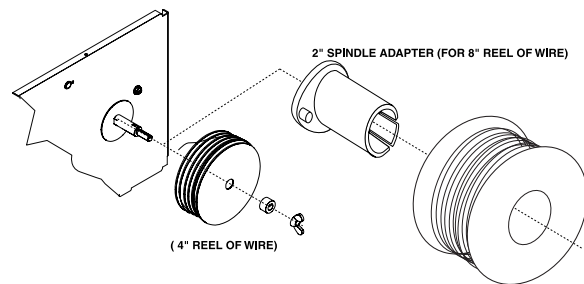
FIGURE B.3



See Figure B.4

10. WIRE SPOOL SPINDLE AND BRAKE – Holds a 4 inch diameter spool. Use the 2 inch spindle adapter included with the machine to use 8 inch diameter spools. The thumbscrew sets the brake friction to prevent the spool from over rotating when the trigger is released.

FIGURE B.4



See Figure B.5

11. WIRE DRIVE & COMPONENTS – Feeds wire from the wire spool through the drive and through the welding gun to the weld.

a. Drive Roll – Drives the wire through the drive system. The drive roll has a groove to match the specific wire type and diameter. Refer to Table B.1 for available drive rolls.

b. Liner & Outgoing Guide – The liner guides the wire between the bearing on the Pivot Arm Assembly and Drive Roll and through the outgoing guide.

c. Drive Roll Tension Thumbscrew – Turning clockwise increases the force on the drive roll and turning counterclockwise decreases the force.

FIGURE B.5

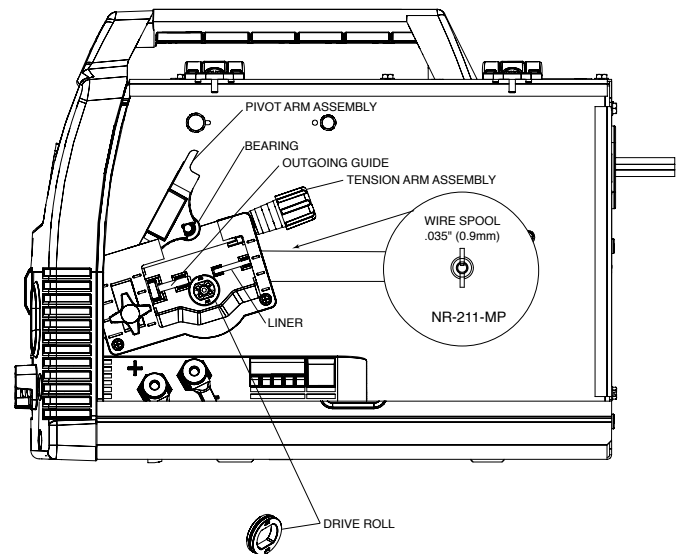


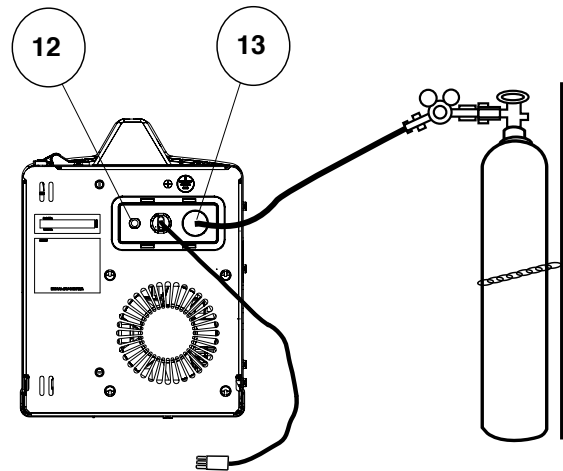
TABLE B.1
DRIVE ROLLS

Wire Diameter & Type	Drive Roll	Drive Roll Part Number
.025 MIG wire	.025/.030 Smooth Drive Roll	KP2529-1
.030 MIG wire		
.035 MIG wire	.035 Smooth Drive Roll	KP2529-2
.030 flux-cored	.030/.045 Knurled Drive Roll	KP2529-3
.035 flux-cored		
.045 flux-cored	.030/.045 Knurled Drive Roll	KP2529-3

See Figure B.6

- 12. **CIRCUIT BREAKER** – If the rated input current of the machine is exceeded this circuit breaker will trip. Press to reset.
- 13. **GAS INLET** –Shielding gas connects to this inlet (This is optional on 125 Amp Unit.)

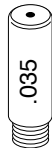
FIGURE B.6



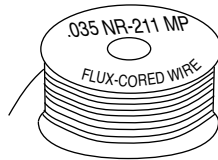
SETTING UP AND MAKING A FLUX-CORED WELD

A. ITEMS NEEDED FOR FLUX CORED WELDING

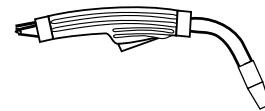
- 1. .035 Contact Tip



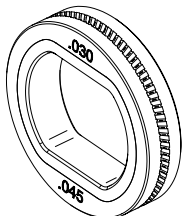
- 3. .035 NR-211MP Flux-Cored Wire



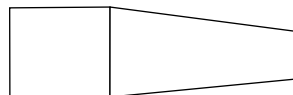
- 5. Welding Gun



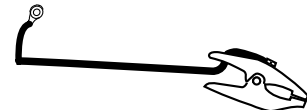
- 2. Knurled Drive Roll



- 4. Black Flux Cored gun nozzle



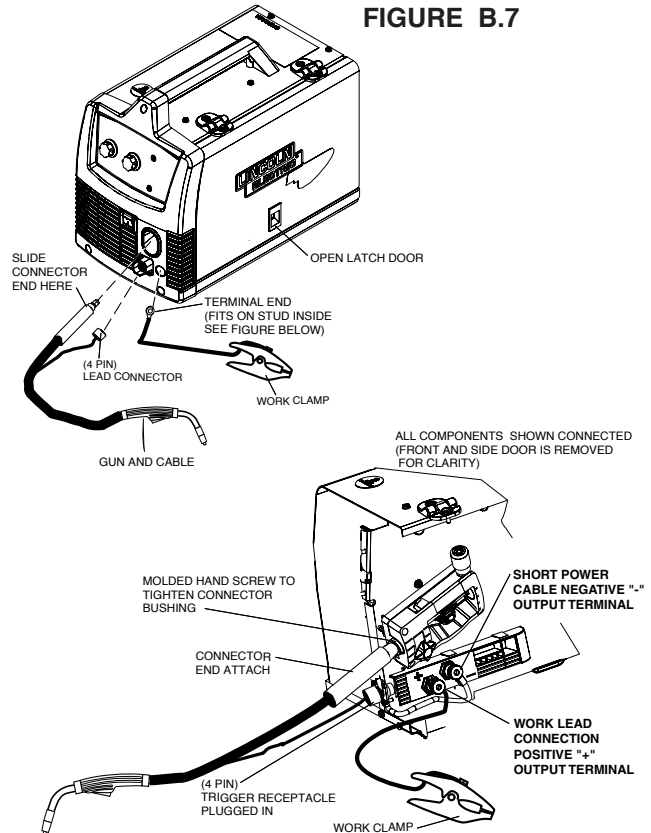
- 7. Work Cable & Clamp



B. CONNECT LEADS AND CABLES ON THE MACHINE

(See Figure B.7)

1. Open the case side door
2. Slide the connector end of the gun and cable through the hole in the machine front and into the gun connector bushing on the wire drive.
3. Make sure the gun connector end is seated fully into the wire drive and tighten the molded hand screw to secure the gun connector.
4. Plug the gun trigger lead connector into the 4 pin gun trigger receptacle on the machine front.
5. Wire Drive Polarity. Flux cored welding requires negative (-) polarity. Connect the short power cable from the wire drive to the negative (-) output terminal and tighten threaded knob.
6. Work Lead Connection. Slide the lugged end of the work cable through the hole in the machine front and place on the positive (+) output terminal and tighten threaded knob.

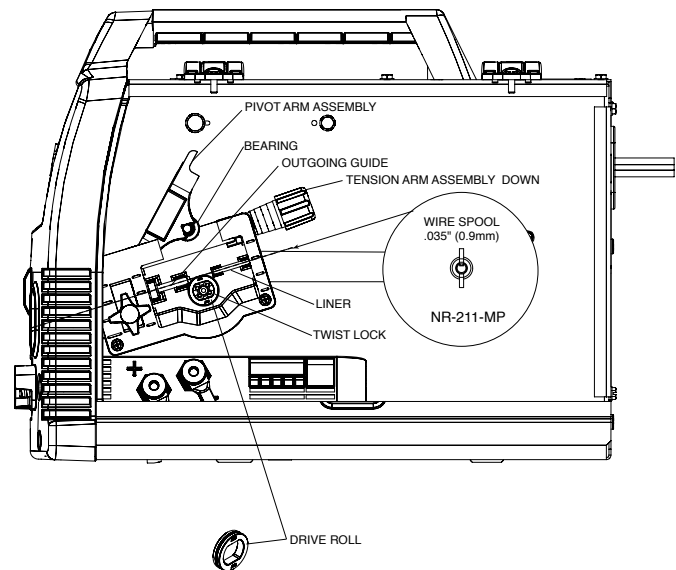


C. LOAD WIRE SPOOL

(See Figure B.8)

1. Locate the blue labeled 4" diameter spool of .035 NR-211MP flux-cored wire and place onto wire spool spindle. Orient the spool so that the wire feeds off the top of the spool.
2. Secure spool in place by tightening the wing nut against the spacer that holds the wire spool on the spindle.
3. Open the pivot arm assembly by rotating the tension arm assembly down and lift pivot arm assembly up.
4. Remove drive roll by turning the twist lock that holds the drive roll on. Install the .030/.045 knurled drive roll.
5. Carefully unwind and straighten the first six inches of welding wire from the spool. Do not let the end of the wire go to prevent the wire from unspooling.

FIGURE B.8



(See Figure B.9)

6. Feed the wire through the inlet liner, over the drive roll groove, thru the outgoing guide and wire drive outlet on the gun side.
7. Close the Pivot Arm Assembly and secure by pivoting the Tension Arm Assembly back to the up position.

(See Figure B.10)

8. Remove the nozzle from the gun and contact tip and straighten the gun out flat.
9. Turn the machine power to on and depress the gun trigger to feed the wire through the gun liner until the wire comes out of the threaded end of the gun several inches. (See figure B.11)
10. When trigger is released spool of wire should not unwind. Adjust wire spool brake accordingly.

⚠ WARNING



MOVING PARTS AND ELECTRICAL CONTACT CAN CAUSE INJURY OR BE FATAL.

- When the gun trigger is depressed drive rolls, spool of wire and electrode are **ELECTRICALLY LIVE (HOT)**.

- Keep away from moving parts and pinch points.

- Keep all Doors, Covers, panels and guards securely in place.

DO NOT REMOVE OR CONCEAL WARNING LABELS.



11. Install the .035 contact tip
12. Install the black flux cored welding nozzle to the gun.
13. Trim the wire stickout to 3/8" from the contact tip. (See Figure B.12)
14. Close the case side door. The machine is now ready to weld.
15. Read "Learn to Weld" (LTW1) that is included with the machine or watch the "How to Weld" DVD included with the machine.
16. Based on the thickness of the material you are going to weld and the type and diameter of the welding wire set the voltage and the wire feed speed per the procedure decal attached to the inside of the wire drive compartment door.

FIGURE B.9

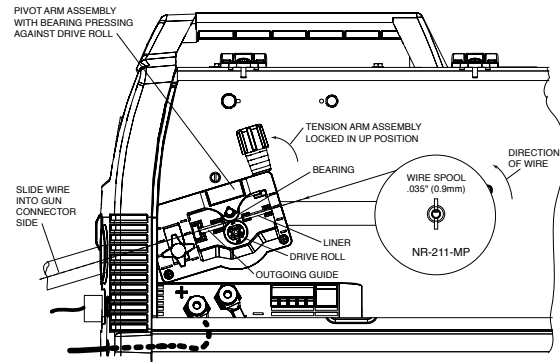


FIGURE B.10

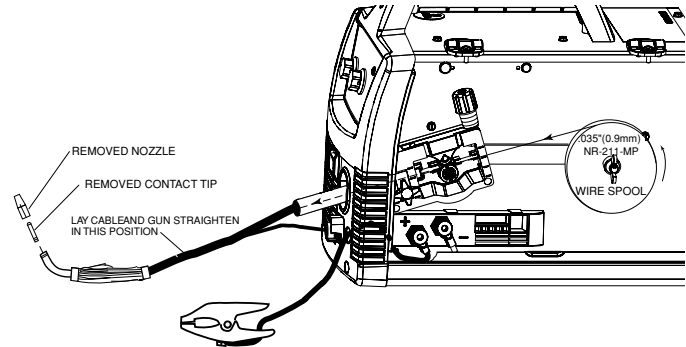


FIGURE B.11

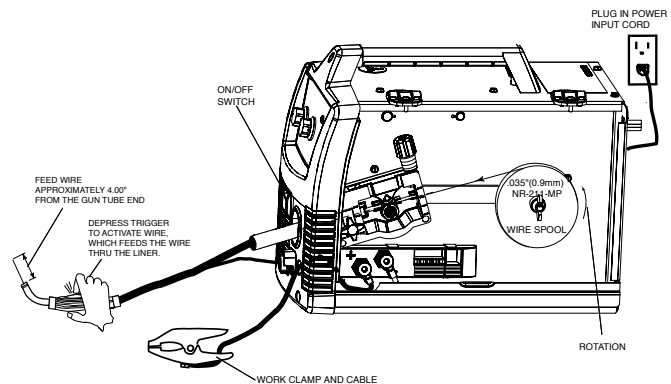
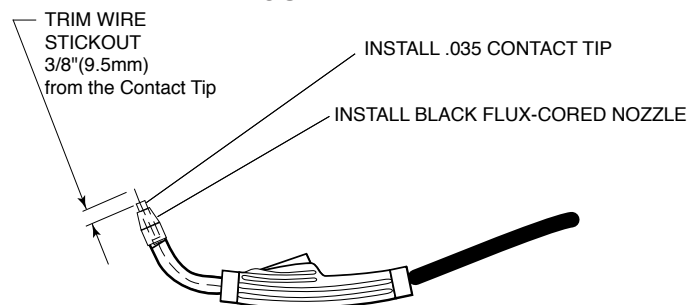


FIGURE B.12



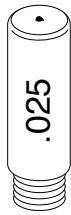
WIRE FEEDER WELDERS (125, 140, 180 MODELS)



SETTING UP AND MAKING A MIG WELD*

A. ITEMS NEEDED FOR MIG WELDING

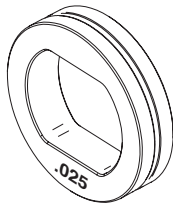
1. .025 Contact Tip



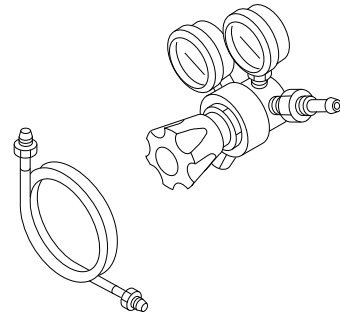
7. Work Cable & Clamp



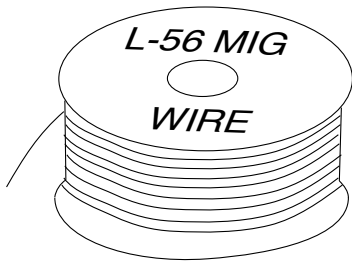
3. .025 Drive Roll



8. Gas Regulator & Gas Line

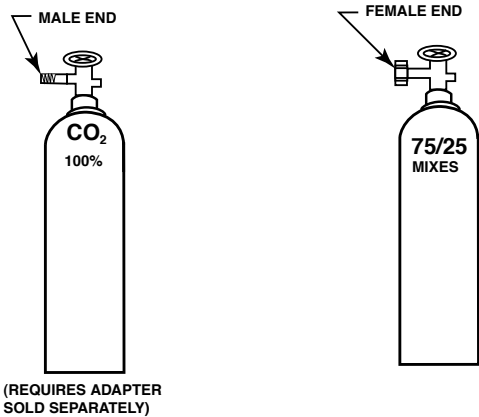
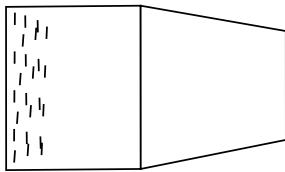


4. .025 SuperArc L-56 Solid MIG Wire

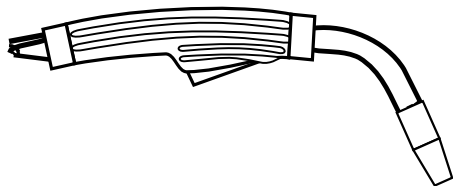


9. Bottle of 75/25 Ar/CO₂ shielding gas (or 100% CO₂ shielding gas) (note this requires a CO₂ regulator adapter which is sold separately).

5. Brass gun nozzle



6. Welding Gun



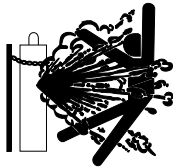
* 125 Amp Units can be upgraded for MIG welding using KIT K2526-1 (See Accessory Section).

B. INSTALL SHIELDING GAS

MIG welding requires an appropriate bottle of shielding gas. For mild steel either a cylinder bottle of Ar/CO₂ or 100% CO₂ can be used refer to the following instructions to properly connect shielding gas to the machine.

⚠ WARNING

CYLINDER may explode if damaged. Keep cylinder upright and chained to support



- Keep cylinder away from areas where it may be damaged.
- Never lift welder with cylinder attached.
- Never allow welding electrode to touch cylinder.
- Keep cylinder away from welding or other live electrical circuits.

⚠ WARNING

BUILDUP OF SHIELDING GAS may harm health or kill.



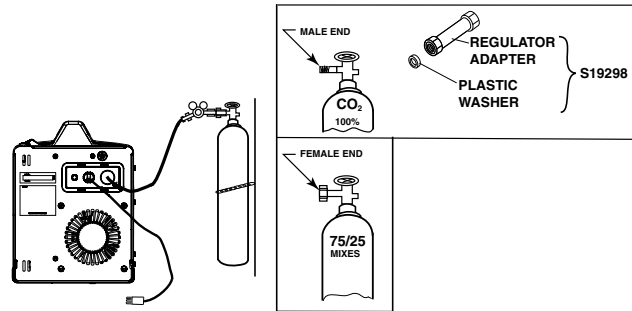
- Shut off shielding gas supply when not in use.

1. Secure the cylinder to a wall or other stationary support to prevent the cylinder from falling over. Insulate the cylinder from the work circuit and earth ground. Refer to Figure B.13.
2. With the cylinder securely installed, remove the cylinder cap. Stand to one side away from the outlet and open the cylinder valve very slightly for an instant. This blows away any dust or dirt which may have accumulated in the valve outlet.

⚠ WARNING

BE SURE TO KEEP YOUR FACE AWAY FROM THE VALVE OUTLET WHEN “CRACKING” THE VALVE. Never stand directly in front of or behind the flow regulator when opening the cylinder valve. Always stand to one side.

FIGURE B.13



3. Attach the flow regulator to the cylinder valve and tighten the union nut securely with a wrench.

NOTE: If connecting to 100% CO₂ cylinder, a CO₂ regulator adapter is required. Purchase separately S19298 CO₂ adapter be sure to install plastic washer included in the fitting on the bottle side.(See Figure B.13)

4. Refer to Figure B.13. Attach one end of inlet gas hose to the outlet fitting of the flow regulator and tighten the union nut securely with a wrench. Connect the other end to the machine Solenoid Inlet Fitting (5/8-18 female threads — for CGA — 032 fitting). Make certain the gas hose is not kinked or twisted.

SHIELDING GAS

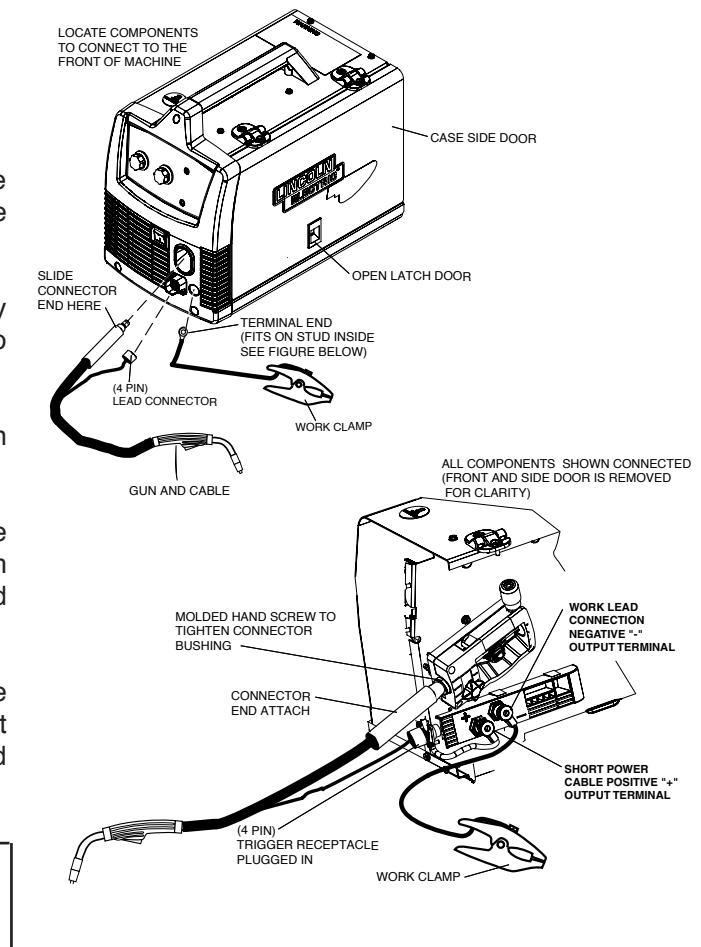
1. For CO₂, open the cylinder very slowly. For argon-mixed gas, open cylinder valve slowly a fraction of a turn. When the cylinder pressure gauge pointer stops moving, open the valve fully.
2. Set gas flow rate for 30 to 40 cubic feet per hour (14 to 18 l/min.) under normal conditions, increase to as high as 40 to 50 CFH (18 to 23.5 l/min.) under drafty (slightly windy) conditions.
3. Keep the cylinder valve closed, except when using the machine.

C. CONNECT LEADS AND CABLES ON THE MACHINE

(See Figure B.14)

1. Open the case side door.
2. Slide the connector end of the gun and cable through the hole of the machine front and into the gun connector bushing on the wire drive.
3. Make sure the gun connector end is seated fully into the wire drive and tighten the thumbscrew to secure the gun.
4. Plug the gun trigger lead connector into the 4 pin gun trigger receptacle on the machine front.
5. Wire Drive Polarity. MIG welding requires Positive (+) polarity. Connect the short power cable from the wire drive to the positive (+) output terminal and tighten the thumbscrew.
6. Work Lead Connection. Slide the lugged end of the work cable through the hole in the machine front and place on the negative (-) output terminal and tighten thumbscrew.

FIGURE B.14

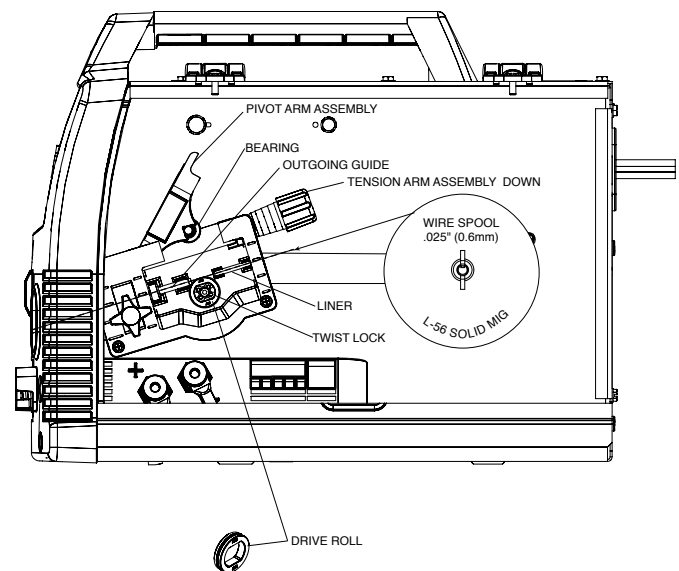


D. LOAD WIRE SPOOL

(See Figure B.15)

1. Locate the green labeled 4" diameter spool of .025 L-56 solid MIG wire and place onto wire spool spindle. Orient the spool so that the wire feeds off the top of the spool.
2. Secure spool in place by tightening the wing nut against the spacer that holds the wire spool on the spindle.
3. Open the pivot arm assembly by rotating the tension arm assembly down and lift pivot arm assembly up.
4. Remove drive roll by turning the twist lock that holds the drive roll on. Install the .025-.035 smooth grooved drive roll.
5. Carefully unwind and straighten the first six inches of welding wire from the spool. Do not let the end of the wire go to prevent the wire from unspooling.

FIGURE B.15



(See Figure B.16)

- Feed the wire through the inlet liner, over the drive roll groove, thru the outgoing guide and wire drive outlet on the gun side.
- Close the Pivot Arm Assembly and secure by pivoting the Tension Arm Assembly back to the up position.

(See Figure B.17)

- Remove the nozzle from the gun and contact tip and straighten the gun out flat.
- Turn the machine power to on and depress the gun trigger to feed the wire through the gun liner until the wire comes out of the threaded end of the gun several inches. (See Figure B.18)
- When trigger is released spool of wire should not unwind. Adjust wire spool brake accordingly.

⚠ WARNING



MOVING PARTS AND ELECTRICAL CONTACT CAN CAUSE INJURY OR BE FATAL.

- When the gun trigger is depressed drive rolls, spool of wire and electrode are **ELECTRICALLY LIVE (HOT)**.
 - Keep away from moving parts and pinch points.
 - Keep all Doors, Covers, panels and guards securely in place.
- DO NOT REMOVE OR CONCEAL WARNING LABELS.**



- Install the .025 contact tip.
- Install the brass gas MIG welding nozzle to the gun.
- Trim the wire stickout to 3/8 from the nozzle end. (See Figure B.19)
- Close the case side door. The machine is now ready to weld.
- Read "Learn to Weld" (LTW1) that is included with the machine or watch the "How to Weld" DVD included with the machine.
- Based on the thickness of the material you are going to weld and the type and diameter of the welding wire set the voltage and the wire feed speed per the procedure decal attached to the inside of the wire drive compartment door.

FIGURE B.16

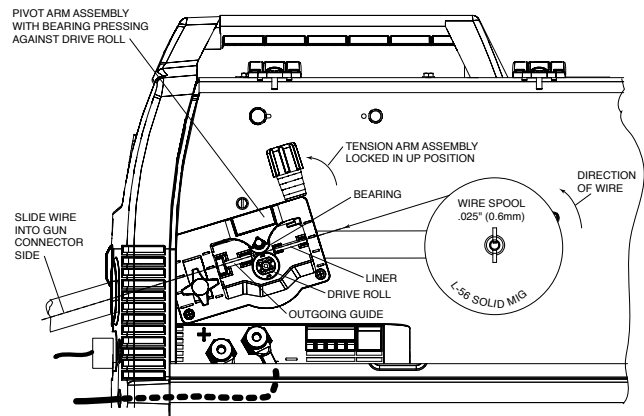


FIGURE B.17

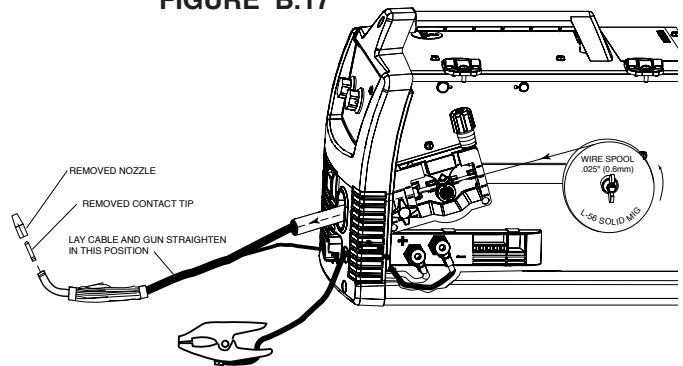


FIGURE B.18

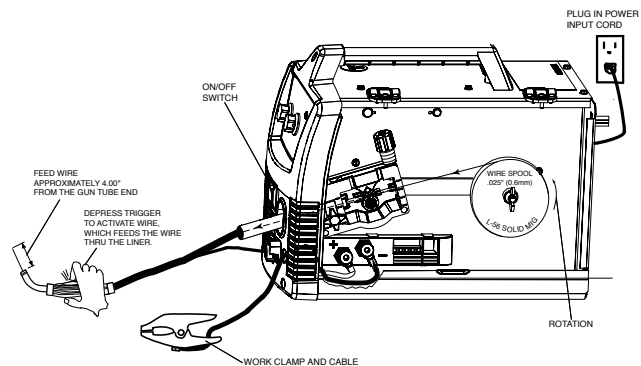
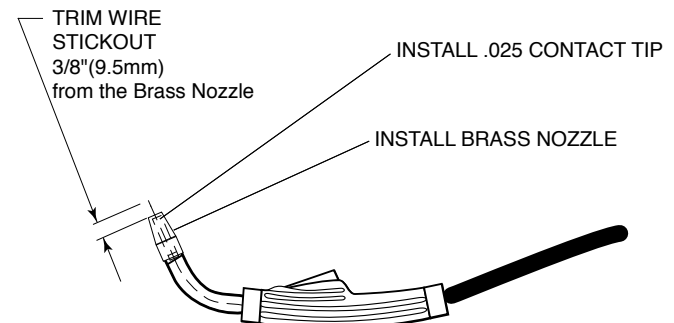


FIGURE B.19



SETTING UP AND MAKING A ALUMINUM WELD USING SPOOL GUN

1. Follow the MIG welding steps in the previous section.
2. Connect a bottle of 100% Argon shielding Gas per previous section.
3. Disconnect Magnum 100L Gun.
4. Install optional K2532-1 Magnum 100SG spool gun per instructions included with gun.
5. Set Gun selector toggle switch to Spool Gun position. (See Figure B.20)

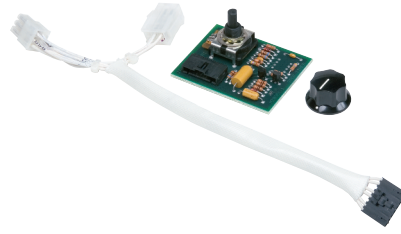
FIGURE B.20



6. Turn machine on and make weld per recommended settings on Procedure Decal inside machine door.

K2525-1 - Spot Timer Kit

Timer kit, when turned on, allows you to set a fixed weld time so that when the gun trigger is pulled the machine will weld for a fixed time period up to 10 seconds. Ideal for making consistent spot welds when welding on thin sheet metal

**K2528-1 - .045 Innershield Kit (For 230V models)**

Includes everything needed to weld with .045 diameter Innershield wire. Includes an .035/.045 Magnum™ 100L gun liner, .045 Contact Tip, gasless nozzle, knurled drive roll, .035-.045 inner wire guide, and a 10 lb. (4.5kg) spool of .045"(0.9mm) Innershield® NR®-212 wire.

**K2532-1 - Magnum 100SG Spool Gun**

Designed to easily feed small 4" diameter (1lb. spools of) .030 or .035 aluminum wire. Includes gun, adapter kit, three extra .035 contact tips, gas nozzle, and spool of Superglaze 4043 .035" diameter welding wire. Packaged in a convenient carry case.

**K2377-1 - Small Canvas Cover**

Protect your machine when not in use. Made from attractive red canvas that is flame retardant, mildew resistant and water repellent. Includes a convenient side pocket to hold welding gun.



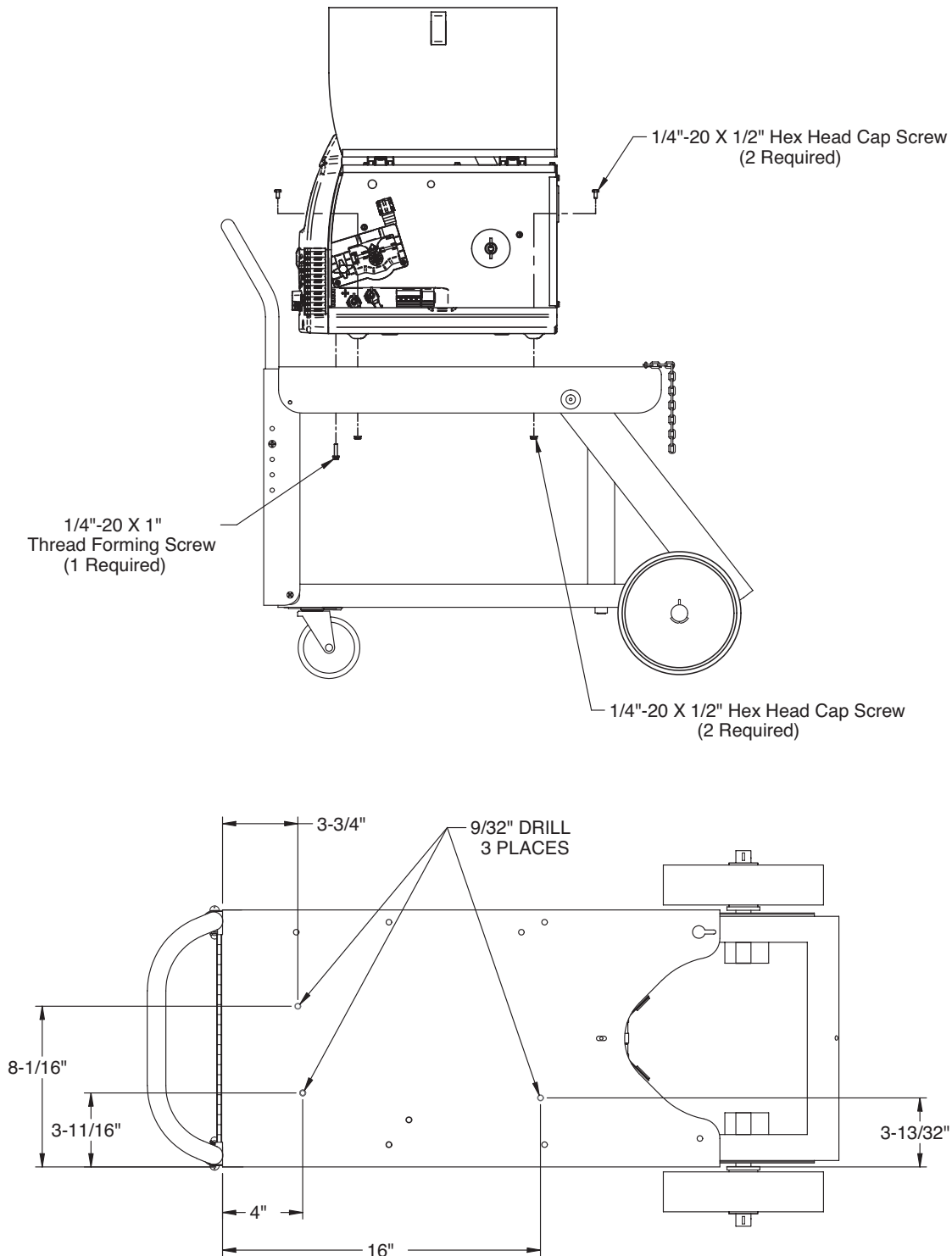
For additional Optional and Miscellaneous Parts
(See Parts Pages)

K520—Utility Cart

Heavy duty cart stores and transports welder, 150 cubic foot shielding gas cylinder, welding cables and accessories. Includes stable platforms for welder and gas bottle platform, lower tray for added storage capacity and adjustable height handle.



For mounting welding machines to K520 carts that do not have slotted mounting holes. Drill $9/32$ " holes (3 places) into the cart top as shown and attach the welding machine to the cart with the proper hardware shown.



WIRE FEEDER WELDERS (125, 140, 180 MODELS)

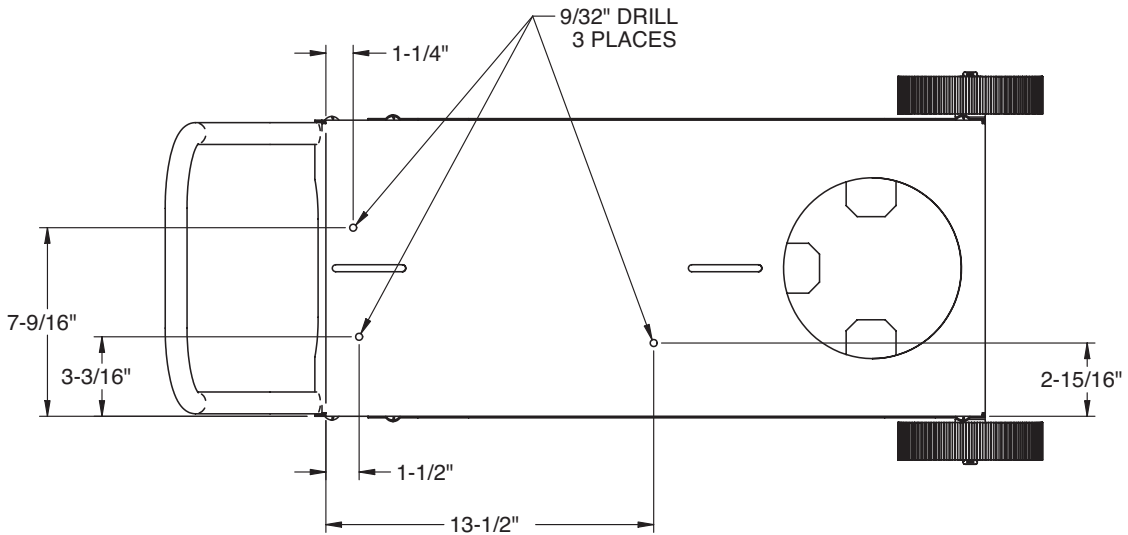
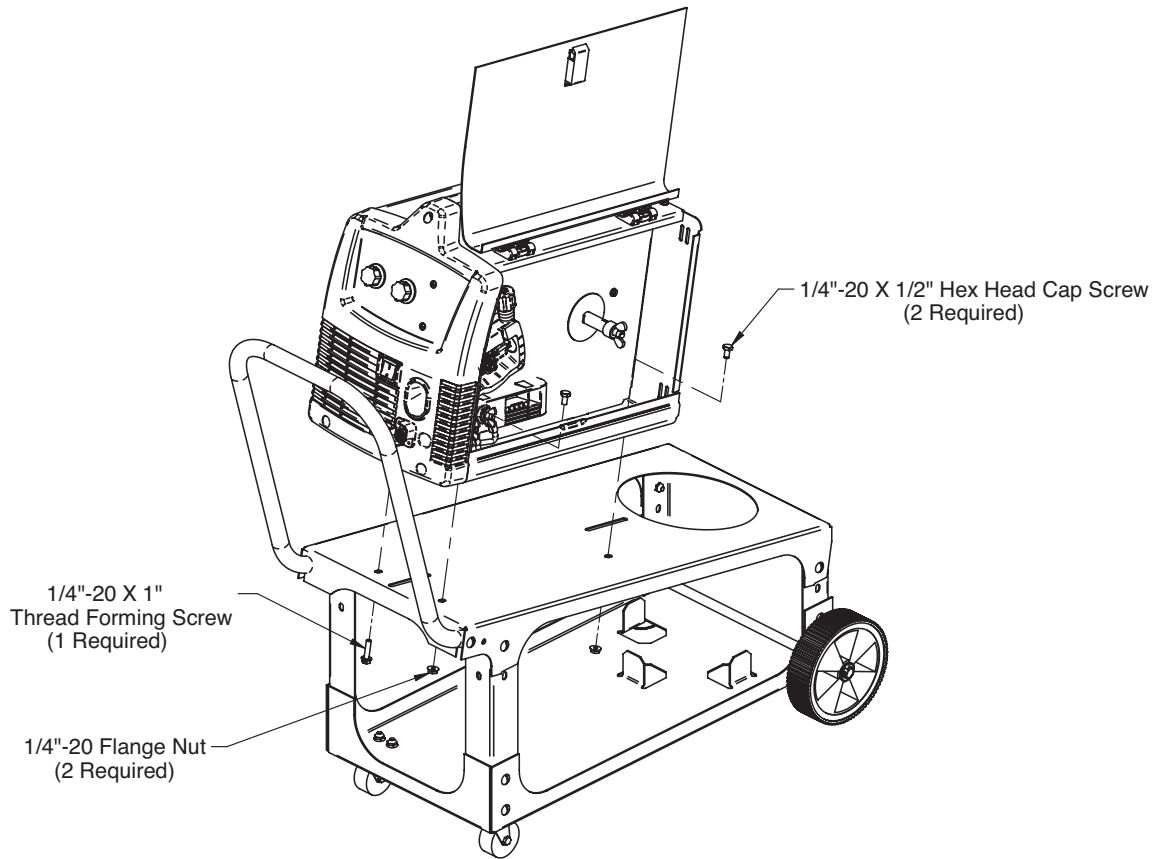


K2275-1 - Welding Cart

Lightweight cart stores and transports welder, 80 cubic foot shielding gas cylinder, welding cables and accessories. Includes an angled top shelf for easy access to controls, lower tray for added storage capacity, a sturdy fixed handle and convenient cable wrap hanger.



For mounting welding machines to K2275-1 carts that do not have slotted mounting holes. Drill 9/32" holes (3 places) into the cart top as shown and attach the welding machine to the cart with the proper hardware shown.



WIRE FEEDER WELDERS (125, 140, 180 MODELS)



MAINTENANCE

SAFETY PRECAUTIONS

WARNING



ELECTRIC SHOCK can kill.

- Disconnect input power by removing plug from receptacle before working inside WIRE FEEDER WELDERS (125,140, 180 MODELS).

Use only grounded receptacle. Do not touch electrically “hot” parts inside WIRE FEEDER WELDERS (125,140, 180 MODELS).

- Have qualified personnel do the maintenance and trouble shooting work.

ROUTINE MAINTENANCE

POWER SOURCE COMPARTMENT

No user serviceable parts inside! Do not attempt to perform service in the power source (fixed) side of the WIRE FEEDER WELDERS (125,140, 180 MODELS). Take the unit to an authorized Lincoln Service Center if you experience problems. NO maintenance is required.

In extremely dusty locations, dirt may clog the air passages causing the welder to run hot with premature tripping of thermal protection. If so, blow dirt out of the welder with low pressure air at regular intervals to eliminate excessive dirt and dust build-up on internal parts.

WIRE FEED COMPARTMENT

1. When necessary, vacuum accumulated dirt from gearbox and wire feed section.
2. Occasionally inspect the incoming guide tube and clean inside diameter if necessary.
3. Motor and gearbox have lifetime lubrication and require no maintenance.

FAN MOTOR

Has lifetime lubrication — requires no maintenance.

WIRE REEL SPINDLE

Requires no maintenance. Do **not** lubricate shaft.

GUN AND CABLE MAINTENANCE

FOR MAGNUM™ 100L GUN

Gun Cable Cleaning

Clean cable liner after using approximately 300 lbs (136 kg) of solid wire or 50 lbs (23 kg) of flux-cored wire. Remove the cable from the wire feeder and lay it out straight on the floor. Remove the contact tip from the gun. Using low pressure air, gently blow out the cable liner from the gas diffuser end.

CAUTION

Excessive pressure at the start may cause the dirt to form a plug.

Flex the cable over its entire length and again blow out the cable. Repeat this procedure until no further dirt comes out.

Contact Tips, Nozzles, and Gun Tubes

1. Dirt can accumulate in the contact tip hole and restrict wire feeding. After each spool of wire is used, remove the contact tip and clean it by pushing a short piece of wire through the tip repeatedly. Use the wire as a reamer to remove dirt that may be adhering to the wall of the hole through the tip.
2. Replace worn contact tips as required. A variable or “hunting” arc is a typical symptom of a worn contact tip. To install a new tip, choose the correct size contact tip for the electrode being used (wire size is stenciled on the side of the contact tip) and screw it snugly into the gas diffuser.
3. Remove spatter from inside of gas nozzle and from tip after each 10 minutes of arc time or as required.
4. Be sure the gas nozzle is fully screwed onto the diffuser for gas shielded processes. For the Innershield® process, the gasless nozzle should screw onto the diffuser.
5. To remove gun tube from gun, remove gas nozzle or gasless nozzle and remove diffuser from gun tube. Remove both collars from each end of the gun handle and separate the handle halves. Loosen the locking nut holding the gun tube in place against the gun end cable connector. Unscrew gun tube from cable connector. To install gun tube, screw the locking nut on the gun tube as far as possible. Then screw the gun tube into the cable connector until it bottoms. Then unscrew (no more than one turn) the gun tube until its axis is perpendicular to the flat sides of the cable connector and pointed in the direction of the trigger. Tighten the locking nut so as to maintain the proper relationship between the gun tube and the cable connector. Replace the gun handle, trigger and diffuser. Replace the gas nozzle or gasless nozzle.

OVERLOAD PROTECTION

Output Overload

The WIRE FEEDER WELDERS (125,140, 180 MODELS) is equipped with a circuit breaker and a thermostat which protects the machine from damage if maximum output is exceeded. The circuit breaker button will extend out when tripped. The circuit breaker must be manually reset.

Thermal Protection

The WIRE FEEDER WELDERS (125,140, 180 MODELS) has a rated output duty cycle as defined in the Technical Specification page. If the duty cycle is exceeded, a thermal protector will shut off the output until the machine cools to a reasonable operating temperature. This is an automatic function of the WIRE FEEDER WELDERS (125,140, 180 MODELS) and does not require user intervention. The fan continues to run during cooling.

Electronic Wire Drive Motor Protection

The WIRE FEEDER WELDERS (125,140, 180 MODELS) has built-in protection for wire drive motor overload.

CHANGING LINER

NOTICE: The variation in cable lengths prevents the interchangeability of liners. Once a liner has been cut for a particular gun, it should not be installed in another gun unless it can meet the liner cutoff length requirement. Refer to Figure D.2.

1. Remove the gas nozzle from the gun by unscrewing counter-clockwise.
2. Remove the existing contact tip from the gun by unscrewing counter-clockwise.
3. Remove the gas diffuser from the gun tube by unscrewing counter-clockwise.
4. Lay the gun and cable out straight on a flat surface. Loosen the set screw located in the brass connector at the wire feeder end of the cable. Pull the liner out of the cable.
5. Insert a new untrimmed liner into the connector end of the cable. Be sure the liner bushing is stenciled appropriately for the wire size being used.
6. Fully seat the liner bushing into the connector. Tighten the set screw on the brass cable connector. At this time, the gas diffuser should not be installed onto the end of the gun tube.
7. With the gas nozzle and diffuser removed from the gun tube, be sure the cable is straight, and then trim the liner to the length shown in the Figure D.2. Remove any burrs from the end of the liner.

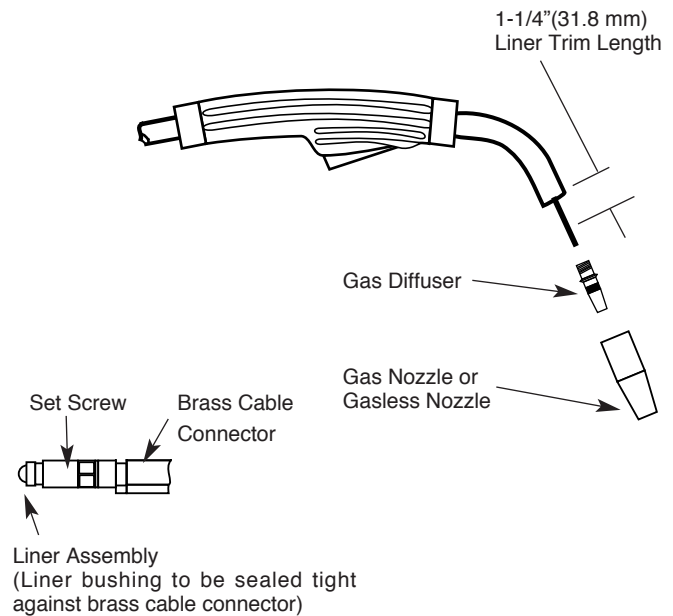


FIGURE D.2
Liner trim length

8. Screw the gas diffuser onto the end of the gun tube and securely tighten.
9. Replace the contact tip and nozzle.

GUN HANDLE PARTS

The gun handle consists of two halves that are held together with a collar on each end. To open up the handle, turn the collars approximately 60 degrees counter-clockwise until the collar reaches a stop. Then pull the collar off the gun handle. If the collars are difficult to turn, position the gun handle against a corner, place a screwdriver against the tab on the collar and give the screwdriver a sharp blow to turn the collar past an internal locking rib. See Figure D-3.

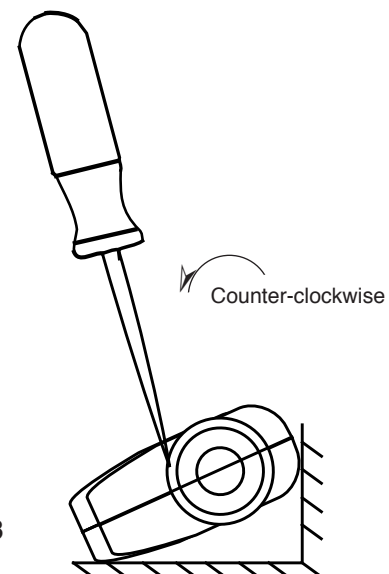


FIGURE D.3

HOW TO USE TROUBLESHOOTING GUIDE

WARNING

Service and Repair should only be performed by Lincoln Electric Factory Trained Personnel. Unauthorized repairs performed on this equipment may result in danger to the technician and machine operator and will invalidate your factory warranty. For your safety and to avoid Electrical Shock, please observe all safety notes and precautions detailed throughout this manual.

This Troubleshooting Guide is provided to help you locate and repair possible machine malfunctions. Simply follow the three-step procedure listed below.

Step 1. LOCATE PROBLEM (SYMPTOM).

Look under the column labeled “PROBLEM (SYMPTOMS)”. This column describes possible symptoms that the machine may exhibit. Find the listing that best describes the symptom that the machine is exhibiting.

Step 2. POSSIBLE CAUSE.

The second column labeled “POSSIBLE CAUSE” lists the obvious external possibilities that may contribute to the machine symptom.

Step 3. RECOMMENDED COURSE OF ACTION

This column provides a course of action for the Possible Cause, generally it states to contact your local Lincoln Authorized Field Service Facility.

If you do not understand or are unable to perform the Recommended Course of Action safely, contact your local Lincoln Authorized Field Service Facility.

CAUTION

If for any reason you do not understand the test procedures or are unable to perform the tests/repairs safely, contact your **Local Lincoln Authorized Field Service Facility** for technical troubleshooting assistance before you proceed.

Observe all Safety Guidelines detailed throughout this manual

PROBLEMS (SYMPTOMS)	POSSIBLE CAUSE	RECOMMENDED COURSE OF ACTION
OUTPUT PROBLEMS		
Major physical or electrical damage is evident.	“Do not Plug in machine or turn it on”. Contact your local Authorized Field Service Facility.	If all recommended possible areas of misadjustment have been checked and the problem persists, Contact your local Lincoln Authorized Field Service Facility.
No wire feed, weld output or gas flow when gun trigger is pulled. Fan does NOT operate.	<ol style="list-style-type: none"> 1. Make sure correct voltage is applied to the machine. 2. Make certain that power switch is in the ON position. 3. Make sure circuit breaker is reset. 	
No wire feed, weld output or gas flow when gun trigger is pulled. Fan operates normally.	<ol style="list-style-type: none"> 1. The thermostat may be tripped due to overheating. Let machine cool. Weld at lower duty cycle. 2. Check for obstructions in air flow. Check Gun Trigger connections. See Installation section. 3. Gun trigger may be faulty. 	

PROBLEMS (SYMPTOMS)	POSSIBLE CAUSE	RECOMMENDED COURSE OF ACTION
FEEDING PROBLEMS		
No wire feed when gun trigger is pulled. Fan runs, gas flows and machine has correct open circuit voltage (33V) – weld output.	<ol style="list-style-type: none"> 1. If the wire drive motor is running make sure that the correct drive rolls are installed in the machine. 2. Check for clogged cable liner or contact tip. 3. Check for proper size cable liner and contact tip. 	If all recommended possible areas of misadjustment have been checked and the problem persists, Contact your local Lincoln Authorized Field Service Facility.

CAUTION

If for any reason you do not understand the test procedures or are unable to perform the tests/repairs safely, contact your **Local Lincoln Authorized Field Service Facility** for technical troubleshooting assistance before you proceed.

WIRE FEEDER WELDERS (125, 140, 180 MODELS)



Observe all Safety Guidelines detailed throughout this manual

PROBLEMS (SYMPTOMS)	POSSIBLE CAUSE	RECOMMENDED COURSE OF ACTION
GAS FLOW PROBLEMS		
Low or no gas flow when gun trigger is pulled. Wire feed, weld output and fan operate normally.	<ol style="list-style-type: none"> 1. Check gas supply, flow regulator and gas hoses. 2. Check gun connection to machine for obstruction or leaky seals. 	If all recommended possible areas of misadjustment have been checked and the problem persists, Contact your local Lincoln Authorized Field Service Facility.

PROBLEMS (SYMPTOMS)	POSSIBLE CAUSE	RECOMMENDED COURSE OF ACTION
WELDING PROBLEMS		
Arc is unstable – Poor starting	<ol style="list-style-type: none"> 1. Check for correct input voltage to machine. 2. Check for proper electrode polarity for process. 3. Check gun tip for wear or damage and proper size – Replace. 4. Check for proper gas and flow rate for process. (For MIG only.) 5. Check work cable for loose or faulty connections. 6. Check gun for damage or breaks. 7. Check for proper drive roll orientation and alignment. 8. Check liner for proper size. 	If all recommended possible areas of misadjustment have been checked and the problem persists, Contact your local Lincoln Authorized Field Service Facility.

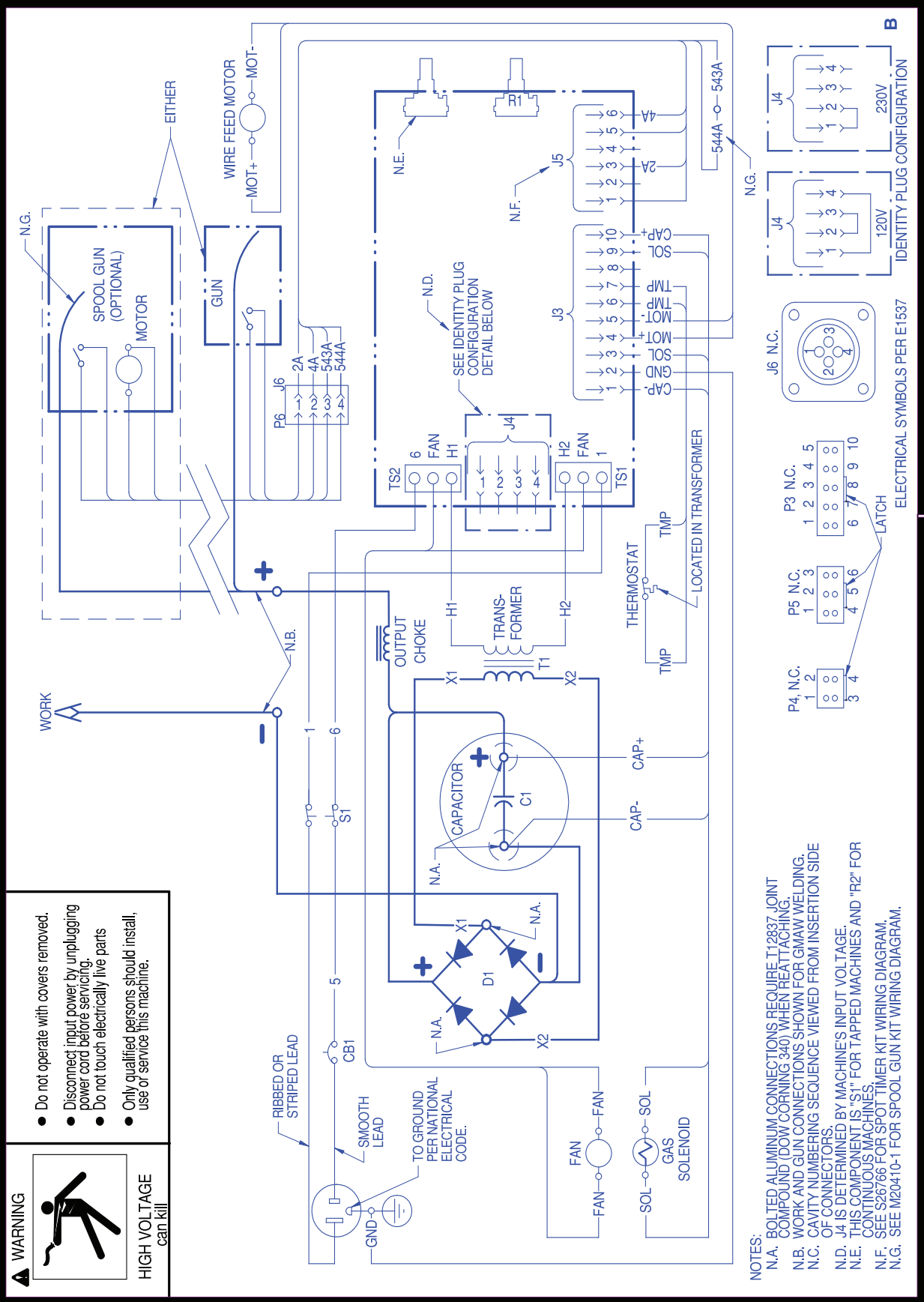
⚠ CAUTION

If for any reason you do not understand the test procedures or are unable to perform the tests/repairs safely, contact your **Local Lincoln Authorized Field Service Facility** for technical troubleshooting assistance before you proceed.

WIRE FEEDER WELDERS (125, 140, 180 MODELS)



WIRING DIAGRAM



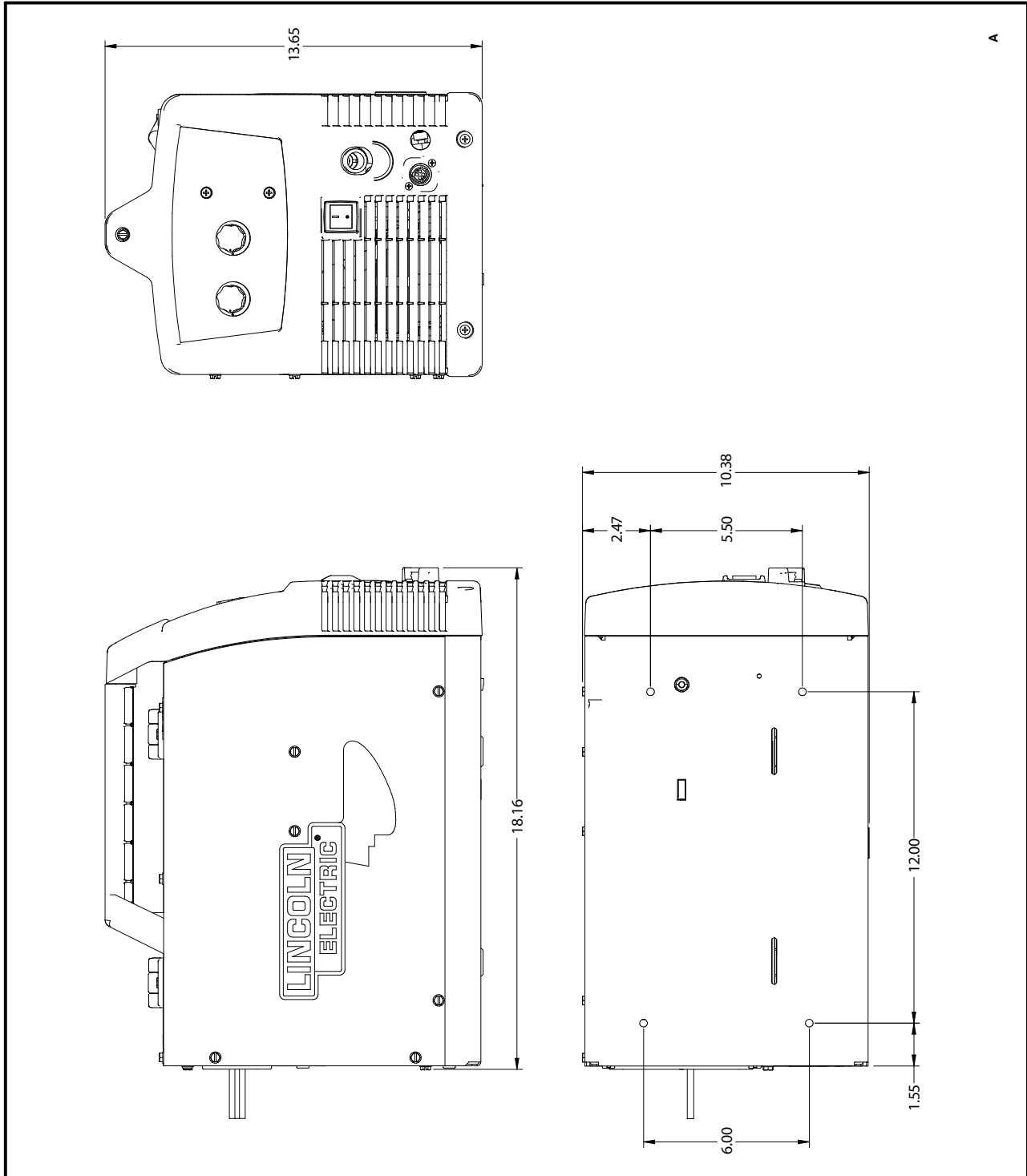
M20410

OPERATOR'S MANUAL

NOTE: This diagram is for reference only. It may not be accurate for all machines covered by this manual. The specific diagram for a particular code is pasted inside the machine on one of the enclosure panels.

WIRE FEEDER WELDERS (125, 140, 180 MODELS)





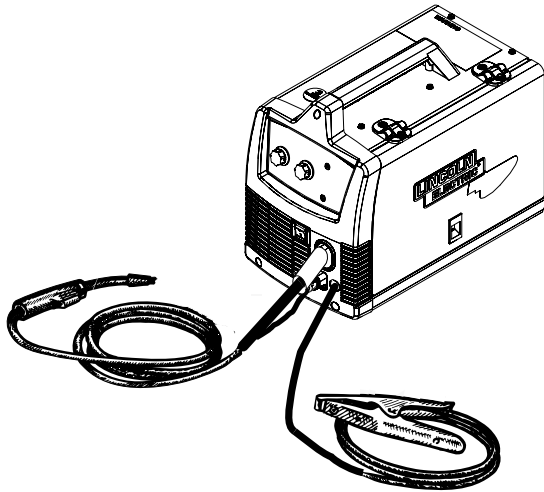
M21111-1

WIRE FEEDER WELDERS (125, 140, 180 MODELS)



Manual del Operador

ALIMENTADOR DE ALAMBRE SOLDADORA



Para usarse con máquinas con Números de Código:
**11631 por 11639 and 12100 thru
12107**



ADVERTENCIA



ADVERTENCIA DE LA LEY 65 DE CALIFORNIA



En el estado de California, se considera a las emisiones del motor de diesel y algunos de sus componentes como dañinas para la salud, ya que provocan cáncer, defectos de nacimiento y otros daños reproductivos.

Lo anterior aplica a los motores Diesel

Las emisiones de este tipo de productos contienen químicos que, para el estado de California, provocan cáncer, defectos de nacimiento y otros daños reproductivos.

Lo anterior aplica a los motores de gasolina

LA SOLDADURA AL ARCO PUEDE SER PELIGROSA. PROTEJASE USTED Y A LOS DEMAS CONTRA POSIBLES LESIONES DE DIFERENTE GRAVEDAD, INCLUSO MORTALES. NO PERMITA QUE LOS NIÑOS SE ACERQUEN AL EQUIPO. LAS PERSONAS CON MARCAPASOS DEBEN CONSULTAR A SU MEDICO ANTES DE USAR ESTE EQUIPO.

Lea y entienda los siguientes mensajes de seguridad. Para más información acerca de la seguridad, se recomienda comprar un ejemplar de "Safety in Welding & Cutting - ANIS Standard Z49.1" de la Sociedad Norteamericana de Soldadura, P.O. Box 351040, Miami, Florida 33135 ó CSA Norma W117.2-1974. Un ejemplar gratis del folleto "Arc Welding Safety" (Seguridad de la soldadura al arco) E205 está disponible de Lincoln Electric Company, 22801 St. Clair Avenue, Cleveland, Ohio 44117-1199.

ASEGURESE QUE TODOS LOS TRABAJOS DE INSTALACION, FUNCIONAMIENTO, MANTENIMIENTO Y REPARACION SEAN HECHOS POR PERSONAS CAPACITADAS PARA ELLO.



Para equipos accionados por MOTOR.

1.a. Apagar el motor antes de hacer trabajos de localización de averías y de mantenimiento, salvo en el caso que el trabajo de mantenimiento requiera que el motor esté funcionando.

1.b. Los motores deben funcionar en lugares abiertos bien ventilados, o expulsar los gases de escape del motor al exterior.



1.c. No cargar combustible cerca de un arco de soldadura cuando el motor esté funcionando. Apagar el motor y dejar que se enfríe antes de rellenar de combustible para impedir que el combustible derramado se vaporice al quedar en contacto con las piezas del motor caliente. No derramar combustible al llenar el tanque. Si se derrama, limpiarlo con un trapo y no arrancar el motor hasta que los vapores se hayan eliminado.



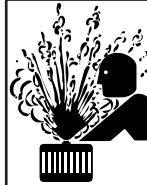
1.d. Mantener todos los protectores, cubiertas y dispositivos de seguridad del equipo en su lugar y en buenas condiciones. No acercarse las manos, cabello, ropa y herramientas a las correas en V, engranajes, ventiladores y todas las demás piezas móviles durante el arranque, funcionamiento o reparación del equipo.

1.e. En algunos casos puede ser necesario quitar los protectores para hacer algún trabajo de mantenimiento requerido. Quitarlos solamente cuando sea necesario y volver a colocarlos después de terminado el trabajo de mantenimiento. Tener siempre el máximo cuidado cuando se trabaje cerca de piezas en movimiento.



1.f. No poner las manos cerca del ventilador del motor. No tratar de sobrecontrolar el regulador de velocidad en vacío empujando las varillas de control del acelerador mientras el motor está funcionando.

1.g. Para impedir el arranque accidental de los motores de gasolina mientras se hace girar el motor o generador de la soldadura durante el trabajo de mantenimiento, desconectar los cables de las bujías, tapa del distribuidor o cable del magneto, según corresponda.



1.h. Para evitar quemarse con agua caliente, no quitar la tapa a presión del radiador mientras el motor está caliente.



LOS CAMPOS ELECTRICOS Y MAGNETICOS pueden ser peligrosos

2.a. La corriente eléctrica que circula a través de un conductor origina campos eléctricos y magnéticos (EMF) localizados. La corriente de soldadura crea campos EMF alrededor de los cables y los equipos de soldadura.

2.b. Los campos EMF pueden interferir con los marcapasos y en otros equipos médicos individuales, de manera que los operarios que utilicen estos aparatos deben consultar a su médico antes de trabajar con una máquina de soldar.

2.c. La exposición a los campos EMF en soldadura puede tener otros efectos sobre la salud que se desconocen.

2.d. Todo soldador debe emplear los procedimientos siguientes para reducir al mínimo la exposición a los campos EMF del circuito de soldadura:

2.d.1. Pasar los cables de pinza y de trabajo juntos - Encintarlos juntos siempre que sea posible.

2.d.2. Nunca enrollarse el cable de electrodo alrededor del cuerpo.

2.d.3. No colocar el cuerpo entre los cables de electrodo y trabajo. Si el cable del electrodo está en el lado derecho, el cable de trabajo también debe estar en el lado derecho.

2.d.4. Conectar el cable de trabajo a la pieza de trabajo lo más cerca posible del área que se va a soldar.

2.d.5. No trabajar al lado de la fuente de corriente.



La DESCARGA ELÉCTRICA puede causar la muerte.

3.a. Los circuitos del electrodo y de trabajo están eléctricamente con tensión cuando el equipo de soldadura está encendido. No tocar esas piezas con tensión con la piel desnuda o con ropa mojada. Usar guantes secos sin agujeros para aislar las manos.

3.b. Aislarse del circuito de trabajo y de tierra con la ayuda de material aislante seco. Asegurarse de que el aislante es suficiente para protegerle completamente de todo contacto físico con el circuito de trabajo y tierra.

Además de las medidas de seguridad normales, si es necesario soldar en condiciones eléctricamente peligrosas (en lugares húmedos o mientras se está usando ropa mojada; en las estructuras metálicas tales como suelos, emparrillados o andamios; estando en posiciones apretujadas tales como sentado, arrodillado o acostado, si existe un gran riesgo de que ocurra contacto inevitable o accidental con la pieza de trabajo o con tierra, usar el equipo siguiente:

- Equipo de soldadura semiautomática de C.C. a tensión constante.
- Equipo de soldadura manual C.C.
- Equipo de soldadura de C.A. con control de voltaje reducido.

- 3.c. En la soldadura semiautomática o automática con alambre continuo, el electrodo, carrete de alambre, cabezal de soldadura, boquilla o pistola para soldar semiautomática también están eléctricamente con tensión.
- 3.d. Asegurar siempre que el cable de trabajo tenga una buena conexión eléctrica con el metal que se está soldando. La conexión debe ser lo más cercana posible al área donde se va a soldar.
- 3.e. Conectar el trabajo o metal que se va a soldar a una buena toma de tierra eléctrica.
- 3.f. Mantener el portaelectrodo, pinza de trabajo, cable de soldadura y equipo de soldadura en unas condiciones de trabajo buenas y seguras. Cambiar el aislante si está dañado.
- 3.g. Nunca sumergir el electrodo en agua para enfriarlo.
- 3.h. Nunca tocar simultáneamente la piezas con tensión de los portaelectrodos conectados a dos equipos de soldadura porque el voltaje entre los dos puede ser el total de la tensión en vacío de ambos equipos.
- 3.i. Cuando se trabaje en alturas, usar un cinturón de seguridad para protegerse de una caída si hubiera descarga eléctrica.
- 3.j. Ver también 6.c. y 8.



Los RAYOS DEL ARCO pueden quemar.

4.a. Colocarse una pantalla de protección con el filtro adecuado para protegerse los ojos de las chispas y rayos del arco cuando se suelda o se observe una soldadura por arco abierto. Cristal y pantalla han de satisfacer las normas ANSI Z87.1.

- 4.b. Usar ropa adecuada hecha de material resistente a la flama durable para protegerse la piel propia y la de los ayudantes de los rayos del arco.
- 4.c. Proteger a otras personas que se encuentren cerca del arco, y/o advertirles que no miren directamente al arco ni se expongan a los rayos del arco o a las salpicaduras.



Los HUMOS Y GASES pueden ser peligrosos.

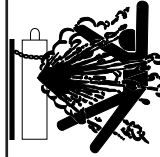
5.a. La soldadura puede producir humos y gases peligrosos para la salud. Evite respirarlos. Durante la soldadura, mantenga la cabeza alejada de los humos. Utilice ventilación y/o extracción de humos junto al arco para mantener los humos y gases alejados de la zona de respiración. **Cuando se suelda con electrodos que requieren ventilación especial (Ver instrucciones en el contenedor o la MSDS) o cuando se suelda con chapa galvanizada u otros metales o revestimientos que producen humos tóxicos, evite exponerse lo más posible y dentro de los límites aplicables según OSHA PEL y ACGIH TLV utilizando un sistema de ventilación de extracción o mecánica local. En espacios confinados y a la intemperie, puede ser necesario el uso de respiración asistida. Asimismo se deben tomar precauciones al soldar con acero galvanizado.**

- 5.b. La operación de equipo de control de humos de soldadura se ve afectada por diversos factores incluyendo el uso adecuado y el posicionamiento del equipo así como el procedimiento de soldadura específico y la aplicación utilizada. El nivel de exposición del trabajador deberá ser verificado durante la instalación y después periódicamente a fin de asegurar que está dentro de los límites OSHA PEL y ACGIH TLV permisibles.
- 5.c. No soldar en lugares cerca de una fuente de vapores de hidrocarburos clorados provenientes de las operaciones de desengrase, limpieza o pulverización. El calor y los rayos del arco puede reaccionar con los vapores de solventes para formar fosgeno, un gas altamente tóxico, y otros productos irritantes.
- 5.c. Los gases protectores usados para la soldadura por arco pueden desplazar el aire y causar lesiones graves, incluso la muerte. Tenga siempre suficiente ventilación, especialmente en las áreas confinadas, para tener la seguridad de que se respira aire fresco.
- 5.d. Lea atentamente las instrucciones del fabricante de este equipo y el material consumible que se va a usar, incluyendo la hoja de datos de seguridad del material (MSDS) y siga las reglas de seguridad del empleado, distribuidor de material de soldadura o del fabricante.
- 5.e. Ver también 1.b.



Las CHISPAS DE SOLDADURA pueden provocar un incendio o una explosión.

- 6.a. Quitar todas las cosas que presenten riesgo de incendio del lugar de soldadura. Si esto no es posible, taparlas para impedir que las chispas de la soldadura inicien un incendio. Recordar que las chispas y los materiales calientes de la soldadura puede pasar fácilmente por las grietas pequeñas y aberturas adyacentes al área. No soldar cerca de tuberías hidráulicas. Tener un extintor de incendios a mano.
- 6.b. En los lugares donde se van a usar gases comprimidos, se deben tomar precauciones especiales para prevenir situaciones de riesgo. Consultar "Seguridad en Soldadura y Corte" (ANSI Estándar Z49.1) y la información de operación para el equipo que se esté utilizando.
- 6.c. Cuando no esté soldando, asegúrese de que ninguna parte del circuito del electrodo haga contacto con el trabajo o tierra. El contacto accidental podría ocasionar sobrecalentamiento de la máquina y riesgo de incendio.
- 6.d. No calentar, cortar o soldar tanques, tambores o contenedores hasta haber tomado los pasos necesarios para asegurar que tales procedimientos no van a causar vapores inflamables o tóxicos de las sustancias en su interior. Pueden causar una explosión incluso después de haberse "limpiado". Para más información, consultar "Recommended Safe Practices for the Preparation for Welding and Cutting of Containers and Piping That Have Held Hazardous Substances", AWS F4.1 de la American Welding Society .
- 6.e. Ventilar las piezas fundidas huecas o contenedores antes de calentar, cortar o soldar. Pueden explotar.
- 6.f. Las chispas y salpicaduras son lanzadas por el arco de soldadura. Usar ropa adecuada que proteja, libre de aceites, como guantes de cuero, camisa gruesa, pantalones sin bastillas, zapatos de caña alta y una gorra. Ponerse tapones en los oídos cuando se suelde fuera de posición o en lugares confinados. Siempre usar gafas protectoras con protecciones laterales cuando se esté en un área de soldadura.
- 6.g. Conectar el cable de trabajo a la pieza tan cerca del área de soldadura como sea posible. Los cables de la pieza de trabajo conectados a la estructura del edificio o a otros lugares alejados del área de soldadura aumentan la posibilidad de que la corriente para soldar traspase a otros circuitos alternativos como cadenas y cables de elevación. Esto puede crear riesgos de incendio o sobrecalentar estas cadenas o cables de izar hasta hacer que fallen.
- 6.h. Ver también 1.c.
- 6.i. Lea y siga el NFPA 51B " Estándar para Prevención de Incendios Durante la Soldadura, Corte y otros Trabajos Calientes", disponible de NFPA, 1 Batterymarch Park, PO box 9101, Quincy, Ma 022690-9101.
- 6.j. No utilice una fuente de poder de soldadura para descongelación de tuberías.



La BOTELLA de gas puede explotar si está dañada.

- 7.a. Emplear únicamente botellas que contengan el gas de protección adecuado para el proceso utilizado, y reguladores en buenas condiciones de funcionamiento diseñados para el tipo de gas y la presión utilizados. Todas las mangueras, rácores, etc. deben ser adecuados para la aplicación y estar en buenas condiciones.
- 7.b. Mantener siempre las botellas en posición vertical sujetas firmemente con una cadena a la parte inferior del carro o a un soporte fijo.
- 7.c. Las botellas de gas deben estar ubicadas:
 - Lejos de las áreas donde puedan ser golpeados o estén sujetos a daño físico.
 - A una distancia segura de las operaciones de corte o soldadura por arco y de cualquier fuente de calor, chispas o llamas.
- 7.d. Nunca permitir que el electrodo, portaelectrodo o cualquier otra pieza con tensión toque la botella de gas.
- 7.e. Mantener la cabeza y la cara lejos de la salida de la válvula de la botella de gas cuando se abra.
- 7.f. Los capuchones de protección de la válvula siempre deben estar colocados y apretados a mano, excepto cuando la botella está en uso o conectada para uso.
- 7.g. Leer y seguir las instrucciones de manipulación en las botellas de gas y el equipamiento asociado, y la publicación P-1 de CGA, "Precauciones para un Manejo Seguro de los Gases Comprimidos en los Cilindros", publicado por Compressed Gas Association 1235 Jefferson Davis Highway, Arlington, VA 22202.



PARA equipos ELÉCTRICOS

- 8.a. Cortar la electricidad entrante usando el interruptor de desconexión en la caja de fusibles antes de trabajar en el equipo.
- 8.b. Conectar el equipo a la red de acuerdo con U.S. National Electrical Code, todos los códigos y las recomendaciones del fabricante.
- 8.c. Conectar el equipo a tierra de acuerdo con U.S. National Electrical Code, todos los códigos y las recomendaciones del fabricante.

Visite <http://www.lincolnelectric.com/safety> para obtener información adicional.

Gracias —

por seleccionar un producto de **CALIDAD** fabricado por Lincoln Electric. Queremos que esté orgulloso al operar este producto de Lincoln Electric Company ••• tan orgulloso como lo estamos nosotros al ofrecerle este producto.

POLÍTICA DE ASISTENCIA AL CLIENTE

El negocio de la Lincoln Electric Company es fabricar y vender equipo de soldadura, consumibles y equipo de corte de alta calidad. Nuestro reto es satisfacer las necesidades de nuestros clientes y exceder sus expectativas. A veces, los compradores pueden pedir consejo o información a Lincoln Electric sobre el uso de sus productos. Les respondemos con base en la mejor información que tengamos en ese momento. Lincoln Electric no está en posición de garantizar o avalar dicho consejo, y no asume ninguna responsabilidad con respecto a dicha información o guía. Expresamente declinamos cualquier garantía de cualquier tipo, incluyendo cualquier garantía de conveniencia para el fin particular de algún cliente, con respecto a dicha información o consejo.

Como un asunto de consideración práctica, tampoco podemos asumir ninguna responsabilidad por actualizar o corregir dicha información o consejo una vez que se ha dado, ni tampoco el hecho de proporcionar la información o consejo crea, amplía o altera ninguna garantía en relación con la venta de nuestros productos.

Lincoln Electric es un fabricante responsable, pero la selección y uso de productos específicos vendidos por el mismo está únicamente dentro del control del cliente, y permanece su sola responsabilidad. Varias variables más allá del control de Lincoln Electric afectan los resultados obtenidos al aplicar estos tipos de métodos de fabricación y requerimientos de servicio.

Sujeto a Cambio – Esta información es precisa en nuestro mejor leal saber y entender al momento de la impresión. Sírvase consultar www.lincolnelectric.com para cualquier información actualizada.

Favor de Examinar Inmediatamente el Cartón y el Equipo para Verificar si Existe Algún Daño.

Cuando este equipo se envía, el título pasa al comprador en el momento que éste recibe el producto del transportista. Por lo tanto, las reclamaciones por material dañado en el envío las debe realizar el comprador en contra de la compañía de transporte en el momento en el que recibe la mercancía.

Por favor registre la información de identificación del equipo que se presenta a continuación para referencia futura. Esta información se puede encontrar en la placa de identificación de la máquina.

Producto _____

Número de modelo _____

Número de código o código de fecha _____

Número de serie _____

Fecha de compra _____

Lugar de compra _____

En cualquier momento en que usted solicite alguna refacción o información acerca de este equipo proporcione siempre la información que se registró anteriormente.

Registro del Producto en línea.

- Registre su máquina con Lincoln Electric ya sea vía fax o a través de Internet.
- Para envío vía fax: Llene la forma en la parte posterior de la declaración de garantía incluida en el paquete de literatura que acompaña esta máquina y envíe por fax la forma de acuerdo con las instrucciones impresas en ella.
- Para registro en línea: Visite nuestro **SITIO WEB en www.lincolnelectric.com**. Seleccione "Vínculos Rápidos" y después "Registro de Producto". Por favor llene la forma y presente su registro.

Lea este Manual de Instrucciones completamente antes de empezar a trabajar con este equipo. Guarde este manual y téngalo a mano para cualquier consulta rápida. Ponga especial atención a las diferentes consignas de seguridad que aparecen a lo largo de este manual, por su propia seguridad. El grado de importancia a considerar en cada caso se indica a continuación.

⚠ ADVERTENCIA

Este mensaje aparece cuando la información que acompaña **debe** ser seguida **exactamente** para evitar **daños personales graves** incluso **la pérdida de la vida**.

⚠ PRECAUCIÓN

Este mensaje aparece cuando la información que acompaña **debe** ser seguida para evitar **daños personales menos graves** o **daños a este equipo**.

TABLA DE CONTENIDO

Instalación	Sección A
Especificaciones Técnicas	A-1, A-2
Precauciones de Seguridad	A-2
Selección de una Ubicación Adecuada	A-2
Estibación	A-2
Inclinación	A-2
Identificación y Ubicación de los Componentes for 180 Amp and 140 Amp Units	A-3
Identificación y Ubicación de los Componentes for 125 Amp Flux Core Unit	A-3
Operación	Sección B
Seguridad y Descripción del Producto	B-1
Controles y Configuraciones	B-2, B-3
Rodillo Impulsor y Tabla de Guías de Alambre B-4	
Preparación y Realización de una Soldadura de Alambre Tubular	B-4 a B-6
Preparación y Realización de una Soldadura MIG e Instalación del Gas Protector B-7 a B-10	
Preparación y Realización de una Soldadura de Aluminio	B-11
Accesorios	Sección C
Accesorios Opcionales	C-1
Carros Utilitarios	C-2, C-3
Mantenimiento	Sección D
Precauciones de Seguridad	D-1
Compartimiento de Alimentación de Alambre, Motor del Ventilador, Mantenimiento del Carrete de Alambre	D-1
Mantenimiento de la Pistola y Cable	D-2
Protección contra Sobrecarga	D-2
Procedimientos de Reemplazo de Componentes	D-2
Localización de Averías	Sección E
Precauciones de Seguridad	E-1
Cómo Utilizar la Guía de Localización de Averías	E-1
Guía de Localización de Averías	E-2 a E-3
Diagrama de Cableado & Dibujo de Dimensión. Sección F	
Páginas de las Piezas	P-532, P-202-E

ESPECIFICACIONES TÉCNICAS Unidades de 180 Amps (K2481-1, K2515-1, K2659-1, K2689-1, K2698-1)

ENTRADA - MONOFÁSICA SOLAMENTE			
<u>Voltaje/Frecuencia Estándar</u> 230 V 60 Hz 208 V 60 Hz		<u>Corriente de Entrada</u> 20 Amps a salida nominal 20 Amps a salida nominal	
SALIDA NOMINAL			
<u>Voltaje/Ciclo de Trabajo</u> 230 V 30% 208 V 30%		<u>Corriente</u> 130 Amps 130 Amps	<u>Voltaje a Amperes Nominales</u> 20 17
SALIDA			
<u>Rango de Corriente de Soldadura</u> 30-180 Amps	<u>Voltaje de Circuito Abierto</u> 34 V	<u>Rango de Velocidad de Alambre</u> 50 - 500 pulg./min. (1.3 - 12.7 m/min.)	
TAMAÑOS RECOMENDADOS DE CABLES DE ENTRADA Y FUSIBLES			
<u>Voltaje/Frecuencia de Entrada</u> 230 V 60 Hz	<u>Tamaño de Fusible o Interruptor¹</u> Quemado lento de 40 Amps	<u>Amps de Entrada</u> 20	<u>Cable de Alimentación</u> 50 Amp, 250 V, Enchufe de Tres Entradas (Tipo NEMA 6-50P)
DIMENSIONES FÍSICAS			
<u>Altura</u> 13.7 pulg. 347 mm	<u>Ancho</u> 10.15 pulg. 258 mm	<u>Profundidad</u> 17.9 pulg. 454 mm	<u>Peso</u> 64 lbs 29 kg

¹ Si se conecta a un circuito protegido por fusibles, utilice el Fusible de Demora de Tiempo marcado con una "D".

Unidades de 140 Amps (K2480-1, K2514-1, K2658-1, K2688-1, K2697-1)

ENTRADA - MONOFÁSICA SOLAMENTE				
<u>Voltaje/Frecuencia Estándar</u> 120 V / 60 Hz		<u>Corriente de Entrada</u> 20 Amps a salida nominal		
SALIDA NOMINAL				
<u>Voltaje/Ciclo de Trabajo</u> Ciclo de Trabajo del 20%		<u>Corriente</u> 90 Amps	<u>Voltaje a Amperes Nominales</u> 19.5	
SALIDA				
<u>Rango de Corriente de Soldadura</u> 30-140 Amps	<u>Voltaje de Circuito Abierto</u> 33 V	<u>Rango de Velocidad de Alambre</u> 50 - 500 pulg./min. (1.3 - 12.7 m/min.)		
TAMAÑOS RECOMENDADOS DE CABLES DE ENTRADA Y FUSIBLES				
<u>Voltaje/Frecuencia de Entrada</u> 120 V 60 Hz	<u>Tamaño de Fusible o Interruptor^{1,2}</u> 20 Amp	<u>Amps de Entrada</u> 20	<u>Cable de Alimentación</u> 15 Amps, 250 V, Enchufe de Tres Entradas (Tipo NEMA 5-15P)	<u>Cable de Extensión</u> AWG de 3 Conductores #12 4(mm ²) o mayor Hasta 15.2m (50 pies)
DIMENSIONES FÍSICAS				
<u>Altura</u> 13.7 pulg. 347 mm	<u>Ancho</u> 10.15 pulg. 258 mm	<u>Profundidad</u> 17.9 pulg. 454 mm	<u>Peso</u> 54 lbs 24.5 kg	

¹ Si se conecta a un circuito protegido por fusibles, utilice el Fusible de Demora de Tiempo marcado con una "D".

SOLDADORAS DE ALIMENTACION DE ALAMBRE (125, 140, 180 MODELOS)



ESPECIFICACIONES TÉCNICAS

Unidades de 125 Amp (K2479-1, K2513-1, K2696-1, K2699-1 K2785-1)

ENTRADA - MONOFÁSICA SOLAMENTE				
<u>Voltaje/Frecuencia Estándar</u> 120 V / 60 Hz		<u>Corriente de Entrada</u> 20 Amps a salida nominal		
SALIDA NOMINAL				
<u>Voltaje/Ciclo de Trabajo</u> Ciclo de Trabajo del 20%		<u>Corriente</u> 90 Amps	<u>Voltaje a Amperes Nominales</u> 19	
SALIDA				
<u>Rango de Corriente de Soldadura</u> 30-125 Amps		<u>Voltaje de Circuito Abierto</u> 33 V	<u>Rango de Velocidad de Alambre</u> 50 - 500 pulg./min. (1.3 - 12.7 m/min.)	
TAMAÑOS RECOMENDADOS DE CABLES DE ENTRADA Y FUSIBLES				
<u>Voltaje/Frecuencia de Entrada</u>	<u>Tamaño de Fusible o Interruptor^{1,2}</u>	<u>Amps de Entrada</u>	<u>Cable de Alimentación</u>	<u>Cable de Extensión</u>
120 V 60 Hz	20 Amp	20	15 Amps, 250 V, Enchufe de Tres Entradas (Tipo NEMA 5-15P)	AWG de 3 Conductores #12 4(mm ²) o mayor Hasta 15.2m (50 pies)
DIMENSIONES FÍSICAS				
<u>Altura</u> 13.7 pulg. 347 mm	<u>Ancho</u> 10.15 pulg. 258 mm	<u>Profundidad</u> 17.9 pulg. 454 mm	<u>Peso</u> 48 lbs 21.7 kg	

¹Si se conecta a un circuito protegido por fusibles, utilice el Fusible de Demora de Tiempo marcado con una "D".

² **Requisitos para la salida máxima**

Para utilizar la capacidad máxima de la salida de la máquina, un circuito del rama capaz de 25 amperios en 120 voltios, 60 Hertz se requieren.

Lea toda la sección de instalación antes de empezar la misma.

PRECAUCIONES DE SEGURIDAD

⚠ ADVERTENCIA



La **DESCARGA ELÉCTRICA** puede causar la muerte.

- Sólo personal calificado puede realizar esta instalación.
- Sólo el personal que haya leído y comprendido el Manual de Operación de las SOLDADORAS DE ALIMENTACION DE ALAMBRE deberá instalar y operar este equipo.
- La máquina debe enchufarse a un receptáculo que esté aterrizado conforme a cualquier código nacional, local o cualquier otro que aplique.
- El interruptor de encendido de las SOLDADORAS DE ALIMENTACION DE ALAMBRE deberá estar en la posición de APAGADO ("O") cuando se instale el cable de trabajo y pistola, y cuando se conecte el cable de alimentación a la alimentación.

SELECCIÓN DE UNA UBICACIÓN ADECUADA

Coloque la soldadora en un lugar seco donde haya libre circulación de aire limpio hacia adentro de las rejillas en la parte posterior y hacia el frente de la unidad. Una ubicación que minimiza la cantidad de humo y suciedad que entra en las rejillas traseras reduce la posibilidad de acumular suciedad que pudiera bloquear los pasajes de aire y provocar sobrecalentamiento.

ESTIBACIÓN

La SOLDADORA DE ALIMENTACION DE ALAMBRE (MODELOS 125, 140, 180) no puede estibarse.

INCLINACIÓN

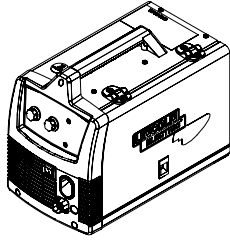
Cada máquina debe colocarse directamente sobre una superficie segura y nivelada o sobre un carro recomendado. La máquina puede caerse si no se sigue este procedimiento.

SOLDADORAS DE ALIMENTACION DE ALAMBRE (125, 140, 180 MODELOS)

IDENTIFICACIÓN Y LOCALIZACIÓN DE COMPONENTES para Unidades de 140 AMP y 180 AMP

COMPONENTES INCLUIDOS

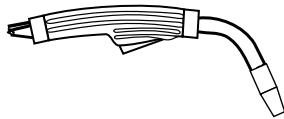
- Soldadora de Alimentador de Alambre



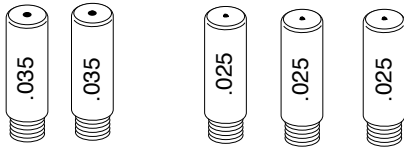
- Cable de Trabajo y Pinza.



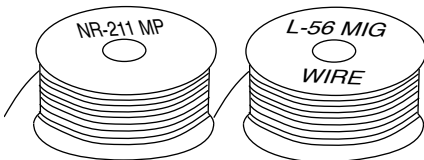
- Pistola de Soldadura Magnum 100L.



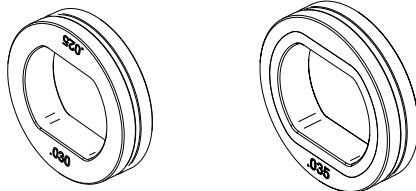
- 3 Puntas de Contacto 0.035 (1 instalada en la pistola de soldadura).
- 3 Puntas de Contacto 0.025.



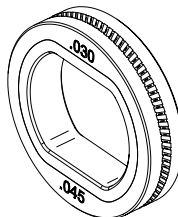
- Carrete de Alambre Tubular Innershield NR-211MP de 0.035 de diámetro.
- Carrete de Alambre MIG L-56 de 0.025 de diámetro.



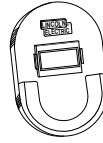
- Rodillo Impulsor Suave 0.025/.030
- Rodillo Impulsor Suave 0.035



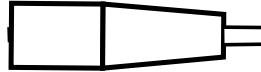
- Rodillo Impulsor Estriado .030 - .045 (Instalado en la Máquina)



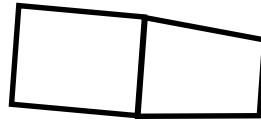
- Protector manual*
*Handshield no disponible en el código 11658.



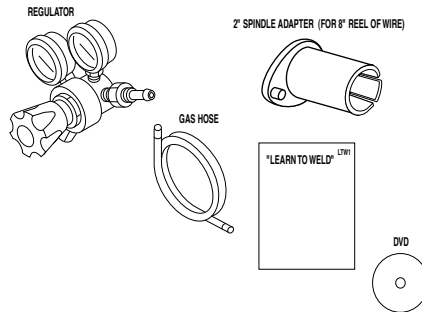
- Tobera de Pistola Sin Gas Autoprotegida Negra (Instalada en la Pistola de Soldadura)



- Tobera de Pistola con Gas MIG de Bronce



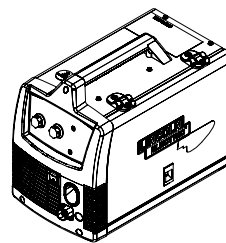
- Adaptador de Eje de 2" (Para un Carrete de Alambre de 8")
- Regulador
- Manguera de Gas
- Aprenda a Soldar (Manual LTW1)
- DVD



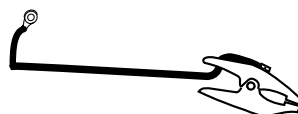
IDENTIFICACIÓN Y LOCALIZACIÓN DE COMPONENTES para UNIDAD AUTOPROTEGIDA DE 125 AMP

COMPONENTES INCLUIDOS

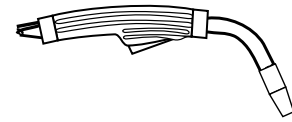
- Soldadora de Alimentador de Alambre



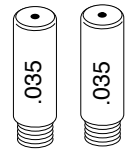
- Cable de Trabajo y Pinza.



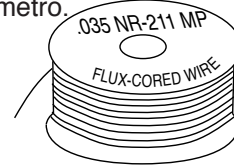
- Pistola de Soldadura Magnum 100L.



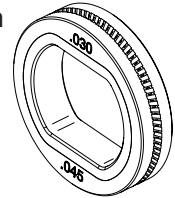
- 3 Puntas de Contacto 0.035 (1 instalada en la pistola de soldadura).



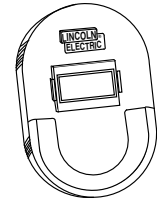
- Carrete de Alambre Tubular Innershield NR-211MP de 0.035 de diámetro.



- Rodillo Impulsor Estriado .030 - .045 (Instalado en la Máquina)



- Protector manual

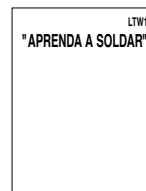
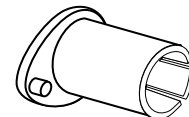


- Tobera de Pistola Sin Gas Autoprotegida Negra (Instalada en la Pistola de Soldadura)



- Adaptador de Eje de 2" (Para un Carrete de Alambre de 8")
- Aprenda a Soldar (Manual LTW1)
- DVD

ADAPTADOR DE EJE DE 2" (PARA UN CARRETE DE ALAMBRE DE 8")



SOLDADORAS DE ALIMENTACION DE ALAMBRE (125, 140, 180 MODELOS)



Lea toda la sección de operación antes de operar la SOLDADORAS DE ALIMENTACION DE ALAMBRE.

⚠ ADVERTENCIA



La **DESCARGA ELÉCTRICA** puede causar la muerte.

- No toque partes eléctricamente vivas o electrodos con la piel o ropa mojada. Aíslese del trabajo y tierra.
- Siempre use guantes aislantes secos.



Los **HUMOS Y GASES** pueden resultar peligrosos.

- Mantenga su cabeza alejada de los humos.
- Use ventilación o escape para eliminar los humos de la zona de respiración.



Las **CHISPAS DE SOLDADURA** pueden provocar un incendio o explosión.

- Mantenga lejos el material inflamable.
- No suelde en contenedores cerrados.



Los **RAYOS DEL ARCO** pueden quemar.

- Utilice protección para los ojos, oídos y cuerpo.

Observe la información de seguridad a lo largo de este manual.

DESCRIPCIÓN DEL PRODUCTO (CAPACIDADES DEL PRODUCTO)

Estas pequeñas soldadoras de alimentación de alambre portátiles son capaces de soldadura MIG en acero, acero inoxidable y aluminio. También son capaces de soldadura de alambre tubular en acero suave.

La soldadura MIG significa soldadura con Gas Inerte Metálico y requiere una botella separada de gas protector para proteger la soldadura hasta que se enfría. Es posible adquirir gas protector adecuado con base en el tipo de material que está soldando de su distribuidor local de gas de soldadura. La soldadura MIG es ideal para soldar en materiales más delgados y limpios cuando se requiere una soldadura de apariencia cosmética excelente y muy limpia. Un ejemplo podrían ser los paneles de carrocerías automotrices.

La soldadura tubular/autoprotegida no requiere gas protector separado para proteger la soldadura, ya que cuenta con aditivos especiales conocidos como fundentes para proteger a la soldadura hasta que se enfría. La Soldadura de Alambre Tubular es ideal para materiales medianamente o muy gruesos, y para soldar en acero pintado u oxidado. Este tipo de soldadura es también ideal en aplicaciones al aire libre donde las condiciones de viento pueden alejar el gas protector MIG de la soldadura. La soldadura de alambre tubular produce una soldadura de buena apariencia pero no excelente como la MIG.

Su máquina incluye los elementos necesarios para soldar en acero con el proceso de soldadura MIG o el de alambre tubular. Para soldar en acero inoxidable, es posible adquirir en forma separada un alambre de soldadura de acero inoxidable opcional. Esta máquina puede soldar aluminio utilizando un alambre de soldadura de aluminio 4043 de 0.035 de diámetro. Ya que el alambre de soldadura de aluminio es suave, se recomienda una antorcha "Spool Gun" de aluminio para mejores resultados. Dentro de la puerta de la máquina se localiza una etiqueta que proporciona sugerencias de configuraciones de soldadura.

ABREVIATURAS DE SOLDADURA COMUNES

GMAW (MIG)

- Soldadura de Arco Metálico con Gas

FCAW (Innershield or Outershield)

- Soldadura de Arco Tubular

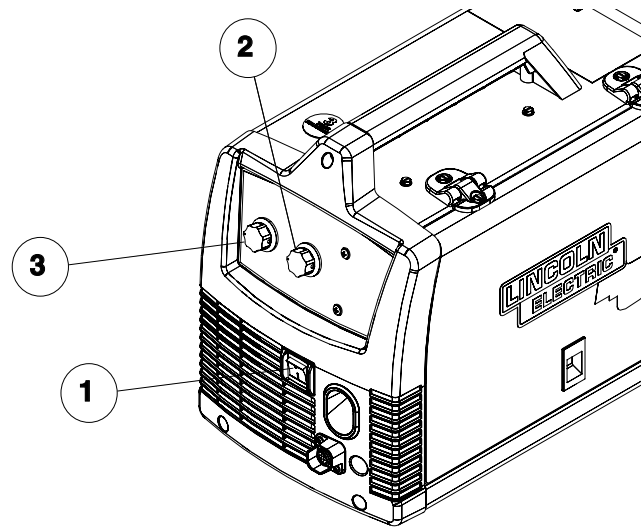
CONTROLES Y CONFIGURACIONES

Esta máquina cuenta con los siguientes controles:

Vea la Figura B.1

1. **INTERRUPTOR DE ENCENDIDO** – Apaga y enciende la máquina.
2. **CONTROL DE VOLTAJE DE ARCO** – Esta perilla establece el voltaje de salida de la máquina. Junto con la velocidad de alimentación de alambre (WFS), este control establece un procedimiento de soldadura. Consulte la etiqueta de procedimientos en la puerta del compartimiento del mecanismo de alimentación para establecer un procedimiento de soldadura correcto con base en el tipo de material y grosor que se está soldando.
3. **CONTROL DE VELOCIDAD DE ALIMENTACIÓN DE ALAMBRE (WFS)** – Esta perilla establece la velocidad con que la máquina alimenta alambre. Junto con el voltaje de arco, este control establece un procedimiento de soldadura. Consulte la etiqueta de procedimientos en la puerta del compartimiento del mecanismo de alimentación para establecer un procedimiento de soldadura correcto con base en el tipo de material y grosor que se está soldando.

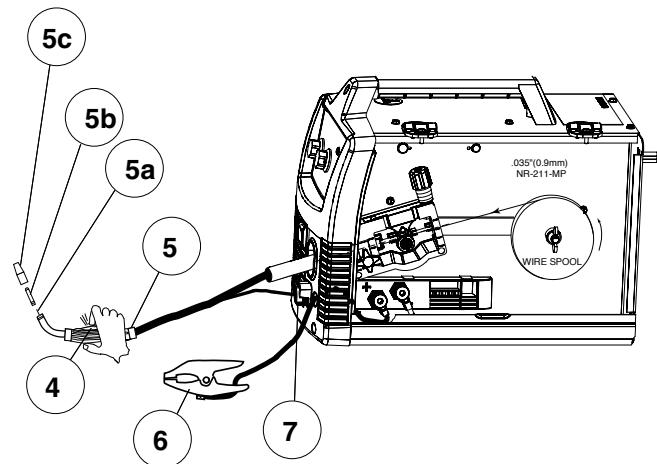
FIGURA B.1



Vea la Figura B.2

4. **GATILLO DE LA PISTOLA** – Aplanar el gatillo activa al mecanismo de alimentación para alimentar alambre y energiza la salida de la máquina. Aplane el gatillo para soldar y suéltelo para detener la soldadura.
5. **PISTOLA DE SOLDADURA** – Entrega alambre y corriente de soldadura a la soldadora.
 - a. Guía de alambre de la pistola – el alambre se desplaza a través de la guía desde el mecanismo de alimentación. La guía de alambre de la pistola alimenta alambre 0.025 a 0.035. La máquina 180A puede soldar con alambre 0.045 si una guía de alambre opcional 0.045 está instalada en la pistola.
 - b. Punta de Contacto – proporciona contacto eléctrico al alambre.
 - c. Tobera – Al soldar con alambre tubular, la tobera negra protege las roscas de montaje en la pistola. Al soldar MIG, la tobera de bronce canaliza el gas protector a la soldadura.
6. **PINZA Y CABLE DE TRABAJO** – Se abraza a la pieza de trabajo que se está soldando y completa el circuito de soldadura eléctrica.
7. **RECEPTÁCULO DEL CONECTOR DEL GATILLO DE LA PISTOLA** – Enchufe el conector del gatillo de 4 pines a este receptáculo.

FIGURA B.2



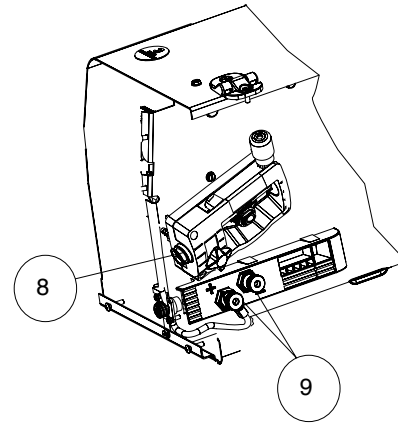
Vea la Figura B.3

8. BUJE Y TORNILLO MARIPOSA DEL CONECTOR DE LA PISTOLA DE SOLDADURA –

Proporciona energía eléctrica a la pistola de soldadura. El tornillo mariposa sujeta la pistola de soldadura al bloque del conector. (Por razones de claridad, el Frente de la Máquina, Puerta Lateral y Cubierta del Mecanismo de Alimentación fueron removidos de los Elementos 8 y 9).

9. **TERMINALES DE SALIDA** – Estas conexiones permiten cambiar la polaridad de soldadura de la máquina dependiendo de si está realizando una soldadura MIG o de alambre tubular.

FIGURA B.3

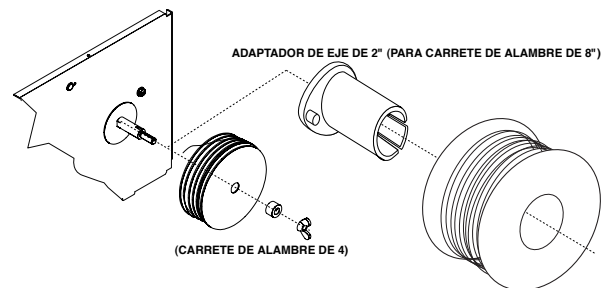


Vea la Figura B.4

10. EJE Y FRENO DEL CARRETE DE ALAMBRE –

Sostiene a un carrete de 4 pulgadas de diámetro. Utilice un adaptador de eje de 2 pulgadas para utilizar carretes de 8 pulgadas de diámetro. El tornillo mariposa establece la fricción de frenado para evitar que el carrete gire cuando se suelta el gatillo.

FIGURA B.4



Vea la Figura B.5

11. **MECANISMO DE ALIMENTACIÓN Y COMPONENTES** – Alimenta alambre desde el carrete de alambre a través del mecanismo y la pistola a la soldadura.

a. **Rodillo Impulsor** – Impulsa el alambre a través del sistema de impulsión. El rodillo impulsor tiene una ranura que corresponde al tipo y diámetro del alambre especificado. Consulte la Tabla B.1 para los rodillos impulsores disponibles.

b. **Guía de salida y enderezador** – El enderezador guía el alambre entre el rodamiento del Esamble del Brazo móvil y el Rodillo Impulsor y a través de la guía de salida.

c. **Tornillo Mariposa de Tensión del Rodillo Impulsor** – Girar a la derecha aumenta la fuerza en los rodillos impulsores y a la izquierda la disminuye.

FIGURA B.5

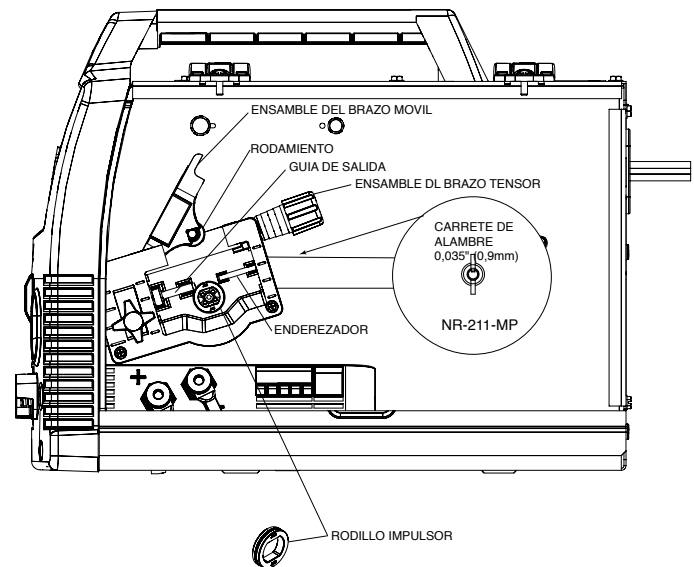


TABLA B.1
RODILLOS IMPULSORES

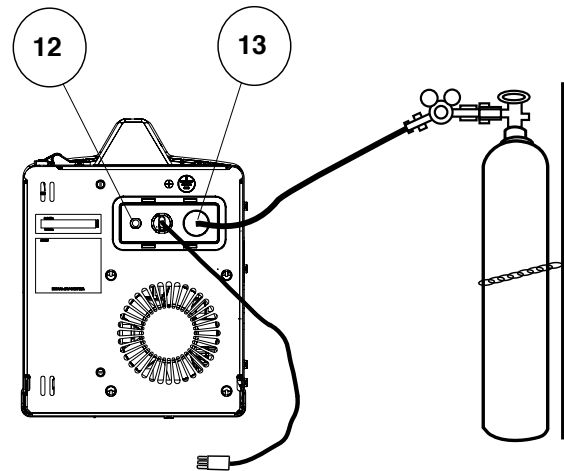
Diámetro y Tipo del Alambre	Rodillo Impulsor	No. de Parte del Rodillo Impulsor
Alambre MIG 0.025	Rodillo Impulsor Suave 0.025/.030	KP2529-1
Alambre MIG 0.030		
Alambre MIG 0.035	Rodillo Impulsor Suave 0.035	KP2529-2
Alambre Tubular 0.030	Rodillo Impulsor Estriado 0.030/0.045	KP2529-3
Alambre Tubular 0.035		
Alambre Tubular 0.045	Rodillo Impulsor Estriado 0.030/0.045	KP2529-3

Vea la Figura B.6

12. INTERRUPTOR AUTOMÁTICO – Si la corriente de entrada nominal de la máquina se excede, el interruptor automático se abre. Oprima para restablecer.

13. ENTRADA DE GAS – El gas protector se conecta a esta entrada.
(Esto s opcional en una unidad de 125 Amp)

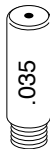
FIGURA B.6



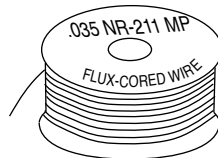
PREPARACIÓN Y REALIZACIÓN DE UNA SOLDADURA DE ALAMBRE TUBULAR

A. ELEMENTOS NECESARIOS PARA UNA SOLDADURA DE ALAMBRE TUBULAR

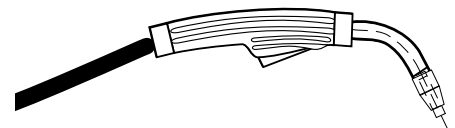
1. Punta de Contacto 0.035



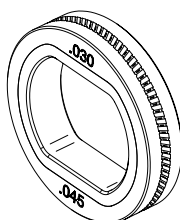
3. Alambre Tubular NR-211MP 0.035



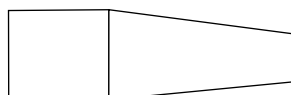
5. Pistola de Soldadura



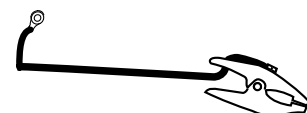
2. Rodillo Impulsor Estriado



4. Tobera de Pistola Autoprotectada Negra



7. Cable y Pinza de Trabajo Negra

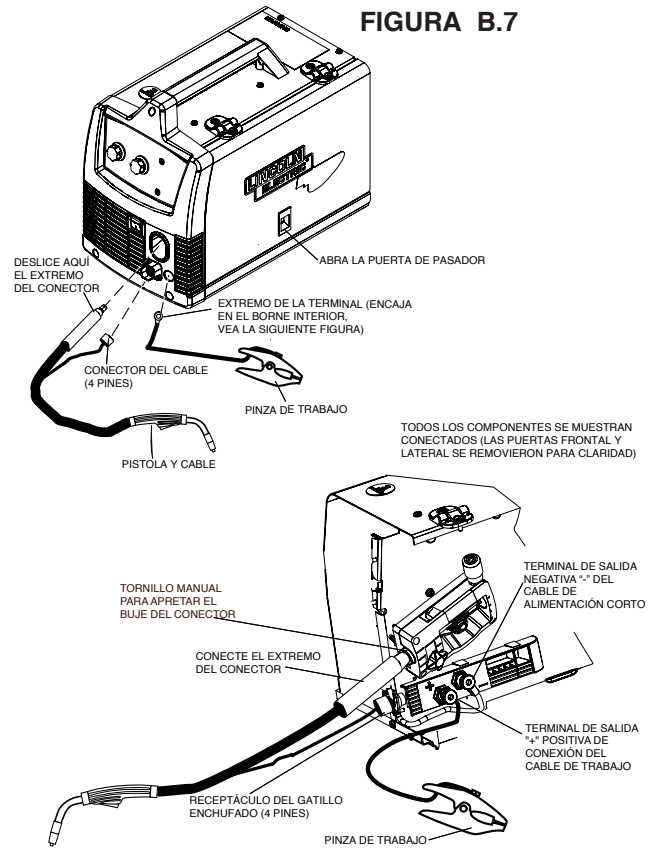


SOLDADORAS DE ALIMENTACION DE ALAMBRE (125, 140, 180 MODELOS)

B. CONEXIÓN DE LOS CABLES Y ALAMBRES A LA MÁQUINA

(Vea la Figura B.7)

1. Abra la puerta lateral del gabinete
2. Deslice el extremo del conector de la pistola y cable a través del orificio en el frente de la máquina y dentro del buje del conector de la pistola en el mecanismo de alimentación.
3. Asegúrese de que el extremo del conector de la pistola esté asentado totalmente en el mecanismo de alimentación y apriete el tornillo manual para asegurar el conector de la pistola.
4. Enchufe el conector del cable del gatillo de la pistola en el receptáculo del gatillo de la pistola de 4 pines al frente de la máquina.
5. Polaridad del Mecanismo de Alimentación. La soldadura de alambre tubular requiere polaridad negativa (-). Conecte el cable de alimentación corto a la terminal de salida negativa y apriete la perilla roscada.
6. Conexión del Cable de Trabajo. Deslice el extremo de orejeta del cable de trabajo a través del orificio al frente de la máquina y colóquelo en la terminal de salida positiva (+), y apriete la perilla roscada.

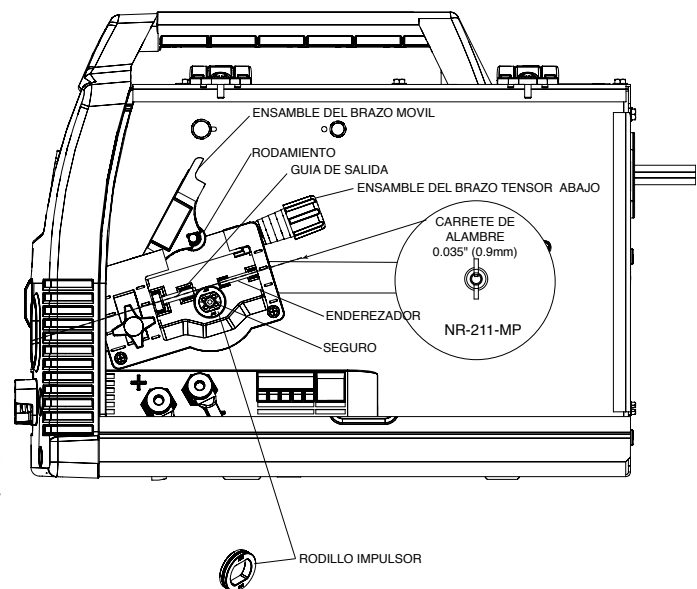


C. CARGA DEL CARRETE DE ALAMBRE

(Vea la Figura B.8)

1. Localice el carrete de etiqueta azul de 4" de diámetro de alambre tubular NR-211MP .035, y colóquelo sobre el eje de carrete de alambre. Oriente el carrete para que el alambre se alimente desde la parte superior del mismo.
2. Asegure el carrete en su lugar apretando la tuerca mariposa contra el espaciador que sujeta el carrete de alambre al eje.
3. Abra el ensamble del brazo móvil girando el ensamble del brazo tensor hacia abajo y levantando el ensamble del brazo móvil.
4. Retire el rodillo impulsor girando hasta el tope el seguro del rodillo. Instale el rodillo impulsor estriado de .030/.045.
5. Desenrede cuidadosamente y enderece las primeras seis pulgadas de alambre de soldadura del carrete. No permita que el extremo del alambre quede suelto para evitar que éste se desenrede.

FIGURA B.8



(Ver Figura B.9)

6. Alimente el alambre a través del enderezador de entrada sobre la ranura del rodillo impulsor, por la guía de salida y la salida del rodillo impulsor del lado de la pistola.

7. Cierre el Ensamble del Brazo Móvil y asegúrelo moviendo el Ensamble del brazo tensor nuevamente hacia arriba.

(Vea la Figura B.10)

8. Remueva la tobera de la pistola y punta de contacto, y enderece la pistola.

9. Encienda la alimentación de la máquina y aplane el gatillo de la pistola para alimentar el alambre a través de la guía de alambre hasta que varias pulgadas de éste salgan del extremo roscado de la pistola. (Vea la Figura B.11)

10. Cuando se suelta el gatillo, el carrete de alambre no deberá desenrollarse. Ajuste el freno del carrete conforme a esto.

⚠ ADVERTENCIA



LAS PARTES MÓVILES Y EL CONTACTO ELÉCTRICO PUEDEN PROVOCAR LESIONES O SER FATALES!

• Cuando el gatillo de la pistola se suelta, los rodillos impulsores, carrete de alambre y electrodo están ELÉCTRICAMENTE VIVOS (CALIENTES).

• Aléjese de las partes móviles y puntos de presión.

• Mantenga todas las Puertas, Cubiertas, paneles y guardas en forma segura en su lugar.

NO REMUEVA U OCULTE ETIQUETAS DE ADVERTENCIA.



11. Instale la punta de contacto .035.

12. Instale la tobera de pistola autoprotegida negra en la pistola.

13. Corte el alambre saliente a 3/8" desde la punta de contacto. (Vea la Figura B.12)

14. Cierre la puerta lateral del gabinete. La máquina está ahora lista para soldar.

15. Lea "Aprenda a Soldar" (LTW1) o vea el DVD "Cómo Soldar" que se incluyen con la máquina.

16. Con base en el grosor del material que va a soldar y el tipo y diámetro del alambre de soldadura, establezca el voltaje y velocidad de alimentación de alambre conforme a la etiqueta de procedimientos en la parte interior de la puerta del compartimiento del mecanismo de alimentación.

FIGURA B.9

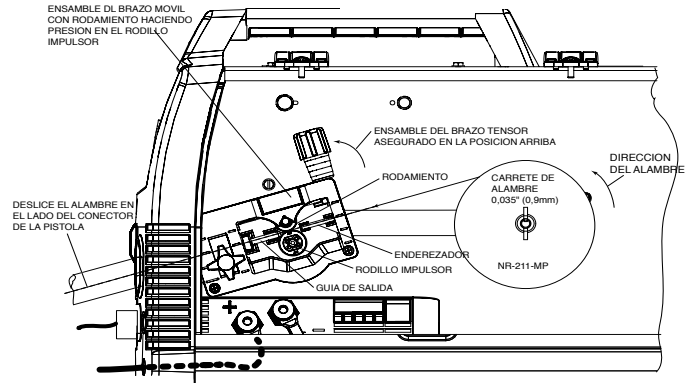


FIGURA B.10

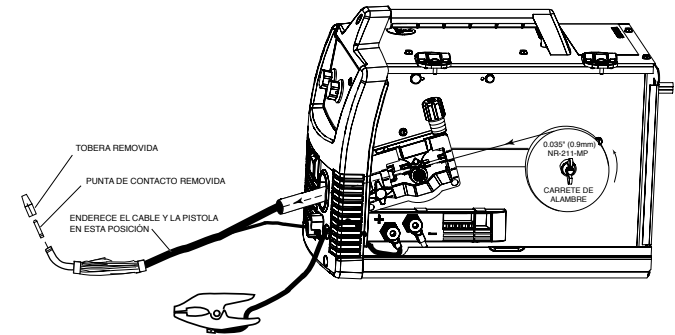


FIGURA B.11

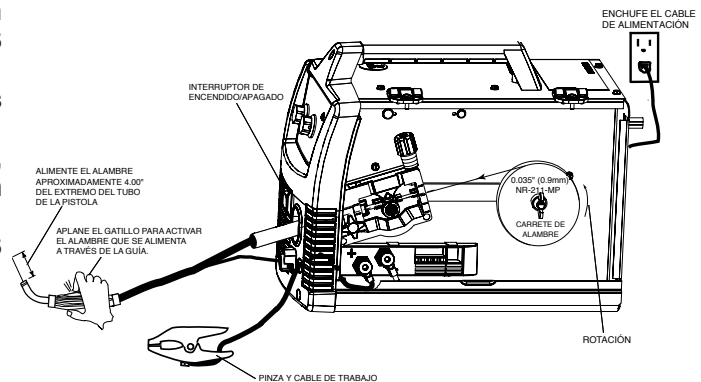
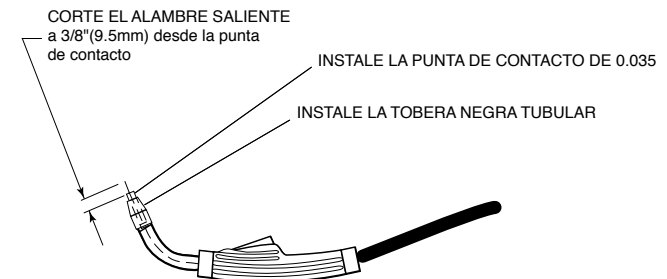


FIGURA B.12

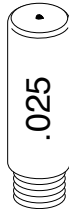


SOLDADORAS DE ALIMENTACION DE ALAMBRE (125, 140, 180 MODELOS)

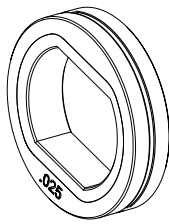
PREPARACIÓN Y REALIZACIÓN DE UNA SOLDADURA MIG*

A. ELEMENTOS NECESARIOS PARA UNA SOLDADURA MIG

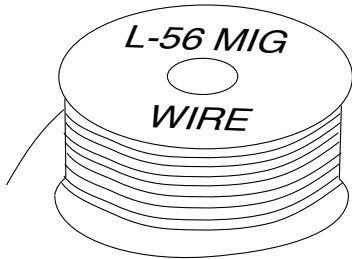
1. Punta de Contacto 0.025



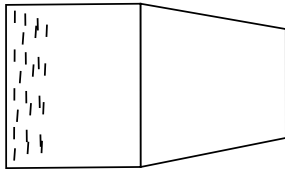
3. Rodillo Impulsor 0.025



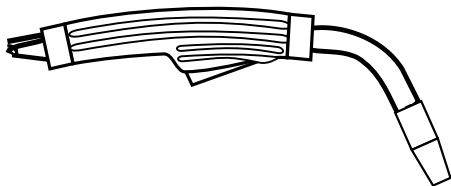
4. Alambre MIG Sólido 0.025 SuperArc L-56



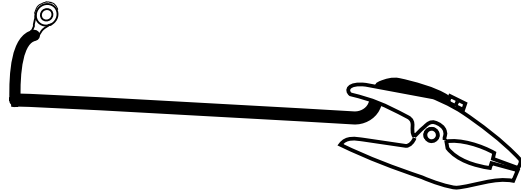
5. Tobera de Pistola de Bronce



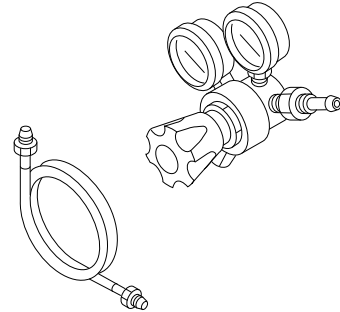
6. Pistola de soldadura



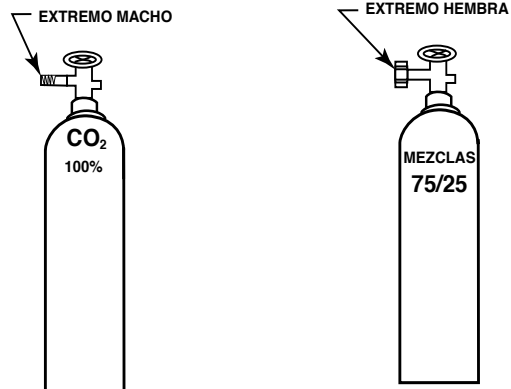
7. Cable y Pinza de Trabajo



8. Regulador de Gas y Línea de Gas



9. Botella de gas protector de 75/25 Ar/CO₂ (ó gas protector del 100% CO₂) (observe que esto requiere un adaptador de regulador CO₂, que se vende separadamente).



(REQUIERE ADAPTADOR QUE SE VENDE POR SEPARADO)

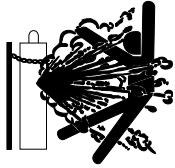
* Las unidades de 125 Amp se pueden actualizar para soldadura MIG utilizando KIT K2526-1 (Consulte la sección de Accesorios).

SOLDADORAS DE ALIMENTACION DE ALAMBRE (125, 140, 180 MODELOS)

B. INSTALACIÓN DEL GAS PROTECTOR

La soldadura MIG requiere una botella apropiada de gas protector. Para acero suave, es posible utilizar una botella de cilindro de Ar/CO₂ ó 100% CO₂; consulte las siguientes instrucciones para conectar adecuadamente el gas protector a la máquina.

⚠ ADVERTENCIA



Si sufre algún daño, el CILINDRO puede explotar. Mantenga el cilindro en posición vertical y encadenado a un soporte.

- Mantenga el cilindro alejado de las áreas donde podría dañarse.
- Nunca levante la soldadora con el cilindro montado.
- Nunca permita que el electrodo de soldadura toque al cilindro.
- Mantenga el cilindro lejos del circuito de soldadura u otros circuitos eléctricos vivos.

⚠ ADVERTENCIA



LA ACUMULACIÓN DE GAS PROTECTOR puede dañar la salud o ser fatal.

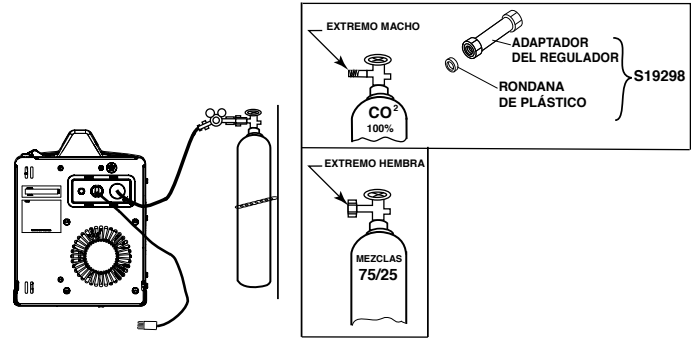
- Apague el suministro de gas protector cuando no lo utilice.

1. Asegure el cilindro a la pared o a otro soporte estacionario para evitar que el cilindro se caiga. Aísle el cilindro del circuito de trabajo y aterrizamiento. Consulte la Figura B.13.
2. Con el cilindro instalado en forma segura, remueva su tapón. Manténgase en el lado opuesto lejos de la salida y abra un poco la válvula del cilindro por un instante. Esto elimina cualquier polvo o suciedad que se haya acumulado en la salida de la válvula.

⚠ ADVERTENCIA

ASEGÚRESE DE MANTENER ALEJADA LA CARA DE LA SALIDA DE LA VÁLVULA CUANDO LA "ABRA". Nunca se pare directamente enfrente o detrás del regulador de flujo cuando abra la válvula del cilindro. Siempre manténgase a un lado.

FIGURA B.13



3. Monte el regulador de flujo en la válvula del cilindro y apriete bien la tuerca de unión con una llave.

NOTA: Si conecta a un cilindro de 100% CO₂, se requiere un adaptador de regulador de CO₂. Adquiera el adaptador de CO₂ S19298 en forma separada; asegúrese de instalar una rondana de plástico que se incluye en el conector a un lado de la botella. (Vea la Figura B.13)

4. Consulte la Figura B.13. Monte un extremo de la manguera de gas de entrada en el conector de salida del regulador de flujo, y apriete bien la tuerca de unión con una llave. Conecte el otro extremo al Conector de Entrada de Solenoide de la máquina (roscas hembra 5/8-18 — para conector CGA — 032). Asegúrese de que la manguera de gas no esté retorcida o ensortijada.

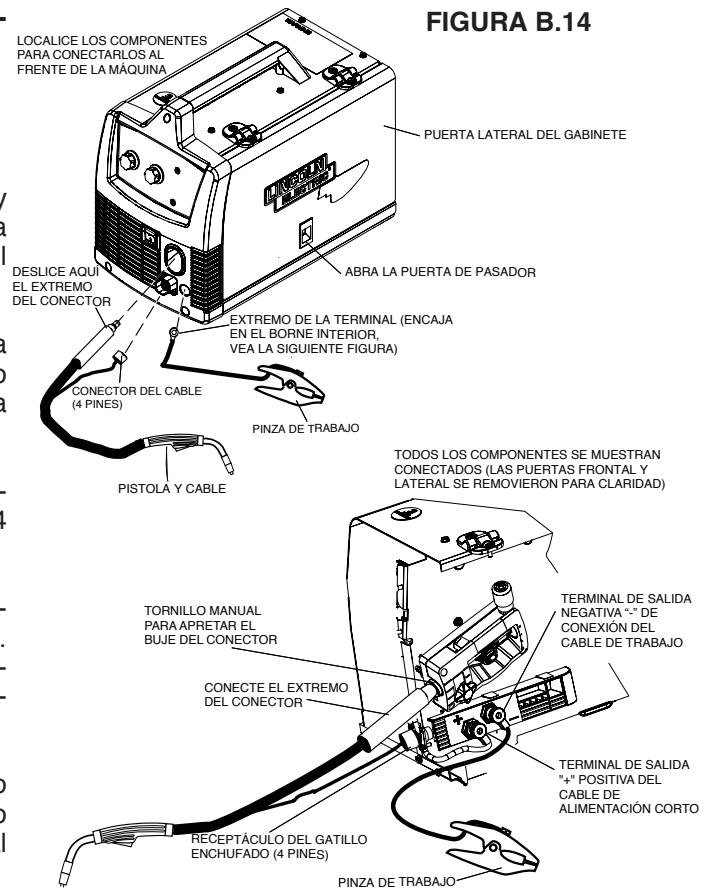
GAS PROTECTOR

1. Para CO₂, abra el cilindro muy lentamente. Para gas con mezcla de argón, abra la válvula del cilindro lentamente una fracción de vuelta. Cuando la aguja del medidor de presión del cilindro deje de moverse, abra la válvula totalmente.
2. Establezca la velocidad del flujo de gas en 30 a 40 pies cúbicos por hora (14 a 18 l/min.) bajo condiciones normales; aumente a un máximo de 40 a 50 CFH (18 a 23.5 l/min.) bajo condiciones de corriente de aire (ligeramente ventosas).
3. Mantenga la válvula del cilindro cerrada, excepto cuando usa la máquina.

C. CONEXIÓN DE LOS CABLES Y ALAMBRES A LA MÁQUINA

(Vea la Figura B.14)

1. Abra la puerta lateral del gabinete
2. Deslice el extremo del conector de la pistola y cable a través del orificio en el frente de la máquina y dentro del buje del conector de la pistola en el mecanismo de alimentación.
3. Asegúrese de que el extremo del conector de la pistola esté asentado totalmente en el mecanismo de alimentación y apriete el tornillo mariposa para asegurar la pistola.
4. Enchufe el conector del cable del gatillo de la pistola en el receptáculo del gatillo de la pistola de 4 pines al frente de la máquina.
5. Polaridad del Mecanismo de Alimentación. La soldadura MIG requiere polaridad positiva (+). Conecte el cable de alimentación corto del mecanismo de alimentación a la terminal de salida positiva (+) y apriete el tornillo mariposa.
6. Conexión del Cable de Trabajo. Deslice el extremo de orejeta del cable de trabajo a través del orificio al frente de la máquina y colóquelo en la terminal de salida negativa (-), y apriete el tornillo mariposa

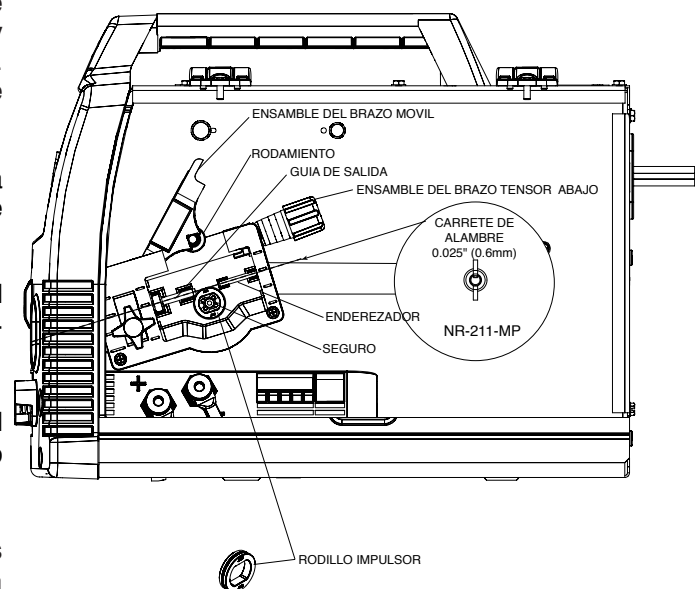


D. CARGA DEL CARRETE DE ALAMBRE

(Vea la Figura B.15)

1. Localice el carrete de etiqueta verde de 4" de diámetro de alambre MIG sólido L-56 0.025, y colóquelo sobre el eje de carrete de alambre. Oriente el carrete para que el alambre se alimente desde la parte superior del mismo.
2. Asegure el carrete en su lugar apretando la tuerca mariposa contra el espaciador que sujeta el carrete de alambre al eje.
3. Abra el ensamble del brazo móvil girando el ensamble del brazo tensor hacia abajo y levantando el ensamble del brazo móvil.
4. Retire el rodillo impulsor girando hasta el tope el seguro del rodillo. Instale el rodillo impulsor estriado de .025-.035.
5. Desenrede cuidadosamente y enderece las primeras seis pulgadas de alambre de soldadura del carrete. No permita que el extremo del alambre quede suelto para evitar que éste se desenrede.

FIGURA B.15



(Ver Figura B.16)

6. Alimente el alambre a través del enderezador de entrada sobre la ranura del rodillo impulsor, por la guía de salida y la salida del rodillo impulsor del lado de la pistola.
7. Cierre el Ensamble del Brazo Móvil y asegúrelo moviendo el Ensamble del brazo tensor nuevamente hacia arriba.

(Vea la Figura B.17)

8. Remueva la tobera de la pistola y punta de contacto, y enderece la pistola.
9. Encienda la alimentación de la máquina y aplane el gatillo de la pistola para alimentar el alambre a través de la guía de alambre hasta que varias pulgadas de éste salgan del extremo roscado de la pistola. (Vea la Figura B.18)
10. Cuando se suelta el gatillo, el carrete de alambre no deberá desenrollarse. Ajuste el freno del carrete conforme a esto.

⚠ ADVERTENCIA



LAS PARTES MÓVILES Y EL CONTACTO ELÉCTRICO PUEDEN PROVOCAR LESIONES O SER FATALES

- Cuando el gatillo de la pistola se suelta, los rodillos impulsores, carrete de alambre y electrodo están ELÉCTRICAMENTE VIVOS (CALIENTES).
- Aléjese de las partes móviles y puntos de presión.
- Mantenga todas las Puertas, Cubiertas, páneles y guardas en forma segura en su lugar.

NO REMUEVA U OCULTE ETIQUETAS DE ADVERTENCIA.



11. Instale la punta de contacto 0.025.
12. Instale la tobera de gas de soldadura MIG de bronce en la pistola.
13. Corte el alambre saliente a 3/8" desde la punta de contacto. (Vea la Figura B.19)
14. Cierre la puerta lateral del gabinete. La máquina está ahora lista para soldar.
15. Lea "Aprenda a Soldar" (LTW1) o vea el DVD "Cómo Soldar" que se incluyen con la máquina.
16. Con base en el grosor del material que va a soldar, y el tipo y diámetro del alambre del soldadura, establezca el voltaje y velocidad de alimentación de alambre conforme a la etiqueta de procedimientos en la parte interior de la puerta del compartimiento del mecanismo de alimentación.

FIGURA B.16

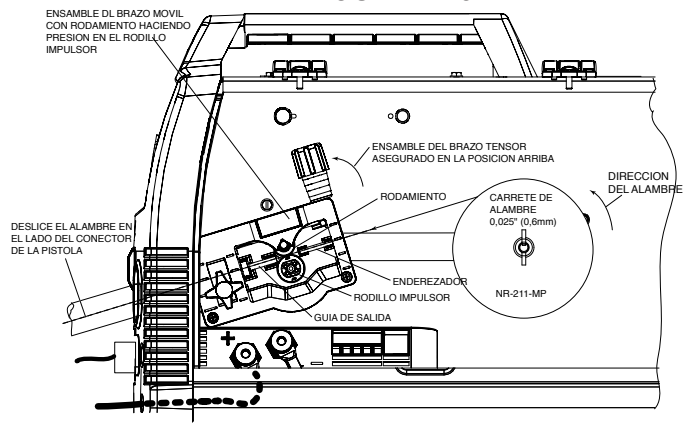


FIGURA B.17

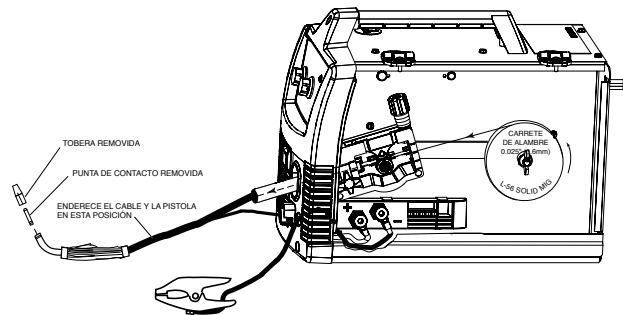


FIGURA B.18

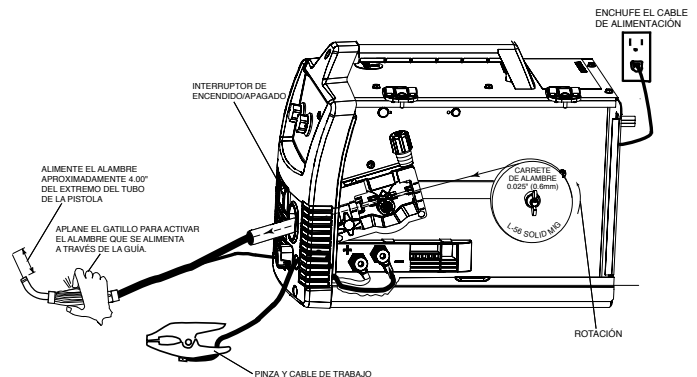
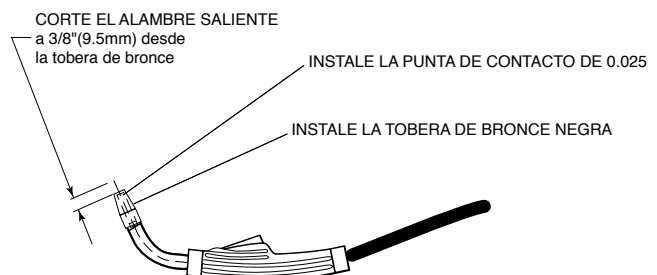


FIGURA B.19



SOLDADORAS DE ALIMENTACION DE ALAMBRE (125, 140, 180 MODELOS)



PREPARACIÓN Y REALIZACIÓN DE UNA SOLDADURA DE ALUMINIO UTILIZANDO LA ANTORCHA “SPOOL GUN”

1. Siga los pasos de soldadura MIG en la sección anterior.
2. Conecte una botella de Gas Protector de 100% de Argón conforme a la sección previa.
3. Desconecte la Pistola Magnum 100L.
4. Instale la Antorcha “Spool Gun” Magnum 100SG K2532-1 opcional conforme a las instrucciones que se incluyen con la pistola.
5. Establezca el interruptor de palanca del selector de la pistola en la posición Spool Gun. (Vea la Figura B.20)

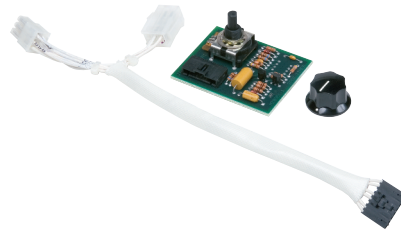
FIGURA B.20



6. Encienda la máquina y haga una soldadura conforme a las configuraciones recomendadas en la Etiqueta de Procedimientos dentro de la puerta de la máquina.

K2525-1 - Kit de Temporizador de Punteo

Este kit, cuando está encendido, le permite establecer un tiempo de soldadura fijo para que al apretar el gatillo de la pistola, la máquina suelde por un periodo de tiempo fijo de hasta 10 segundos. Ideal para hacer soldaduras de punteo cuando se suelda en hojas metálicas delgadas.

**K2528-1 - Kit Innershield 045 (Para modelos de 230V)**

Incluye todo lo necesario para soldar con un alambre Innershield de diámetro 0.045. Incluye una guía de alambre de pistola .0035/0.045 Magnum™ 100L, Punta de Contacto 0.045, tobera sin gas, rodillo impulsor estriado, guía de alambre interna 0.045, y un carrete de 4.5kg (10 lb.) de alambre Innershield® NR®-212 de 0.9mm (0.045").

**K2532-1 - Antorcha "Spool Gun" Magnum 100SG**

Diseñada para alimentar fácilmente alambres de aluminio pequeños 0.030 ó 0.035 de 4" de diámetro (carretes de 1lb.). Incluye pistola, kit de adaptador, tres puntas de contacto 0.035 extra, tobera de gas y carrete de alambre de soldadura de 0.035" de diámetro Superglaze 4043. Empacado en un gabinete de transporte fácil.

**K2377-1 - Cubierta de Lona Pequeña**

Protege su máquina cuando no está en uso. Hecha de atractiva lona roja que demora la flama, es resistente al moho y repelente al agua. Incluye un bolsillo lateral conveniente para colocar la pistola de soldadura.



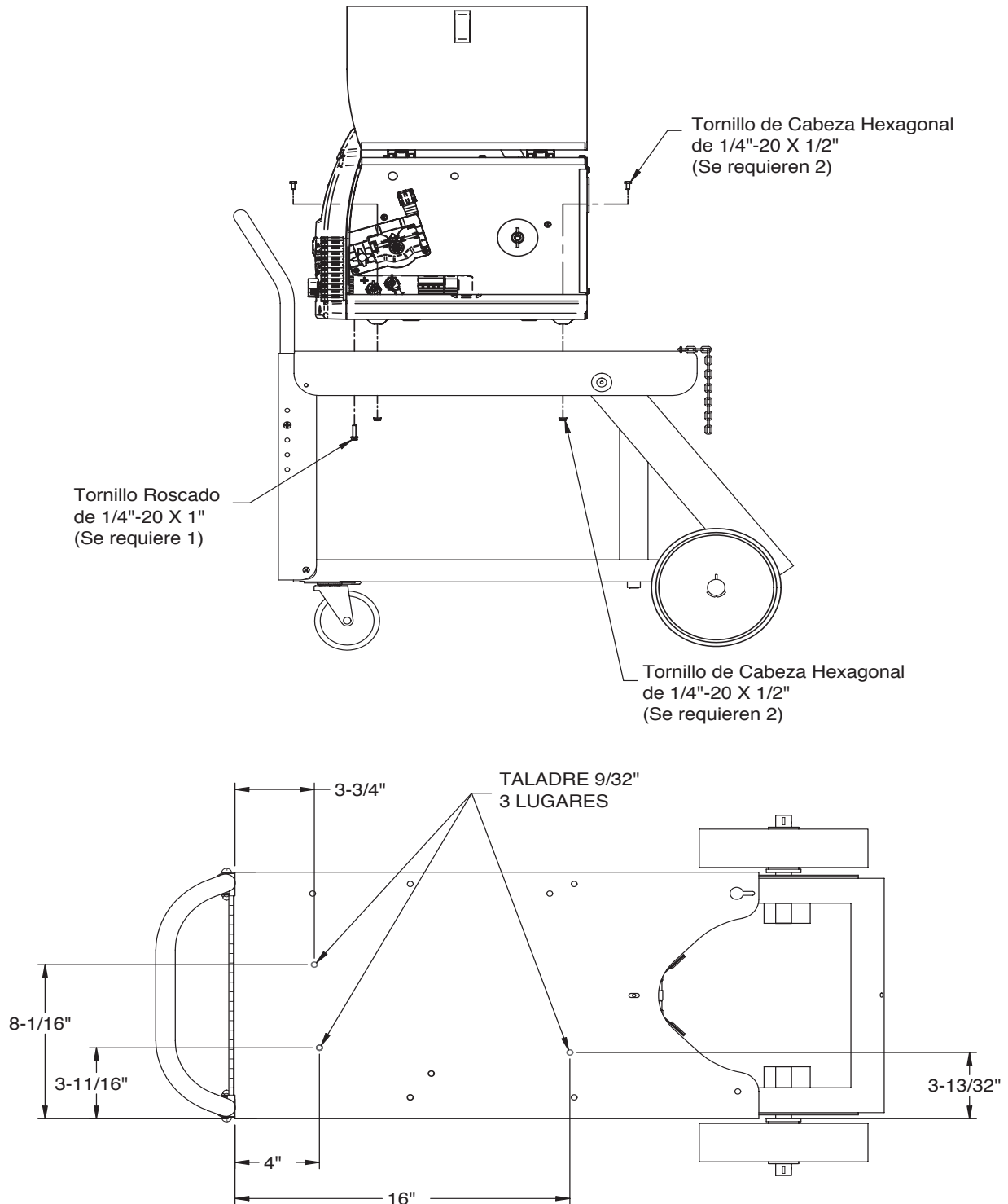
Para las piezas opcionales y misceláneas adicionales (Véase las Páginas de las Piezas)

K520—Carro Utilitario

Este carro de trabajo pesado almacena y transporta la soldadora, cilindro de gas protector de 150 pies cúbicos, cables de soldadura y accesorios. Incluye plataformas estables para la soldadora y plataforma de botella de gas, charola inferior para mayor capacidad de almacenamiento y manija de altura ajustable.



Para montar máquinas de soldadura en carros K520 que no tienen orificios de montaje ranurados. Taladre orificios de 9/32" (3 lugares) en la parte superior del carro como se ilustra y monte la máquina de soldar en el carro con el hardware adecuado que se muestra.



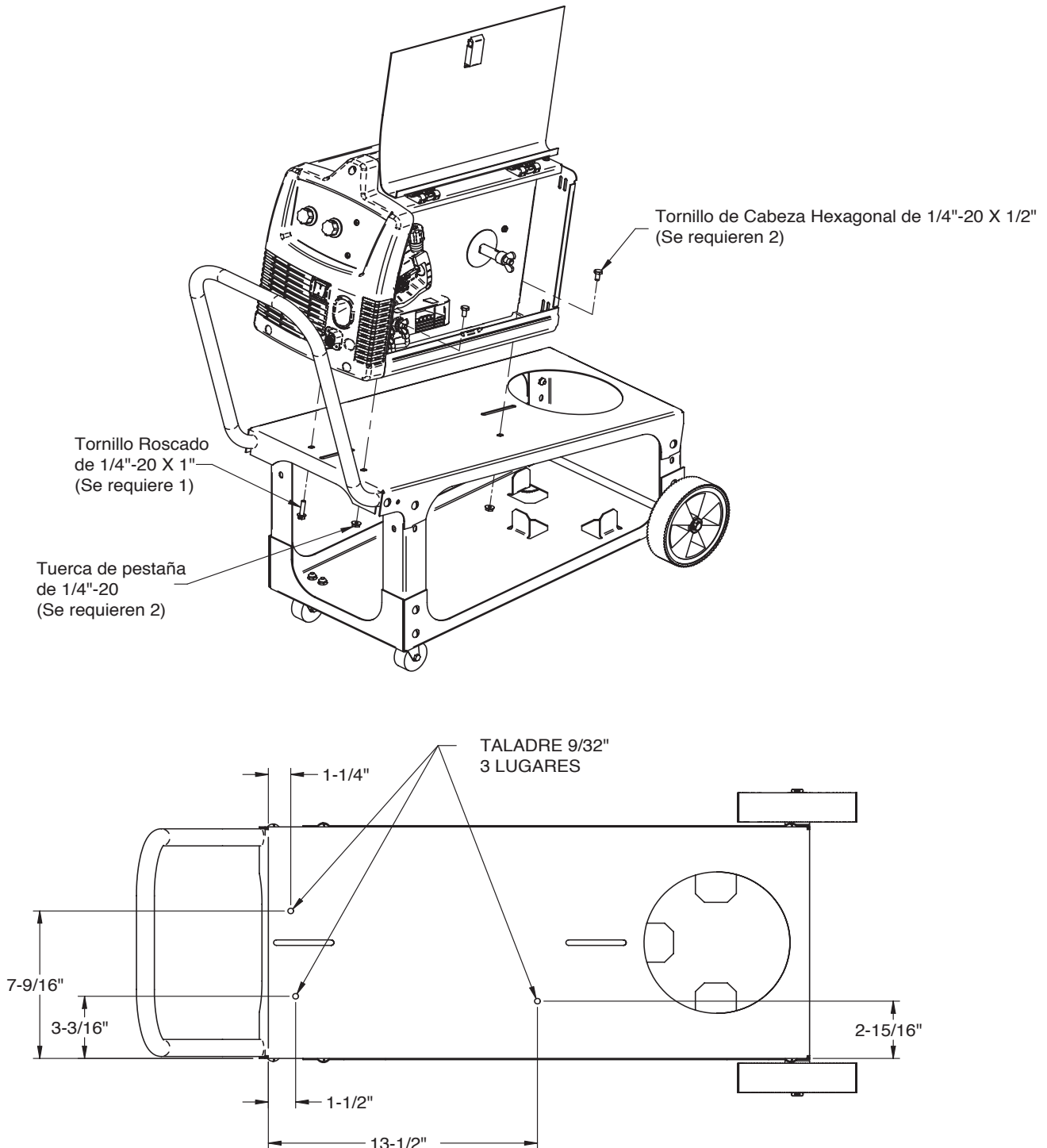
SOLDADORAS DE ALIMENTACION DE ALAMBRE (125, 140, 180 MODELOS)

K2275-1 - Carro de Soldadura

Este carro de peso ligero almacena y transporta a la soldadora, cilindro de gas protector de 80 pies cúbicos, cables de soldadura y accesorios. Incluye una repisa en ángulo para fácil acceso a los controles, charola inferior para mayor capacidad de almacenamiento, una manija fija rugosa y un gancho conveniente para colgar el cable.



Para montar máquinas de soldadura en carros K2275-1 que no tienen orificios de montaje ranurados. Taladre orificios de 9/32" (3 lugares) en la parte superior del carro como se ilustra y monte la máquina de soldar en el carro con el hardware adecuado que se muestra.



SOLDADORAS DE ALIMENTACION DE ALAMBRE (125, 140, 180 MODELOS)

MANTENIMIENTO

PRECAUCIONES DE SEGURIDAD

⚠ ADVERTENCIA



La **DESCARGA ELÉCTRICA** puede causar la muerte.

- Desconecte la alimentación removiendo el enchufe del receptáculo antes de trabajar adentro de **SOLDADORAS DE ALIMENTACION DE ALAMBRE (MODELOS 140, 180)**. Utilice sólo receptáculos aterrizados. No toque las partes eléctricamente “calientes” dentro de **SOLDADORAS DE ALIMENTACION DE ALAMBRE (MODELOS 140, 180)**.

- Haga que personal calificado realice el mantenimiento y trabajo de localización de averías.

MANTENIMIENTO DE RUTINA

COMPARTIMIENTO DE LA FUENTE DE PODER

¡No existen adentro partes que puedan recibir servicio del usuario! No intente dar servicio en el lado de la fuente de poder (fijo) de **SOLDADORAS DE ALIMENTACION DE ALAMBRE (MODELOS 140, 180)**. Lleve la unidad a un Centro de Servicio Autorizado de Lincoln si experimenta problemas. **NO** se requiere mantenimiento.

En lugares extremadamente llenos de polvo, la suciedad puede bloquear los pasajes de aire provocando que la soldadora funcione caliente con apertura prematura de la protección térmica. Si así es, aplique aire de baja presión a intervalos regulares para sacar la suciedad de la soldadora y eliminar así la suciedad excesiva y acumulación de polvo en las partes internas.

COMPARTIMIENTO DE ALIMENTACIÓN DE ALAMBRE

1. Cuando se necesario, aspire la suciedad acumulada de la caja de engranajes y sección de alimentación de alambre.
2. Inspeccione ocasionalmente el tubo guía entrante y limpie el diámetro interno si es necesario.
3. El motor y caja de engranajes tienen lubricación de por vida y no requieren mantenimiento.

MOTOR DEL VENTILADOR

Tiene lubricación de por vida — no requiere mantenimiento.

EJE DEL CARRETE DE ALAMBRE

No requiere mantenimiento. **NO** lubrique el eje.

MANTENIMIENTO DE LA PISTOLA Y CABLE PARA PISTOLA MAGNUM™ 100L

Limpieza de la Pistola y Cable

Limpie la guía del cable después de utilizar aproximadamente 136 kg (300 lbs) de alambre sólido ó 23 kg (50 lbs) de alambre tubular. Remueva el cable del alimentador de alambre y colóquelo en forma recta sobre el piso. Remueva la punta de contacto de la pistola. Utilizando aire de baja presión, saque con cuidado la guía del cable del extremo del difusor de gas.

⚠ PRECAUCIÓN

Presión excesiva al inicio puede provocar que la suciedad forme una obstrucción.

Doble el cable a la mitad y aplique aire otra vez. Repita este procedimiento hasta que ya no salga más suciedad.

Puntas de Contacto, Toberas y Tubos de la Pistola

1. La suciedad puede acumularse en el orificio de la punta de contacto y restringir la alimentación de alambre. Después de utilizar cada carrete de alambre, remueva la punta de contacto y límpiela insertando un pedazo pequeño de alambre a través de la punta repetidamente. Utilice el alambre como un escariador para remover suciedad que se pueda adherir a la pared del orificio a través de la punta.
2. Reemplace las puntas de contacto desgastadas según sea necesario. Un arco variable o “irregular” es un síntoma típico de una punta de contacto desgastada. Para instalar una nueva, elija la de tamaño correcto para el electrodo que se está utilizando (el tamaño del alambre está grabado en el lado de la punta de contacto) y atorníllela ajustadamente al difusor de gas.
3. Remueva la salpicadura adentro de la tobera de gas y de la punta cada 10 minutos de tiempo de arco o según sea necesario.
4. Asegúrese de que la tobera de gas esté totalmente atornillada al difusor para procesos con gas protector. Para el proceso Innershield®, deberá atornillarse la tobera sin gas al difusor.
5. Para remover el tubo de la pistola de la misma, remueva la tobera de gas o la tobera sin gas, y retire el difusor del tubo de la pistola. Remueva ambos collarines de cada extremo de la manija de la pistola y separe las mitades de la misma. Afloje la tuerca de sujeción que sujeta al tubo de la pistola en su lugar contra el conector de la pistola y cable. Desatornille el tubo de la pistola del conector del cable. Para instalar el tubo de la pistola, atornille la tuerca de sujeción en el mismo tanto como sea posible. Después atornille el tubo de la pistola en el conector del cable hasta el fondo. Entonces desatornille (no más de una vuelta) el tubo de la pistola hasta que su eje quede perpendicular a los lados planos del conector del cable y apunte en la dirección del gatillo. Apriete la tuerca de sujeción en tal forma que mantenga la relación adecuada entre el tubo de la pistola y conector del cable. Vuelva a colocar la manija de la pistola, gatillo y difusor. Vuelva a colocar la tobera de gas o la sin gas.

PROTECCIÓN CONTRA SOBRECARGA

Sobrecarga de Salida

SOLDADORAS DE ALIMENTACION DE ALAMBRE (MODELOS 125, 140, 180) está equipada con un interruptor de circuito y un termostato que protege a la máquina contra daño si se excede la salida máxima. El botón del interruptor automático se saldrá cuando se abra. El interruptor automático debe restablecerse manualmente.

SOLDADORAS DE ALIMENTACION DE ALAMBRE (MODELOS 125, 140, 180) tiene un ciclo de trabajo de salida nominal como se define en la página de Especificaciones Técnicas. Si se excede el ciclo de trabajo, un protector térmico apagará la salida hasta que la máquina se enfríe a una temperatura de operación razonable. Esta es una función automática de **SOLDADORAS DE ALIMENTACION DE ALAMBRE** (MODELOS 125, 140, 180) y no requiere intervención del usuario. El ventilador continúa funcionando durante el enfriamiento.

Protección del Motor Electrónico del Mecanismo de Alimentación

SOLDADORAS DE ALIMENTACION DE ALAMBRE (MODELOS 125, 140, 180) cuenta con protección integrada contra sobrecargas del motor del mecanismo de alimentación.

CAMBIO DE LA GUÍA DE ALAMBRE

NOTA: La variación en las longitudes de los cables evita la intercambiabilidad de las guías de alambre. Una vez que una guía ha sido cortada para una pistola en particular, no deberá instalarse en otra, a menos que pueda satisfacer el requerimiento de longitud de corte de la guía de alambre. Consulte la Figura D.2..

1. Remueva la tobera de gas de la pistola desatornillando a la izquierda.
2. Remueva la punta de contacto existente de la pistola desatornillando a la izquierda.
3. Remueva el difusor de gas del tubo de la pistola desatornillando a la izquierda.
4. Coloque la pistola y cable en forma recta sobre una superficie plana. Afloje el tornillo de fijación localizado en el conector de bronce en el extremo de alimentador de alambre del cable. Jale la guía de alambre fuera del cable.
5. Inserte una nueva guía de alambre sin cortar en el extremo de conector del cable. Asegúrese de que el buje de la guía de alambre esté grabado apropiadamente para el tamaño de alambre que se está utilizando.
6. Asiente completamente el buje de la guía de alambre en el conector. Apriete el tornillo de fijación en el conector del cable de bronce. En este momento, el difusor de gas no deberá estar instalado en el extremo del tubo de la pistola.
7. Con la tobera de gas y el difusor removido del tubo de la pistola, asegúrese de que el cable esté derecho, y después corte la guía de alambre a la longitud mostrada en la Figura D.2. Retire cualquier saliente del extremo de la guía de alambre.

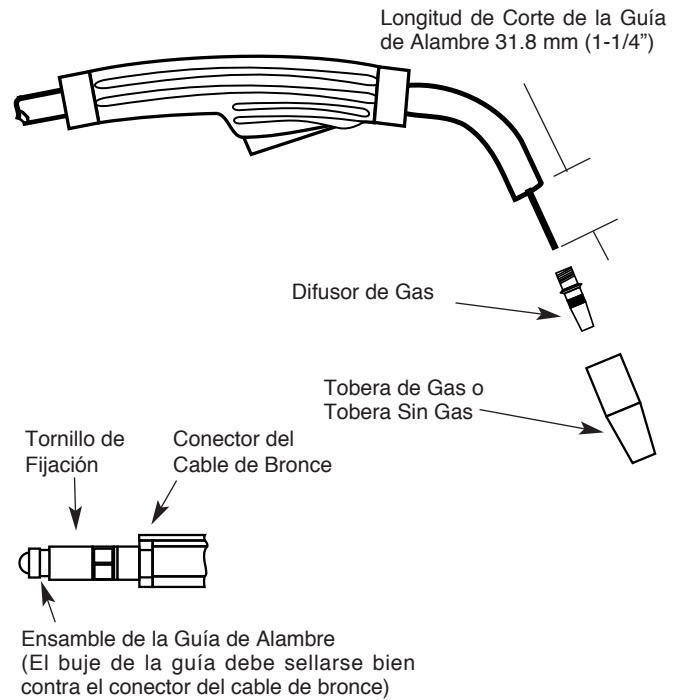


FIGURA D.2
Longitud de Corte de la Guía de Alambre

8. Atornille el difusor de gas en el extremo del tubo de la pistola y apriete bien.
9. Vuelva a colocar la punta de contacto y la tobera.

PARTES DE LA MANIJA DE LA PISTOLA

La manija de la pistola consta de dos mitades que están unidas con un collarín en cada extremo. Para abrir la manija, gire los collarines aproximadamente 60 grados a la izquierda hasta que el collarín se detenga. Después jale el collarín fuera de la manija de la pistola. Si los collarines son difíciles de girar, coloque la manija de la pistola contra una esquina, coloque un desatornillador contra la lengüeta en el collarín y golpee el desatornillador para que el collarín se suelte del reborde interior de aseguramiento. Vea la Figura D-3.

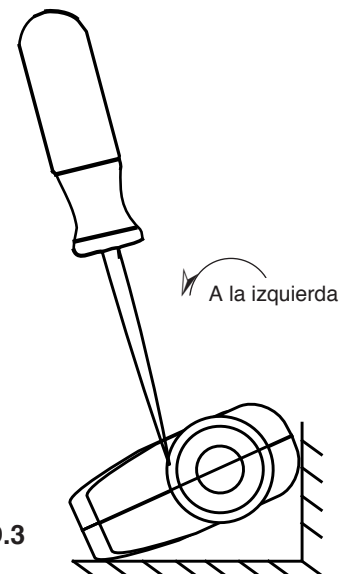


FIGURA D.3

SOLDADORAS DE ALIMENTACION DE ALAMBRE (125, 140, 180 MODELOS)

CÓMO UTILIZAR LA GUÍA DE LOCALIZACIÓN DE AVERÍAS

ADVERTENCIA

El servicio y la reparación sólo debe de ser realizado por Personal Capacitado por la Fábrica Lincoln Electric. Reparaciones no autorizadas llevadas a cabo en este equipo pueden resultar peligrosas para el técnico y el operador de la máquina, e invalidará su garantía de fábrica. Por su seguridad y para evitar una descarga eléctrica, por favor tome en cuenta todas las notas de seguridad y precauciones detalladas a lo largo de este manual.

Esta guía de detección de problemas se proporciona para ayudarle a localizar y a reparar posibles averías de la máquina. Simplemente siga el procedimiento de tres pasos que se da enseguida.

Paso 1. LOCALIZACIÓN DEL PROBLEMA (SÍNTOMA).

Observe debajo de la columna llamada "PROBLEMA (SÍNTOMAS)". Esta columna describe los síntomas posibles que la máquina pueda presentar. Encuentre la lista que describa de la mejor manera el síntoma que la máquina está presentando.

Paso 2. CAUSA POSIBLE.

En la segunda columna llamada "CAUSA POSIBLE" se enumeran los factores que pueden originar el síntoma en la máquina.

Paso 3. ACCIÓN RECOMENDADA

Esta columna proporciona una acción para la Causa Posible, generalmente recomienda que establezca contacto con su Taller de Servicio de Campo Autorizado por Lincoln local.

Si no entiende o no puede llevar a cabo la Acción Recomendada de manera segura, contacte su Taller de Servicio de Campo Lincoln Autorizado

PRECAUCIÓN

Si por alguna razón usted no entiende los procedimientos de prueba o es incapaz de efectuar las pruebas y reparaciones de manera segura, contacte su **Taller de Servicio de Campo Lincoln Autorizado** para asistencia en la localización de fallas técnicas antes de proceder.

Observe todos los Lineamientos de Seguridad detallados a través de este manual.

PROBLEMAS (SÍNTOMAS)	CAUSA POSIBLE	CURSO DE ACCIÓN RECOMENDADO
PROBLEMAS DE SALIDA		
Es evidente un daño físico o eléctrico mayor.	“No enchufe la máquina ni la encienda”. Contacte a su Taller de Servicio de Campo Autorizado local.	Si todas las áreas posibles de desajuste han sido revisadas y el problema persiste, Póngase en Contacto con su Taller de Servicio de Campo Autorizado de Lincoln local.
No hay alimentación de alambre, salida de soldadura o flujo de gas cuando se aprieta el gatillo de la pistola. El ventilador NO opera.	<ol style="list-style-type: none"> 1. Asegúrese de que se aplica el voltaje correcto a la máquina. 2. Asegúrese de que el interruptor de encendido está en la posición de ENCENDIDO. 3. Asegúrese de que el interruptor automático está restablecido. 	
No hay alimentación de alambre, salida de soldadura o flujo de gas cuando se aprieta el gatillo de la pistola. El ventilador opera normalmente.	<ol style="list-style-type: none"> 1. El termostato puede estar abierto debido a sobrecalentamiento. Deje que la máquina se enfríe. Suelde a un ciclo de trabajo bajo. 2. Revise si hay obstrucciones en el flujo de aire. Revise las conexiones del Gatillo de la Pistola. Vea la sección de instalación. 3. El gatillo de la pistola puede estar defectuoso. 	

PROBLEMAS (SÍNTOMAS)	CAUSA POSIBLE	CURSO DE ACCIÓN RECOMENDADO
PROBLEMAS DE ALIMENTACIÓN		
No hay alimentación de alambre cuando se aprieta el gatillo de la pistola. El ventilador funciona, el gas fluye y la máquina tiene un voltaje de circuito abierto correcto (33V) – salida de soldadura.	<ol style="list-style-type: none"> 1. Si el motor del mecanismo de alimentación está funcionando, asegúrese de que en la máquina estén instalados los rodillos impulsores correctos. 2. Revise si hay una guía de cable o punta de contacto obstruida. 3. Revise si la guía del cable y punta de contacto son del tamaño adecuado. 	Si todas las áreas posibles de desajuste han sido revisadas y el problema persiste, Póngase en Contacto con su Taller de Servicio de Campo Autorizado de Lincoln local.

PRECAUCIÓN

Si por alguna razón no entiende los procedimientos de prueba o no es capaz de llevar a cabo las pruebas/reparaciones en forma segura, póngase en contacto con su **Taller Local de Servicio de Campo Autorizado de Lincoln** para obtener asistencia de localización de averías técnica antes de proceder.

SOLDADORAS DE ALIMENTACION DE ALAMBRE (125, 140, 180 MODELOS)



Observe todos los Lineamientos de Seguridad detallados a través de este manual.

PROBLEMAS (SÍNTOMAS)	CAUSA POSIBLE	CURSO DE ACCIÓN RECOMENDADO
PROBLEMAS DE FLUJO DE GAS		
No hay flujo de gas o hay muy poco cuando se aprieta el gatillo de la pistola. La alimentación de alambre, salida de soldadura y ventilador operan normalmente.	<ol style="list-style-type: none"> 1. Revise el suministro de gas, regulador de flujo y mangueras de gas. 2. Revise la conexión de la pistola a la máquina en busca de obstrucciones o sellos con fuga. 	Si todas las áreas posibles de desajuste han sido revisadas y el problema persiste, Póngase en Contacto con su Taller de Servicio de Campo Autorizado de Lincoln local.

PROBLEMAS (SÍNTOMAS)	CAUSA POSIBLE	CURSO DE ACCIÓN RECOMENDADO
PROBLEMAS DE SOLDADURA		
El arco es inestable – Arranque pobre	<ol style="list-style-type: none"> 1. Revise si el voltaje de entrada a la máquina es correcto. 2. Revise si la polaridad del electrodo es correcta para el proceso. 3. Revise la punta de la pistola en busca de desgaste y daños, y verifique que sea del tamaño correcto – Reemplace. 4. Revise que el gas y la velocidad de flujo sean los correctos para el proceso. (Sólo para MIG.) 5. Revise el cable de trabajo en busca de conexiones sueltas o defectuosas. 6. Revise la pistola en busca de daños o rupturas. 7. Revise que la orientación del rodillo impulsor y su alineación sean correctas. 8. Revise que el tamaño de la guía de alambre sea correcto. 	Si todas las áreas posibles de desajuste han sido revisadas y el problema persiste, Póngase en Contacto con su Taller de Servicio de Campo Autorizado de Lincoln local.

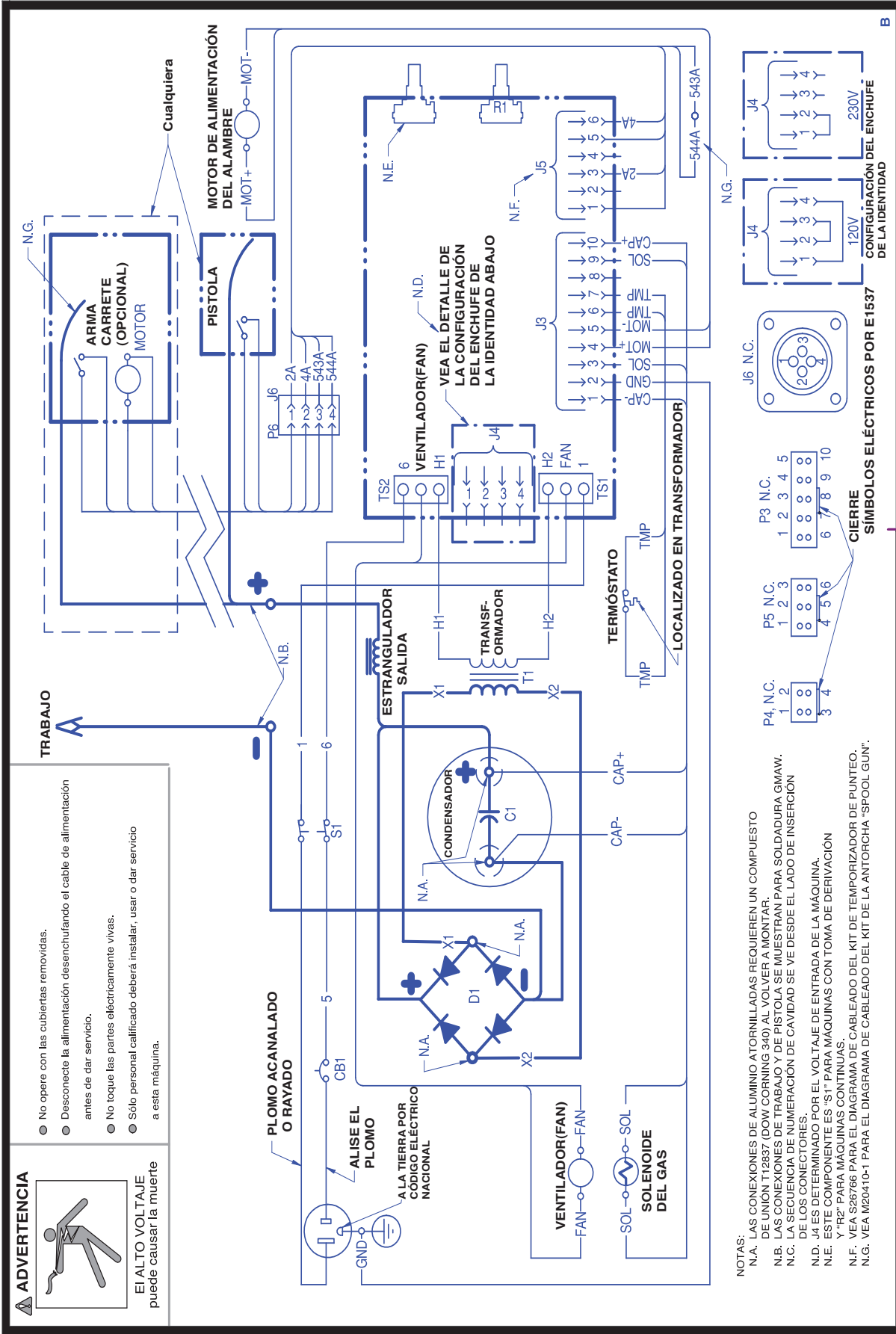
PRECAUCIÓN

Si por alguna razón no entiende los procedimientos de prueba o no es capaz de llevar a cabo las pruebas/reparaciones en forma segura, póngase en contacto con su **Taller Local de Servicio de Campo Autorizado de Lincoln** para obtener asistencia de localización de averías técnica antes de proceder.

SOLDADORAS DE ALIMENTACION DE ALAMBRE (125, 140, 180 MODELOS)



DIAGRAMA DE CABLEADO



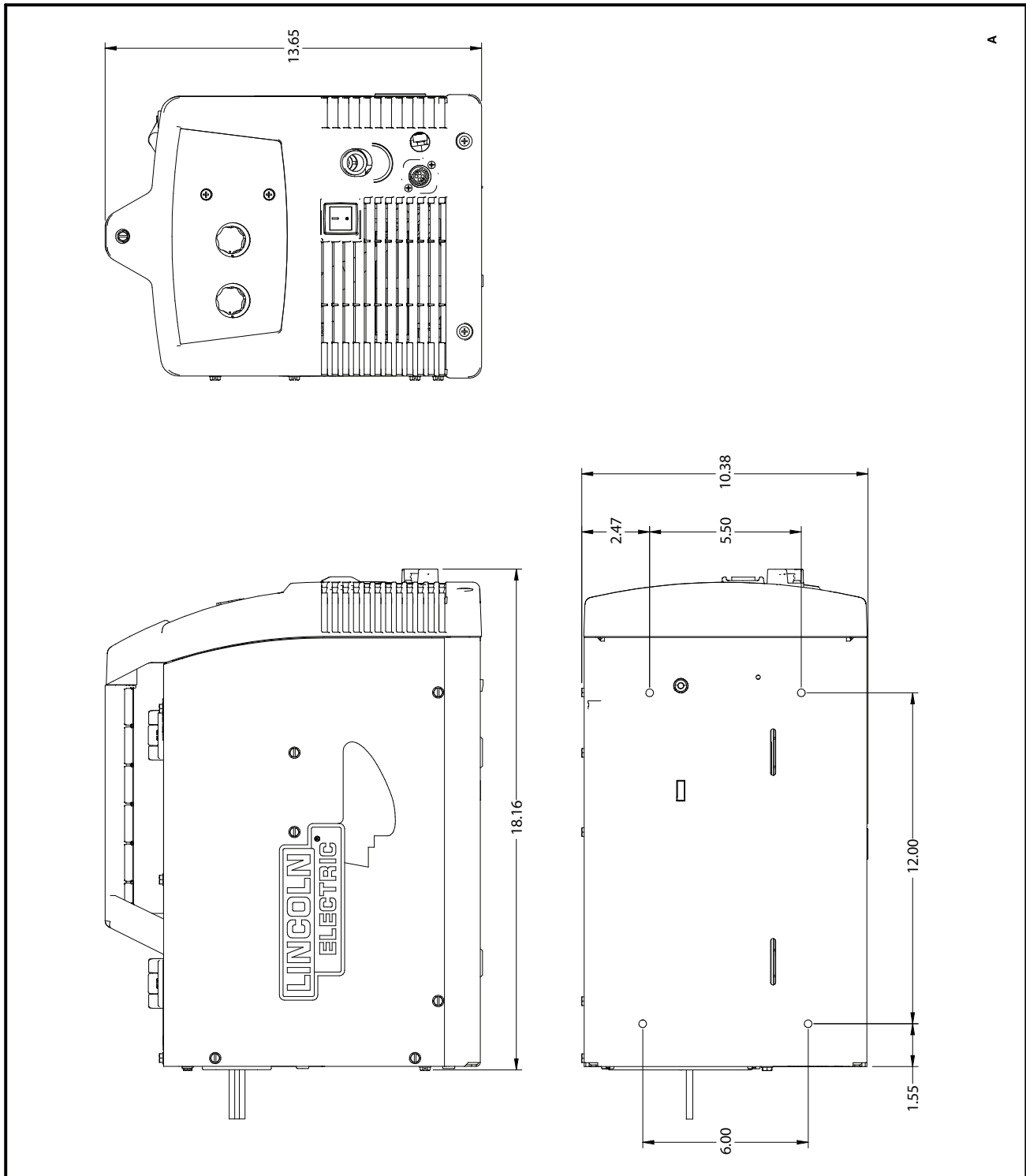
M20410

MANUAL DE OPERACIÓN

NOTA: Este diagrama es sólo para referencia. Puede no ser exacto para todas las máquinas que cubre este manual. El diagrama específico para un código particular está pegado dentro de la máquina en uno de los paneles de la cubierta.

SOLDADORAS DE ALIMENTACIÓN DE ALAMBRE (125, 140, 180 MODELOS)





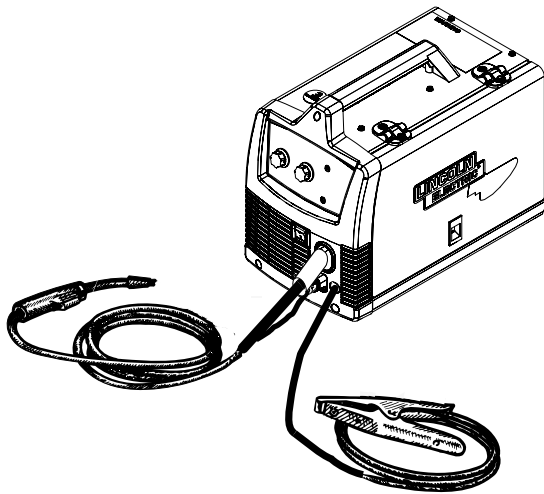
M21111-1

SOLDADORAS DE ALIMENTACION DE ALAMBRE (125, 140, 180 MODELOS)



Manuel de l'Opérateur

SOUDEUSE CHARGEUR DE FIL



S'applique aux machines dont le numéro de code est:
**11173 à travers 11506, 11550,
11658**

⚠️ AVERTISSEMENT

⚠️ AVERTISSEMENT DE LA PROPOSITION DE CALIFORNIE 65 ⚠️

Les gaz d'échappement du moteur diesel et certains de leurs constituants sont connus par l'Etat de Californie pour provoquer le cancer, des malformations ou autres dangers pour la reproduction.

Ceci s'applique aux moteurs diesel.

Les gaz d'échappement de ce produit contiennent des produits chimiques connus par l'Etat de Californie pour provoquer le cancer, des malformations et des dangers pour la reproduction.

Ceci s'applique aux moteurs à essence.

LE SOUDAGE À L'ARC PEUT ÊTRE DANGEREUX. SE PROTÉGER ET PROTÉGER LES AUTRES CONTRE LES BLESSURES GRAVES VOIRE MORTELLES. ÉLOIGNER LES ENFANTS. LES PERSONNES QUI PORTENT UN STIMULATEUR CARDIAQUE DEVRAIENT CONSULTER LEUR MÉDECIN AVANT D'UTILISER L'APPAREIL.

Prendre connaissance des caractéristiques de sécurité suivantes. Pour obtenir des renseignements supplémentaires sur la sécurité, on recommande vivement d'acheter un exemplaire de la norme Z49.1, de l'ANSI auprès de l'American Welding Society, P.O. Box 350140, Miami, Floride 33135 ou la norme CSA W117.2-1974. On peut se procurer un exemplaire gratuit du livret «Arc Welding Safety» E205 auprès de la société Lincoln Electric, 22801 St. Clair Avenue, Cleveland, Ohio 44117-1199.

S'ASSURER QUE LES ÉTAPES D'INSTALLATION, D'UTILISATION, D'ENTRETIEN ET DE RÉPARATION NE SONT CONFIEES QU'À DES PERSONNES QUALIFIÉES.



POUR LES GROUPES ÉLECTROGÈNES

1.a. Arrêter le moteur avant de dépanner et d'entretenir à moins qu'il ne soit nécessaire que le moteur tourne pour effectuer l'entretien.



1.b. Ne faire fonctionner les moteurs qu'à l'extérieur ou dans des endroits bien aérés ou encore évacuer les gaz d'échappement du moteur à l'extérieur.



1.c. Ne pas faire le plein de carburant près d'une flamme nue, d'un arc de soudage ou si le moteur tourne. Arrêter le moteur et le laisser refroidir avant de faire le plein pour empêcher que du carburant renversé ne se vaporise au contact de pièces du moteur chaudes et ne s'enflamme. Ne pas renverser du carburant quand on fait le plein. Si du carburant s'est renversé, l'essuyer et ne pas remettre le moteur en marche tant que les vapeurs n'ont pas été éliminées.

1.d. Les protecteurs, bouchons, panneaux et dispositifs de sécurité doivent être toujours en place et en bon état. Tenir les mains, les cheveux, les vêtements et les outils éloignés des courroies trapézoïdales, des engrenages, des ventilateurs et d'autres pièces en mouvement quand on met en marche, utilise ou répare le matériel.

1.e. Dans certains cas, il peut être nécessaire de déposer les protecteurs de sécurité pour effectuer l'entretien prescrit. Ne déposer les protecteurs que quand c'est nécessaire et les remettre en place quand l'entretien prescrit est terminé. Toujours agir avec la plus grande prudence quand on travaille près de pièces en mouvement.

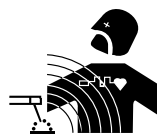


1.f. Ne pas mettre les mains près du ventilateur du moteur. Ne pas appuyer sur la tige de commande des gaz pendant que le moteur tourne.

1.g. Pour ne pas faire démarrer accidentellement les moteurs à essence en effectuant un réglage du moteur ou en entretenant le groupe électrogène de soudage, de connecter les fils des bougies, le chapeau de distributeur ou la magnéto débrancher le couvercle du distributeur ou le fil magnétique de façon appropriée



1.h. Pour éviter de s'ébouillanter, ne pas enlever le bouchon sous pression du radiateur quand le moteur est chaud.



LES CHAMPS ÉLECTROMAGNÉTIQUES peuvent être dangereux

2.a. Le courant électrique qui circule dans les conducteurs crée des champs électromagnétiques locaux. Le courant de soudage crée des champs magnétiques autour des câbles et des machines de soudage.

2.b. Les champs électromagnétiques (EMF) peuvent créer des interférences pour les stimulateurs cardiaques, et les soudeurs qui portent un stimulateur cardiaque devraient consulter leur médecin avant d'entreprendre le soudage

2.c. L'exposition aux champs électromagnétiques lors du soudage peut avoir d'autres effets sur la santé que l'on ne connaît pas encore.

2.d. Les soudeurs devraient suivre les consignes suivantes afin de réduire au minimum l'exposition aux champs électromagnétiques du circuit de soudage:

2.d.1. Regrouper les câbles d'électrode et de retour. Les fixer si possible avec du ruban adhésif.

2.d.2. Ne jamais entourer le câble électrode autour du corps.

2.d.3. Ne pas se tenir entre les câbles d'électrode et de retour. Si le câble d'électrode se trouve à droite, le câble de retour doit également se trouver à droite.

2.d.4. Connecter le câble de retour à la pièce la plus près possible de la zone de soudage.

2.d.5. Ne pas travailler juste à côté de la source de courant de soudage.



LES CHOCS ÉLECTRIQUES peuvent être mortels.

3.a. Les circuits de l'électrode et de retour (ou masse) sont sous tension quand la source de courant est en marche. Ne pas toucher ces pièces sous tension les mains nues ou si l'on porte des vêtements mouillés. Porter des gants isolants secs et ne comportant pas de trous.

3.b. S'isoler de la pièce et de la terre en utilisant un moyen d'isolation sec. S'assurer que l'isolation est de dimensions suffisantes pour couvrir entièrement la zone de contact physique avec la pièce et la terre.

En plus des consignes de sécurité normales, si l'on doit effectuer le soudage dans des conditions dangereuses au point de vue électrique (dans les endroits humides ou si l'on porte des vêtements mouillés; sur les constructions métalliques comme les sols, les grilles ou les échafaudages; dans une mauvaise position par exemple assis, à genoux ou couché, s'il y a un risque élevé de contact inévitable ou accidentel avec la pièce ou la terre) utiliser le matériel suivant :

- Source de courant (fil) à tension constante c.c. semi-automatique.
- Source de courant (électrode enrobée) manuelle c.c.
- Source de courant c.a. à tension réduite.

3.c. En soudage semi-automatique ou automatique, le fil, le dévidoir, la tête de soudage, la buse ou le pistolet de soudage semi-automatique sont également sous tension.

3.d. Toujours s'assurer que le câble de retour est bien connecté au métal soudé. Le point de connexion devrait être le plus près possible de la zone soudée.

3.e. Raccorder la pièce ou le métal à souder à une bonne prise de terre.

3.f. Tenir le porte-électrode, le connecteur de pièce, le câble de soudage et l'appareil de soudage dans un bon état de fonctionnement. Remplacer l'isolation endommagée.

3.g. Ne jamais tremper l'électrode dans l'eau pour la refroidir.

3.h. Ne jamais toucher simultanément les pièces sous tension des porte-électrodes connectés à deux sources de courant de soudage parce que la tension entre les deux peut correspondre à la tension à vide totale des deux appareils.

3.i. Quand on travaille au-dessus du niveau du sol, utiliser une ceinture de sécurité pour se protéger contre les chutes en cas de choc.

3.j. Voir également les points 6.c. et 8.



LE RAYONNEMENT DE L'ARC peut brûler.

4.a. Utiliser un masque à serre-tête avec oculaire filtrant adéquat et protège-oculaire pour se protéger les yeux contre les étincelles et le rayonnement de l'arc quand on soude ou quand on observe l'arc de soudage. Le masque à serre-tête et les oculaires filtrants doivent être conformes aux normes ANSI Z87.1.

4.b. Utiliser des vêtements adéquats en tissu ignifugé pour se protéger et protéger les aides contre le rayonnement de l'arc.

4.c. Protéger les autres employés à proximité en utilisant des paravents ininflammables convenables ou les avertir de ne pas regarder l'arc ou de ne pas s'exposer au rayonnement de l'arc ou aux projections ou au métal chaud.



LES FUMÉES ET LES GAZ peuvent être dangereux.

5.a. Le soudage peut produire des fumées et des gaz dangereux pour la santé. Éviter d'inhaler ces fumées et ces gaz. Quand on soude, tenir la tête à l'extérieur des fumées. Utiliser un système de ventilation ou d'évacuation suffisant au niveau de l'arc pour évacuer les fumées et les gaz de la zone de travail. **Quand on soude avec des électrodes qui nécessitent une ventilation spéciale comme les électrodes en acier inoxydable ou pour revêtement dur (voir les directives sur le contenant ou la fiche signalétique) ou quand on soude de l'acier au plomb ou cadmié ainsi que d'autres métaux ou revêtements qui produisent des fumées très toxiques, limiter le plus possible l'exposition et au-dessous des valeurs limites d'exposition (TLV) en utilisant une ventilation mécanique ou par aspiration à la source. Dans les espaces clos ou dans certains cas à l'extérieur, un appareil respiratoire peut être nécessaire. Des précautions supplémentaires sont également nécessaires quand on soude sur l'acier galvanisé.**

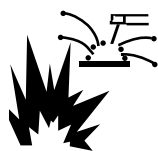
5.b. Le fonctionnement de l'appareil de contrôle des vapeurs de soudage est affecté par plusieurs facteurs y compris l'utilisation et le positionnement corrects de l'appareil, son entretien ainsi que la procédure de soudage et l'application concernées. Le niveau d'exposition aux limites décrites par OSHA PEL et ACGIH TLV pour les ouvriers doit être vérifié au moment de l'installation et de façon périodique par la suite afin d'avoir la certitude qu'il se trouve dans l'intervalle en vigueur.

5.c. Ne pas souder dans les endroits à proximité des vapeurs d'hydrocarbures chlorés provenant des opérations de dégraissage, de nettoyage ou de pulvérisation. La chaleur et le rayonnement de l'arc peuvent réagir avec les vapeurs de solvant pour former du phosgène, gaz très toxique, et d'autres produits irritants.

5.d. Les gaz de protection utilisés pour le soudage à l'arc peuvent chasser l'air et provoquer des blessures graves voire mortelles. Toujours utiliser une ventilation suffisante, spécialement dans les espaces clos pour s'assurer que l'air inhalé ne présente pas de danger.

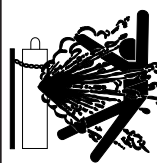
5.e. Lire et comprendre les instructions du fabricant pour cet appareil et le matériel de réserve à utiliser, y compris la fiche de données de sécurité des matériaux (MSDS) et suivre les pratiques de sécurité de l'employeur. Les fiches MSDS sont disponibles auprès du distributeur de matériel de soudage ou auprès du fabricant.

5.f. Voir également le point 1.b.



LES ÉTINCELLES DE SOUDAGE peuvent provoquer un incendie ou une explosion.

- 6.a. Enlever les matières inflammables de la zone de soudage. Si ce n'est pas possible, les recouvrir pour empêcher que les étincelles de soudage ne les atteignent. Les étincelles et projections de soudage peuvent facilement s'infiltrer dans les petites fissures ou ouvertures des zones environnantes. Éviter de souder près des conduites hydrauliques. On doit toujours avoir un extincteur à portée de la main.
- 6.b. Quand on doit utiliser des gaz comprimés sur les lieux de travail, on doit prendre des précautions spéciales pour éviter les dangers. Se référer à la "Sécurité pour le Soudage et le Coupage" (ANSI Z49.1) et les consignes d'utilisation relatives au matériel.
- 6.c. Quand on ne soude pas, s'assurer qu'aucune partie du circuit de l'électrode ne touche la pièce ou la terre. Un contact accidentel peut produire une surchauffe et créer un risque d'incendie.
- 6.d. Ne pas chauffer, couper ou souder des réservoirs, des fûts ou des contenants sans avoir pris les mesures qui s'imposent pour s'assurer que ces opérations ne produiront pas des vapeurs inflammables ou toxiques provenant des substances à l'intérieur. Elles peuvent provoquer une explosion même si elles ont été «nettoyées». For information, purchase "Recommended Safe Practices for the Preparation for Welding and Cutting of Containers and Piping That Have Held Hazardous Substances", AWS F4.1 from the American Welding Society (see address above).
- 6.e. Mettre à l'air libre les pièces moulées creuses ou les contenants avant de souder, de couper ou de chauffer. Elles peuvent exploser.
- 6.f. Les étincelles et les projections sont expulsées de l'arc de soudage. Porter des vêtements de protection exempts d'huile comme des gants en cuir, une chemise épaisse, un pantalon sans revers, des chaussures montantes et un casque ou autre pour se protéger les cheveux. Utiliser des bouche-oreilles quand on soude hors position ou dans des espaces clos. Toujours porter des lunettes de sécurité avec écrans latéraux quand on se trouve dans la zone de soudage.
- 6.g. Connecter le câble de retour à la pièce le plus près possible de la zone de soudage. Si les câbles de retour sont connectés à la charpente du bâtiment ou à d'autres endroits éloignés de la zone de soudage cela augmente le risque que le courant de soudage passe dans les chaînes de levage, les câbles de grue ou autres circuits auxiliaires. Cela peut créer un risque d'incendie ou surchauffer les chaînes de levage ou les câbles et entraîner leur défaillance.
- 6.h. Voir également le point 1.c.
- 6.i. Lire et appliquer la Norme NFPA 51B "pour la Prévention des Incendies Pendant le Soudage, le Coupage et d'Autres Travaux Impliquant de la Chaleur", disponible auprès de NFPA, 1 Batterymarch Park, PO Box 9101, Quincy, Ma 02269-9101.
- 6.j. Ne pas utiliser de source de puissance de soudage pour le dégel des tuyauteries.



LES BOUTEILLES peuvent exploser si elles sont endommagées.

- 7.a. N'utiliser que des bouteilles de gaz comprimé contenant le gaz de protection convenant pour le procédé utilisé ainsi que des détendeurs en bon état conçus pour les gaz et la pression utilisés. Choisir les tuyaux souples, raccords, etc. en fonction de l'application et les tenir en bon état.
- 7.b. Toujours tenir les bouteilles droites, bien fixées par une chaîne à un chariot ou à support fixe.
- 7.c. On doit placer les bouteilles :
 - Loin des endroits où elles peuvent être frappées ou endommagées.
 - À une distance de sécurité des opérations de soudage à l'arc ou de coupage et de toute autre source de chaleur, d'étincelles ou de flammes.
- 7.d. Ne jamais laisser l'électrode, le porte-électrode ou toute autre pièce sous tension toucher une bouteille.
- 7.e. Éloigner la tête et le visage de la sortie du robinet de la bouteille quand on l'ouvre.
- 7.f. Les bouchons de protection des robinets doivent toujours être en place et serrés à la main sauf quand la bouteille est utilisée ou raccordée en vue de son utilisation.
- 7.g. Lire et suivre les instructions sur les bouteilles de gaz comprimé, et le matériel associé, ainsi que la publication P-1 de la CGA "Précautions pour le Maniement en toute Sécurité de Gaz Comprimés dans des Cylindres", que l'on peut se procurer auprès de la Compressed Gas Association, 1235 Jefferson Davis Highway, Arlington, VA22202.

Pour des Appareils à Puissance ÉLECTRIQUE



- 8.a. Couper l'alimentation d'entrée en utilisant le disjoncteur à la boîte de fusibles avant de travailler sur le matériel.
- 8.b. Installer le matériel conformément au Code Électrique National des États Unis, à tous les codes locaux et aux recommandations du fabricant.
- 8.c. Mettre à la terre le matériel conformément au Code Électrique National des États Unis et aux recommandations du fabricant.

Visitez <http://www.lincolnelectric.com/safety> pour obtenir l'information additionnelle.

Merci

d'avoir choisi un produit de QUALITÉ Lincoln Electric. Nous tenons à ce que vous soyez fier d'utiliser ce produit Lincoln Electric ••• tout comme nous sommes fiers de vous livrer ce produit.

POLITIQUE D'ASSISTANCE AU CLIENT

Les activités commerciales de The Lincoln Electric Company sont la fabrication et la vente d'appareils de soudage de grande qualité, les pièces de rechange et les appareils de coupage. Notre défi est de satisfaire les besoins de nos clients et de dépasser leur attente. Quelquefois, les acheteurs peuvent demander à Lincoln Electric de les conseiller ou de les informer sur l'utilisation de nos produits. Nous répondons à nos clients en nous basant sur la meilleure information que nous possédons sur le moment. Lincoln Electric n'est pas en mesure de garantir de tels conseils et n'assume aucune responsabilité à l'égard de ces informations ou conseils. Nous dénisons expressément toute garantie de quelque sorte qu'elle soit, y compris toute garantie de compatibilité avec l'objectif particulier du client, quant à ces informations ou conseils. En tant que considération pratique, de même, nous ne pouvons assumer aucune responsabilité par rapport à la mise à jour ou à la correction de ces informations ou conseils une fois que nous les avons fournis, et le fait de fournir ces informations ou conseils ne crée, ni étend ni altère aucune garantie concernant la vente de nos produits.

Lincoln Electric est un fabricant sensible, mais le choix et l'utilisation de produits spécifiques vendus par Lincoln Electric relève uniquement du contrôle du client et demeure uniquement de sa responsabilité. De nombreuses variables au-delà du contrôle de Lincoln Electric affectent les résultats obtenus en appliquant ces types de méthodes de fabrication et d'exigences de service.

Susceptible d'être Modifié - Autant que nous le sachons, cette information est exacte au moment de l'impression. Prière de visiter le site www.lincolnelectric.com pour la mise à jour de ces info

Veillez examiner immédiatement le carton et le matériel

Quand ce matériel est expédié, son titre passe à l'acheteur dès que le transporteur le reçoit. Par conséquent, les réclamations pour matériel endommagé au cours du transport doivent être faites par l'acheteur contre la société de transport au moment de la réception.

Veillez inscrire ci-dessous les informations sur l'identification du matériel pour pouvoir s'y reporter ultérieurement. Vous trouverez cette information sur la plaque signalétique de votre machine.

Produit _____

Numéro de Modèle _____

Numéro e code / Code d'achat _____

Numéro de série _____

Date d'achat _____

Lieu d'achat _____

Chaque fois que vous désirez des pièces de rechange ou des informations sur ce matériel, indiquez toujours les informations que vous avez inscrites ci-dessus.

Inscription en Ligne

- Inscrivez votre machine chez Lincoln Electric soit par fax soit sur Internet.
- Par fax : Remplissez le formulaire au dos du bon de garantie inclus dans la paquet de documentation qui accompagne cette machine et envoyez-le en suivant les instructions qui y sont imprimées.
- Pour une inscription en Ligne: Visitez notre **WEB SITE www.lincolnelectric.com**. Choisissez l'option « Liens Rapides » et ensuite « Inscription de Produit ». Veuillez remplir le formulaire puis l'envoyer.

Lisez complètement ce Manuel de l'Opérateur avant d'essayer d'utiliser cet appareil. Gardez ce manuel et maintenez-le à portée de la main pour pouvoir le consultez rapidement. Prêtez une attention toute particulière aux consignes de sécurité que nous vous fournissons pour votre protection. Le niveau d'importance à attacher à chacune d'elle est expliqué ci-après :

AVERTISSEMENT

Cet avis apparaît quand on **doit suivre scrupuleusement** les informations pour éviter les **blessures graves** voire mortelles.

ATTENTION

Cet avis apparaît quand on **doit** suivre les informations pour éviter les **blessures légères** ou les **dommages du matériel**.

TABLE DES MATIÈRES

Installation	Section A
Spécifications Techniques	A-1, A-2
Mesures de Sécurité	A-2
Choix d'un Emplacement Approprié	A-2
Empilage	A-2
Inclinaison	A-2
Identifier et Repérer les Composants pour les Unités de 180 Amp et 140 Amp	A-3
Identifier et Repérer les Composants pour l'u- nité de 125 AMP pour Soudage avec Élec- trode Fourrée	A-3
Fonctionnement	Section B
Sécurité et Description du Produit	B-1
Contrôles et Réglages	B-2, B-3
Préparation et Réalisation d'une Soudure avec Électrode Fourrée	B-4
Préparation et Réalisation d'une Soudure à Noyau Fondant	B-4 à B-6
Préparation et Réalisation d'une Soudure MIG Installation du Gaz de Protection ..	B-7 à B-10
Préparation et Réalisation d'une Soudure en Aluminium	B-11
Accessoires	Section C
Accessoires en Option	C-1
Chariots à Usages Multiples	C-2, C-3
Entretien	Section D
Mesures de Sécurité	D-1
Entretien de Compartiment de la Source de Puissance, Moteur du Ventilateur, Dévidoir de Fil	D-1
Entretien du Pistolet et du Câble	D-1
Protection contre les Surcharges	D-2
Guide de Dépannage	Section E
Comment Utiliser le Guide de Dépannage	E-1
Guide de Dépannage	E-2 à E-3
Diagramme de Câblage & Schéma Dimensionnel	Section F
Pages de Pièces	P-532, P-202-E

SPÉCIFICATIONS TECHNIQUES Unités de 180 Amps (K2481-1, K2515-1, K2659-1, K2689-1, K2698-1)

ENTRÉE – MONOPHASE SEULEMENT			
<u>Tension / Fréquence Normales</u> 230 V 60 Hz 208 V 60 Hz		<u>Courant d'Entrée</u> 20 Amps @ régime de sortie 20 Amps @ régime de sortie	
RÉGIME DE SORTIE			
<u>Tension / Facteur de Marche</u> 230 V 30% 208 V 30%		<u>Courant</u> 130 Amps 130 Amps	<u>Tension à Régime d'Ampères</u> 20 17
SORTIE			
<u>Registre Courant de Soudage</u> 30-180 Amps	<u>Tension Circuit Ouvert</u> 34 V	<u>Registre Vitesse Fil</u> 50 - 500 in/min. (1,3 - 12,7 m/min.)	
TAILLES RECOMMANDÉES DE CÂBLES D'ENTRÉE ET DE FUSIBLES			
<u>Tension / Fréquence d'Entrée</u>	<u>Taille Fusible ou Disjoncteur¹</u>	<u>Amps Entrée</u>	<u>Cordon de Puissance</u>
230 V 60 Hz	Super Lag 40 Amp	20	Prise à Trois Pointes de 50 Amps, 250 V (NEMA Type 6-50P)
DIMENSIONS PHYSIQUES			
<u>Hauteur</u> 13,7 in 347 mm	<u>Largeur</u> 10,15 in 258 mm	<u>Profondeur</u> 17,9 in 454 mm	<u>Poids</u> 64 lbs 29 kg

¹ Si branché sur un circuit protégé par des fusibles, utiliser des Fusibles à Retardement portant la marque « D ».

Unités de 140 Amps (K2480-1, K2514-1, K2658-1, K2688-1, K2697-1)

ENTRÉE – MONOPHASE SEULEMENT				
<u>Tension / Fréquence Normales</u> 120 V / 60 Hz		<u>Courant d'Entrée</u> 20 Amps @ régime de sortie		
RÉGIME DE SORTIE				
<u>Facteur de Marche</u> 20% Facteur de Marche		<u>Courant</u> 90 Amps	<u>Tension à Régime d'Ampères</u> 19,5	
SORTIE				
<u>Registre Courant de Soudage</u> 30-140 Amps	<u>Tension Circuit Ouvert</u> 33 V	<u>Registre Vitesse Fil</u> 50 - 500 in/min. (1,3 - 12,7 m/min.)		
TAILLES RECOMMANDÉES DE CÂBLES D'ENTRÉE ET DE FUSIBLES				
<u>Tension / Fréquence d'Entrée</u>	<u>Taille Fusible ou Disjoncteur^{1,2}</u>	<u>Amps Entrée</u>	<u>Cordon de Puissance</u>	<u>Rallonge</u>
120 V 60 Hz	20 Amp	20	Prise à Trois pointes, 15 Amps, 125 V (NEMA Type 5-15P)	À 3 Conducteur No. 12 AWG (4mm ²) ou Supérieure jusqu'à 50 ft.(15,2m)
DIMENSIONS PHYSIQUES				
<u>Hauteur</u> 13,7 in 347 mm	<u>Largeur</u> 10,15 in 258 mm	<u>Profondeur</u> 17,9 in 454 mm	<u>Poids</u> 54 lbs 24,5 kg	

¹ Si branché sur un circuit protégé par des fusibles, utiliser des Fusibles à Retardement portant la marque « D ».

SOUDEUSE CHARGEUR DE FIL (MODÈLES 125, 140, 180)



SPÉCIFICATIONS TECHNIQUES

Unités de 125 Amp (K2479-1, K2513-1, K2696-1, K2699-1 K2785-1)

ENTRÉE – MONOPHASE SEULEMENT				
<u>Tension / Fréquence Normales</u> 120 V / 60 Hz		<u>Courant d'Entrée</u> 20 Amps @ régime de sortie		
RÉGIME DE SORTIE				
<u>Facteur de Marche</u> 20% Facteur de Marche		<u>Courant</u> 90 Amps	<u>Tension à Régime d'Ampères</u> 19	
SORTIE				
<u>Registre Courant de Soudage</u> 30-125 Amps		<u>Tension Circuit Ouvert</u> 33 V	<u>Registre Vitesse Fil</u> 50 - 500 in/min. (1,3 - 12,7 m/min.)	
TAILLES RECOMMANDÉES DE CÂBLES D'ENTRÉE ET DE FUSIBLES				
<u>Tension / Fréquence d'Entrée</u>	<u>Taille Fusible ou Disjoncteur^{1,2}</u>	<u>Amps Entrée</u>	<u>Cordon de Puissance</u>	<u>Rallonge</u>
120 V 60 Hz	20 Amp	20	Prise à Trois pointes, 15 Amps, 125 V (NEMA Type 5-15P)	À 3 Conducteur No. 12 AWG (4mm ²) ou Supérieure jusqu'à 50 ft.(15,2m)
DIMENSIONS PHYSIQUES				
<u>Hauteur</u> 13,7 in 347 mm	<u>Largeur</u> 10,15 in 258 mm	<u>Profondeur</u> 17,9 in 454 mm	<u>Poids</u> 48 lbs 21,7 kg	

¹Si branché sur un circuit protégé par des fusibles, utiliser des Fusibles à Retardement portant la marque « D ».

² Conditions Pour Le Rendement Maximum

Afin d'utiliser les possibilités maximum de rendement de la machine, un circuit de branche capable de 25 ampères à 120 volts, 60 Hertz est exigé.

Lire la section d'Installation dans sa totalité avant de commencer l'installation.

MESURES DE SÉCURITÉ

AVERTISSEMENT



LES CHOCS ÉLECTRIQUES peuvent être mortels.

- Cette opération ne doit être réalisée que par le personnel qualifié.
- Seul le personnel ayant lu et compris le Manuel d'Opération de la SOUDEUSE CHARGEUR DE FIL est en mesure d'installer et de faire fonctionner cet appareil.
- La machine doit être branchée sur un réceptacle raccordé à terre conformément aux Codes Électriques Nationaux et Locaux et à tout autre en vigueur.
- L'interrupteur de puissance de la SOUDEUSE CHARGEUR DE FIL doit se trouver sur la position ÉTEINTE (OFF « O ») au moment de l'installation du câble de travail et du pistolet et de la connexion du cordon de puissance sur la puissance d'entrée.

CHOIX D'UN EMPLACEMENT APPROPRIÉ

Placer la soudeuse dans un endroit sec là où l'air propre peut circuler librement en entrant par les événements se trouvant sur l'arrière de l'unité et en sortant par l'avant. Un endroit réduisant au minimum la quantité de fumée et de saleté pouvant être attirée à l'intérieur des événements de l'arrière diminue les probabilités d'accumulation de saleté pouvant bloquer les passages d'air et provoquer une surchauffe.

EMPILAGE

La SOUDEUSE CHARGEUR DE FIL (MODÈLES 125, 140, 180) ne peut pas être empilée.

INCLINAISON

Chaque machine doit être placée sur une surface nivelée et sûre, soit directement soit sur un chariot recommandé. La machine pourrait basculer si cette procédure n'était pas respectée..

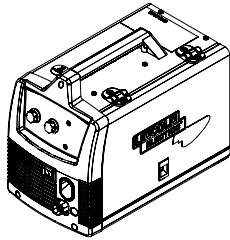
SOUDEUSE CHARGEUR DE FIL (MODÈLES 125, 140, 180)



IDENTIFICATION ET EMPLACEMENT DES COMPOSANTS pour les Unités de 180 AMP et 140 AMP

COMPOSANTS INCLUS

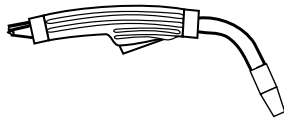
- Soudeuse Chargeur de Fil.



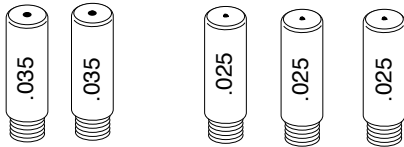
- Câble de Travail et Agrafe.



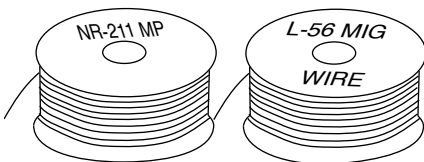
- Pistolet à Souder Magnum 100L.



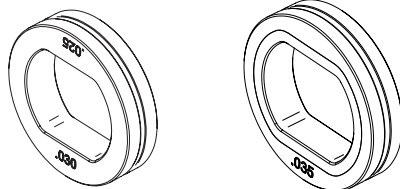
- 3 Pointes de Contact de 0,035 (une installée sur le pistolet à souder).
- 3 Pointes de Contact de 0,025.



- Bobine de Fil Innershield à Noyau Fondant NR-211MP de 0,035 de diamètre.
- Bobine de Fil MIG L-56 de 0,025 de diamètre.



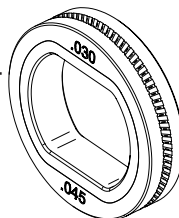
- Rouleau Conducteur • Rouleau Conducteur



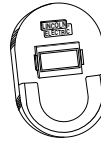
Lisse de 0,025.

Lisse de 0,035.

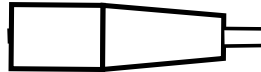
- Rouleau Conducteur Moleté de 0,030 – 0,045 (Installé sur la Machine).



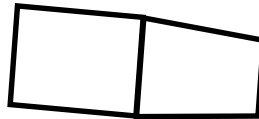
- Écran à Main*
*Handshield non disponible sur le code 11658.



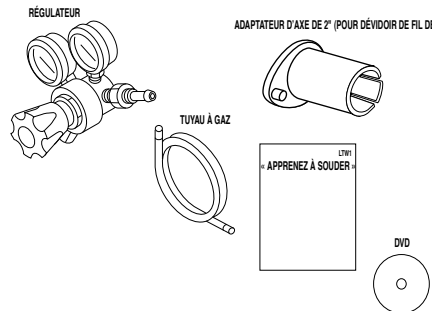
- Bec de Gaz Noir pour Usage sans Gaz avec Électrode Fourrée (Installé sur le Pistolet à Souder).



- Bec de Gaz en Laiton pour Gaz MIG.



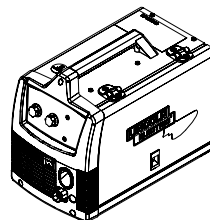
- Adaptateur d'Axe de 2" (Pour Dévidoir de Fil de 8")
- Régulateur
- Tuyau à Gaz
- Apprenez à Souder (Manuel LTW1)
- DVD



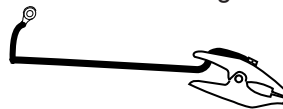
IDENTIFICATION ET EMPLACEMENT DES COMPOSANTS pour L'UNITÉ DE 125 AMP POUR SOUDAGE AVEC ÉLECTRODE FOURRÉE

COMPOSANTS INCLUS

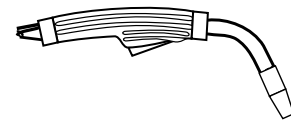
- Soudeuse Chargeur de Fil.



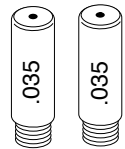
- Câble de Travail et Agrafe.



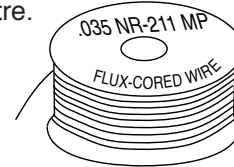
- Pistolet à Souder Magnum 100L.



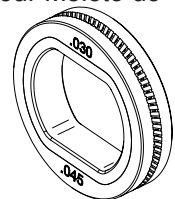
- 3 Pointes de Contact de 0,035 (une installée sur le pistolet à souder).



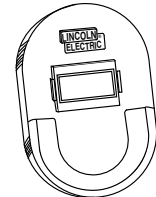
- Bobine de Fil Innershield à Noyau Fondant NR-211MP de 0,035 de diamètre.



- Rouleau Conducteur Moleté de 0,030 – 0,045 (Installé sur la Machine).



- Écran à Main

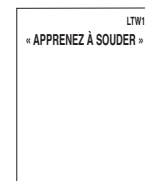
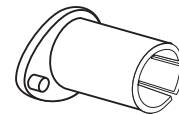


- Bec de Gaz Noir pour Usage sans Gaz avec Électrode Fourrée (Installé sur le Pistolet à Souder).



- Adaptateur d'Axe de 2" (Pour Dévidoir de Fil de 8")
- Apprenez à Souder (Manuel LTW1)
- DVD

ADAPTATEUR D'AXE DE 2" (POUR DÉVIDOIR DE FIL DE 8")



Lire la section de Fonctionnement dans sa totalité avant de faire fonctionner la SOUDEUSE CHARGEUR DE FIL

AVERTISSEMENT

LES CHOCS ÉLECTRIQUES peuvent être mortels.

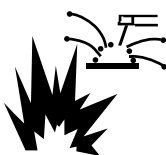


- Ne pas toucher les pièces sous tension ou l'électrode les mains nues ou si l'on porte des vêtements humides. S'isoler du travail et du sol.
- Toujours porter des gants isolants secs.

LES VAPEURS ET LES GAZ peuvent être dangereux.



- Maintenir la tête hors des vapeurs.
- Utiliser la ventilation ou un système d'échappement pour évacuer les vapeurs de la zone de respiration.



LES ÉTINCELLES DE SOUDURE peuvent provoquer des incendies ou des explosions.

- Tenir les matériaux inflammables éloignés.
- Ne pas souder sur des récipients fermés.



LES RAYONS DES ARCS peuvent causer des brûlures aux yeux et à la peau.

- Porter des protections pour les yeux, les oreilles et le corps.

Suivre toutes les instructions de Sécurité détaillées tout au long de ce manuel.

DESCRIPTION DU PRODUIT (CAPACITÉS DU PRODUIT)

Ces petites soudeuses et chargeurs de fil portables sont capables d'effectuer un soudage MIG sur de l'acier, de l'acier inoxydable et de l'aluminium. Elles sont aussi capables d'effectuer un soudage avec électrode fourrée sur de l'acier doux.

Le soudage MIG signifie soudage à Gaz Inerte Métal et requiert d'une bouteille de gaz inerte à part pour protéger la soudure jusqu'à ce qu'elle refroidisse. Du gaz de protection approprié en fonction du type de matériau à souder peut être acheté séparément chez le distributeur de gaz à souder le plus proche. Le soudage MIG est idéal pour souder sur des matériaux propres et plus fins lorsqu'une excellente soudure très propre et d'apparence cosmétique est nécessaire. Par exemple, les panneaux de la carrosserie d'une voiture.

Le soudage auto blindé à noyau fondant ne requiert pas de gaz de protection à part pour protéger la soudure car le fil à souder contient des additifs spéciaux connus en tant que fondants pour protéger la soudure jusqu'à ce qu'elle refroidisse. Le soudage avec électrode fourrée est idéal pour des matériaux d'épaisseur moyenne et plus épais et pour souder sur de l'acier peint ou rouillé. Le soudage à noyau fondant est aussi idéal pour des applications en extérieur où le vent pourrait souffler sur le gaz de protection MIG et l'éloigner de la soudure. Le soudage avec électrode fourrée produit une belle soudure mais pas d'apparence excellente comme avec le soudage MIG.

La machine comprend les articles nécessaires pour souder sur l'acier aussi bien avec le procédé MIG qu'avec le procédé à noyau fondant. Pour souder sur de l'acier inoxydable, du fil à souder en acier inoxydable en option peut être acheté séparément. Cette machine peut souder de l'aluminium en utilisant du fil à souder en aluminium 4043 de 0,035 de diamètre. Du fait que le fil à souder en aluminium est souple, il est recommandé d'utiliser un pistolet à bobine d'aluminium en option pour obtenir de meilleurs résultats. Une Étiquette Autocollante de Procédure de Soudage se trouve sur la face intérieure de la porte de la machine afin d'aider à obtenir les réglages recommandés pour le soudage.

ABBREVIATIONS DE SOUDAGE COMMUNES

GMAW (MIG)

- Soudage à l'Arc Gaz Métal

FCAW (Innershield ou Outershield)

- Soudage à l'Arc à Noyau Fondant

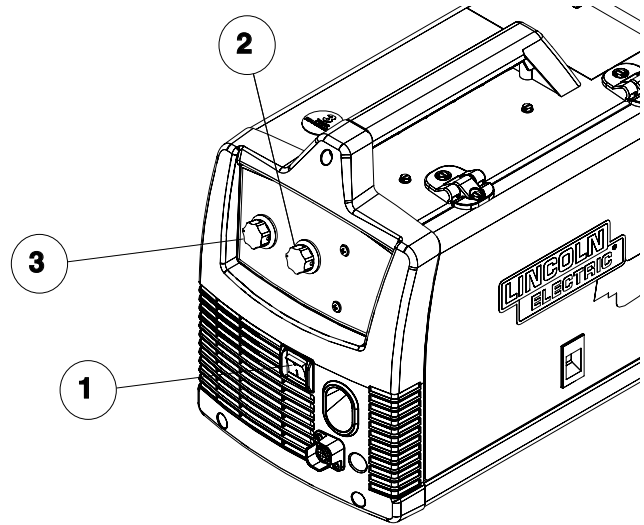
CONTRÔLES ET RÉGLAGES

Cette machine possède les contrôles suivants:

Voir la Figure B.1

FIGURE B.1

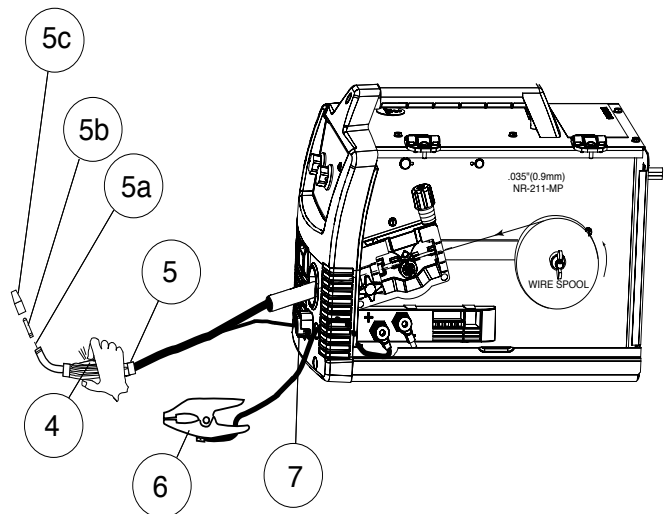
1. **INTERRUPTEUR DE PUISSANCE** – Allume et coupe la puissance de la machine.
2. **CONTRÔLE DE LA TENSION DE L'ARC** – Ce bouton règle la tension de sortie de la machine. De même que pour la vitesse d'alimentation du fil (WFS), ce contrôle établit une procédure de soudage. Se reporter à l'étiquette autocollante de procédure sur la face intérieure de la porte du compartiment de l'entraîneur de fil pour établir une procédure de soudage correcte en fonction du type de matériau à souder et de son épaisseur.
3. **CONTRÔLE DE LA VITESSE D'ALIMENTATION DU FIL (WFS)** – Le bouton règle la vitesse à laquelle la machine alimente le fil. De même que pour la tension de l'arc, ce contrôle établit une procédure de soudage. Se reporter à l'étiquette autocollante de procédure sur la face intérieure de la porte du compartiment du conducteur de fil pour établir une procédure de soudage correcte en fonction du type de matériau à souder et de son épaisseur.



Voir la Figure B.2.

FIGURE B.2

4. **GÂCHETTE DU PISTOLET** - Appuyer sur la gâchette pour activer l'entraîneur de fil afin qu'il alimente le fil et pour placer la sortie de la machine sous énergie. Appuyer sur la gâchette pour souder et relâcher la gâchette pour cesser de souder.
5. **PISTOLET À SOUDER** – Fournit du fil et du courant de soudage à la soudure.
 - a. Gaine du Pistolet – le fil se déplace au travers de la gaine depuis l'entraîneur de fil. La gaine alimente du fil de 0,025 à 0,035. La machine de 180A peut souder avec du fil de 0,045 si une gaine de 0,045 en option est installée dans le pistolet.
 - b. Pointe de Contact – Fournit au fil un contact électrique.
 - c. Bec – Lors du soudage à noyau fondant, le bec noir protège le filetage de montage du pistolet. Lors du soudage MIG, le bec en laiton envoie du gaz de protection sur la soudure.
6. **AGRAFE ET CÂBLE DE TRAVAIL** – S'agrafe sur la pièce à travailler qui va être soudée et ferme le circuit électrique de soudage.
7. **RÉCEPTACLE DU CONNECTEUR DE LA GÂCHETTE DU PISTOLET** – Brancher le connecteur à 4 goupilles de la gâchette du pistolet sur ce réceptacle

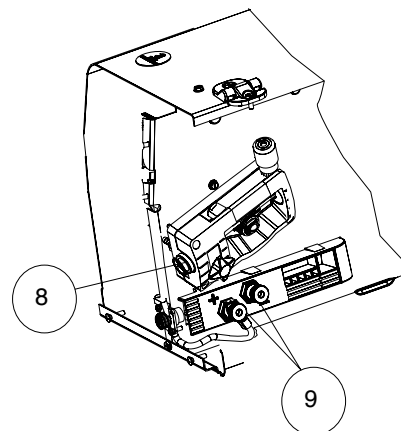


Voir la Figure B.3.

8. COUSSINET ET VIS DE PRESSION DU CONNECTEUR DU PISTOLET À SOUDER – Fournit la puissance électrique au pistolet à souder. La vis de pression maintient le pistolet à souder dans le bloc du connecteur. (Le Devant de la Machine, la Porte Latérale et le Couvercle de l'Entraîneur de Fil ont été retirés pour une plus grande clarté des articles 8 et 9).

9. TERMINALES DE SORTIE – Ces connexions permettent de changer la polarité de soudage de la machine en fonction du soudage, MIG ou avec électrode fourrée.

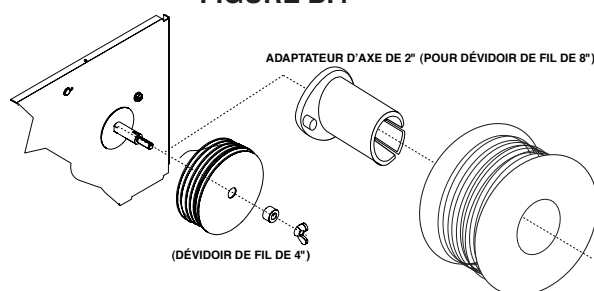
FIGURE B.3



Voir la Figure B.4

10. AXE ET FREIN DE LA BOBINE DE FIL – Soutient une bobine de 4 pouces de diamètre. Employer l'adaptateur d'axe de 2 pouces inclus avec la machine pour utiliser des bobines de 8 pouces de diamètre. La vis de pression règle la friction du frein afin d'empêcher la bobine de trop tourner lorsque la gâchette est relâchée.

FIGURE B.4



Voir la Figure B.5

11. ENTRAÎNEUR DE FIL & COMPOSANTS – Alimente le fil depuis la bobine de fil en passant par l'entraîneur et par le pistolet à souder jusqu'à la soudure.

a. Rouleau Conducteur – Entraîne le fil au travers du mécanisme d'entraînement. Le rouleau conducteur possède une rainure afin de s'adapter au type et diamètre de fil spécifiques. Se reporter au Tableau B.1 pour les rouleaux conducteurs disponibles.

b. Gaine & Guide Sortant – La gaine guide le fil entre le roulement sur l'Ensemble du Bras Pivot et le Rouleau Conducteur et à travers le guide sortant.

c. Vis de Pression de Tension du Rouleau Conducteur – Si on la tourne dans le sens des aiguilles d'une montre, on augmente la force exercée sur les rouleaux conducteurs, et si on la tourne dans le sens contraire à celui des aiguilles d'une montre, on réduit cette force.

FIGURE B.5

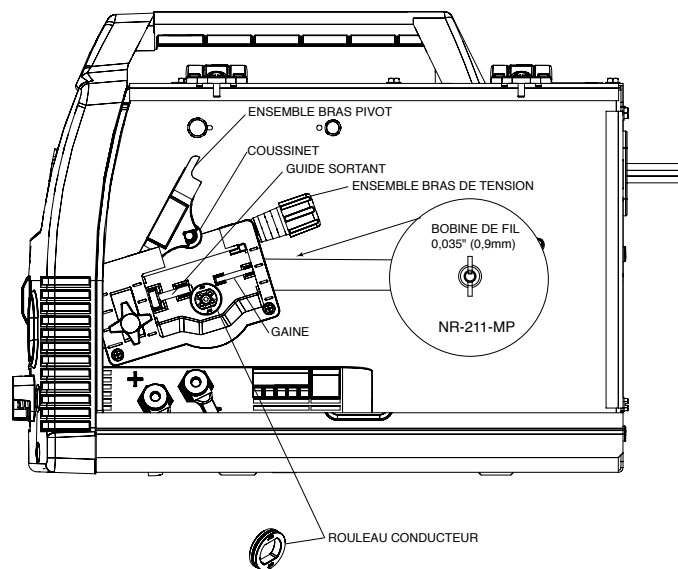


TABLEAU B.1
ROULEAUX CONDUCTEURS

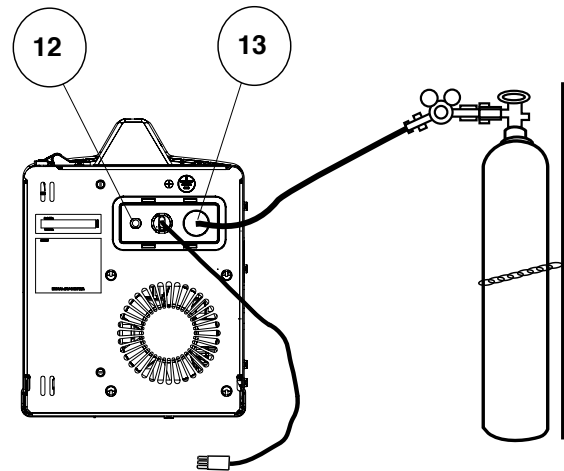
Diamètre & Type de Fil	Rouleau Conducteur	No. Pièce Rouleau Conducteur
Fil MIG de 0,025	Rouleau Conducteur Lisse de 0,025 - 0,025	KP2529-1
Fil MIG de 0,030		
Fil MIG de 0,035	Rouleau Conducteur Lisse de 0,035	KP2529-2
Fil Fourré de 0,030	Rouleau Conducteur Moleté de 0,030/0,045	KP2529-3
Fil Fourré de 0,035		
Fil Fourré de 0,045	Rouleau Conducteur Moleté de 0,030/0,045	KP2529-3

Voir la Figure B.6

12. DISJONCTEUR – Si le courant nominal d'entrée de la machine est dépassé, ce disjoncteur saute. Appuyer pour le rétablir.

13. ADMISSION DE GAZ – Le gaz de protection se branche sur cette admission
(En option sur l'unité de 125 Amp)

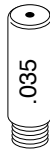
FIGURE B.6



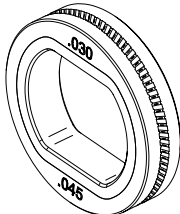
PRÉPARATION ET RÉALISATION D'UNE SOUDURE AVEC ÉLECTRODE FOURRÉE

A. ARTICLES NÉCESSAIRES AU SOUDAGE AVEC ÉLECTRODE FOURRÉE

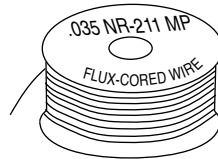
1. Pointe de Contact de 0,035



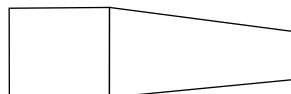
2. Rouleau Conducteur Moleté



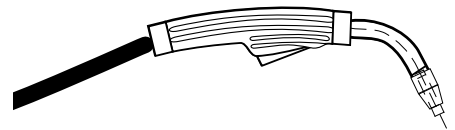
3. Fil Fourré de 0,035 NR-211MP



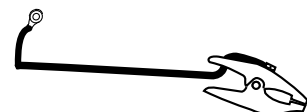
4. Bec Noir de Pistolet pour Soudage à Noyau Fondant



5. Pistolet à Souder



7. Câble & Agrafe de Travail



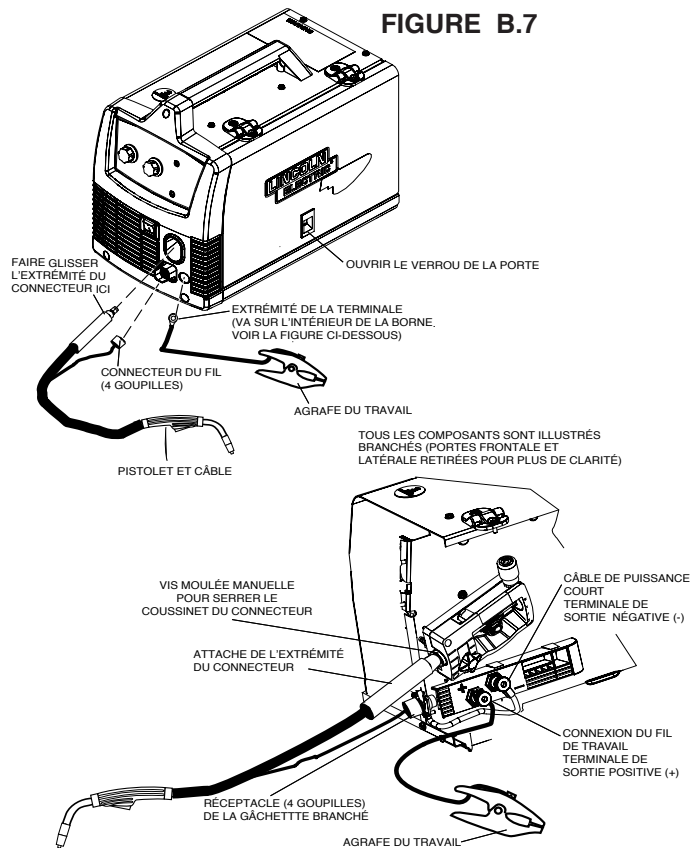
SOUDEUSE CHARGEUR DE FIL (MODÈLES 125, 140, 180)



B. BRANCHEMENT DES FILS ET CÂBLES SUR LA MACHINE

(Voir la figure B.7)

- Ouvrir la porte latérale de la console.
- Faire glisser l'extrémité du connecteur du pistolet et du câble au travers de l'orifice sur le devant de la machine et à l'intérieur du coussinet du connecteur du pistolet sur l'entraîneur de fil.
- S'assurer que l'extrémité du connecteur du pistolet se trouve complètement à l'intérieur de l'entraîneur de fil puis serrer la vis moulée manuelle afin de fixer le connecteur du pistolet.
- Brancher le connecteur du fil de la gâchette du pistolet sur le réceptacle à 4 goupilles de la gâchette du pistolet sur le devant de la machine.
- Polarité de l'Entraîneur de Fil. Le soudage à noyau fondant s'effectue avec la polarité négative (-). Brancher le câble de puissance court de l'entraîneur de fil sur la terminale de sortie négative (-) puis serrer le bouton moleté.
- Connexion du Fil de Travail. Faire glisser l'extrémité à ergot du câble de travail au travers de l'orifice sur le devant de la machine et le placer sur la terminale de sortie positive (+) puis serrer le bouton moleté.

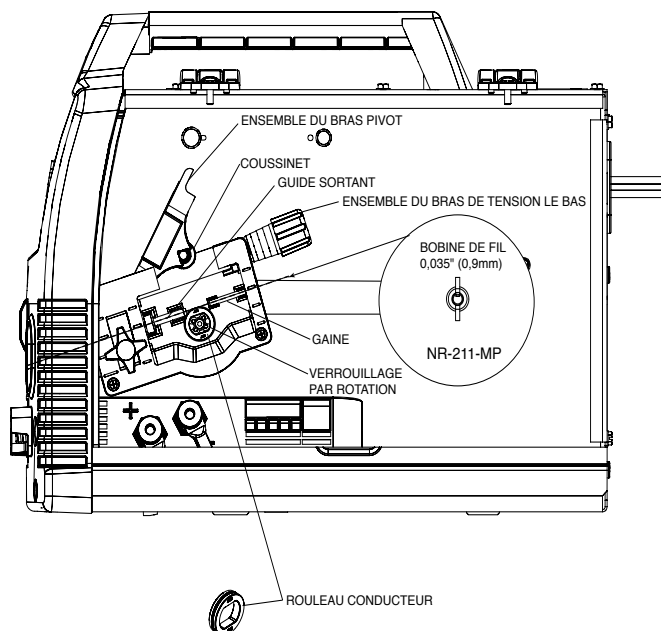


C. CHARGEMENT DE LA BOBINE DE FIL

(Voir la Figure B.8)

- Repérer la bobine de fil fourré de 0,035 NR-211MP de 4" de diamètre portant une étiquette bleue et la placer sur l'axe de bobine de fil. Orienter la bobine de telle sorte que le fil se déroule par le haut de la bobine.
- Fixer la bobine en place en serrant l'écrou papillon contre la bague d'espacement qui maintient la bobine de fil sur l'axe.
- Ouvrir l'ensemble du bras pivot en tournant l'ensemble du bras de tension vers le bas et soulever l'ensemble du bras pivot.
- Retirer le rouleau conducteur en faisant tourner le verrouillage par rotation qui maintient le rouleau conducteur. Installer le rouleau conducteur moleté de 0,035-0,045.
- Dérouler prudemment et étirer les six premiers pouces de fil à souder de la bobine. Ne pas lâcher l'extrémité du fil afin d'empêcher le fil de se dérouler.

FIGURE B.8



(Voir la Figure B.9)

- Alimenter le fil au travers de la gaine interne, sur la rainure du rouleau conducteur, au travers du guide sortant et de la sortie de l'entraîneur de fil sur le côté du pistolet.
- Fermer l'Ensemble du Bras Pivot et le serrer en refaisant tourner l'Ensemble du Bras de Tension vers le haut.

(Voir la Figure B.10)

- Retirer le bec du pistolet et de la pointe de contact et étendre le pistolet bien à plat.
- Allumer la puissance de la machine et appuyer sur la gâchette du pistolet pour alimenter le fil au travers de la gaine du pistolet jusqu'à ce que plusieurs pouces de fil sortent par l'extrémité fileté du pistolet. (Voir la Figure B.11).
- Lorsque la gâchette est relâchée, la bobine de fil ne doit pas se dérouler. Régler le frein de la bobine de fil en fonction des besoins.

⚠ AVERTISSEMENT



ILS PIÈCES MOBILES ET LES CONTACTS ÉLECTRIQUES PEUVENT PROVOQUER DES BLESSURES OU MÊME LA MORT.

•Lorsqu'on appuie sur la gâchette, les rouleaux conducteurs, la bobine de fil et l'électrode se trouvent SOUS ALIMENTATION ÉLECTRIQUE.

• Se tenir éloigné des pièces mobiles et des leviers.

• Maintenir toutes les Portes, Couvertures, Panneaux et Protections bien en place.



NE PAS RETIRER NI DISSIMULER LES ÉTIQUETTES D'AVERTISSEMENT.

- Installer la pointe de contact de 0,035.
- Installer le bec noir de soudage à noyau fondant sur le pistolet.
- Régler le dépassement du fil à 3/8" de la pointe de contact. (Voir la Figure B.12).
- Fermer la porte latérale de la console. La machine est alors prête à souder.
- Lire le manuel « Apprenez à Souder » (LTW1) qui est inclus avec la machine ou bien regarder le DVD « Comment Souder » qui est également inclus avec la machine.
- En fonction de l'épaisseur du matériau à souder et du type et diamètre du fil à souder, régler la tension et la vitesse d'alimentation du fil conformément à l'étiquette autocollante de procédure qui se trouve sur la face intérieure de la porte du compartiment de l'entraîneur de fil.

FIGURE B.9

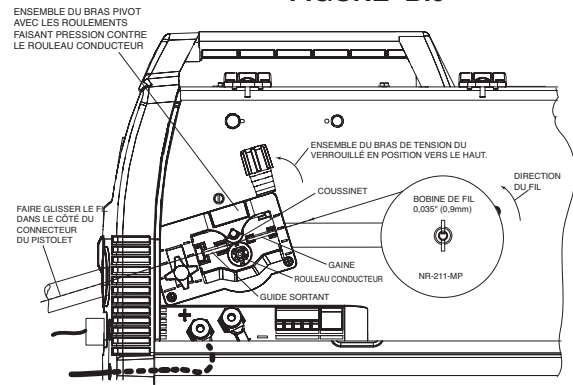


FIGURE B.10

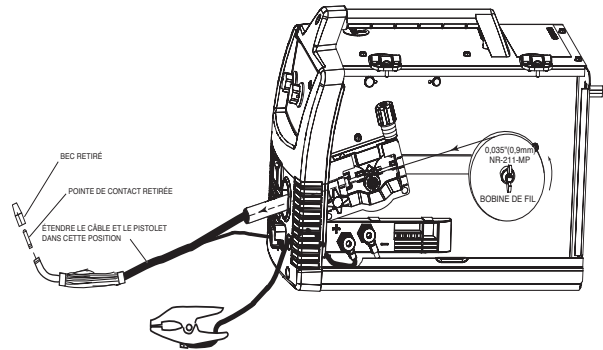


FIGURE B.11

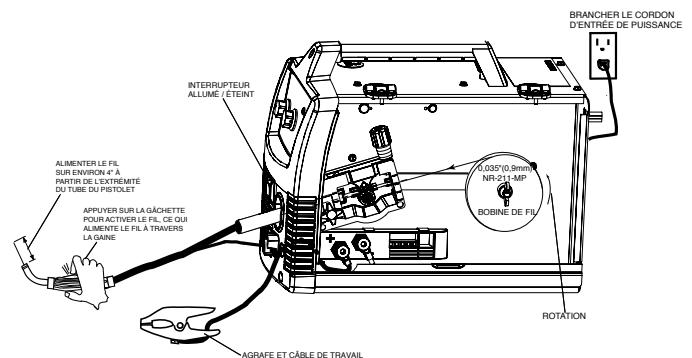
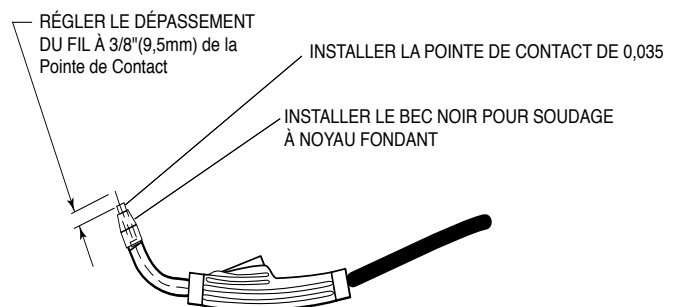


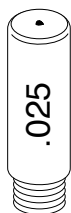
FIGURE B.12



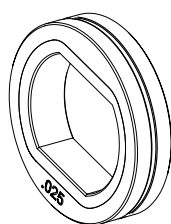
PRÉPARATION ET RÉALISATION D'UNE SOUDURE MIG*

A. ARTICLES NÉCESSAIRES AU SOUDAGE MIG

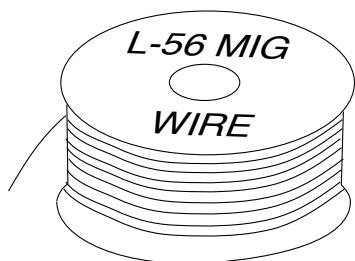
1. Pointe de Contact de 0,025



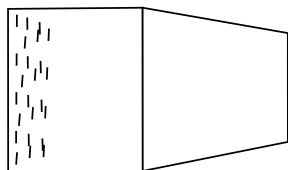
3. Rouleau Conducteur de 0,025



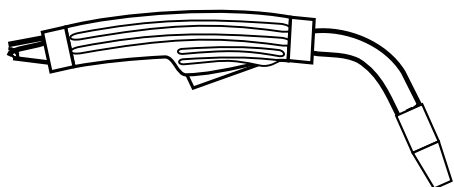
4. Fil MIG Solide de 0,025 SuperArc L-56



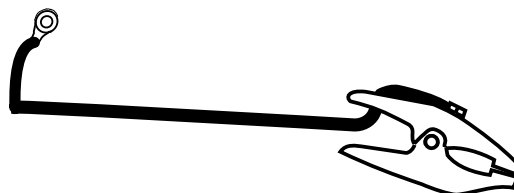
5. Bec de Pistolet en Laiton



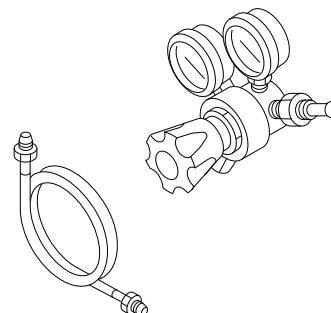
6. Pistolet à Souder



7. Câble et Agrafe de Travail

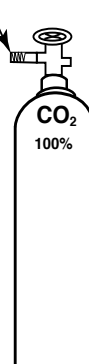


8. Régulateur de Gaz et Ligne de Gaz



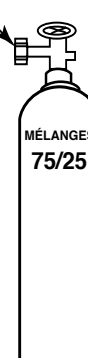
9. Bouteille de gaz de protection 75/25 Ar/CO₂ (ou gaz de protection 100% CO₂). (Noter que celui-ci requiert un adaptateur de régulateur de CO₂ qui est vendu séparément).

EXTRÉMITÉ MÂLE



(REQUIERT UN ADAPTATEUR
VENDU SÉPARÉMENT)

EXTRÉMITÉ FEMELLE

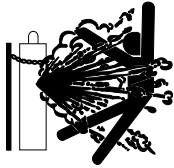


* Les Unités de 125 Amp peuvent être mises à jour pour le soudage MIG au moyen du KIT K2526-1 (Voir la Section Accessoires).

B. INSTALLATION DU GAZ DE PROTECTION

Pour le soudage MIG, il est nécessaire d'avoir une bouteille de gaz de protection appropriée. Pour l'acier doux, on peut utiliser soit un cylindre de mélange Ar/CO₂ soit du CO₂ à 100%. Se reporter aux instructions ci-dessous pour connecter correctement le gaz de protection sur la machine.

AVERTISSEMENT



LES CYLINDRES peuvent exploser s'ils sont endommagés. Tenir les cylindres bien droits et enchaînés au support.

- Tenir les cylindres éloignés des zones où ils pourraient être endommagés.
- Ne jamais soulever la soudeuse lorsque le cylindre y est fixé.
- Ne jamais permettre que l'électrode de soudage touche les cylindres.
- Tenir les cylindres éloignés des circuits de soudage ou de tout autre circuit sous alimentation électrique.

AVERTISSEMENT



L'ACCUMULATION DE GAZ DE PROTECTION peut être nocive pour la santé ou être mortelle.

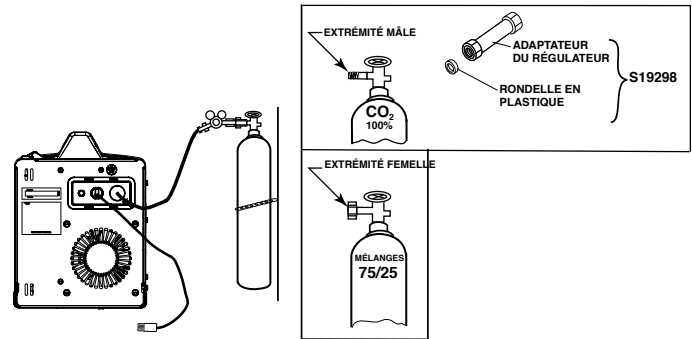
- Couper l'alimentation du gaz de protection lorsque celui-ci n'est pas utilisé.

1. Attacher le cylindre à un mur ou à un autre support fixe afin de l'empêcher de tomber. Isoler le cylindre du circuit de travail et de la masse. Se reporter à la Figure B.13.
2. Une fois le cylindre installé de façon sûre, retirer le bouchon du cylindre. Se tenir sur un côté loin de la sortie du gaz puis ouvrir très légèrement la soupape du cylindre pendant un instant. Ceci permet d'éliminer toute poussière ou saleté pouvant s'être accumulée dans l'échappement de la soupape.

AVERTISSEMENT

PRENDRE GARDE DE MAINTENIR SON VISAGE LOIN DE LA SORTIE DE LA SOUPAPE PENDANT QUE L'ON OUVRE LA SOUPAPE. Ne jamais se tenir directement devant ou derrière le régulateur de flux au moment d'ouvrir la soupape du cylindre. Toujours se tenir sur le côté.

FIGURE B.13



3. Fixer le régulateur de flux sur la soupape du cylindre et bien serrer l'écrou de l'union au moyen d'une clef.

NOTE: Si la connexion est effectuée sur un cylindre à 100% de CO₂, un adaptateur de régulateur de CO₂ est requis. Acheter séparément l'adaptateur de CO₂ S19298. Prendre soin d'installer la rondelle en plastique incluse avec l'accessoire sur le côté de la bouteille. (Voir la Figure B.13).

4. Se reporter à la Figure B.13. Fixer une extrémité du tuyau de gaz d'admission sur l'accessoire de sortie du régulateur de flux et bien serrer l'écrou de l'union au moyen d'une clef. Brancher l'autre extrémité sur l'Accessoire d'Admission du Solénoïde de la machine (filetage femelle de 5/8-18 – pour accessoire CGA – 032). S'assurer que le tuyau à gaz ne soit pas déformé ou tordu.

GAZ DE PROTECTION

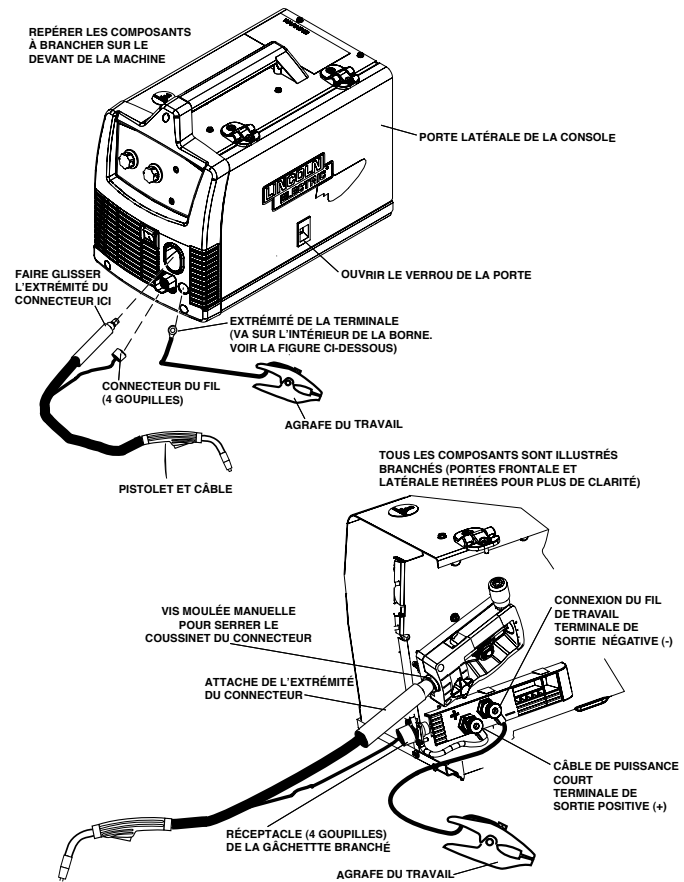
1. Pour le CO₂, ouvrir le cylindre très lentement. Pour le gaz argon mélangé, ouvrir lentement la soupape du cylindre sur une fraction de tour. Lorsque l'aiguille de la jauge à pression du cylindre cesse de bouger, ouvrir complètement la soupape.
2. Régler le débit du gaz sur 30 à 40 pieds cubes par heure (14 à 18 l/min.) dans des conditions normales ; augmenter jusqu'à 40 à 50 CFH (18 à 23,5 l/min.) dans des conditions légèrement venteuses.
3. Maintenir la soupape du cylindre fermée, sauf pendant l'utilisation de la machine.

C. BRANCHEMENT DES FILS ET CÂBLES SUR LA MACHINE

(Voir la figure B.14)

1. Ouvrir la porte latérale de la console.
2. Faire glisser l'extrémité du connecteur du pistolet et du câble au travers de l'orifice sur le devant de la machine et à l'intérieur du coussinet du connecteur du pistolet sur l'entraîneur de fil.
3. S'assurer que l'extrémité du connecteur du pistolet se trouve complètement à l'intérieur de l'entraîneur de fil puis serrer la vis de pression afin de fixer le connecteur du pistolet.
4. Brancher le connecteur du fil de la gâchette du pistolet sur le réceptacle à 4 goupilles de la gâchette du pistolet sur le devant de la machine.
5. Polarité de l'Entraîneur de Fil. Le soudage MIG s'effectue avec la polarité positive (+). Brancher le câble de puissance court de l'entraîneur de fil sur la terminale de sortie positive (+) puis serrer la vis de pression.
6. Connexion du Fil de Travail. Faire glisser l'extrémité à ergot du câble de travail au travers de l'orifice sur le devant de la machine et le placer sur la terminale de sortie négative (-) puis serrer la vis de pression.

FIGURE B.14

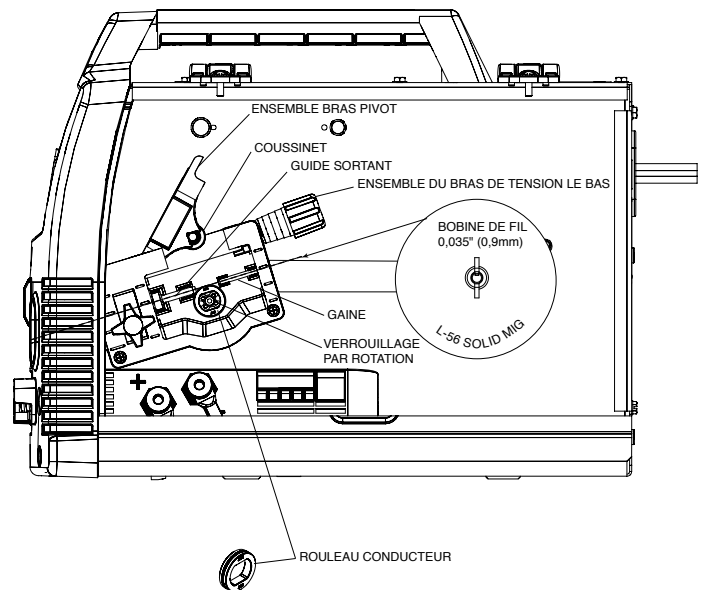


D. CHARGEMENT DE LA BOBINE DE FIL

(Voir la Figure B.15)

1. Repérer la bobine de fil solide MIG de 0,025 L-56 de 4" de diamètre portant une étiquette verte et la placer sur l'axe de bobine de fil. Orienter la bobine de telle sorte que le fil se déroule par le haut de la bobine.
2. Fixer la bobine en place en serrant l'écrou papillon contre la bague d'espacement qui maintient la bobine de fil sur l'axe.
3. Ouvrir l'ensemble du bras pivot en tournant l'ensemble du bras de tension vers le bas et soulever l'ensemble du bras pivot.
4. Retirer le rouleau conducteur en faisant tourner le verrouillage par rotation qui maintient le rouleau conducteur. Installer le rouleau conducteur moleté de 0,025-0,035.
5. Dérouler prudemment et étirer les six premiers pouces de fil à souder de la bobine. Ne pas lâcher l'extrémité du fil afin d'empêcher le fil de se dérouler.

FIGURE B.15



(Voir la Figure B.16)

6. Alimenter le fil au travers de la gaine interne, sur la rainure du rouleau conducteur, au travers du guide sortant et de la sortie de l'entraîneur de fil sur le côté du pistolet.
7. Fermer l'Ensemble du Bras Pivot et le serrer en refaisant tourner l'Ensemble du Bras de Tension vers le haut.

(Voir la Figure B.17)

12. Retirer le bec du pistolet et de la pointe de contact et étendre le pistolet bien à plat.
13. Allumer la puissance de la machine et appuyer sur la gâchette du pistolet pour alimenter le fil au travers de la gaine du pistolet jusqu'à ce que plusieurs pouces de fil sortent par l'extrémité filetée du pistolet. (Voir la Figure B.18).
14. Lorsque la gâchette est relâchée, la bobine de fil ne doit pas se dérouler. Régler le frein de la bobine de fil en fonction des besoins.

⚠ AVERTISSEMENT



LES PIÈCES MOBILES ET LES CONTACTS ÉLECTRIQUES PEUVENT PROVOQUER DES BLESSURES OU MÊME LA MORT.

- Lorsqu'on appuie sur la gâchette, les rouleaux conducteurs, la bobine de fil et l'électrode se trouvent SOUS ALIMENTATION ÉLECTRIQUE.



- Se tenir éloigné des pièces mobiles et des leviers.
- Maintenir toutes les Portes, Couverts, Panneaux et Protections bien en place.

NE PAS RETIRER NI DISSIMULER LES ÉTIQUETTES D'AVERTISSEMENT

15. Installer la pointe de contact de 0,025.
16. Installer le bec de soudage MIG à gaz en laiton sur le pistolet.
17. Régler le dépassement du fil à 3/8" de la pointe de contact. (Voir la Figure B.19).
18. Fermer la porte latérale de la console. La machine est alors prête à souder.
19. Lire le manuel « Apprenez à Souder » (LTW1) qui est inclus avec la machine ou bien regarder le DVD « Comment Souder » qui est également inclus avec la machine.
20. En fonction de l'épaisseur du matériau à souder et du type et diamètre du fil à souder, régler la tension et la vitesse d'alimentation du fil conformément à l'étiquette autocollante de procédure qui se trouve sur la face intérieure de la porte du compartiment de l'entraîneur de fil.

FIGURE B.16

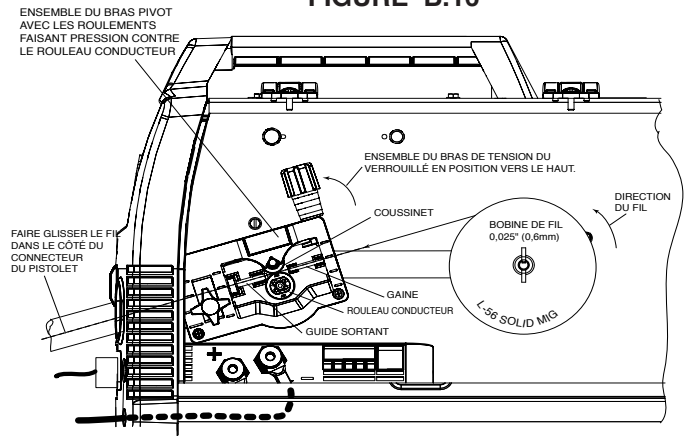


FIGURE B.17

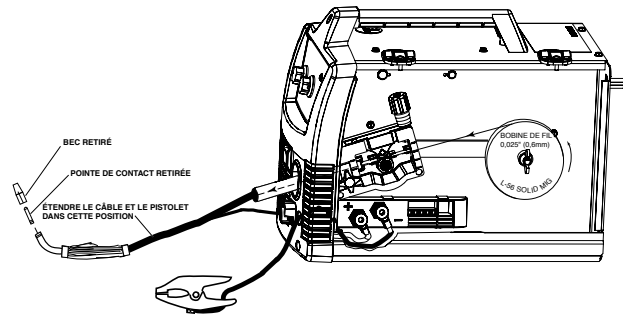


FIGURE B.18

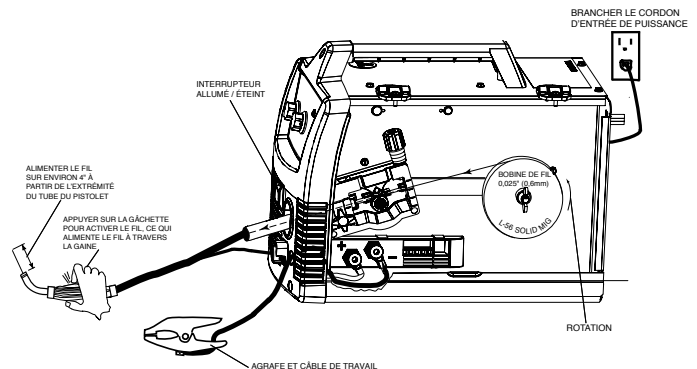
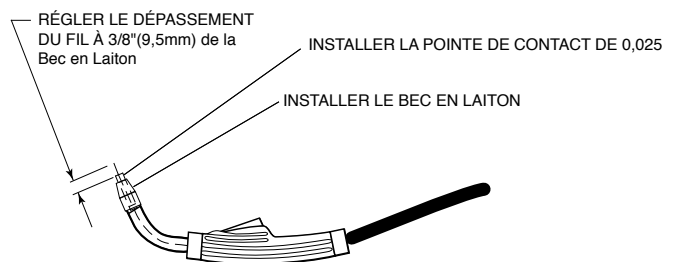


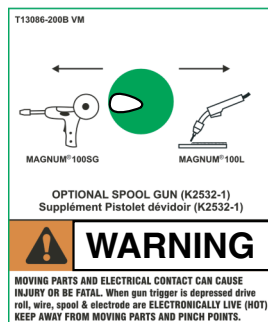
FIGURE B.19



PRÉPARATION ET RÉALISATION D'UNE SOUDURE EN ALUMINIUM AU MOYEN D'UN PISTOLET À BOBINE

1. Suivre les étapes du soudage MIG dans la section précédente.
2. Brancher une bouteille de gaz de protection 100% Argon conformément à la section précédente.
3. Débrancher le Pistolet Magnum 100L.
4. Installer le pistolet à bobine Magnum 100SG K2532-1 en option conformément aux instructions comprises avec le pistolet.
5. Régler le commutateur de sélection de Pistolet sur la position Pistolet à Bobine. (Voir la Figure B.20).

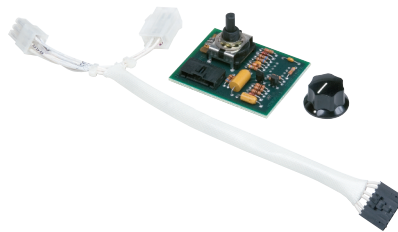
FIGURE B.20



6. Allumer la machine puis effectuer la soudure conformément aux réglages recommandés sur l'Étiquette Autocollante de Procédure se trouvant sur la face intérieure de la porte de la machine.

K2525-1 – Kit Minuterie pour soudage par Points

Le kit de Minuterie, lorsqu'il est allumé, permet d'établir un temps de soudage fixe de sorte que, lorsqu'on tire sur la gâchette, la machine soude pendant une période fixe de 10 secondes maximum. Idéal pour effectuer des soudures par points régulières lorsqu'on soude sur une tôle fine.

**K2528-1 – Kit Innershield 0,045 (Pour modèles de 230V)**

Comprend tout le nécessaire pour souder avec du fil Innershield de 0,045 de diamètre. Comprend une gaine de 0,035/0,045 pour pistolet Magnum™ 100L, une Pointe de Contact de 0,045, un bec pour usage sans gaz, un rouleau conducteur moleté, un guide-fil interne de 0,045 et une bobine de 10 lb. (4,5 kg) de fil Innershield® NR®-212.

**K2532-1 – Pistolet à Bobine Magnum 100SG**

Conçu pour alimenter facilement des petites bobines (1 lb.) de 4" de diamètre de fil en aluminium de 0,030 ou 0,035. Comprend un pistolet, un kit adaptateur, trois pointes de contact supplémentaires de 0,035, un bec de gaz et une bobine Superglaze 4043 de fil à souder de 0,035" de diamètre. Emballé dans un étui portable et pratique.

**K2377-1 – Petite Protection en Toile**

Protège la machine lorsqu'elle n'est pas en service. Faite en jolie toile rouge ignifuge, résistante à la rouille et hermétique. Contient une poche latérale pratique pour y ranger le pistolet à souder.



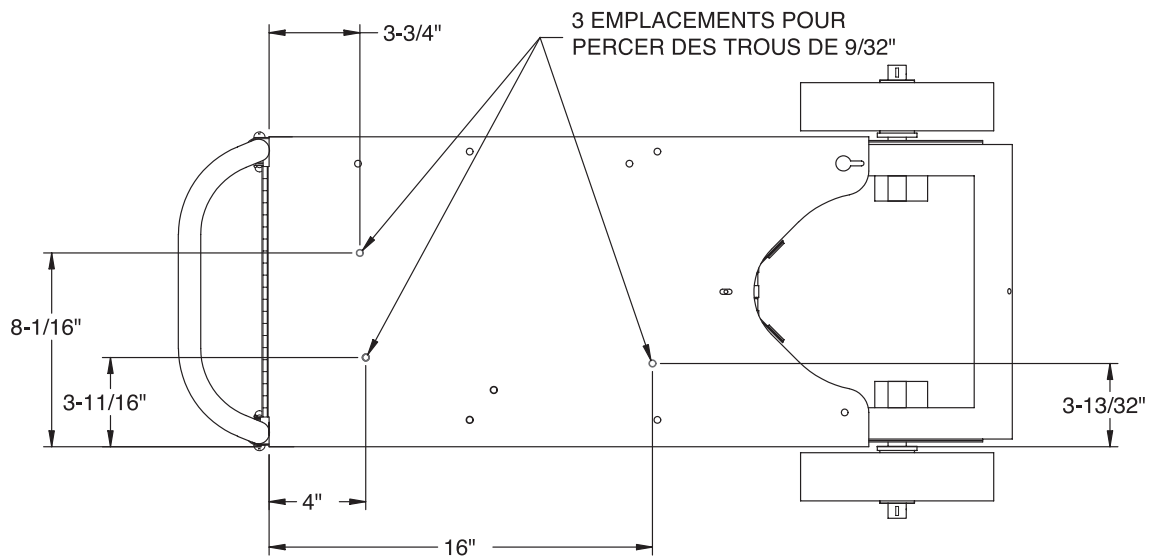
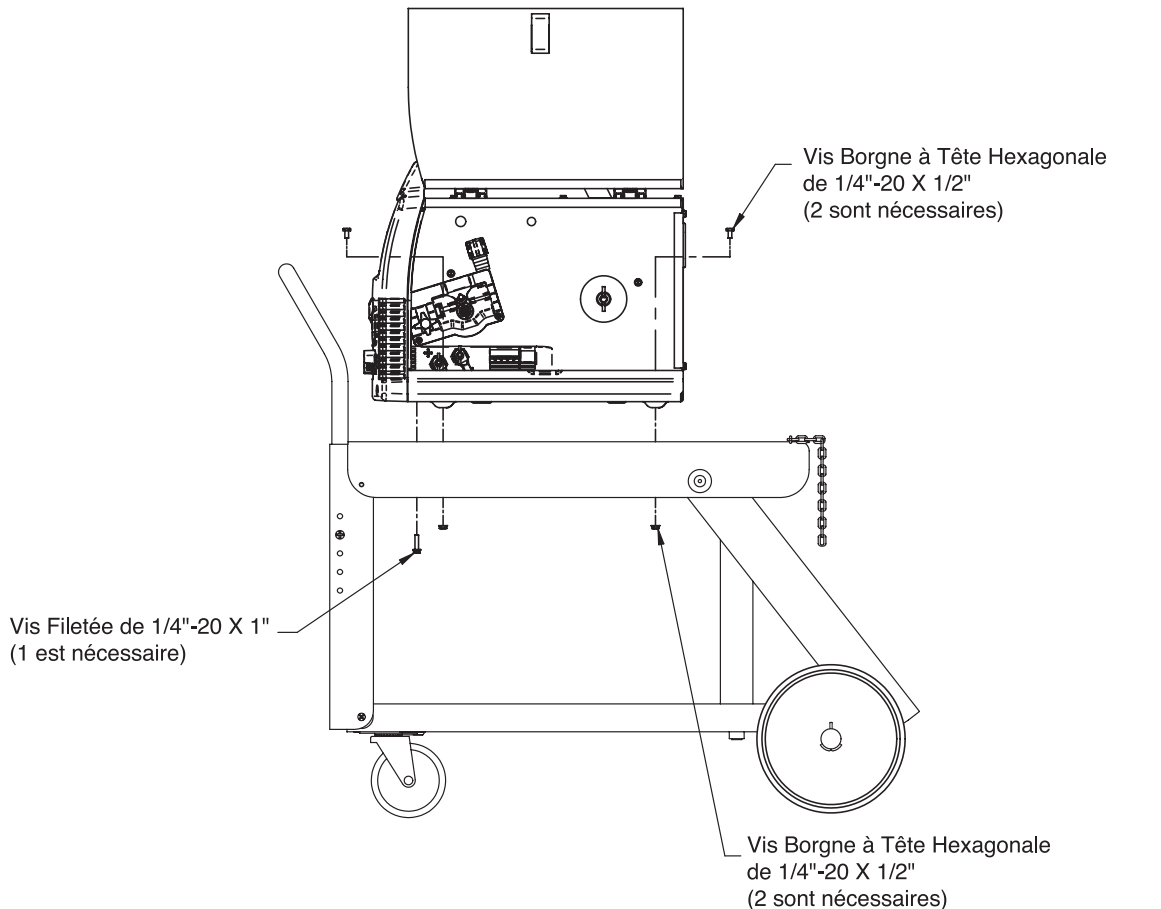
Pour les pièces facultatives et diverses additionnelles (voir les pages de pièces)

K520 – Chariot à Usages Multiples

Chariot hautement résistant pour ranger et transporter la soudeuse, un cylindre de gaz de protection de 150 pieds cubes, les câbles de soudage et les accessoires. Comprend des plateformes stables pour la soudeuse et la bouteille de gaz, un plateau inférieur pour une plus grande capacité de rangement et une poignée à hauteur réglable.



Pour le montage de soudeuses sur des chariots K520 n'ayant pas d'orifices de montage rainurés. Percer des trous de 9/32" (3 emplacements) dans le haut du chariot tel que sur l'illustration et fixer la soudeuse au chariot avec la visserie appropriée illustrée.



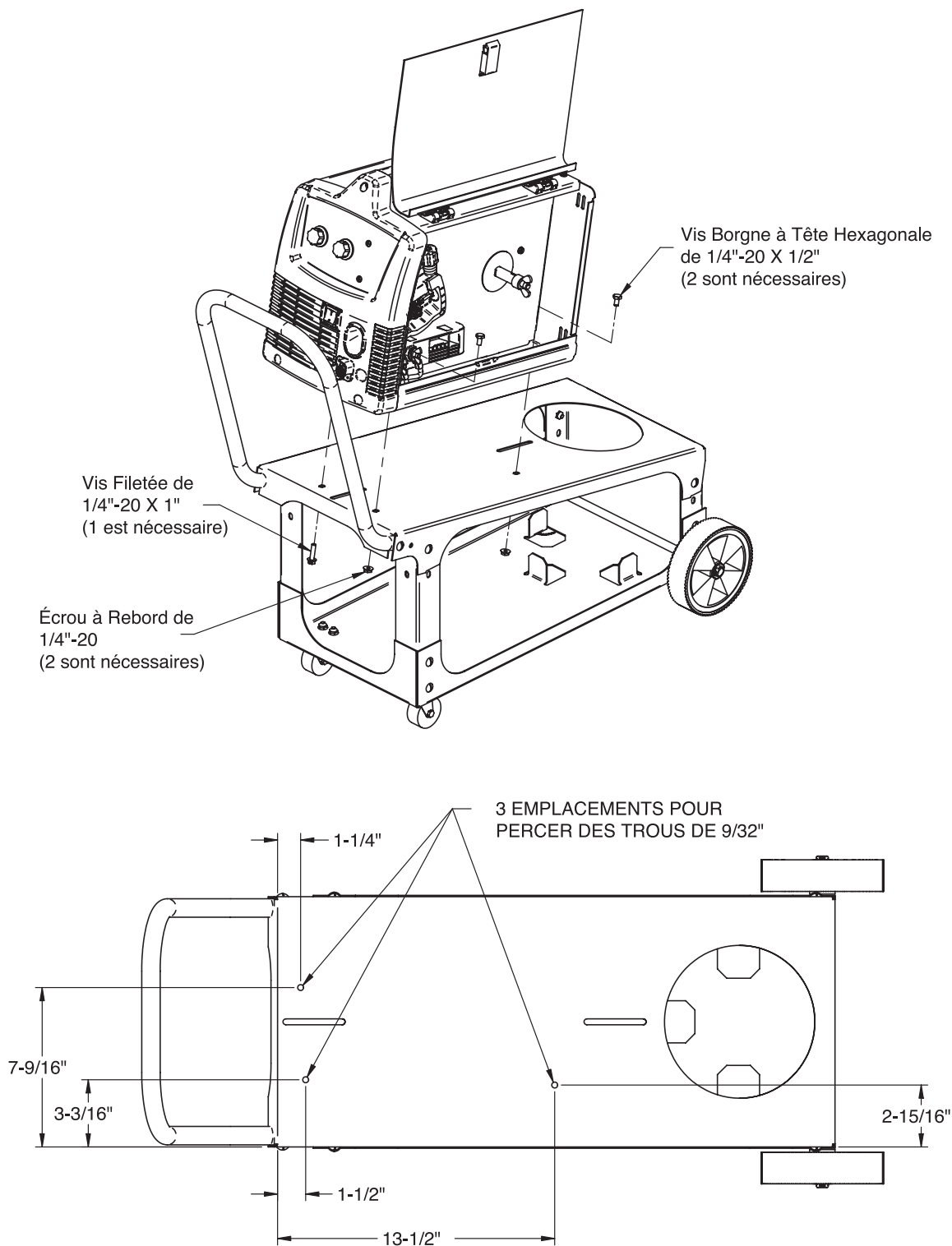
SOUDEUSE CHARGEUR DE FIL (MODÈLES 125, 140, 180)

K2275-1 – Chariot de Soudage

Chariot léger pour ranger et transporter la soudeuse, un cylindre de gaz de protection de 80 pieds cubes, les câbles de soudage et les accessoires. Comprend une étagère supérieure inclinée permettant un accès facile aux contrôles, un plateau inférieur pour une plus grande capacité de rangement, une poignée fixe robuste et un crochet pratique pour y enrouler le câble.



Pour le montage de soudeuses sur des chariots K2275-1 n'ayant pas d'orifices de montage rainurés. Percer des trous de 9/32" (3 emplacements) dans le haut du chariot tel que sur l'illustration et fixer la soudeuse au chariot avec la visserie appropriée illustrée.



SOUDEUSE CHARGEUR DE FIL (MODÈLES 125, 140, 180)

LINCOLN
ELECTRIC

ENTRETIEN

MESURES DE SÉCURITÉ

AVERTISSEMENT

LES CHOCS ÉLECTRIQUES peuvent être mortels.



- Débrancher la puissance d'entrée en retirant la prise du réceptacle avant de travailler à l'intérieur de SOUDEUSE CHARGEUR DE FIL (MODÈLES 125, 140, 180). N'utiliser que le réceptacle raccordé à terre. Ne pas toucher les pièces sous alimentation électrique à l'intérieur de SOUDEUSE CHARGEUR DE FIL (MODÈLES 125, 140, 180).
- Faire réaliser le travail d'entretien et de dépannage par le personnel qualifié.

ENTRETIEN DE ROUTINE

COMPARTIMENT DE LA SOURCE DE PUISSANCE

Aucun outil d'entretien de l'utilisateur à l'intérieur ! Ne pas essayer de réaliser d'entretien du côté source de puissance (fixe) de SOUDEUSE CHARGEUR DE FIL (MODÈLES 125, 140, 180). Emmener l'unité dans un Centre de Service Lincoln autorisé si des problèmes se présentent. AUCUN entretien n'est nécessaire.

Dans des endroits extrêmement poussiéreux, la saleté peut boucher les passages d'air, ce qui chaufferait la soudeuse en provoquant un déclenchement prématuré de la protection thermique. Dans ce cas, retirer la saleté de la soudeuse en y soufflant de l'air à faible pression à des intervalles réguliers afin d'éliminer la saleté excessive et l'accumulation de poussière dans les parties internes.

COMPARTIMENT D'ALIMENTATION DU FIL

1. Lorsque cela est nécessaire, aspirer la saleté accumulée dans la boîte d'engrenages et la section d'alimentation du fil.
2. Inspecter de façon occasionnelle le tube du guide entrant et nettoyer l'intérieur si besoin est.
3. Le moteur et la boîte d'engrenages possèdent une lubrification à vie et n'ont besoin d'aucun entretien.

MOTEUR DU VENTILATEUR

Possède une lubrification à vie et n'a besoin d'aucun entretien.

AXE DU DÉVIDOIR DE FIL

N'a besoin d'aucun entretien. **Ne pas** lubrifier l'arbre.

ENTRETIEN DU PISTOLET ET DU CÂBLE

POUR PISTOLET MAGNUM™ 100L

Nettoyage du Câble du Pistolet

Nettoyer la gaine du câble après avoir utilisé environ 300 lbs (136 kg) de fil solide ou 50 lbs (23 kg) de fil fourré. Retirer le câble du chargeur de fil et l'étaler bien droit sur le sol. Retirer la pointe de contact du pistolet. Avec de l'air à faible pression, souffler doucement sur la gaine du câble depuis l'extrémité du diffuseur de gaz.

ATTENTION

Une pression excessive au début peut provoquer la formation d'un bouchon de saleté.

Plier le câble sur toute sa longueur puis y souffler à nouveau de l'air. Répéter cette procédure jusqu'à ce qu'il ne sorte plus de saleté.

Pointes de Contact, Becs et Tubes de Pistolet

1. La saleté peut s'accumuler dans l'orifice de la pointe de contact et restreindre l'alimentation du fil. Après l'utilisation de chaque bobine de fil, retirer la pointe de contact et la nettoyer en poussant à plusieurs reprises un petit morceau de fil à travers la pointe. Utiliser le fil en tant qu'aloisoir pour retirer la saleté qui pourrait s'être adhéree à la paroi de l'orifice à travers la pointe.
2. Changer les pointes de contact usées lorsque cela est nécessaire. Un arc variable ou « chassant » est un symptôme typique de pointe de contact usée. Pour installer une nouvelle pointe, choisir une pointe de contact de la taille correcte pour l'électrode utilisée (la taille du fil est gravée sur le côté de la pointe de contact) et bien la visser dans le diffuseur de gaz.
3. Retirer les éclaboussures de l'intérieur du bec de gaz et de la pointe toutes les 10 minutes de temps d'arc ou selon les besoins.
4. S'assurer que le bec de gaz soit complètement vissé sur le diffuseur pour les procédés protégés par le gaz. Pour le procédé Innershield®, le bec pour usage sans gaz doit se visser sur le diffuseur.
5. Pour retirer le tube du pistolet, retirer le bec de gaz ou le bec pour usage sans gaz puis retirer le diffuseur du tube du pistolet. Retirer les deux colliers de chaque extrémité de la poignée du pistolet et séparer les moitiés de la poignée. Desserrer l'écrou de verrouillage qui maintient le tube en place contre le connecteur du câble final du pistolet. Dévisser le tube du pistolet du connecteur du câble. Pour installer le tube du pistolet, visser l'écrou de verrouillage sur le tube du pistolet aussi loin que possible. Ensuite visser le tube du pistolet dans le connecteur du câble jusqu'à ce qu'il touche le bas. Puis dévisser (pas plus d'un tour) le tube du pistolet jusqu'à ce que son axe soit perpendiculaire aux côtés plats du connecteur du

câble et pointe dans la direction de la gâchette. Serrer l'écrou de verrouillage de sorte à maintenir le rapport approprié entre le tube du pistolet et le connecteur du câble. Remettre en place la poignée du pistolet, la gâchette et le diffuseur. Remettre en place le bec de gaz ou le bec pour usage sans gaz.

PROTECTION CONTRE LES SURCHARGES

Surcharge de Sortie

SOUDEUSE CHARGEUR DE FIL (MODÈLES 125, 140, 180) est équipée d'un disjoncteur et d'un thermostat qui protègent la machine contre d'éventuels dommages si la sortie maximum est dépassée. Le bouton du disjoncteur sortira lorsqu'il aura sauté. Le disjoncteur doit être rétabli à la main.

Protection Thermique

SOUDEUSE CHARGEUR DE FIL (MODÈLES 125, 140, 180) possède un facteur de marche à régime de sortie conformément à la description de la page des Spécifications Techniques. Si le facteur de marche est dépassé, un protecteur thermique fermera la sortie jusqu'à ce que la machine refroidisse à une température de fonctionnement raisonnable. Il s'agit là d'une fonction automatique de **SOUDEUSE CHARGEUR DE FIL (MODÈLES 125, 140, 180)** et elle ne requiert pas de l'intervention de l'utilisateur. Le ventilateur continue à marcher pendant le refroidissement.

Protection du Moteur de l'Entraîneur de Fil Électronique SOUDEUSE CHARGEUR DE FIL (MODÈLES 125, 140, 180) possède une protection intégrée contre la surcharge du moteur de l'entraîneur de fil.

CHANGEMENT DE LA GAINÉ

AVERTISSEMENT: La variation des longueurs de câble empêche l'interchangeabilité des gainés. Une fois qu'une gaine a été coupée pour un pistolet particulier, elle ne doit pas être installée sur un autre pistolet à moins qu'elle ne corresponde aux exigences de longueur de coupe de la gaine. Se reporter à la Figure D.2.

1. Retirer le bec de gaz du pistolet en dévissant dans le sens contraire à celui des aiguilles d'une montre.
2. Retirer la pointe de contact présente du pistolet en dévissant dans le sens contraire à celui des aiguilles d'une montre.
3. Retirer le diffuseur de gaz du tube du pistolet en dévissant dans le sens contraire à celui des aiguilles d'une montre.
4. Étendre le pistolet et le câble bien droits sur une surface plate. Desserrer la vis de fixation qui se trouve dans le connecteur en laiton sur l'extrémité du câble côté chargeur de fil. Tirer sur la gaine pour la sortir du câble.
5. Insérer une nouvelle gaine non ébarbée dans l'extrémité du câble côté connecteur. Vérifier que le coussinet de la gaine porte bien la marque appropriée pour la taille de fil utilisée.

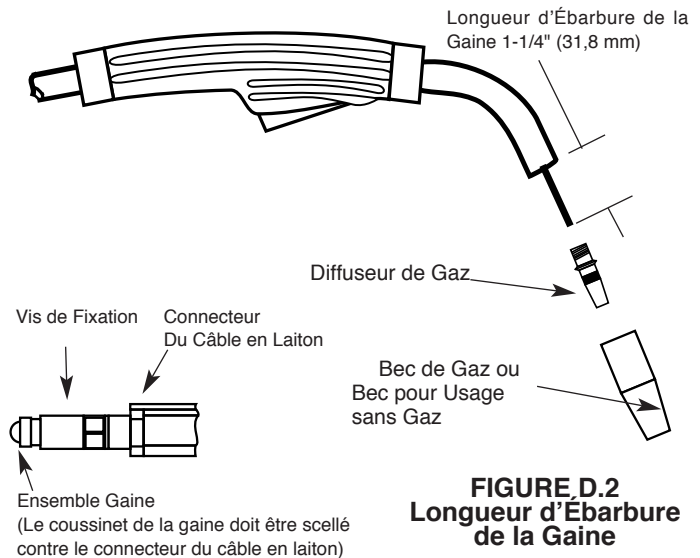


FIGURE D.2
Longueur d'Ébarbure de la Gaine

6. Insérer complètement le coussinet de la gaine dans le connecteur. Serrer la vis de pression sur le connecteur du câble en laiton. À ce moment, le diffuseur de gaz ne doit pas être installé sur l'extrémité du tube du pistolet.
7. Avec le bec de gaz et le diffuseur retirés du tube du pistolet, s'assurer que le câble soit droit, puis ébarber la gaine à la longueur illustrée sur la Figure D.2. Retirer toute ébarbure de l'extrémité de la gaine..
8. Visser le diffuseur de gaz sur l'extrémité du tube du pistolet et bien serrer.
9. Remettre en place la pointe de contact et le bec.

PIÈCES DE LA POIGNÉE DU PISTOLET

La poignée du pistolet consiste en deux moitiés qui sont maintenues ensemble au moyen d'un collier à chaque extrémité. Pour ouvrir la poignée, tourner les colliers sur environ 60 degrés dans le sens contraire à celui des aiguilles d'une montre jusqu'à ce que le collier bute. Puis tirer sur le collier pour le retirer de la poignée du pistolet. Si les colliers sont difficiles à tourner, positionner la poignée du pistolet contre un coin, placer un tournevis contre l'onglet du collier et donner au tournevis un coup aigu pour faire tourner le collier au-delà d'une cannelure interne de blocage. Voir la Figure D.3

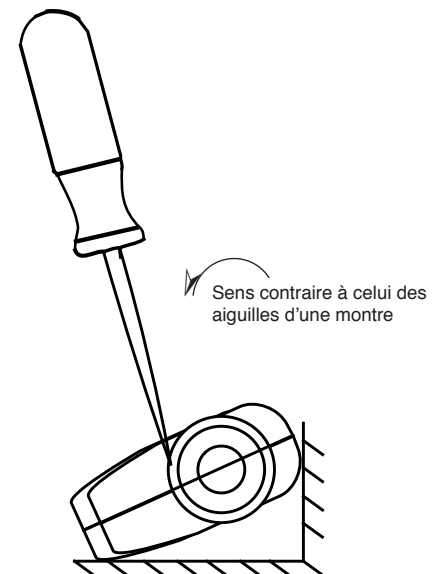


FIGURE D.3

COMMENT UTILISER LE GUIDE DE DÉPANNAGE

AVERTISSEMENT

L'entretien et les réparations ne doivent être effectués que par le personnel de Lincoln Electric ayant reçu une formation en usine. Les réparations non autorisées effectuées sur ce matériel peuvent entraîner un danger pour le technicien et l'opérateur de la machine et annulent la garantie d'usine. Par mesure de sécurité et pour éviter un choc électrique, veuillez observer toutes les notes de sécurité et les mises en garde données en détail dans ce manuel.

Ce guide de dépannage a pour but de vous aider à localiser les problèmes éventuels d'installation et de fonctionnement de la machine et à y remédier. Suivre simplement la méthode en trois étapes donnée ci-après.

Étape 1. LOCALISER LE PROBLÈM (SYMPTÔME).

Regarder dans la colonne intitulée « PROBLÈMES (SYMPTÔMES) ». Cette colonne décrit les symptômes que la machine peut présenter. Chercher l'énoncé qui décrit le mieux le symptôme présenté par la machine.

Étape 2. CAUSE POSSIBLE.

La deuxième colonne, intitulée « CAUSE POSSIBLE », énonce les possibilités externes évidentes qui peuvent contribuer au symptôme présenté par la machine.

Étape 3. ACTION RECOMMANDÉE.

Cette colonne suggère une action recommandée pour une Cause Possible ; en général elle spécifie de contacter le concessionnaire autorisé de Service sur le Terrain Lincoln Electric le plus proche.

Si vous ne comprenez pas ou si vous n'êtes pas en mesure de réaliser les Actions Recommandées de façon sûre, contactez le Service sur le Terrain Lincoln autorisé le plus proche..

ATTENTION

Si pour une raison ou une autre vous ne comprenez pas les modes opératoires d'essai ou êtes incapable d'effectuer les essais ou les réparations en toute sécurité, communiquez avant de poursuivre avec votre service après-vente local agréé Lincoln qui vous prêtera assistance.

Suivre les Instructions de Sécurité détaillées au début de ce manuel

PROBLÈMES (SYMPTÔMES)	CAUSE POSSIBLE	ACTION RECOMMANDÉE
PROBLÈMES DE SORTIE		
Un dommage physique ou électrique majeur est évident.	« Ne pas brancher la machine ni l'allumer ». Contacter le concessionnaire autorisé de Service sur le Terrain le plus proche.	Si toutes les zones de dérèglement possibles recommandées ont été révisées et le problème persiste, contacter le concessionnaire autorisé de Service sur le Terrain Lincoln Electric le plus proche.
Pas d'alimentation du fil, de sortie de soudage ou de débit de gaz lorsqu'on appuie sur la gâchette. Le ventilateur ne fonctionne PAS.	<ol style="list-style-type: none"> Vérifier que la tension correcte soit appliquée à la machine. Vérifier que l'interrupteur de puissance se trouve sur la position « ALLUMÉ » (« ON »). S'assurer que le disjoncteur soit rétabli. 	
Pas d'alimentation du fil, de sortie de soudage ou de débit de gaz lorsqu'on appuie sur la gâchette. Le ventilateur fonctionne normalement.	<ol style="list-style-type: none"> Le thermostat est peut-être déclenché du fait d'une surchauffe. Laisser la machine refroidir. Souder à un facteur de marche inférieur. Vérifier qu'il n'y ait pas d'obstruction dans le passage de l'air. Vérifier les connexions de la gâchette du pistolet. Voir la section d'Installation. La gâchette du pistolet est peut-être défectueuse. 	

PROBLÈMES (SYMPTÔMES)	CAUSE POSSIBLE	ACTION RECOMMANDÉE
PROBLÈMES D'ALIMENTATION		
Pas d'alimentation du fil lorsqu'on appuie sur la gâchette. Le ventilateur marche, le gaz circule et la machine a une tension de circuit ouvert correcte (33V) – sortie de soudage..	<ol style="list-style-type: none"> Si le moteur de l'entraîneur de fil marche, s'assurer que les rouleaux conducteurs corrects soient installés sur la machine. Vérifier que la gaine du câble et la pointe de contact ne soient pas bouchées. Vérifier que la gaine du câble et la pointe de contact soient de la bonne taille. 	Si toutes les zones de dérèglement possibles recommandées ont été révisées et le problème persiste, contacter le concessionnaire autorisé de Service sur le Terrain Lincoln Electric le plus proche.

ATTENTION

Si pour une raison quelconque vous ne comprenez pas les procédures de tests ou si vous n'êtes pas en mesure de réaliser les tests/réparations de façon sûre, avant de continuer, contactez le **Service sur le Terrain Lincoln Autorisé le plus proche** pour obtenir une assistance technique de dépannage.

SOUDEUSE CHARGEUR DE FIL (MODÈLES 125, 140, 180)



Suivre les Instructions de Sécurité détaillées au début de ce manuel

PROBLÈMES (SYMPTÔMES)	CAUSE POSSIBLE	ACTION RECOMMANDÉE
PROBLÈMES DE DÉBIT DE GAZ		
Peu ou pas de débit de gaz lorsqu'on tire sur la gâchette. L'alimentation du fil, la sortie de soudage et le ventilateur fonctionnent normalement.	<ol style="list-style-type: none"> Vérifier l'alimentation du gaz, le régulateur de flux et les tuyaux à gaz. Vérifier que la connexion du pistolet sur la machine ne présente pas d'obstruction ou de fuites au niveau des joints. 	Si toutes les zones de dérèglement possibles recommandées ont été révisées et le problème persiste, contacter le concessionnaire autorisé de Service sur le Terrain Lincoln Electric le plus proche.

PROBLÈMES (SYMPTÔMES)	CAUSE POSSIBLE	ACTION RECOMMANDÉE
PROBLÈMES DE SOUDAGE		
L'arc est instable – démarrage faible.	<ol style="list-style-type: none"> Vérifier que la tension d'entrée de la machine soit correcte. Vérifier que la polarité de l'électrode soit appropriée pour le procédé. Vérifier que la pointe du pistolet ne soit pas usée ou endommagée et qu'elle soit de la bonne taille – La changer. Vérifier que le flux et le débit de gaz soit appropriés pour le procédé. (Uniquement pour MIG). Vérifier que le câble de travail ne présente pas de connexions desserrées ou défectueuses. Vérifier que le pistolet ne présente pas de dommages ou de fissures. Vérifier que l'orientation et l'alignement des rouleaux conducteurs soient appropriés. Vérifier que la gaine soit de la bonne taille. 	Si toutes les zones de dérèglement possibles recommandées ont été révisées et le problème persiste, contacter le concessionnaire autorisé de Service sur le Terrain Lincoln Electric le plus proche.

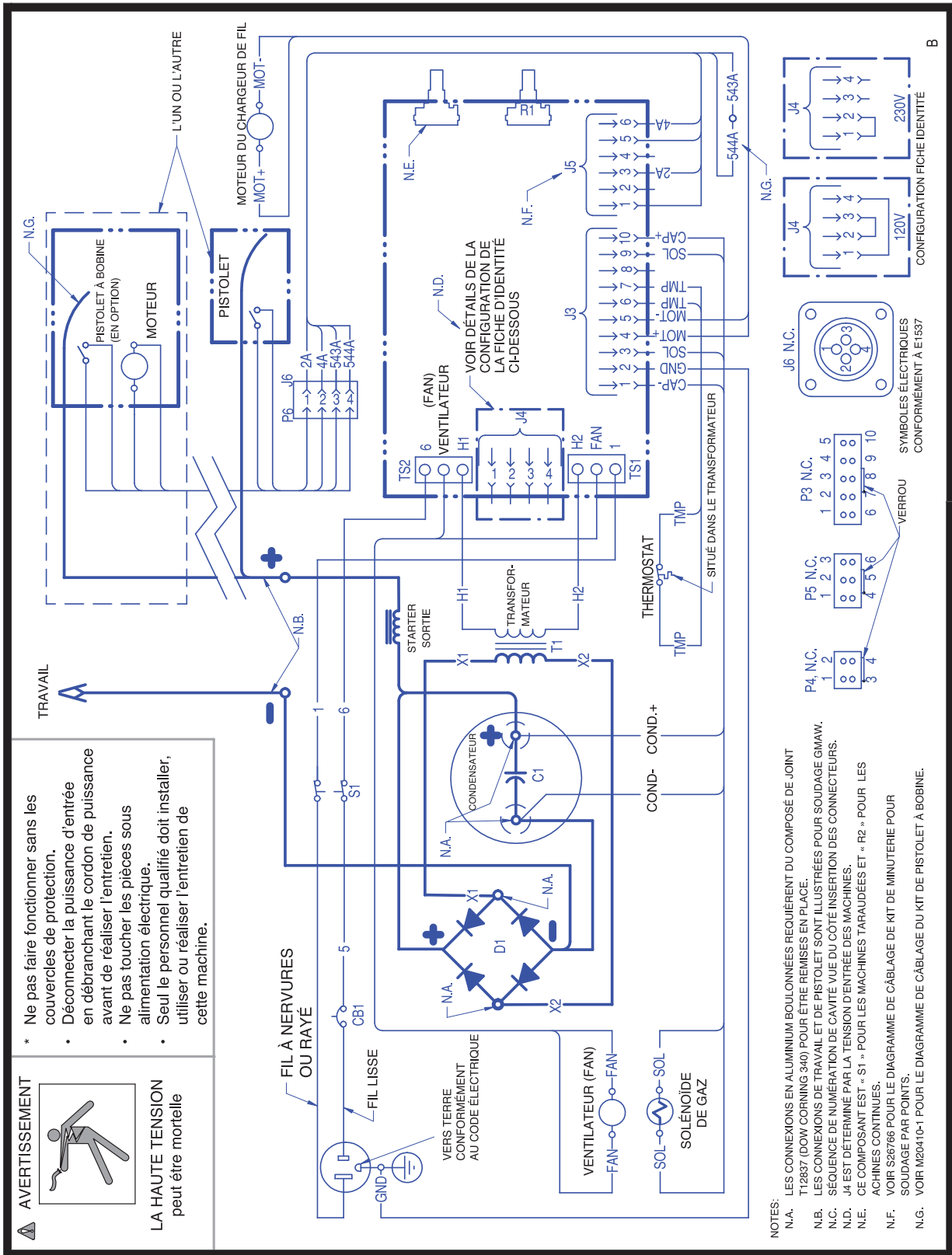
ATTENTION

Si pour une raison quelconque vous ne comprenez pas les procédures de tests ou si vous n'êtes pas en mesure de réaliser les tests/réparations de façon sûre, avant de continuer, contactez le **Service sur le Terrain Lincoln Autorisé le plus proche** pour obtenir une assistance technique de dépannage.

SOUDEUSE CHARGEUR DE FIL (MODÈLES 125, 140, 180)



DIAGRAMME DE CÂBLAGE

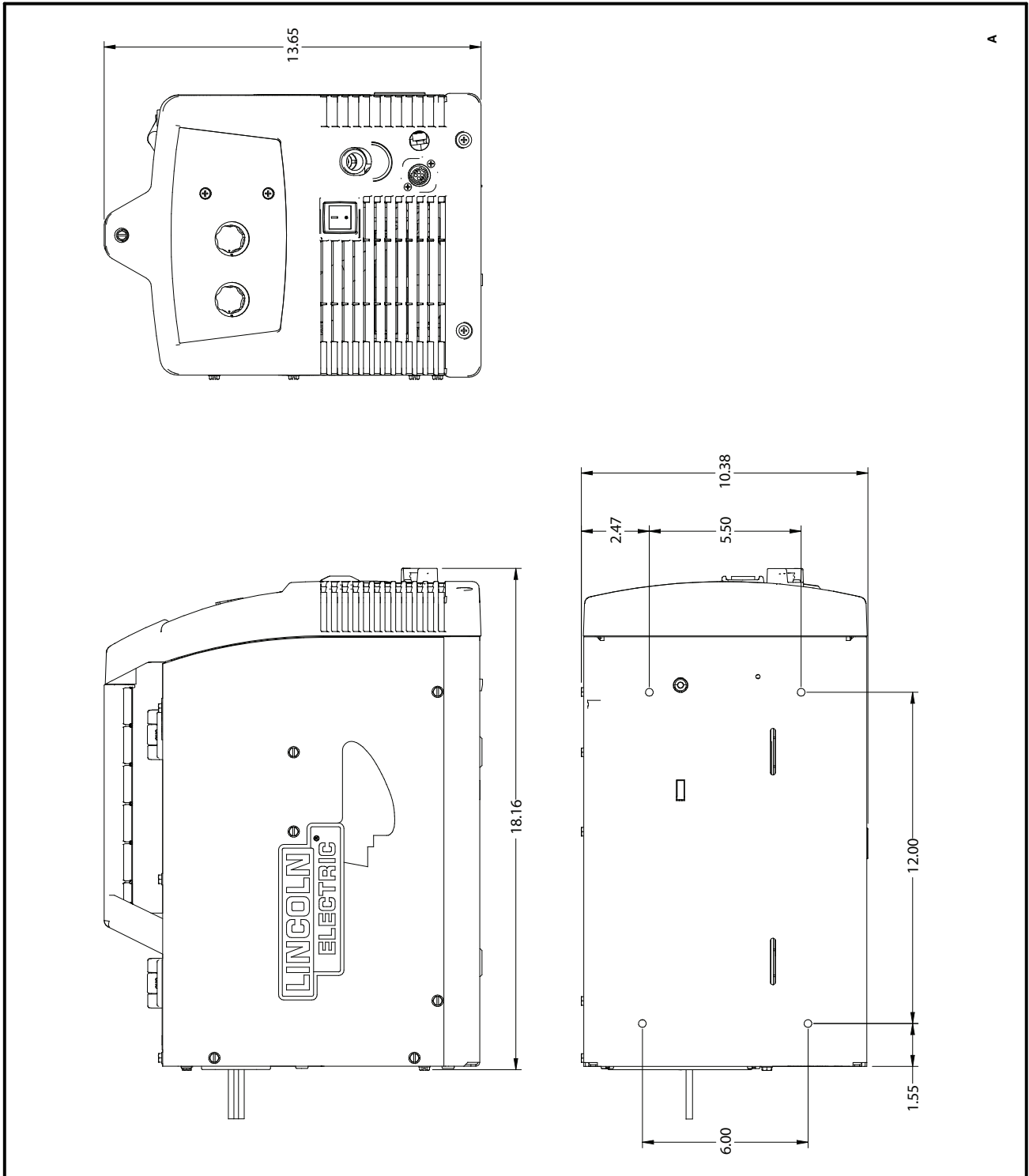


M20410

NOTE: Ce diagramme a valeur de référence uniquement. Il peut ne pas être exact pour toutes les machines couvertes par ce manuel. Le diagramme spécifique pour un code particulier est collé à l'intérieur de la machine sur l'un des panneaux de la console.

SOUDEUSE CHARGEUR DE FIL (MODÈLES 125, 140, 180)





SOUDEUSE CHARGEUR DE FIL (MODÈLES 125, 140, 180)



NOTES

WIRE FEEDER WELDERS (125, 140, 180 MODELS)



NOTES

WIRE FEEDER WELDERS (125, 140, 180 MODELS)



NOTES

WIRE FEEDER WELDERS (125, 140, 180 MODELS)



WARNING	<ul style="list-style-type: none"> Do not touch electrically live parts or electrode with skin or wet clothing. Insulate yourself from work and ground. 	<ul style="list-style-type: none"> Keep flammable materials away. 	<ul style="list-style-type: none"> Wear eye, ear and body protection.
Spanish AVISO DE PRECAUCION	<ul style="list-style-type: none"> No toque las partes o los electrodos bajo carga con la piel o ropa mojada. Aíslese del trabajo y de la tierra. 	<ul style="list-style-type: none"> Mantenga el material combustible fuera del área de trabajo. 	<ul style="list-style-type: none"> Protéjase los ojos, los oídos y el cuerpo.
French ATTENTION	<ul style="list-style-type: none"> Ne laissez ni la peau ni des vêtements mouillés entrer en contact avec des pièces sous tension. Isolez-vous du travail et de la terre. 	<ul style="list-style-type: none"> Gardez à l'écart de tout matériel inflammable. 	<ul style="list-style-type: none"> Protégez vos yeux, vos oreilles et votre corps.
German WARNUNG	<ul style="list-style-type: none"> Berühren Sie keine stromführenden Teile oder Elektroden mit Ihrem Körper oder feuchter Kleidung! Isolieren Sie sich von den Elektroden und dem Erdboden! 	<ul style="list-style-type: none"> Entfernen Sie brennbares Material! 	<ul style="list-style-type: none"> Tragen Sie Augen-, Ohren- und Körperschutz!
Portuguese ATENÇÃO	<ul style="list-style-type: none"> Não toque partes elétricas e electrodos com a pele ou roupa molhada. Isole-se da peça e terra. 	<ul style="list-style-type: none"> Mantenha inflamáveis bem guardados. 	<ul style="list-style-type: none"> Use proteção para a vista, ouvido e corpo.
Japanese 注意事項	<ul style="list-style-type: none"> ● 通電中の電気部品、又は溶材にヒフやぬれた布で触れないこと。 ● 施工物やアースから身体が絶縁されている様にして下さい。 	<ul style="list-style-type: none"> ● 燃えやすいものの側での溶接作業は絶対にしてはなりません。 	<ul style="list-style-type: none"> ● 目、耳及び身体に保護具をして下さい。
Chinese 警告	<ul style="list-style-type: none"> ● 皮肤或湿衣物切勿接触带电部件及焊条。 ● 使你自已与地面和工件绝缘。 	<ul style="list-style-type: none"> ● 把一切易燃物品移离工作场所。 	<ul style="list-style-type: none"> ● 佩戴眼、耳及身体劳动保护用具。
Korean 위험	<ul style="list-style-type: none"> ● 전도체나 용접봉을 젖은 헝겍 또는 피부로 절대 접촉치 마십시오. ● 모재와 접지를 접촉치 마십시오. 	<ul style="list-style-type: none"> ● 인화성 물질을 접근시키지 마십시오. 	<ul style="list-style-type: none"> ● 눈, 귀와 몸에 보호장구를 착용하십시오.
Arabic تحذير	<ul style="list-style-type: none"> ● لا تلمس الاجزاء التي يسري فيها التيار الكهربائي أو الألكترود بجلد الجسم أو بالملايس المبللة بالماء. ● وضع عازلا على جسمك خلال العمل. 	<ul style="list-style-type: none"> ● ضع المواد القابلة للاشتعال في مكان بعيد. 	<ul style="list-style-type: none"> ● ضع أدوات وملابس واقية على عينيك وأذنيك وجسمك.

READ AND UNDERSTAND THE MANUFACTURER'S INSTRUCTION FOR THIS EQUIPMENT AND THE CONSUMABLES TO BE USED AND FOLLOW YOUR EMPLOYER'S SAFETY PRACTICES.

SE RECOMIENDA LEER Y ENTENDER LAS INSTRUCCIONES DEL FABRICANTE PARA EL USO DE ESTE EQUIPO Y LOS CONSUMIBLES QUE VA A UTILIZAR, SIGA LAS MEDIDAS DE SEGURIDAD DE SU SUPERVISOR.

LISEZ ET COMPRENEZ LES INSTRUCTIONS DU FABRICANT EN CE QUI REGARDE CET EQUIPMENT ET LES PRODUITS A ETRE EMPLOYES ET SUIVEZ LES PROCEDURES DE SECURITE DE VOTRE EMPLOYEUR.

LESEN SIE UND BEFOLGEN SIE DIE BETRIEBSANLEITUNG DER ANLAGE UND DEN ELEKTRODENEINSATZ DES HERSTELLERS. DIE UNFALLVERHÜTUNGSVORSCHRIFTEN DES ARBEITGEBERS SIND EBENFALLS ZU BEACHTEN.

<ul style="list-style-type: none"> • Keep your head out of fumes. • Use ventilation or exhaust to remove fumes from breathing zone. 	<ul style="list-style-type: none"> • Turn power off before servicing. 	<ul style="list-style-type: none"> • Do not operate with panel open or guards off. 	WARNING
<ul style="list-style-type: none"> • Los humos fuera de la zona de respiración. • Mantenga la cabeza fuera de los humos. Utilice ventilación o aspiración para gases. 	<ul style="list-style-type: none"> • Desconectar el cable de alimentación de poder de la máquina antes de iniciar cualquier servicio. 	<ul style="list-style-type: none"> • No operar con panel abierto o guardas quitadas. 	Spanish AVISO DE PRECAUCION
<ul style="list-style-type: none"> • Gardez la tête à l'écart des fumées. • Utilisez un ventilateur ou un aspirateur pour ôter les fumées des zones de travail. 	<ul style="list-style-type: none"> • Débranchez le courant avant l'entretien. 	<ul style="list-style-type: none"> • N'opérez pas avec les panneaux ouverts ou avec les dispositifs de protection enlevés. 	French ATTENTION
<ul style="list-style-type: none"> • Vermeiden Sie das Einatmen von Schweißrauch! • Sorgen Sie für gute Be- und Entlüftung des Arbeitsplatzes! 	<ul style="list-style-type: none"> • Strom vor Wartungsarbeiten abschalten! (Netzstrom völlig öffnen; Maschine anhalten!) 	<ul style="list-style-type: none"> • Anlage nie ohne Schutzgehäuse oder Innenschutzverkleidung in Betrieb setzen! 	German WARNUNG
<ul style="list-style-type: none"> • Mantenha seu rosto da fumaça. • Use ventilação e exaustão para remover fumo da zona respiratória. 	<ul style="list-style-type: none"> • Não opere com as tampas removidas. • Desligue a corrente antes de fazer serviço. • Não toque as partes elétricas nuas. 	<ul style="list-style-type: none"> • Mantenha-se afastado das partes moventes. • Não opere com os painéis abertos ou guardas removidas. 	Portuguese ATENÇÃO
<ul style="list-style-type: none"> ● ヒュームから頭を離すようにして下さい。 ● 換気や排煙に十分留意して下さい。 	<ul style="list-style-type: none"> ● メンテナンス・サービスに取りかかる際には、まず電源スイッチを必ず切して下さい。 	<ul style="list-style-type: none"> ● パネルやカバーを取り外したまま機械操作をしないで下さい。 	Japanese 注意事項
<ul style="list-style-type: none"> ● 頭部遠離煙霧。 ● 在呼吸區使用通風或排風器除煙。 	<ul style="list-style-type: none"> ● 維修前切斷電源。 	<ul style="list-style-type: none"> ● 儀表板打開或沒有安全罩時不準作業。 	Chinese 警告
<ul style="list-style-type: none"> ● 얼굴로부터 용접가스를 멀리하십시오. ● 호흡지역으로부터 용접가스를 제거하기 위해 가스제거기나 통풍기를 사용하십시오. 	<ul style="list-style-type: none"> ● 보수전에 전원을 차단하십시오. 	<ul style="list-style-type: none"> ● 판넬이 열린 상태로 작동치 마십시오. 	Korean 위험
<ul style="list-style-type: none"> ● ابعء رأسك بعيداً عن الدخان. ● استعمل التهوية أو جهاز ضغط الدخان للخارج لكي تبعد الدخان عن المنطقة التي تتنفس فيها. 	<ul style="list-style-type: none"> ● اقطع التيار الكهربائي قبل القيام بأية صيانة. 	<ul style="list-style-type: none"> ● لا تشغيل هذا الجهاز اذا كانت الاغطية الحديدية الواقية ليست عليه. 	Arabic تحذير

LEIA E COMPREENDA AS INSTRUÇÕES DO FABRICANTE PARA ESTE EQUIPAMENTO E AS PARTES DE USO, E SIGA AS PRÁTICAS DE SEGURANÇA DO EMPREGADOR.

使う機械や溶材のメーカーの指示書をよく読み、まず理解して下さい。そして貴社の安全規定に従って下さい。

請詳細閱讀並理解製造廠提供的說明以及應該使用的銀焊材料，並請遵守貴方的有閣勞動保護規定。

이 제품에 동봉된 작업지침서를 숙지하시고 귀사의 작업자 안전수칙을 준수하시기 바랍니다.

اقرأ بتمعن وافهم تعليمات المصنع المنتج لهذه المعدات والمواد قبل استعمالها واتبع تعليمات الوقاية لصاحب العمل.

CUSTOMER ASSISTANCE POLICY

The business of The Lincoln Electric Company is manufacturing and selling high quality welding equipment, consumables, and cutting equipment. Our challenge is to meet the needs of our customers and to exceed their expectations. On occasion, purchasers may ask Lincoln Electric for advice or information about their use of our products. We respond to our customers based on the best information in our possession at that time. Lincoln Electric is not in a position to warrant or guarantee such advice, and assumes no liability, with respect to such information or advice. We expressly disclaim any warranty of any kind, including any warranty of fitness for any customer's particular purpose, with respect to such information or advice. As a matter of practical consideration, we also cannot assume any responsibility for updating or correcting any such information or advice once it has been given, nor does the provision of information or advice create, expand or alter any warranty with respect to the sale of our products.

Lincoln Electric is a responsive manufacturer, but the selection and use of specific products sold by Lincoln Electric is solely within the control of, and remains the sole responsibility of the customer. Many variables beyond the control of Lincoln Electric affect the results obtained in applying these types of fabrication methods and service requirements.

Subject to Change – This information is accurate to the best of our knowledge at the time of printing. Please refer to www.lincolnelectric.com for any updated information.



THE LINCOLN ELECTRIC COMPANY

22801 St. Clair Avenue • Cleveland, OH • 44117-1199 • U.S.A.
Phone: +1.216.481.8100 • www.lincolnelectric.com