

## USE AND CARE GUIDE

---

### KITCHEN ISLAND



Questions, problems, missing parts?  
Before returning to the store, call Customer Service.  
8 a.m. – 7 p.m., EST, Monday – Friday, 9 a.m. – 6 p.m., EST, Saturday

**1-877-527-0313**

**HOMEDEPOT.COM**

---

#### **THANK YOU**

*We appreciate the trust and confidence you have placed in StyleWell through the purchase of this kitchen island. We strive to continually create quality products designed to enhance your home. Visit us online to see our full line of products available for your home improvement needs. Thank you for choosing StyleWell!!*

# Table of Contents

Table of Contents.....	2	Tools Required .....	4
Safety Information.....	2	Hardware Included.....	4
Warranty.....	3	<b>Pre-assembly (continued) .....</b>	<b>5</b>
1 Year Warranty .....	3	Package Contents .....	5
What is Covered .....	3	<b>Assembly .....</b>	<b>6</b>
What is Not Covered .....	3		
<b>Pre-assembly.....</b>	<b>4</b>		
Planning Assembly.....	4		

# Safety Information



## DANGER

- Keep small parts away from children during assembly.
- Read and follow instructions carefully.



**NOTE:** If you are unsure about your wall type or what mounting method you should use, consult a qualified professional.



## WARNING

- Read these instructions carefully and keep in a safe place.
- **TO GUARANTEE THE SAFE USE OF THIS PRODUCT, FOLLOW THE WARNINGS, GUIDELINES AND RECOMMENDATIONS IN THIS MANUAL.**
- Adult assembly required.
- Small parts may present choking hazard prior to assembly.



## CAUTION

- Do not use power tools to assemble your furniture. Power tools may strip or damage parts/product.
- Do not overtighten connectors (screws, bolts, etc.). Overtightening can lead to product damage.
- Be sure to check all packing materials carefully for small parts that may have come loose inside the carton during shipment. If parts are missing, contact THE HOME DEPOT to obtain any missing parts.
- **DO NOT USE SUBSTITUTE PARTS.**
- This product should only be used on a flat, level surface.
- Product is designed to hold 166 pounds. Exceeding this limit may damage the product or cause injury to the user.

# Warranty

---

## **1 YEAR WARRANTY**

### **WHAT IS COVERED**

We guarantee this product to be free of manufacturing defects to the original purchaser for one year.

### **WHAT IS NOT COVERED**

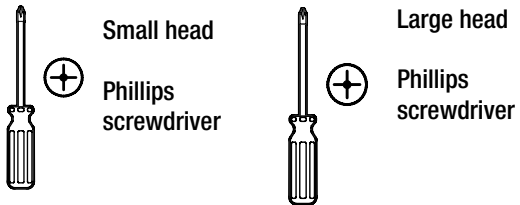
This warranty does not cover commercial use, acts of nature, and abusive use.

# Pre-assembly

## PLANNING ASSEMBLY

Keep children and pets away from build area. Make sure your area is large enough to unpack, sort and assemble the unit.

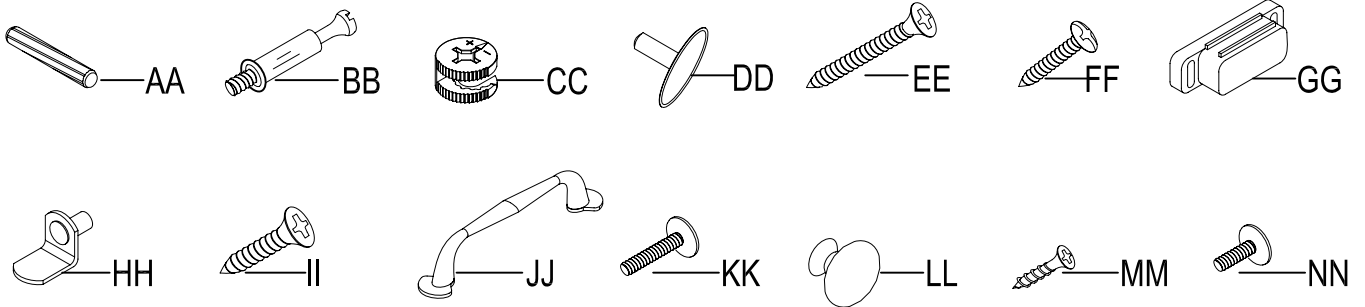
## TOOLS REQUIRED



## HARDWARE INCLUDED



**NOTE:** Hardware not shown to actual size.

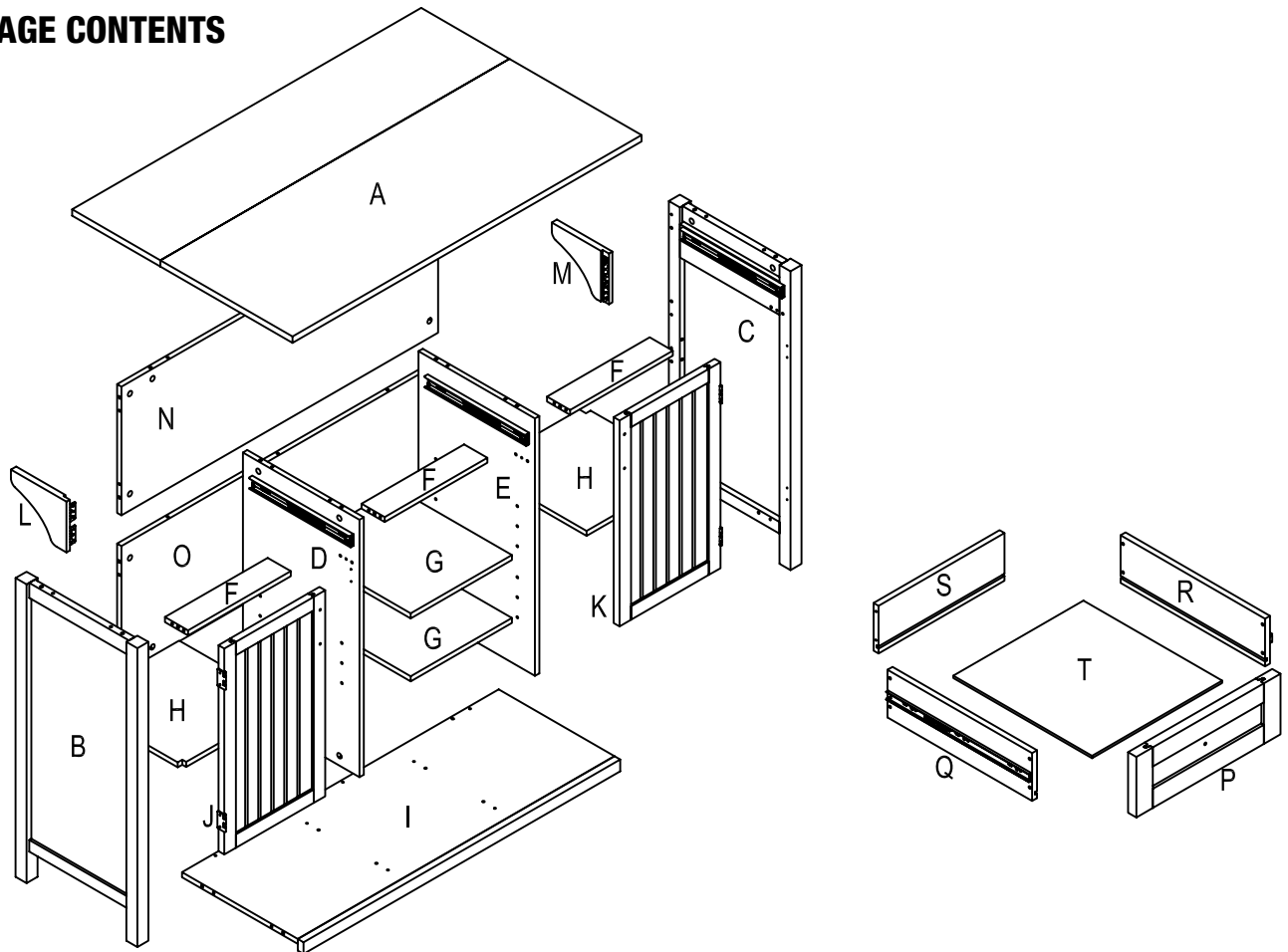


Part	Description	Quantity
AA	Wood dowel	43
BB	Cam lock bolt	36
CC	Cam lock	36
DD	Plastic cover	13
EE	1 in. Flat head screw	24
FF	5/8 in. Round head screw	4
GG	Magnet	2

Part	Description	Quantity
HH	Shelf support	16
II	1/2 in. Flat head screw	8
JJ	Handle	2
KK	Long bolt	4
LL	Knob	3
MM	5/8 in. Flat head screw	12
NN	Short bolt	3

# Pre-assembly (continued)

## PACKAGE CONTENTS

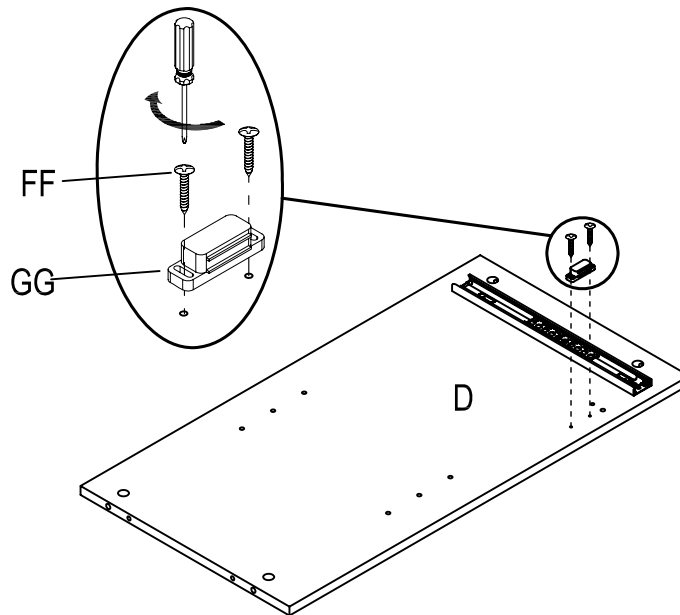
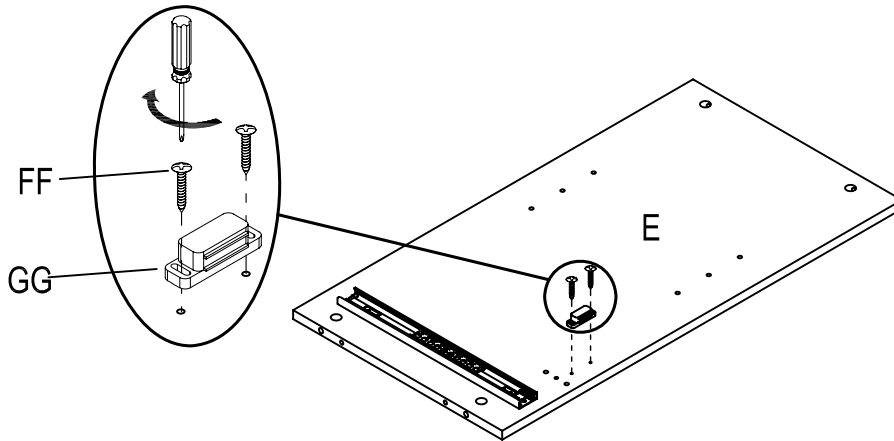


Part	THD Table Header, 10 pt.	Quantity
A	Top panel	1
B	Left side panel	1
C	Right side panel	1
D	Left partition	1
E	Right partition	1
F	Crossbar	3
G	Center adjustable shelf	2
H	Side adjustable shelf	2
I	Bottom panel	1
J	Left door	1
K	Right door	1
L	Left side support	1
M	Right side support	1
N	Top back panel	1
O	Bottom back panel	1
P	Drawer front panel	3
Q	Drawer left side panel	3
R	Drawer right side panel	3
S	Drawer back panel	3
T	Drawer bottom panel	3

# Assembly

## 1 Attaching the magnet

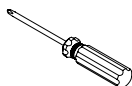
- Attach magnet (GG) to partitions (E) and (D) with screw (FF) as shown.



5/8 in. Round  
head screw  
(FF) x 4

Magnet  
(GG) x 2

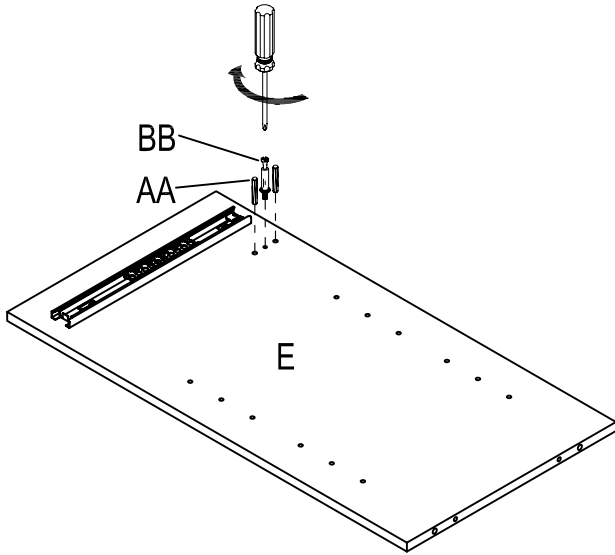
Small head



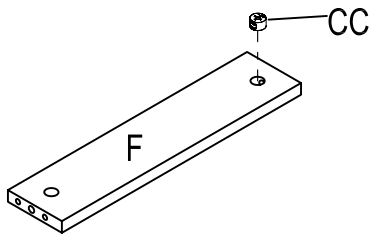
# Assembly (continued)

## 2 Attaching the bar to right partition

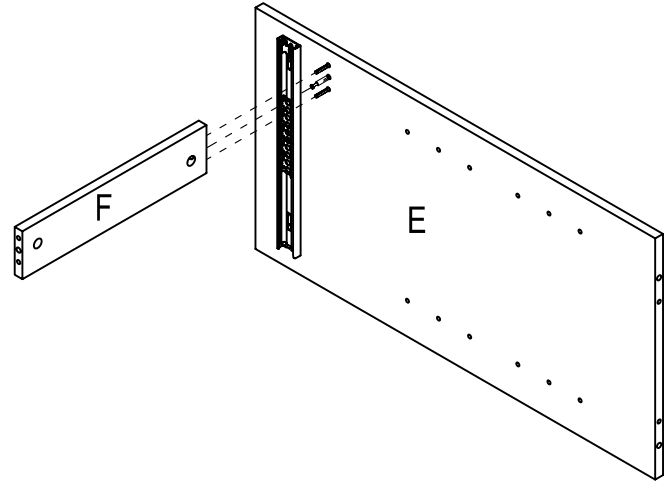
- a) Install dowel (AA) and bolt (BB) into partition (E).



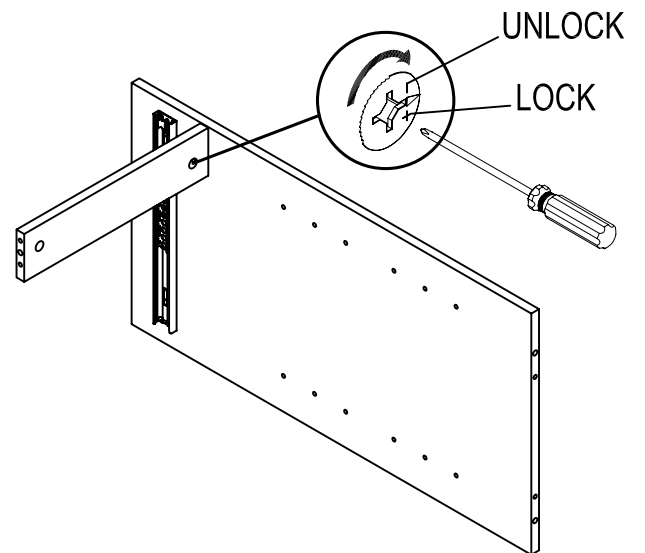
- b) Insert lock (CC) into bar (F).



- c) Join bar (F) to the partition (E).



- d) Tighten bolt (BB) with lock (CC) in the pre-drilled holes.

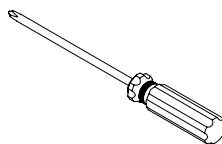
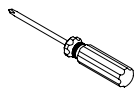
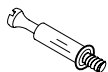


Wood dowel    Cam lock bolt    Cam lock    Small head    Large head

(AA) x 2

(BB) x 1

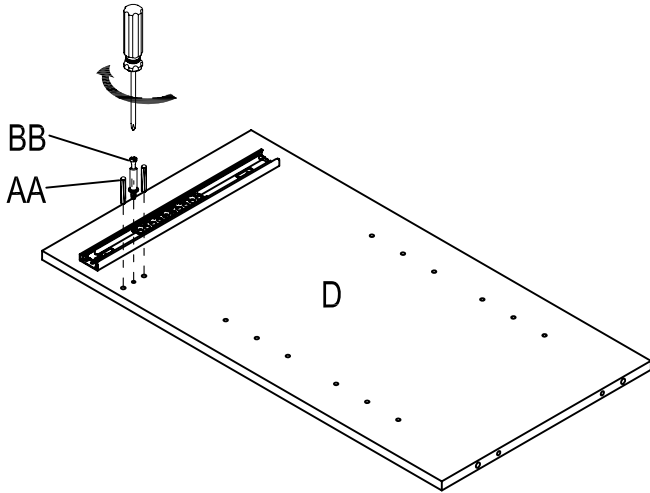
(CC) x 1



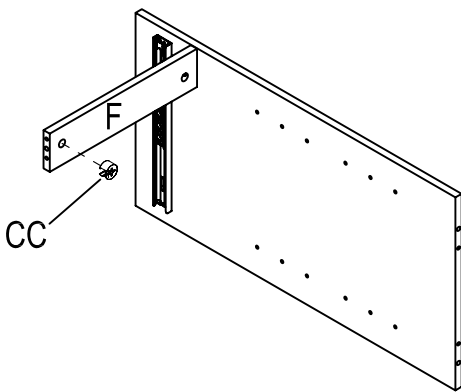
# Assembly (continued)

## 3 Attaching the left partition

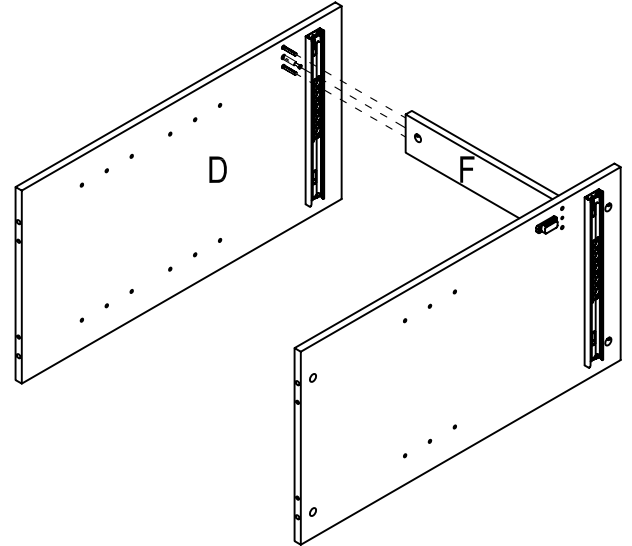
- a) Install dowel (AA) and bolt (BB) into partition (D).



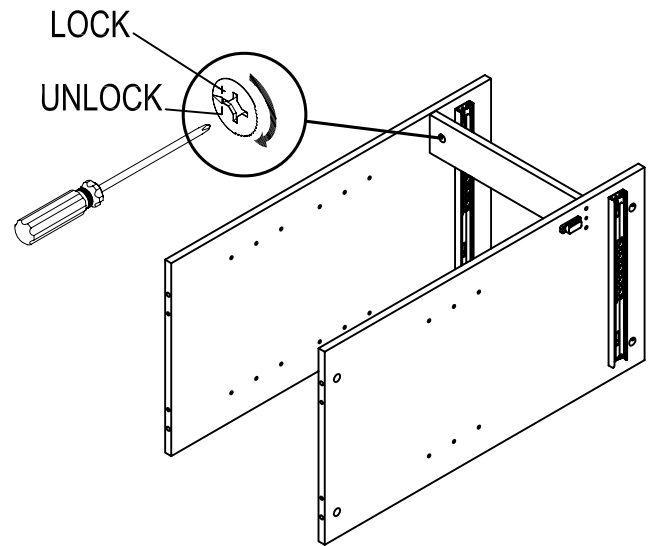
- b) Insert lock (CC) into bar (F).



- c) Join bar (F) to the partition (D).



- d) Tighten bolt (BB) with lock (CC) in the pre-drilled holes.

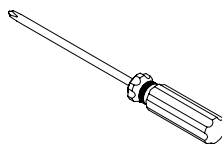
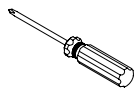
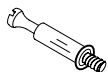


Wood dowel    Cam lock bolt    Cam lock    Small head    Large head

(AA) x 2

(BB) x 1

(CC) x 1

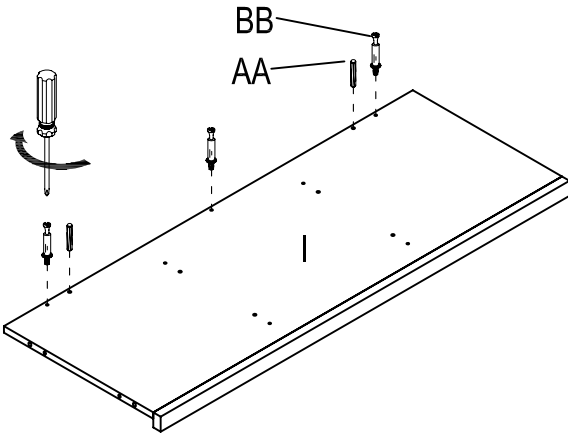




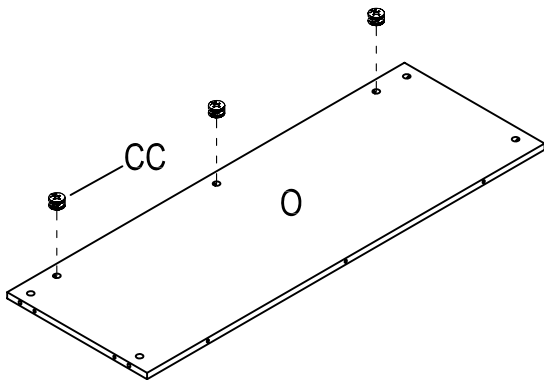
# Assembly (continued)

## 4 Attaching the back panel to the bottom panel

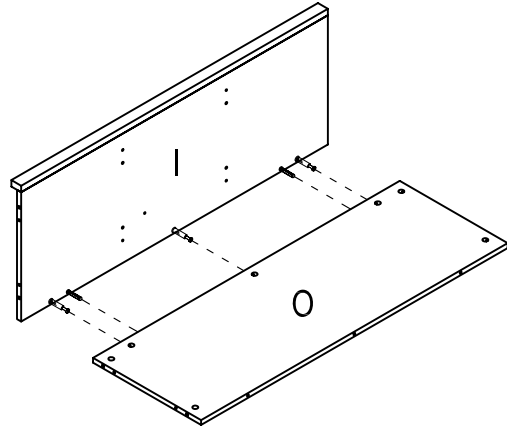
- a) Install dowel (AA) and bolt (BB) into panel (I).



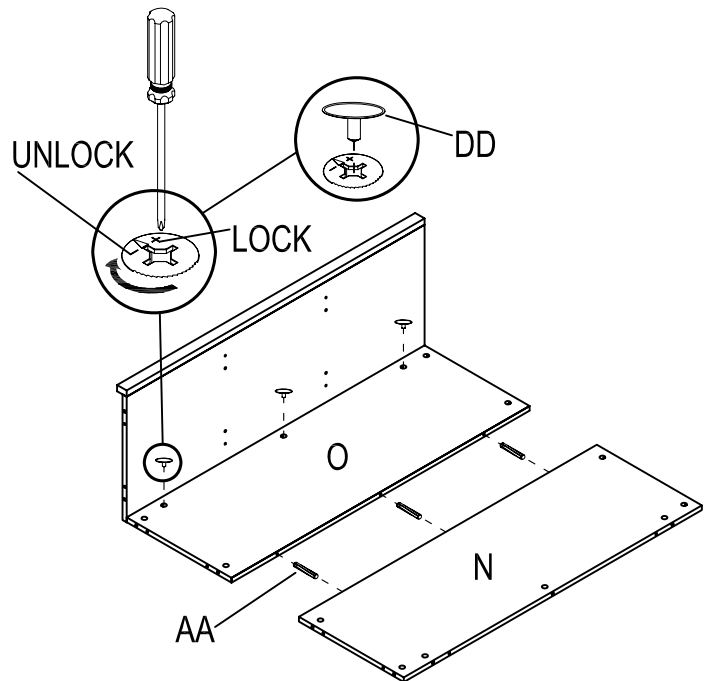
- b) Insert lock (CC) into panel (O).



- c) Join panel (O) to the panel (I) with dowel (AA).



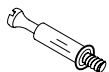
- d) Tighten bolt (BB) with lock (CC) in the pre-drilled holes.



- e) Cover the cam holes with the cover (DD).  
Join panel (N) to the panel (O) with dowel (AA).

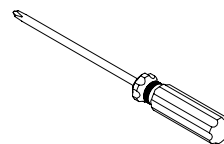
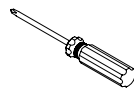
Wood dowel    Cam lock bolt    Cam lock    Plastic cover

(AA) x 5    (BB) x 3    (CC) x 3    (DD) x 3



Small head

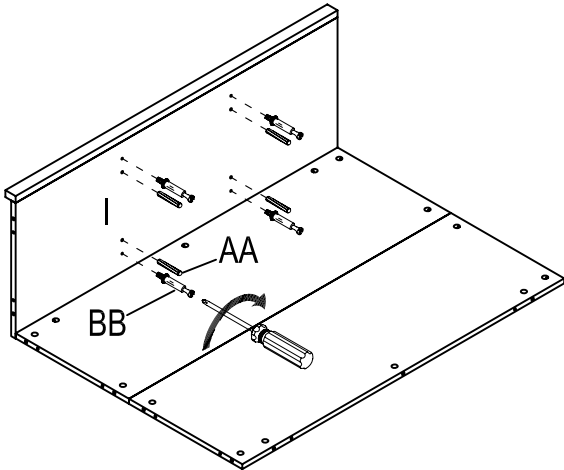
Large head



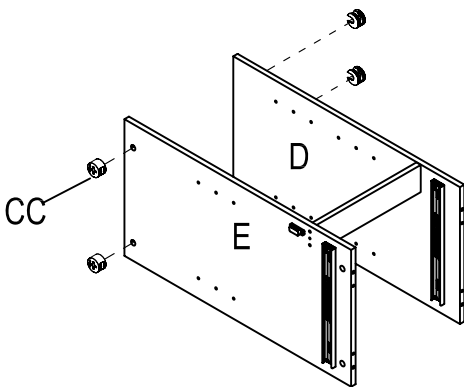
# Assembly (continued)

## 5 Attaching the partition to the bottom panel

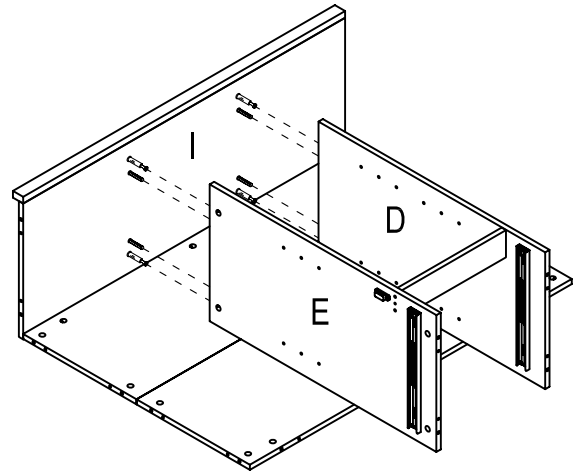
- a) Install dowel (AA) and bolt (BB) into panel (I).



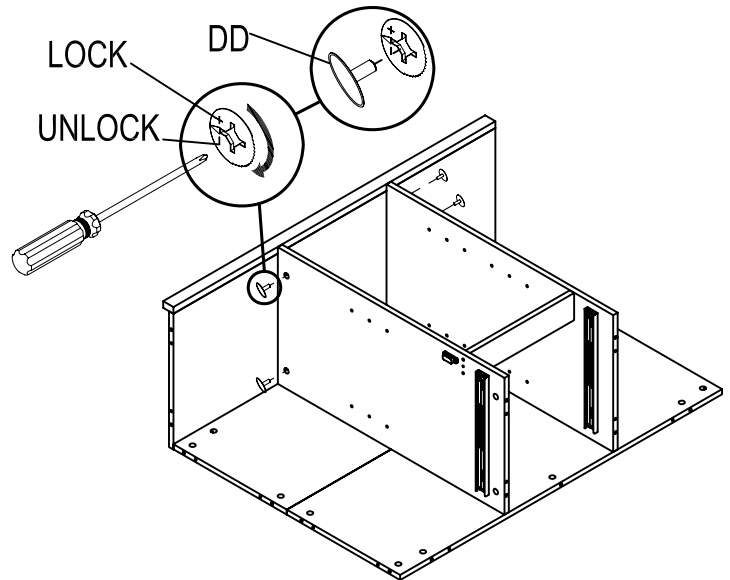
- b) Insert lock (CC) into partitions (D) and (E).



- c) Join panel (I) to the assembled body with dowel (AA).



- d) Tighten bolt (BB) with lock (CC) in the pre-drilled holes.



- e) Cover the cam holes with the cover (DD).

Wood dowel

Cam lock bolt

Cam lock

Plastic cover

Small head

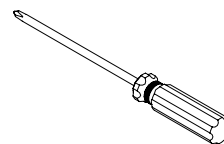
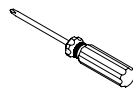
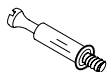
Large head

(AA) x 4

(BB) x 4

(CC) x 4

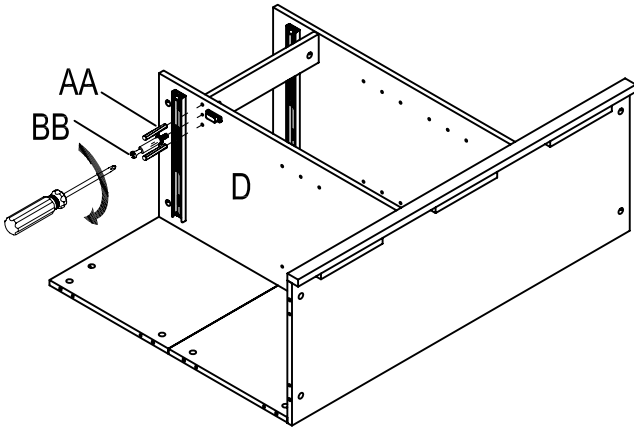
(DD) x 4



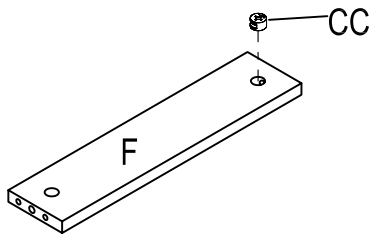
# Assembly (continued)

## 6 Attaching the bar to left partition

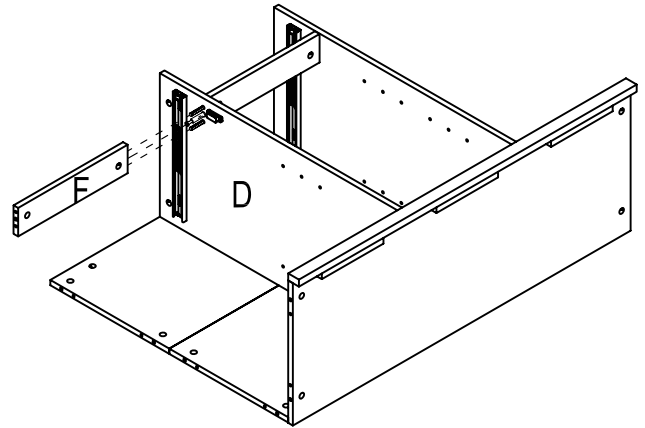
- a) Install dowel (AA) and bolt (BB) into partition (D).



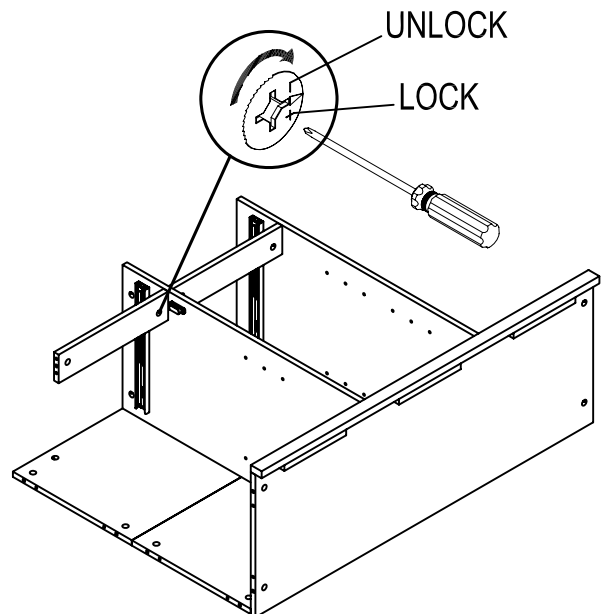
- b) Insert lock (CC) into bar (F).



- c) Join bar (F) to the assembled body with dowel (AA).



- d) Tighten bolt (BB) with lock (CC) in the pre-drilled holes.

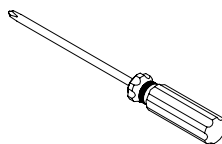
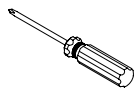
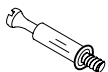


Wood dowel    Cam lock bolt    Cam lock    Small head    Large head

(AA) x 2

(BB) x 1

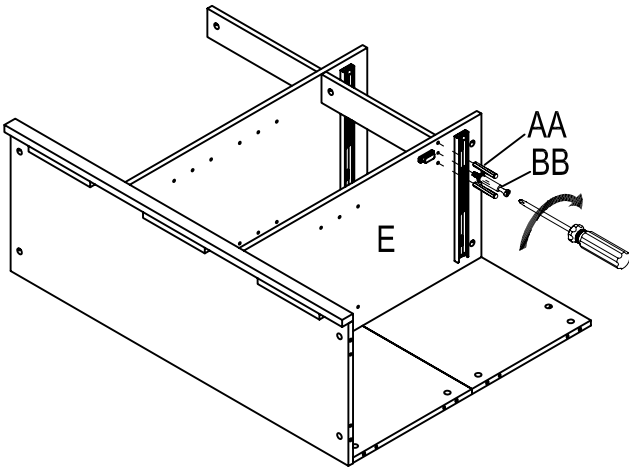
(CC) x 1



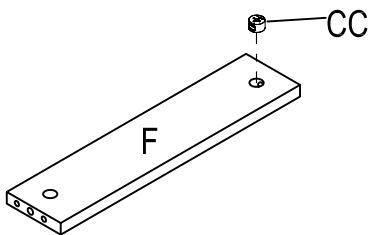
# Assembly (continued)

## 7 Attaching the bar to right partition

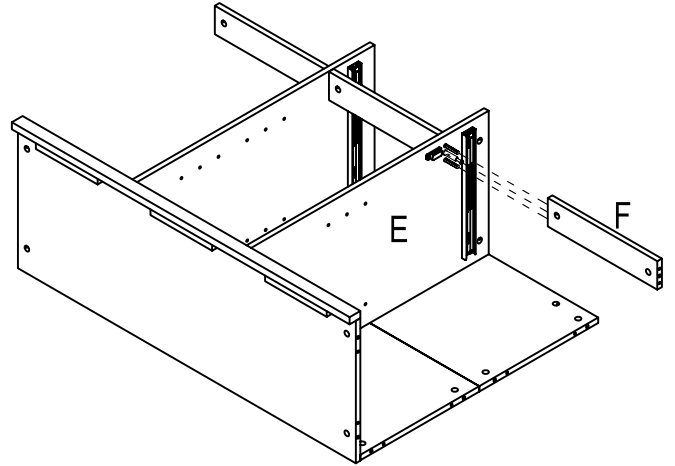
- a) Install dowel (AA) and bolt (BB) into partition (E).



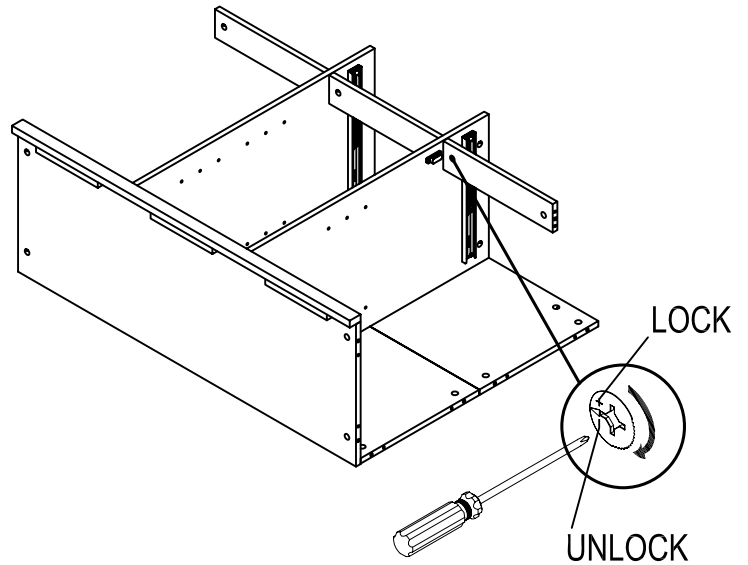
- b) Insert lock (CC) into bar (F).



- c) Join bar (F) to the assembled body with dowel (AA).



- d) Tighten bolt (BB) with lock (CC) in the pre-drilled holes.

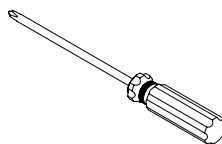
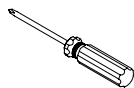
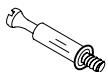


Wood dowel    Cam lock bolt    Cam lock    Small head    Large head

(AA) x 2

(BB) x 1

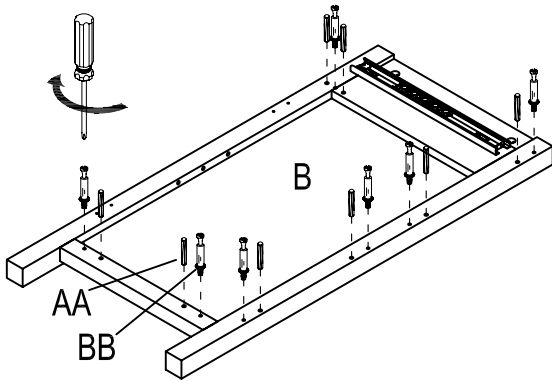
(CC) x 1



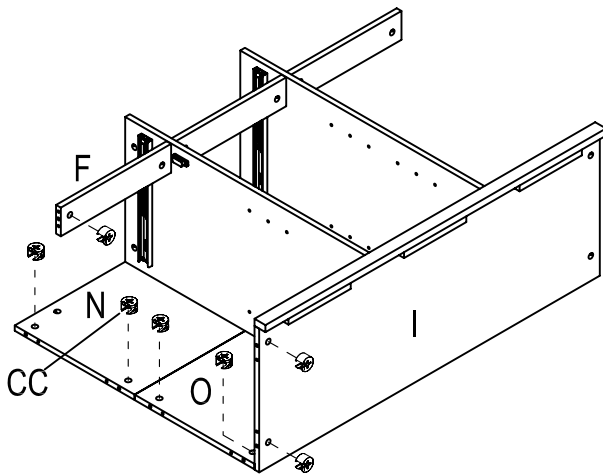
# Assembly (continued)

## 8 Attaching the left side panel

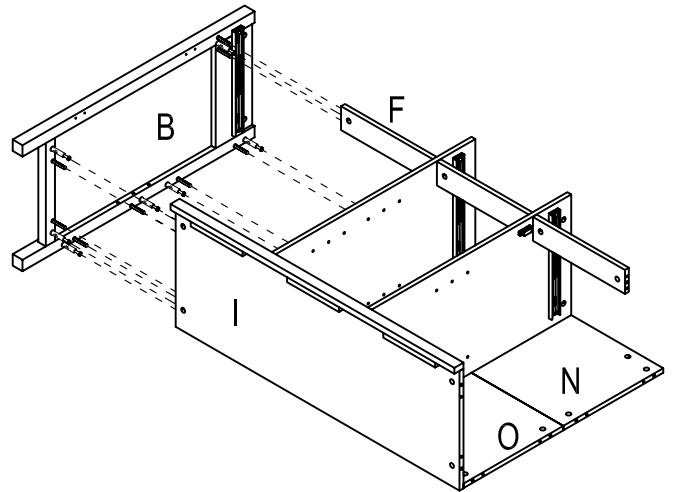
- a) Install dowel (AA) and bolt (BB) into panel (B).



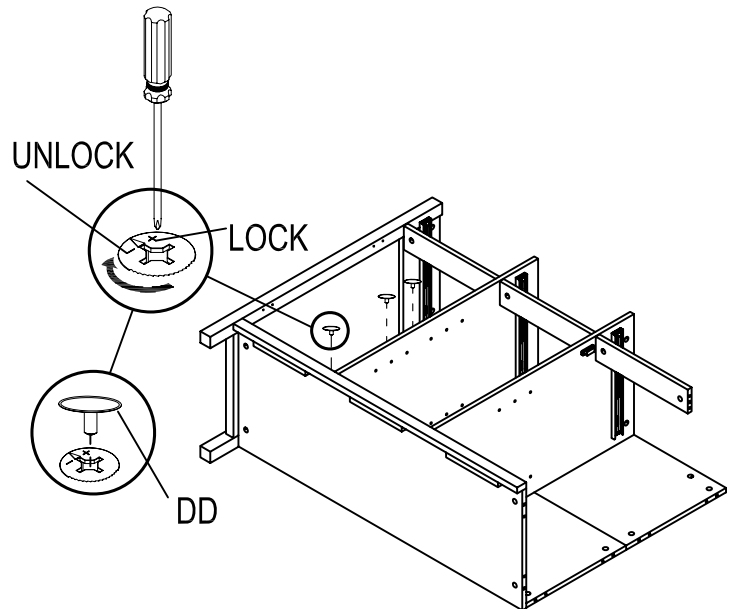
- b) Insert lock (CC) into panels (N), (O) and (I), and bar (F).



- c) Join panel (B) to the assembled body with dowel (AA).
- 



- d) Tighten bolt (BB) with lock (CC) in the pre-drilled holes.



- e) Cover the cam holes with the cover (DD).

Wood dowel    Cam lock bolt    Cam lock    Plastic cover    Small head    Large head

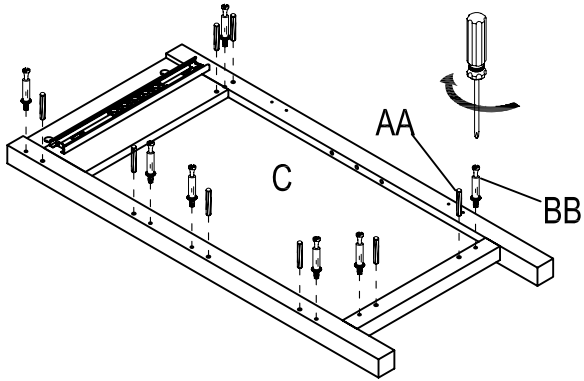
(AA) x 8    (BB) x 7    (CC) x 7    (DD) x 3



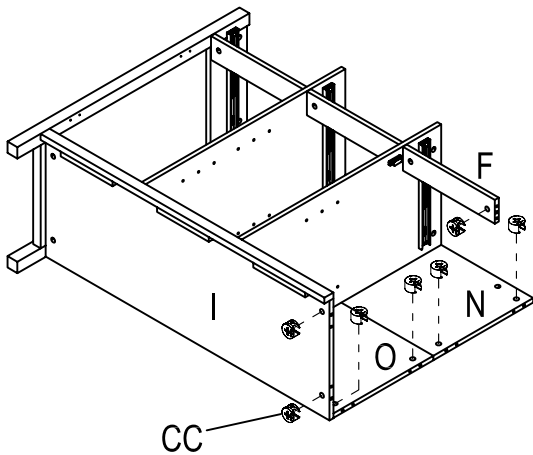
# Assembly (continued)

## 9 Attaching the right side panel

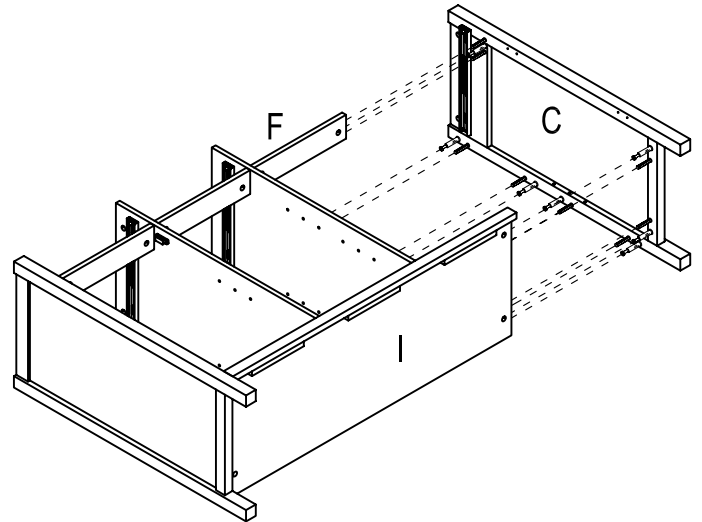
- a) Install dowel (AA) and bolt (BB) into panel (C).



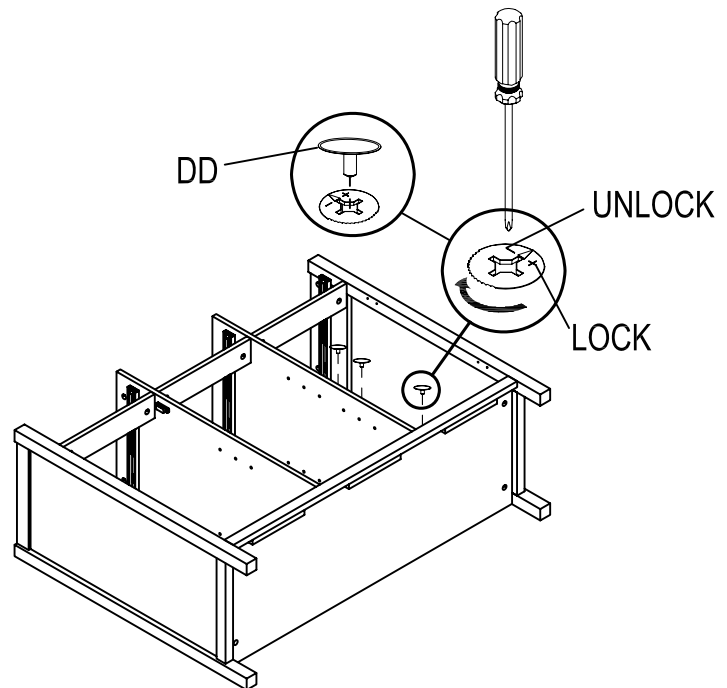
- b) Insert lock (CC) into panels (N), (O) and (I), and bar (F).



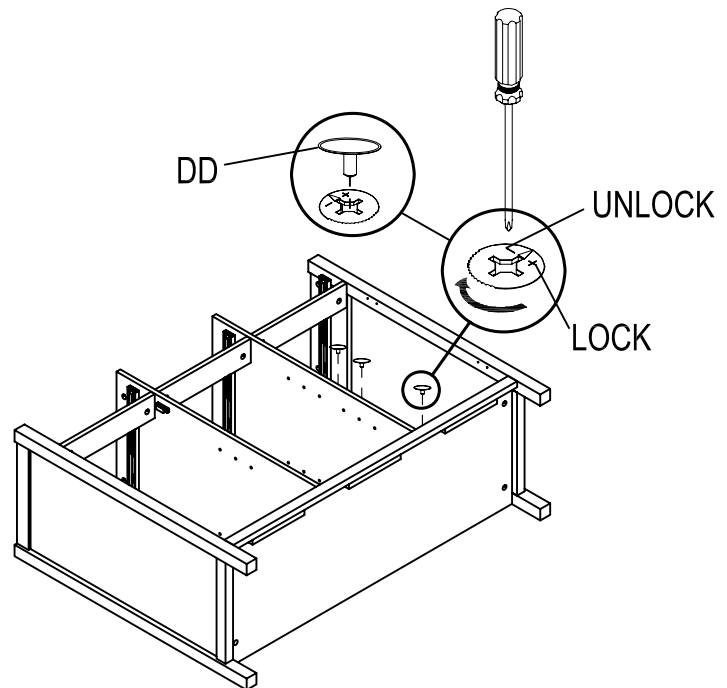
- c) Join panel (C) to the assembled body with dowel (AA).



- d) Tighten bolt (BB) with lock (CC) in the pre-drilled holes.



- e) Cover the cam holes with the cover (DD).



Wood dowel    Cam lock bolt    Cam lock    Plastic cover

(AA) x 8

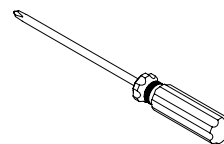
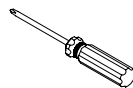
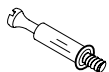
(BB) x 7

(CC) x 7

(DD) x 3

Small head

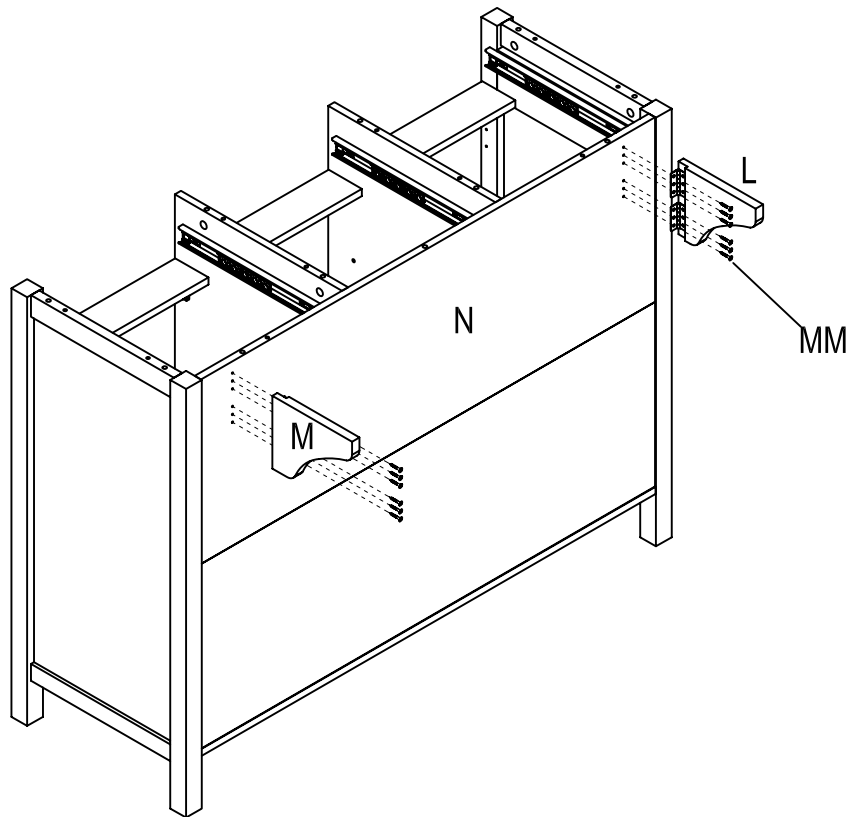
Large head



## Assembly (continued)

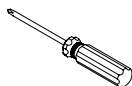
# 10 Attaching the support

- Tighten support (L) and (M) with screw (MM).



5/8"L Flat head screw    Small head

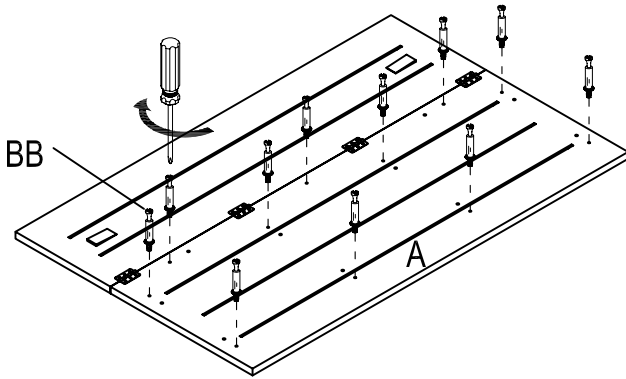
(MM) x 12



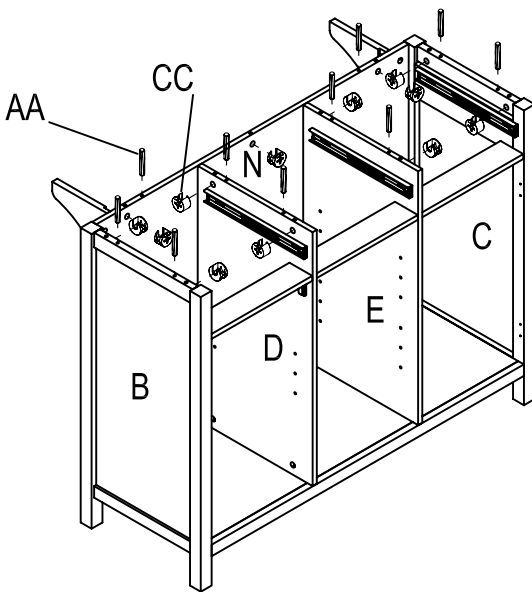
# Assembly (continued)

## 11 Attaching the top panel

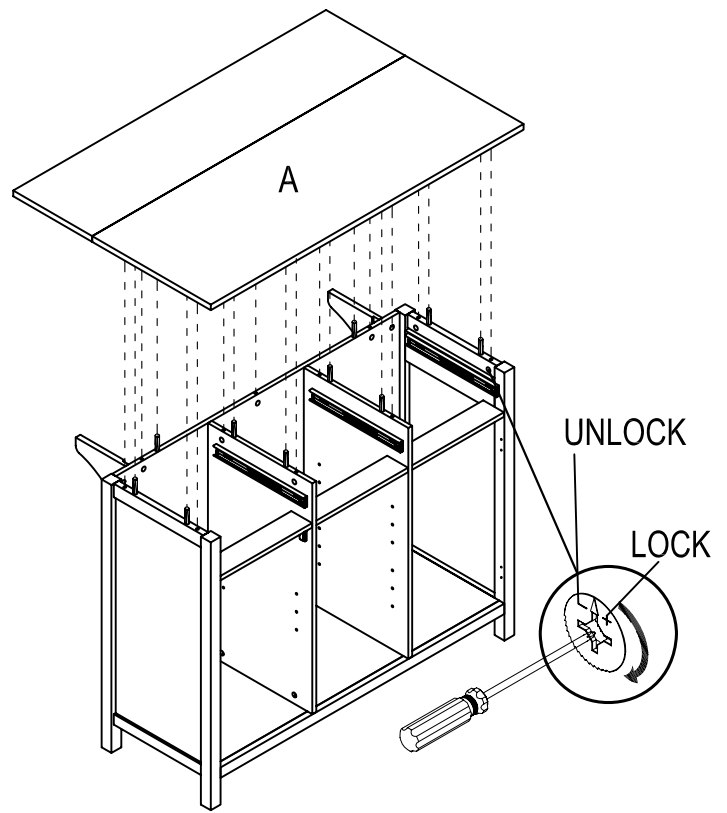
- a) Install bolt (BB) into panel (A).



- b) Insert lock (CC) and dowel (AA) into panel (B), (C) and (N), and partitions (D) and (E).



- c) Join panel (A) to the assembled body with dowel (AA).



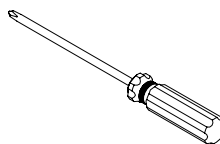
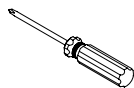
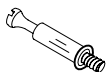
- d) Tighten bolt (BB) with lock (CC) in the pre-drilled holes.

Wood dowel    Cam lock bolt    Cam lock    Small head    Large head

(AA) x 10

(BB) x 11

(CC) x 11

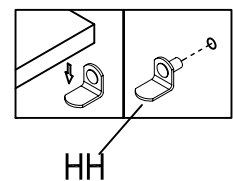
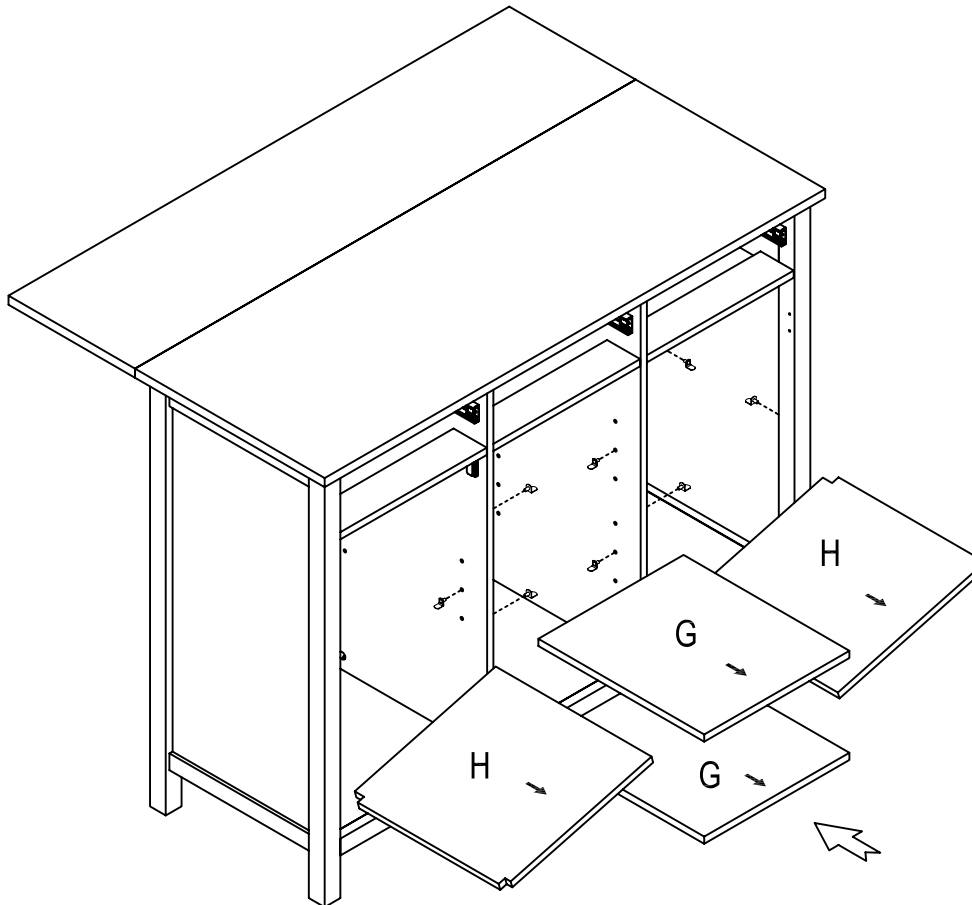




## Assembly (continued)

# 12 Assembling the adjustable shelf

- Insert shelf supports (HH) in desired positions and place shelves (H) and (G) on the supports.



Shelf support

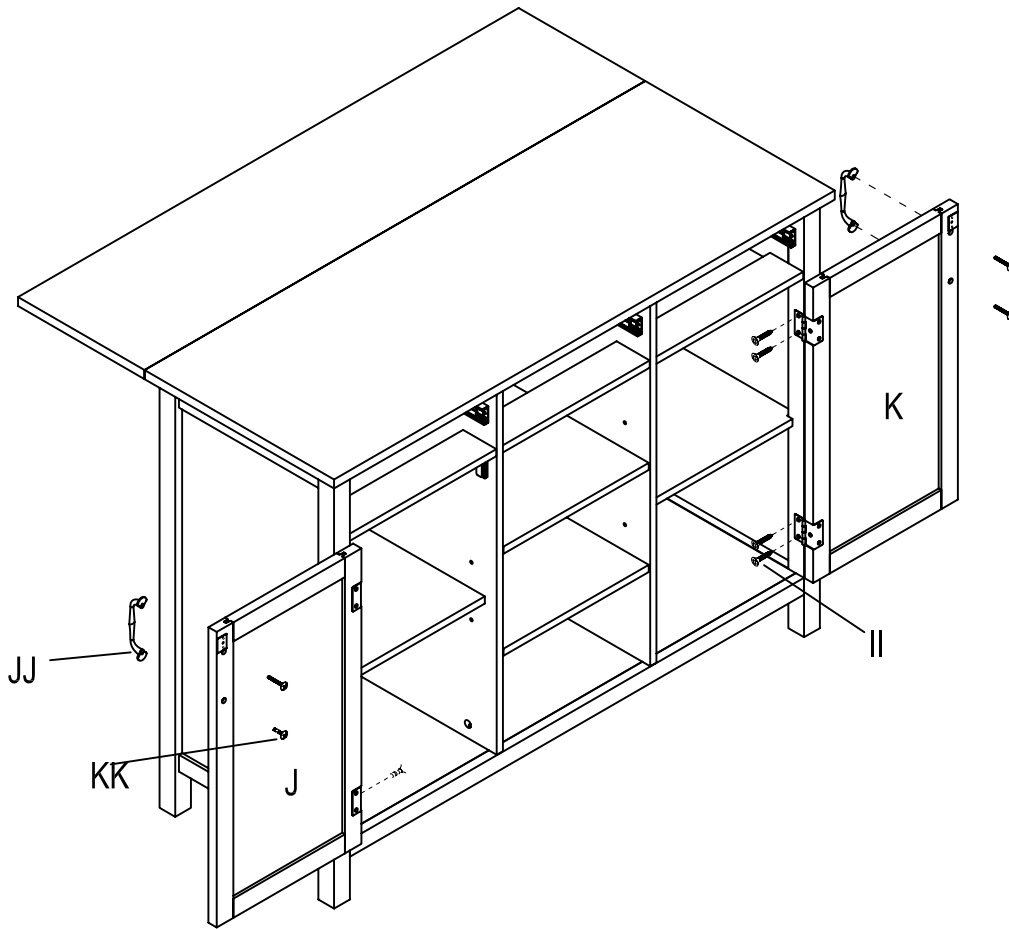
(HH) x 16



## Assembly (continued)

# 13 Attaching the door

- a) Attach left door (J) and right door (K) to the assembled body with screw (II) as shown.



- b) Attach handle (JJ) to door (J) and door (K) with the bolt (KK).



**NOTE:** A helper who can hold the door in position makes the door installation easier.

1/2 in. Flat head screw

Handle

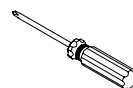
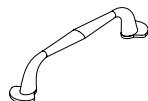
Long bolt

Small head

(II) x 8

(JJ) x 2

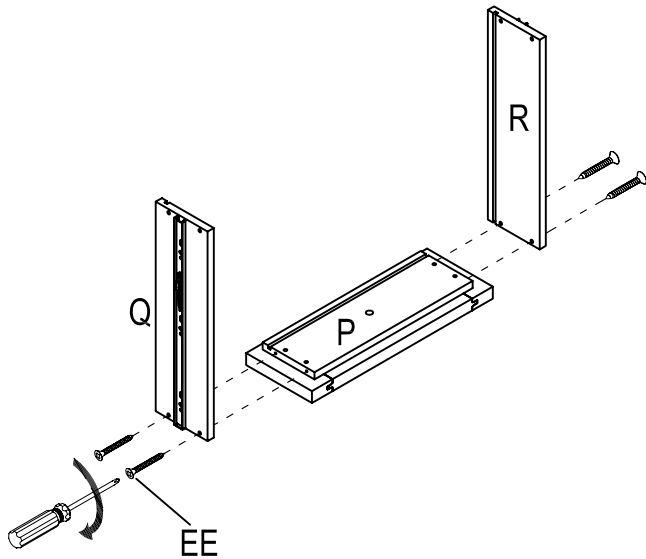
(KK) x 4



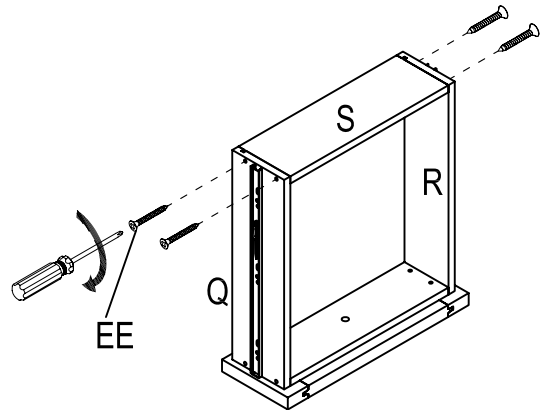
# Assembly (continued)

## 14 Assembling the drawer

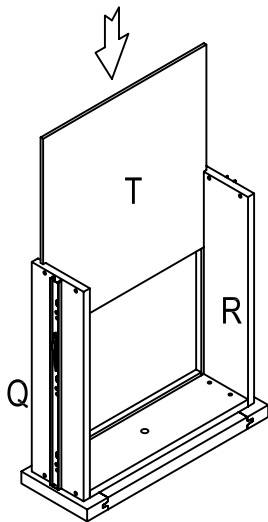
- a) Tighten panels (Q) and (R) to the panel (P) with screw (EE).



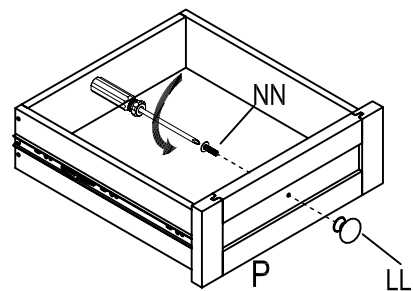
- c) Tighten panel (S) to the assembled body with screw (EE).



- b) Slide panel (T) into the grooves on panels (Q) and (R).



- d) Tighten knob (LL) to panel (P) with bolt (NN).



1 in. Flat head screw

Knob

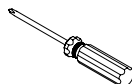
Short bolt

Small head

(EE) x 24

(LL) x 3

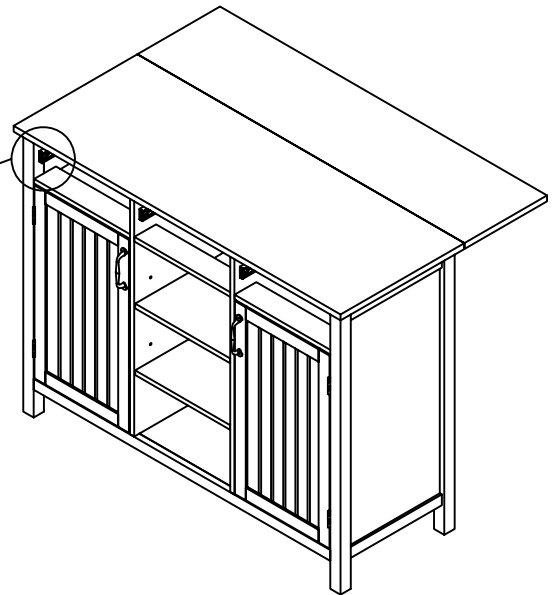
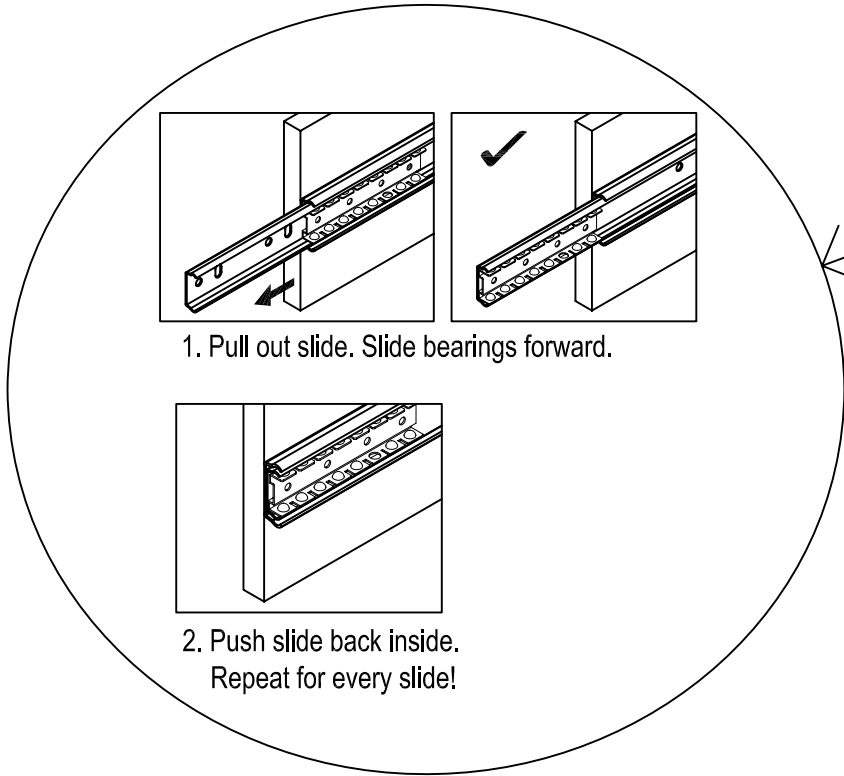
(NN) x 3




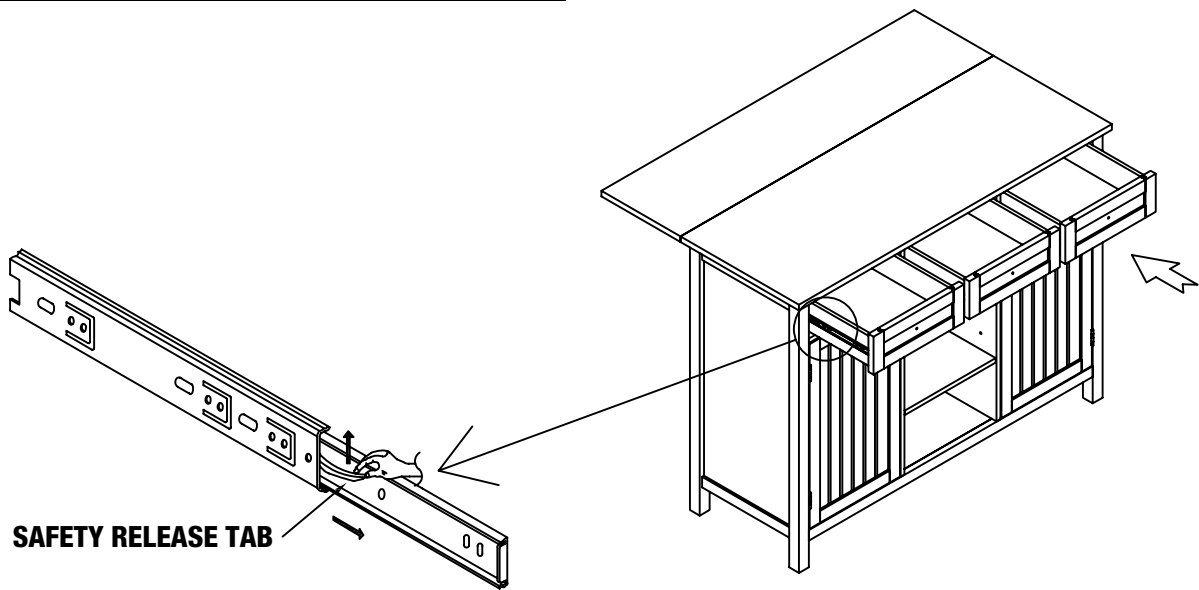
# Assembly (continued)


## 15 Finalizing the assembly

- Insert the six drawers into the assembled body as shown.



 **NOTE:** Make sure the slide piece is at the front end of the glide when installing the drawer into the body.



 **NOTE:** When removing the drawer, tip-up the safety release tab to remove the drawer from the body.

# StyleWell.™

Questions, problems, missing parts?  
Before returning to the store, call Customer Service  
8 a.m. – 7 p.m., EST, Monday – Friday, 9 a.m. – 6 p.m., EST, Saturday

**1-877-527-0313**

**HOMEDEPOT.COM**

Retain this manual for future use.