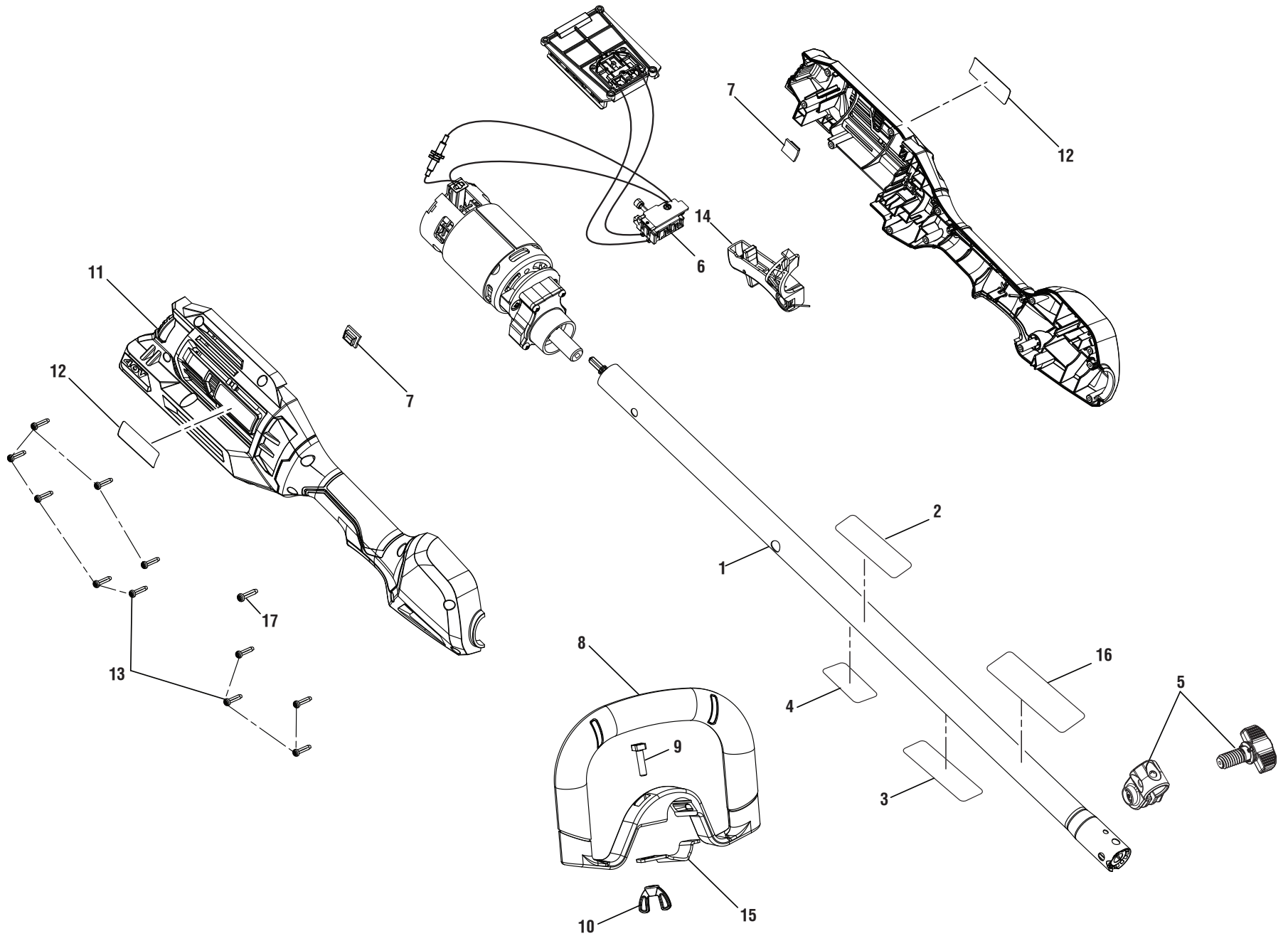


**RYOBI**  
**Power Head**  
**Item No. RY40006**  
**Mfg No. 314778001**  
**Repair Sheet**

**TECHTRONIC INDUSTRIES POWER EQUIPMENT**

P.O. Box 1288, Anderson, SC 29622  
Phone 1-800-860-4050  
[www.ryobitools.com](http://www.ryobitools.com)

RYOBI POWER HEAD – ITEM NO. RY40006



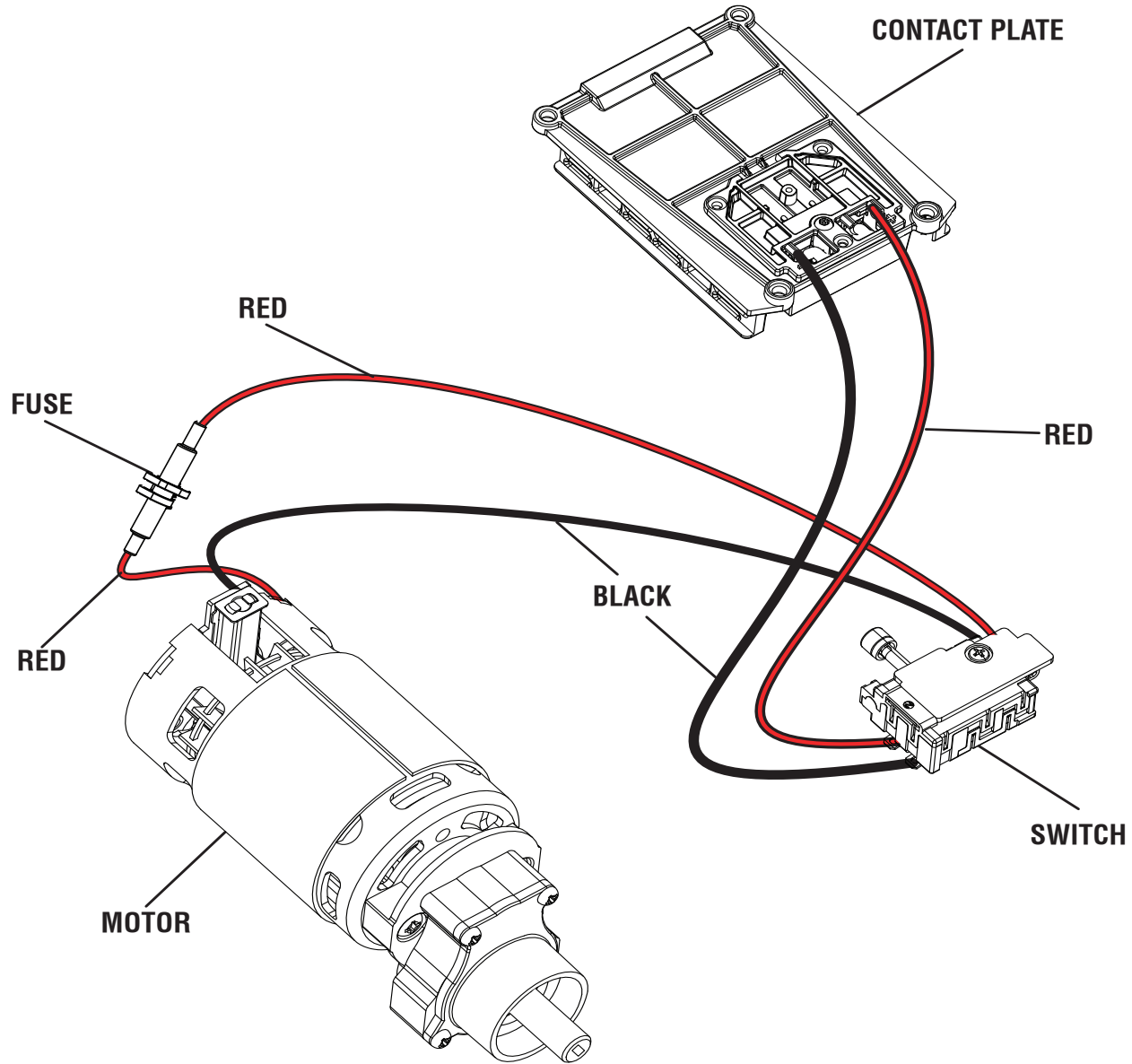
**RYOBI POWER HEAD – ITEM NO. RY40006**

The item and manufacturing number will be found on a label attached to the boom assembly. Always mention the item and manufacturing number of your **POWER HEAD** when requesting service or ordering repair parts.

**PARTS LIST**

<b>KEY NO.</b>	<b>PART NUMBER</b>	<b>DESCRIPTION</b>	<b>QTY</b>
1	314829001	Boom Assembly (Inc. Key Nos. 2-4) .....	1
2	941013004	Warning Icon Label .....	1
3	941013005	Warning Label (French/Spanish) .....	1
4	941588302	Data Label .....	1
5	314562001	Boom Clamp Assembly .....	1
6	314832001	Motor, Gear Box, Switch & Contact Plate Assembly .....	1
7	570115001	Rubber Plate .....	2
8	308056009	Front Handle Assembly (Inc. Key Nos. 9-10 & 15) .....	1
9	660857001	Screw (1/4-20 x 40 mm, Hex Hd.) .....	1
10	518949001	Wing Nut (1/4-20) .....	1
11	314830001	Rear Handle Assembly (Inc. Key No. 12) .....	1
12	940114519	Logo Label .....	2
13	661864007	Screw (M4 x 18 mm, T15 Torx Pan Hd.) .....	11
14	537285001	Switch Trigger Assembly .....	1
15	639167001	Assist Handle Clamp .....	1
16	941851150	Attachment Label .....	1
17	660031017	Screw (M3.5 x 16 mm, T10 Torx Pan Hd.) .....	1
	<b>Not Shown</b>		
	995000659	Operator's Manual	
	11-8-18		
	(Rev:01)		

**RYOBI POWER HEAD – ITEM NO. RY40006**



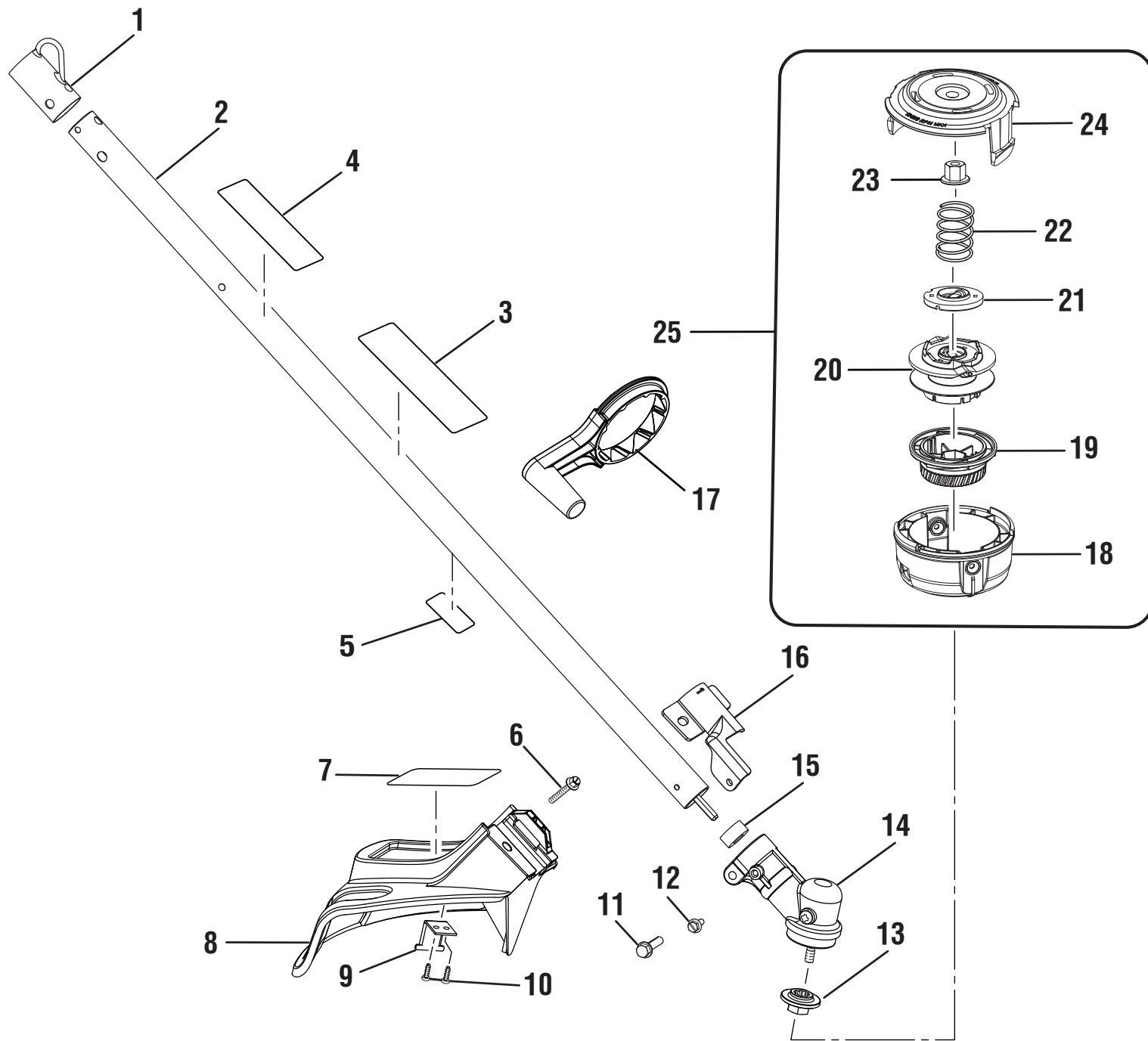
**WIRING DIAGRAM**

**RYOBI**  
**Trimmer Attachment**  
**Item No. RY15523A**  
**Model No. 313351003**  
**Repair Sheet**

**TECHTRONIC INDUSTRIES POWER EQUIPMENT**

P.O. Box 1288  
Anderson, SC 29622 USA  
1-800-860-4050

RY15523A TRIMMER ATTACHMENT



## RY15523A TRIMMER ATTACHMENT

The model number will be found on a label attached to the motor housing. Always mention the model number of your **STRING TRIMMER** when requesting service or ordering repair parts.

### PARTS LIST

KEY NO.	PART NUMBER	DESCRIPTION	QTY
1	518019002	Hanger Cap .....	1
2	314383001	Straight Shaft Assembly (Inc. Key Nos. 3-5).....	1
3	940749005	Warning Icon Label .....	1
4	941851149	Ryobi EXPAND-IT Label.....	1
5	941588053	Data Label .....	1
6	660738002	Screw (1/4-20 x 3/4 in., Hex Washer Hd.).....	1
7	940705021	Logo Label .....	1
8	313285005	Grass Deflector Assembly (Inc. Key Nos. 6-7 & 9-10) .....	1
9	638016003	Line Cut-off Blade .....	1
10	662148001	Screw .....	2
11	660642001	Screw (1/4-20 x 3/4 in., Hex Washer Hd.).....	1
12	660641001	Screw (10-24 x 5/8 in., Hex Washer Hd.).....	1
13	678011001	Flanged Washer .....	1
14	308210009	Gear Head .....	1
15	518367001	Spacer.....	1
16	638125001	Grass Deflector Clamp.....	1
17	312283001	Crank Handle .....	1
18	530366001	Lower Housing .....	1
19	530455002	Bump Knob (Green).....	1
20	530670001	Spool Assembly.....	1
21	529803001	String Guide.....	1
22	678749001	Spring .....	1
23	662568002	Hex Flange Nut (M8, Left Hand).....	1
24	530001004	Upper Housing .....	1
25	313318001	Stringhead Reel Assembly (Inc. Key Nos. 18-24) .....	1
	<b>Not Shown:</b>		
	990000799	Operator's Manual	
	1-02-19		
	(Rev:06)		

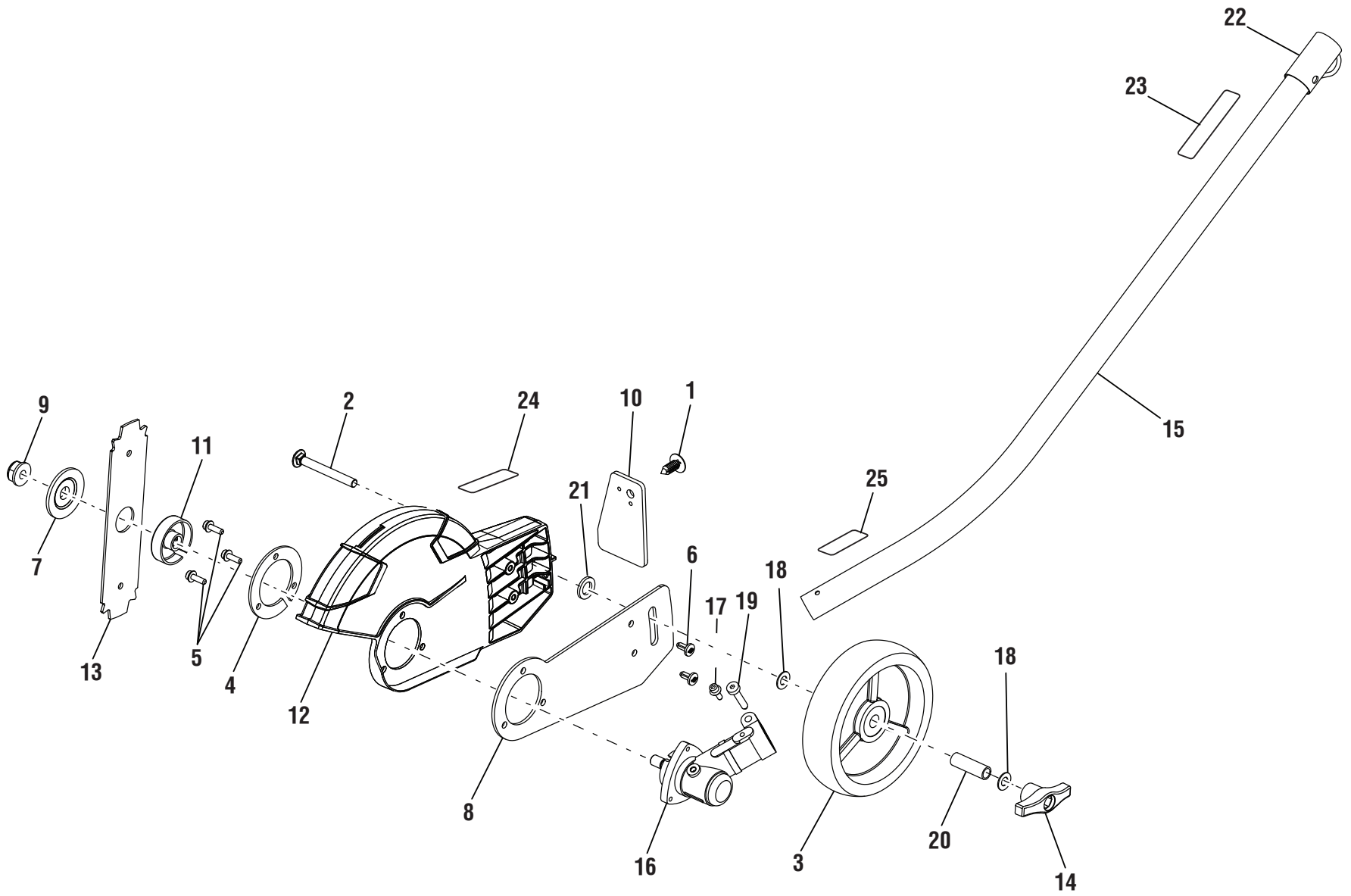
**RYOBI EXPAND-IT**  
**Edger Attachment**  
**Item Nos. RYEDG12/RYEDG12VNM**  
**Mfg. Nos. 090410010/095410101**  
**Repair Sheet**

**TECHTRONIC INDUSTRIES POWER EQUIPMENT**

P.O. Box 1288  
Anderson, SC 29622 USA  
1-800-860-4050



RYOBI EXPAND-IT EDGER ATTACHMENT – ITEM NOS. RYEDG12/RYEDG12VNM



## RYOBI EXPAND-IT EDGER ATTACHMENT – ITEM NOS. RYEDG12/RYEDG12VNM

The model number will be found on a label attached to the boom. Always mention the model number in all correspondence regarding your **EDGER ATTACHMENT** or when ordering replacement parts.

KEY NO.	PART NUMBER	DESCRIPTION	QTY
1	531944001	Trim Clip.....	1
2	661526008	Carriage Bolt (M8 x 1.25 in.).....	1
3	531503001	Wheel (Ø150 mm).....	1
4	678262002	Mounting Ring.....	1
5	660354001	Screw (M5 x 16 mm, T25 Torx Soc. Hd.).....	3
6	660621001	Screw (10-14 x 1/2 in., T25 Torx Soc. Hd.).....	2
7	613072001	Blade Washer.....	1
8	637404001	Main Bracket.....	1
9	678018002	Blade Lock Nut (M10 x 1.25 in.).....	1
10	561382003	Mud Flap.....	1
11	613071001	Flange Washer.....	1
12	316403001	Grass Shield Assembly (Inc. Key No. 24).....	1
13	638006013	Blade (8 in., AC04215).....	1
14	308730006	Adjusting Knob w/Hex Nut.....	1
15	312432001	Boom Assembly (Inc. Key Nos. 22-23 and 25).....	1
16	312017001	Gear Case Assembly.....	1
17	660641002	Screw (10-24 x 5/8 in., Hex Soc. Hd.).....	1
18	636233001	Washer (ID8.5 x OD20.5 x 2t).....	2
19	660642002	Screw (1/4-20 x 1-1/4 in., Hex Soc. Hd.).....	1
20	695528001	Axle Spacer.....	1
21	637434002	Washer (ID12 x OD20 x 2.5t).....	1
22	518019004	Hanger Cap.....	1
23	940657026	Boom Icon Warning Label.....	1
24	941018002	Shield Icon Warning Label.....	1
25	941489003	Hot Surface Warning Label.....	1

**Not Shown:**

991000979 Operator's Manual  
 3-25-20  
 (Rev:02)