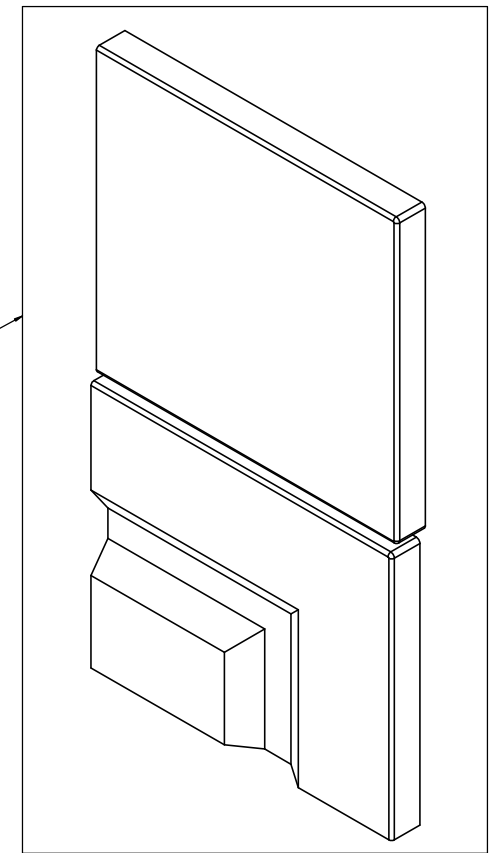
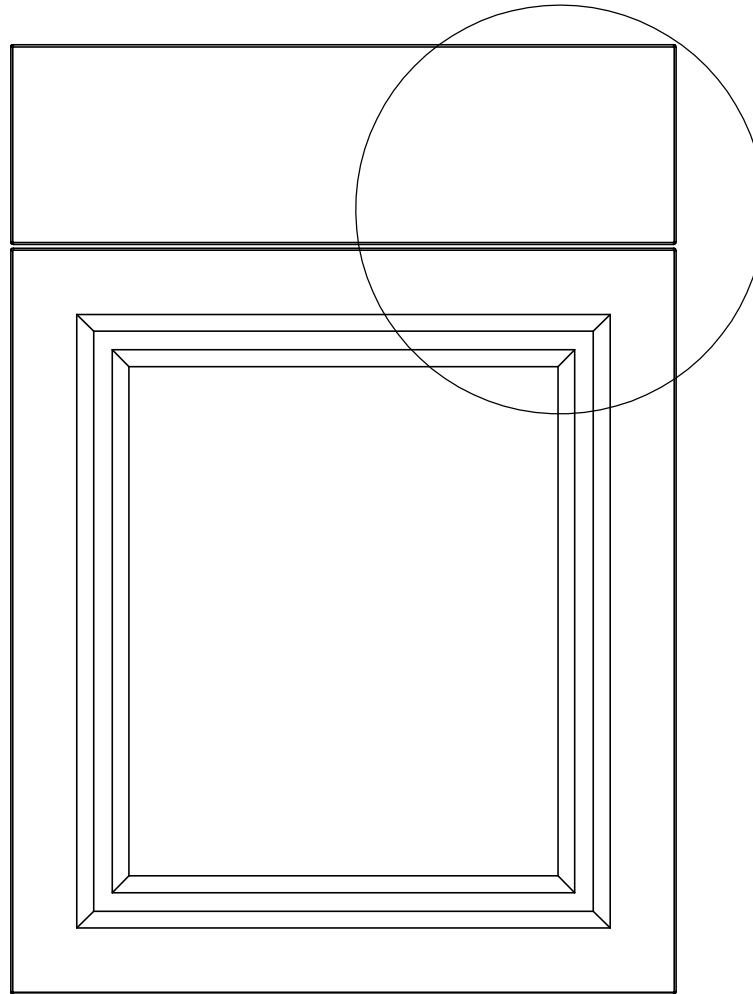


Item ID	Front Thickness [in] mm	Door Thickness [in] mm
BT2135B-WH	[.63] 16	[.63] 16

**This profile  
belongs to  
BT2135B-WH**

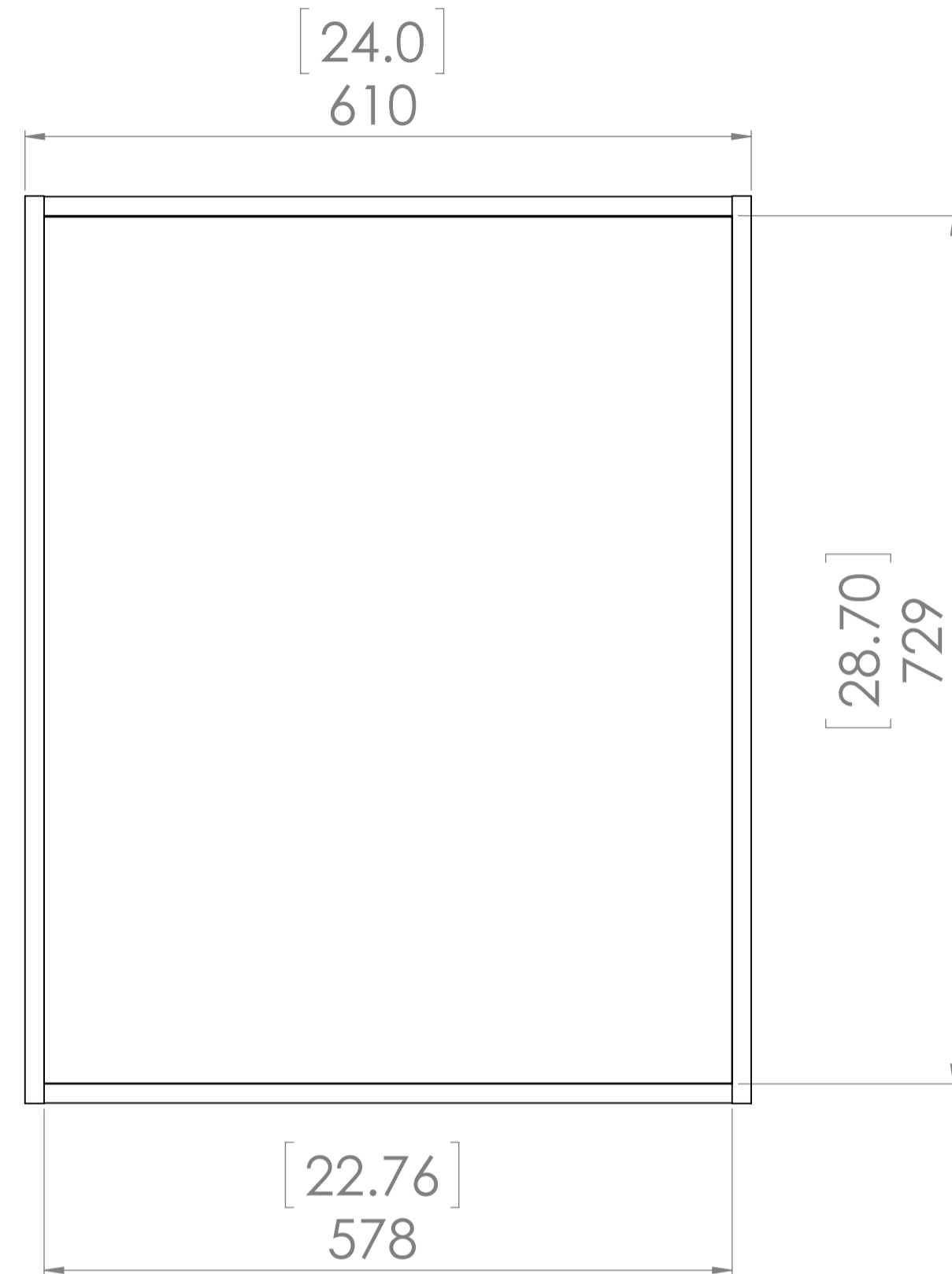


**Detailed View**

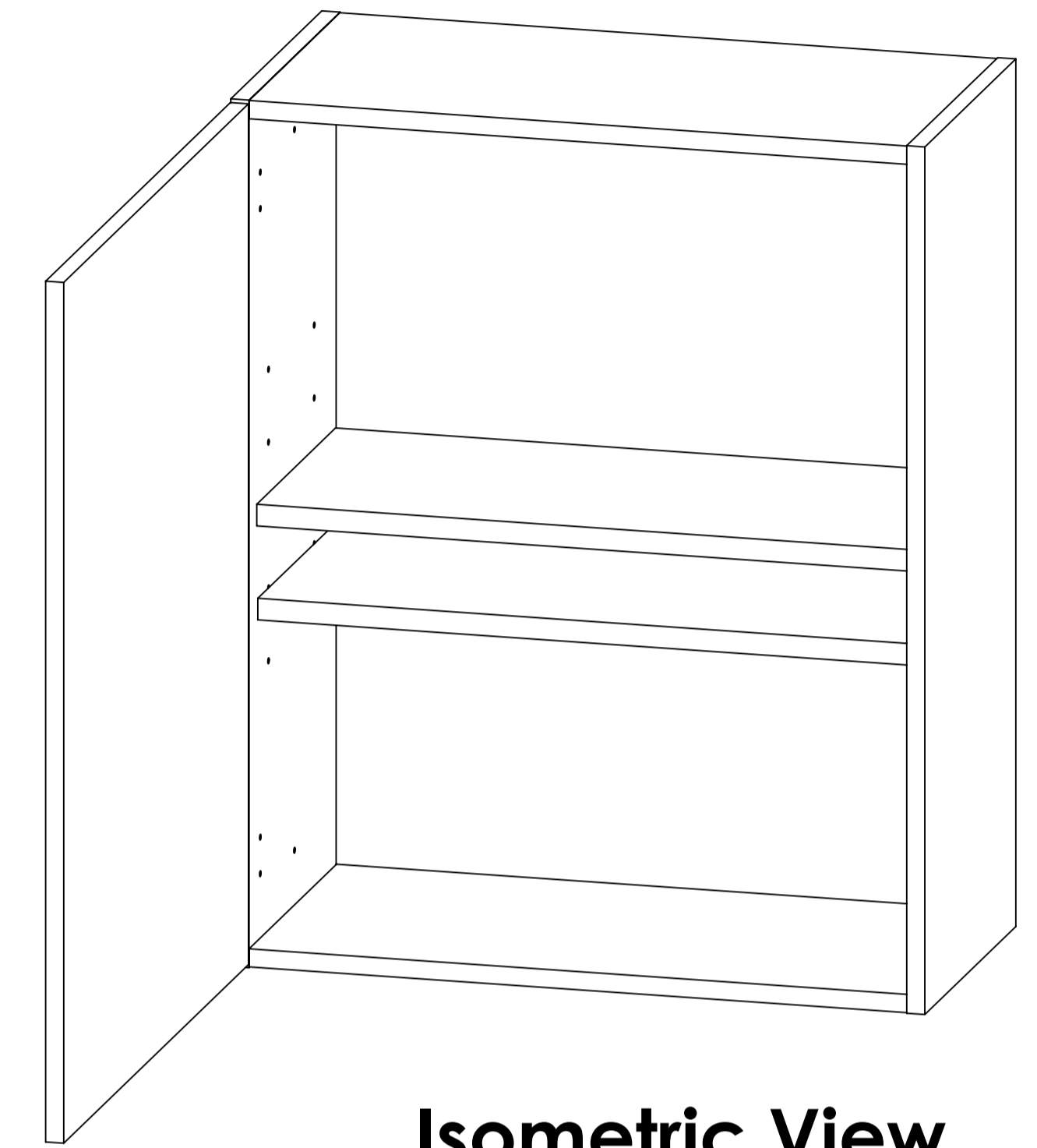
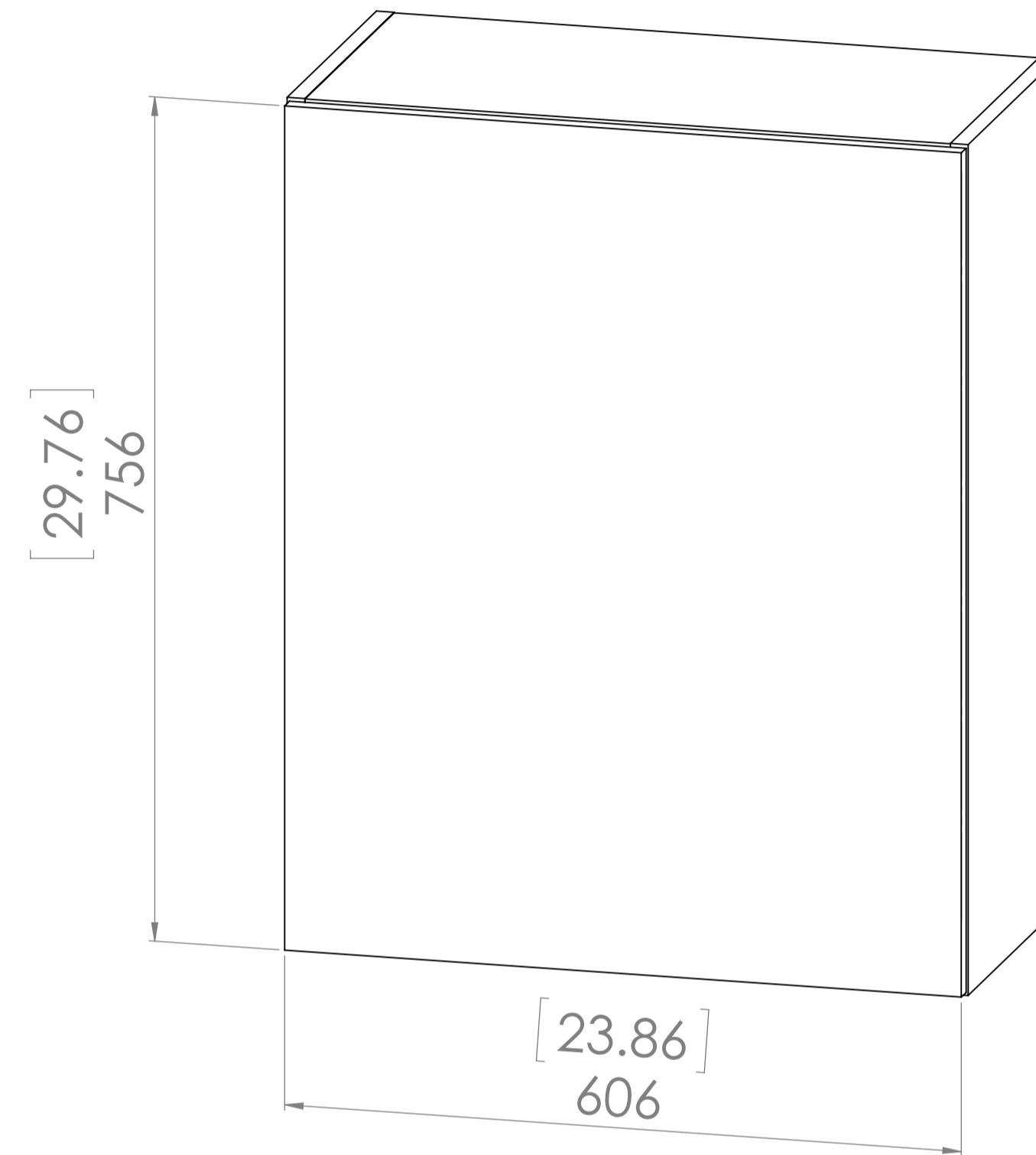
<b>Profile: Benton White</b>	
PROPRIETARY AND CONFIDENTIAL THE INFORMATION CONTAINED IN THIS DRAWING IS THE SOLE PROPERTY OF WOODCRAFTERS. ANY REPRODUCTION IN PART OR AS A WHOLE WITHOUT THE WRITTEN PERMISSION OF WOODCRAFTERS IS PROHIBITED.	UNLESS OTHERWISE SPECIFIED DIMENSIONS ARE IN MM AND [INCHES] TOLERANCES ARE +.039[1]-.039[1] SCALE:1:2

Item ID	Shelf Thickness [in] mm	Shelf Length and Width [in] mm	Depth "X" [in] mm
BT2430W-BT	[.75] 19	L:[10.57] 268.5 W:[22.59] 574	[12.59] 320
BT2430W-WH	[.75] 19		[12.44] 316
CM2430W-DK	[.75] 19		[12.59] 320
CM2430W-WH	[.59] 15		[12.44] 316
EH2430W-GB	[.75] 19		[12.59] 320
BT2430W-RC	[.75] 19		[12.59] 320
CM2430W-KG	[.75] 19		[12.44] 316

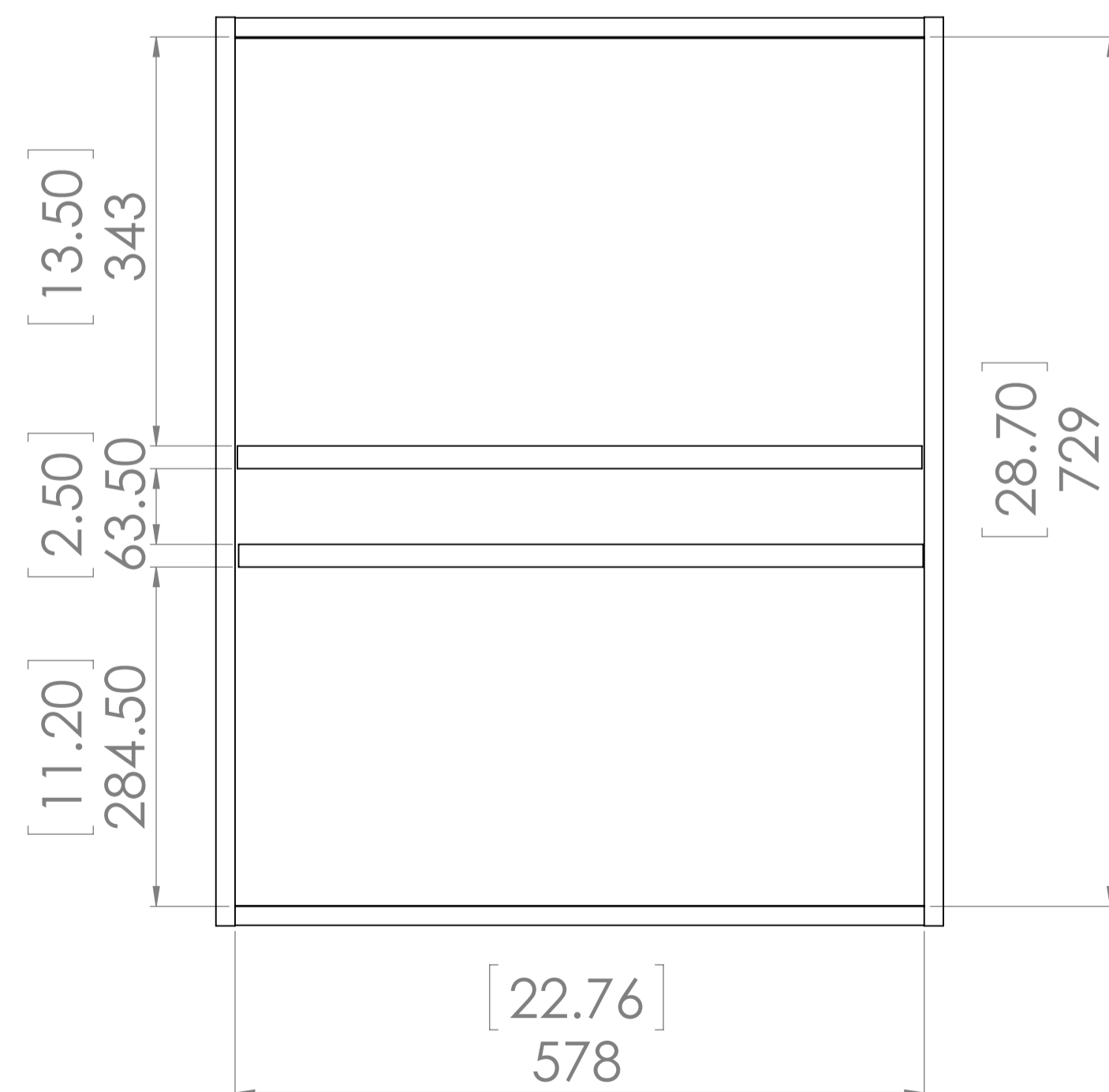
Description					
Kitchens - Wall Cabinet 24					
REV	ECO#	Description	REV'D BY DATE	CHK'D BY DATE	APRV'D BY DATE
2		New model added	11/09/17	11/09/17	11/09/17
3		Structural Change	07/25/18	17/25/18	17/25/18



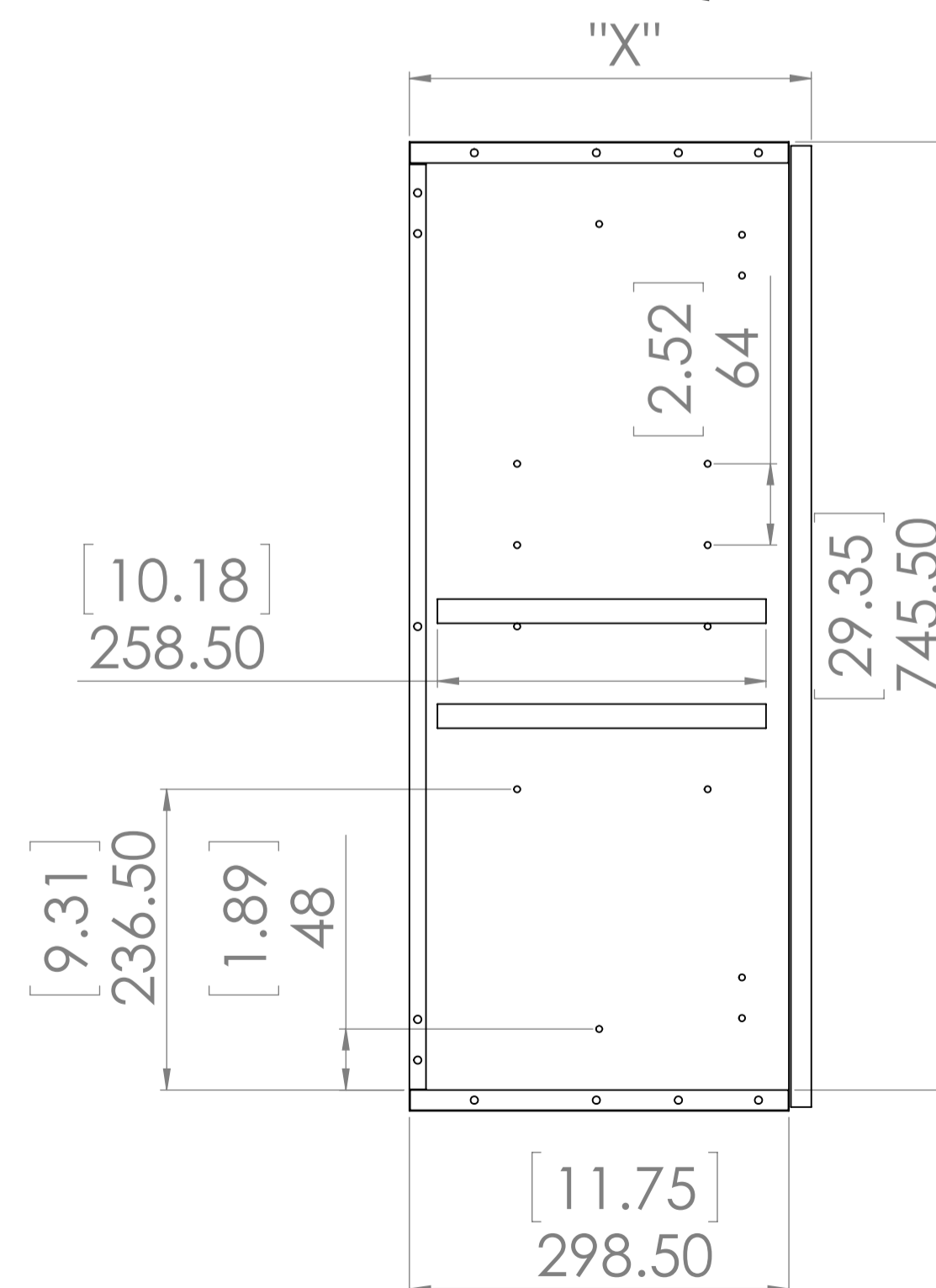
**Back View**



**Isometric View**




**Front View  
(front door removed)**



Depth "X" depends on door profile

**Side View  
(left panel removed)**

	NAME	SIGNATURE	DATE	MATERIAL:	
DRAWN	R. Rubio		11/09/17	Plywood CM-WH.	
CHK'D	R. Rubio		11/09/17	Particle Board the	
APPV'D	R. Rubio		11/09/17	other Cabinets.	
MFG	R. Rubio		11/09/17		
PROPRIETARY AND CONFIDENTIAL THE INFORMATION CONTAINED IN THIS DRAWING IS THE SOLE PROPERTY OF WOODCRAFTERS. ANY REPRODUCTION IN PART OR AS A WHOLE WITHOUT THE WRITTEN PERMISSION OF WOODCRAFTERS IS PROHIBITED.				UNLESS OTHERWISE SPECIFIED DIMENSIONS ARE IN mm. AND [INCHES] TOLERANCES ARE +/- 1[0.039] SCALE:1:5	<b>Wall Cabinet 24in</b> SCALE:1:10 SHEET 1 OF 1