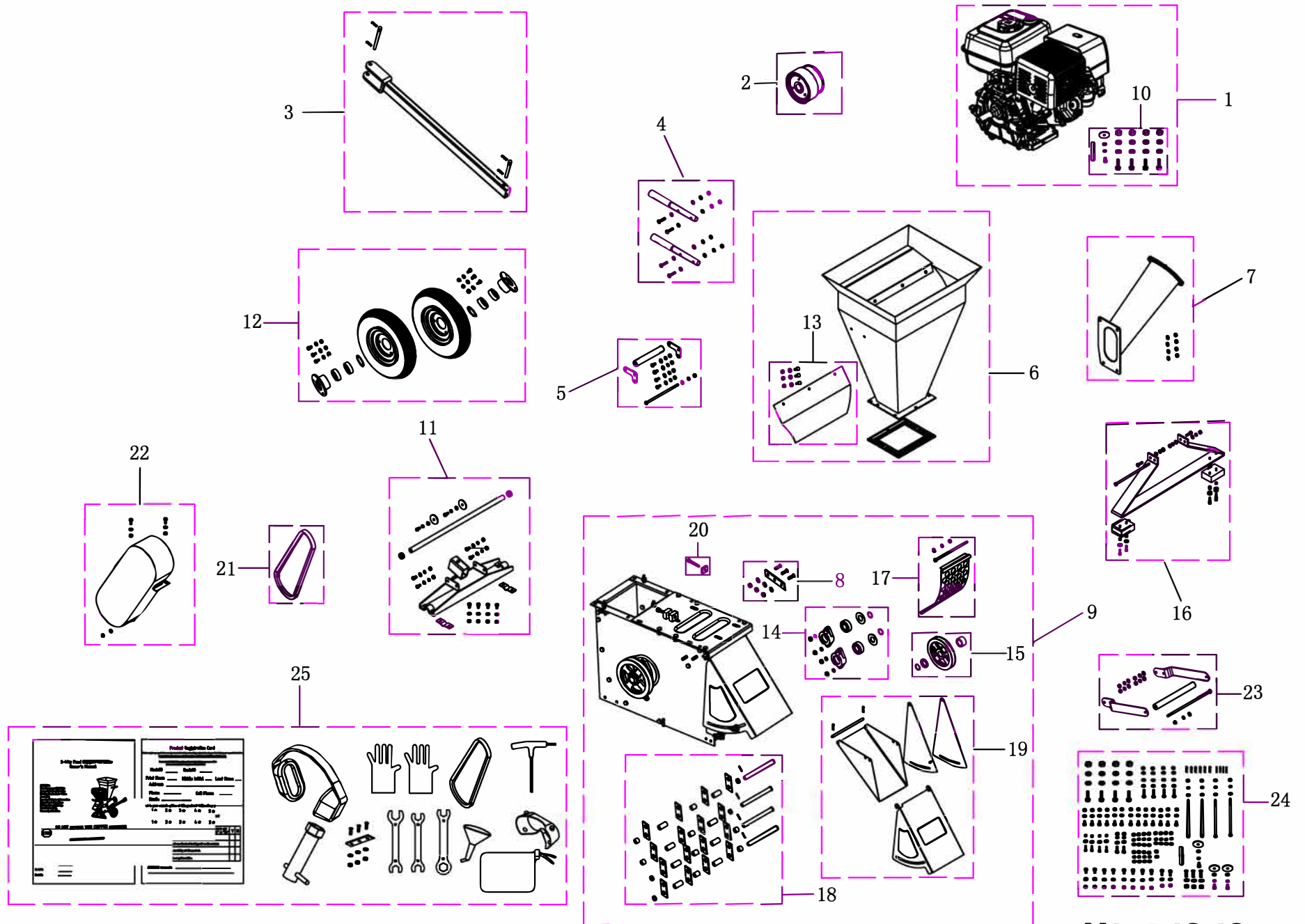
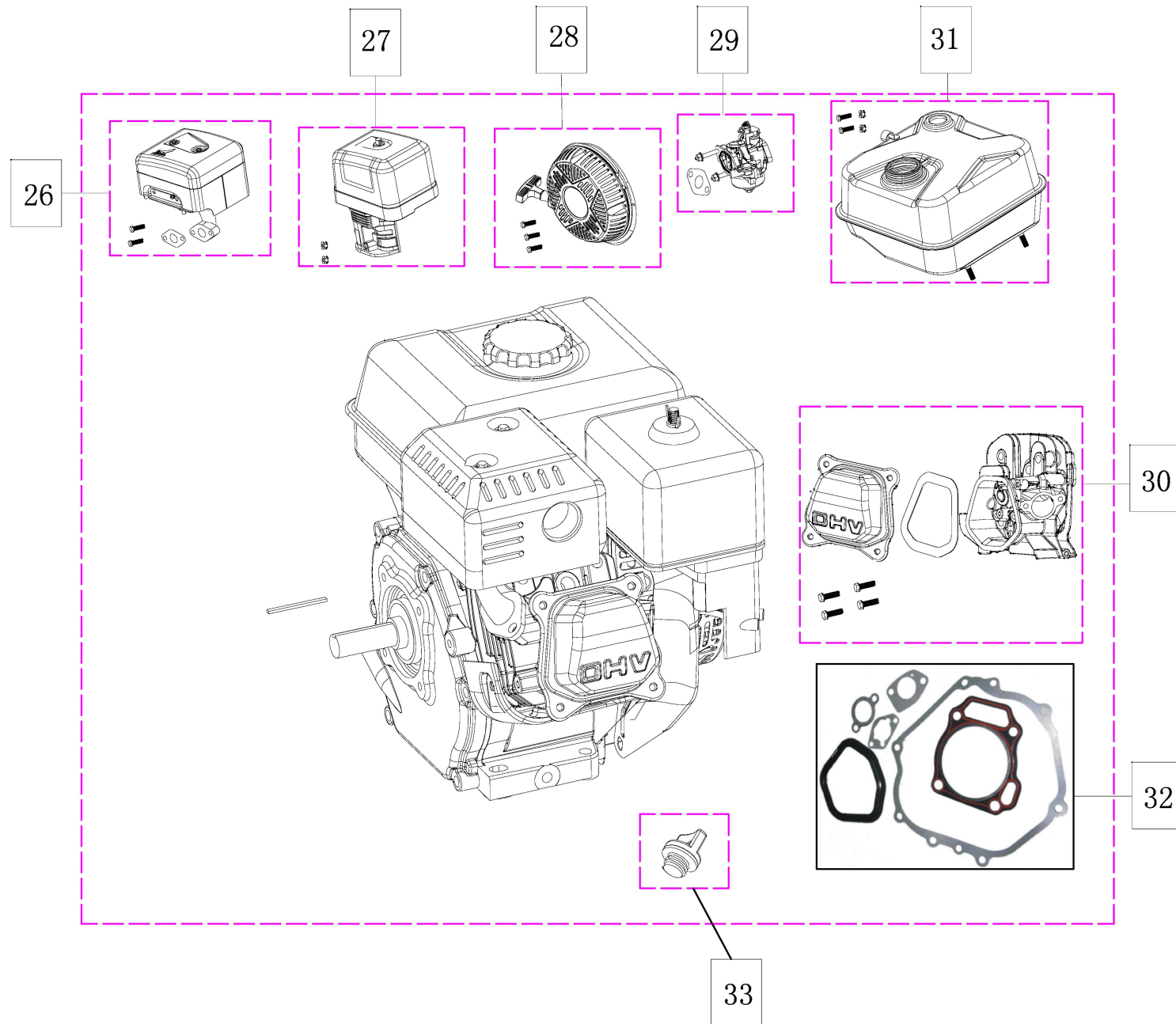


Gxi Commercial Chipper Shredder Exploded View



V1. 4.13.13

BEAST Chipper Shredder Engine Spare Parts Diagram (CH1/CH3/CH4)



MODEL CH1 - Components Diagram Key

Part #	Part Number	Description
1	E06910	Engine Assembly - 420 cc (BLACK) engine DEK Chipper Shredder Model CH1
2	C00306	Clutch Assembly - Model: CH1, CH3, CH4, CH9
3	C03011	Tow Bar (BLACK)
4	C03511	Handleset on funnel (GREY) - Model: CH1, CH3, CH4, CH9
5	C05118	Back Handle on chipper shredder carousel (GREY)
6	C01106	Top Funnel Assembly (BLACK) including the funnel and black/white cover inside (includes labels) - Model: CH1
7	C01006	Side Chute (BLACK) - include labels - Model: CH1, CH5
8	C00506	Blade with hardware - Model: CH1, CH3, CH4, CH9
9	C02710	Chipper Shredder Carousel - BLACK (no wheels) - includes bearing, hammers, pulley but does not include the blades or clutch - Model: CH1
10	Not available	Hardware for engine connect carousel
11	C04813	Chipper Shredder Wheel Axle - Model: CH1, CH3, CH4, CH9
12	C00206	One Pneumatic Tire Wheel - Model: CH1, CH3, CH4, CH9
13	Not available	Plastic Cover for the funnel
14	C01509	Bearing Assembly - BLACK (includes two bolts)
15	C00406	Chipper Shredder Pulley - Model: CH1, CH3, CH4, CH9
16	C04918	Chipper Shredder Wheelbase - GREY (includes base, bolts for carousel)
17	C02510	Chipper Shredder Screen - Model: CH1, CH3, CH4, CH9
18	Not sold separately	Flail Hammers
19	C01206	Discharge Chute Assembly including pins (BLACK)
20	C03311	Engine Belt Tension Block and Bolt
21	C01406	v-Belt for Chipper Shredder
22	C00806	Belt Guard (YELLOW) - Model: CH1
23	C04713	Front Handle on chipper shredder carousel (GREY)
24	Not available	Hardware for chipper shredder
25	C00606	Hardware Bag - Spare blade, chip collection bag, goggles, ear protection, oil fill funnel, spark plug wrench, t-handle hex wrench, wrench 13mm close and open, 17mm and 13mm both open, 10mm and 8mm both open, spare V-belt, Owner's manual, registration card - Model: CH1
26	E01311	Muffler Assembly - 390cc, 401cc, 420cc - EPA approved The muffler assembly includes the muffler, muffler cover, exhaust pipe, bolts, and gaskets.
27	E01911	Air Filter Assembly - 270cc, 390cc, 401cc, 420cc The air filter assembly comes with all the components ready to be assembled. The module includes filter cover, filter media, housing, bolts, and fuel line. This new air filter must ship with breather vent capped with a rubber plug. A label is placed on it.
28	E07109	Recoil Assembly (BLACK) - 401cc, 420cc - Model: CH1, CH3 with 420cc engine, CH4, CH5, CH9
29	E04310	Carburetor Assembly - 420cc - Model: CH1, CH3 with 420cc engine, CH4, CH9 The carburetor assembly includes the carburetor, choke shaft, heat shield, and gaskets. Simply install the carburetor assembly onto the engine head with two bolts.
30	E02210	Cylinder Head Assembly - 420cc - Model: CH1, CH3 with 420cc engine, CH4, CH9 The cylinder head assembly includes the engine head, engine head cover, heat shield, push rods, carburetor mounting stud gaskets, and bolts. The cylinder head can be easily installed to the engine with several bolts.
31	E07011	Fuel Tank Assembly (BLACK) - 390cc, 401cc, 420cc (Sealed and tethered cap with rollover valve installed) 1.584 gallon fuel tank - Model: CH1, CH3 with 420cc, CH4, CH9 The fuel tank assembly (includes tank, shut-off valve, fuel filter, fuel cap) is completely assembled and ready to be connected to the carburetor.
32	E04606	Engine Gaskets Set: 390cc, 401cc, 420cc
33	E06206	Oil Fill Plug

MODEL CH4 - Components Diagram Key

Part #	Part Number	Description
1	E06910	Engine Assembly - 420 cc (BLACK) engine Brush Master Model CH4
2	C00306	Clutch Assembly - Model: CH1, CH3, CH4, CH9
3	C03111	Tow Bar (GREY) - Model: CH3, CH4, CH9
4	C03511	Handleset on funnel (GREY) - Model: CH1, CH3, CH4, CH9
5	C05018	Back Handle on chipper shredder carousel (GREY)
6	C01809	Top Funnel Assembly (GREY) including the funnel and black/white cover inside (includes labels) - Model: CH3, CH4, CH9
7	C02309	Side Chute (GREY) - Oval Opening (includes labels) - Model: CH4, CH9
8	C00506	Blade with hardware - Model: CH1, CH3, CH4, CH9
9	C02610	Chipper Shredder Carousel - GREY (no wheels) - includes bearing, hammers, and pulley but does not include the blades or clutch - Model: CH3 and CH4 with 420cc engine
10	Not available	Hardware for engine connect carousel
11	C04813	Chipper Shredder Wheel Axle - Model: CH1, CH3, CH4, CH9
12	C00206	One Pneumatic Tire Wheel - Model: CH1, CH3, CH4, CH9
13	Not available	Plastic Cover for the funnel
14	C02409	Bearing Assembly - GREY (includes two bolts)
15	C00406	Chipper Shredder Pulley - Model: CH1, CH3, CH4, CH9
16	C04918	Chipper Shredder Wheelbase - GREY (includes base, bolts for carousel)
17	C02510	Chipper Shredder Screen - Model: CH1, CH3, CH4, CH9
18	Not sold separately	Flail Hammers
19	C01909	Discharge Chute Assembly including pins (GREY)
20	C03311	Engine Belt Tension Block and Bolt
21	C01406	v-Belt for Chipper Shredder
22	C02009	Belt Guard (ORANGE) - Model: CH3, CH4, CH9
23	C04713	Front Handle on chipper shredder carousel (GREY)
24	Not available	Hardware for chipper shredder
25	C02216	Hardware Bag - Spare blade, chip collection bag, goggles, ear protection, oil fill funnel, spark plug wrench, t-handle hex wrench, wrench 13mm close and open, 17mm and 13mm both open, 10mm and 8mm both open, spare V-belt, Owner's manual, registration card - Model: CH3, CH4, CH9
26	E01311	Muffler Assembly - 390cc, 401cc, 420cc - EPA approved The muffler assembly includes the muffler, muffler cover, exhaust pipe, bolts, and gaskets.
27	E01911	Air Filter Assembly - 270cc, 390cc, 401cc, 420cc The air filter assembly comes with all the components ready to be assembled. The module includes filter cover, filter media, housing, bolts, and fuel line. This new air filter must ship with breather vent capped with a rubber plug. A label is placed on it.
28	E07109	Recoil Assembly (BLACK) - 401cc, 420cc - Model: CH1, CH3 with 420cc engine, CH4, CH5, CH9
29	E04310	Carburetor Assembly - 420cc - Model: CH1, CH3 with 420cc engine, CH4, CH9 The carburetor assembly includes the carburetor, choke shaft, heat shield, and gaskets. Simply install the carburetor assembly onto the engine head with two bolts.
30	E02210	Cylinder Head Assembly - 420cc - Model: CH1, CH3 with 420cc engine, CH4, CH9 The cylinder head assembly includes the engine head, engine head cover, heat shield, push rods, carburetor mounting stud gaskets, and bolts. The cylinder head can be easily installed to the engine with several bolts.
31	E07011	Fuel Tank Assembly (BLACK) - 390cc, 401cc, 420cc (Sealed and tethered cap with rollover valve installed) 1.584 gallon fuel tank - Model: CH1, CH3 with 420cc, CH4, CH9 The fuel tank assembly (includes tank, shut-off valve, fuel filter, fuel cap) is completely assembled and ready to be connected to the carburetor.
32	E04606	Engine Gaskets Set: 390cc, 401cc, 420cc
33	E06206	Oil Fill Plug