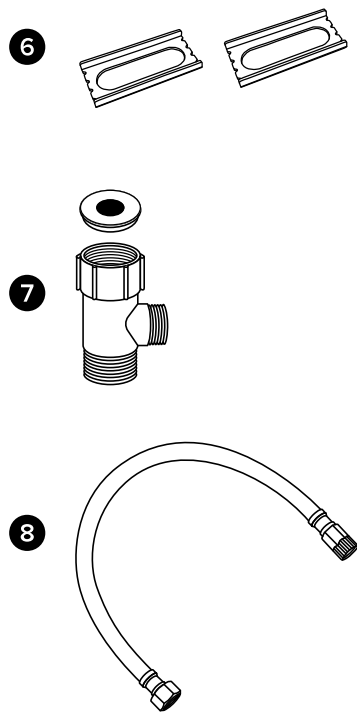
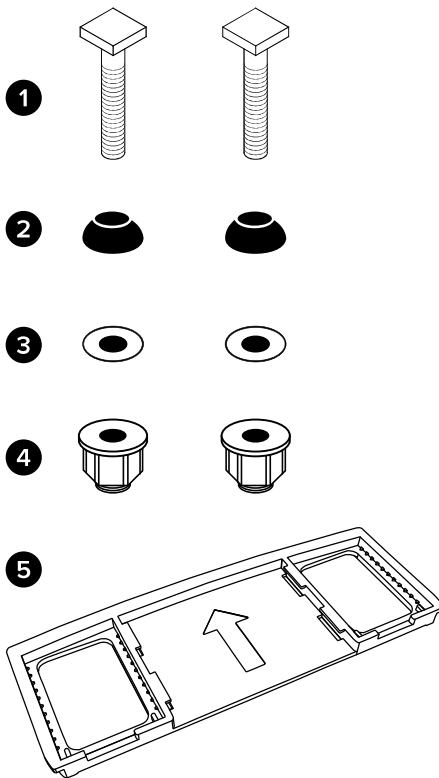


PRODUCT INSTALLATION

## Installation Parts

1. Mounting Bolt (2)
2. Rubber Cone Washer (2)
3. Flat Washer (2)
4. Nuts (2)
5. Mounting Plate
6. Adjustable Brackets (2)
7. T-Valve Connector with Rubber Washer
8. Bidet Hose



## PRODUCT INSTALLATION

# Before Installation



**DO NOT PLUG THE PRODUCT IN WHILE THE UNIT IS UPSIDE DOWN**  
This may cause damage to the internal components.

### WATCH OUR INSTALLATION VIDEO

Installation for all Omigo products can be found online at [MyOmigo.com](https://www.MyOmigo.com)

### CHECK BOLT SPREAD

This bidet seat can only be installed on toilets with a bolt hole spread of 5.25 – 7.45 in. (see Product Dimensions on page 7 for more information).

### CHECK FOR TOP MOUNT INSTALLATION

If your fixture only has top-side access to the mounting bolts that hold the seat to the toilet, you will likely need to purchase the Omigo GS Bidet Seat Top Mount Hardware Kit, found on [MyOmigo.com](https://www.MyOmigo.com).

### CHECK FOR A CONCEALED TOILET FILL VALVE

Many modern toilets have sleek designs intended to cover and camouflage plumbing connections, which make a standard Omigo GS installation difficult or impossible. For this, we recommend using our Alternate Omigo GS Bidet Seat T-valve, found on [MyOmigo.com](https://www.MyOmigo.com).

### CHECK WATER SUPPLY LINE

Check the line that connects the toilet tank to the water shut off valve. If it is a rigid pipe, you may need to purchase a flexible hose to replace it before installing the Omigo GS. The length of the hose and the size of the connectors will vary.

### RESIDUAL MOISTURE IS NORMAL

Every product is tested with pure water during production to ensure the highest quality and performance. It is normal to find a small amount of residual moisture on the product and in the reservoir and filter.

### TOOLS

A Phillips head or standard screwdriver may be needed to remove the existing toilet seat and a standard wrench may be needed for tight water supply connections. Teflon tape can be helpful in creating a water-tight seal between plumbing connections.

## PRODUCT INSTALLATION

# Omigo GS Installation

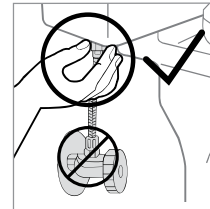
Please read these instructions carefully before installing the Swash. Failure to do so could result in flooding, leaking or damage to the product.

**NOTE:** Steps may vary by type of seat and toilet

- Existing Toilet Seat Removal
  - Lift hinge covers and use a screwdriver to remove the mounting bolts.
  - Remove the toilet seat. Keep for future use.
- Turn Off Water Supply Valve and Flush Toilet
  - Turn water valve off to stop the flow of water.
  - Flush toilet and hold down handle to completely empty tank.
  - Disconnect water supply hose from toilet tank. Do not disconnect from the water supply valve.

### NOTES

- You may wish to place a container under the tank to catch excess water.
- Do not continue without completing the above steps.
- Failure to do so could result in flooding, leaking or damage to the Swash.

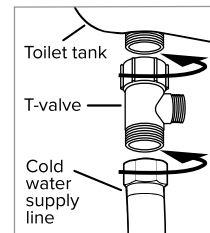


Step 2c

- Connect the top of the T-valve to the incoming water connection on the bottom of your toilet tank.
  - Ensure the rubber washer is placed inside the T-valve against the metal with the raised lip facing the toilet tank connection.
  - Install the T-valve with the rubber washer to the incoming water connection on the bottom of the toilet tank.

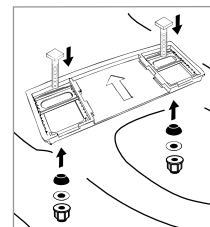
### NOTES

- The T-valve connects to the fill valve directly under your toilet tank - it does not connect at the wall.
- Only connect to the cold toilet water supply line.
- If your water supply line is rigid you may need to replace the water supply line before continuing.



Steps 3-4

- Connect the water supply line coming from the wall to the bottom of the T-valve.
- Install Mounting Plate for Standard Installation
  - Place mounting plate over mounting holes on toilet, rubber side facing down, arrow pointing to the toilet tank.
  - Place adjustable brackets flat side down in the center of the square opening in the mounting plate and insert mounting bolts through adjustable brackets and mounting holes. Be sure that the square mounting bolt head is even with sides of adjustable bracket.



Steps 5b-5c

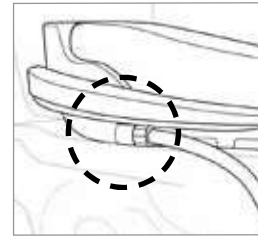
## PRODUCT INSTALLATION

# Omigo GS Installation

- c. Slide rubber cone washer, flat washer, and then nut onto mounting bolts under the toilet bowl and tighten to keep mounting plate in place.

### 6. Connect the Bidet Hose to the Seat

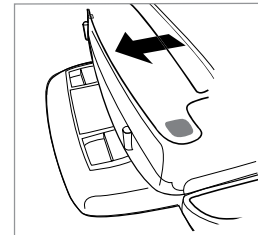
Connect the plastic side of the bidet hose to the water inlet. Hand-tighten to secure. Take care not to twist the bidet hose, excessively bend it, or strip the plastic screw threads when screwing the hose onto the bidet seat.



Step 6

### 7. Attach the Omigo GS to the Mounting Plate

- a. Set the Swash flat on the toilet bowl in front of the mounting plate, and slide seat onto plate until it is secure.
- b. If the seat appears too short or too long for the toilet, adjust the mounting plate accordingly. To adjust the mounting plate, loosen the nuts underneath the toilet and slide seat forward or backwards as needed. Once the seat is lined up properly, tighten the nuts to hold in place.



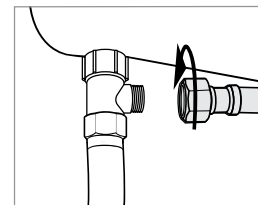
Step 7

### 8. Connect the open end of the Bidet Hose to the T-valve.

### 9. Turn On Water Supply

- a. Open the main water supply valve slowly and check for leaks.
- b. Wait 5 minutes, check again and, if there are no leaks, continue.

10. Plug the Power Cord into an electrical outlet. Nozzle will extend and retract.



Step 8

**NOTE:** Make sure to only use a grounded GFCI (Ground Fault Circuit Interrupter) electrical outlet. In the case of a short circuit, a grounded GFCI outlet may help prevent electric shock or injury.

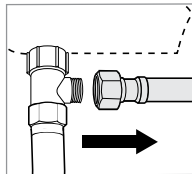
11. Follow instructions on page 16 for using the Omigo GS

## PRODUCT INSTALLATION

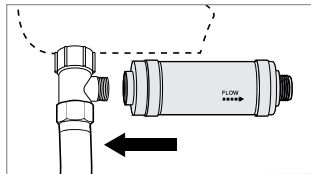
### External Bidet Filter Installation

**NOTE:** Customers with hard water, well water, and softened water can extend the life of their bidet seat by purchasing and installing an external inline water filter to be used with the Omigo GS. The bidet filter should be changed every six months, and can be purchased online at [MyOmigo.com](http://MyOmigo.com).

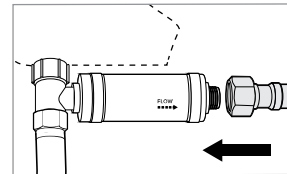
1. Turn Off Water Supply Valve and Flush Toilet.
  - a. Turn water valve off to stop the flow of water.
  - b. Flush toilet and hold down handle to completely empty tank.
2. Disconnect the Bidet Hose from the T-valve.
3. Connect the female end of the In-Line Bidet Water Filter to the open T-valve connection.
4. Connect the Bidet Hose to the male end of the In-Line Bidet Water Filter.
5. Turn the toilet water supply valve back on.



Step 2



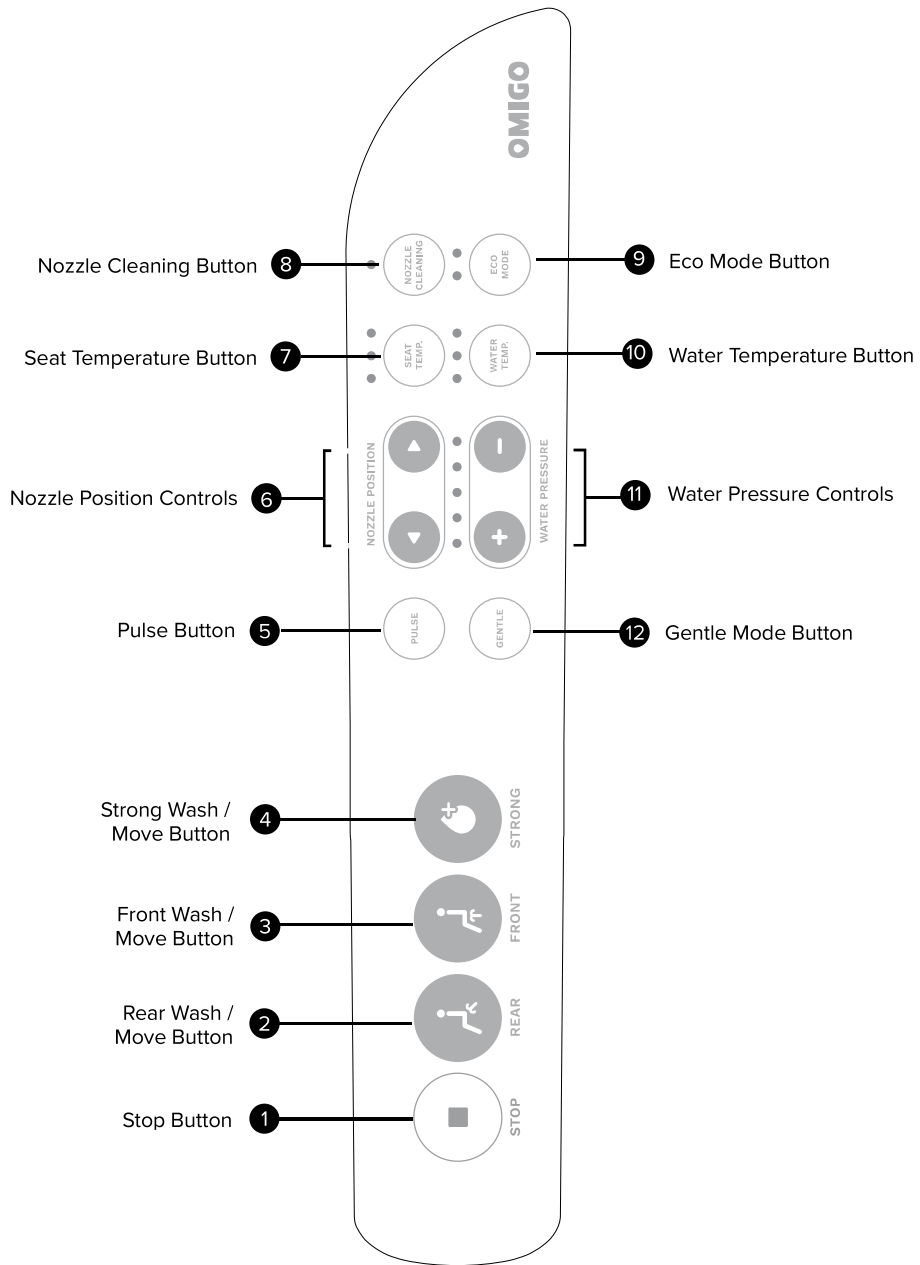
Step 3



Step 4

OPERATING THE OMIGO GS

# Omigo GS Control Panel



## OPERATING THE OMIGO GS

# Omigo GS Control Panel

### 1. Stop Button

Stops all wash and dry functions currently operating.

### 2. Rear Wash / Move Button

Press once to initiate a rear wash. Press again to initiate nozzle oscillation (repetitive forward and backward nozzle movement).

### 3. Front Wash / Move Button

Press once to initiate a front wash. Press again to initiate nozzle oscillation (repetitive forward and backward nozzle movement).

### 4. Strong Wash / Move Button

Press once to initiate a strong wash. Press again to initiate nozzle oscillation (repetitive forward and backward nozzle movement).

### 5. Pulse Button

Pressing this button while a wash is running enables the water to repeatedly increase and decrease in pressure in a pulsating pattern.

### 6. Nozzle Position Buttons

Press the up and down arrow buttons to adjust the nozzle position forward and backward during a wash cycle.

### 7. Seat Temperature Button and Indicators

Press and release the Seat Temp button to adjust the seat temperature to one of four settings (Low: 93.2°F, Medium: 100.4°F, High: 107.6°F, and Off). Settings will be saved for the next use.

### 8. Nozzle Cleaning Button

Press this button to initiate Nozzle Cleaning when not sitting on the seat, or while seat sensor is deactivated. For more nozzle maintenance see page 20.

### 9. Eco Mode Button and Indicator

Press and release the Eco Mode button to select between two energy-saving options (Standard, High-Efficiency). See page 17 for more information.

### 10. Water Temperature Button and Indicators

Press and release the Water Temp button to adjust the outgoing water temperature to one of four settings (Low: 91.4°F, Medium: 96.8°F, High: 102.2°F, and Off). Settings will be saved for the next use.

### 11. Water Pressure Controls

Press the “+” and “-” buttons to increase and decrease the outgoing water pressure to one of five settings. Settings will be saved for next use. For Strong Wash, the highest pressure settings will default for all uses.

### 12. Gentle Mode Button

Press this button to initiate a two-minute gentle wash cycle. See page 16 for more information.

## OPERATING THE OMIGO GS

# Using the Omigo GS

**NOTE:** The wash functions will not work unless the sensor in the seat detects someone sitting down (with the built-in skin conductivity sensor). To override the Seat Sensor, please see the instructions on page 17.

### Prepare for Wash

Sit on the seat to ensure skin-to-seat contact on the Seat Sensor. Once contact is made the water pressure indicator lights will turn on.

### Warm Water Wash

When ready to wash, press the Rear Wash, Front Wash, or Strong Wash button on the control panel one time to initiate a wash. The nozzle will self-clean, extend into the toilet bowl, spray for two minutes, turn off automatically, retract, and self-clean once again.

1. Pressing the Rear Wash, Front Wash, or Strong Wash button a second time while the wash is running will cause the nozzle to oscillate forward and backward, providing a wider range of wash spray. Press again to cancel the Move function.
2. While washing, users can adjust the water temperature, pressure, and nozzle position settings, as well as initiate the Pulse feature by following the notes on page 15.
3. If you would like to stop the wash before the two-minute cycle ends, press the Stop button to discontinue water flow.
4. After extended use the water may decrease in temperature if a Low, Medium, or High water temperature setting is selected. To regain warmer water, stop all wash functions for three minutes to allow the bidet to reheat the water.

### Gentle Mode

All settings within Gentle Mode are 40% softer than standard wash modes.

Once activated, gentle mode will begin a two-minute wash including:

- Full nozzle extension
- Water Pressure set to low
- Front Wash for one minute, Nozzle Oscillation for 30 seconds, then Pulse for 30 seconds



## OPERATING THE OMIGO GS

# Special Mode Operations

### Eco Mode

In this mode, the water in the tank and the seat temperature can be reduced to one of two different energy-saving settings.

**Standard Eco Mode:** Press the Eco Mode button until the yellow indicator light is on for Low energy-saving, and the seat and water temperature will be heated to 89.6 °F. Once a person sits on the bidet, the Omigo GS will revert to the last seat and water temperature settings used. Press the Eco Mode button until there are no indicator lights on to deactivate Eco Mode.

**High-Efficiency Eco Mode:** Press the Eco Mode button until the green indicator light is on for High energy-saving, and the seat and water temperature will turn off when the bidet is not in use. Once a person sits on the bidet, the Omigo GS will revert to the last seat and water temperature settings used. Press the Eco Mode button until there are no indicator lights on to deactivate Eco Mode.

### Sitz Bath Mode

In Sitz Bath Mode, water pressure is switched to the lowest level regardless of the preset water pressure settings. To initiate Sitz Bath Mode, while in a front or rear wash cycle, press the Nozzle Cleaning button. Sitz Bath Mode will automatically run for five minutes. The Nozzle Cleaning LED on the side arm will light up indicating Sitz Bath Mode is on. To stop the Sitz Bath Mode before the end of the five-minute cycle, press the Nozzle Cleaning button.

### Seat Sensor Override

1. To activate the Seat Sensor Override, press and hold the Pulse button for four seconds. A beep will sound to indicate that the seat sensor has been turned off. If the Omigo GS is in Silent Mode, there will not be a beep. The Nozzle Position and Water Pressure lights will stay on as long as Seat Sensor Override is activated.
2. To deactivate the Seat Sensor Override, press and hold the Pulse button for four seconds. Two beeps will sound and the Nozzle Position and Water Pressure lights will turn off.

### NOTES

- Activation or deactivation of Seat Sensor Override is not possible when seated.
- The Omigo GS cannot be put into Silent Mode while Seat Sensor Override is activated.
- Nozzle Cleaning function will not work when Seat Sensor Override is activated. To initiate Nozzle Cleaning you must first deactivate Seat Sensor Override.