



# 7.1 cu. ft. Slide-In Electric Induction Range

KSIB900E



Stainless Steel  
KSIB900ESS

## Key Features & Benefits

### Induction Cooking Elements

Ranges with induction elements use electromagnetic energy to generate instant heat directly to cookware for more precise results.

### Baking Drawer

The separate compartment allows for slow cooking, baking at a different temperature and keeping dishes warm.

### Even-Heat™ True Convection

The unique bow-tie design and convection fan ensure the inside of the entire oven is heated to, and stays at, the perfect temperature.

## Capacity

Oven 7.1 cu. ft.

## General Features & Properties

Steam Rack

7.1 cu. ft. Total Capacity

4 Inductions Elements with Bridge Zone

EasyConvect™ Conversion

FIT System Limited Guarantee\*

AquaLift®

Glass Touch Controls

Side Trim Accessory Kit

SatinGlide® Max Racks

## Electrical Details

Amps 40

Volts 240

## Certifications

ADA Compliant Yes

## Technical Details

Fuel Type	Electric Induction
Range Type	Slide-In Single Oven
Oven Cooking System	True Convection
Number of Oven Racks	3
Cleaning Type	AquaLift® Self-Clean
Number of Elements	4
Element Type	Induction
Element Size/Power	(1) 6" 1800W (2) 7" 2500W (1) 11" 3600W

## Dimensions

Product Dimensions (H x W x D)	36" x 29-7/8" x 28-7/8"
Depth with Door Open 90°	48-3/4"
Cutout Width	30"

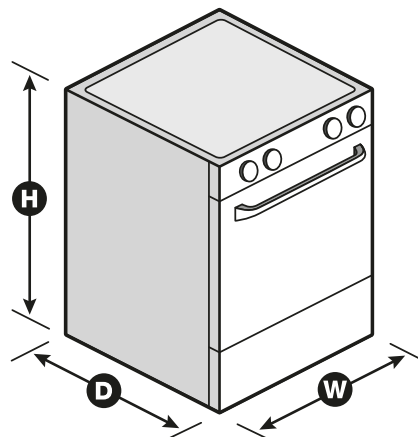
## Reference Material

[Dimension Guide](#)

[Install Guide](#)

[Use & Care Guide](#)

[Warranty](#)



\*Visit kitchenaid.com for complete details.

NOTE: Dimensions are for planning purposes only. For complete details, see Installation Instructions packed with product. Specifications subject to change without notice.

®/™ © 2020. All rights reserved. Printed in the U.S.A. D200052XXB. KSIB900ESPECSHEETV01.