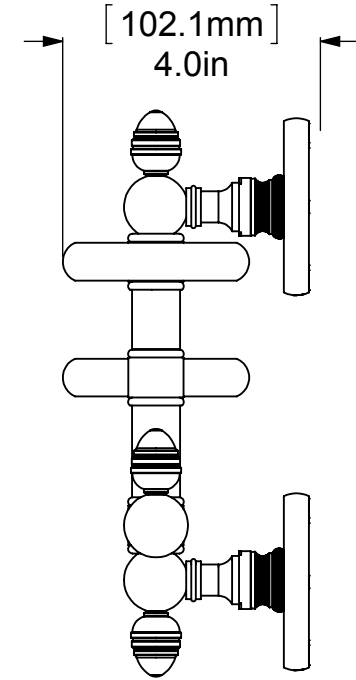
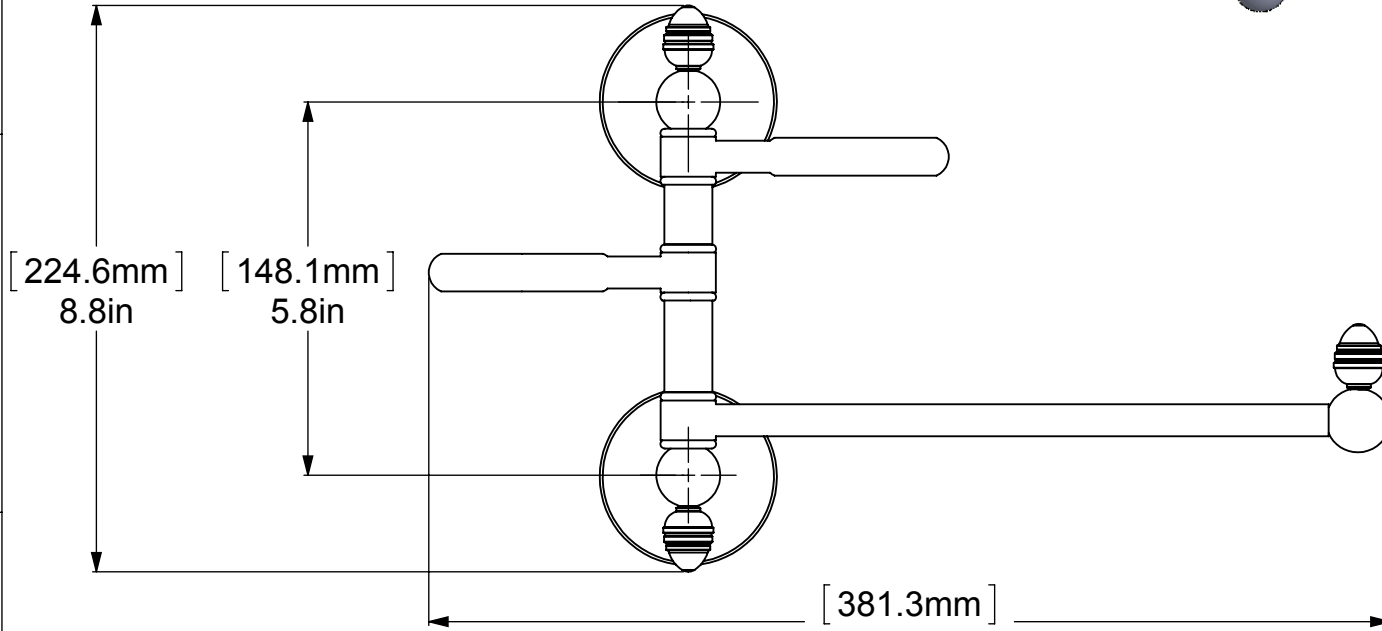


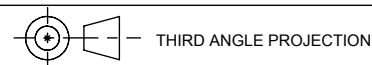
| ITEM NO. | P/N | Description | QTY. |
|----------|--------------|-------------|------|
| 1 | BPRD | BACKPLATE | 2 |
| 2 | NKSL-58 | SUPPORT | 2 |
| 3 | NKSL-78 | NECK | 2 |
| 4 | mr-tilt-fitt | TILT | 3 |
| 5 | CRRD-34 | CHECK RING | 6 |
| 6 | TU34-1.5 | TUBE | 2 |
| 7 | TU12-10 | TUBE | 1 |
| 8 | BL1T-1 | HUB | 1 |
| 9 | KBGT-1 | PEG | 3 |
| 10 | BL2T-1 | HUB | 2 |
| 11 | TU12-1 | TUBE | 2 |
| 12 | HRRD | RING | 2 |



UNLESS OTHERWISE STATED

| | |
|------|---------|
| .X | ±.3mm |
| .XX | ±.15mm |
| .XXX | ±.008mm |

COPYRIGHT © Allied Brass 2016



| | | |
|----------|----------|-----|
| DRAWN | 8/6/2016 | I.M |
| CHECKED | 8/6/2016 | P.D |
| APPROVED | 8/6/2016 | R.A |

| | |
|--------------|-------------------|
| MATERIAL: | BRASS |
| DESCRIPTION: | HAIR DRYER HOLDER |



| | |
|-------------|--------------|
| FINISH | TBD |
| QUANTITY | TBD |
| DRAWING No. | P1000-GTBD-1 |
| REV | 0 |
| SCALE | 1:3 |
| SHEET: 01 | A4 |