


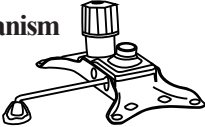
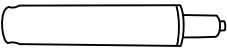

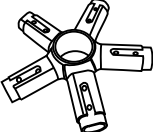

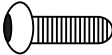





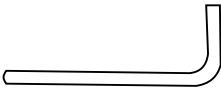




INSTRUCTION MANUAL

Package List

- Without further ado, we kindly suggest you to list all parts needed for the chair first.

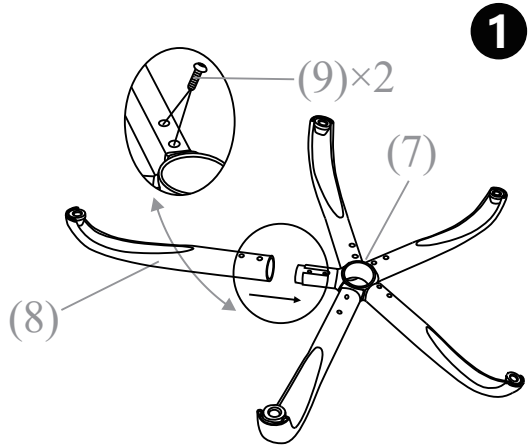
<p>(1)*1 Backrest</p> 	<p>(2)*1 Seat Cushion</p> 	<p>(3)*2 Armrests</p> 
<p>(4)*1 Mechanism</p> 	<p>(5)*1 Gas Lift</p> 	<p>(6)*5 Casters</p> 
<p>(7)*1 Base</p> 	<p>(8)*5 Legs</p> 	<p>(9)*10 Bolts</p> 
<p>(10)*2 Bolts</p> 	<p>(11)*4 Bolt</p> 	<p>(12)*4 Bolts</p> 
<p>(13)*4 Bolts</p> 	<p>(14)*1 base cover</p> 	<p>(15)*1 Wrench</p> 

Assembly Instruction

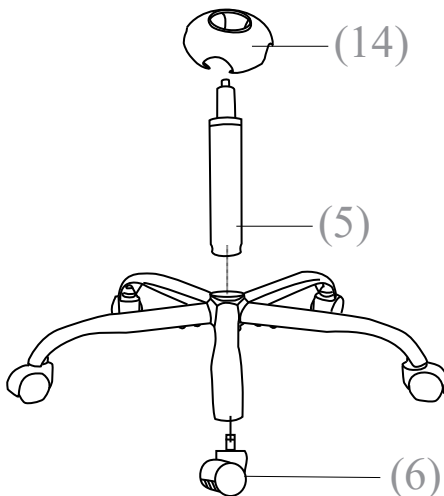
• Step 1:

Turn the Base (7) upside down, then insert Base Legs (8) one by one to the Base.

Next, screw ten Bolts (9) into the pre-drilled holes with the Wrench (14) to attach the base and the legs.



2



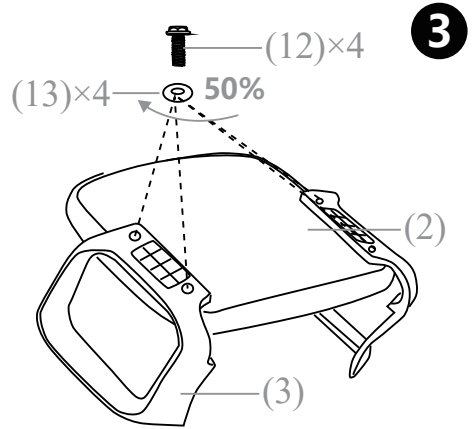
• Step 2:

Press the Casters (6) into the holes at the end of each Base Leg. And then insert the Gas Lift (5) to the base. Finally put on the base cover (14)

• Step 3:

Turn the Seat Cushion (2) upside down and align the hole position of the Armrest (3) with the pre-drilled hole position under the Seat Cushion.

Attach the Armrest (3) to the Seat Cushion (2) with Four Bolts (12) and Four washers (13), using the Wrench (14).



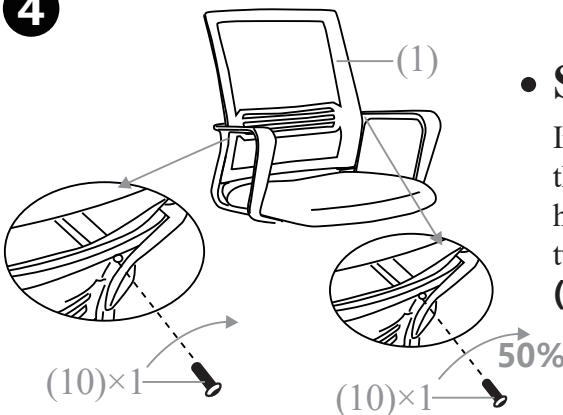
NOTE: Do not tighten all the bolts to 100%, make sure it have space to adjust in the next steps.

The installation of the other side Armrest (3) is the same.

Note 1: The "Front" mark on the Armrests and the "Front" mark on the Seat Cushion should be in the same direction.

Note 2: Armrests are labeled with an "L" (left) or "R" (right) to show which sides they should be placed on.

4

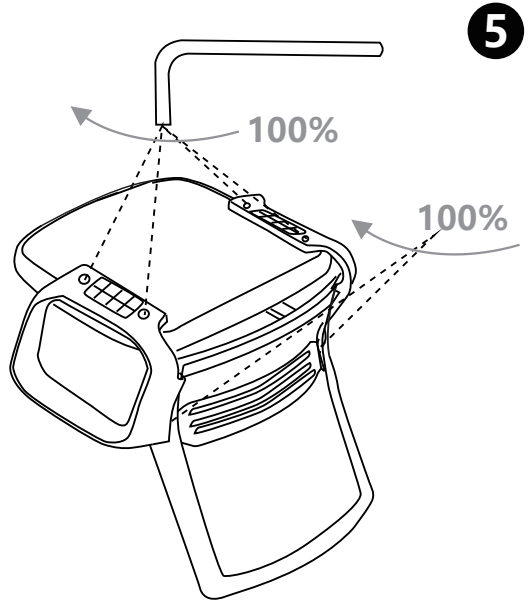


• Step 4:

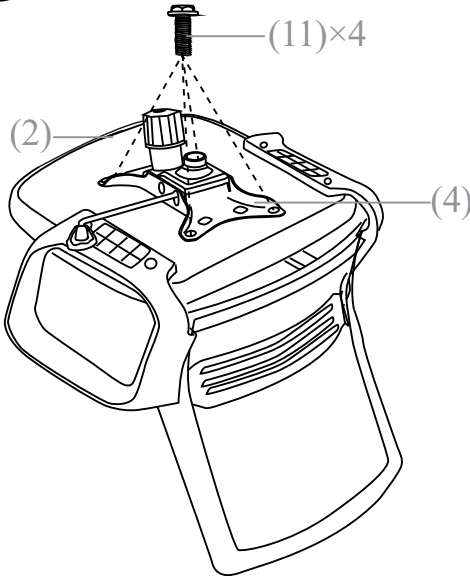
Insert the Backrest (1) and attach the Backrest while aligning the holes on the Armrest (3). Attach two Bolts (10) with the Wrench (14).

• **Step 5:**

Using the Wrench **(14)** to fully tighten all the Bolts **(12)** at this step.



6



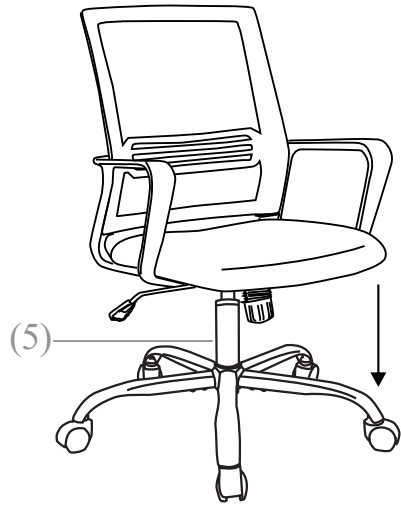
• **Step 6:**

Align the Mechanism **(4)** over the pre-drilled holes underneath the Seat Cushion **(2)**, make sure the front of the mechanism is facing the front of the Seat.

Attach the Mechanism to the Seat with four Bolts **(11)**, and tighten all bolts with the Wrench **(14)**.

• Step 7:

Align the hole at bottom of the seat with the Gas Lift **(5)**, put the body of the chair on the Gas Lift.



Instructions For Use

1. Seat Height: Paddle-shaped lever on the right side



To raise:

While taking your weight off chair, lift lever up.



To lower:

While seated, lift lever up.

* At the proper height, your feet should rest flat on the floor.

Instructions For Use

2. Tilt Tension: Long stem under the seat with knob



To increase tension:
While seated, turn knob forward
(Counter clockwise).



To decrease tension:
While seated, turn knob
backward (Clockwise).

* Set the tilt tension to control the resistance you feel when leaning back.

3. Operating the rocking function



To let your chair tilt back, pull the control handle out.

To stop your chair from tilting, sit forward, then push the control handle in.

Safety And Maintenance

- Do not stand on the chair, Do not use the chair as stepladder.
- Use this product for seating one person at a time.
- Do not use the chair unless all bolts and screws are firmly secured.
- Avoid contact with sharp objects to prevent puncturing the fabric.
- Every 6 months, check all bolts and screws to ensure they are tight.
- To clean, spot clean only using a damp towel and mild cleaner, first test on a small, unseen area of fabric.
- Chair weight limit not to exceed 250 lbs.

Safety Information



Sit in the center of the chair, with your back to the backrest



Do not sit at the front edge of the chair



Do not stand on the chair



Do not use the chair with more than one person



Do not push the chair around when a person is sitting in it



Do not push down on the backrest when a person is reclined



Do not place all your weight on only the backrest