



Charging Station

Model EVSE-RS Plug-in



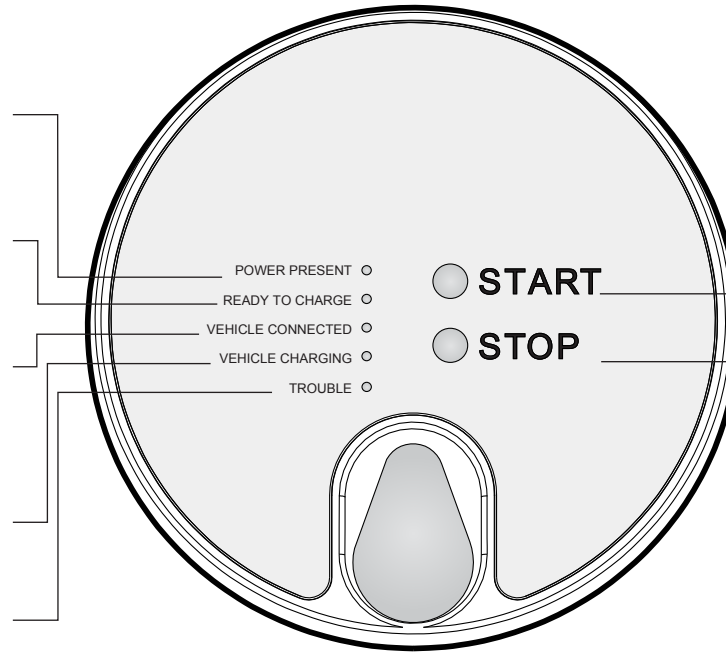
POWER PRESENT
The charging station is receiving AC power.

READY TO CHARGE
The charging station is ready to charge or charging is paused.

VEHICLE CONNECTED
The connector is properly connected to the vehicle port or the charge is complete.

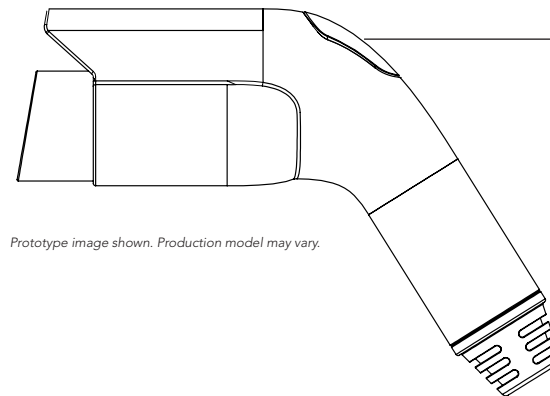
VEHICLE CHARGING
The vehicle is being charged.

TROUBLE
There is an error. Try removing the connector and inserting back into the vehicle. If TROUBLE indicator is still illuminated call Customer Service at 888-833-2148.



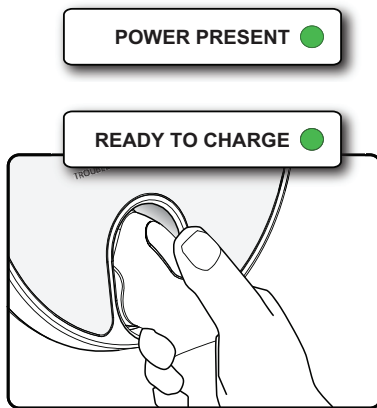
START
Press to resume charging after manual STOP. You do not need to press START in order to begin a regular charge. The POWER PRESENT and READY TO CHARGE lights must be on.

STOP
Press to manually pause charging. You do not need to press STOP to complete a full charge. The device will stop automatically when it reaches full charge.



RELEASE BUTTON
Press to release the Connector from the charging station or the vehicle port.

Prototype image shown. Production model may vary.

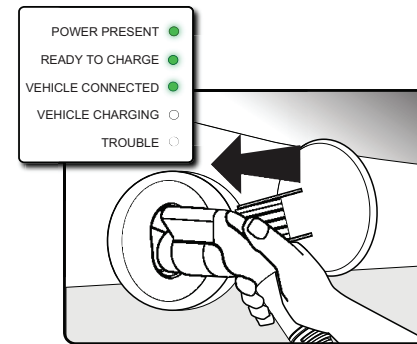


1

Make sure car is in PARK and is turned OFF.

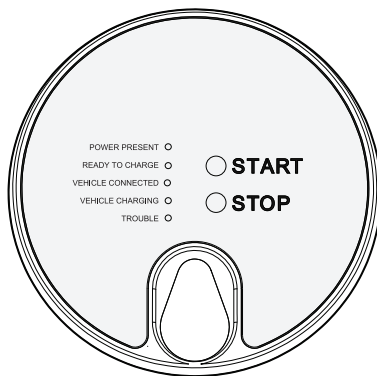
Check that POWER PRESENT and READY TO CHARGE lights are illuminated.

Press the button on the connector to release it from the charging station.



2

Insert connector firmly into the vehicle charge port. When fully inserted, the VEHICLE CONNECTED light on the charging station will illuminate.

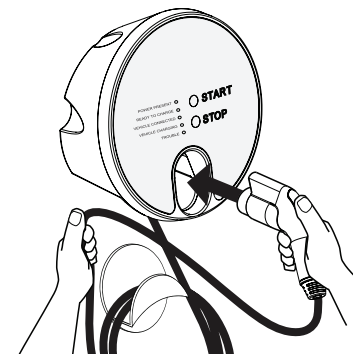


3

Charging will begin automatically. No need to press START.

MANUAL STOP: You can manually pause charging by pressing STOP. You can press START to resume charging.

To stop charging remove the connector from the vehicle charge port.



4

Remove the connector from the vehicle. Rewrap the charging cable around the cable hanger and insert the connector into the charging station for storage.

WARNING: Failure to rewrap cable could result in a hazard.

When using electric products, basic precaution should always be followed, including the following:



WARNING!

- Read all the instructions before using this product
- Children should be supervised when in the vicinity of the charging station
- Do not put finger into the electric vehicle connector
- Do not use this product if the flexible power cord or EV connector are broken, cracked, open, or show any indication of damage
- Shock hazard - make sure the plug is fully inserted into the socket so that there are no exposed plug blade surfaces
- Always shut off power to the receptacle before plugging in or unplugging the charging station

Before charging...

- Is the 'POWER PRESENT' light on?
- Is the 'TROUBLE' light off?

Charge Smarter. Drive Farther.™

To download the full EVSE-RS user guide go to www.evsolutions.com/at_home

For assistance, call (888) 833-2148.