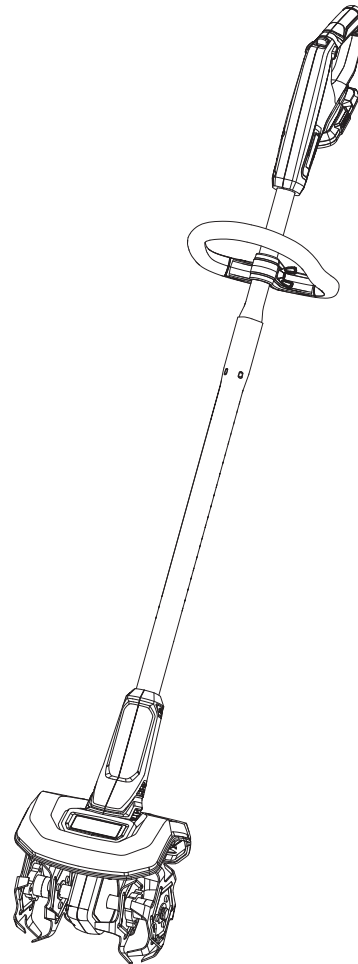


REPAIR SHEET

BRAND RYOBI		DESCRIPTION 18 Volt Cultivator
MODEL NO. P2705VNM	MFG. NO. 108628001	

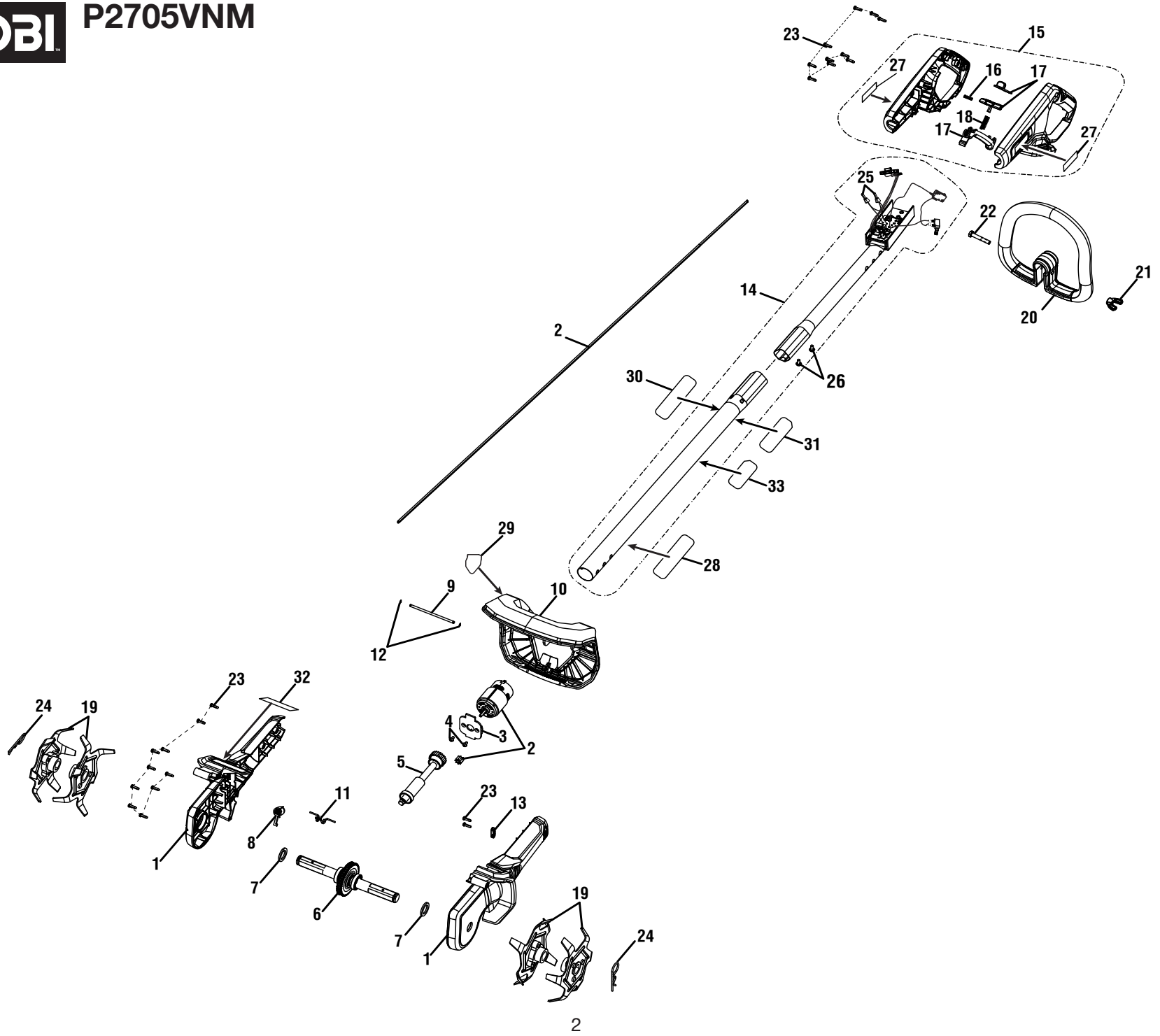


TECHTRONIC INDUSTRIES POWER EQUIPMENT

P.O. Box 1288, Anderson, SC 29622 ■ 1-800-525-2579 ■ www.ryobitools.com

9-2-21 (Rev:07)

The model number and manufacturing location will be found on a label attached to the product. Always mention this information in all communications regarding this product and when ordering parts.



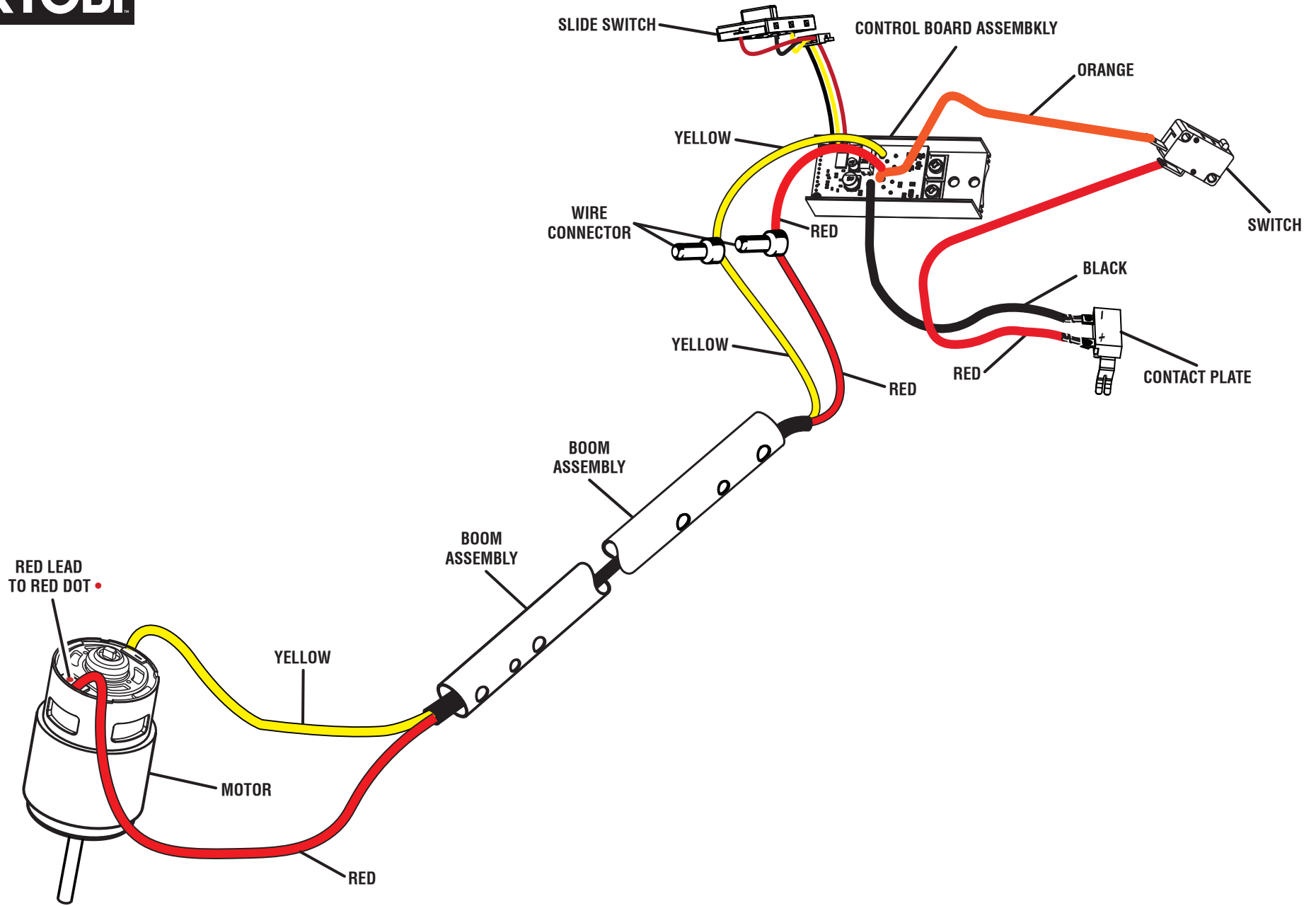


P2705VNM

PARTS LIST

KEY NO.	PART NO.	DESCRIPTION	QTY.
1	205554001	Housing Assembly (Inc. Key No. 32)	1
2	205555001	Motor Assembly	1
3	542228001	Motor Mount	1
4	661861005	Screw (M4 x 7 mm, Pan Hd.)	2
5	205545001	Worm Shaft Assembly	1
6	205544001	Output Shaft Assembly	1
7	565866001	Gasket	2
8	205710001	Lock Bar Assembly	1
9	674207001	Guard Spring Pin	1
10	205575001	Guard Assembly (Inc. Key No. 29)	1
11	699123001	Guard Spring	1
12	673792001	E-Ring	2
13	513211001	Cord Clip	1
14	205556001	Boom Motor Controller and Switch Assembly (Inc. Key Nos. 25, 28, 30-31 & 33)	1
15	205557001	Handle Housing Assembly (Inc. Key Nos. 16-18 & 27)	1
16	699120001	Spring (Safety Trigger)	1
17	205549001	Trigger Assembly	1

KEY NO.	PART NO.	DESCRIPTION	QTY.
18	679055015	Spring (Switch Trigger)	1
19	317936001	Blade Assembly	1
20	538823001	Front Handle	1
21	518949001	Wing Nut	1
22	660643009	Bolt (1/4-20 x 45 mm)	1
23	661817001	Screw (M4 x 13.5 mm, T15 Torx Pan Hd.)	22
24	659849001	Blade Pin	2
25	790021001	Connector	2
26	660502002	Screw (M5 x 8 mm)	2
27	940705490	RYOBI Logo Label (48 mm)	2
28	941263012	Warning Label (FR/SP)	1
29	941263013	Cut Foot/Cut Hand Icon Label	1
30	941263014	Icon Warning Label	1
31	941263015	Data Label	1
32	940705495	RYOBI Logo Label (68 mm)	1
33	941263118	QR Label	1
	Not Shown:		
	998000526	Operator's Manual	



WIRING DIAGRAM