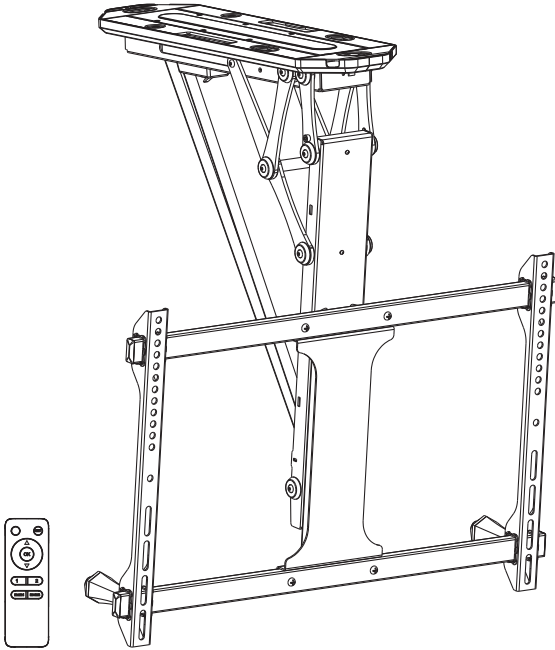


MOUNT-IT!

Installation Manual

SKU: MI-4224

SKU: MI-4224W



Please scan this QR code
to visit the product page.

MOTORIZED TV CEILING MOUNT



HAVE QUESTIONS?

Monday - Friday from 8:00am - 4:00pm PST



support@mount-it.com



(855) 925-5668



www.mount-it.com

Thank you for choosing Mount-It!

EN Read the entire instruction manual before you start installation and assembly. If you have any questions regarding any of the instructions or warnings, please contact Mount-It! for assistance.

- CAUTION:** Use with products heavier than the rated weights indicated may result in instability causing possible injury.
 - Please closely follow the assembly instructions. Improper installation may result in damage or serious personal injury.
 - Safety gear and proper tools must be used. This product should only be installed by professionals.
 - This product is designed to be installed on solid concrete walls, masonry walls or wood stud walls.
 - Make sure that the supporting surface will safely support the combined weight of the equipment and all attached hardware and components.
 - Use the mounting screws provided and DO NOT OVER-TIGHTEN mounting screws.
 - This product contains small items that could be a choking hazard if swallowed. Keep these items away from children.
 - This product is intended for indoor use only. Using this product outdoors could lead to product failure and personal injury.
- IMPORTANT:** Ensure that you have received all parts according to the component checklist prior to installation. If any parts are missing or faulty, contact Mount-It! for a replacement.
- MAINTENANCE:** Check that the product is secure and safe to use at regular intervals (at least every three months).

DE Lesen Sie die gesamte Bedienungsanleitung, bevor Sie mit der Installation und Montage beginnen. Wenn Sie Fragen zur Anleitung oder Warnungen haben, wenden Sie sich bitte an Ihren örtlichen Händler.

- VORSICHT:** Die Verwendung mit Produkten, die schwerer als die angegebenen Nenngewichte sind, kann zu Instabilität führen und zu möglichen Verletzungen führen.
 - Bitte befolgen Sie die Montageanleitung genau. Eine unsachgemäße Installation kann zu Schäden oder schweren Verletzungen führen.
 - Sicherheitsausrüstung und geeignete Werkzeuge müssen verwendet werden. Dieses Produkt sollte nur von Fachleuten installiert werden.
 - Dieses Produkt ist auf massiven Betonwänden oder Mauerwerkswänden zu montieren.
 - Stellen Sie sicher, dass die Auflagefläche das Gesamtgewicht des Geräts und aller angeschlossenen Hardware und Komponenten sicher trägt.
 - Verwenden Sie die mitgelieferten Befestigungsschrauben und die Befestigungsschrauben NICHT ZU FEST ANZIEHEN.
 - Dieses Produkt enthält Kleinteile, die beim Verschlucken eine Erstickengefahr darstellen können. Halten Sie diese Gegenstände von Kindern fern.
 - Dieses Produkt ist nur für den Innenbereich bestimmt. Die Verwendung dieses Produkts im Freien kann zu Produktversagen und Verletzungen führen.
- WICHTIG:** Stellen Sie vor der Installation sicher, dass Sie alle Teile gemäß der Komponenten-Checkliste erhalten haben. Bei beschädigten oder fehlenden Teilen, wenden Sie sich an Ihre Verkaufsstelle, um Ersatz zu erhalten.
- WARTUNG:** Überprüfen Sie das Produkt in regelmäßigen Abständen auf Sicherheit und Stabilität (am besten alle drei Monate).

FR Lisez entièrement le guide d'utilisateur avant de commencer l'installation et la montage. Si vous avez des questions concernant les instructions ou les avertissements, veuillez contacter votre distributeur local pour une assistance.

- ATTENTION:** L'utilisation de produits plus lourds que les poids nominaux indiqués peut entraîner une instabilité causant des blessures potentielles.
 - Les supports doivent être joints comme spécifié dans les instructions de montage. Une mauvaise installation peut entraîner des dommages ou de graves blessures aux personnes.
 - Un équipement de sécurité et les outils appropriés doivent être utilisés. Ce produit devrait être installé uniquement par des professionnels.
 - Ce produit est conçu pour être installé sur des murs avec poteaux en bois, des murs en béton massif ou murs en brique.
 - Assurez-vous que la surface de soutien combine le poids combiné de l'équipement et de tous les matériaux et composants associés.
 - Utilisez les vis de montage fournies et NE SERREZ PAS TROP les vis de montage.
 - Ce produit contient de petites pièces qui peuvent causer un étouffement si elles sont avalées. Éloignez ces pièces des enfants.
 - Ce produit est prévu uniquement pour une utilisation à l'intérieur. L'utilisation de ce produit à l'extérieur peut entraîner une défaillance du produit ou des blessures aux personnes.
- IMPORTANT:** Avant l'installation, assurez-vous que vous avez reçu toutes les pièces selon la liste de vérification des composants. Si une pièce est manquante ou endommagée, téléphonez à votre distributeur local pour qu'il la remplace.
- MAINTENANCE:** A intervalles réguliers (au moins tous les trois mois) vérifiez que le support est d'utilisation sûre et fiable.

RU Перед началом установки и сборки прочитайте руководство по установке. Если у Вас возникли какие-либо вопросы относительно инструкции или предупреждений, свяжитесь с Вашим местным распространителем для получения помощи.

- Внимание:** Использование продукта, вес которых превышает указанный расчетный вес, может привести к неустойчивости и возможным травмам.
 - Опоры должны быть установлены, как это показано в монтажных инструкциях. Неправильная установка может привести к получению серьезных травм.
 - Необходимо использовать предохранительное устройство и специальные инструменты. Продукт должен устанавливаться только профессионалами.
 - Продукт предназначен для установки на деревянные каркасные стены, твердые цементные стены или кирпичные стены.
 - Убедитесь, что несущая поверхность выдержит вес всего установленного оборудования и комплектующих.
 - Необходимо использовать монтажные винты, входящие в комплект поставки, и НЕ ПЕРЕТЯГИВАТЬ монтажные винты.
 - Данный продукт содержит маленькие детали, которые представляют опасность удушья при проглатывании. Такие детали необходимо хранить в недоступном для детей месте.
 - Данный продукт предназначен только для эксплуатации в помещениях. Использование данного продукта на улице может привести к поломке продукта и получению травм.
- ВАЖНО:** Перед установкой убедитесь, что Вы получили все детали в соответствии со списком комплектующих. Если не хватает каких-либо деталей или они поломаны, свяжитесь с Вашим местным распространителем по вопросу замены.
- ТЕХНИЧЕСКОЕ ОБСЛУЖИВАНИЕ:** Необходимо регулярно проверять (как минимум, раз в три месяца), чтобы крепежный был зафиксирован, и его использование было безопасным.

ES Lea todo el manual de instrucciones antes de comenzar la instalación y ensamblaje de la unidad. Si tiene alguna inquietud con respecto a las instrucciones o advertencias, comuníquese con su distribuidor local.

- PRECAUCIÓN:** utilizar con productos de mayor peso al indicado en los límites de peso podría ocasionar inestabilidad y posibles heridas personales.
 - Los soportes deben aislarse tal como se indica en las instrucciones de ensamble. Una incorrecta instalación podría ocasionar daños y serias heridas personales.
 - Utilice las herramientas y equipo de seguridad adecuados. Este producto solo debe ser instalado por profesionales.
 - Este producto está diseñado para instalaciones en paredes de madera sólida, concreto sólido o bloques.
 - Asegúrese de que la superficie de fijación sostenga de manera segura el peso total del equipo y todos sus componentes y hardware.
 - Utilice los tornillos de ensamble suministrados y NO aplique demasiada tensión a los tornillos.
 - Este producto contiene piezas pequeñas que representan un riesgo de asfixia. Mantenga estas piezas fuera del alcance de los niños.
 - Este producto está diseñado para uso en interiores solamente. Utilizar este producto en exteriores podría ocasionar fallas y heridas personales.
- IMPORTANTE:** Asegúrese de que haya recibido todas las piezas según la lista de verificación de componentes para la instalación. Si falta alguna de las partes, o está dañada, comuníquese con su distribuidor.
- MANTENIMIENTO:** Compruebe periódicamente que el soporte esté asegurado y listo para usar (al menos cada tres meses).

PT Leia todo o manual de instruções antes de iniciar a instalação e montagem. Se você tiver alguma dúvida sobre quaisquer uma das instruções ou avisos, por favor, entre em contato com o seu distribuidor local para assistência.

- ATENÇÃO:** O uso com produtos mais pesados do que os pesos indicados pode resultar em instabilidade, causando possíveis danos.
 - Os suportes devem ser anexados como especificado nas instruções de montagem. A instalação incorreta pode causar danos ou sérias lesões pessoais.
 - Equipamentos de segurança e ferramentas adequadas devem ser utilizadas. Este produto só deve ser instalado por profissionais.
 - Este produto é projetado para ser instalado em pilares verticais de paredes de madeira, paredes de concreto sólido ou de tijolos.
 - Certifique-se que a superfície de suporte suportará com segurança o peso combinado do equipamento e todas as ferragens e componentes anexados.
 - Use os parafusos de montagem fornecidos e NÃO APERTE EXCESSIVAMENTE os mesmos.
 - Este produto contém pequenas peças que podem causar asfixia se ingeridas. Mantenha esses itens longe do alcance de crianças.
 - Este produto destina-se somente para uso interno. Usá-lo em ambiente externo pode causar falhas no produto e lesões pessoais.
- IMPORTANTE:** Assegure-se que você recebeu todas as peças, de acordo com a lista de componentes, antes da instalação. Se alguma peça estiver faltando ou é defeituosa, contate o seu distribuidor local para substituição.
- MANUTENÇÃO:** Certifique-se que o suporte seja seguro e protegido para o uso em intervalos regulares (pelo menos a cada três meses).

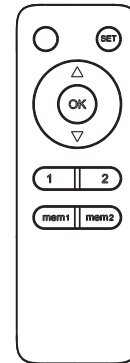
This mount is powered by electricity. Please use caution to avoid burns, fire and electrical shock hazards. Please read the warnings and safety instructions in this manual before using this product.

Warnings

- This TV mount is operated by a powerful motor that is designed to lift and lower the arm and the attached TV. The person operating the mount must be knowledgeable with the operation of the mount; must be aware of pinch points and must ensure the area surrounding the mount and the TV is clear of persons and objects. Failure to understand and follow safety precautions might cause injury and property damage.
- Ensure the TV mount power cord and the cables for the TV are kept clear of the moving parts.
- Do not disassemble the product. Electrical shock risk.

Electrical Safety Instructions

- Use the TV mount only with the power cord and the power supply system provided. Do not make alterations to the power system.
- Do not operate the unit a damaged power cord or a power plug. Contact Mount-It! Customer Support team to purchase replacements for any damaged parts.
- Do not install or operate the unit in wet or extremely high humidity environments.
- Don't clean the product while the power is still connected.
- Do not disassemble or replace components while the power is still connected.
- Unplug the mount if it will not be used for a prolonged period. Keep the power plug out of reach of children.



remote control

Remote Control Operation Instructions

A. Button Functions

1. Raising/Lowering

Press the up "▲" button and the mount will raise to the highest position.

Press the down "▼" button and the mount will move down to the lowest position.

Press the OK "OK" button to stop the mount at any point.

2. Memory Setting

Press the "mem1" or "mem2" button for 1 seconds and you will hear a beep, indicating that the current position has been saved to memory. The "mem1" "mem2" buttons can each store a different position.

3. Recall Memory

Press the "1" or "2" button and the mount will automatically move to the position saved in the corresponding button "mem1" or "mem2".

4. Reset Mode

Disconnect the power supply cord. Wait for 10 seconds and reconnect. Then press and hold the OK "OK" button for 5 seconds. The mount will retract to the highest position and stop. The system has now been successfully reset.

5. Set the Movement Range for Angled Ceilings

The TV Mount has a 0°-75° degree range by default. On an angled ceiling the maximum angle needs to be reduced by following these steps.

Prepare: Reset the system using the instructions on A. Button Functions - 4. Reset Mode.

Step 1: Press the down "▼" or up "▲" arrows and stop the mount with the OK "OK" button when it reaches the lowest position just before the strap starts to go slack.

Step 2: Press and hold the mem1 "mem1" button until the unit beeps once. Repeat this step 5 times. The unit will emit a long beep to indicate success.

Note: Steps 1 and 2 need to be completed within 2 minutes or the entire process will need to be restarted.

Note: The remote control is powered by two AAA batteries (not included.)

B. Manual Mode

In any position (except when the mount is fully raised against the ceiling), push the TV back up toward the ceiling mount and the mount will automatically begin retracting the rest of the way to the highest position against the ceiling.

C. Pairing the Remove Control to the Control Box

Step 1: When the mount is powered on, press the small button on the control box with a thin tool as shown. The unit will emit a beep, indicating that the control box is on standby for remote pairing.

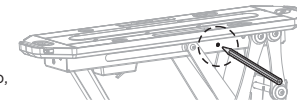
Step 2: Press the SET "SET" button on the remote control and the control box will repeatedly beep for approximately 10 seconds indicating that the remote control is being paired. The process will be finished automatically when the beeping stops.

Note: The TV mount can be paired with up to 20 remote controls. To clear the stored memory of all remote controls, press and hold the small button on the control box for 5 seconds then release. The process is complete when you hear two beeps indicating the memory has been cleared.



Disposal:

The product with this mark indicates that this product shouldn't be disposed of with other household waste. To prevent possible harm to the environment or human health from uncontrolled waste disposal, recycle it responsibly. To dispose of your used device, please contact or visit your local recycling center.



TROUBLESHOOTING

If a problem arises, please try the troubleshooting guidelines below. If the problem is not listed, please contact Mount-It! for additional technical assistance.

1. The mount beeps constantly or is making an abnormal noise.

- Reset the system: Press and hold the "OK" button for 5 seconds. The mount will retract to the highest position, and the reset is complete.
- If the beeps or noise continue please contact Mount-It! for more assistance.

2. The TV mount stops moving during operation and emits a long beep.

- Check to see if a foreign object is impeding the mount from moving. If so, remove the obstruction.
- The weight of TV may exceed the maximum weight limitation of the mounting system.
- Reset the system: Press and hold the "OK" button for 5 seconds. The mount will retract to the highest position, and the reset is complete. If the problem persists please contact Mount-It! for more assistance.

3. The mount emits 2 short beeps, then stops.

Weight Capacity/Over-current protection: Ensure the mount is not over the weight capacity, then raise and lower the mount continuously for 2 minutes until the mount stops moving. Unplug the power cable and wait approximately 20 minutes for the motor to cool, then plug it back in. The mount should resume normal operation.

4. The mount emits 2 sets of 2 short beeps.

The Mount is Overextended and needs to be reset: Disconnect the power adaptor then plug it in again, next press and hold the "OK" button on the remote for 5 seconds. The mount will retract to the highest position, and the reset is complete.

5. The mount emits 3 sets of 2 short beeps.

Operating Fault or Signal Error: Please contact Mount-It! for further assistance.

6. The mount emits 4 sets of 2 short beeps.

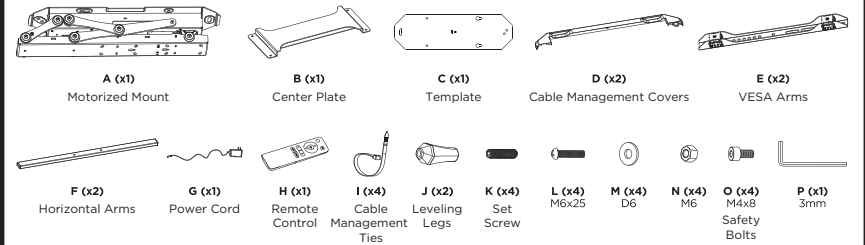
Mount strap is misaligned or stuck: Press the "Δ" button to raise the mount to the highest position, if it will not move or will not fully raise it will need to be reset, press and hold the "OK" button for 5 seconds. The mount will retract to the highest position, and the reset is complete. If the mount still will not move, or is stuck in the highest position the belt may be stuck. Please contact Mount-It! for assistance to manually reset the belt.

Remote Control

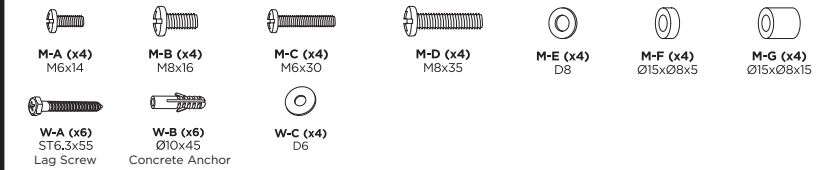
- The remote control may be too far and not in range of the mount. The maximum operating range for the remote control is 10 feet (3m).
- The batteries in the remote control may be low or empty. Replace the batteries.
- The remote control may be defective. Check to see if the indicator LED found on the remote lights up when a button is pressed. If the problem persists contact Mount-It! for additional assistance.

Mount and Accessories

35kg
(77lbs)
RATED



Mounting Hardware

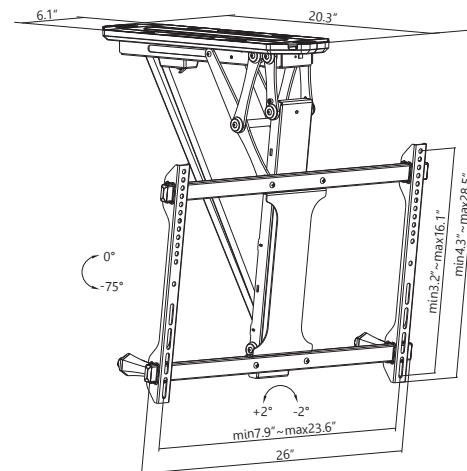


Check carefully to make sure there are no missing or defective parts. Some hardware provided may not be used. Use the correct mounting hardware suitable for your installation.

CHOKING HAZARD. Package includes small parts.
Not for children under 3 years. Adult supervision is required.

Missing Parts? Call us at (855) 925-5668 and we will ship replacement parts free of charge.

DIMENSIONS & WEIGHT CAPACITY



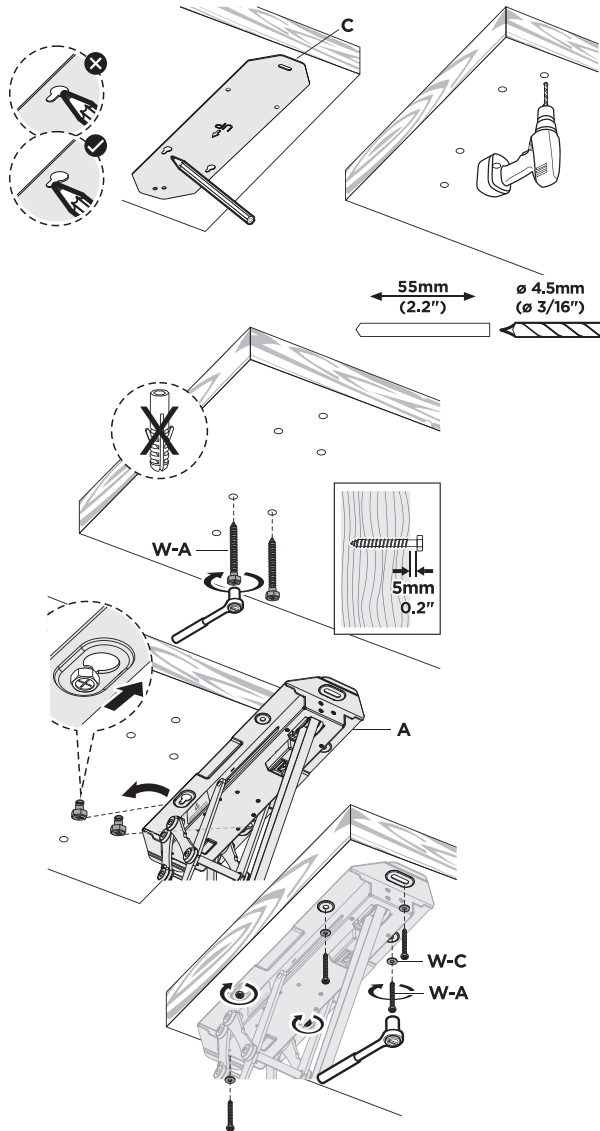
Rated weight capacity is 77lbs for the mount.

Caution:
Ensure all mounting surfaces are capable of holding the weight of your mount.
DO NOT EXCEED MAXIMUM LISTED WEIGHT CAPACITY. SERIOUS INJURY OR PROPERTY DAMAGE MAY OCCUR!

Step 1a

Wood Surface Installation Option

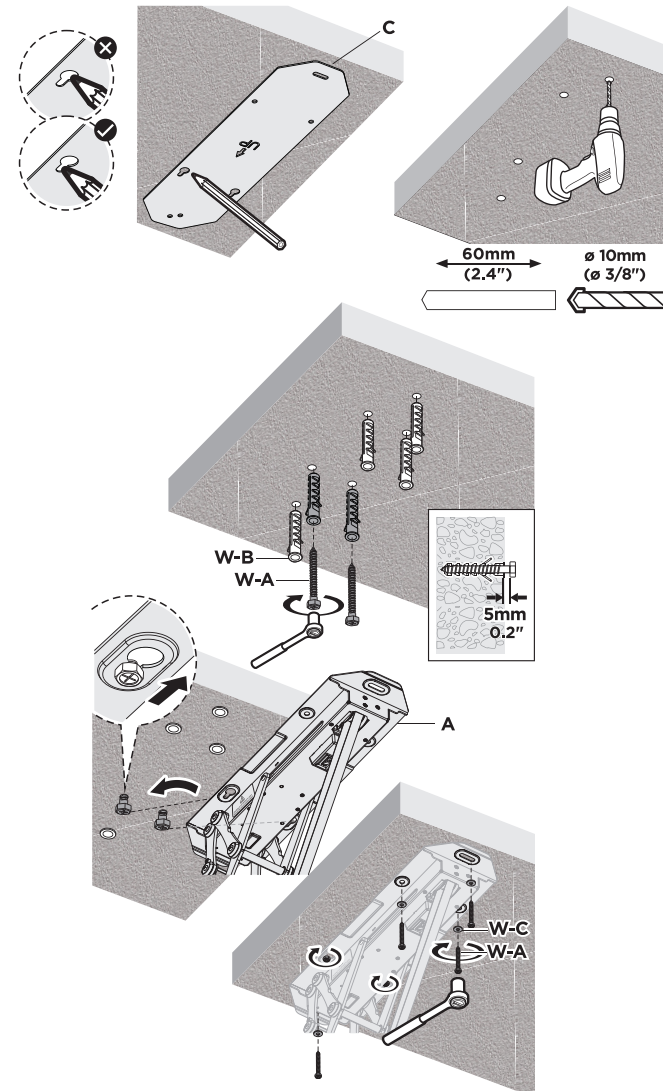
- Hold the Wall Template (#C) in the desired location for installation and use a pencil to mark the locations of the 6 holes through the template.
- Drill a hole in the marked locations using a 3/16" (4.5mm) drill bit to a depth of 2.2" (55mm).
- Install the 2 Lag Screws (#W-A) into the locations shown that correspond with the 2 keyhole shaped holes on the mount, and do not fully tighten the Lag Screws. Leave a gap of approximately 0.2" (5mm) between the ceiling and the bottom of the screw head.
- Hang the Motorized Mount (#A) on the two Lag Screws and slide it forward so that the Screws rest in the smaller end of the channel.
- Install the remaining 4 Lag Screws (#W-A) and Washers (#W-C).



Step 1b

Concrete or Stone Surface Installation Option

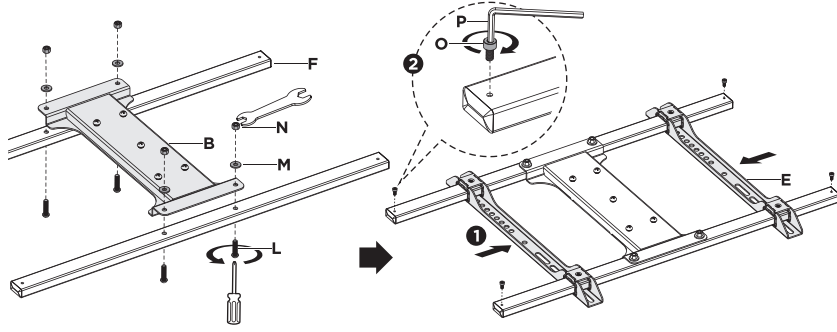
- Hold the Wall Template (#C) in the desired location for installation and use a pencil to mark the locations of the 6 holes through the template.
- Drill a hole in the marked locations using a 3/8" (10mm) drill bit to a depth of 2.4" (60mm).
- Insert all 6 Concrete Anchors (W-B) into the holes. Install the 2 Lag Screws (#W-A) into the locations shown that correspond with the 2 keyhole shaped holes on the mount, and do not fully tighten the Lag Screws. Leave a gap of approximately 0.2" (5mm) between the ceiling and the bottom of the screw head.
- Hang the Motorized Mount (#A) on the two Lag Screws and slide it forward so that the Screws rest in the smaller end of the channel.
- Install the remaining 4 Lag Screws (#W-A) and Washers (#W-C).



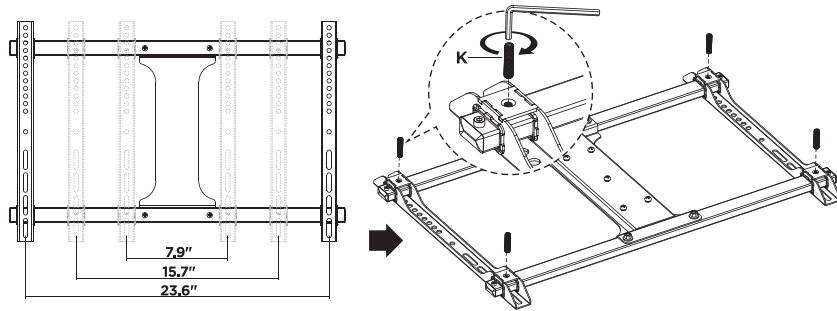
Step 2

Assemble the VESA Plate

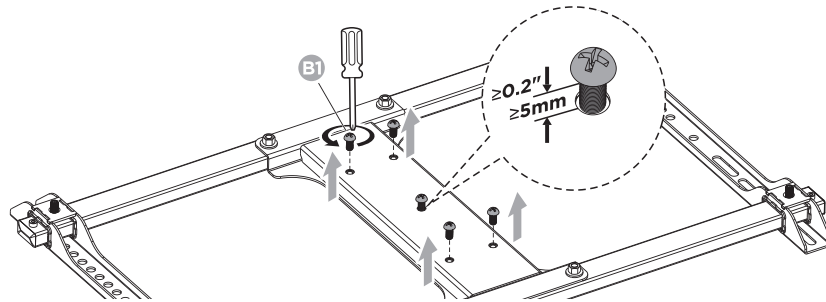
- Connect the Center Plate (#B) to the two Horizontal Arms (#F) using Bolts (#L) through the TV facing side as shown here, and secured on the opposite side using Washers (#M) and Nuts (#N).
- Slide the VESA Arms (#E) onto opposite sides of the Horizontal Arms and insert Safety Bolts (#O) into the hole on each end of the Horizontal Arms as shown, so that the VESA Arms can no longer slide back off the poles.



- Position the VESA arms at the appropriate width for your TV's VESA pattern and fix the arms in place by inserting and tightening the Set Screws (#K) into the back of the VESA Arms.
- Note: The VESA arms should be centered on the horizontal arms so that they are equal distances on each side from the center.**



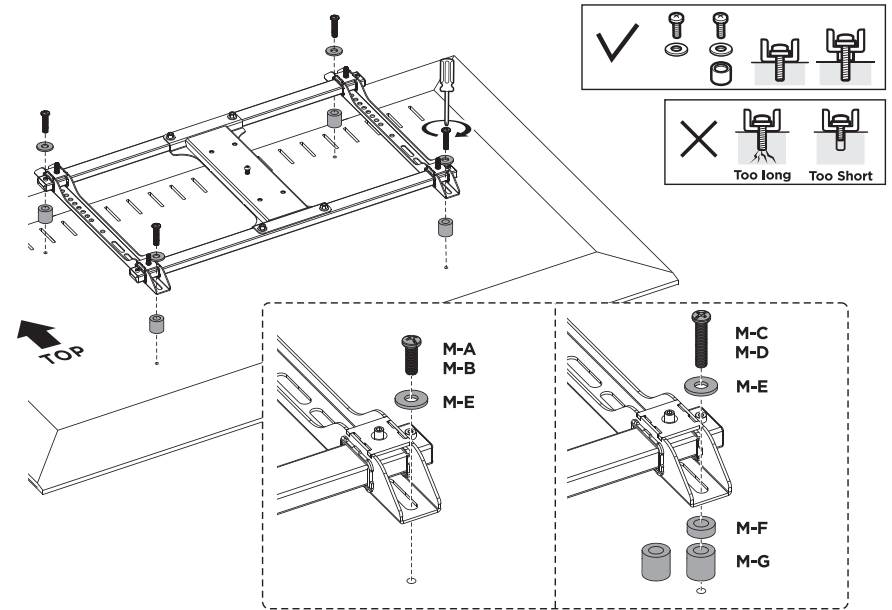
- Remove the 4 bolts from the back of the Center Plate (shown here) and keep them for later use in Step 4. Loosen the middle bolt leaving a gap of approximately 0.2" between the plate and the bottom of the bolt head.



Step 3

Attach the VESA Plate to the TV

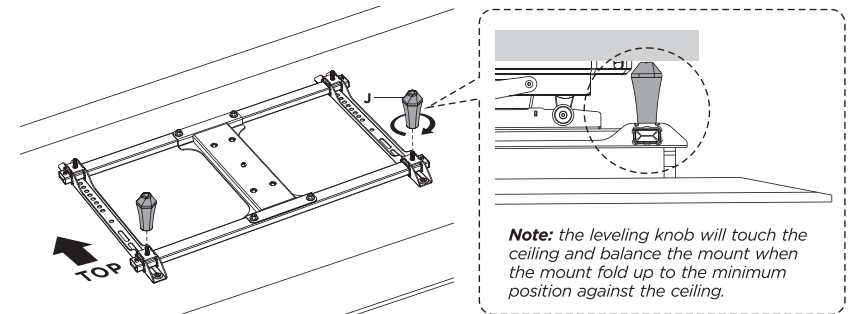
- Select the appropriate size mounting bolt (Select one size #M-A, M-B, M-C, or M-D) for your display's mounting holes and verify the length of the VESA bolt is not too long. If you are unsure of the correct bolt size for your display refer to your display's user manual or contact the display's manufacturer for sizing information. If necessary, use the included spacers (#M-F or M-G) between the mount and the screen as shown above to adjust the length of the mounting bolt. Multiple spacers can be used in combination to achieve the desired bolt depth. Attach the VESA Plate using the selected bolts and tighten until secure. Do not overtighten. Square Washer (M-E) must be used in all configurations.



Step 4

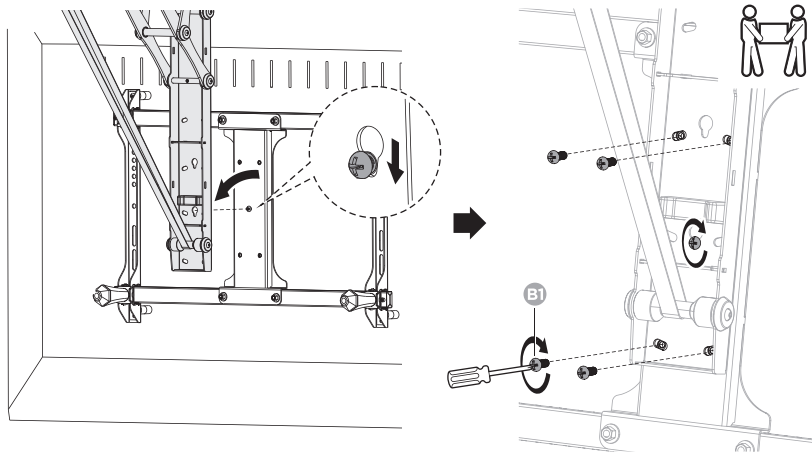
Leveling and Securing the TV

- Attach the Leveling Legs onto the end of the lower two protruding Set Screws. These knobs should both touch the ceiling when in the fully retracted position to level the TV and mounting arm mechanism.

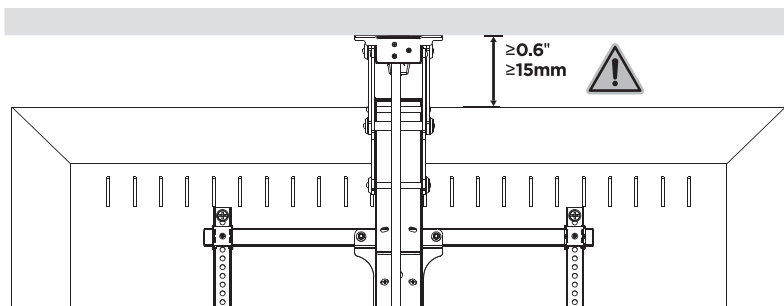


• Hang the TV onto the front of the Mount and ensure that the bolt is fully lowered into the smaller end of the keyhole shaped channel. Re-install the four bolts (removed in step 2) as shown to secure the VESA plate to the mount. These 4 bolts can be used to level the screen as needed by setting the level of the screen before fully tightening these bolts.

Tip: Multiple keyholes are provided to vertically adjust the placement of the TV relative to the ceiling. Use the lower keyhole for larger TVs to create greater clearance between the top of the TV and the ceiling.



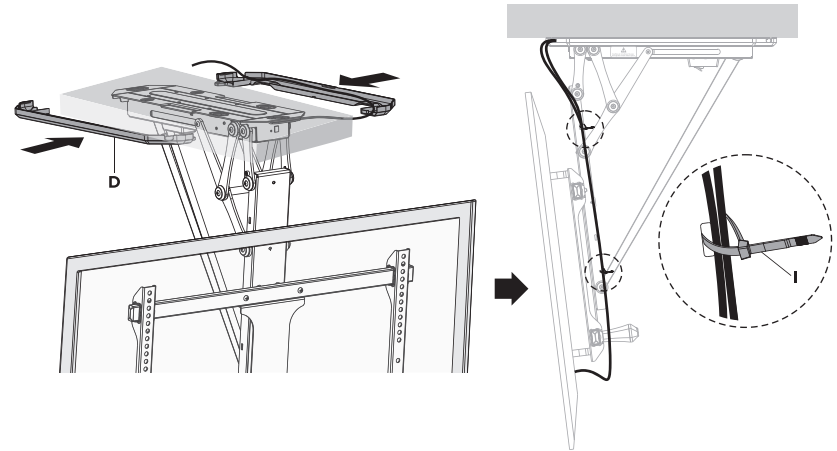
Caution: Ensure there is a minimum gap of 0.6" (15mm) between the ceiling and the top of your TV. Failure to do so may result in damage to the TV or Motorized Mount.



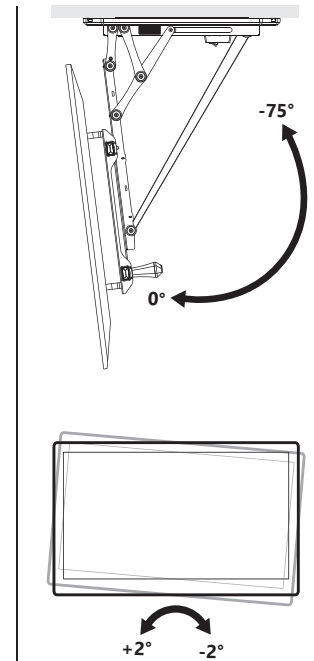
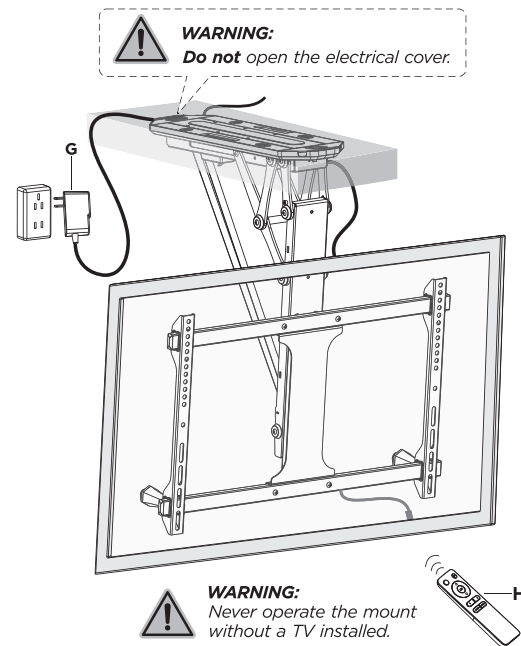
Step 5 Cable Management

• Run any cables through the channels on the Cable Management Covers (#D) and slide the covers into place when done. Use the Cable Management Ties (#I) in the locations shown to keep cables secure and out of the way of the motorized arm. Leave slack in the cable ties so that the cables do not pull tight when the motorized arm moves.

Warning: Keep cables and objects clear of moving parts at all times.



Step 6



Visit us at www.mount-it.com for product registration and warranty information.

Our US based customer service team is standing by to answer any questions you have about your Mount-It! product.

Available by phone **Monday - Friday from 8:00am to 4:00pm** PST.

Chat live with an agent on our website!



support@mount-it.com



(855) 925-5668



www.mount-it.com