

ASSEMBLY INSTRUCTIONS

# RESIN GARDEN SHED

SKU: T-PS23-0404-810BG

BE  
YOUR  
LIFE BUILDER

[www.patiowell.com](http://www.patiowell.com)



**Patiowell**  
Resin Garden House  
Installation Tutorial  
[https://www.patiowell.com/  
pages/video-T-PS23-0404-810BG](https://www.patiowell.com/pages/video-T-PS23-0404-810BG)

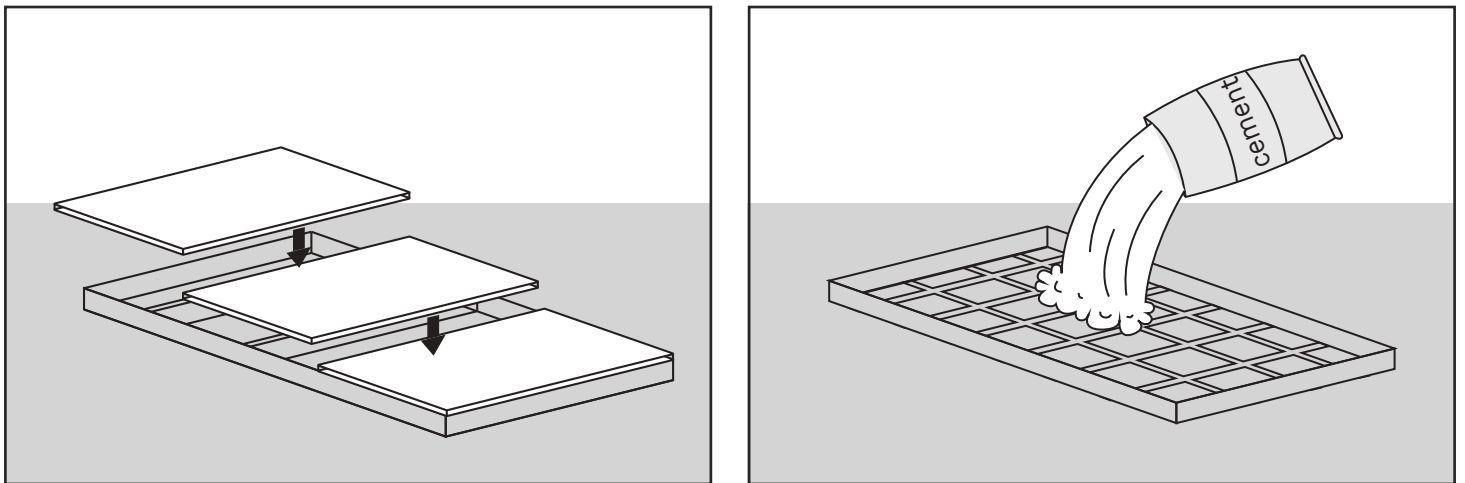
 [saleservice@patiowell.com](mailto:saleservice@patiowell.com)

# SITE PREPARATION

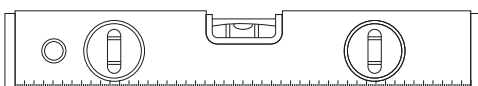
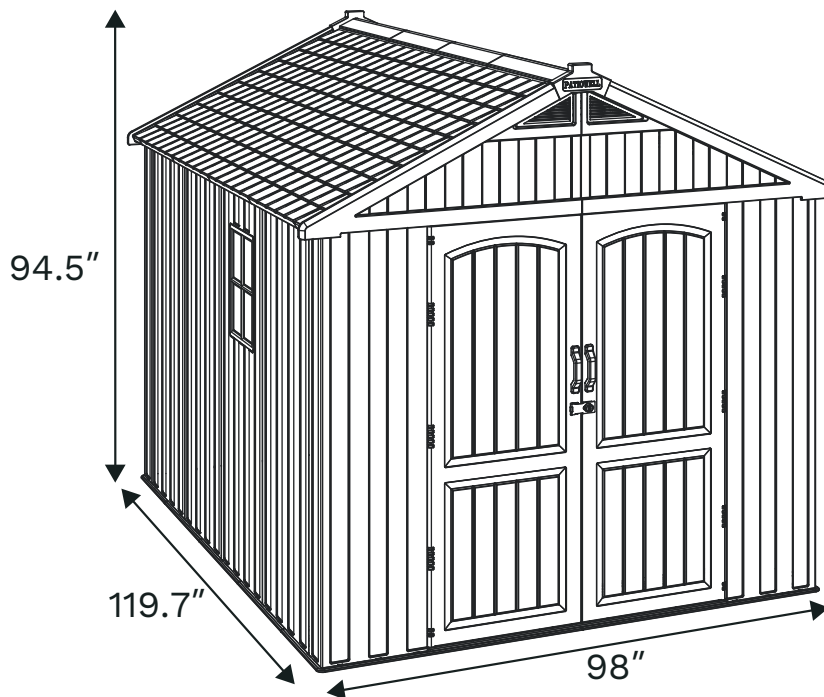
Level the ground surface.



Recommendation: Construct a wooden or concrete base as a foundation.



The external dimensions of the product :



Before installation, please measure the ground with a tool and make sure the ground is level before installation.

## BEFORE STARTING ASSEMBLY

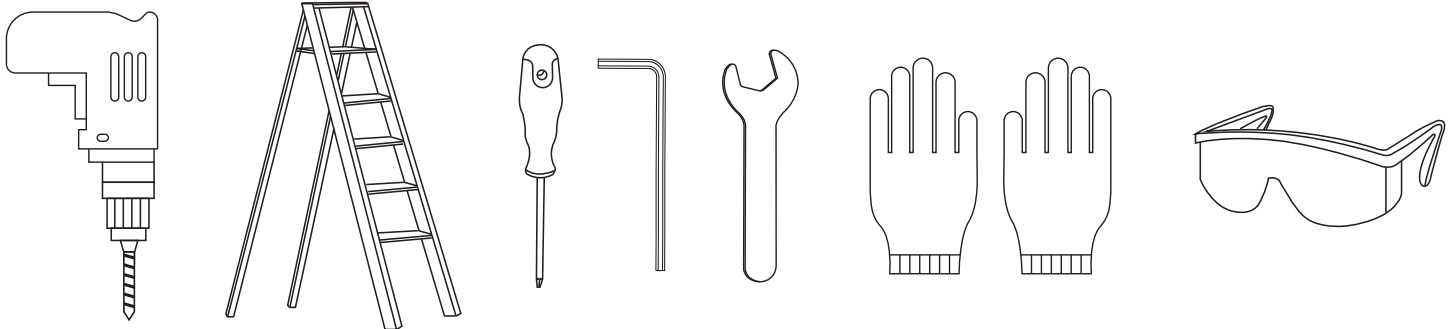
Remove all of the pieces from the 6 packages and spread them out on the ground. Before installation, please check the type and quantity of parts first.

It is recommended to use a clean work surface to spread the parts out and for pre-assembly steps. Review all instructions before you begin, continue to refer to instructions during assembly.

Be sure to follow all steps thoroughly.

Please prepare these components in advance at the beginning of each stage.

## REQUIRED TOOLS



## CAUTION

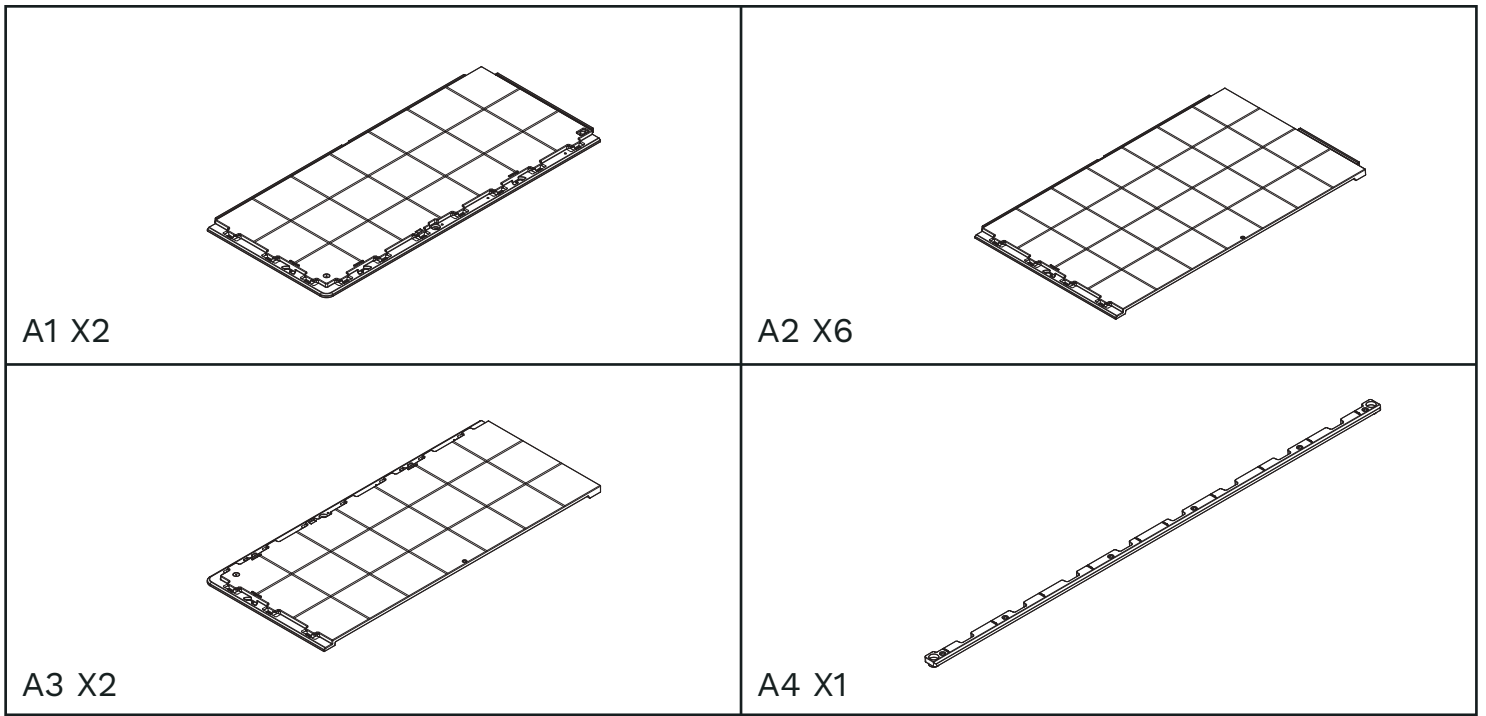
Some parts have steel edges. Please be careful when handling components. Always wear work gloves, eye protection and long sleeves when assembling or performing any maintenance on your shed. Do not attempt assembly on days with strong winds or low temperatures.



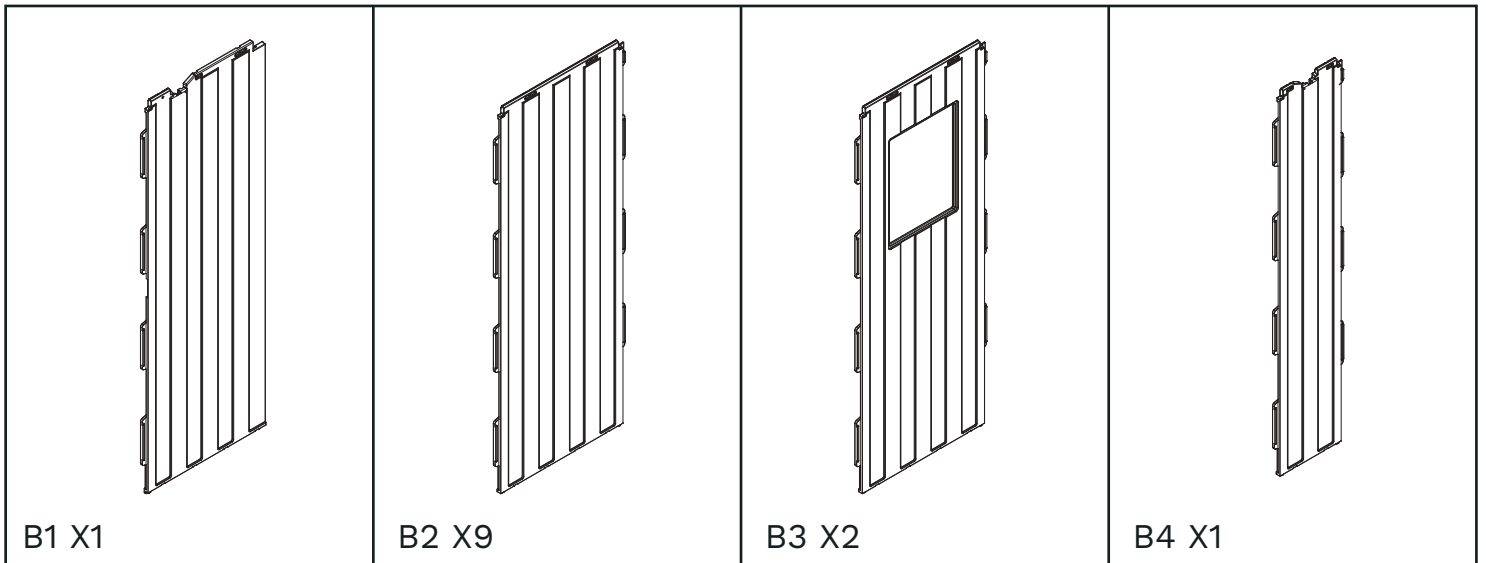
Requires two people and takes 2-3 hours for Installation. Recommended to wear gloves to avoid scratches. Please read the manual carefully before installation.

**DO NOT RETURN YOUR UNIT  
TO THE STORE**  
Contact us first  
[saleservice@patiowell.com](mailto:saleservice@patiowell.com)

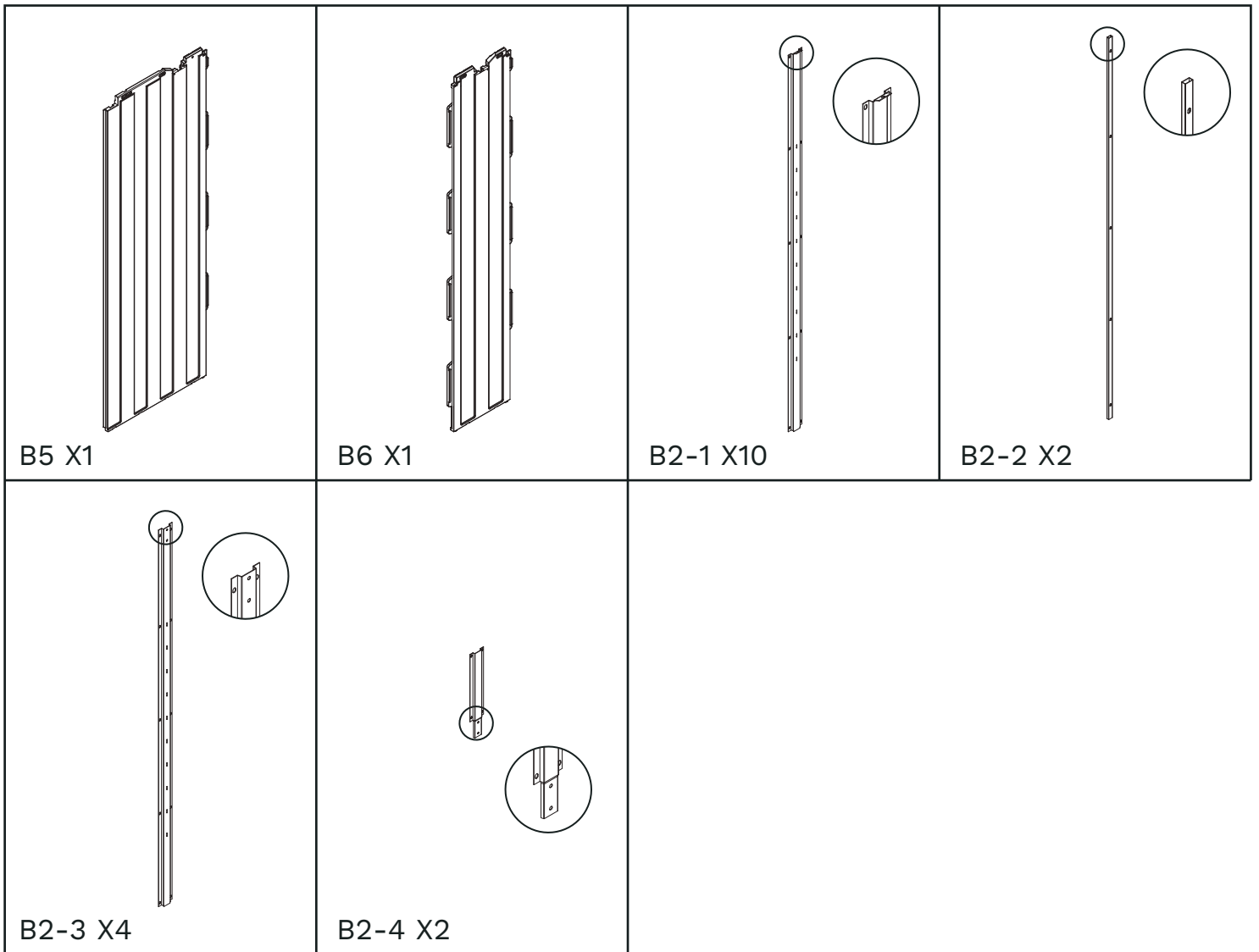
# FLOOR PARTS



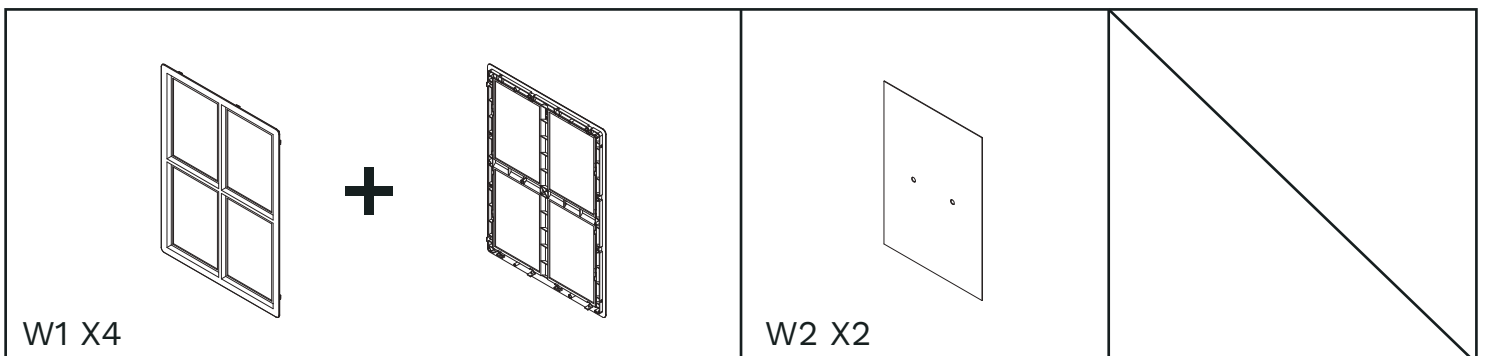
# WALL PARTS



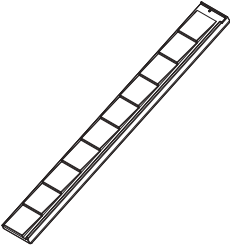
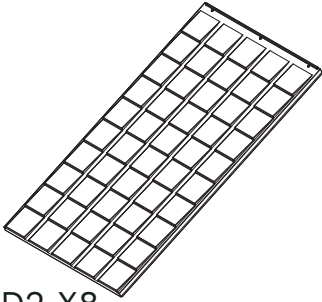
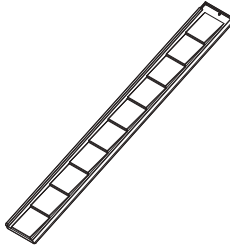
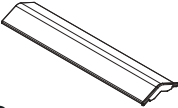

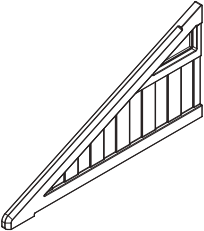

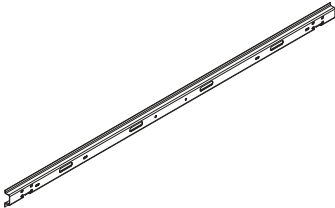

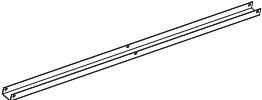
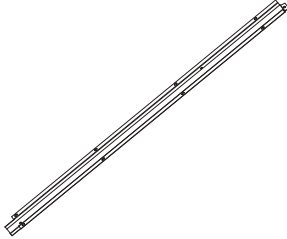
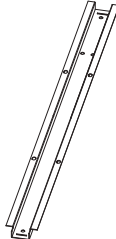
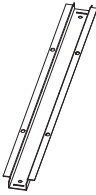

# WALL PARTS




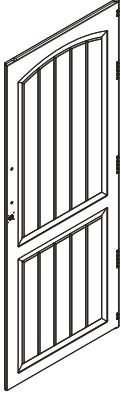


# WINDOW PARTS



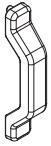


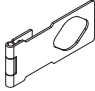



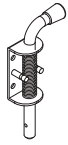
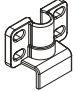

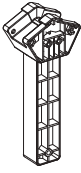
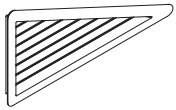
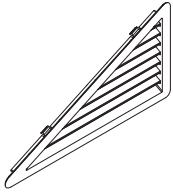


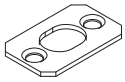

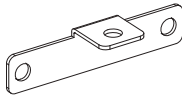
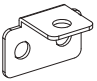


# ROOF PARTS

 <p>D1 X2</p>	 <p>D2 X8</p>	 <p>D3 X2</p>	 <p>E1 X2</p>  <p>E2 X2</p>
 <p>CL X2</p>	 <p>CR X2</p>	 <p>DD X1</p>	 <p>D2-1 X6</p>
 <p>D2-2 X3</p>	 <p>D2-3 X4</p>	 <p>E1-1 X2</p>	 <p>E2-1 X2</p>
 <p>D2-4 X2</p>			























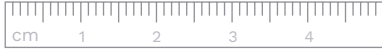







# DOOR PARTS

 <p>DL X1</p>	 <p>DR X1</p>	 <p>DF X2</p>	 <p>DZ X2</p>
--	--	--	--

# ACCESSORIES

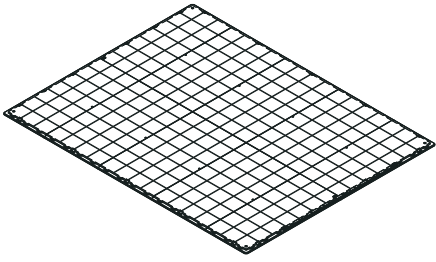
 <p>DH1 X2</p>	 <p>DH2 X2</p>	 <p>DG X2</p>	 <p>+</p>  (3pcs) M4*10  <p>+</p>  (4pcs) M4*16 <p>DS X1</p>
 <p>DC X1</p>	 <p>DDZ X2</p>	 <p>E3 X2</p>	 <p>E4 X3</p>
 <p>CRI X2</p>	 <p>CLI X2</p>	 <p>D4 X16</p>	 <p>A5 X2</p>
 <p>A1-1 X1</p>	 <p>B1-1 X2</p>	 <p>D2-5 X2</p>	 <p>D2-6 X6</p>
 <p>M6 X50</p>	 <p>Z6 X10</p>		

# SCREW

 166 pcs SP6-15 M6*15	 	 193 pcs SP6-20 M6*20	 
 22 pcs SP6-25 M6*25	 	 4 pcs M6-10 M6*10	 
 24 pcs M6-15 M6*15	 	 21 pcs M6-55 M6*55	 
 16 pcs SPF6-20 M6*20	 	 2 pcs SF4-15 M4*15	 
 11 pcs M5-8 M5*8	 	 8 pcs M5-12 M5*12	 

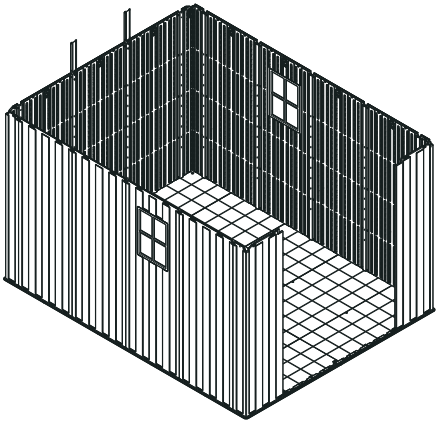


# CONTENTS



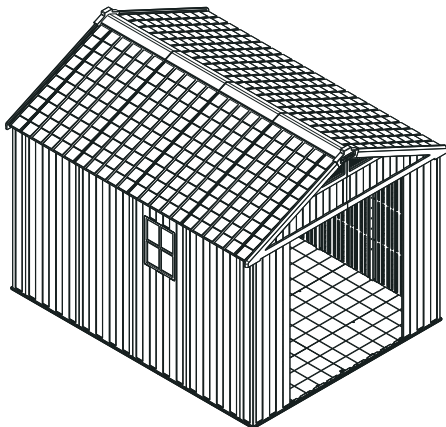
Floor Part Instruction

10-16  
(page)



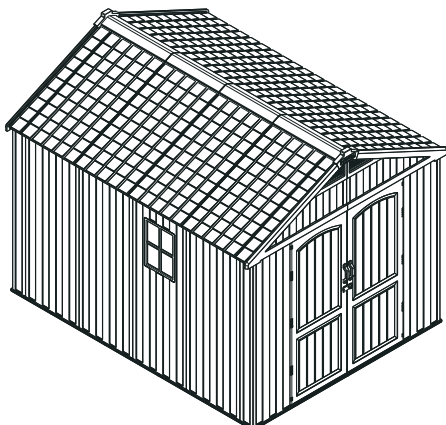
Wall Part Instruction

16-29  
(page)



Roof Part Instruction

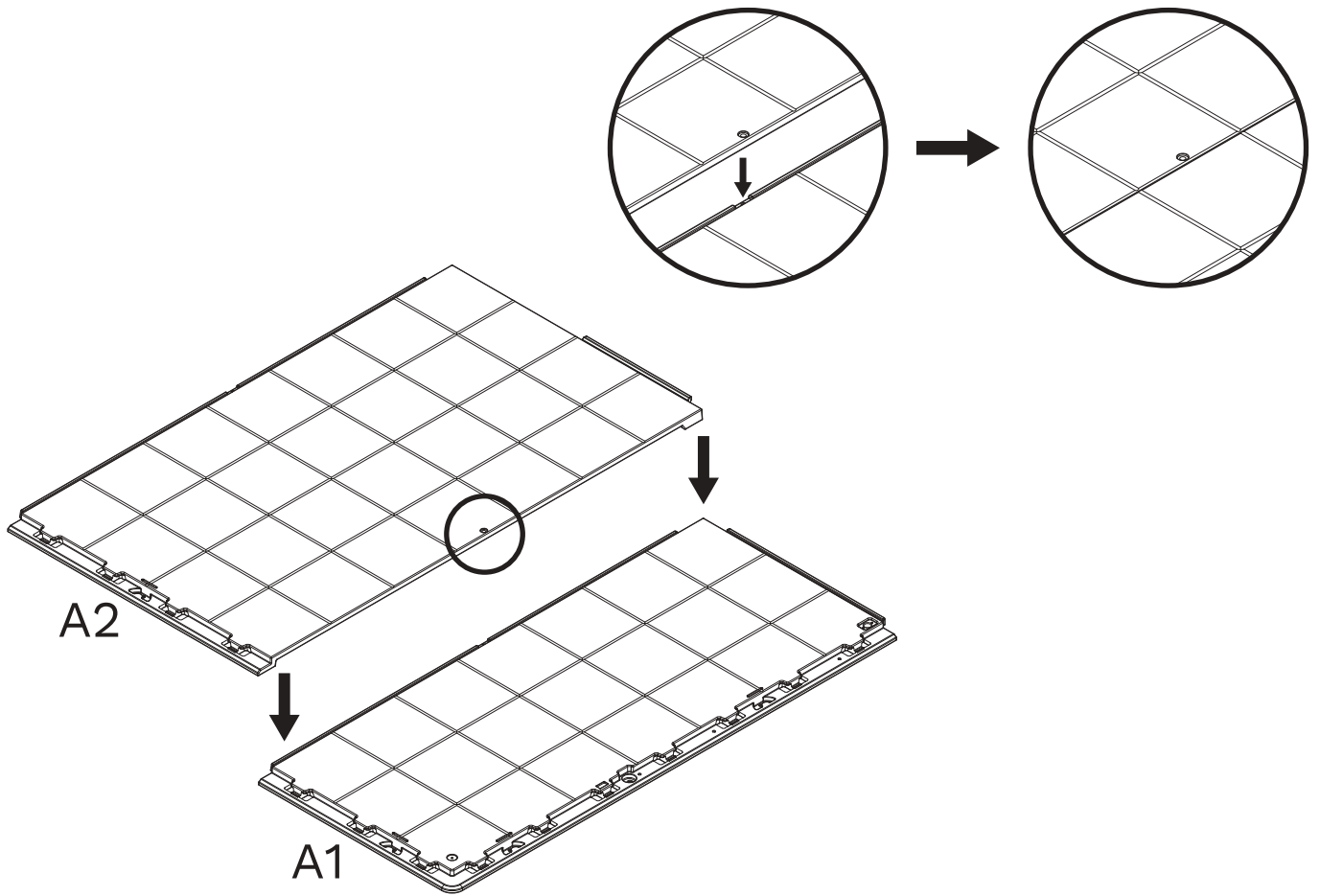
30-41  
(page)



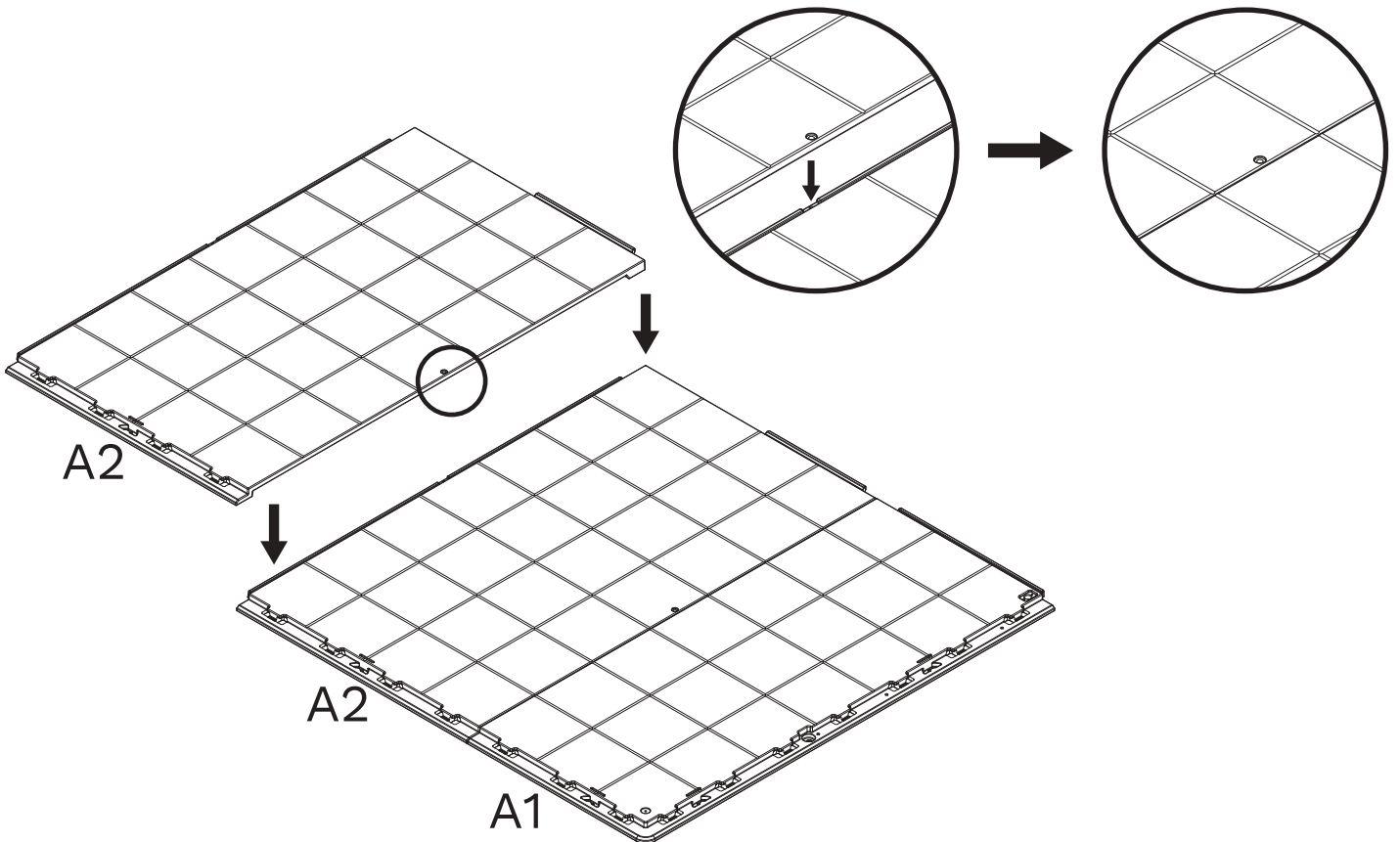
Door Part Instruction

42-46  
(page)

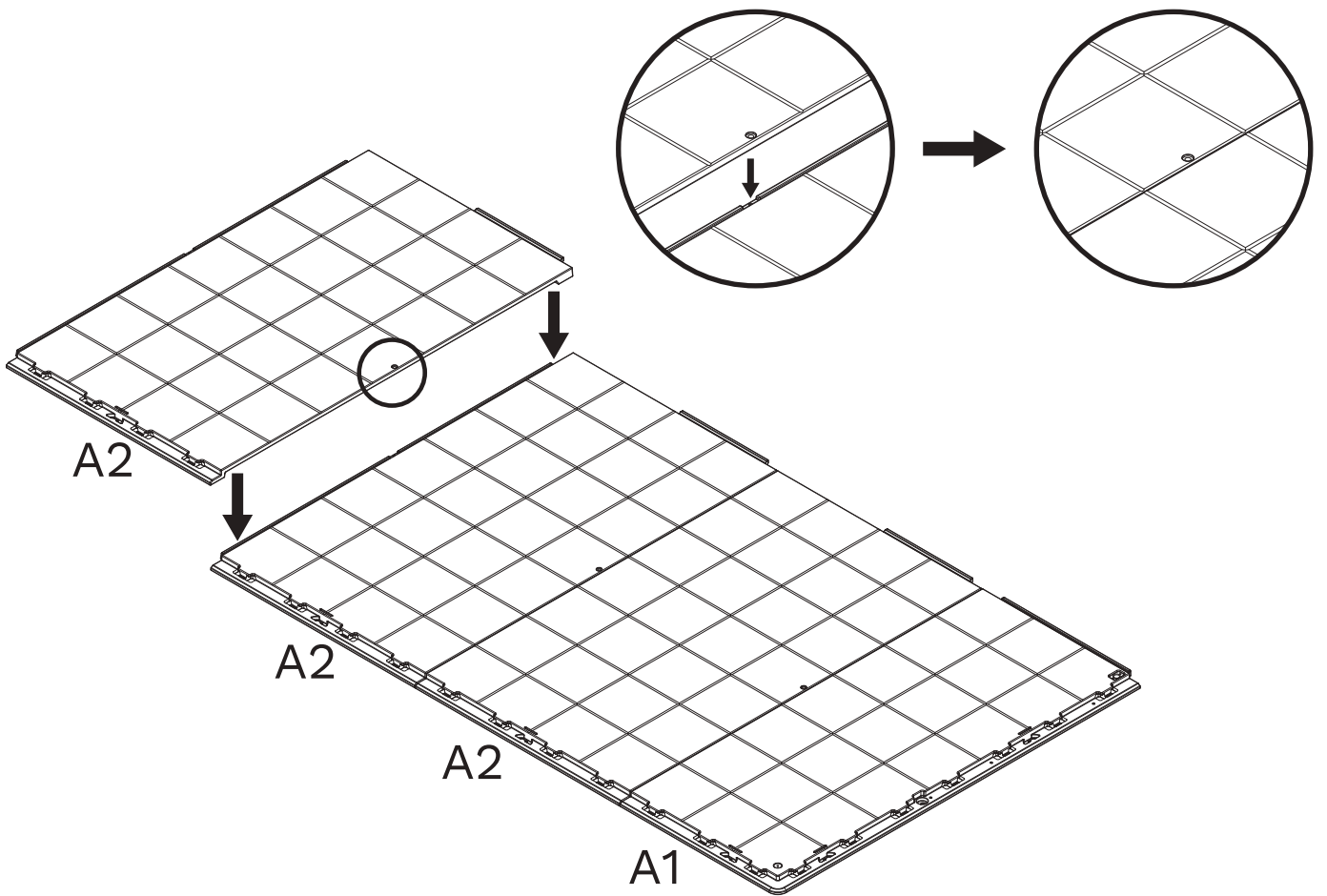
# STEP 1



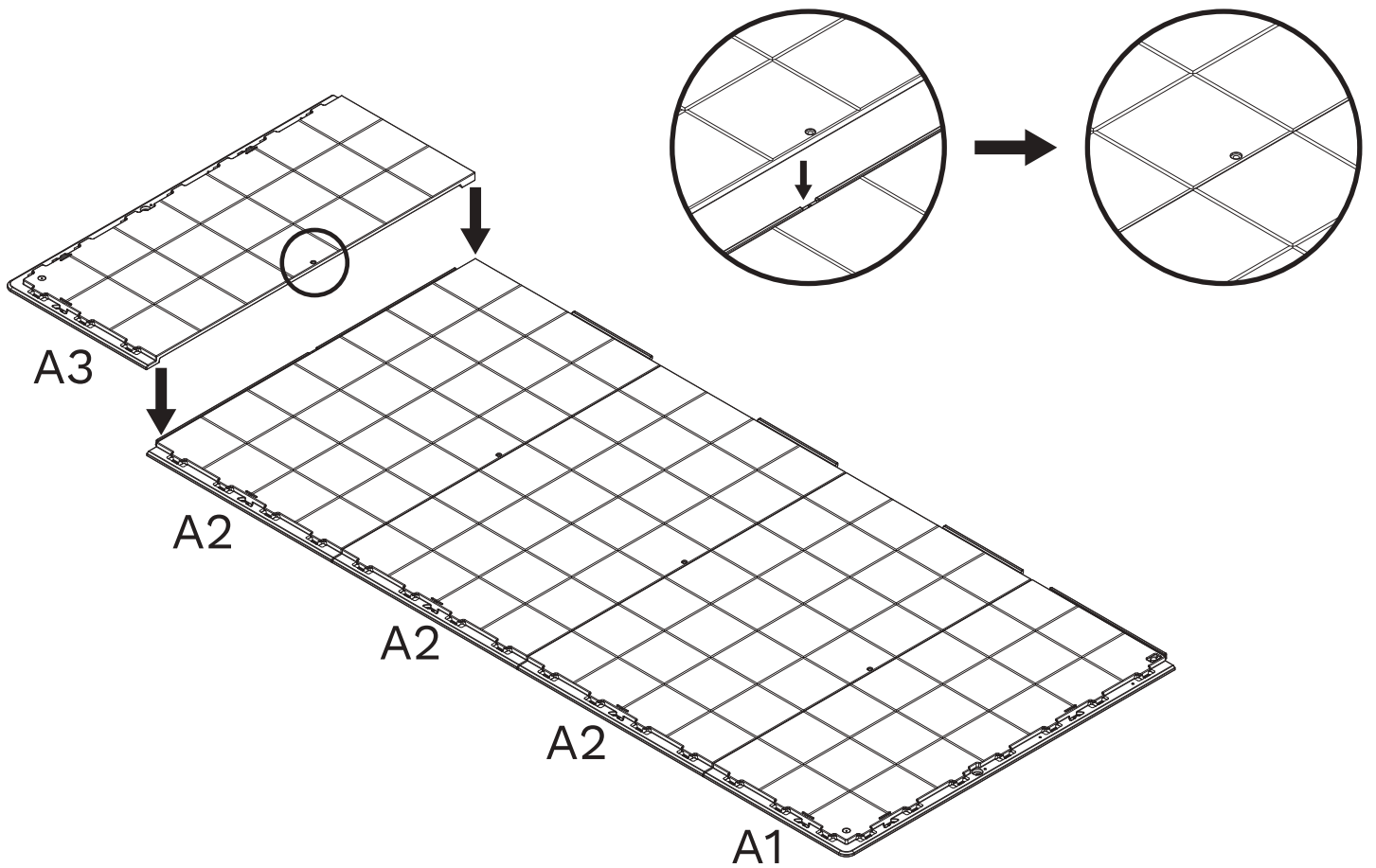
# STEP 2



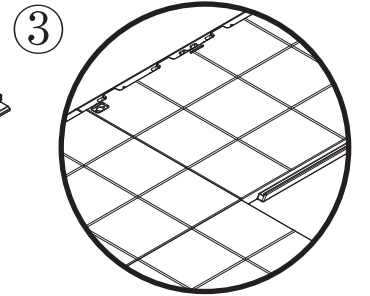
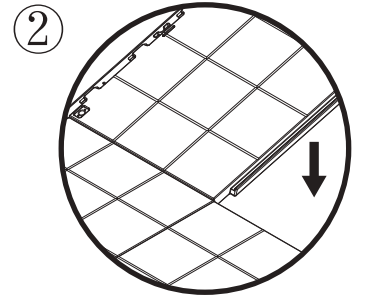
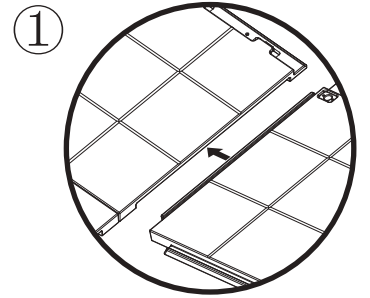
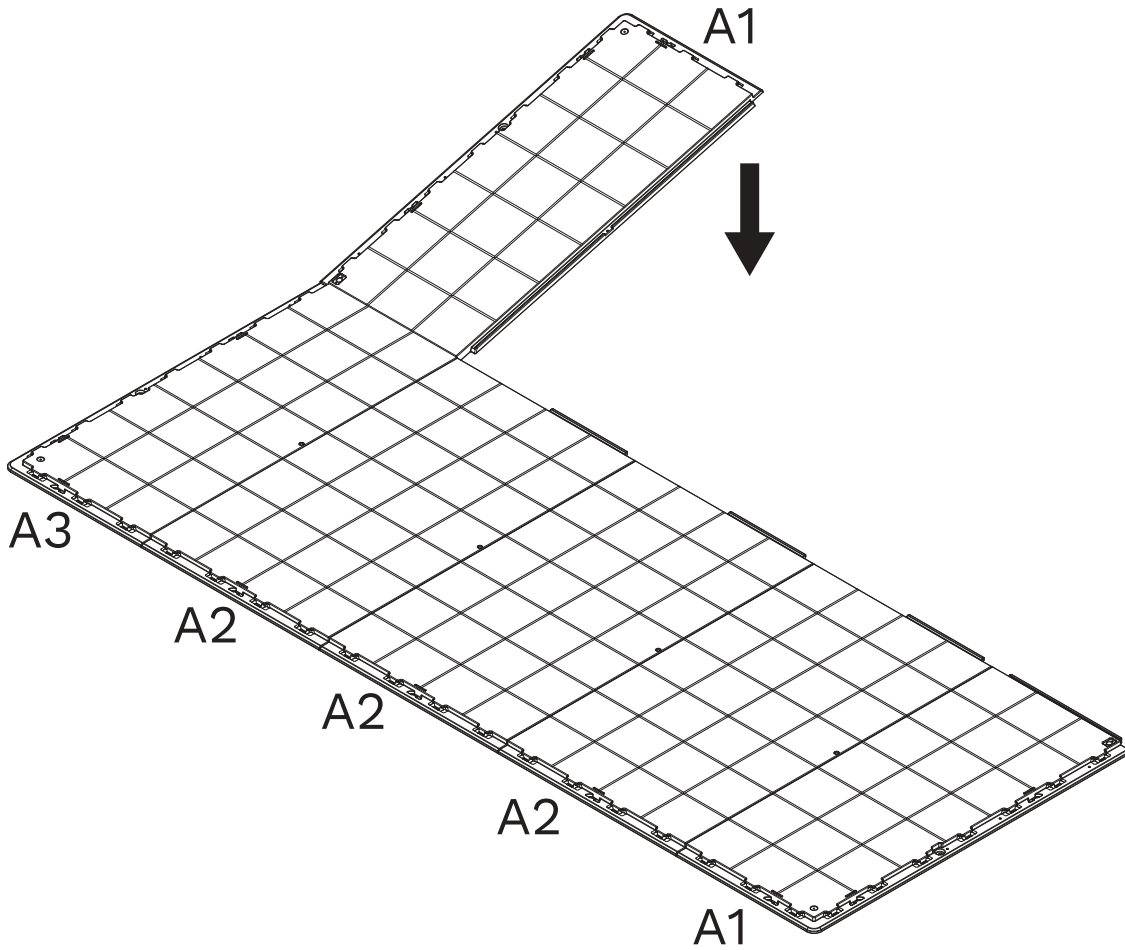
### STEP 3



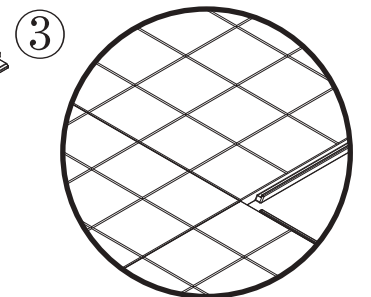
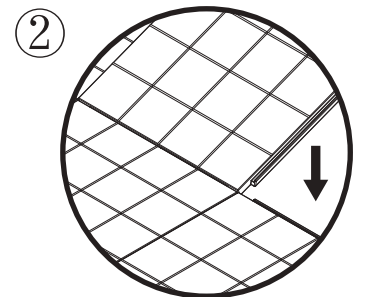
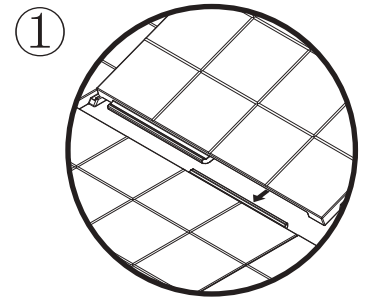
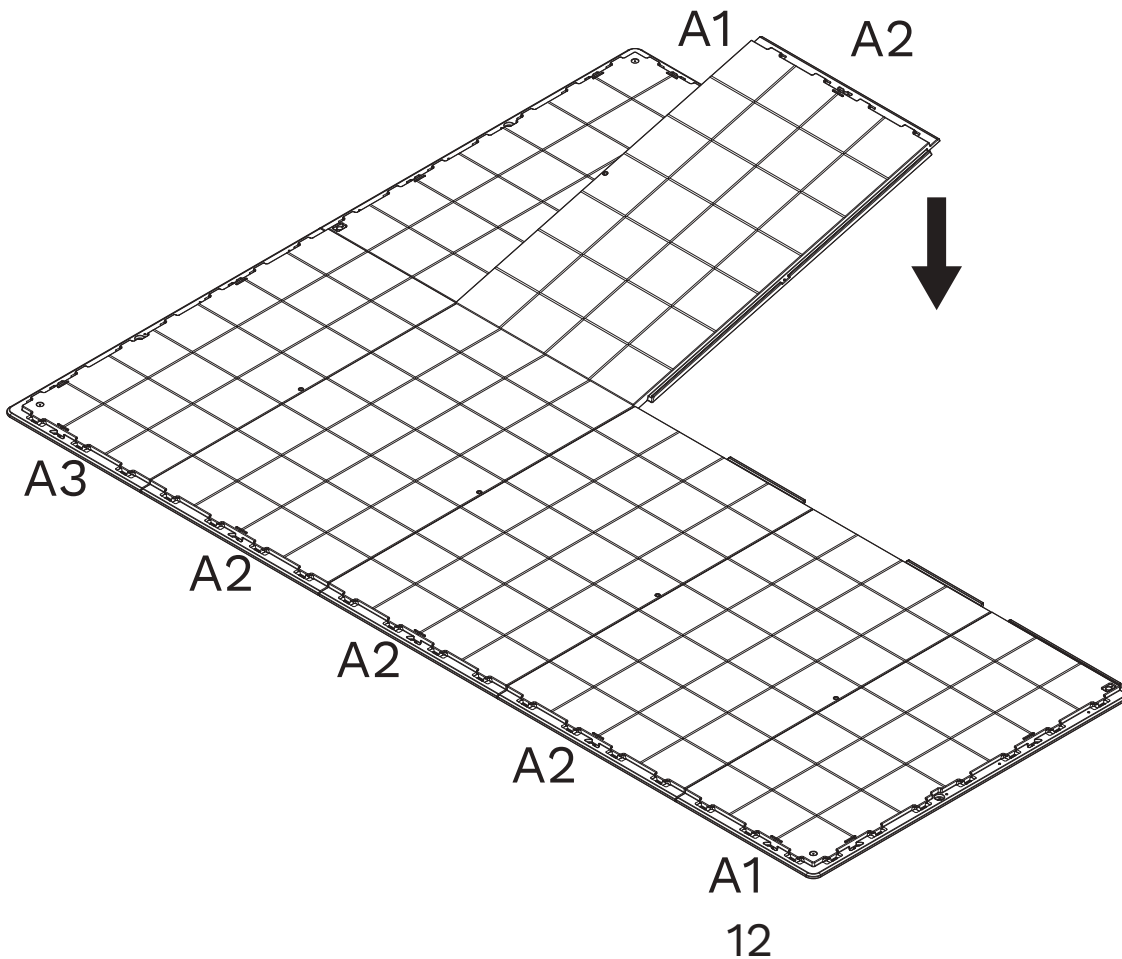
### STEP 4



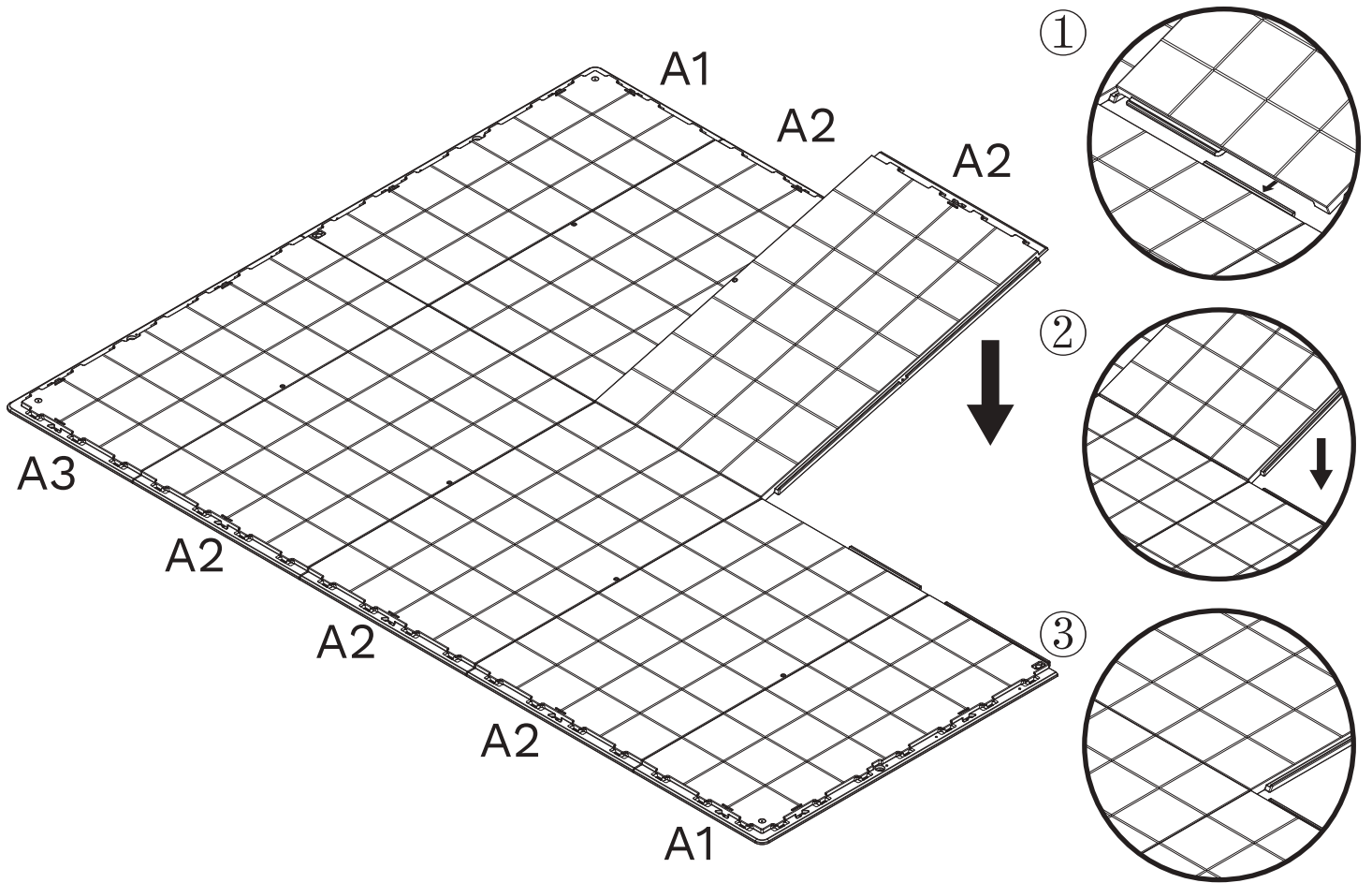
# STEP 5



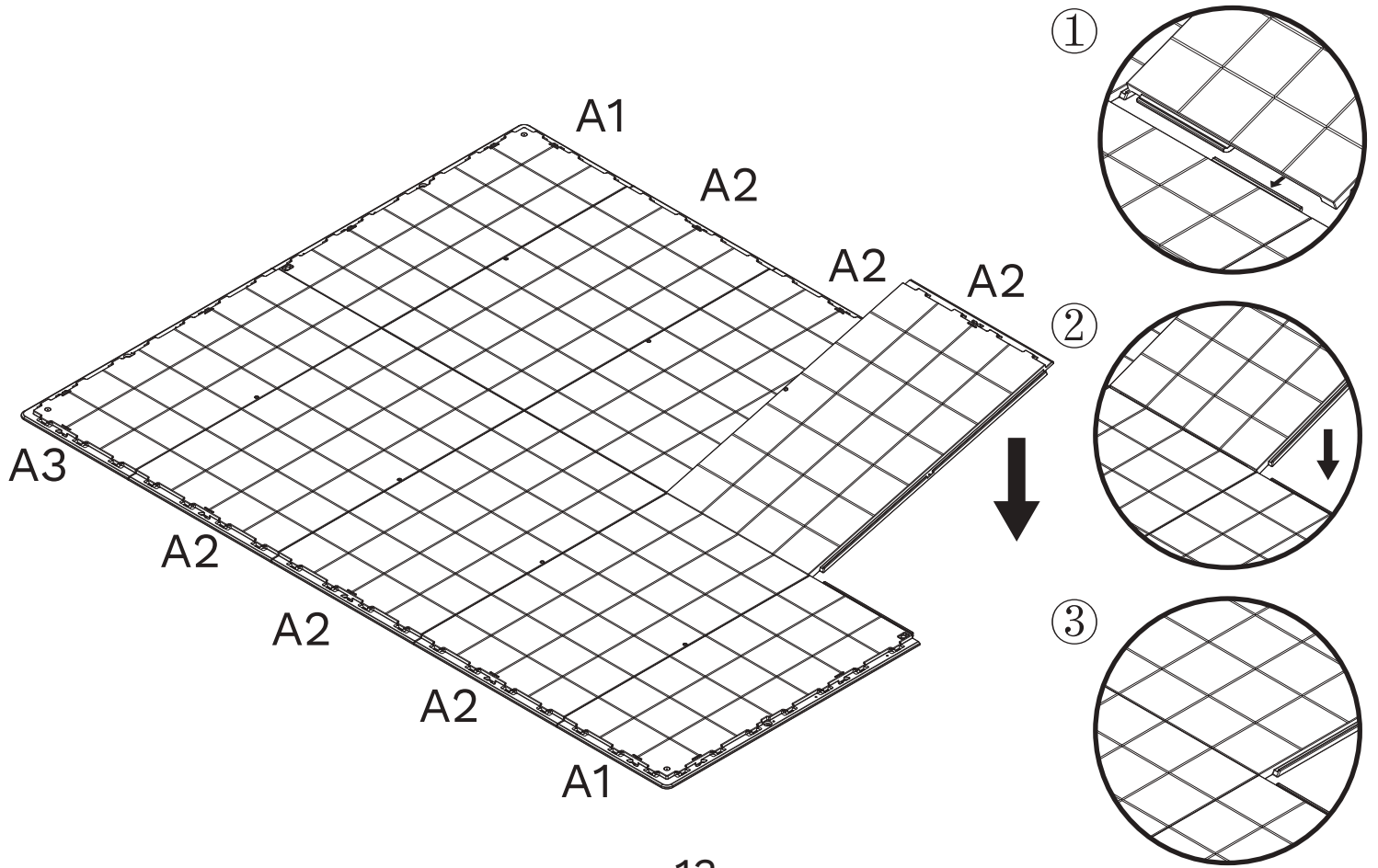
# STEP 6



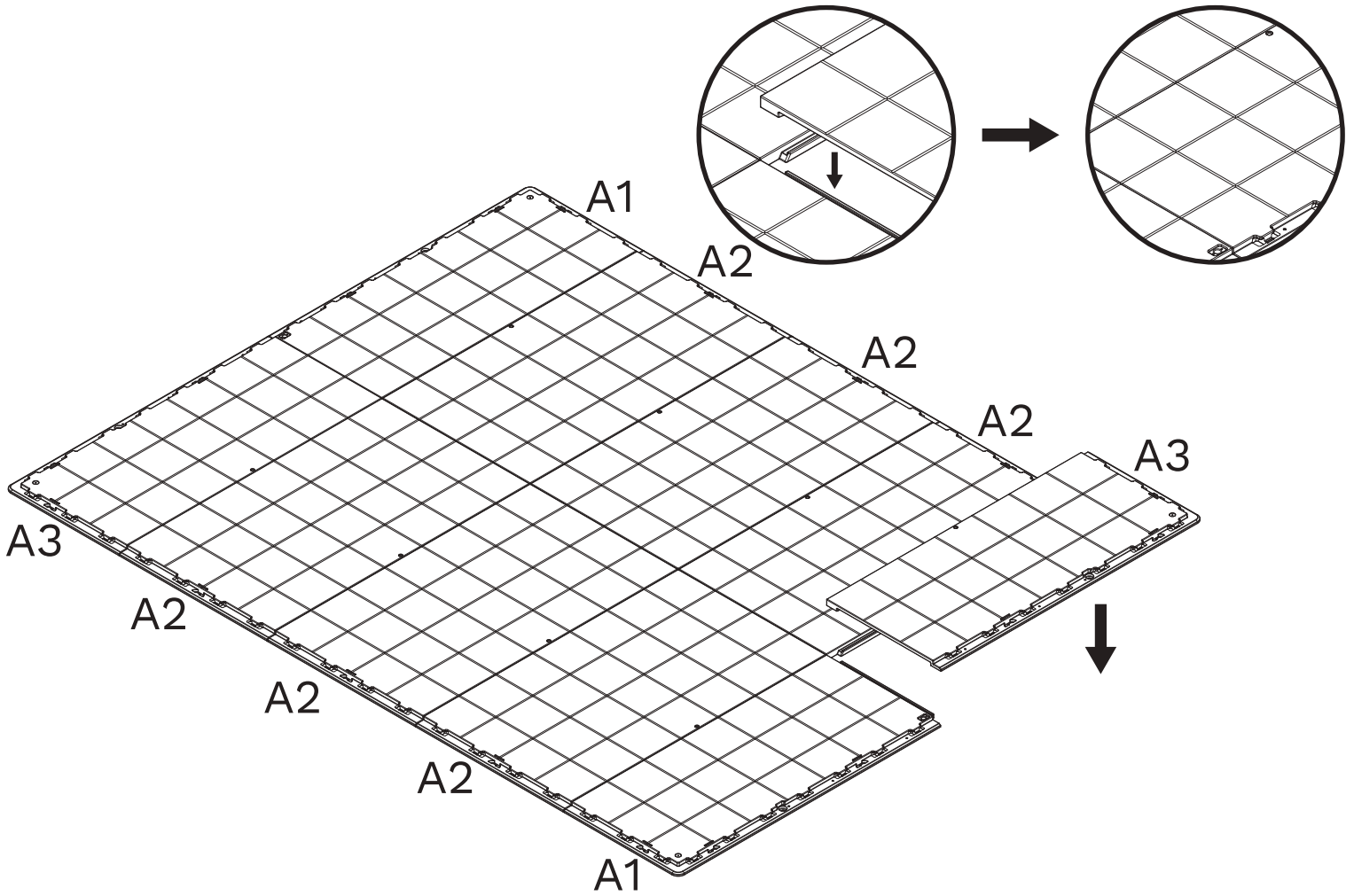
# STEP 7



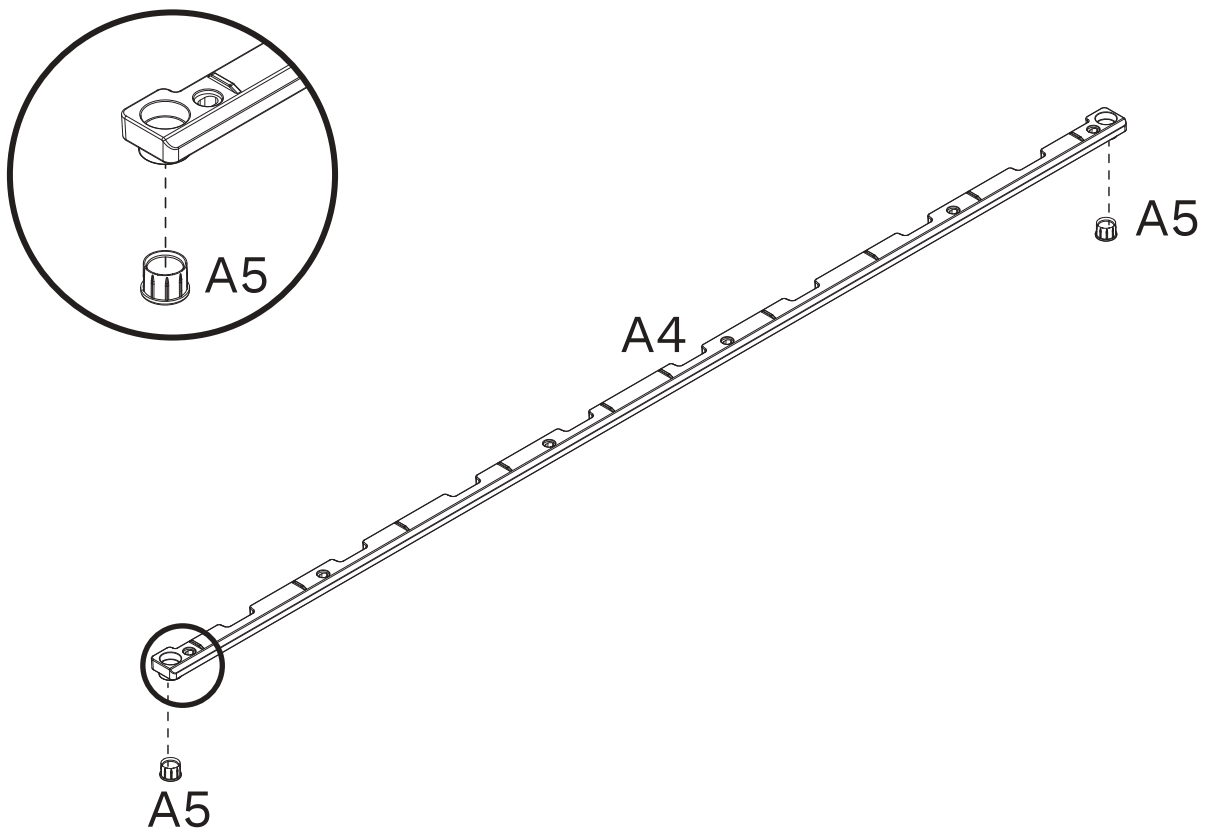
# STEP 8



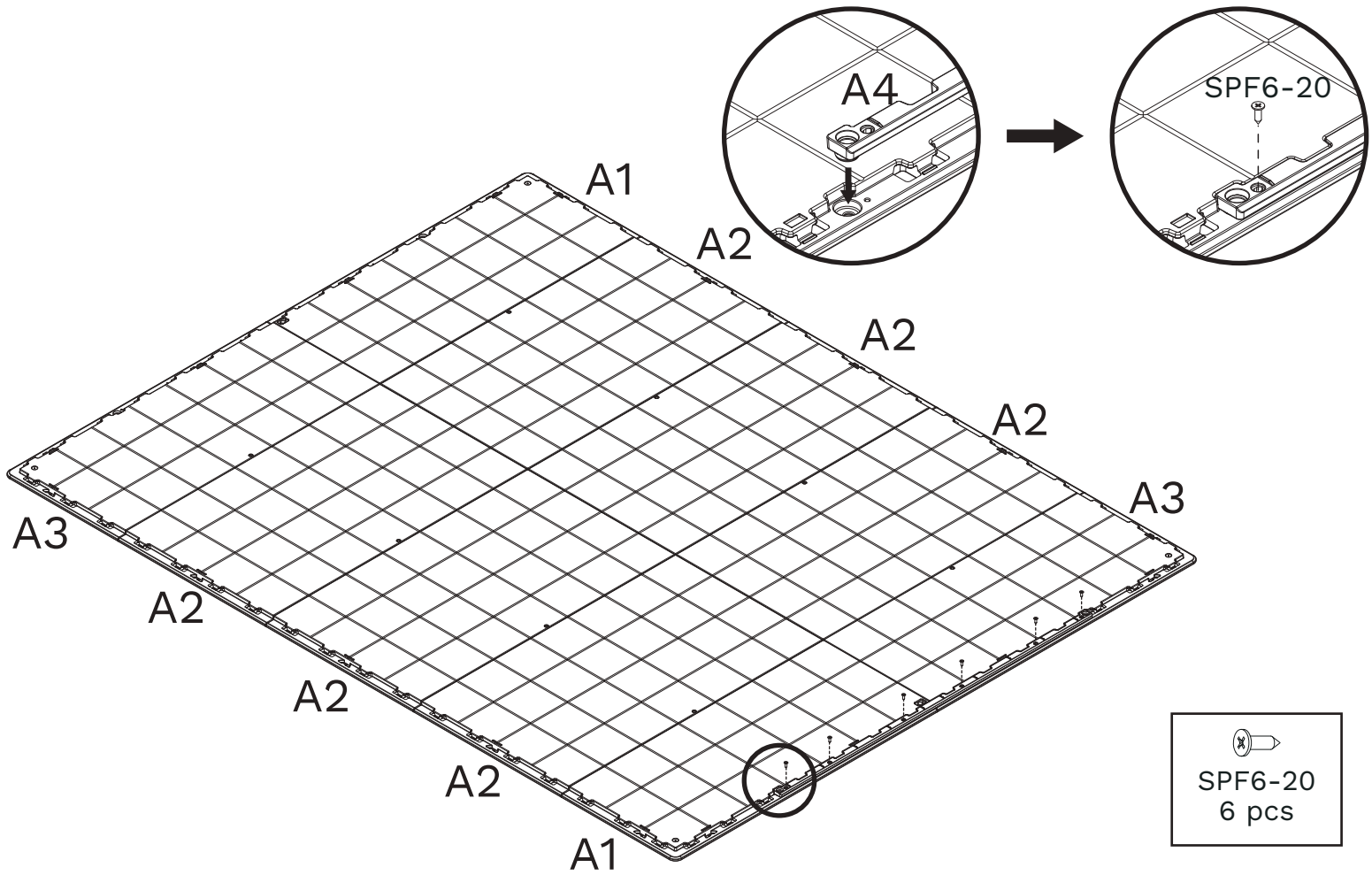
# STEP 9



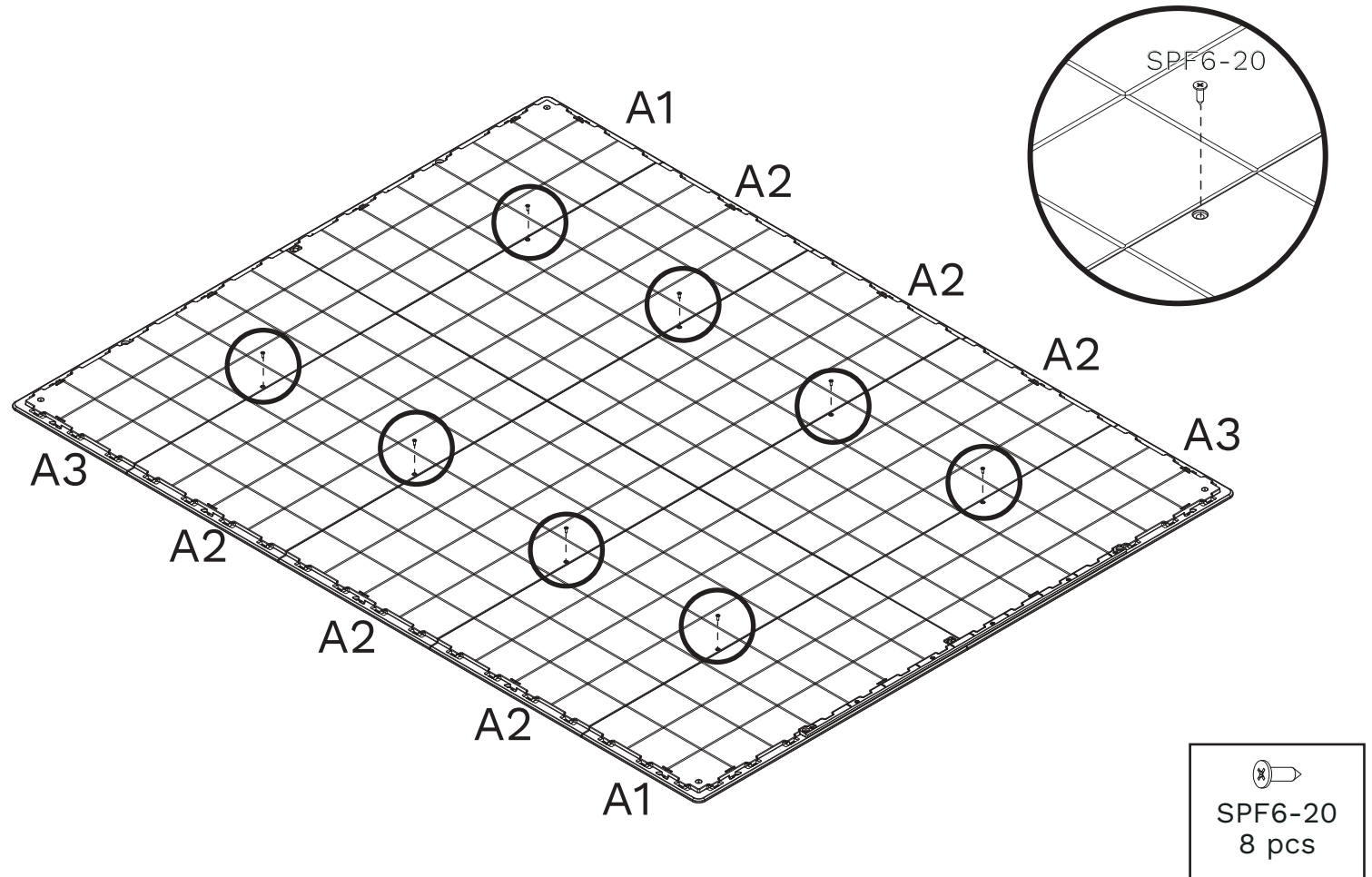
# STEP 10



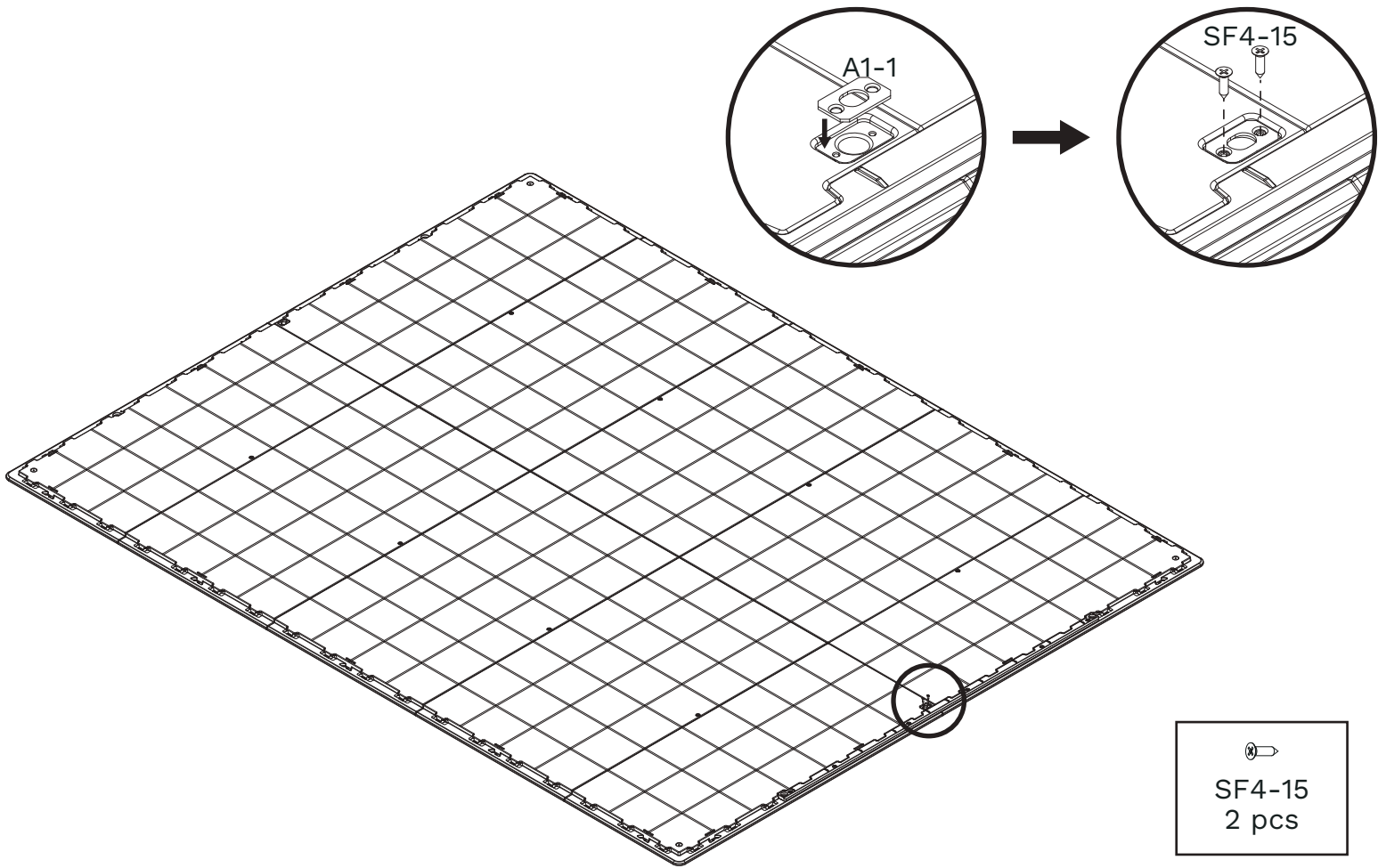
# STEP 11



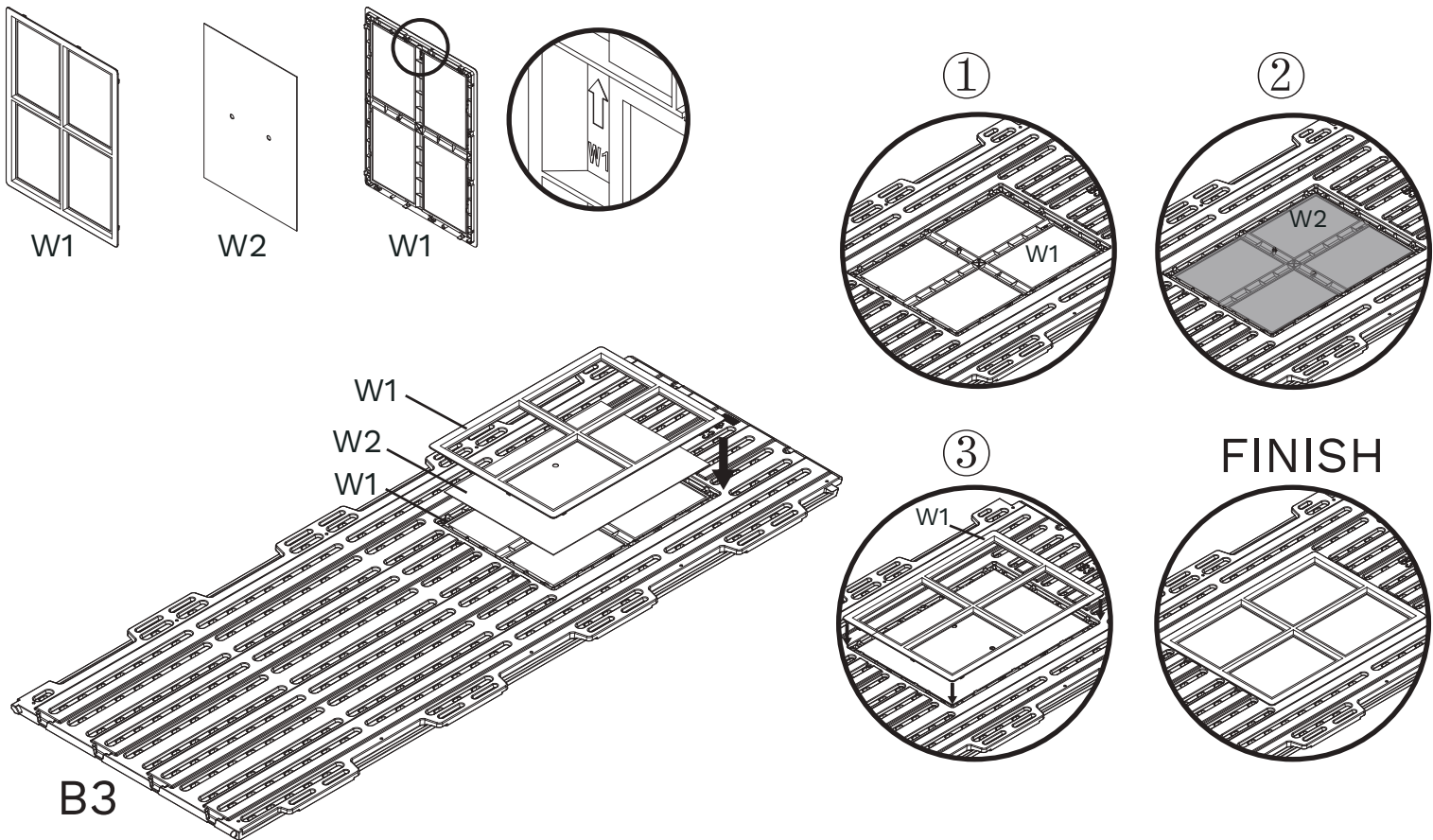
# STEP 12



# STEP 13

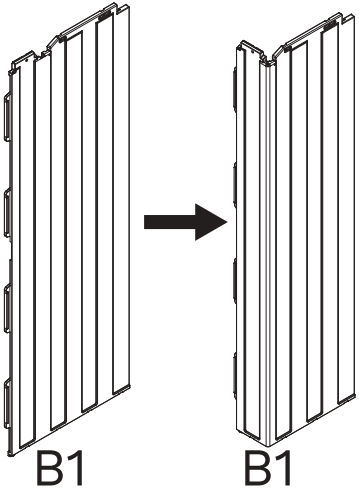


# STEP 14





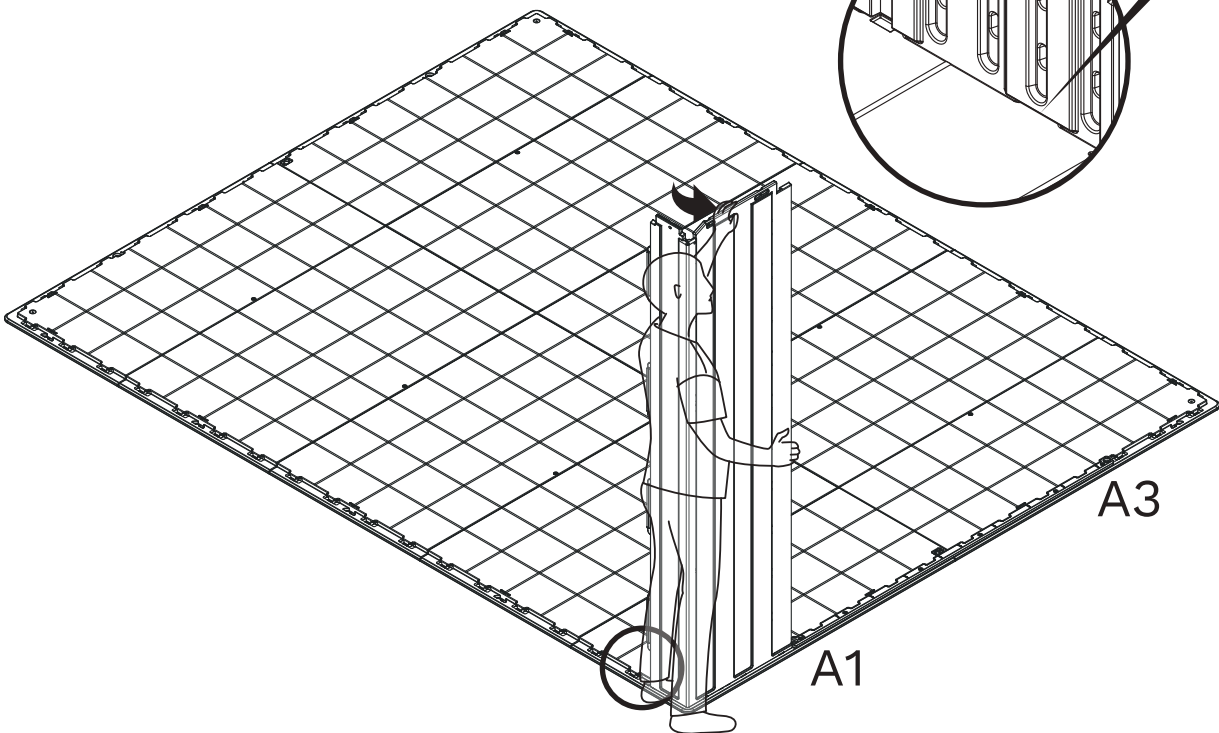
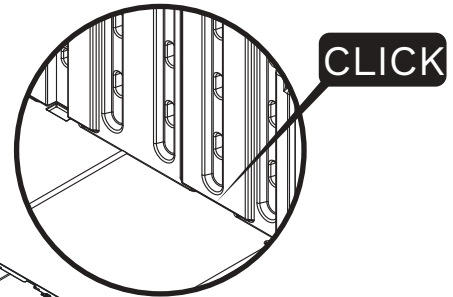
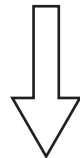
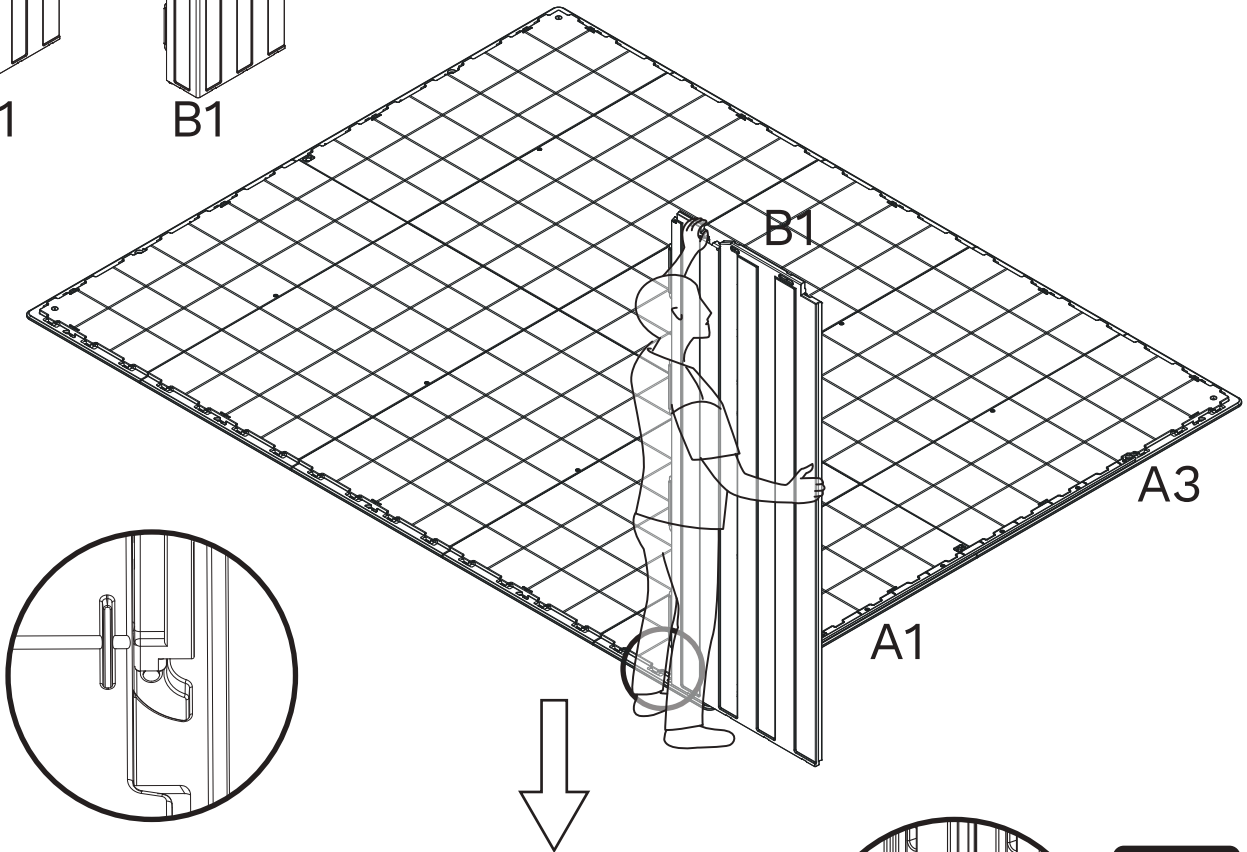
# STEP 15



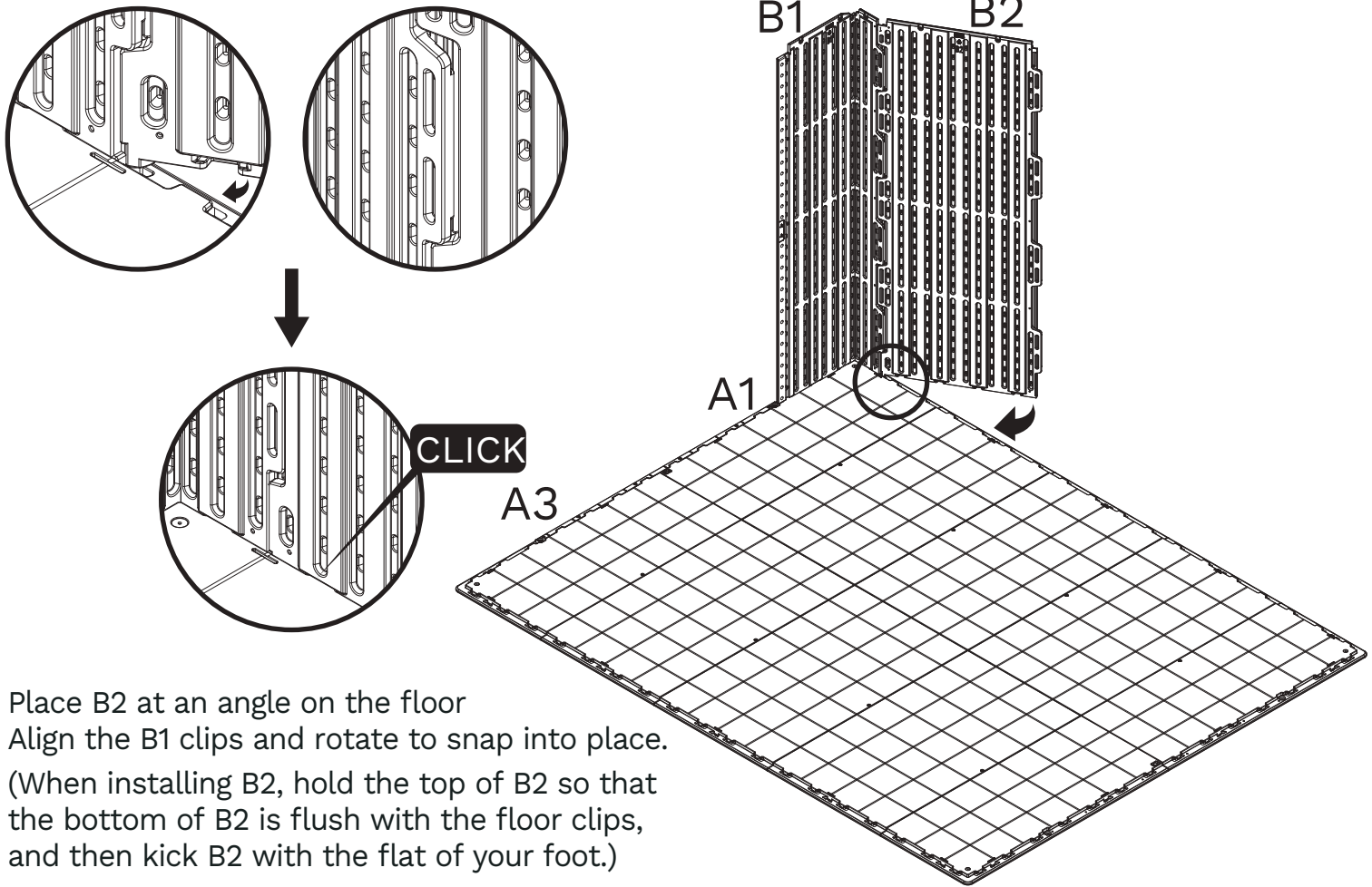
Before installation, please watch the video. Please follow the installation details in the video to avoid product damage.

First pre-fold B1, B1 placed in a U-shaped groove on the floor, bend 90 degrees after alignment.

(When installing B1, press on the top of B1 so that the clips below B1 are flush with the floor clips. You can use your foot to kick B1 flat.)

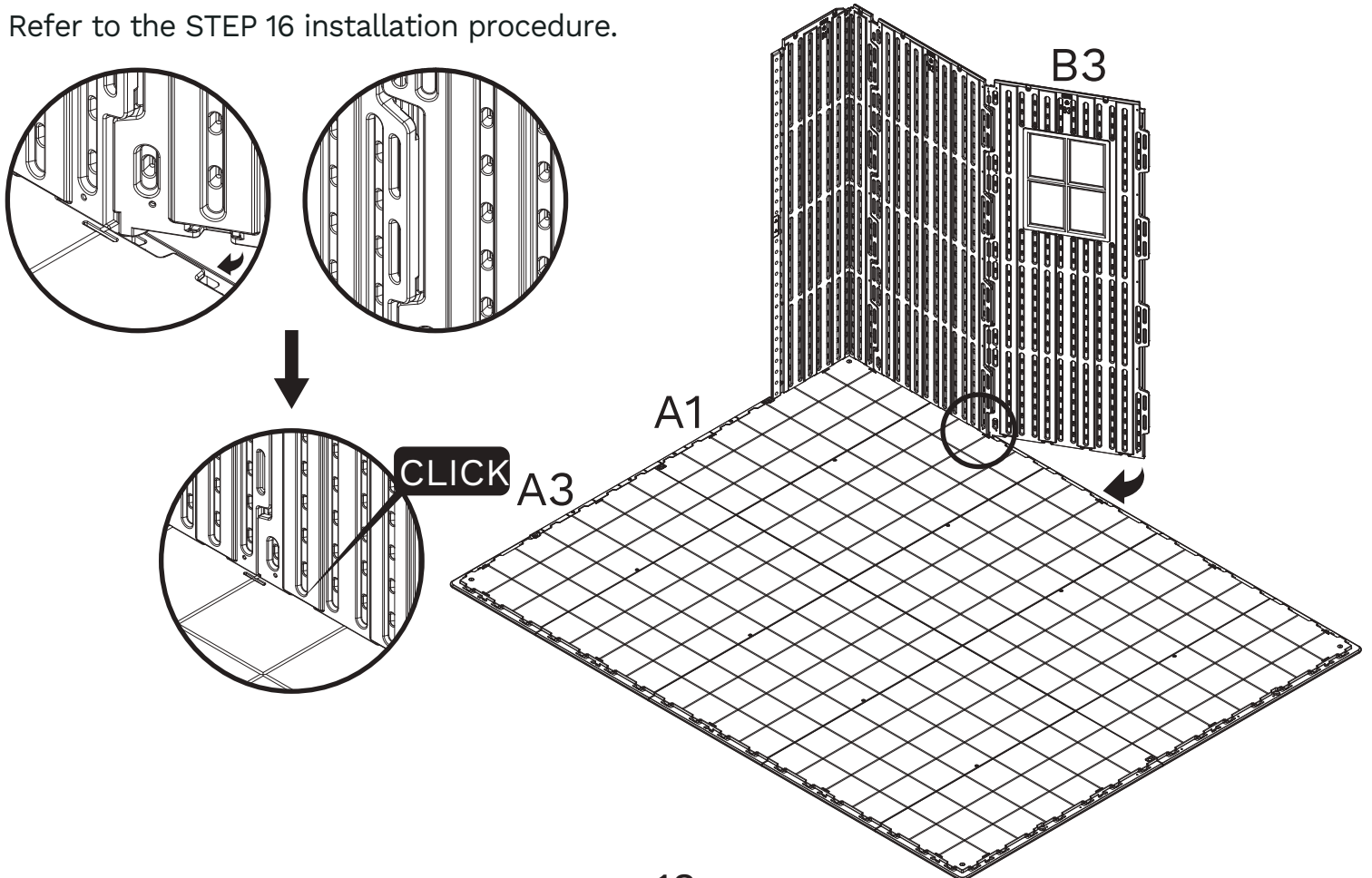


## STEP 16

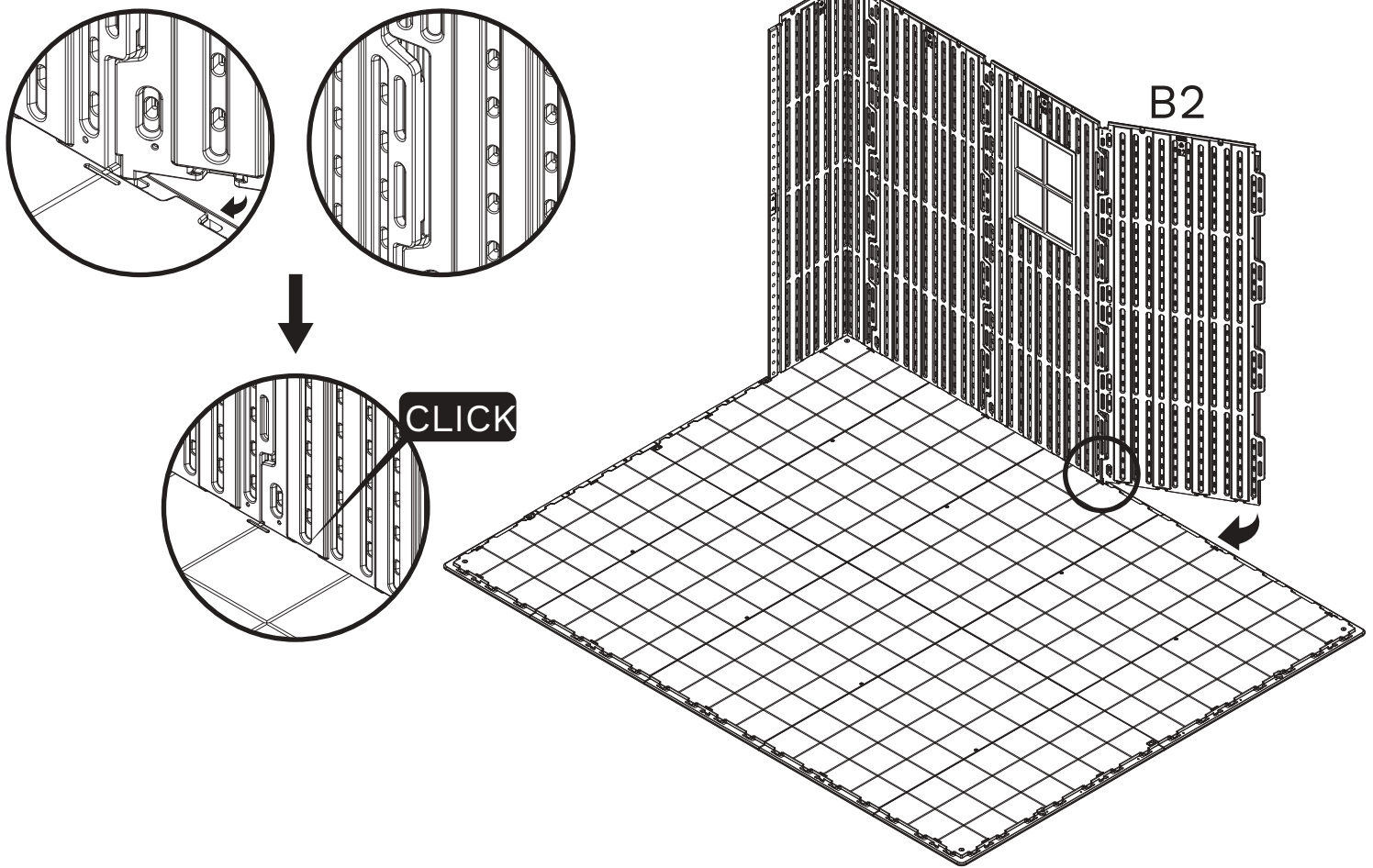


## STEP 17

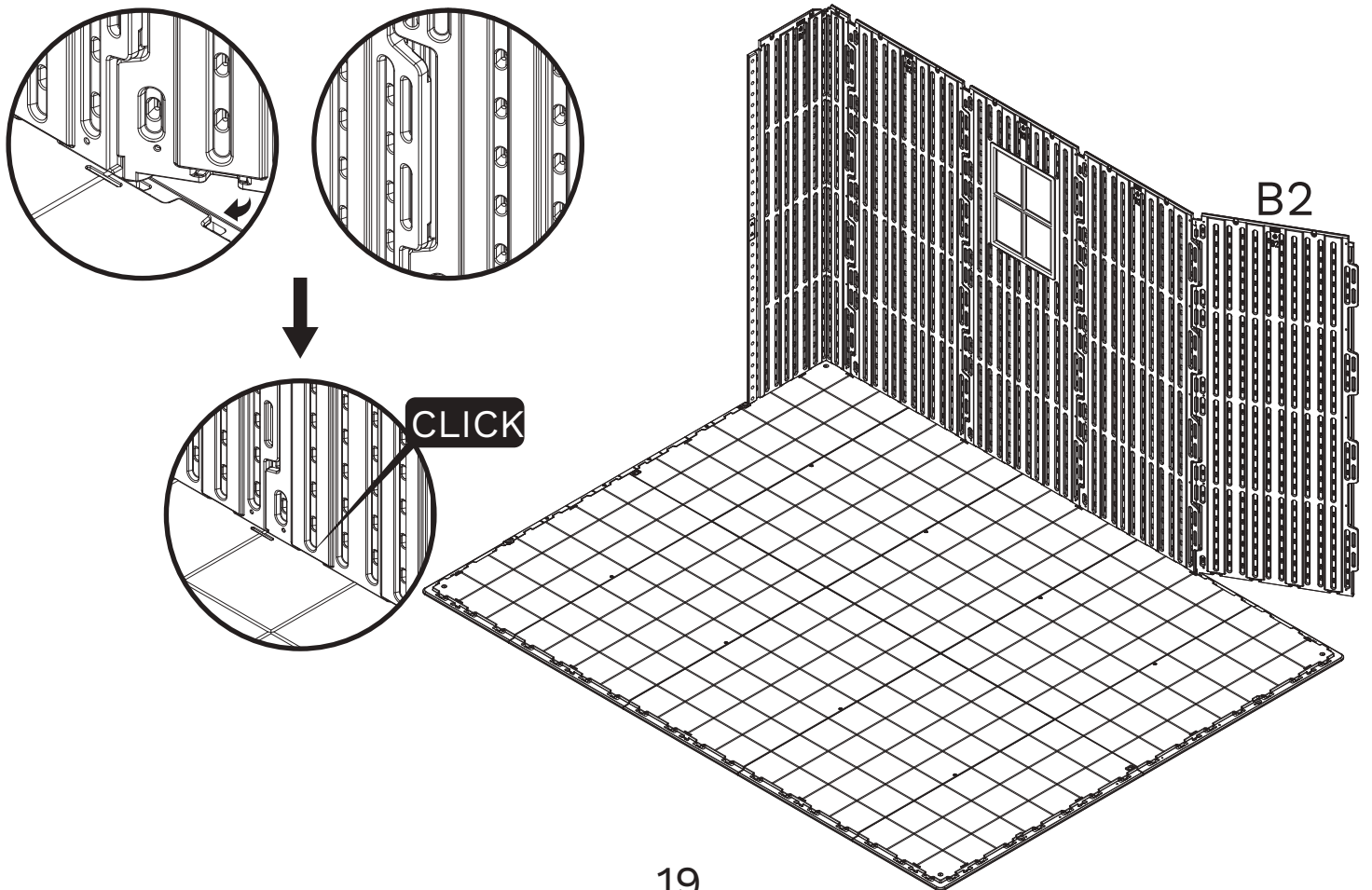
Refer to the STEP 16 installation procedure.



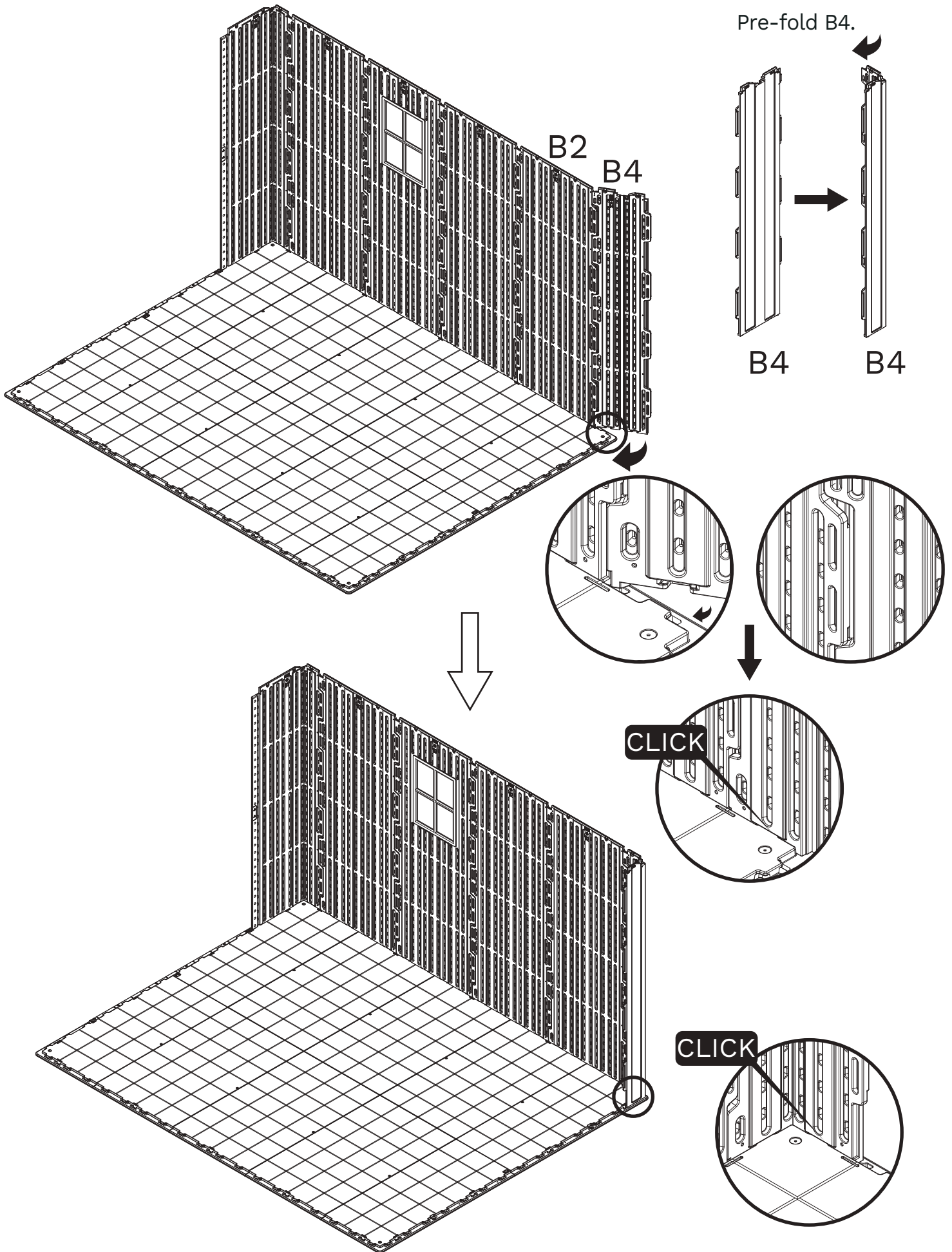
# STEP 18



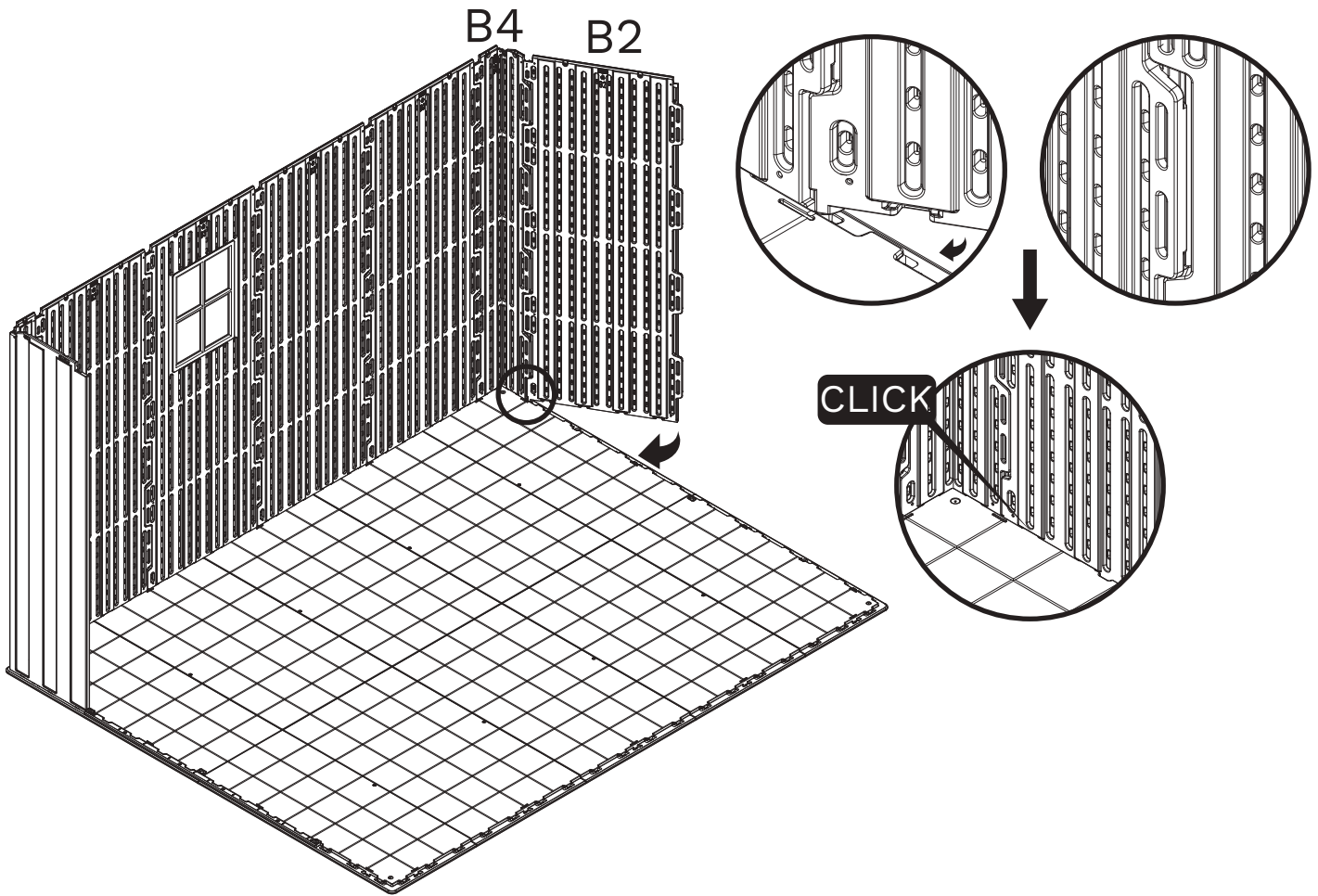
# STEP 19



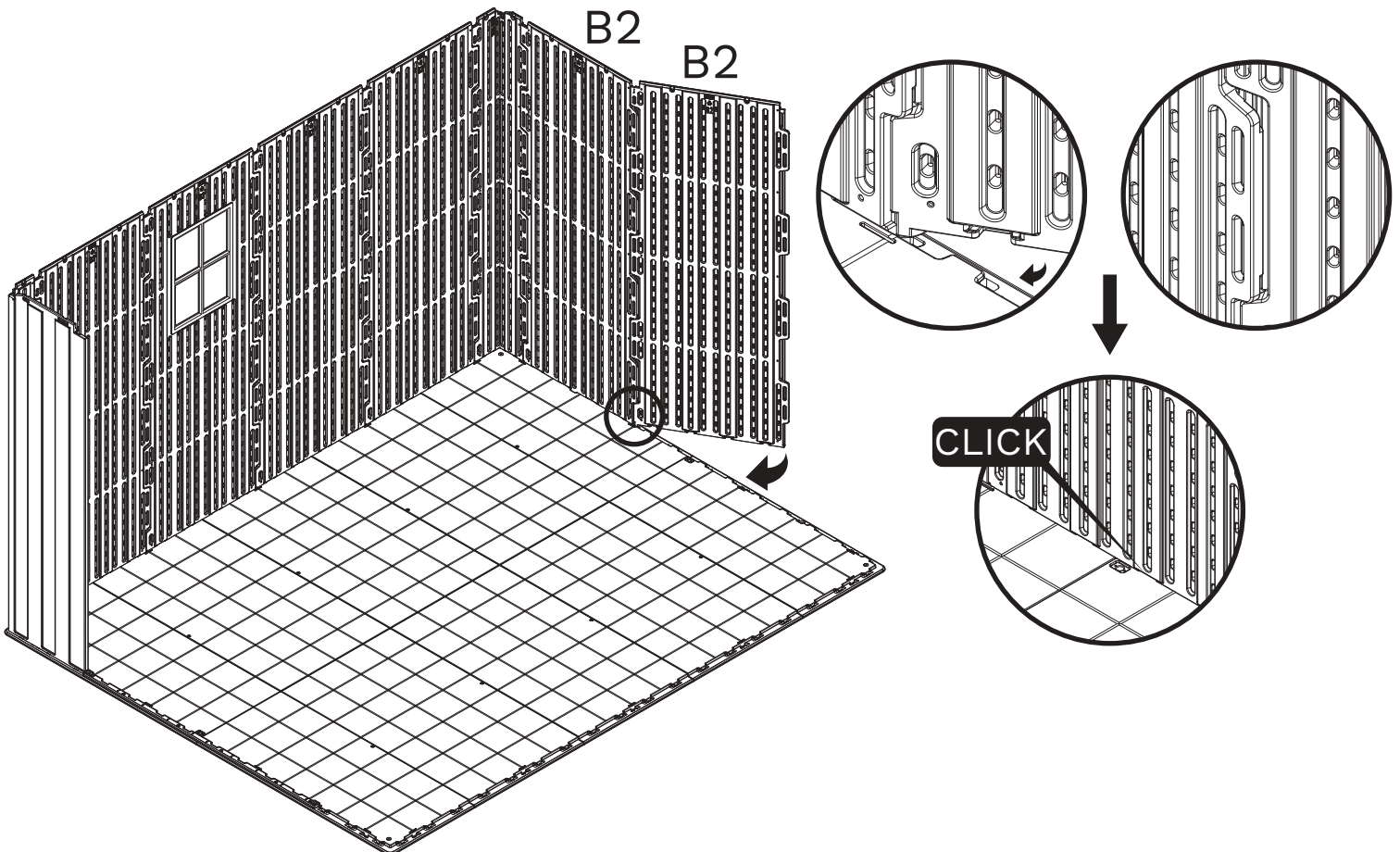
# STEP 20



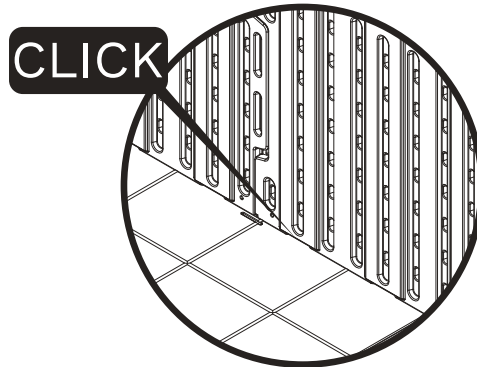
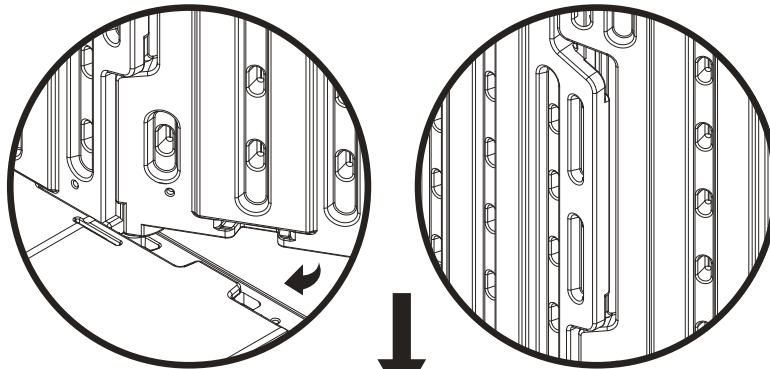
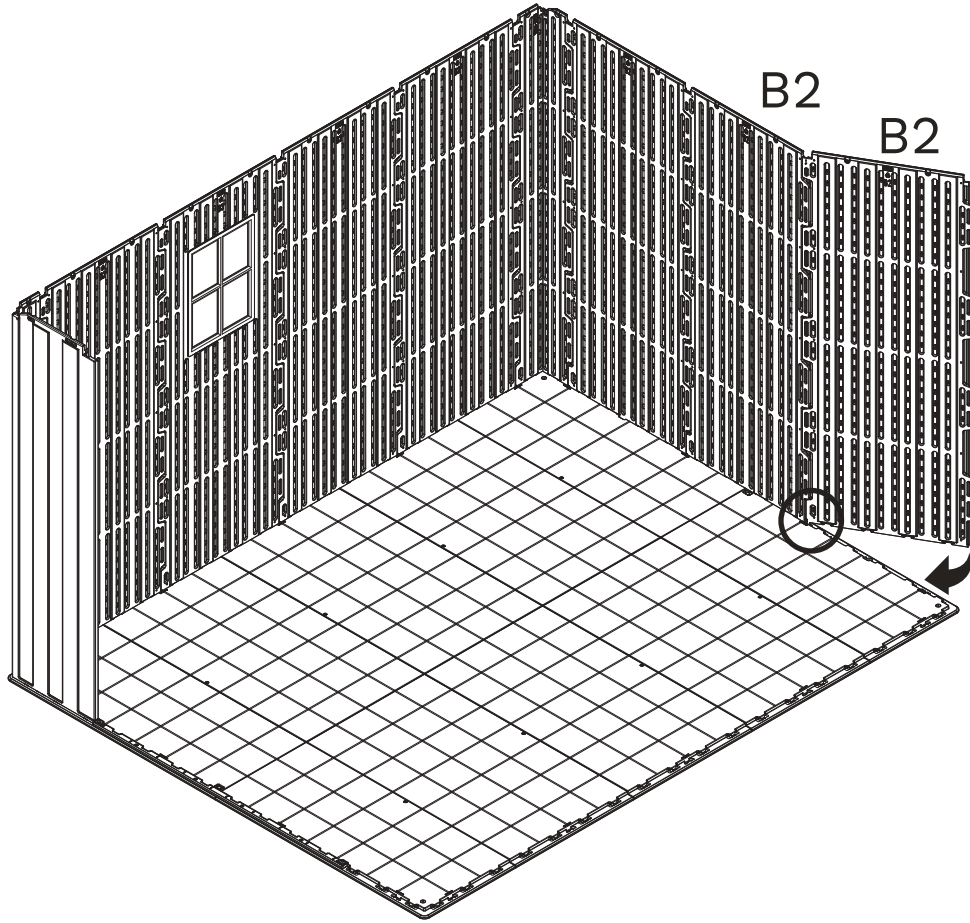
# STEP 21



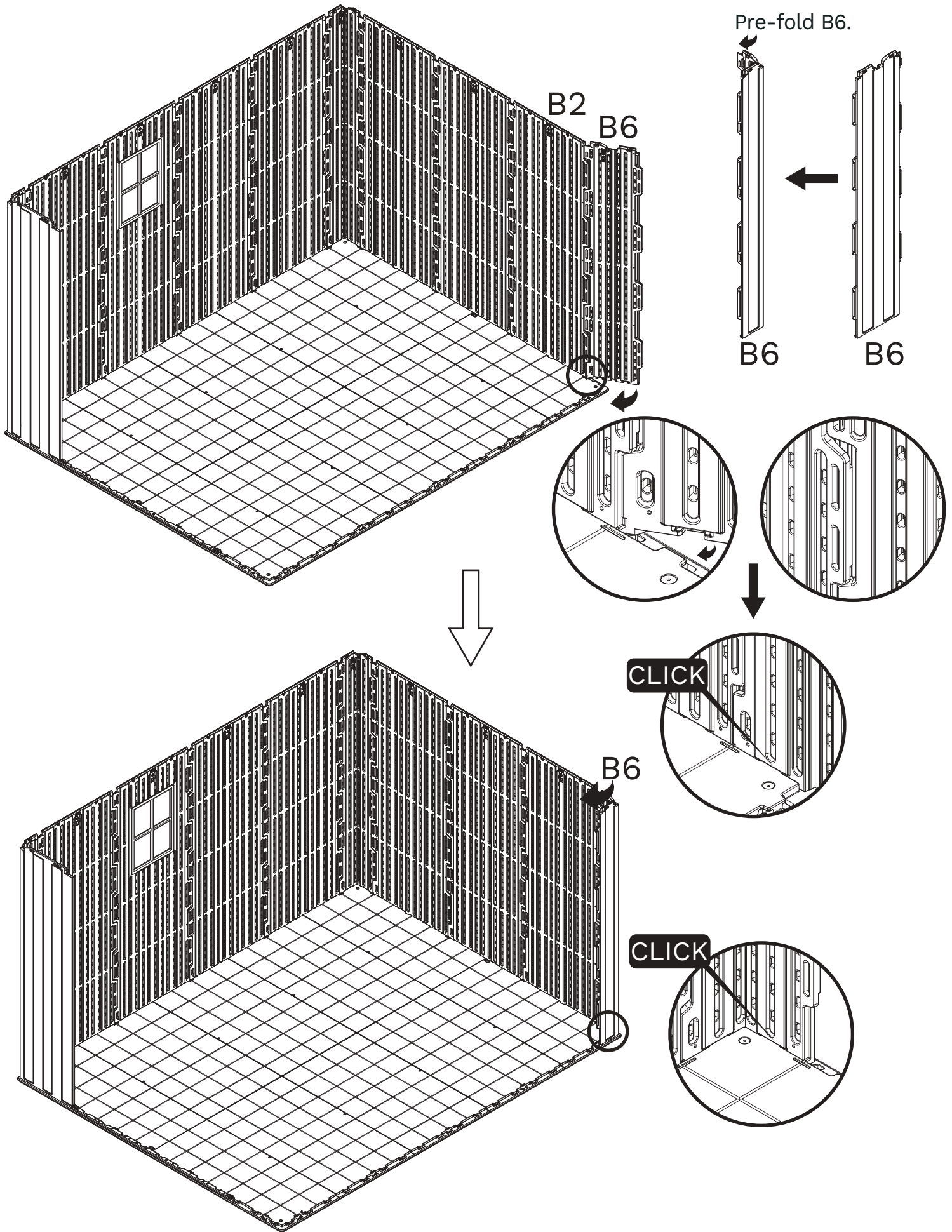
# STEP 22



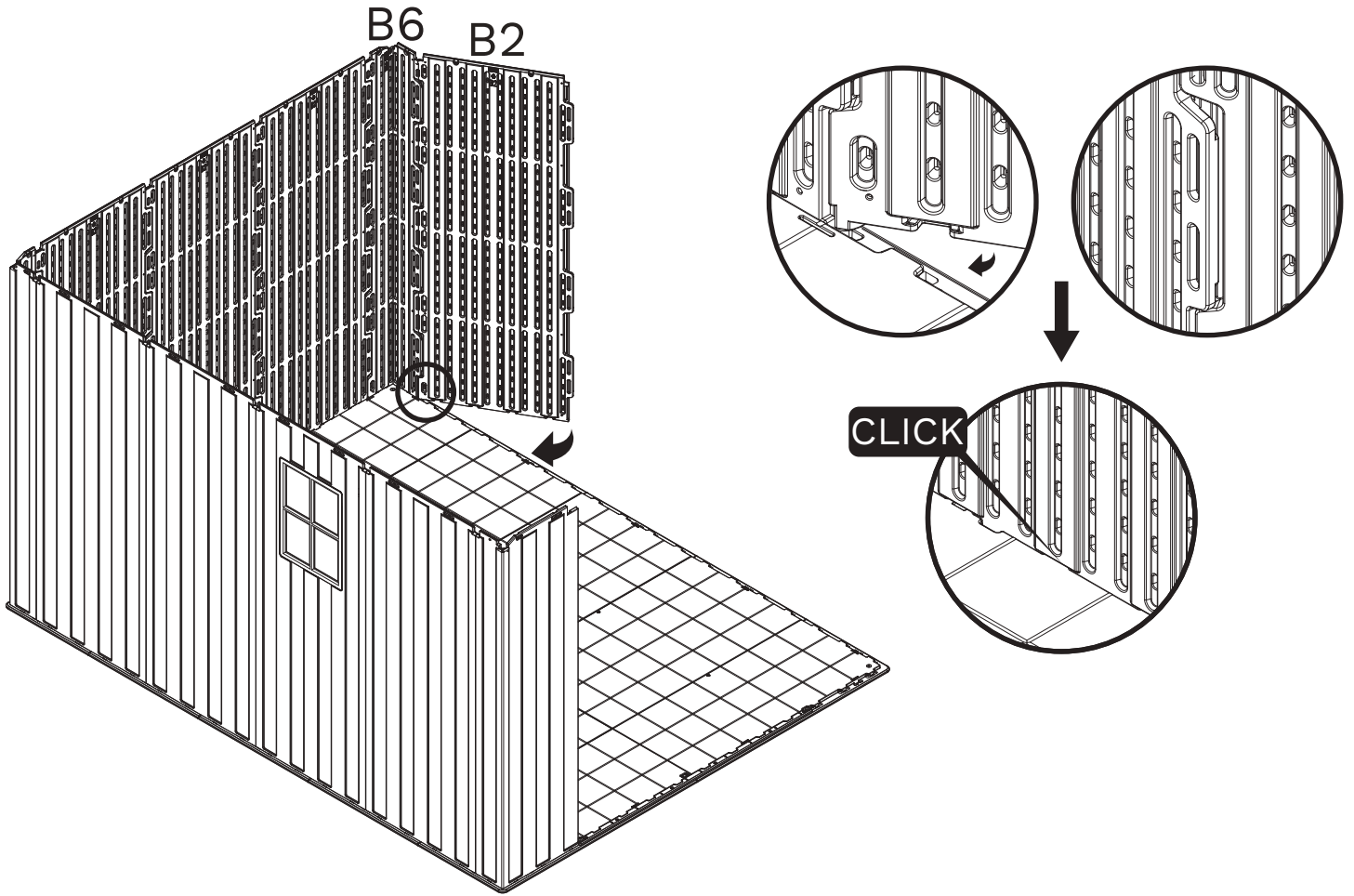
# STEP 23



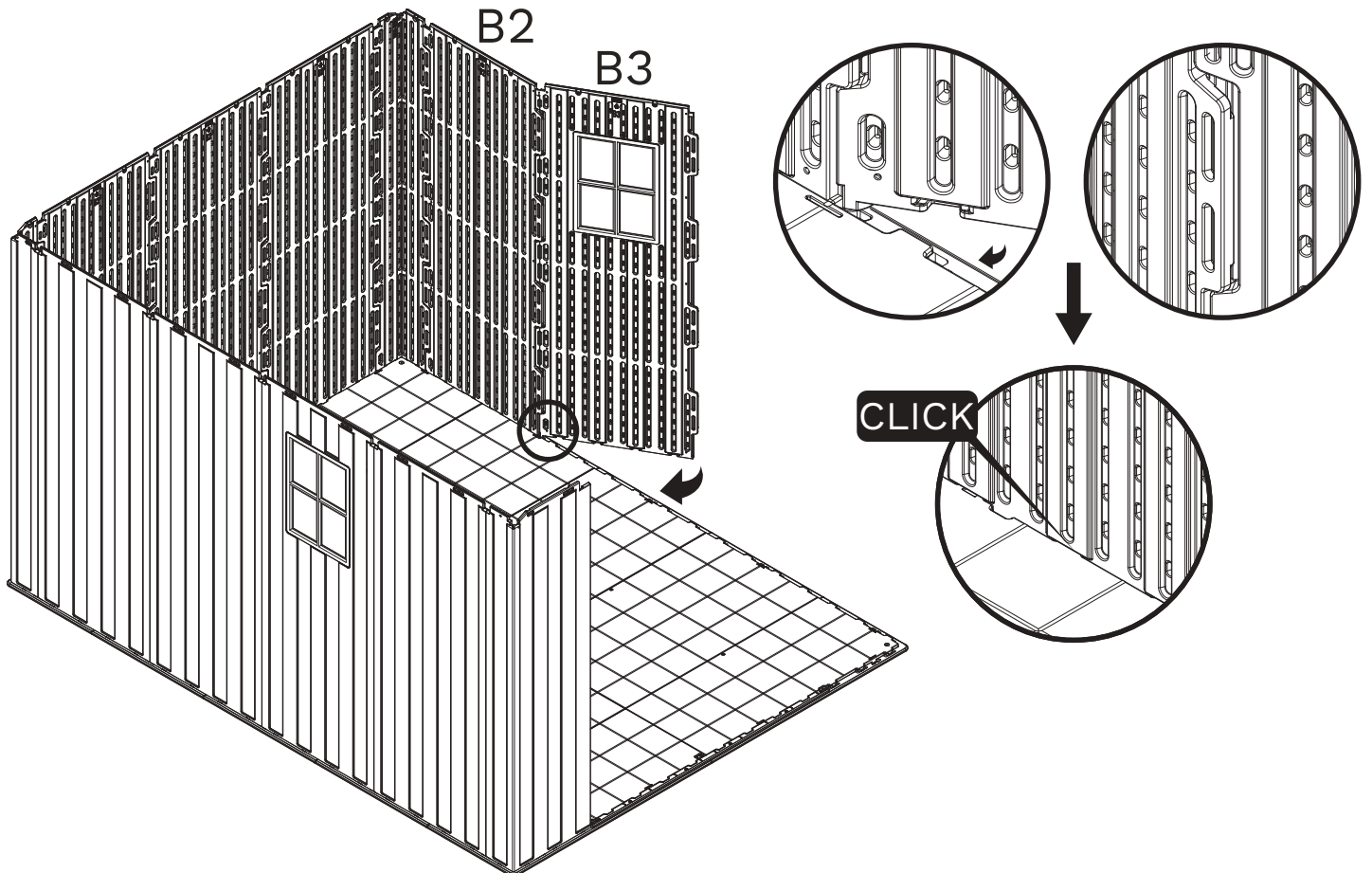
# STEP 24



# STEP 25

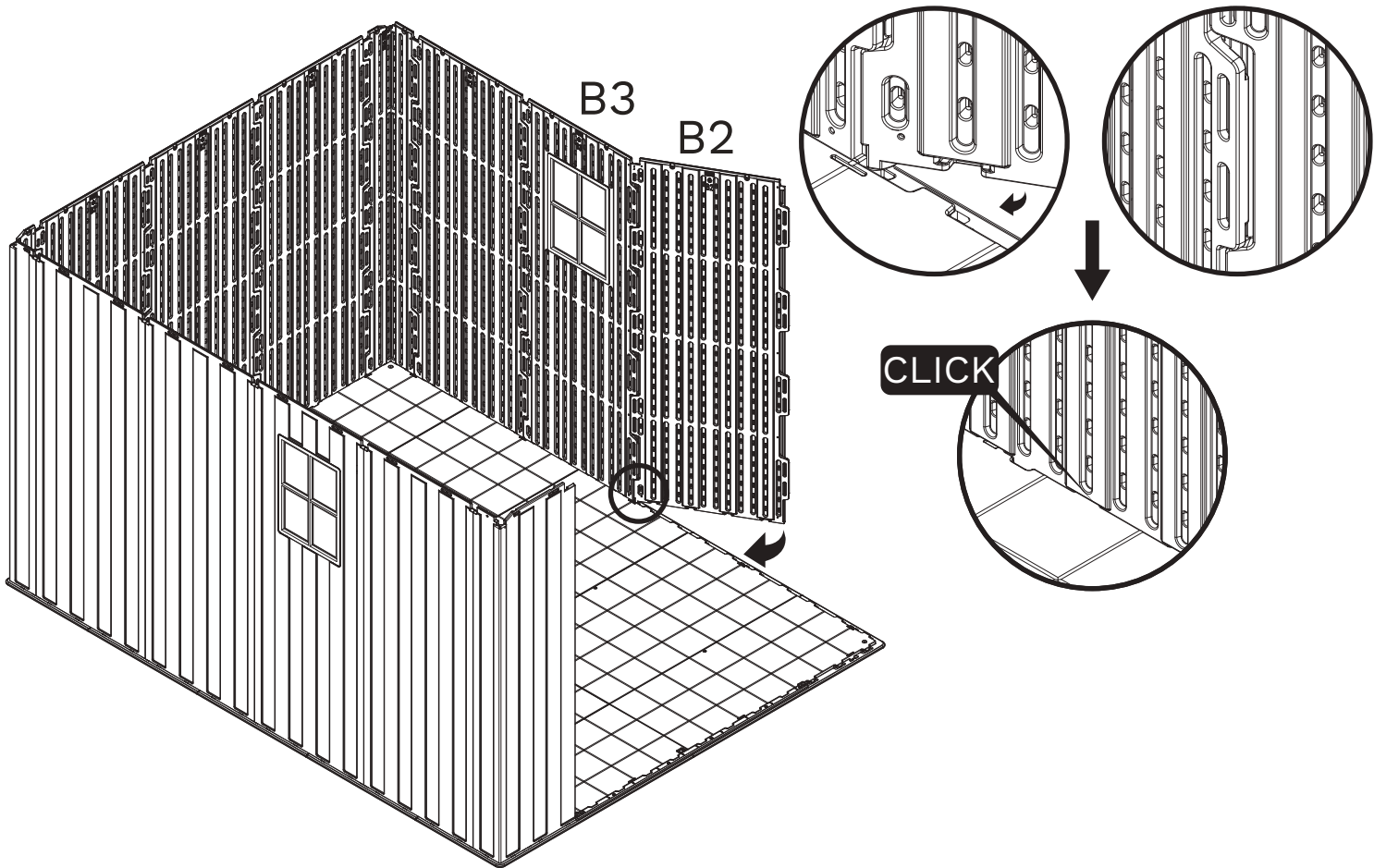


# STEP 26

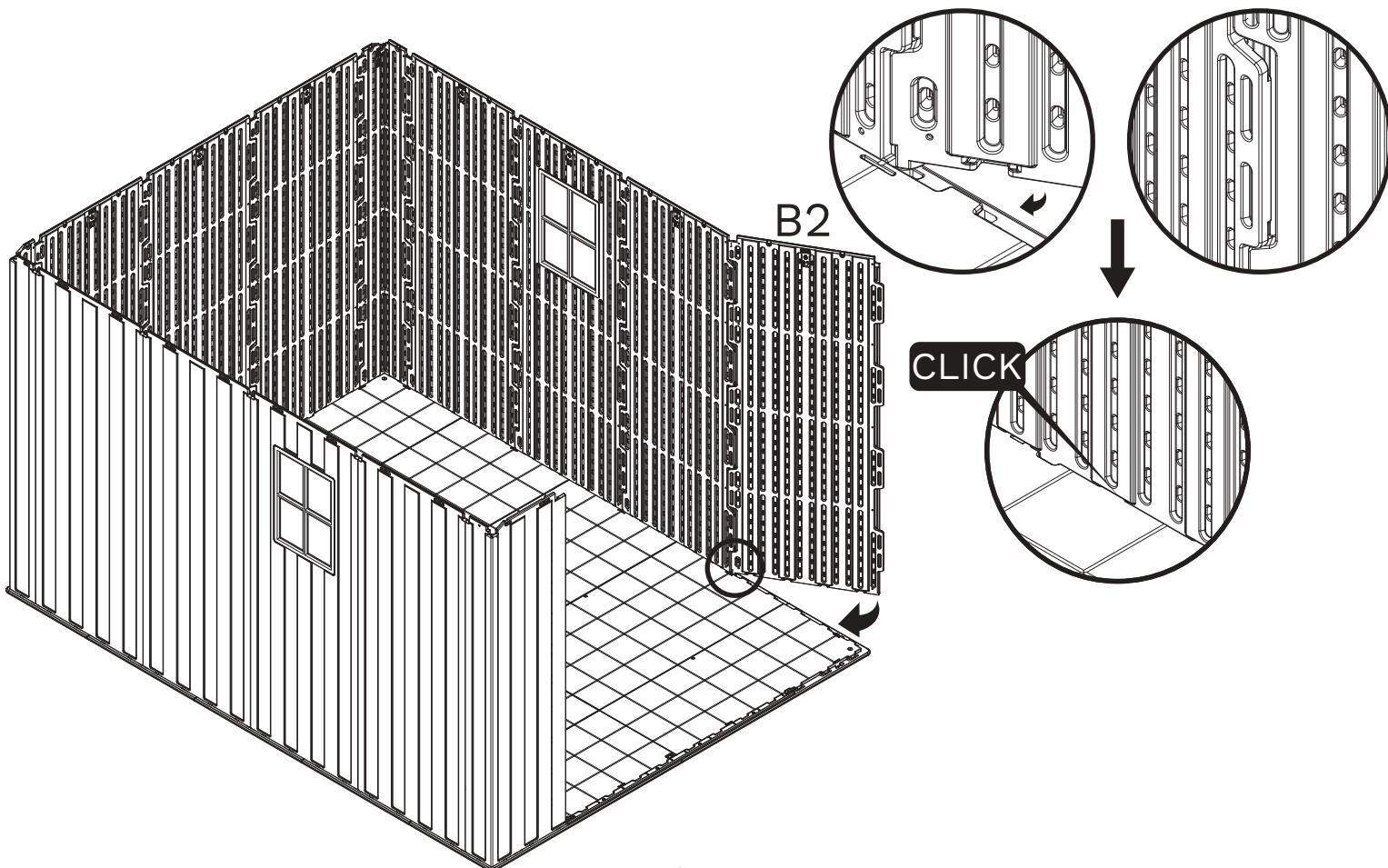




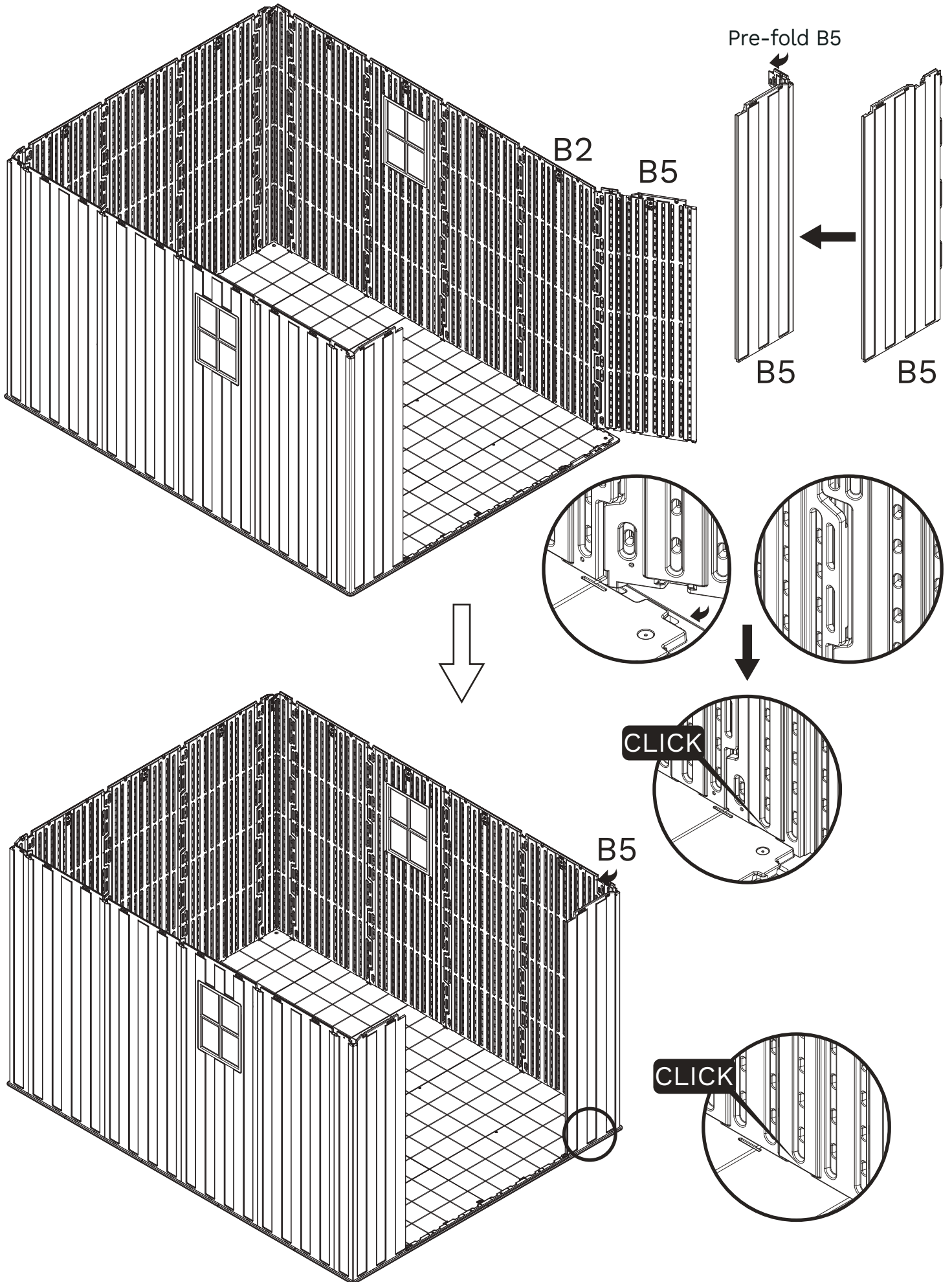
# STEP 27



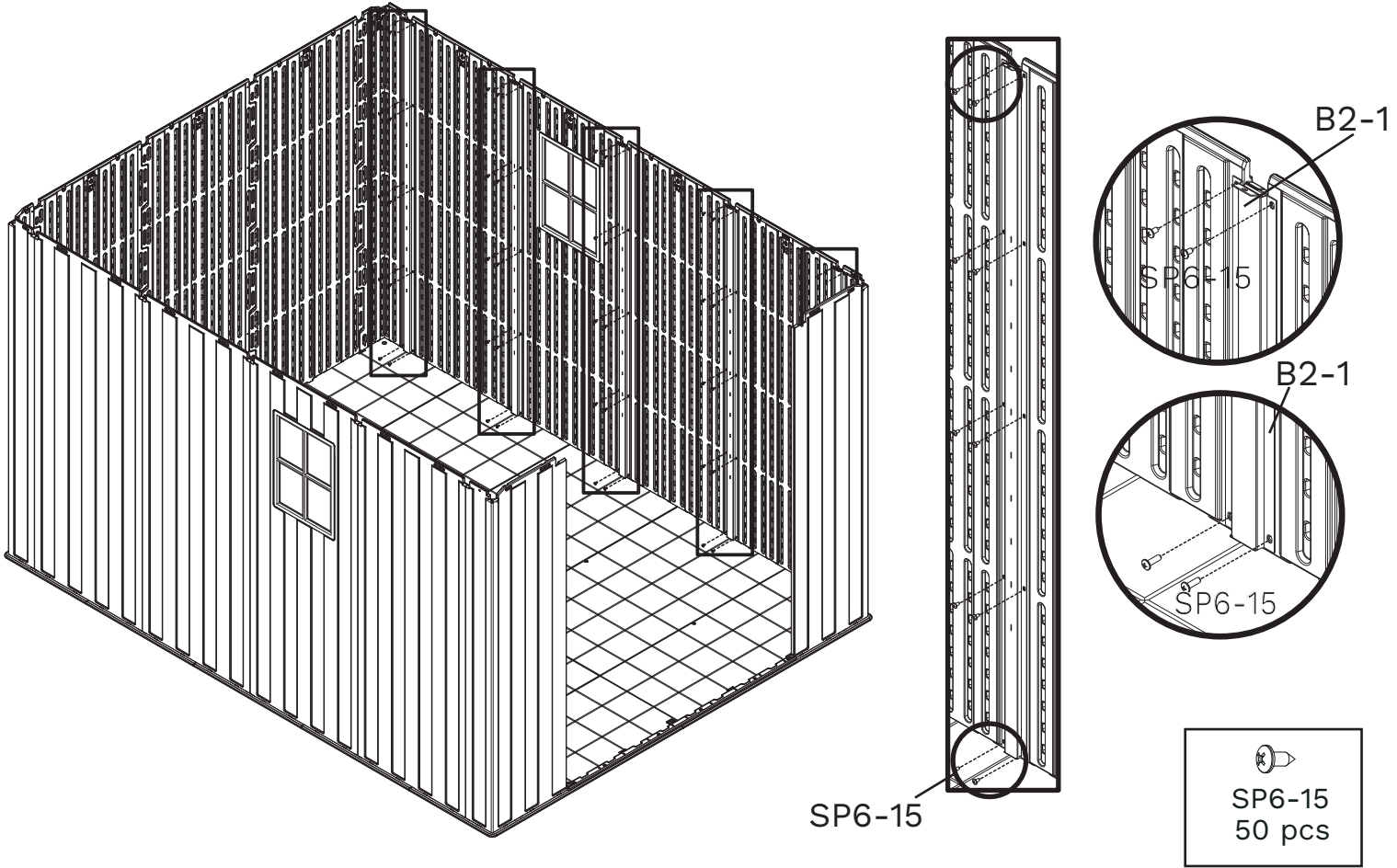
# STEP 28



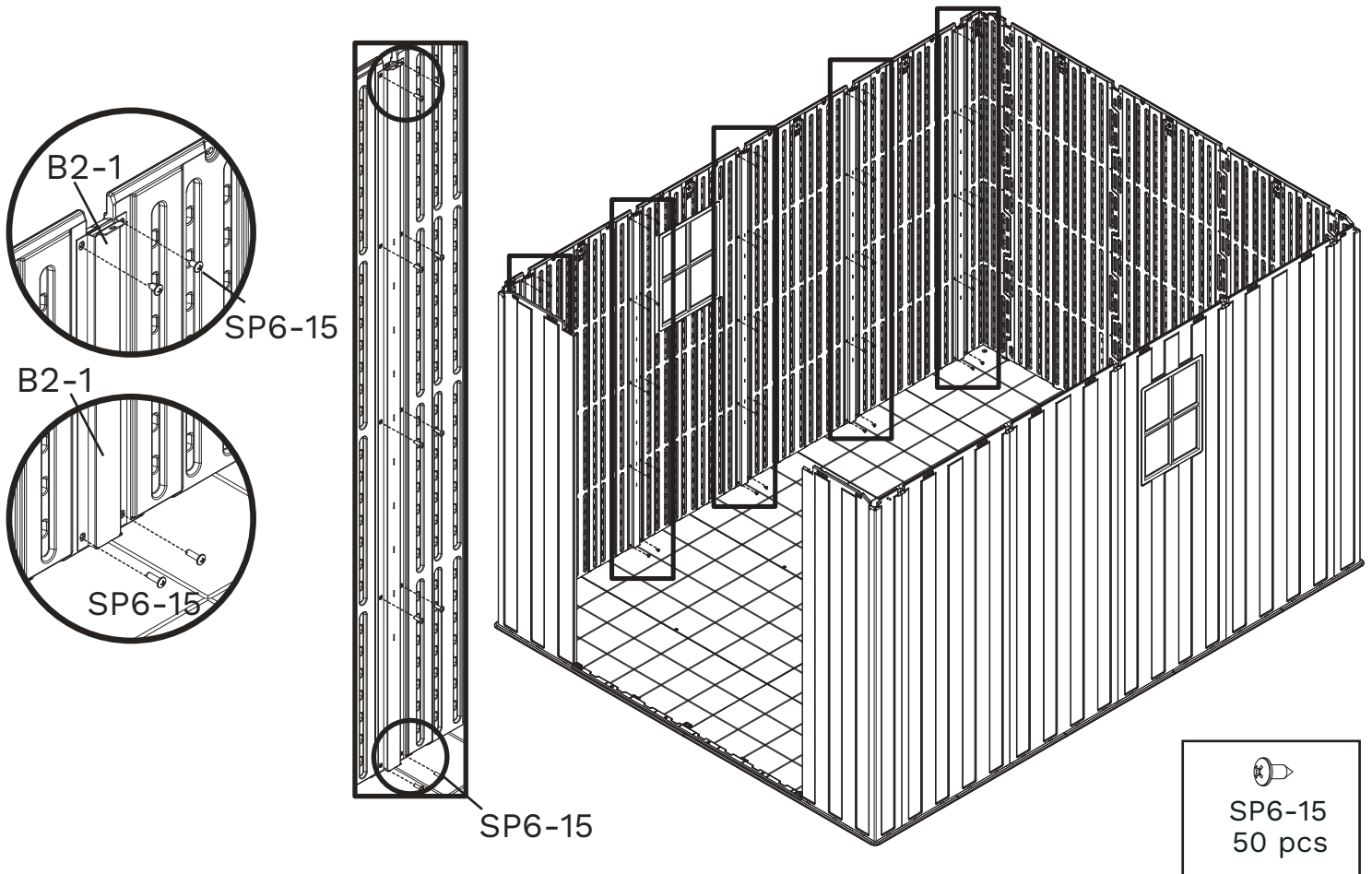
# STEP 29



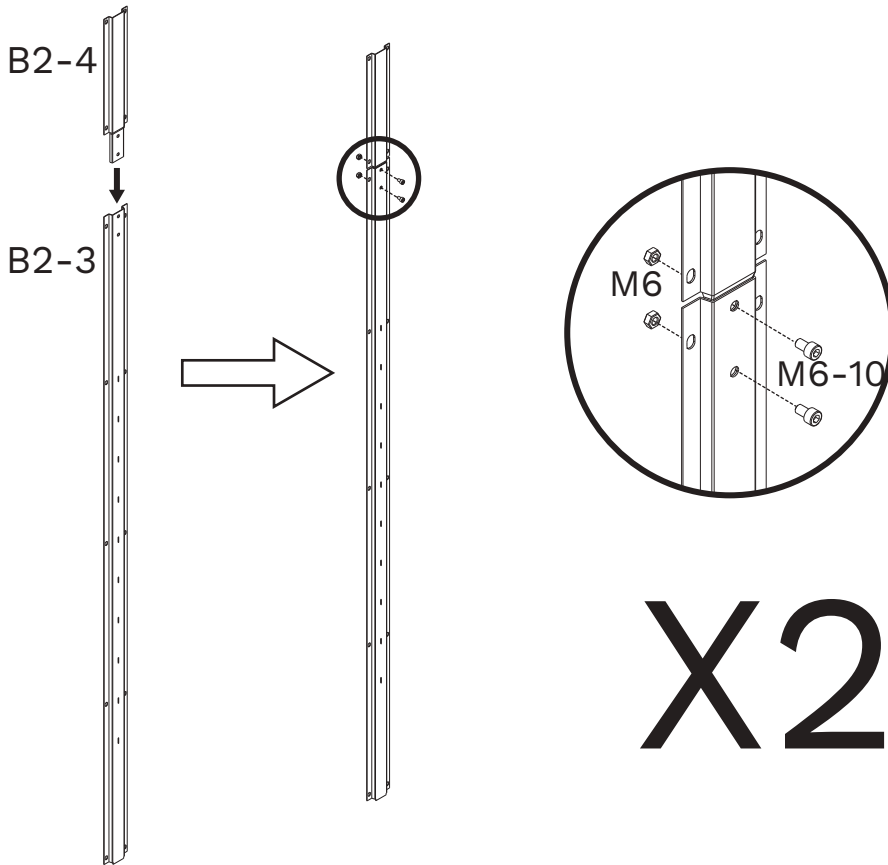
# STEP 30





# STEP 31

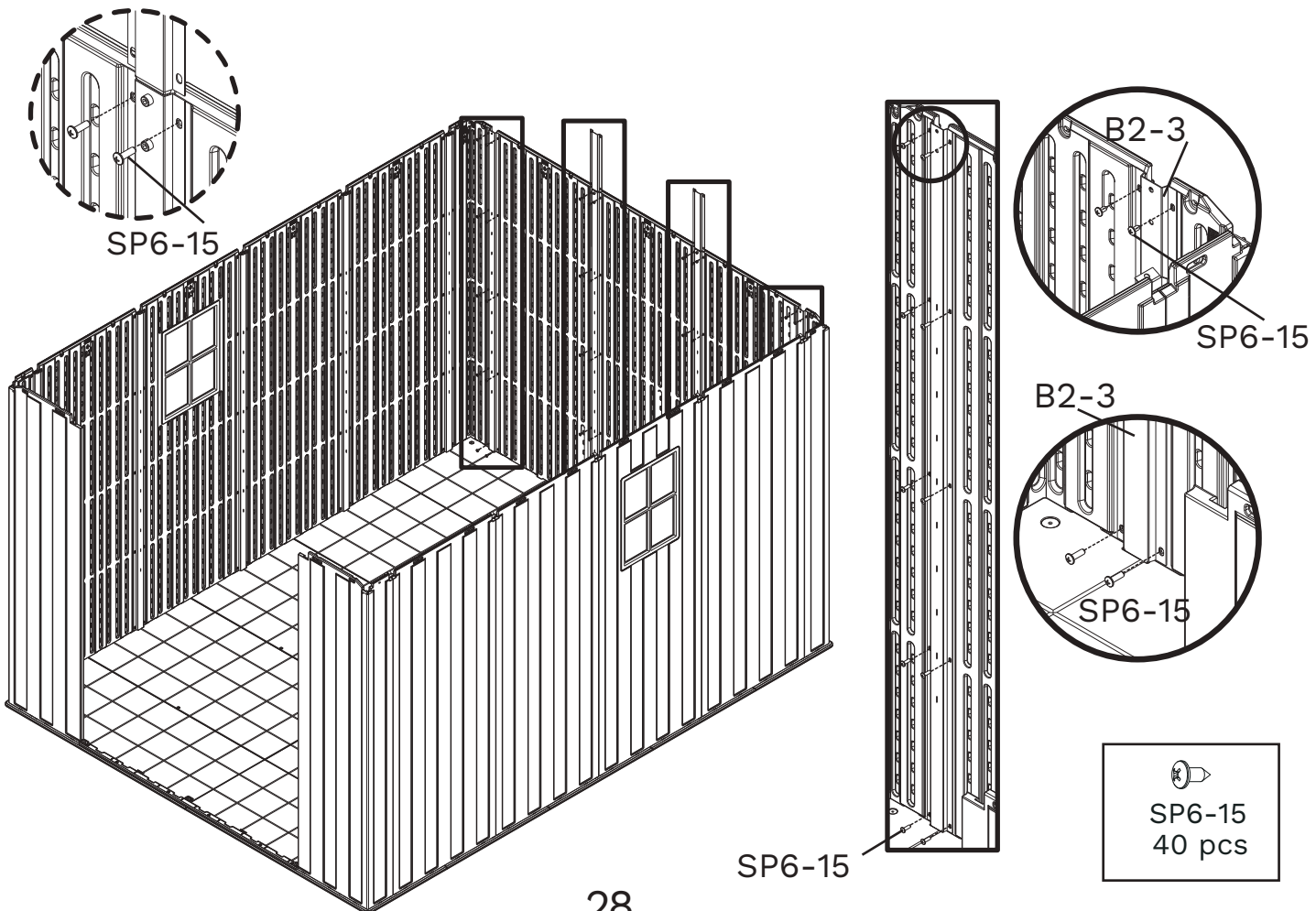



# STEP 32



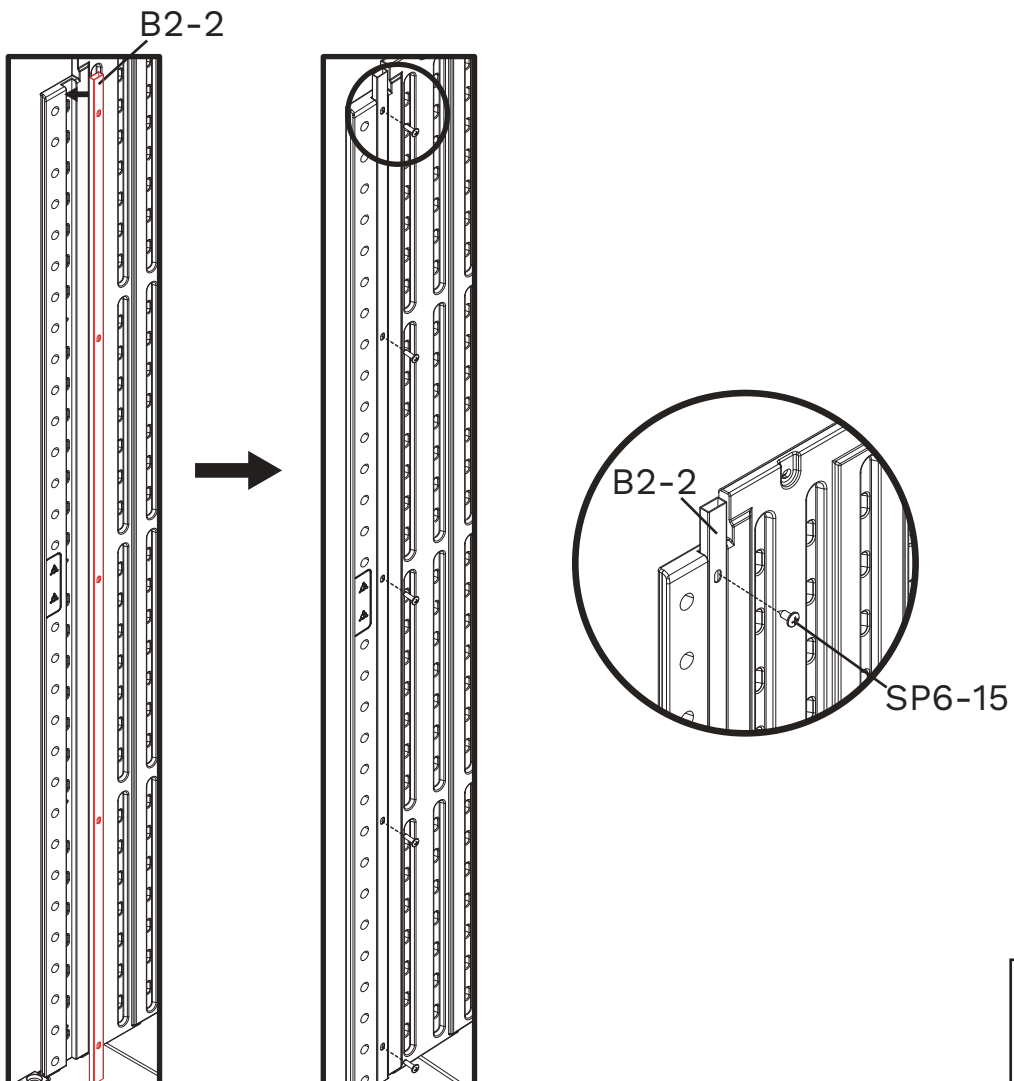
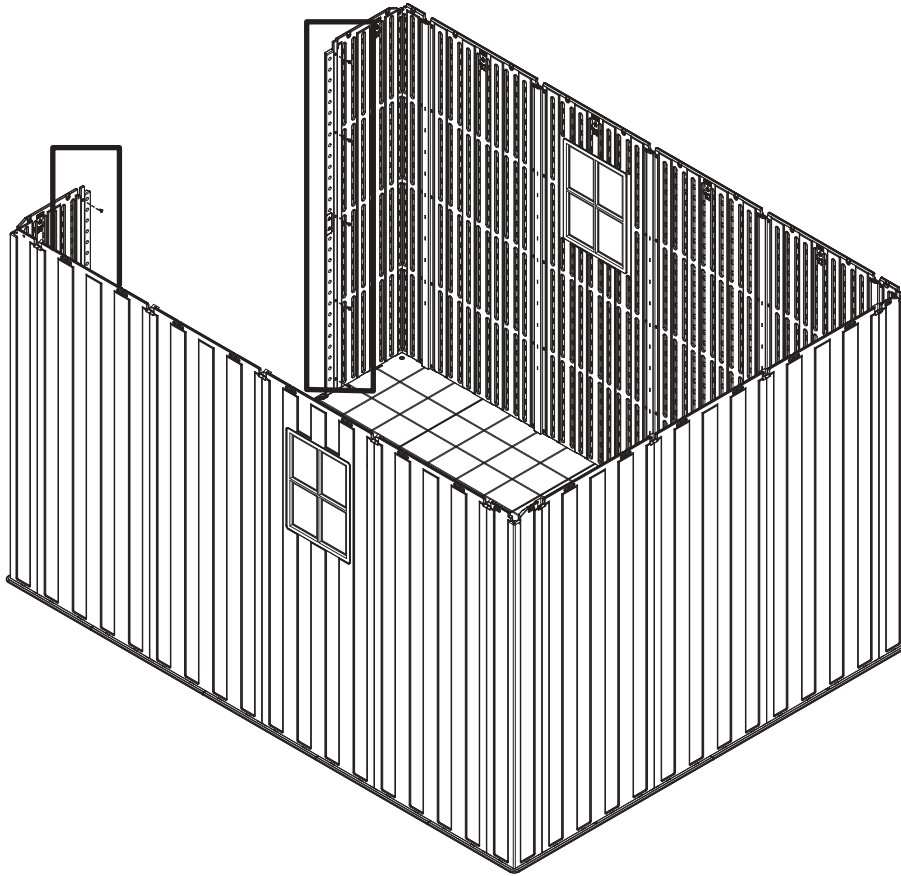
	
M6-10	M6
4 pcs	4 pcs


# STEP 33

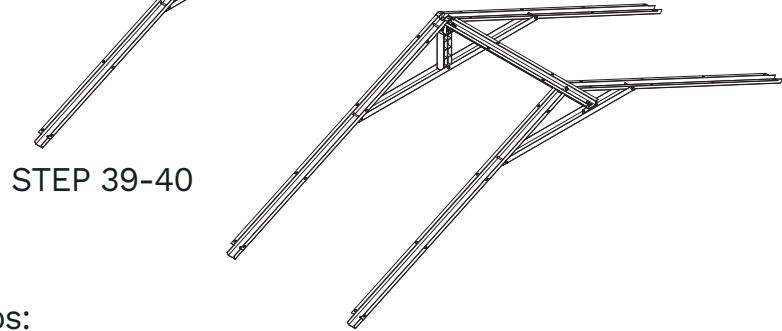
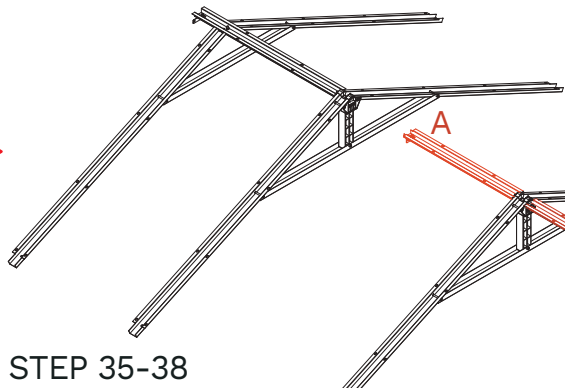
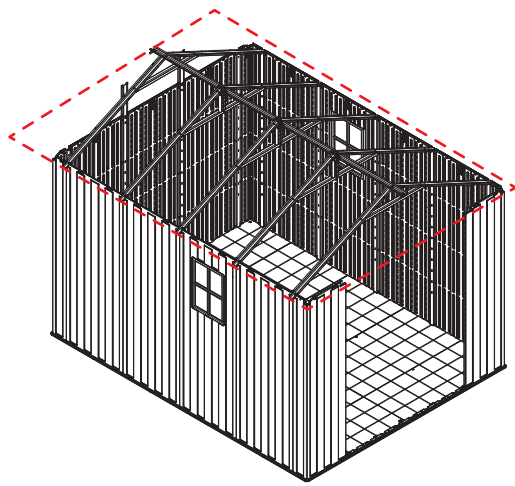



SP6-15
40 pcs

# STEP 34



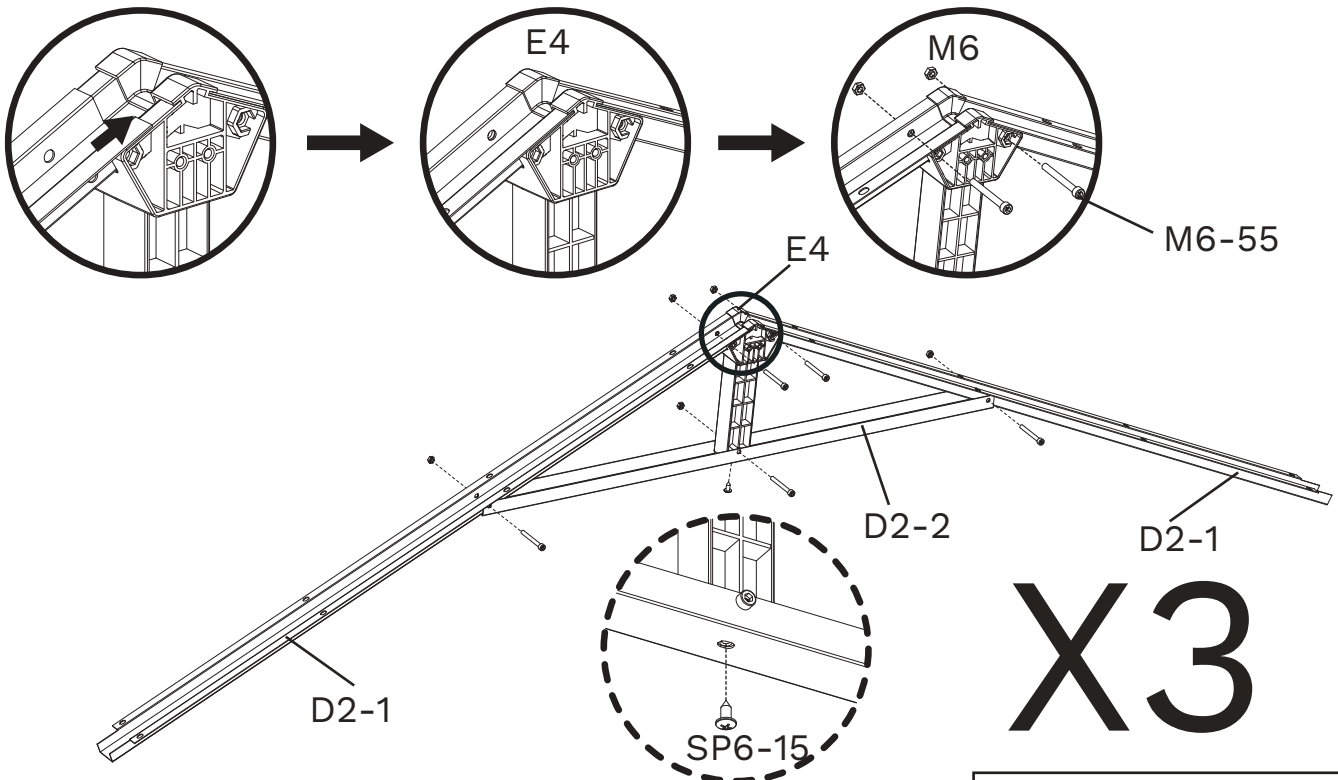
  
SP6-15  
10 pcs






STEP 35-38

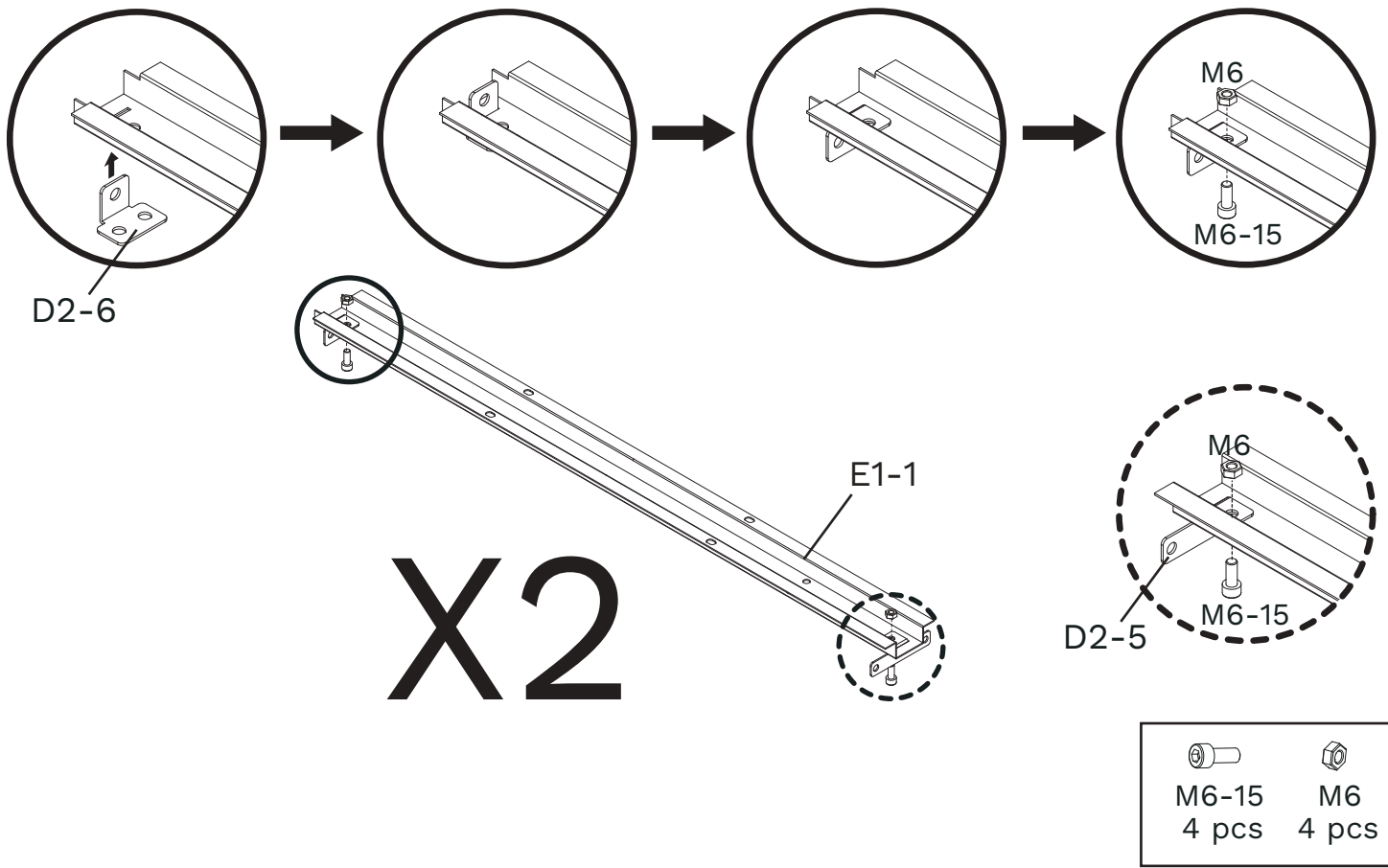
Beam installation can be divided into three groups: the installation steps for the front and rear components can be found in STEP 35-38, while the installation steps for the middle components are detailed in STEP 39-40. Install the front and rear components first, then install the middle components. When installing the middle components, please use your hands to support Area A.

## STEP 35

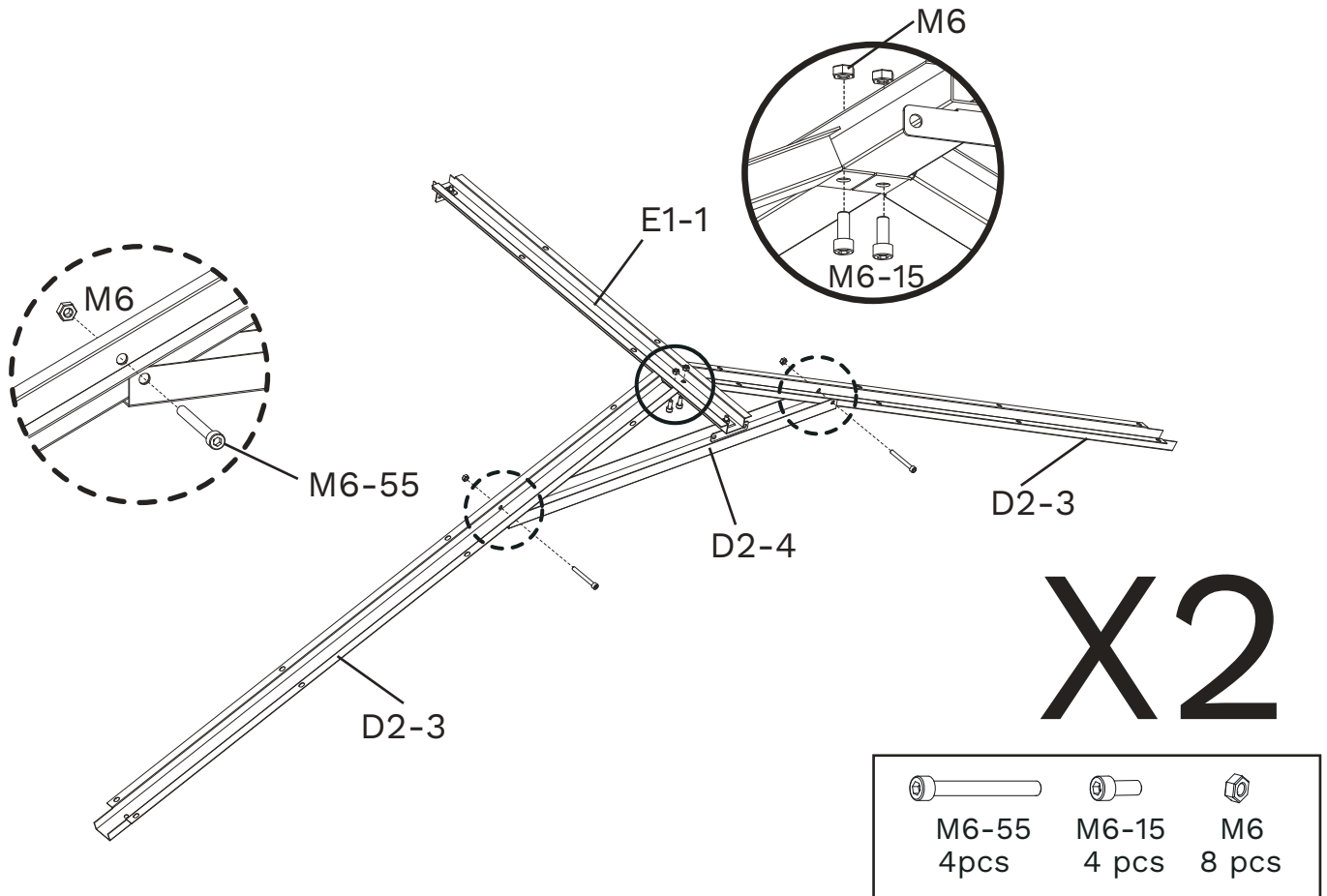


		
M6-55	SP6-15	M6
15 pcs	3 pcs	15 pcs

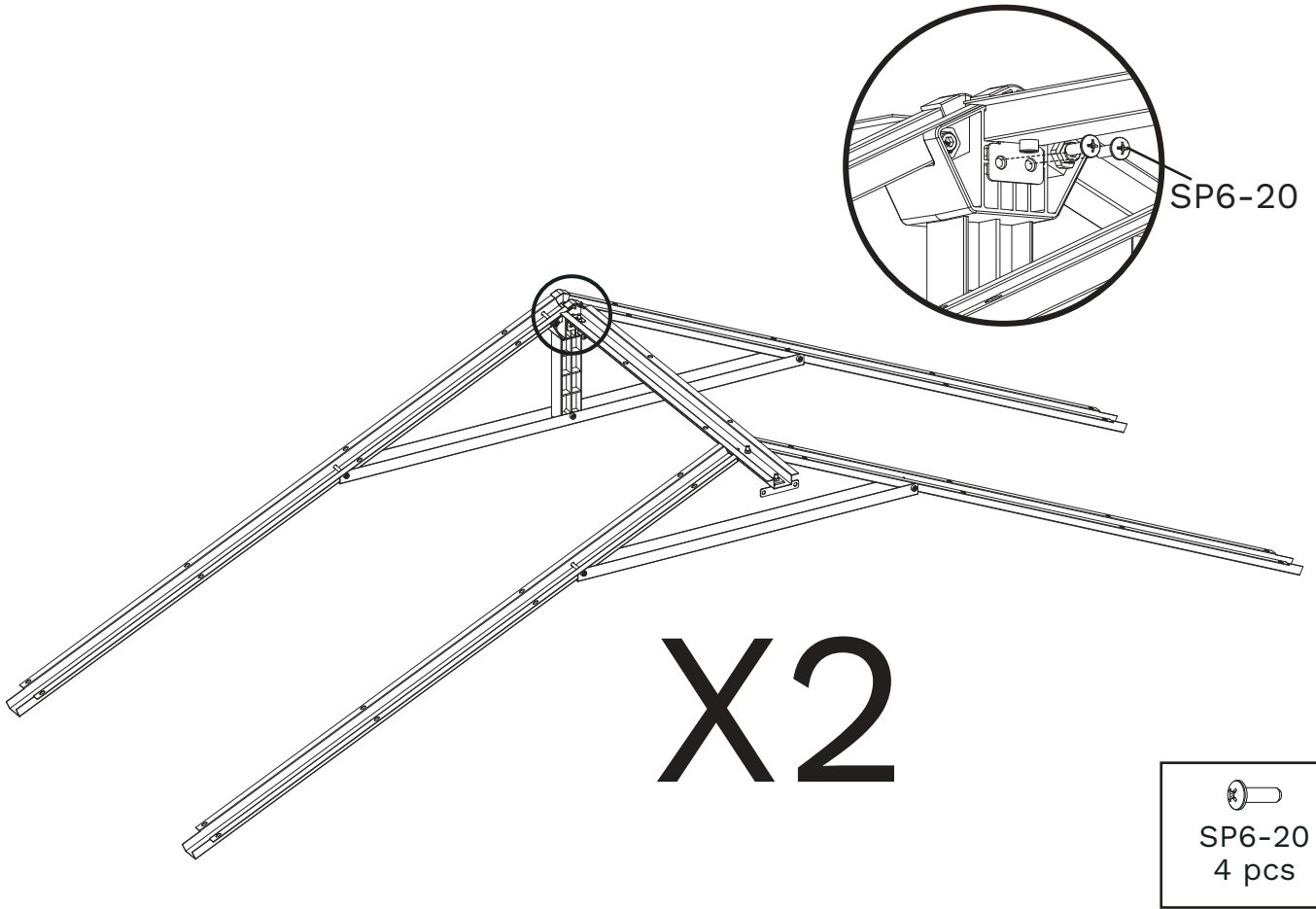
# STEP 36



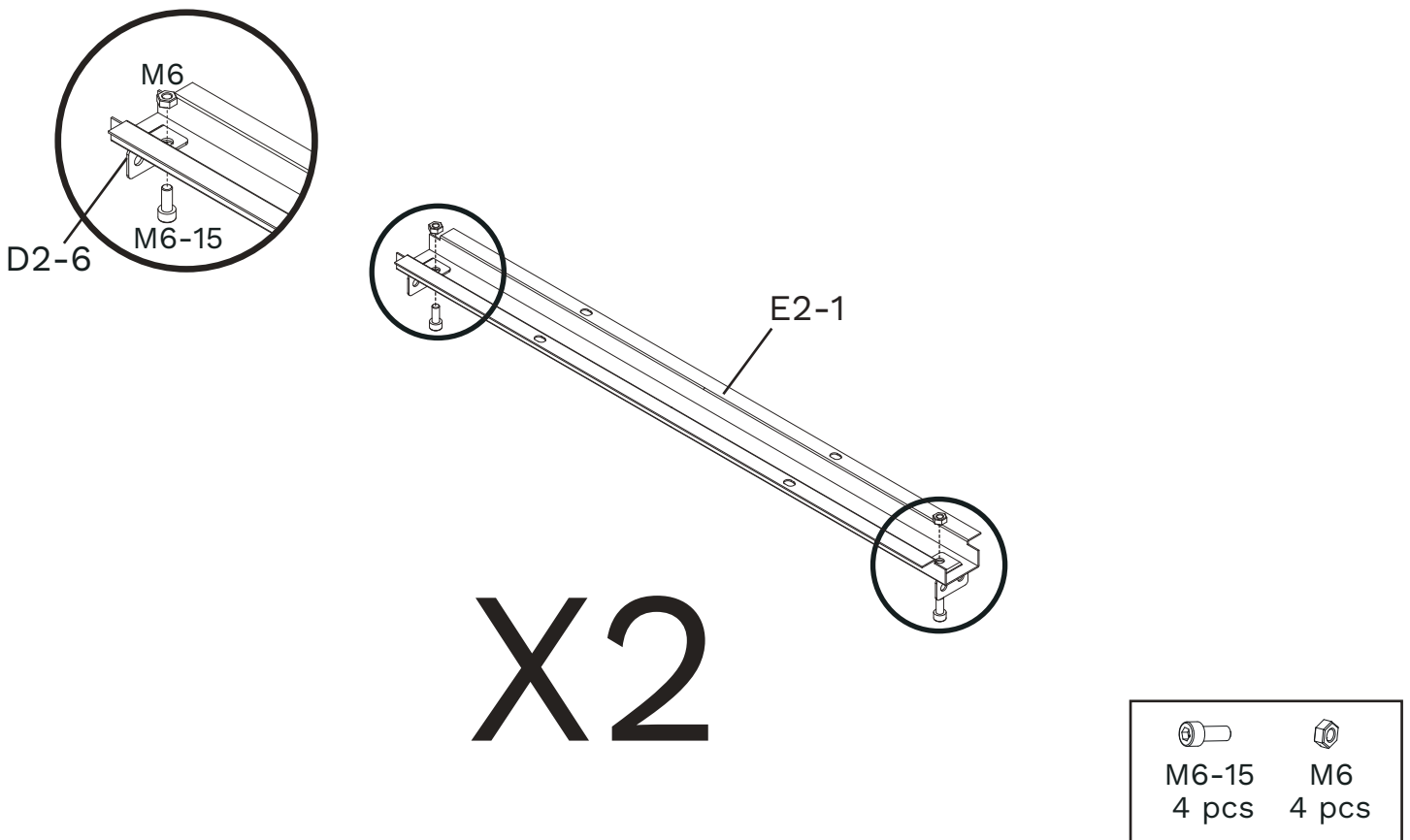
# STEP 37



# STEP 38

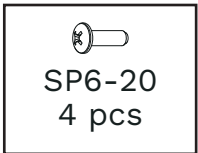
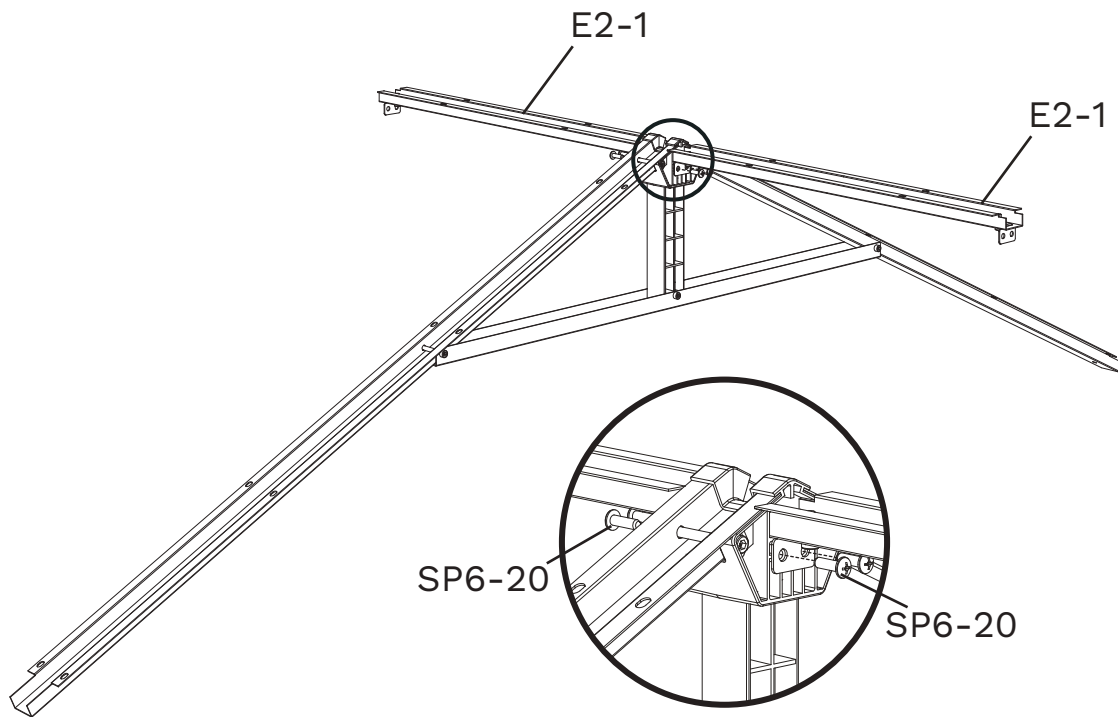


# STEP 39

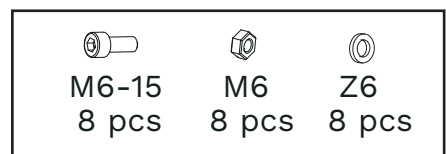
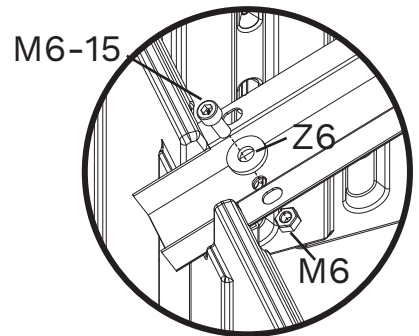
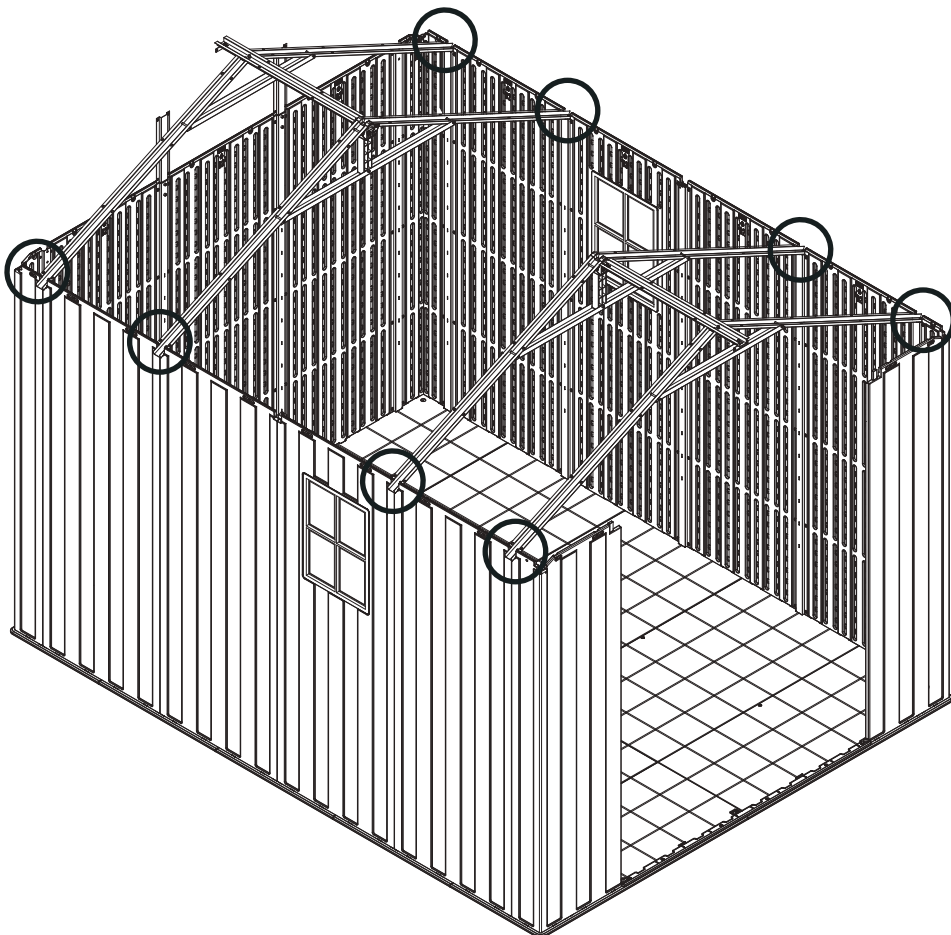




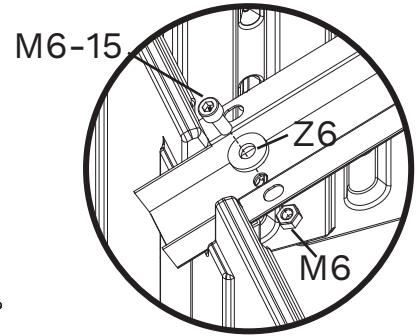
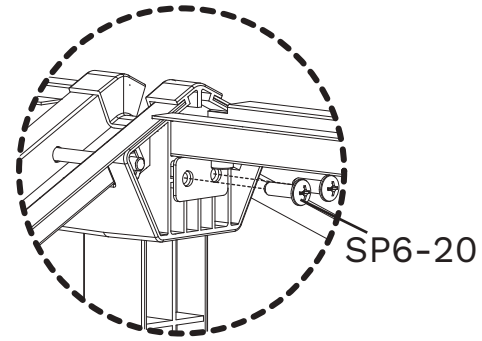
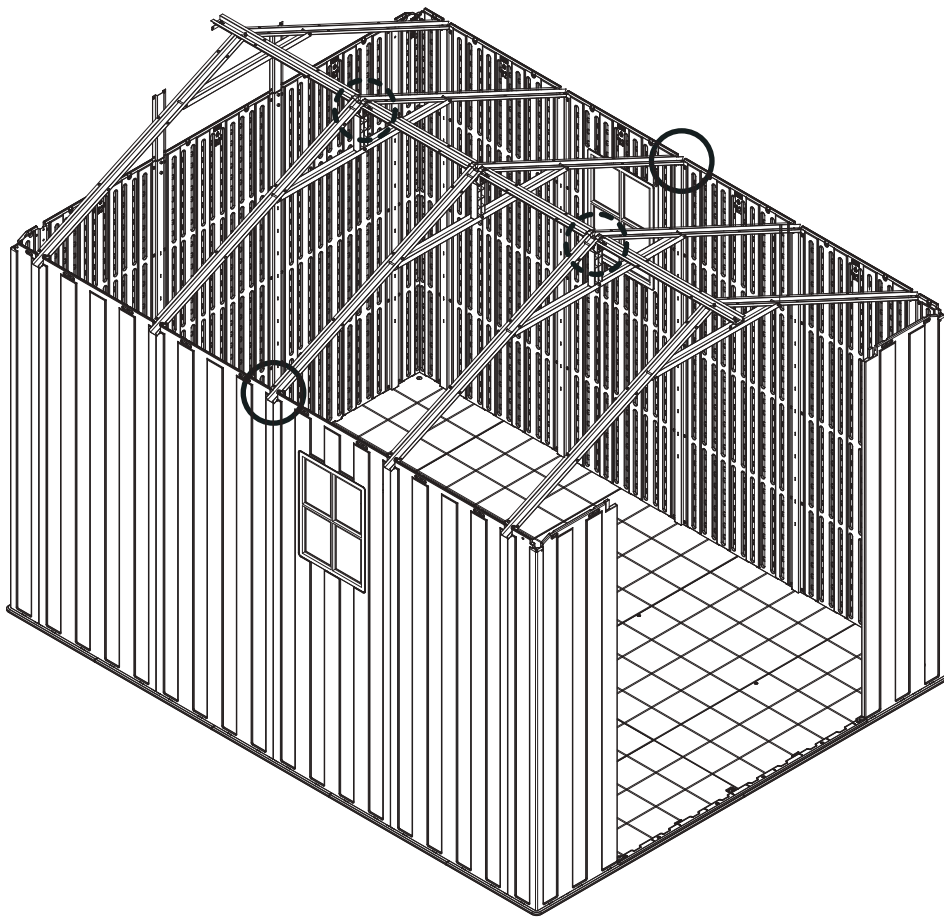
# STEP 40







# STEP 41

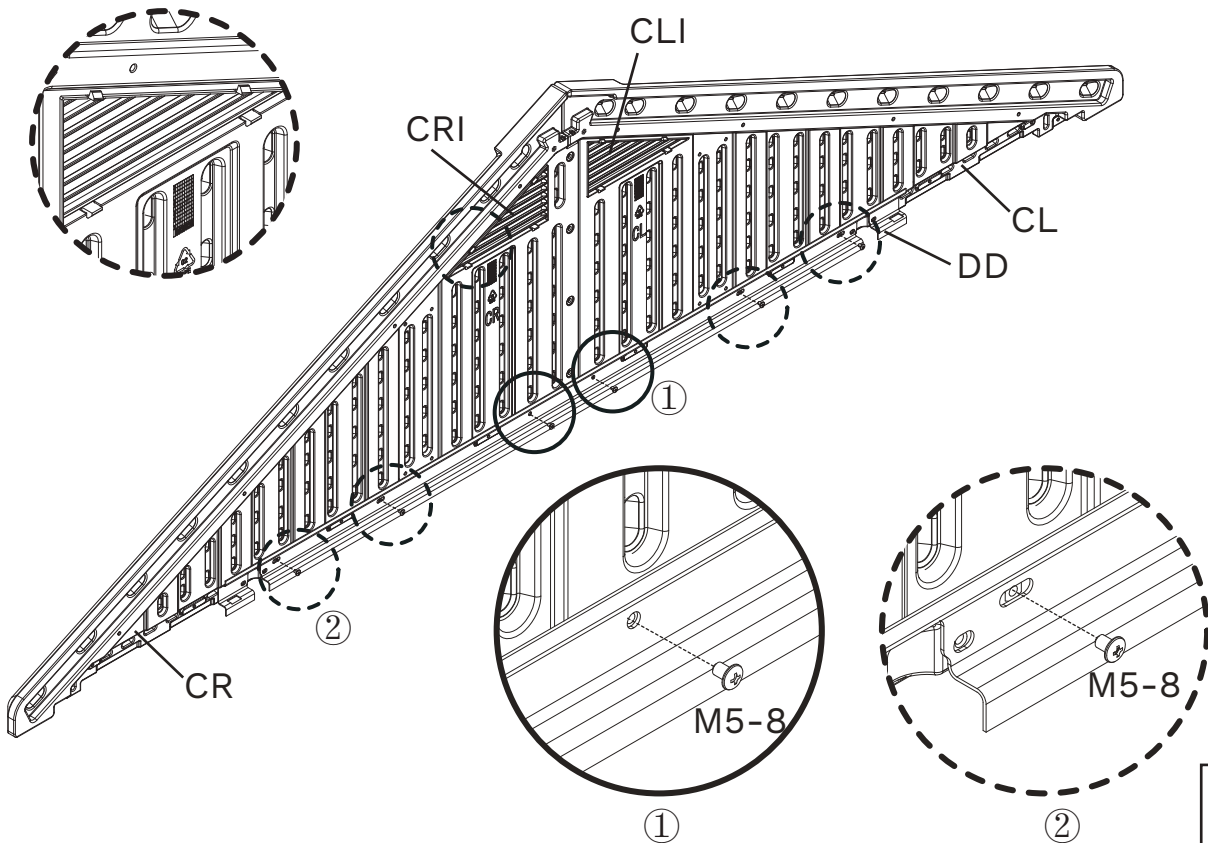



# STEP 42



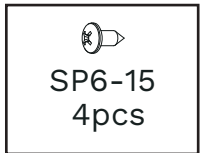
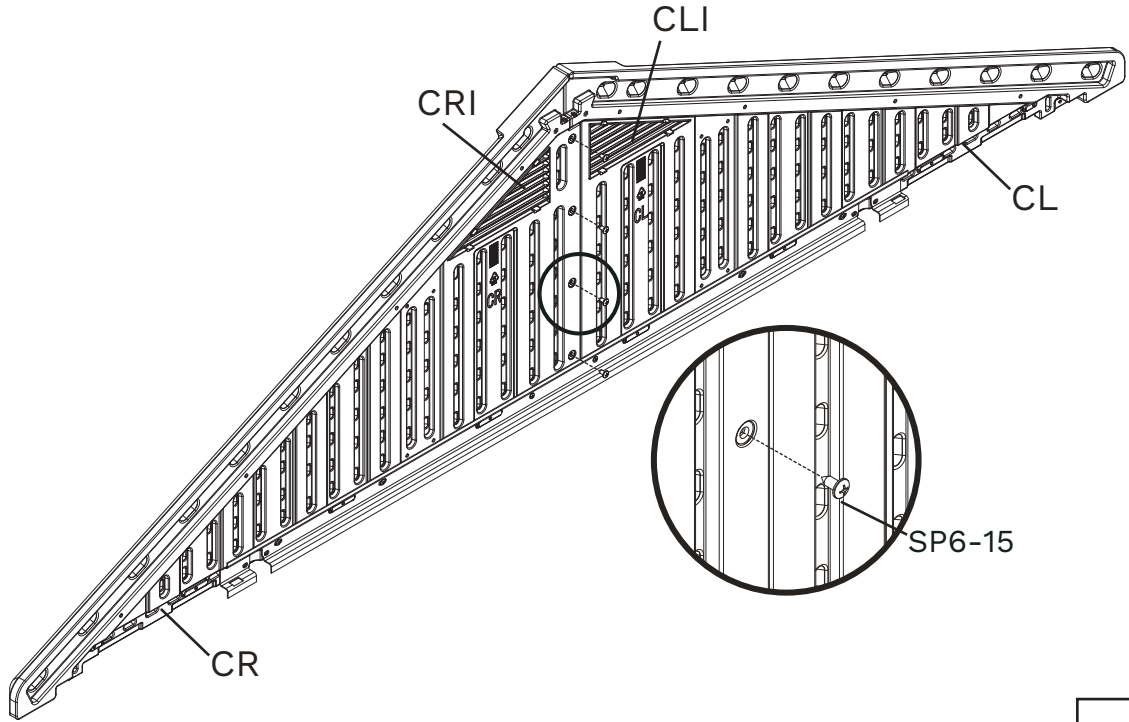
			
M6-15	M6	Z6	SP6-20
2 pcs	2 pcs	2 pcs	4 pcs

# STEP 43

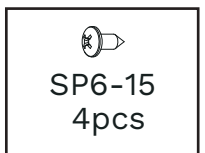
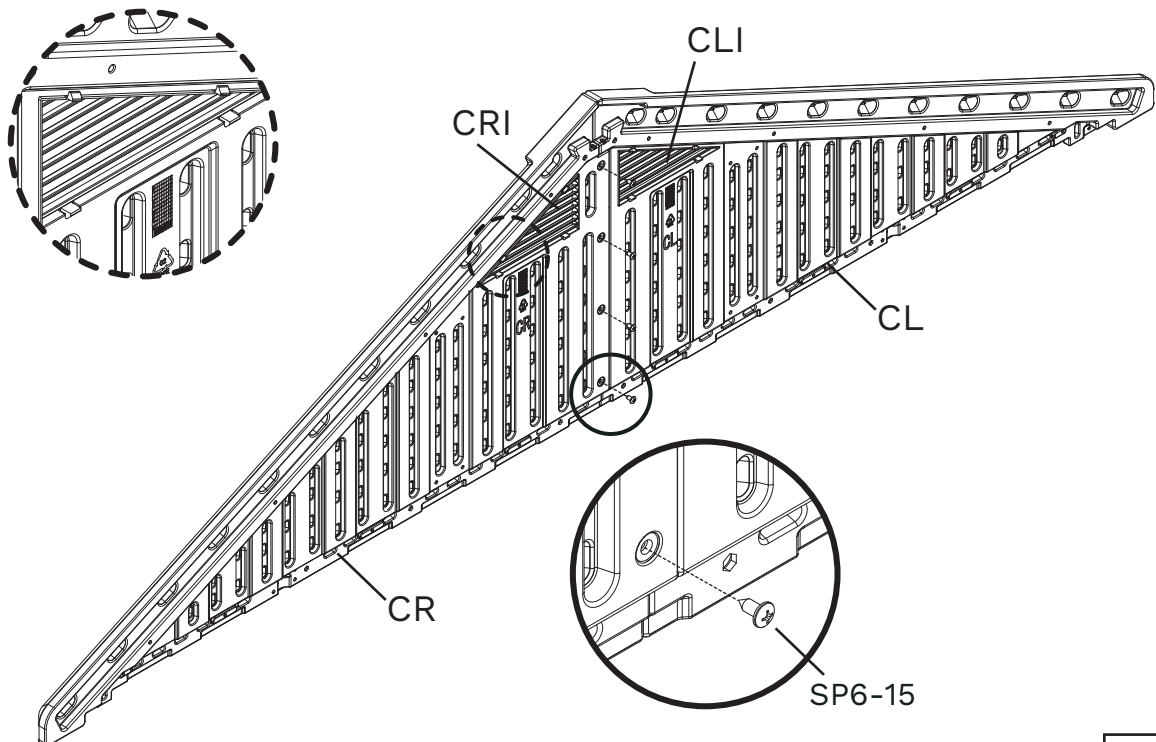



M5-8
6 pcs

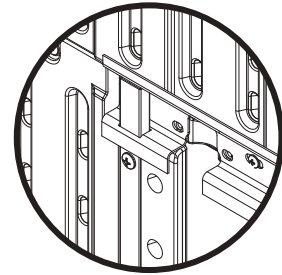
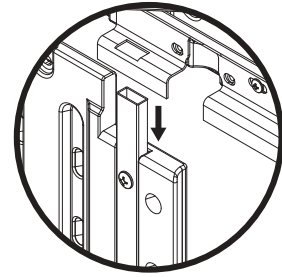
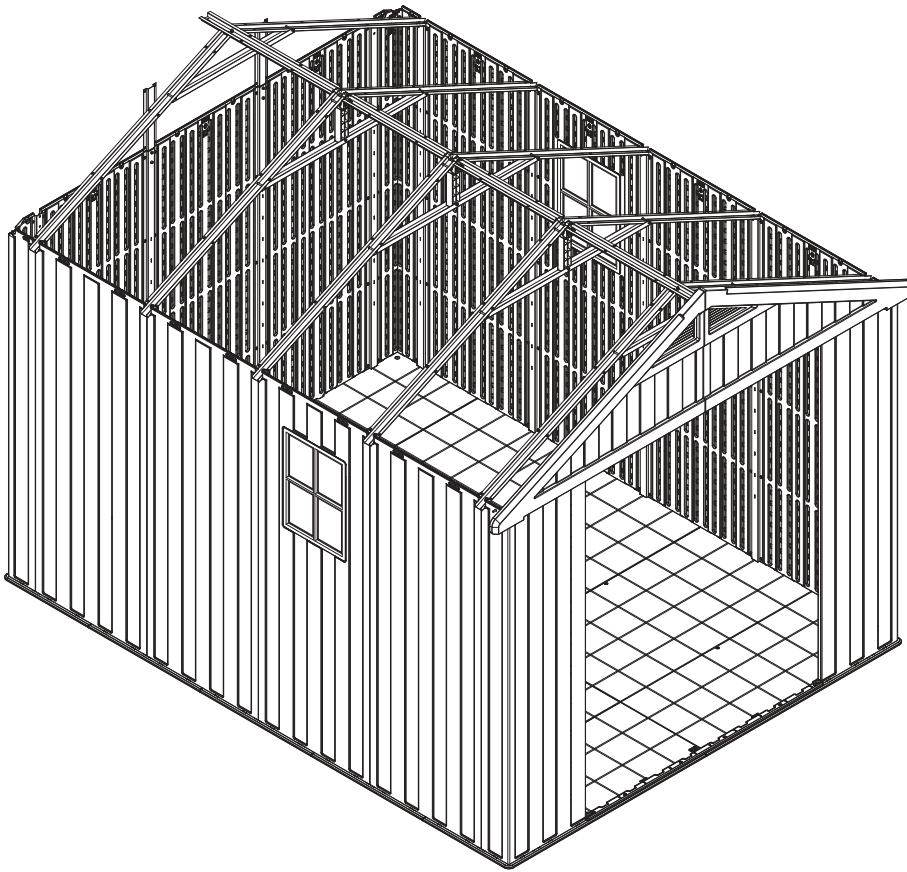
# STEP 44



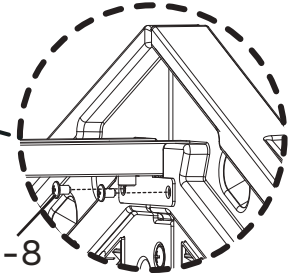
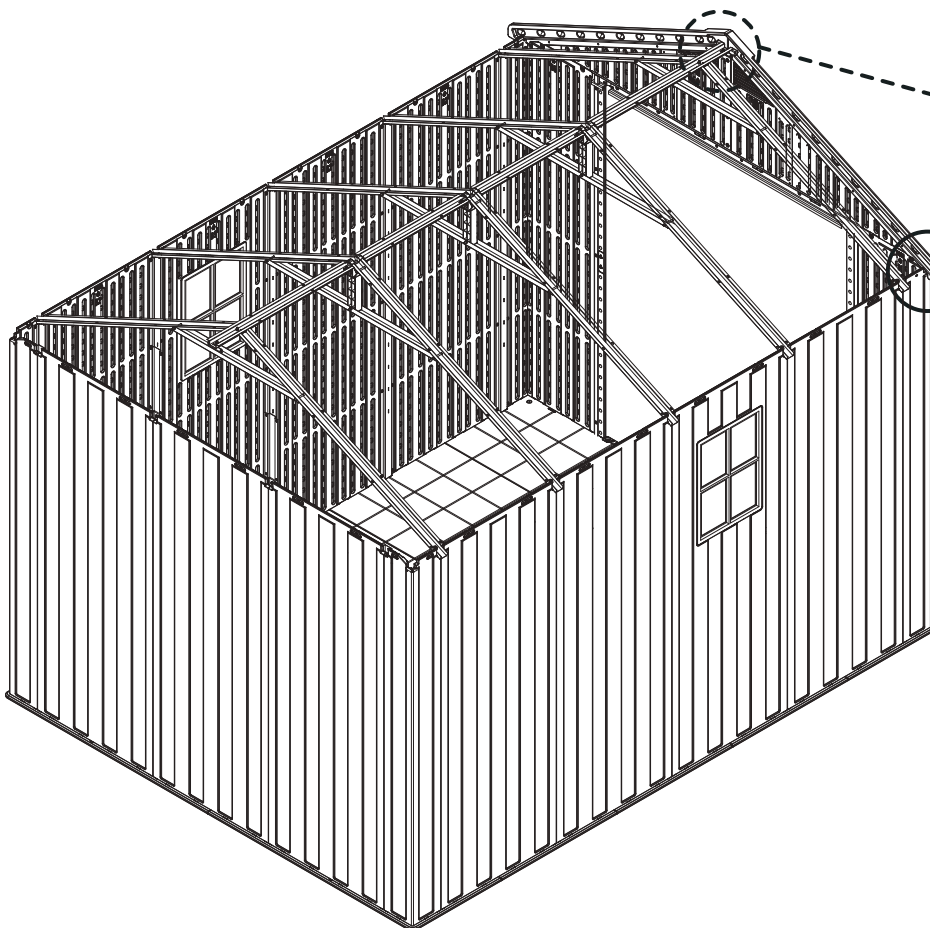
# STEP 45



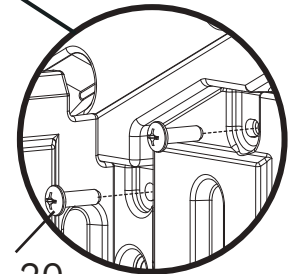
# STEP 46





# STEP 47



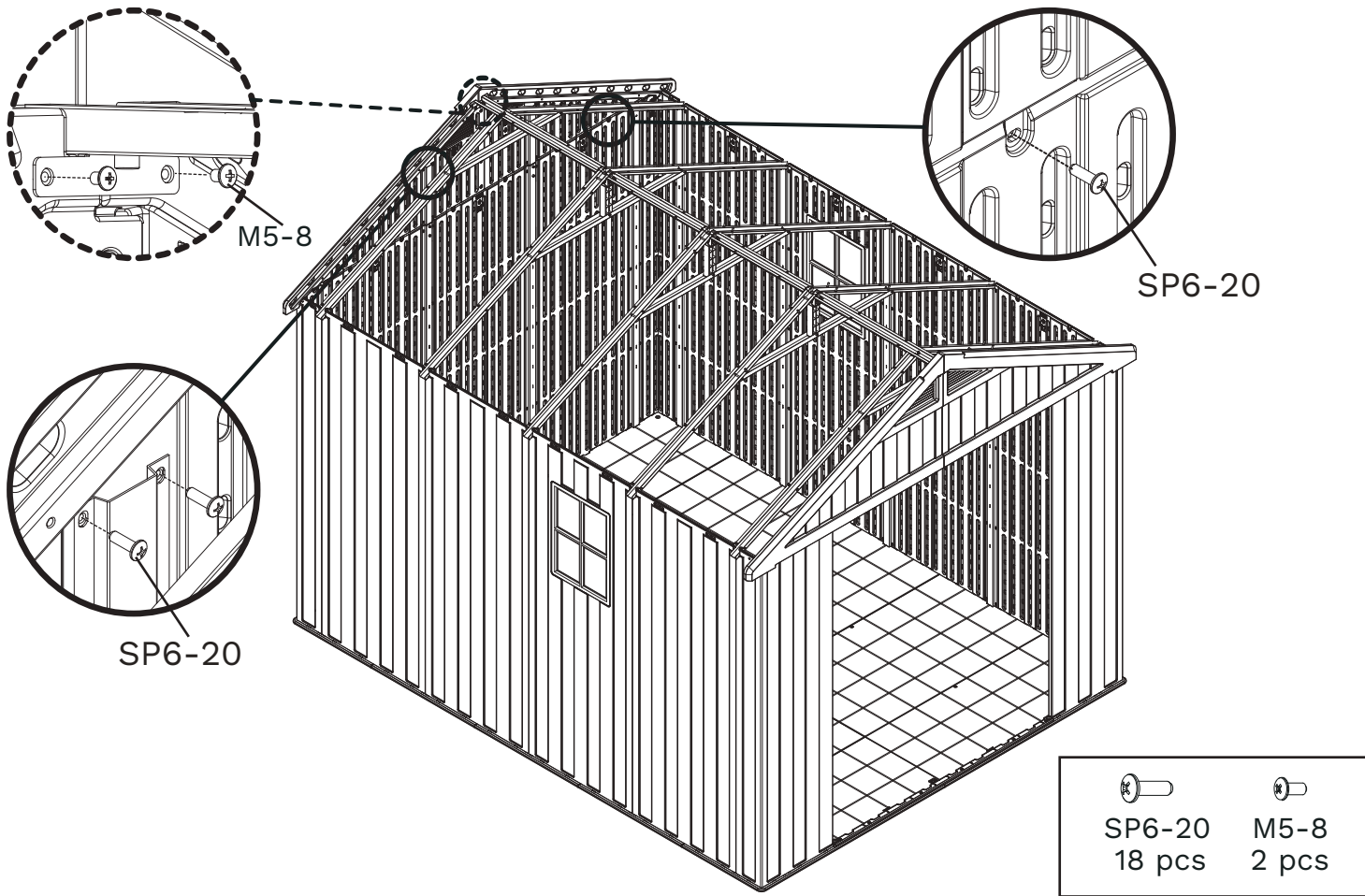
M5-8



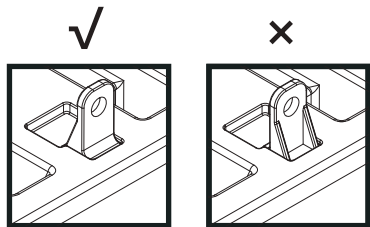
SP6-20

	
SP6-20	M5-8
6 pcs	2 pcs

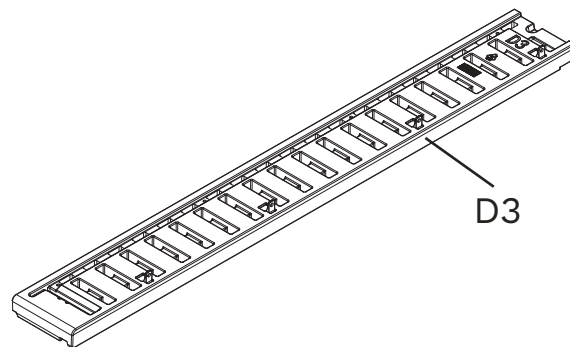
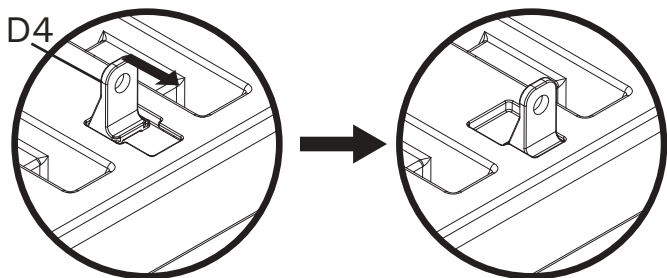
# STEP 48



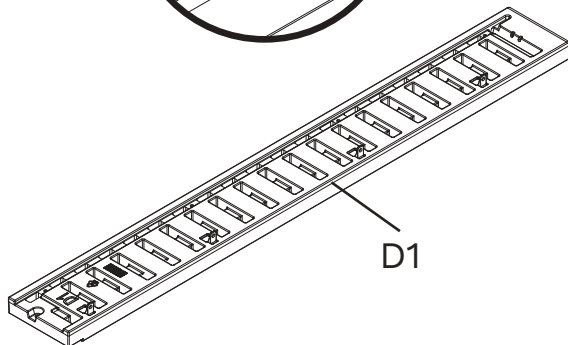
# STEP 49



Note the mounting direction of D4.

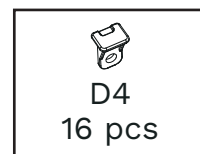


D3

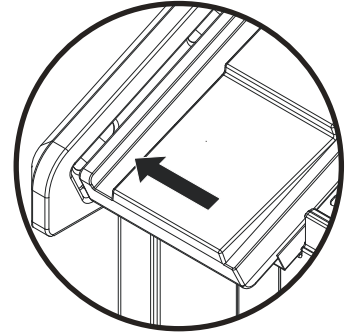
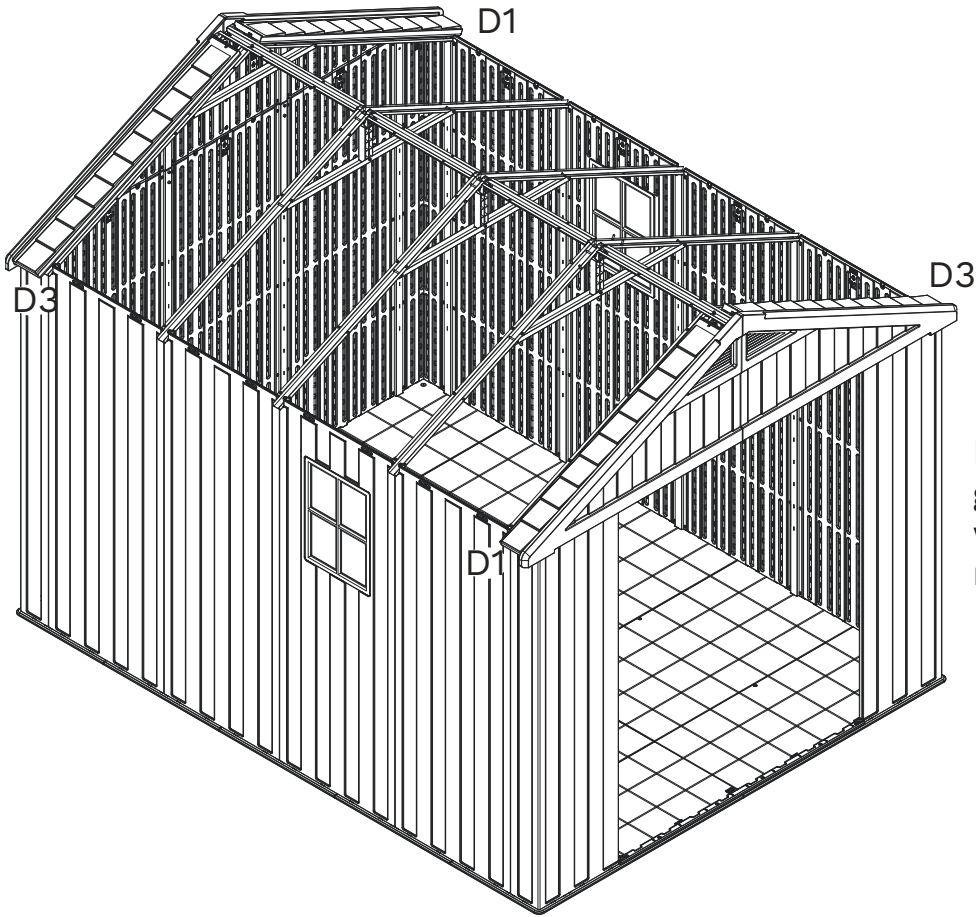


D1

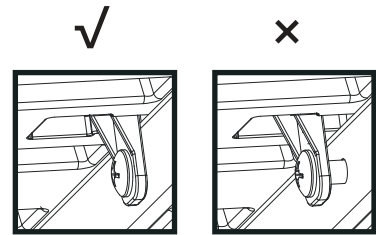
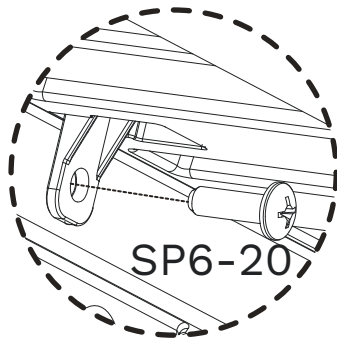
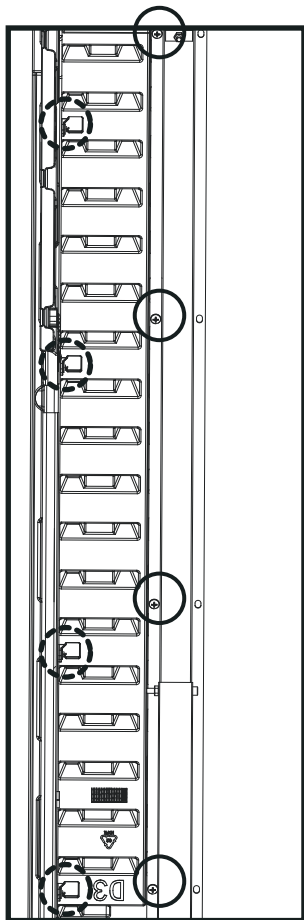
# X2



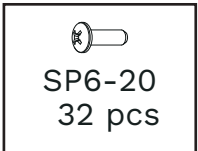
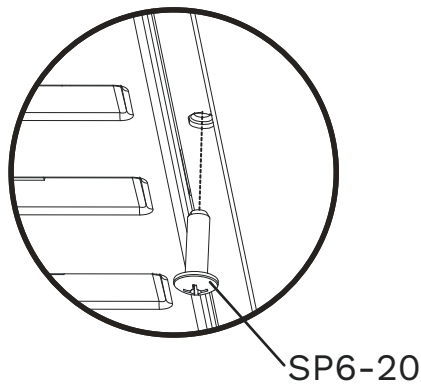
# STEP 50



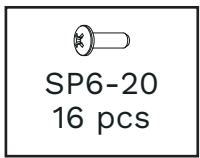
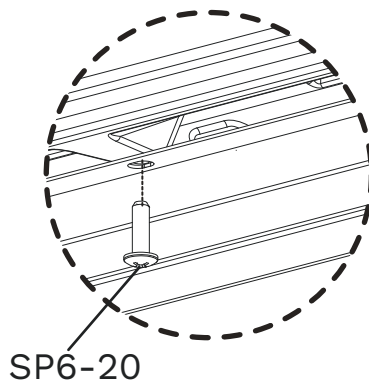
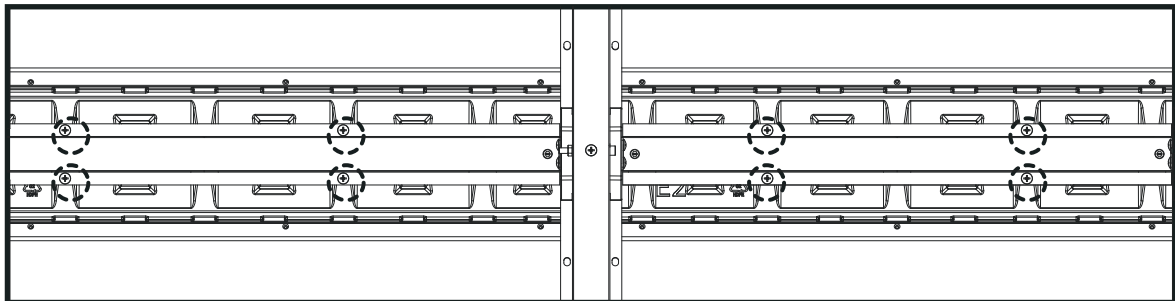
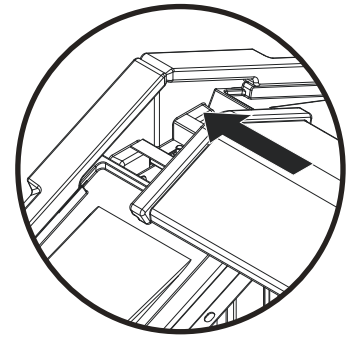
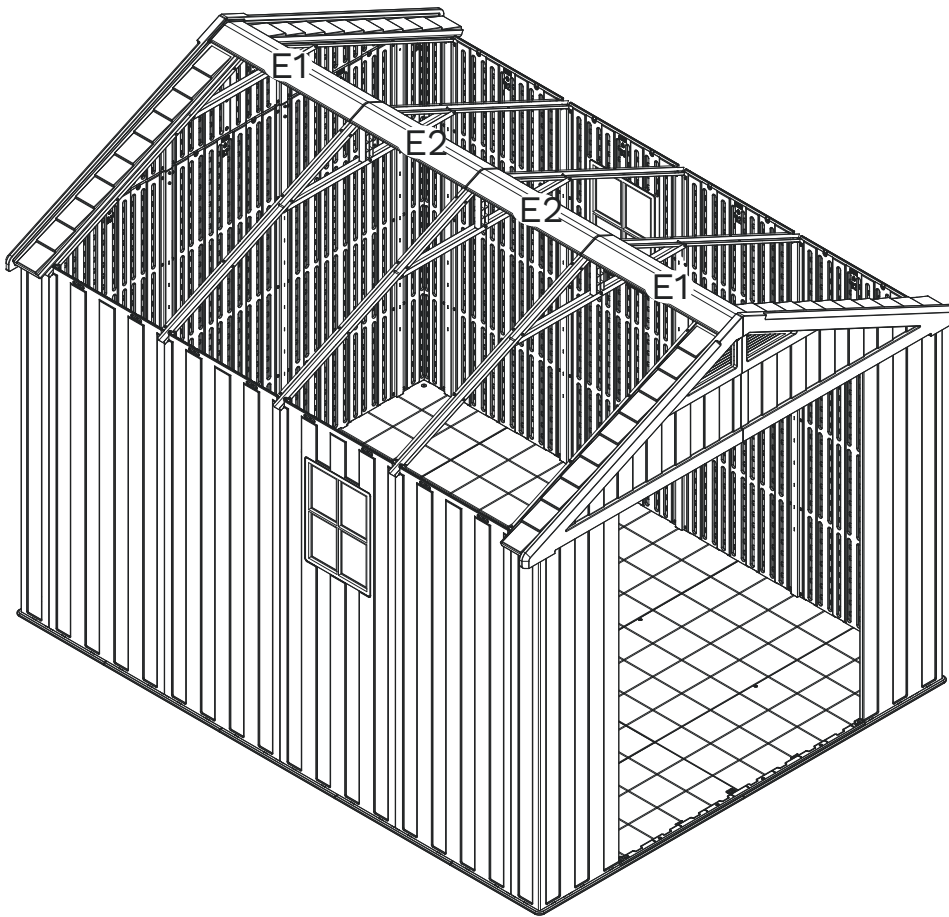
D1 and D3 are placed in the grooves of the iron frame, aligned with the grooves of the CL CR respectively and pushed forward.



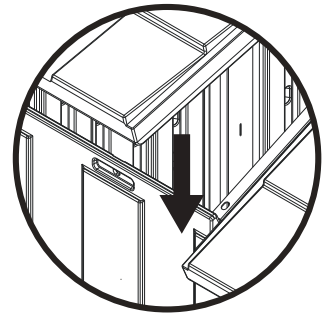
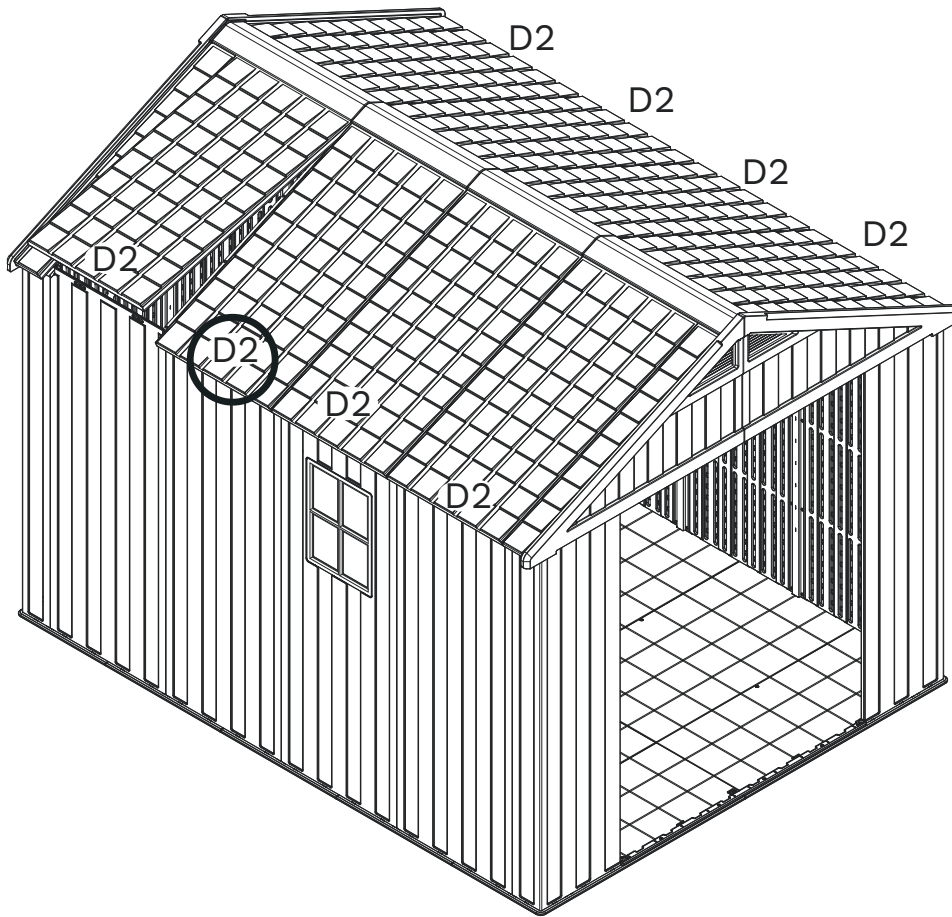
D4 should fit perfectly on the tripod.



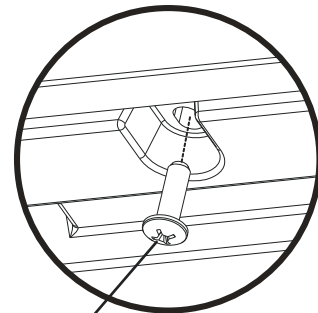
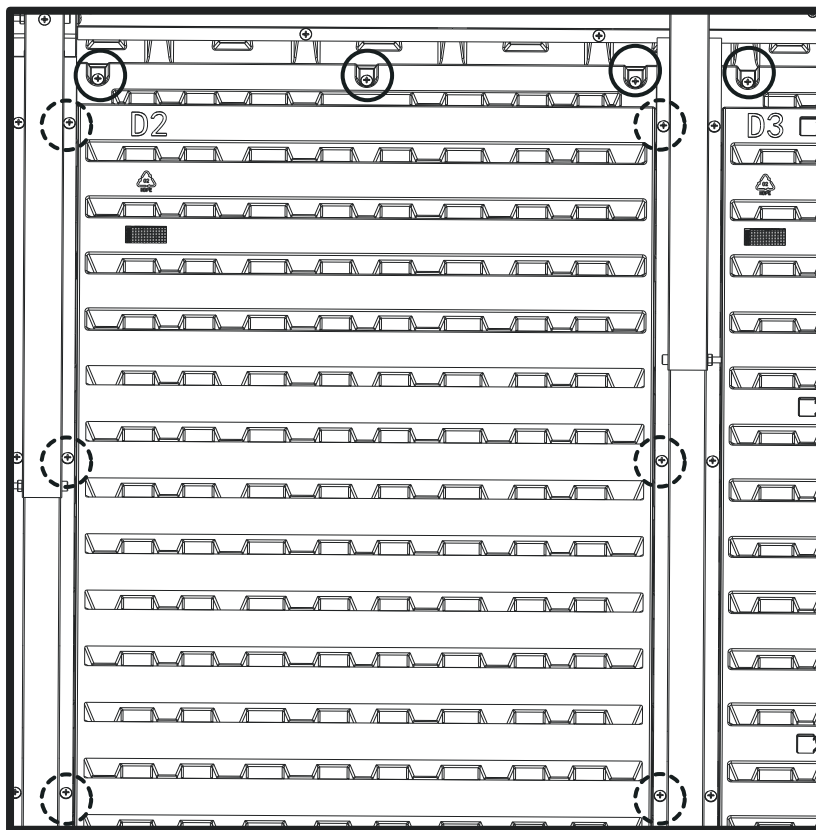
# STEP 51



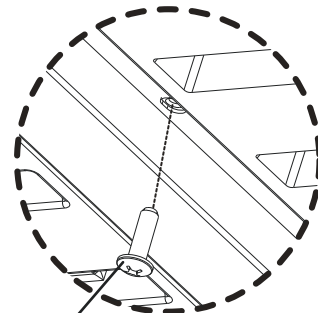
# STEP 52




Tilt D2 into place, find the corresponding position and put it down.



SP6-20

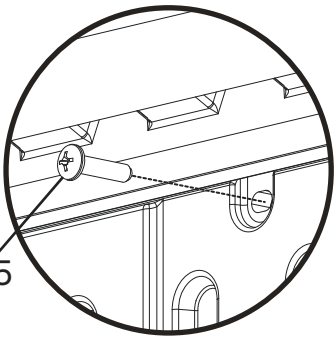
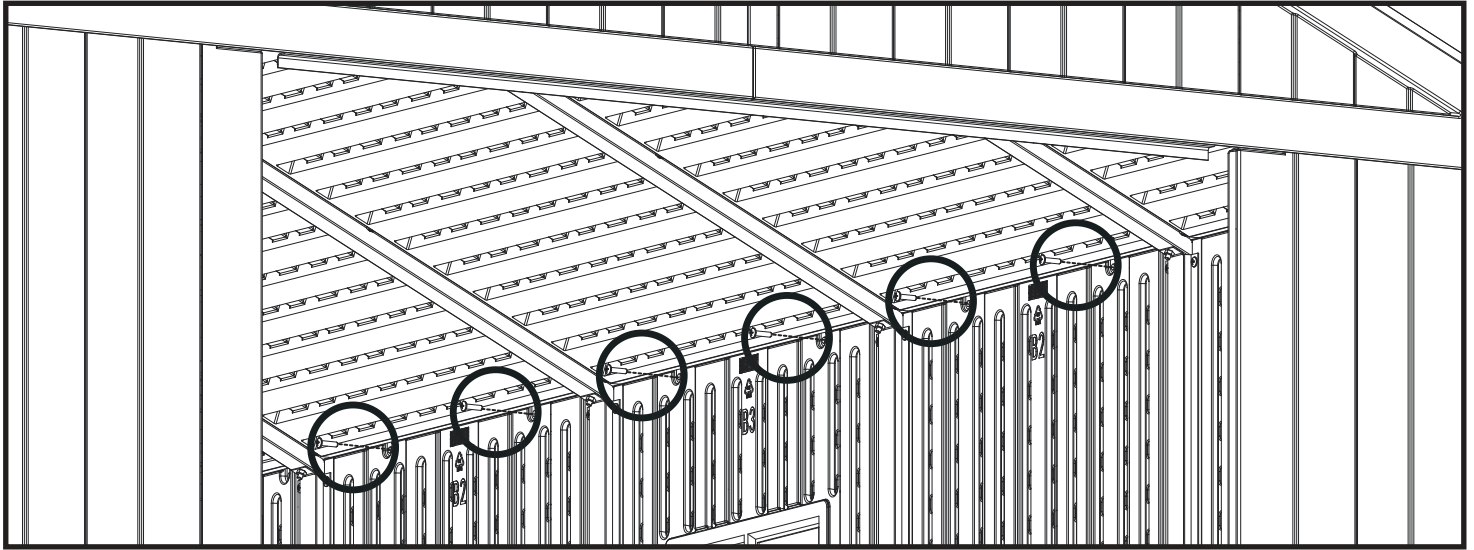


SP6-20

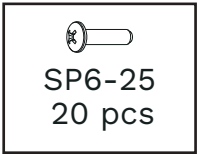
  
SP6-20  
92 pcs



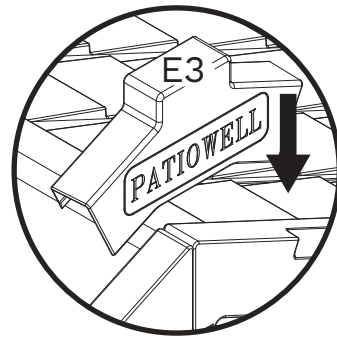
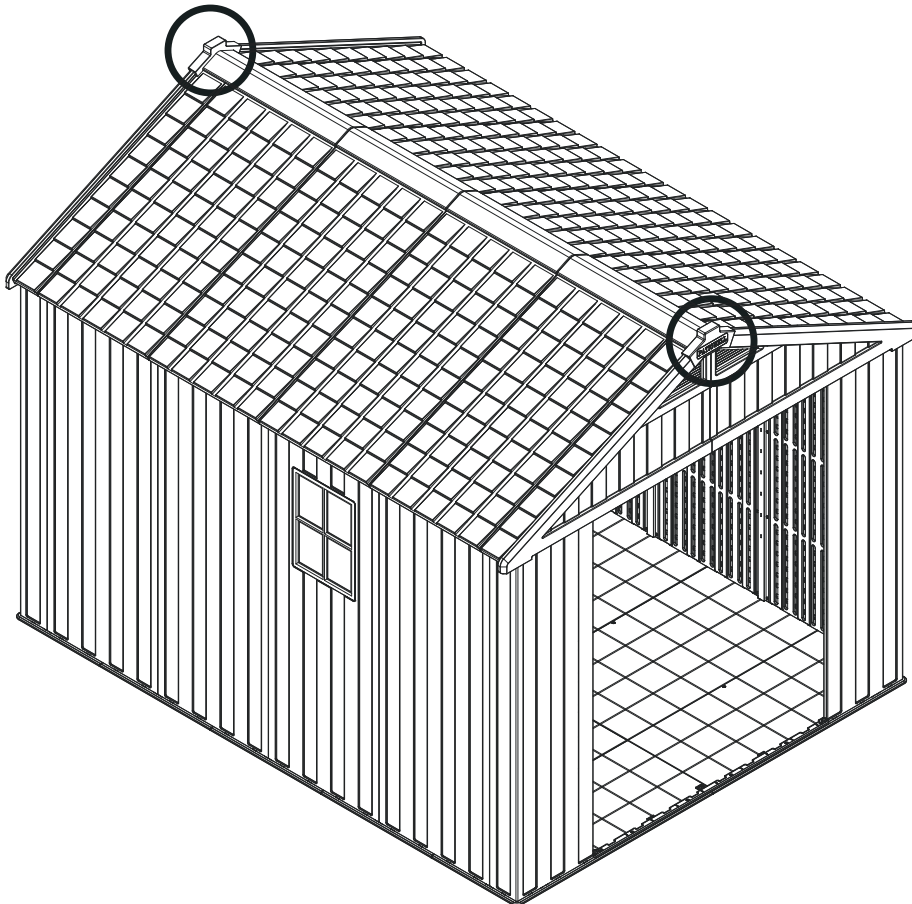
# STEP 53



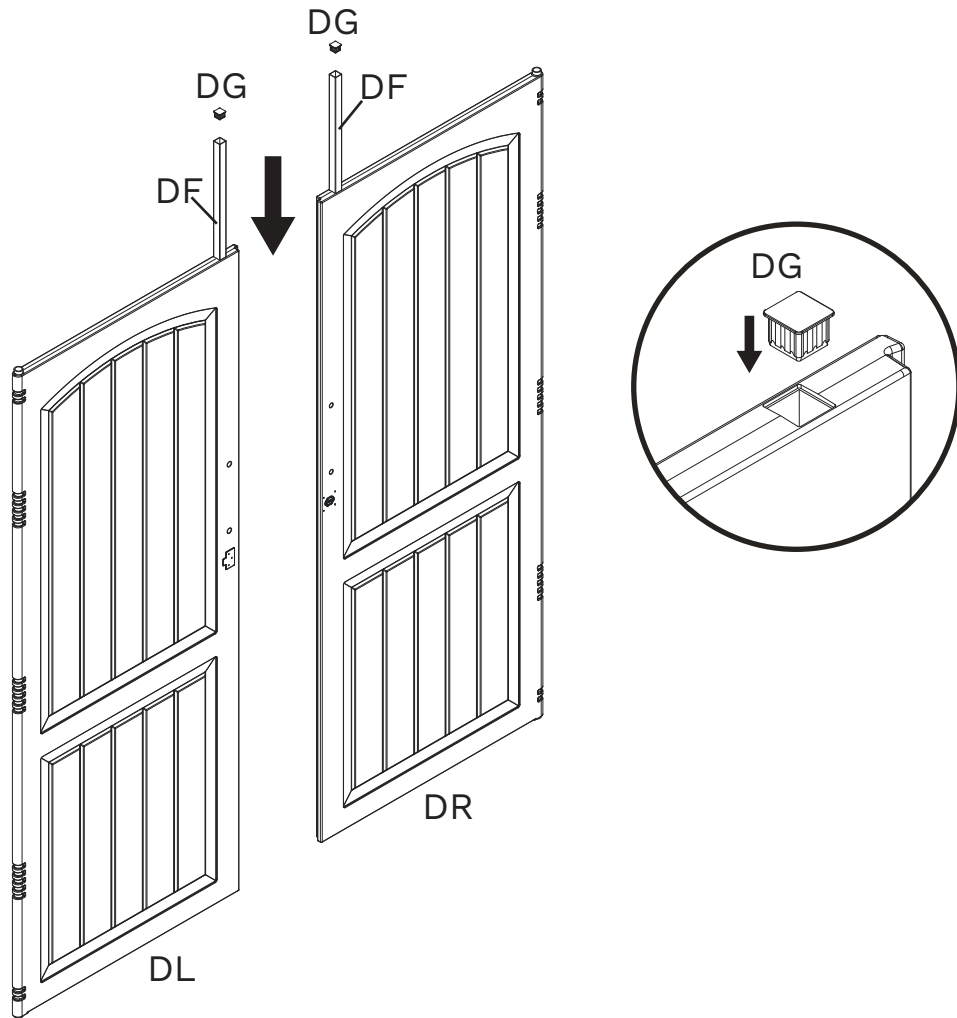
SP6-25



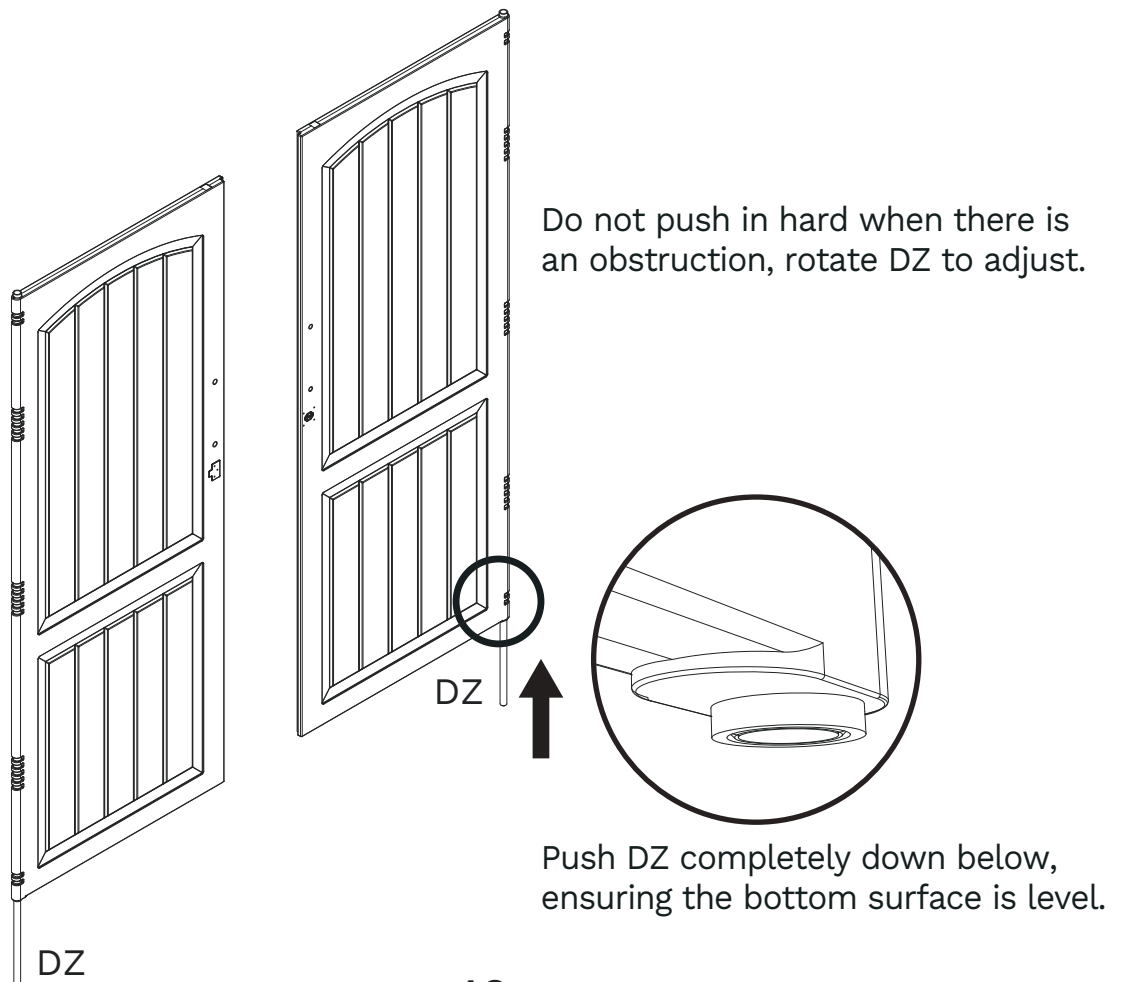
# STEP 54



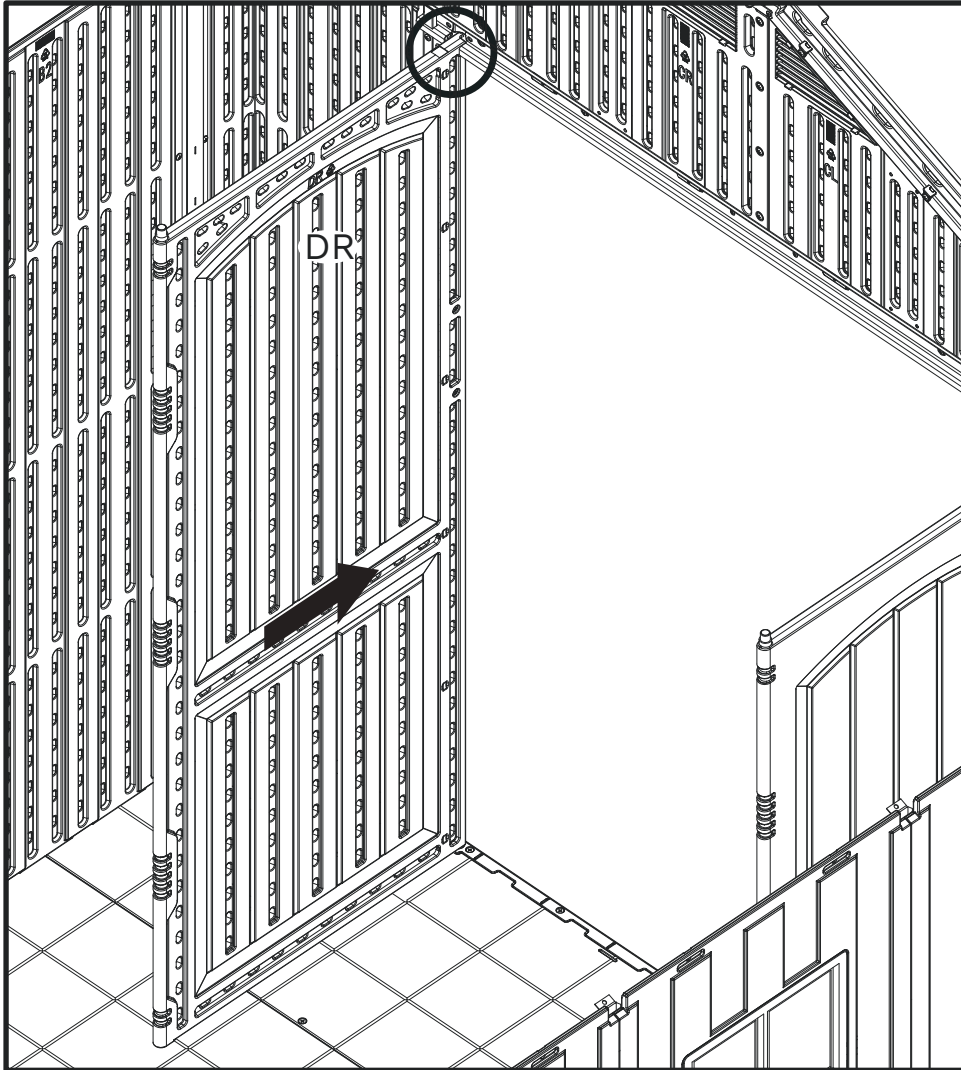
# STEP 55



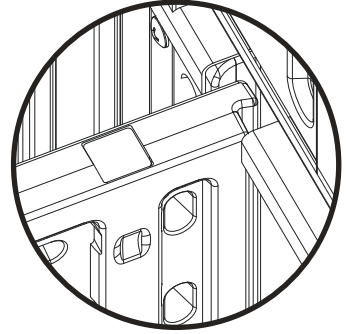
# STEP 56



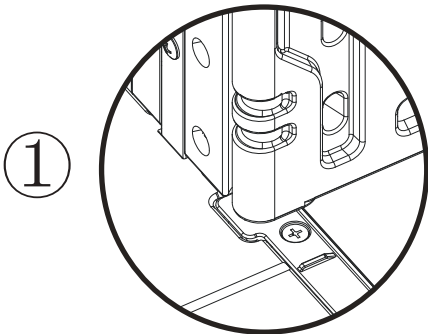
# STEP 57



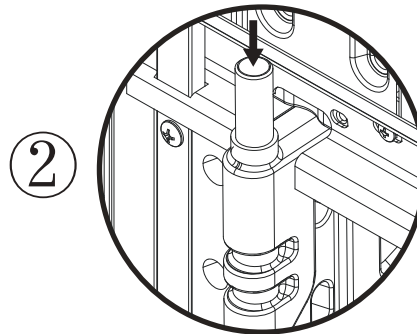
Before installation, please watch the video. Please follow the installation details in the video to avoid product damage.



Take the DR and DL inside. Push it forward into position.

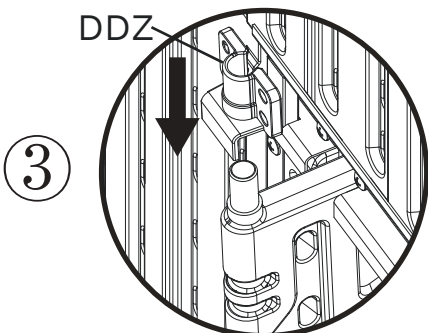


① Push it into the groove of the floor.

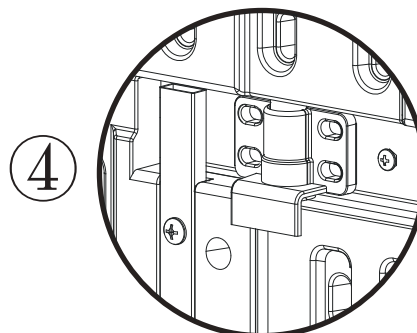


②

Press the DZ downwards.



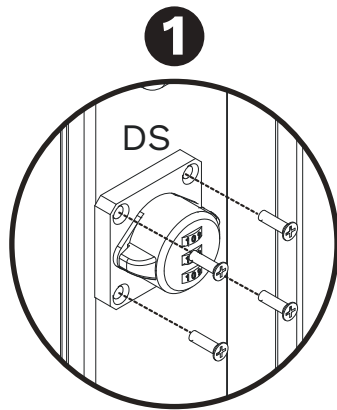
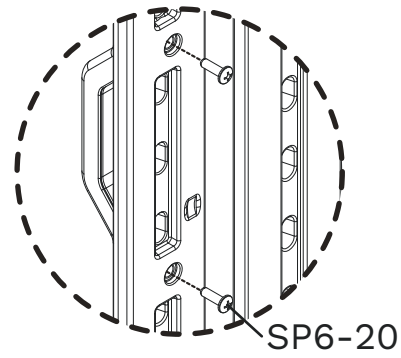
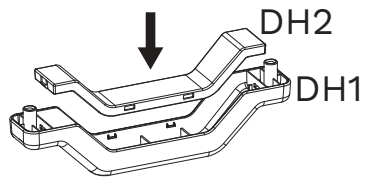
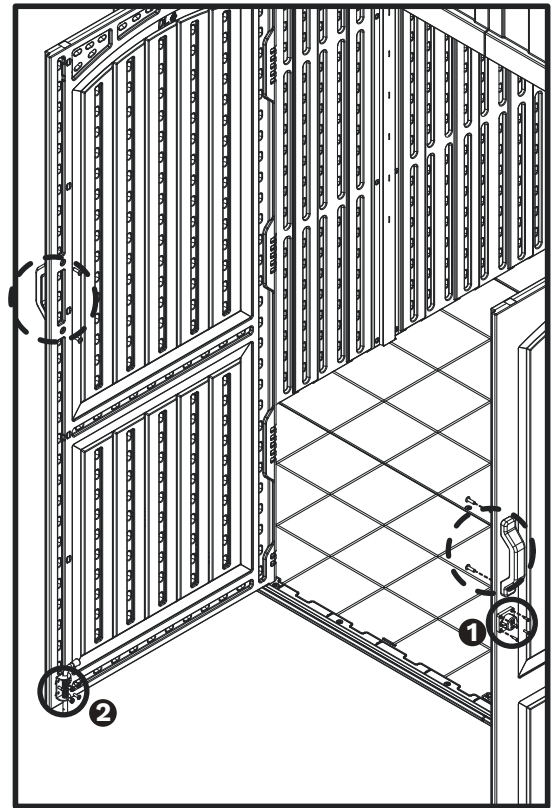
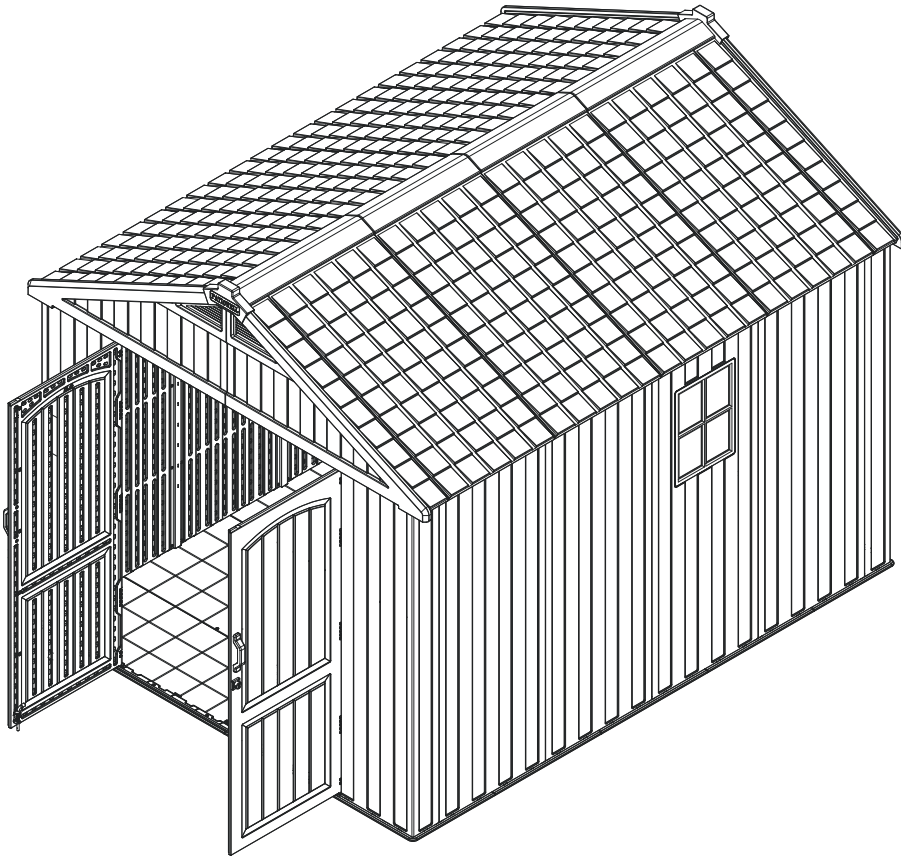
③ Tilting the DR and DL and snapping it into the DDZ.



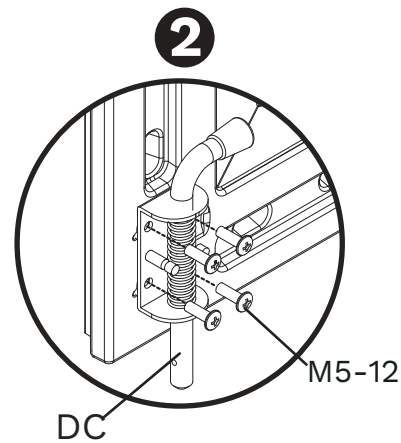
④



After inserting the DDZ, push the DR and DL to the fitting position.

# STEP 58

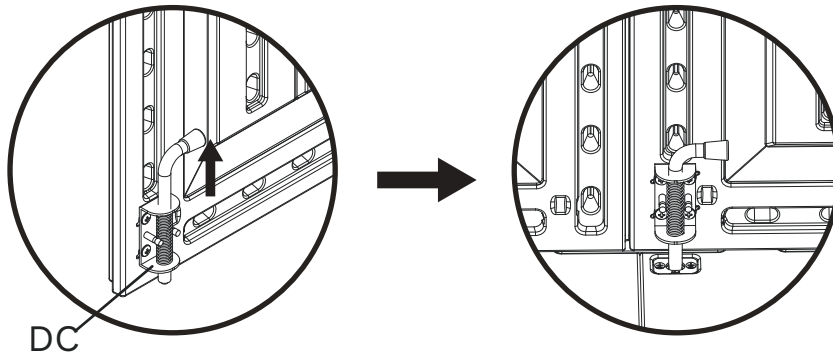
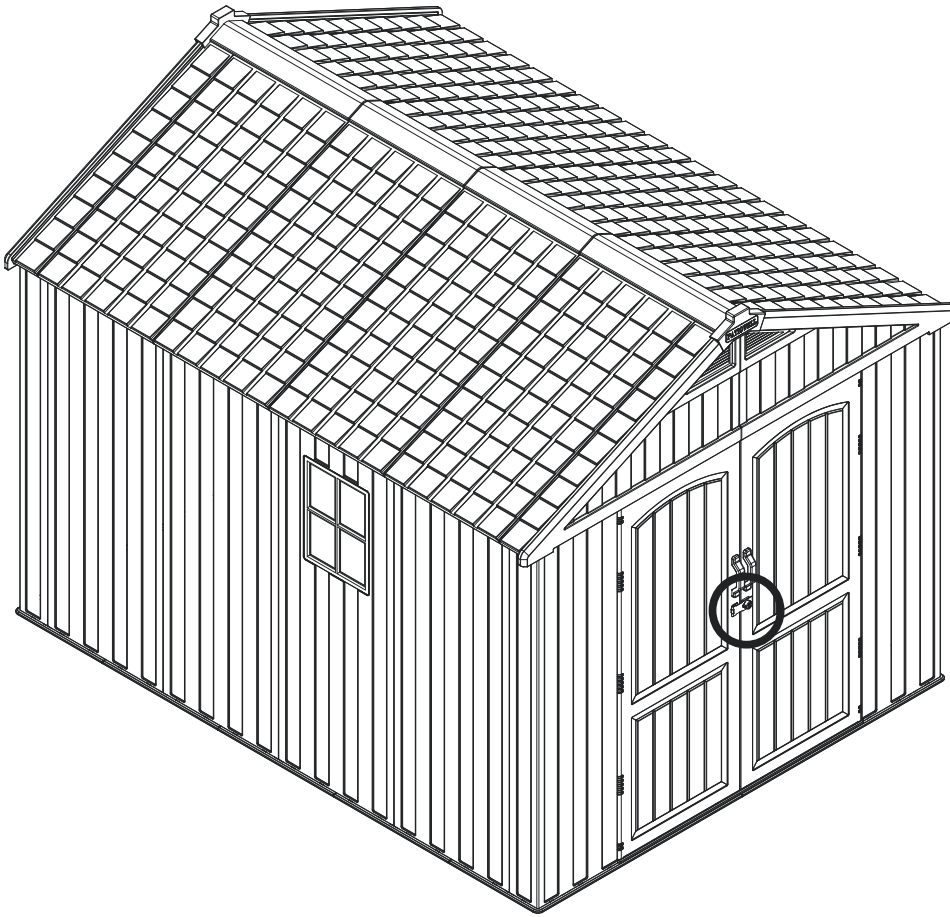


4 long screws for mounting part DS (lock part)



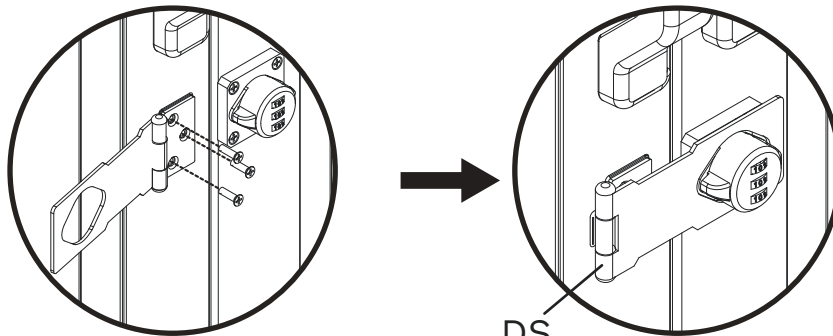
	
SP6-20	M5-12
4 pcs	4 pcs

# STEP 59



DC

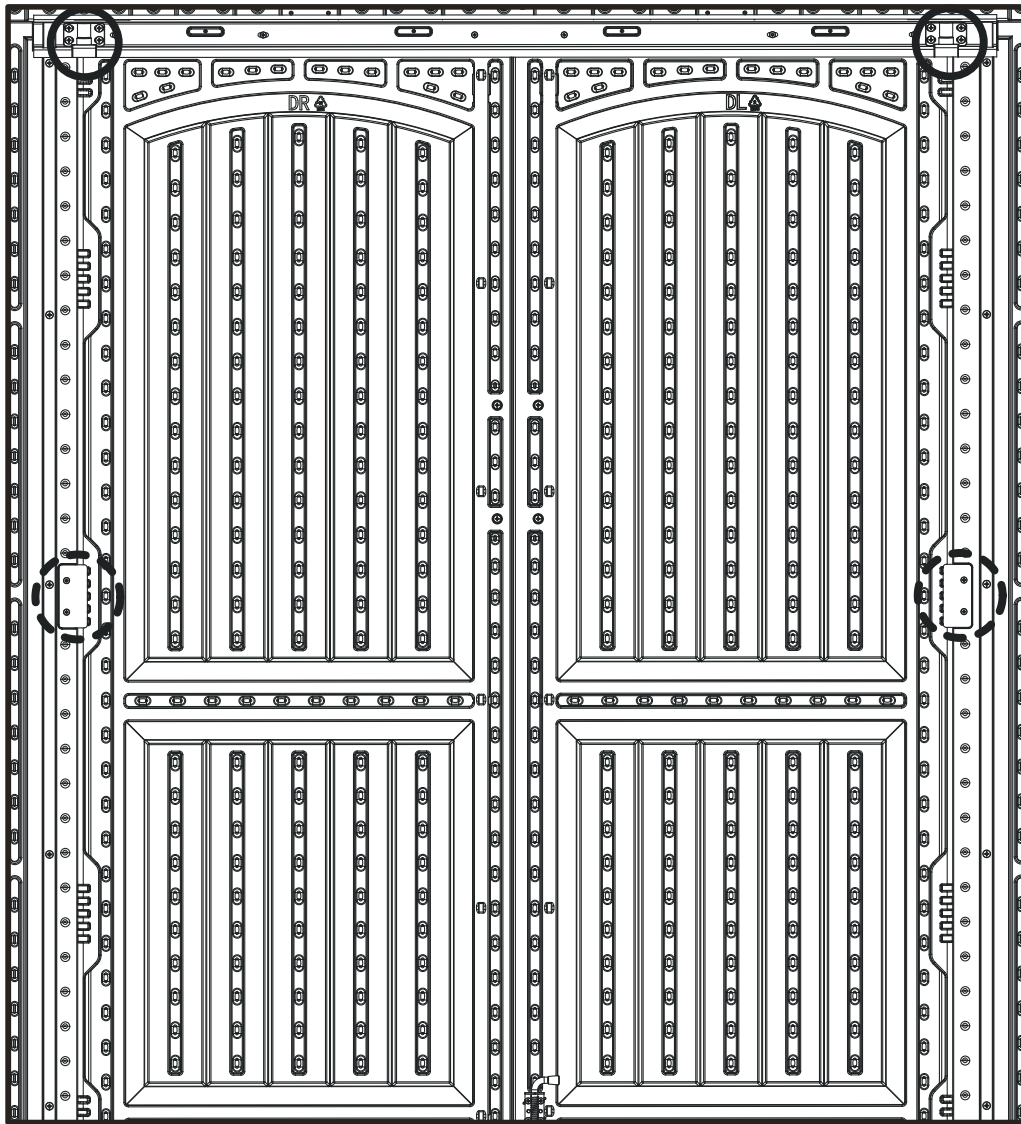
Remember to unplug the DC when closing the door and put it down when the door is closed.



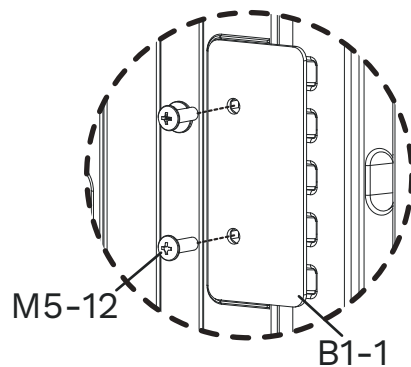
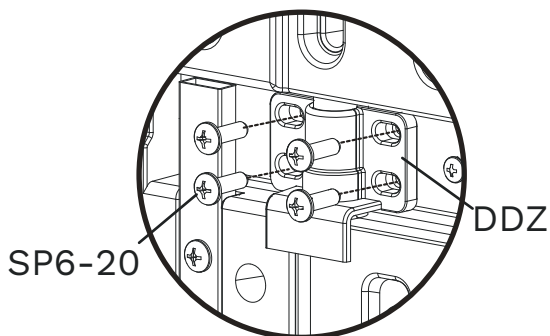
DS



3 short screws for mounting part DS (hinge section)

# STEP 60



Two people are needed. One person closes the door and inserts the pin, while the other person adjusts the gap outside the door. After making sure the gap is even, the person inside installs DDZ screws SP6-20.



	
SP6-20	M5-12
8 pcs	4 pcs

## CARE & SAFETY

- In case of fire, do not attempt to extinguish any burning polypropylene with water
- Unsuitable for storage of flammable or corrosive substances.
- It is of utmost importance to assemble all of the parts according to the directions. Do not skip any step.
- Please consult your local authorities if any permits are required to erect shed.
- Periodically check shed to assure that it remains stable and that the site remains level.
- It is highly recommended to secure the shed to an immovable object or to the ground by drilling holes in the floor at the pre-marked locations and inserting proper screws into the ground (size: 1.9"-3" ,screws are not included).
- Wear safety-goggles and always follow the manufacturer's instructions when using power tools.
- Wash shed with garden hose or a mild detergent solution. Using a stiff brush or abrasive cleaner could damage shed.
- Hot items such as recently used grills, blowtorches, etc. must not be stored in the shed.
- Heavy articles should not be leaned against the walls, as this may cause distortion.
- Keep roof clean of snow and leaves. Heavy amounts of snow on roof can damage the shed making it unsafe to enter.
- Although wind direction varies, it is an important factor when taking into account where to place your shed. Therefore, it is recommended to reduce wind exposure of the shed in general, and the door side in particular.
- Keep doors closed and locked to prevent wind damage.
- Do not stand on the roof.