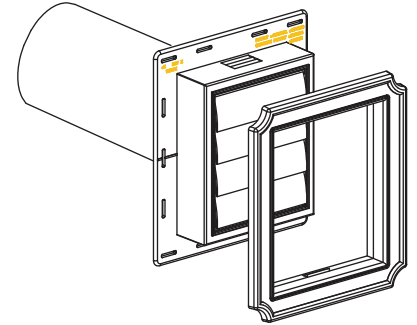


EXHAUST VENT

The Exhaust Vent is used for all side walls. The exclusive lock on trim ring speeds installation on any surface: wood, vinyl, aluminum, stucco or hardwood.

FEATURES:

- Patented exhaust flaps stay closed when not in use.
- Lock-On Trim Ring eliminates trim work.
- Single unit body construction of Vent and Ring
- J-Channel eliminated
- Square or Scalloped Ring available.
- Finish trim ring adjusts for a range of siding thickness
- Complete with 8" aluminum tube (4" dia.).
 - *tube .016" thickness
- Net free area: 12 sq. in.



SPECIFICATIONS:

- Material: Vent: UV stabilized copolymer; color molded in; .100" nominal wall
Louver: UV stabilized copolymer; color molded in; .060" nominal wall
Ring: UV stabilized copolymer; color molded in; .100" nominal wall
- Fabrication: Six piece molded assembly
Trim ring single piece molded unit
- Attachment: Screw or nail directly to any surface.
- Packaging: 4 pack
- Dimensions: See drawing below (all dimensions in inches)
- Patent No: 4920708, 4875318
Canadian Patent 1280024 & 2011685

