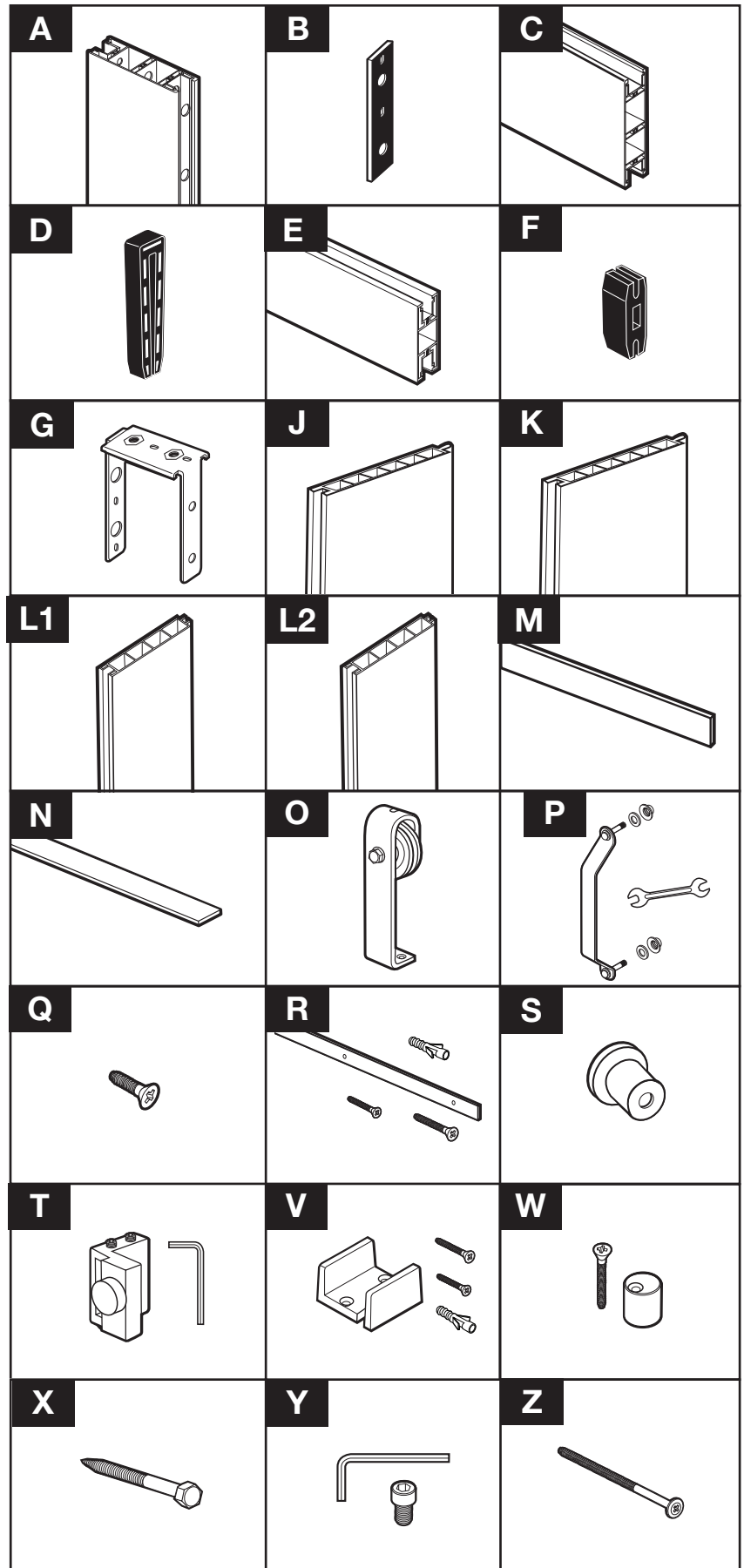
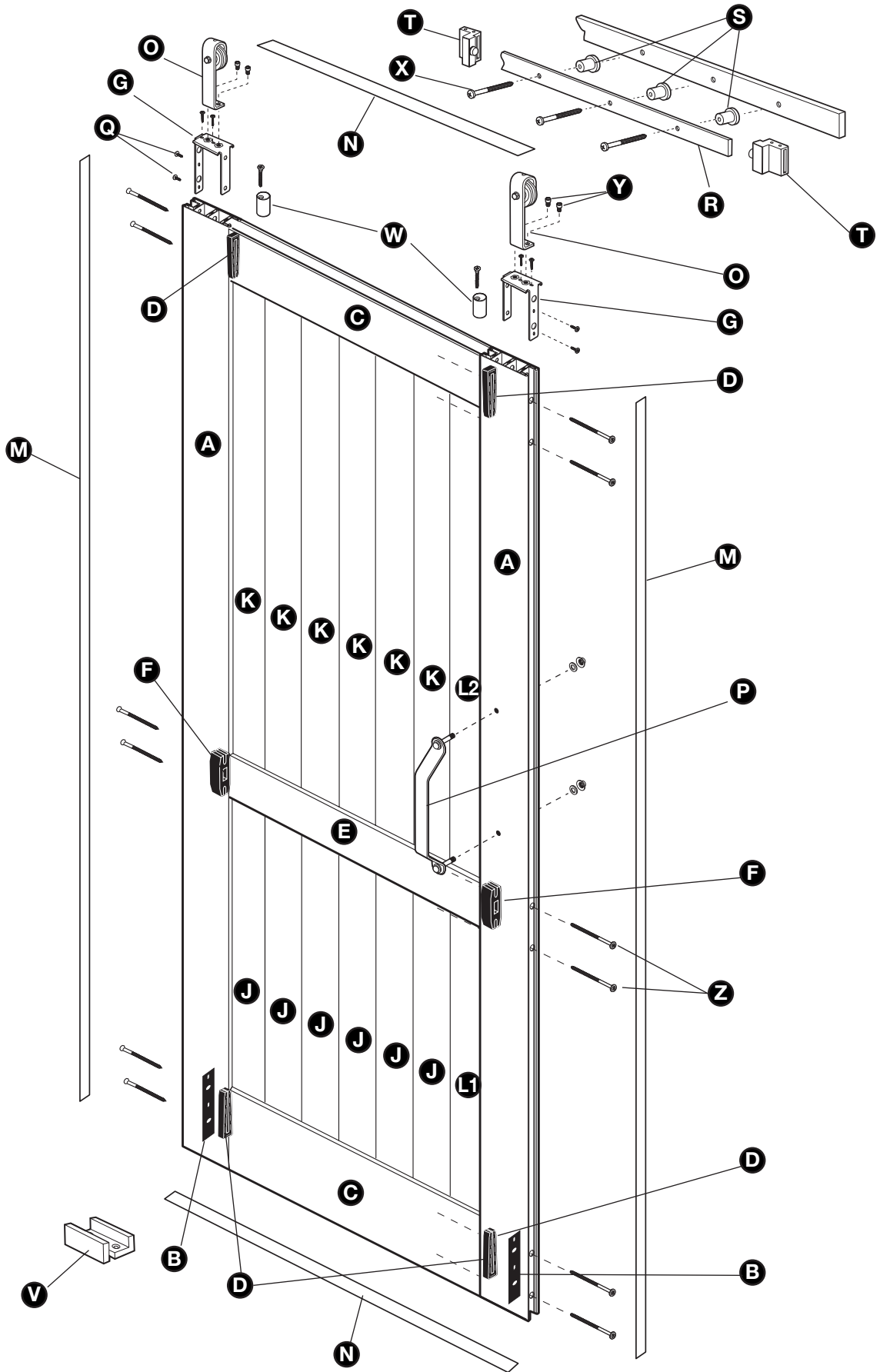


36" H Style Parts List

PART	DESCRIPTION	QTY
A	DOOR STILE	2
B	REINFORCEMENT PLATES	2
C	TOP/BOTTOM DOOR RAILS	2
D	REINFORCEMENT CLIP	4
E	CENTER DOOR RAIL	1
F	CENTER RAIL REINFORCEMENT CLIPS	2
G	U CLIP BRACKETS	2
J	DOOR PANELS BOTTOM	6
K	DOOR PANELS TOP	6
L1	STARTER DOOR PANEL-BOTTOM	1
L2	STARTER DOOR PANEL-TOP	1
M	SIDE FINISHING STRIPS	2
N	TOP/BOTTOM FINISHING STRIPS	2
O	ROLLER BRACKETS	2
P	HANDLE (includes handle, bolts, washers, nuts, wrenches)	1
Q	SCREWS to attach U Clip Brackets	10 (includes 2 extra)
R	TRACK (includes anchors for masonry application)	1
S	SPACERS for track install	5
T	DOOR STOPS	2
V	FLOOR GUIDE with screws	1
W	SAFETY SPACERS with screws	2
X	LAG BOLTS for track installation	5
Y	ALLEN SCREWS for Roller Brackets	4
Z	SCREWS to attach Rails	22



Overview H Style 36"



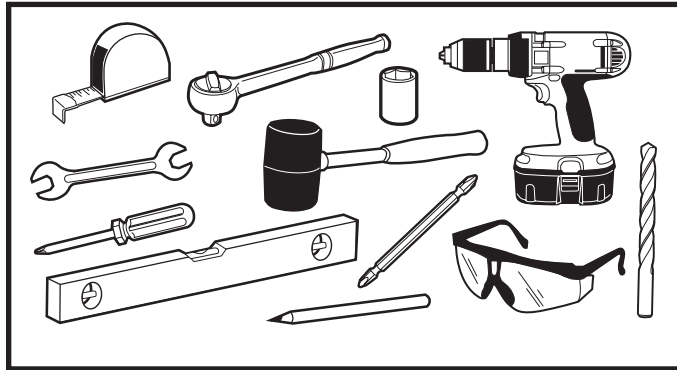
PVC Barn Door Assembly and Track Installation H Style 36"

Please read ALL instructions before you begin installation.

You MUST determine if you need a Mounting Board prior to doing ANY installation. Due to many overlapping factors such as the location of wall studs, the weight of a Barn door and the various types of trim used in homes, we recommend using a Mounting Board in all situations. Track must be installed into Solid Blocking or Head Casing.

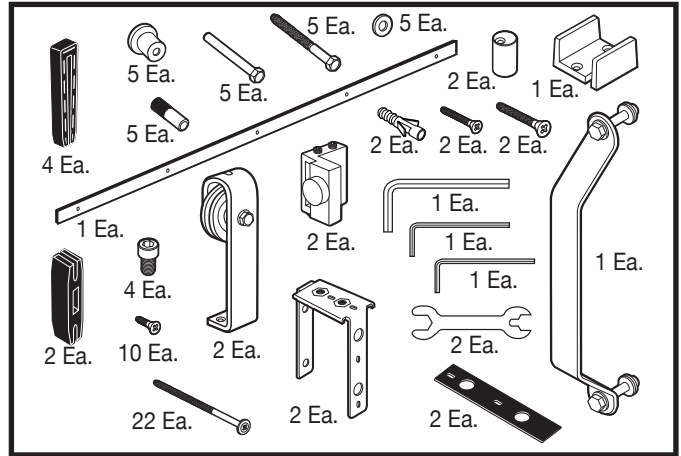
Tools Needed

You will need a Pencil, Phillips head screwdriver, Tape measure, Drill, Assorted Drill bits (5/16" & 3/8"), 6" phillips head bit (included in kit), 1/2" socket ratchet, 4ft Level, Rubber mallet and Safety glasses.



Parts List

Make sure ALL parts are included before beginning.



NOTE

NOTE: It is very important to determine whether you will be installing a Mounting Board prior to installing the track. If you do need to install a Mounting Board, it **MUST** be installed first. (Mounting Board Not Included)

NOTE

1. Measure for Track Height

In order to determine the proper Height for your Barn Door Track, add 3" to the height of the door being installed. Locate and mark this height on the wall (or mounting board) on the side of the door jamb where the door would be in the closed position. See Figure 1.

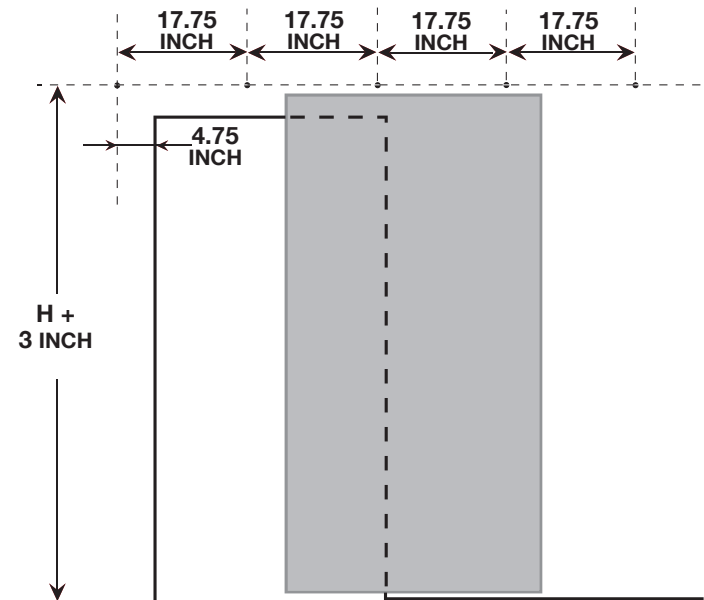
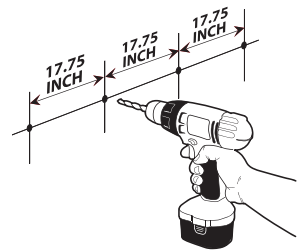


Figure 1

2. Determine Track Location

On the same side where you made your Height mark, measure 4-3/4" over from the door jamb and draw a line so the 2 measurements intersect. This will be the location of the first hole in the Track. See Figure 1.



3. Insert Mounting Hardware

Drill pilot hole. Insert lag bolt (X) through the first track hole, then place the track spacer (S) through the bolt on back of the track. Install the lag bolt with 1/2" socket ratchet. Do not tighten fully. Swing the track up and use the level to ensure the track is straight. Mark the remaining holes in the track. Drill remaining pilot holes. At the other end of the track from where you installed your first bolt, slide the stopper (T) onto the track that is for the side where the door will be in the closed position. Push it towards the middle of the track. Install a bolt and spacer at this end of the track. Slide the stopper to the other end of the track so it is between the first and second holes in the track. Install the remaining bolts and spacers. Go back and full tighten the first bolt. Slide the remaining stopper onto the other end of the track. Do not set either stopper at this point. Refer to Figures 2A, 2B & 2C.

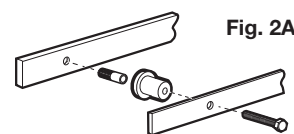


Figure 2A
Masonry Application

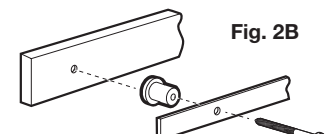


Figure 2B
Mounting Board/Stud Application

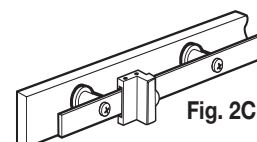


Figure 2C

PVC Barn Door Assembly and Track Installation H Style 36"

4. Attach Stile to Bottom Rail

Lay one of the Stiles (A) onto work surface. Make sure the side with the large holes are facing outward. Insert one of the Reinforcement plates (B) into the bottom of the Stile into the innermost chamber of the Stile. See Figure 3.

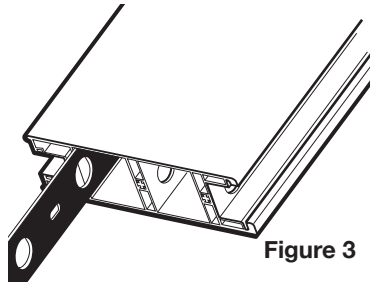


Figure 3

Place 2 of the 4" screws (Z) into the 2 holes in the outside of the channel. Make sure they are fully inserted. See Figure 4A & 4B

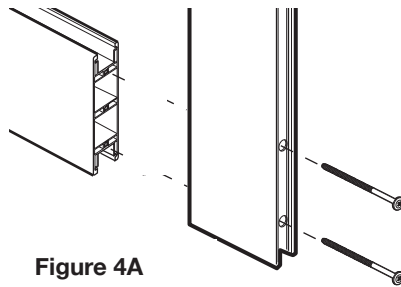


Figure 4A

Slide a reinforcement clip (D) into the channel and over the screw shafts. Place the end of the Bottom rail (C) against the screws, lining up the holes in the extrusion. See Figure 4B

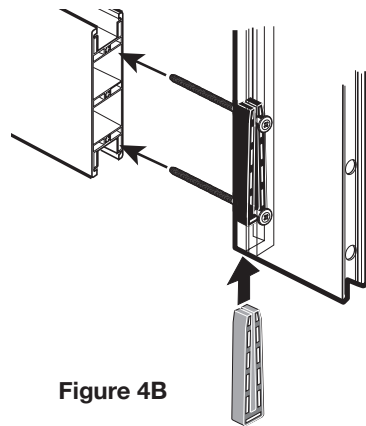


Figure 4B

Once in place, tighten the screws until stile and rail are flush and secure.

5. Install Center Rail

Place 2 of the 4" screws (Z) into the pre-drilled holes in the stile, making sure they are fully inserted. Snap a center rail stopper (F) into the channel between the 2 screw shafts. Once in place, snap each screw shaft into the outer channels of the stopper. Place the Center rail (E) against the screws, lining up the holes in the extrusion. Once in place, tighten the screws until stile and rail are flush and secure. Do not overtighten. See Figure 5.

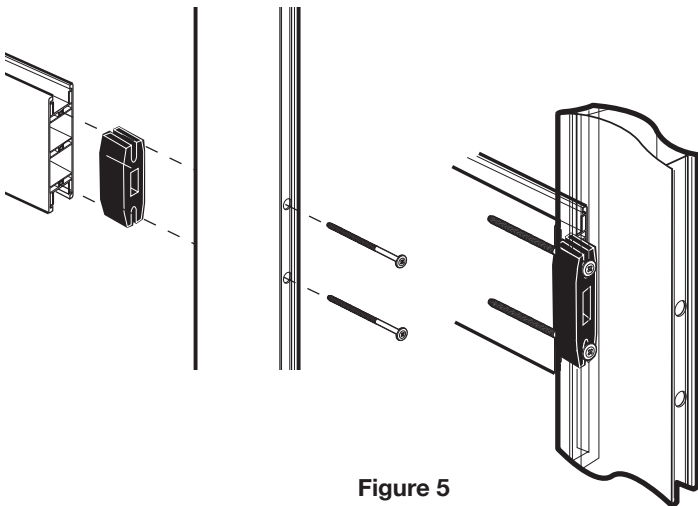


Figure 5

6. Install Top Rail

Insert U bracket (G) into the Top of the stile into the outside channel and the innermost channel. The side of the U clip with the larger holes should be facing the outside edge of the door. The top of the U clip will rest on the top of the stile once inserted. See Figure 7.

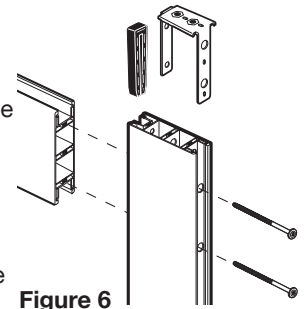


Figure 6

Place 2 of the 4" screws (Z) into the 2 holes in the outside of the Stile channel. Make sure they are fully inserted. Slide a reinforcement clip (D) into the channel and over the screws shafts. See Figure 6.

Insert two small screws (Q) into the oval holes on top of the U bracket and secure to the top of the stile. Take 2 small screws (Q) and secure into the oval holes in the outside of U bracket (G). This will be the outside channel of the stile. See Figure 7.

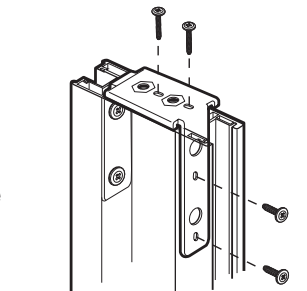


Figure 7

Line up Top Rail (C) with Stile. Make sure the side of the Top rail with the thinner channel is facing down towards the bottom of the door.

Place the end of the Top rail (C) against the screws, lining up the holes in the extrusion. Once in place, continue tightening screws until stile and rail are flush and secure. This will be the top of the door. See Figure 8.

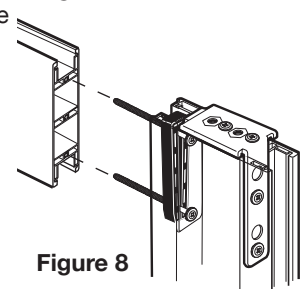


Figure 8

7. Insert Door Panels

Take the starter panel for the bottom of the door (L1), making sure the smaller opening side is inserted first. See Figure 10.

Slide this panel into the bottom door section (between the bottom and center rails). Make sure piece fits snug into stile channel. Gently tap into place with the rubber mallet.

Next take a bottom door panel (J) with the tongue side facing the first panel and slide it into the channel. Again tap into place and make sure it fits snug. Continue with remaining panels (J) for this section. Repeat these steps for the starter top panel (L2) and top door panels (K) in the top section of the door. These will be a tighter fit to slide and tap into place.

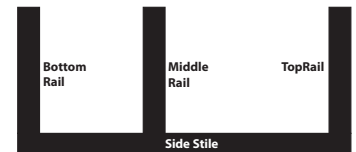
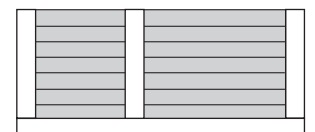
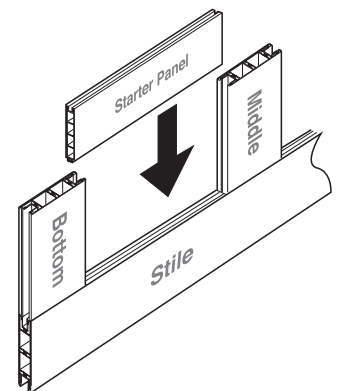


Figure 10 Starter Panel



PVC Barn Door Assembly and Track Installation H Style 36"

8. Attach Remaining Stile

Secure the remaining stile (A) (repeat of step #4). Make sure the side with the large holes is facing outward. Insert one of the Reinforcement plates (B) into the bottom of the Stile into the innermost chamber of the Stile. Place 2 of the 4" screws (Z) into the 2 holes in the outside of the channel. Make sure they are fully inserted. Slide a Reinforcement clip (D) into the channel and over the screw shafts. Place the end of the Bottom rail (C) against the screws, lining up the holes in the extrusion. Once in place, tighten screws until stile and bottom rail are about 1/2" apart. Do not tighten fully. For Center Rail (E) (repeat of step #5), place 2 of the 4" screws (Z) into the pre-drilled holes in the stile, making sure they are fully inserted. Snap a center rail stopper (F) into the channel between the 2 screw shafts. Once in place, snap each screw shaft into the outer channels of the stopper. Place the Center rail against the screws, lining up the holes in the extrusion. Once in place, tighten screws until stile and center rail are about 1/2" apart. Do not tighten fully. Insert U bracket (G) (repeat of step #6) into the Top of the stile into the outside channel and the innermost channel. The side of the U clip with the larger holes should be facing the outside edge of the door. The top of the U clip will rest on the top of the stile once inserted. Place 2 of the 4" screws (Z) into the 2 holes in the outside of the Stile channel. Make sure they are fully inserted. Slide a reinforcement clip (D) into the channel and over the screws shafts. Insert two small screws (Q) into the oval holes on the top of the U bracket and secure to the top of the stile. Take 2 small screws (Q) and secure into the oval holes in the outside of U bracket (G). This will be the outside channel of the stile. Make sure the holes in the extrusion on the Top rail (C) line up against the screws. Once in place, continue tightening screws until stile and rail are flush and secure. Go back and fully tighten the screws in the Center and Bottom Rails. See Figure 12.

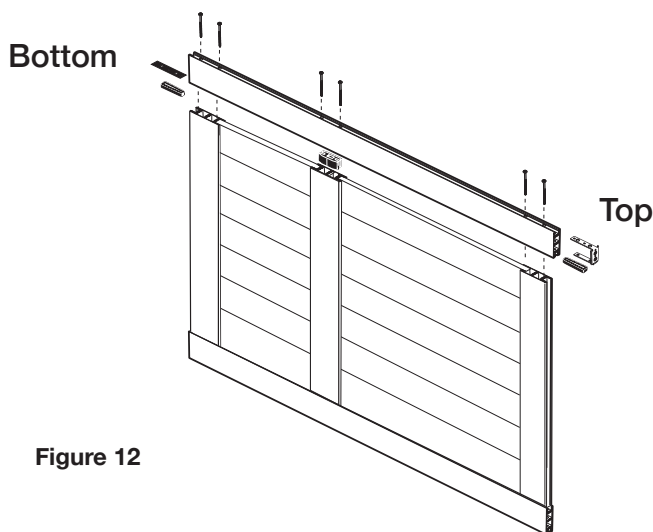


Figure 12

9. Install Roller Brackets

Line up the holes on the Roller Bracket (O) with the U bracket (G) and secure with the 2 allen screws (Y). Repeat with the other Roller bracket (O). See Figure 13.

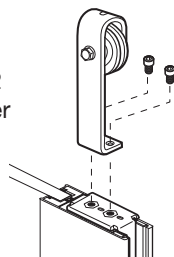


Figure 13

10. Finishing Strips

Snap the 2 side finishing strips (M) into place. Snap the top and bottom strips (N) into place. See Figure 14.

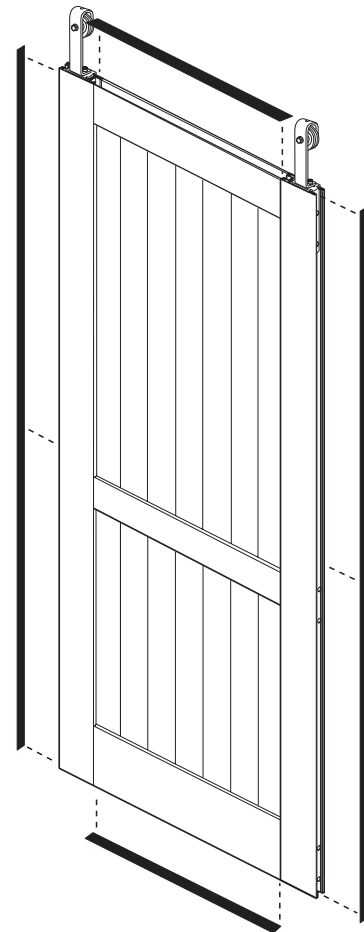


Figure 14

11. Install Safety Spacers

Once the Roller brackets have been secured and the finishing strips in place, it is important to install the Safety spacers (W). These spacers help to protect the door from being bumped off of the track. With the door laying flat in a safe and secure position, place one of the two spacers approximately 2" to the inside of one of the roller brackets. Place slightly off center towards the front of the door. Using a drill, secure the spacer with the screw provided. Repeat steps to install the second spacer inside the other roller bracket. See Figure 15.

See Figure 15.

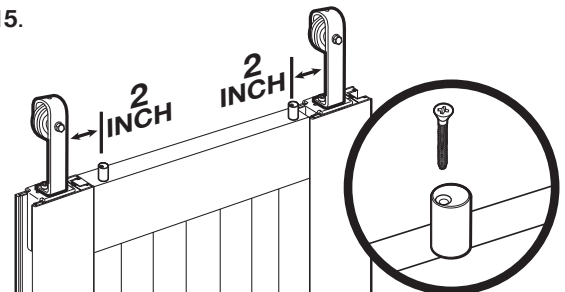


Figure 15

PVC Barn Door Assembly and Track Installation H Style 36"

12. Place door onto Track

Position the door over the opening and slightly tilt the bottom of the door outward away from the wall. Set the rollers securely onto the track. Once the door is safely mounted and is secure, turn the 2 safety spacers 180 degrees towards the wall. This positions them properly under the track. **See Figure 16.**

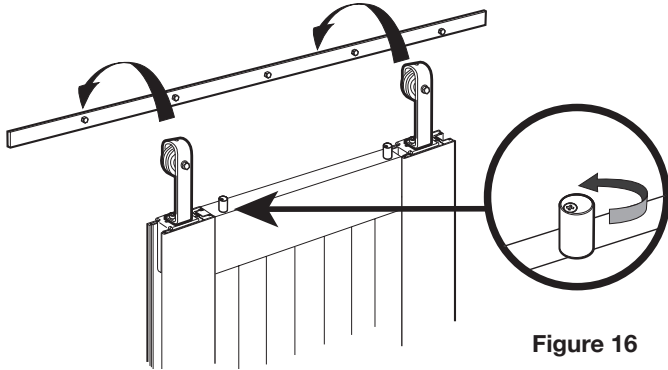


Figure 16

13. Install Handle

Measure up 52" from the bottom of the door and mark that location. Measure in $2\frac{3}{4}$ " from the edge of the stile and mark this spot. Drill a hole through the stile at the intersection of these 2 marks. Place the handle (P) on the door and insert one of the handle bolts into the top hole in the handle. Put the washer and nut onto the backside of the door and tighten the nut. Do not tighten fully at this point. Using a level to make sure the handle is plumb, mark the location of the bottom hole in the handle. Move the handle aside and drill the second hole through the stile. Put the remaining bolt through the hole in the handle. Put the washer and nut onto the backside of the door and tighten the nut. Use the wrench provided to fully tighten the bolts and secure the handle.

See Figure 17.

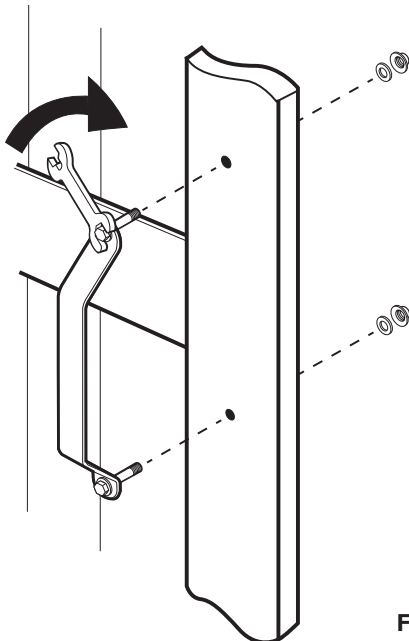


Figure 17

14. Install Floor Guide

The Bottom Door guide (V) keeps the door from swinging outward away from the wall. To locate the proper installation position in the floor, slide the door into the closed position and mark the outside edge of the door on the floor. Now place the door into the open position and mark the inside edge of the door on the floor. Make sure your guide location is well marked. Make sure that whether the door is in the open or closed position, that the door NEVER leaves the Door guide. This is the proper location for the Door guide. Set the width of the floor guide to 1 1/2". Slide the door out of the way and place it on the floor in between the 2 marks. Pre-drill holes if necessary for your floor type. Using a drill and the screws provided, secure the Door guide to the floor. **See Figure 18.**

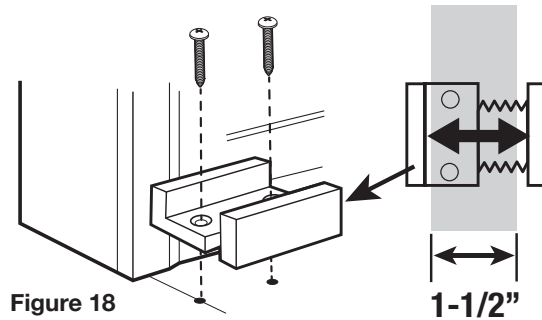


Figure 18

15. Set Door Stops on Track

Make sure the rubber stoppers are facing inward on each side. Move the door to the closed position and slide the Door stop to desired location. Using the provided Allen wrench, tighten the screws in the door stop to secure it in into place. Then carefully glide the door into the fully open position and repeat the steps for the remaining Door stop. **See figure 19.**

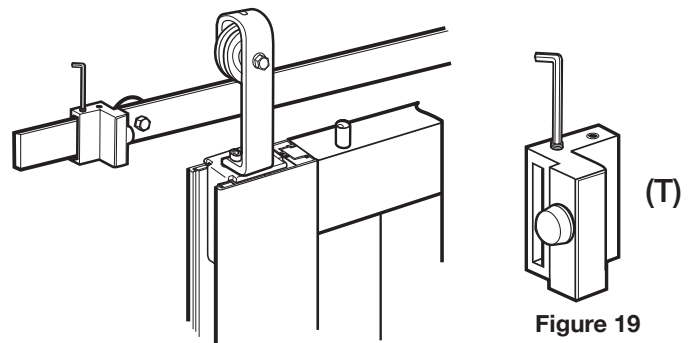


Figure 19