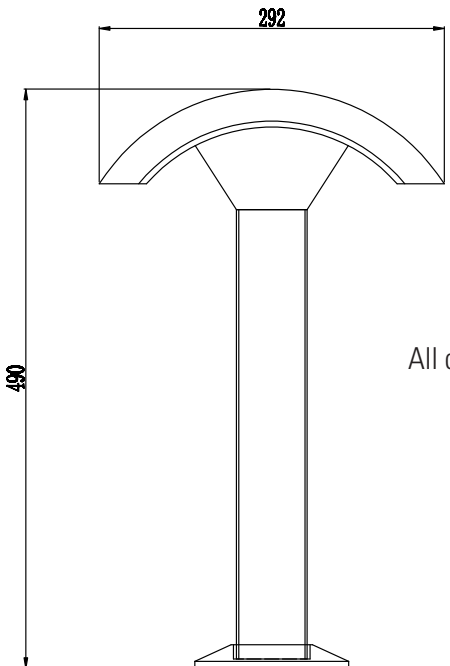




## LED BOLLARD LIGHT

  	<p><b>PRODUCT DESCRIPTION</b></p> <p>LED bollard lights can be hardwired on most surfaces. The lights are usually installed directly to the ground with stakes or mounted on concrete blocks. They are perfect for illuminating pathways, walkways, and gardens. These garden lights are popular for industrial or residential use.</p>
---	---

## DIMENSIONS

 <p>All dimensions in millimeters</p>
--

## SPECIFICATIONS

Part Number	Input Power	Input Voltage	Efficiency	CCT	Light Distribution	CRI	Certificates	Warranty
JH-DGL12W-27R	12W	100-277VAC	100Lm/W	5000K	120°	70+	UL	5 Years