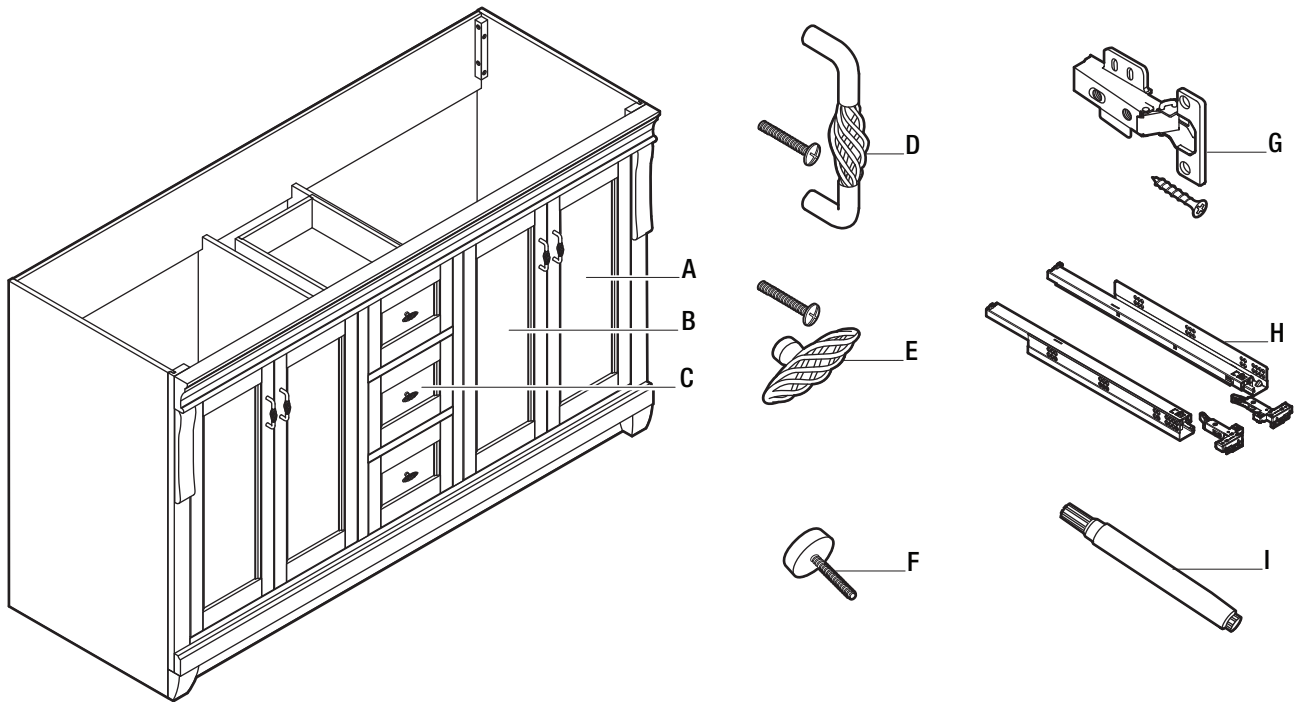


REPLACEMENT PARTS LIST

NAPLES 60 IN. VANITY



Please use the table below to identify the part number needed, and call FGI Industries, Ltd. Customer Service for your replacement at **888-620-3667**. Our team is available to assist you Monday - Friday, 7:00 A.M. - 5:00 P.M. (CST).

| Part | Description | Part # |
|------|--------------------------------------------------------------------------|--------------------|
| A | Left Door | PB-NADGA6021D-LD |
| B | Right Door | PB-NADGA6021D-RD |
| C | Drawer | PB-NADGA6021D-DRW |
| D | Door Handle (1 handle; 2 screws) | PB-HANDLE-LS015 |
| E | Drawer Knob (1 knob; 1 screw) | PB-KNOB-LS014 |
| F | Foot Cap | PB-FOOTCAP-JD006 |
| G | Slow Close Hinge (1 hinge; 6 screws) | PB-SC HINGE-HY006 |
| H | Slow Close Drawer Glide Kit (right & left glides; 2 brackets; 14 screws) | PB-DRW GLIDE-HG006 |
| I | Touch Up Pen | PB-TUKIT027 |