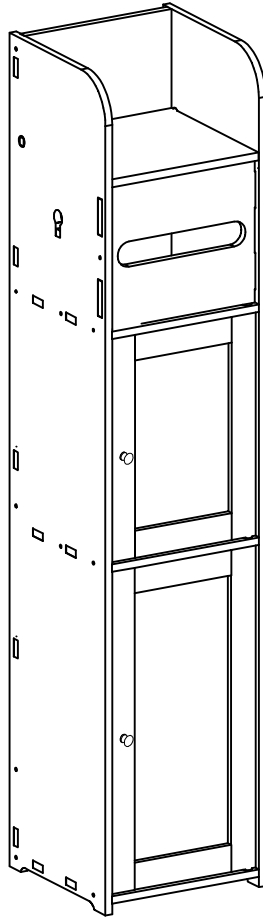


ASSEMBLY INSTRUCTIONS


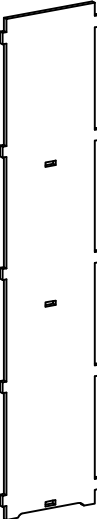
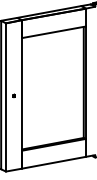
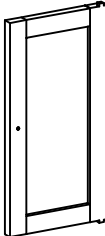
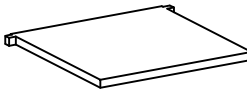
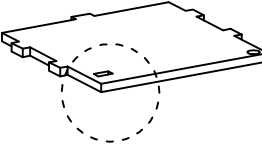
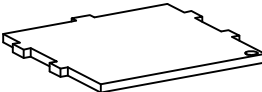
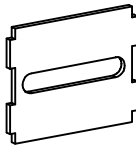


Style # BM20-WH Bathroom Cabinet






NOTE TO CUSTOMERS:

- For ease and speed of assembly we recommend that before you commence each step of the assembly that you identify all the parts required to complete that step.
- We recommend that where possible you allow sufficient space to assemble the item as close as possible to the place where it will be once assembled.
- For the protection of your furniture we recommend that the product is placed on protected surfaces during assembly to prevent any damage.
- During assembly do not over tighten, as this may damage the product.
- Please ensure you retain all the product packaging until the item completely assembled.
- Please periodically check all fittings and re-tighten as necessary.
- This product requires assembly by an adult because of the small parts. Care should be taken in unpacking and assembling this item to keep the small parts away from children.

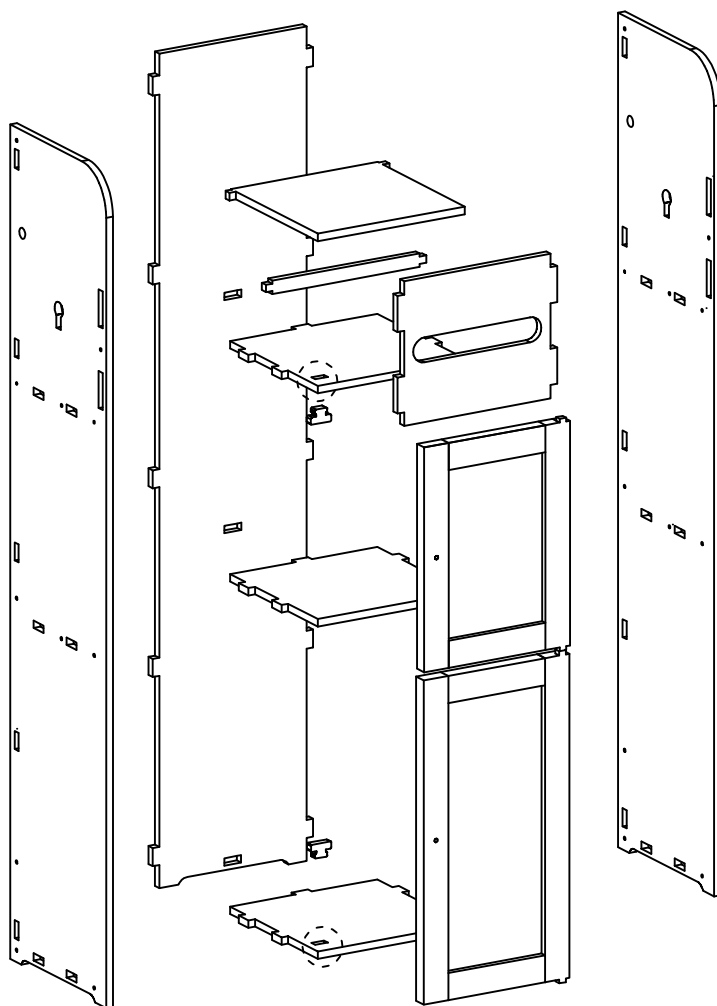
Part List

<p>Quantity of 2</p>  <p style="text-align: center;">Side Panel</p>	<p>Quantity of 1</p>  <p style="text-align: center;">Back Panel</p>	<p>Quantity of 1</p>  <p style="text-align: center;">Center Door</p>	<p>Quantity of 1</p>  <p style="text-align: center;">Lower Door</p>
<p>Quantity of 1</p>  <p style="text-align: center;">Bottom Divider</p>	<p>Quantity of 2</p>  <p style="text-align: center;">Shelf</p>	<p>Quantity of 1</p>  <p style="text-align: center;">Center Shelf</p>	
<p>Quantity of 1</p>  <p style="text-align: center;">Upper Door</p>	<p>Quantity of 1</p>  <p style="text-align: center;">Bar</p>	<p>Quantity of 2</p>  <p style="text-align: center;">Stopper</p>	

Hardware List

<p>Quantity of 22</p>  <p style="text-align: center;">Screw</p>	<p>Quantity of 22</p>  <p style="text-align: center;">PVC cap for exposed screw head</p>	<p>Quantity of 2</p>  <p style="text-align: center;">Door Knob</p>
--	---	---

Part List



WARNING

INJURIES CAN OCCUR FROM FURNITURE TIP-OVER. TO HELP PREVENT TIP-OVER:

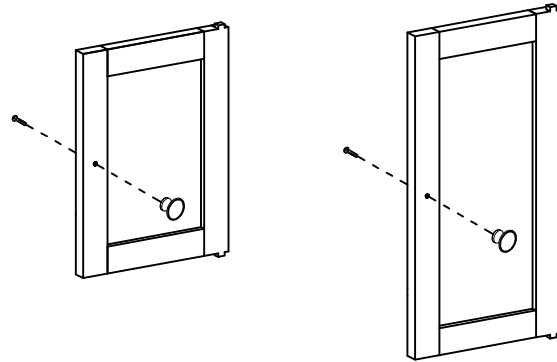
- Do not place heavy objects on the top of the table.
- Never allow children to climb on to the furniture.

NOTE :

- This product is made of plastic wood, please do not use force when assembling in order to avoid damage.
- Each shelf maximum weight capacity is 4.4 lbs.
- Clean with damp cloth and non abrasive cleaning chemicals.

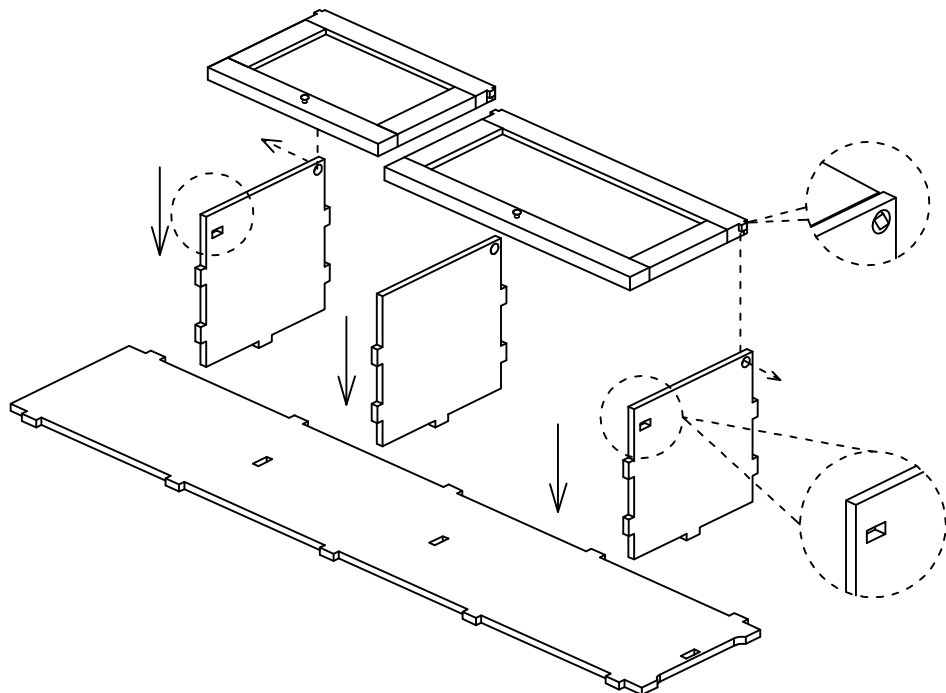
Assembly instructions

Step 1:



Attach the door knobs to doors using provided screws as shown above.

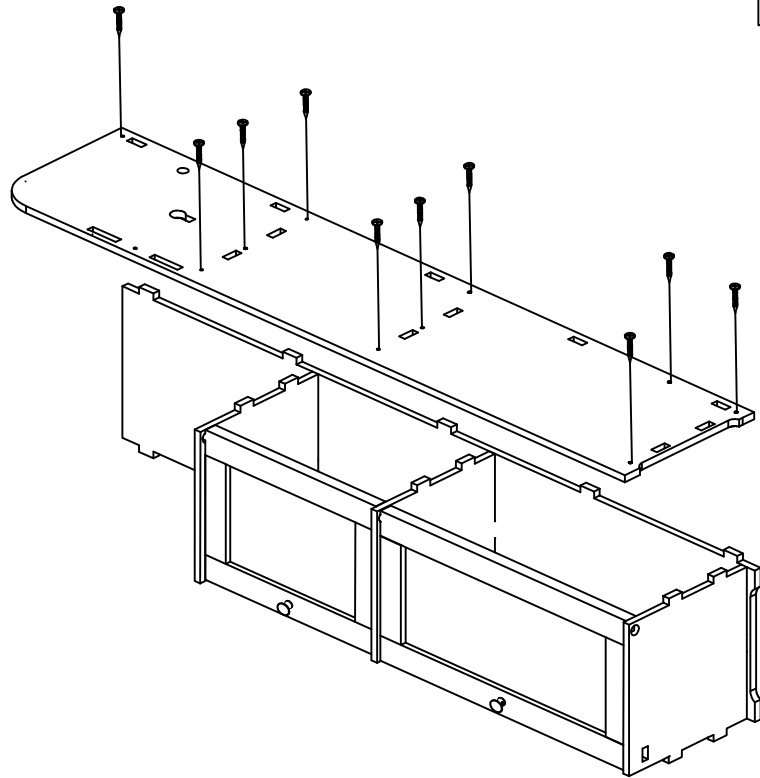
Step 2:



Attach the shelves to the back panel, by inserting them into the pre-drilled slats. Then attach the doors to the shelves, by inserting them into the pre-drilled slats as shown above.

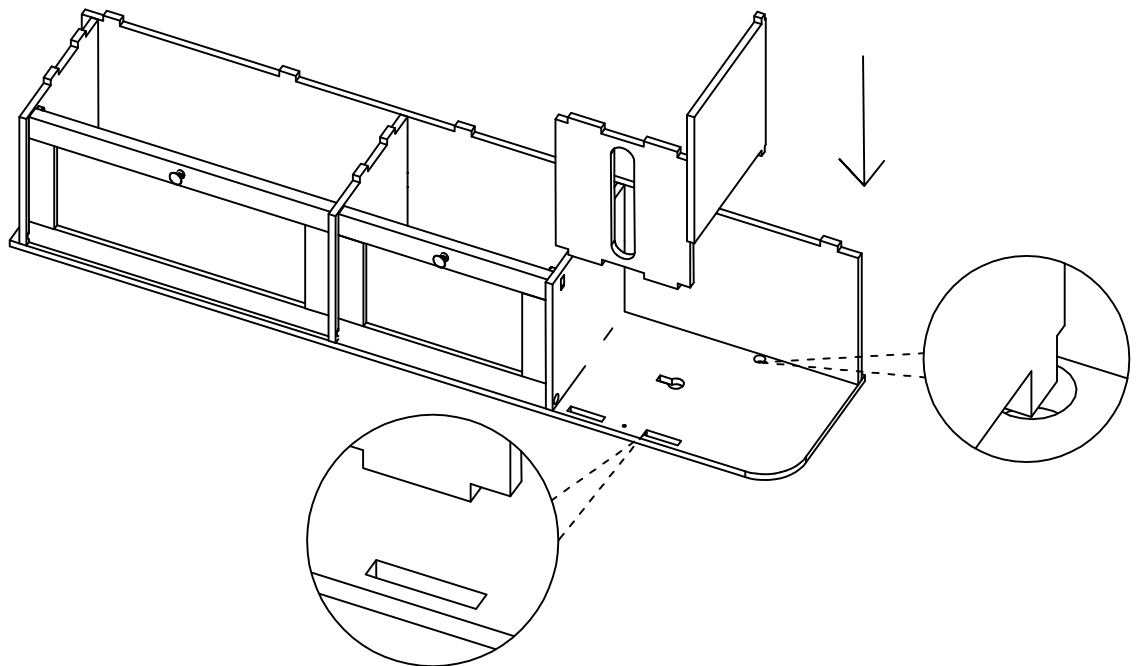
Step 3:

 10pcs



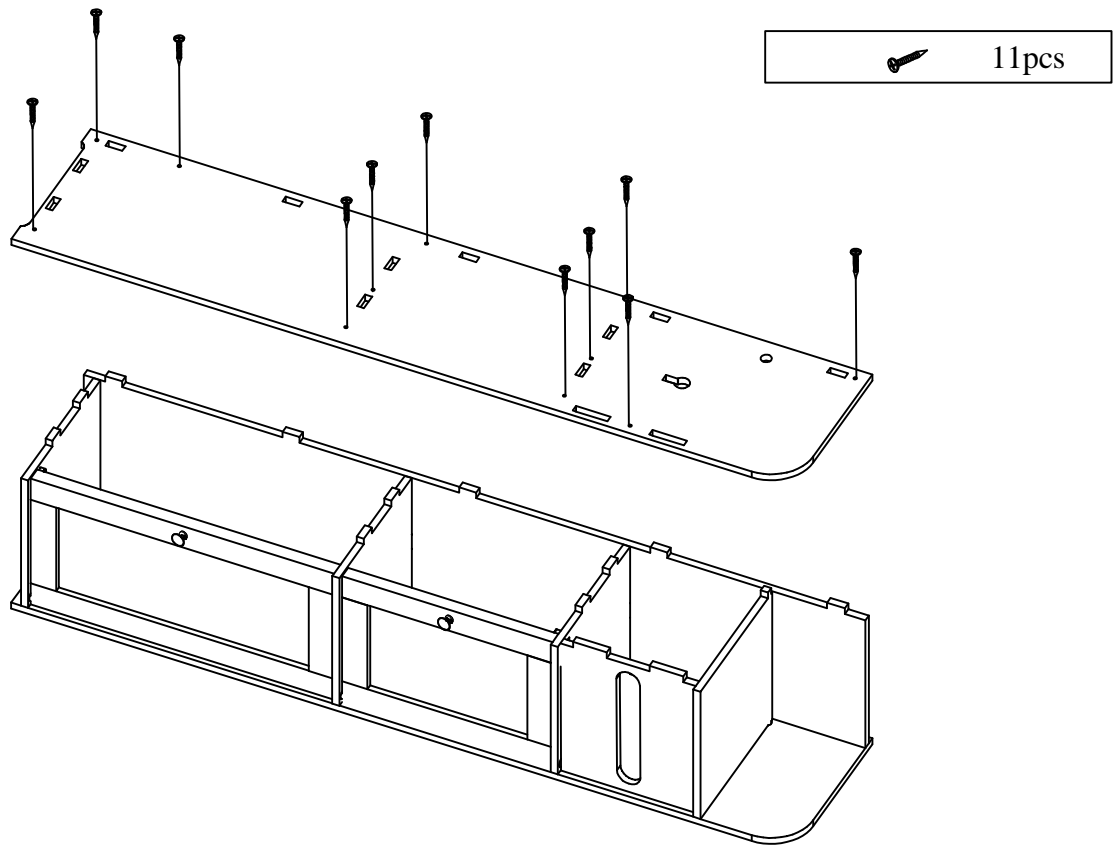
Attach the shelves and back panel to the side panel, by inserting them into the pre-drilled slats as shown above. Then tighten the side panel with provided screws into pre-drilled holes to secure unit as shown above.

Step 4:



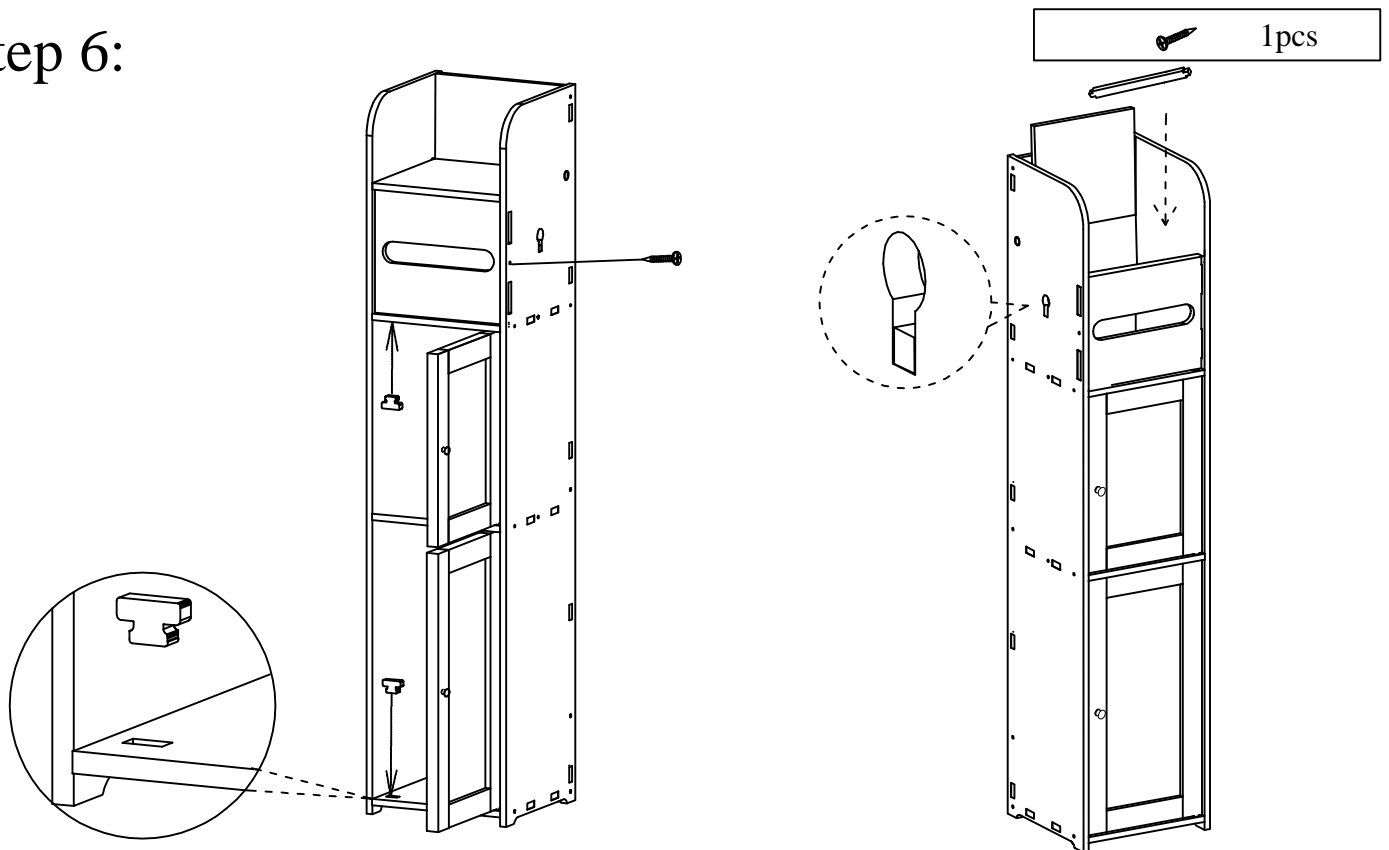
Attach the divider and upper door to the back panel, by inserting them into the pre-drilled slats as shown above.

Step 5:



Attach the shelves ,back panel and upper door to the other side panel, by inserting them into the pre-drilled slats as shown above. Then tighten the side panel with provided screws into pre-drilled holes to secure unit as shown above.

Step 6:



Insert the door stopper into holes on the left side panel as shown above.

Attach the bar to the side panels ,by inserting them into the pre-drilled slats ,then tighten the side panel to the upper door as shown above.