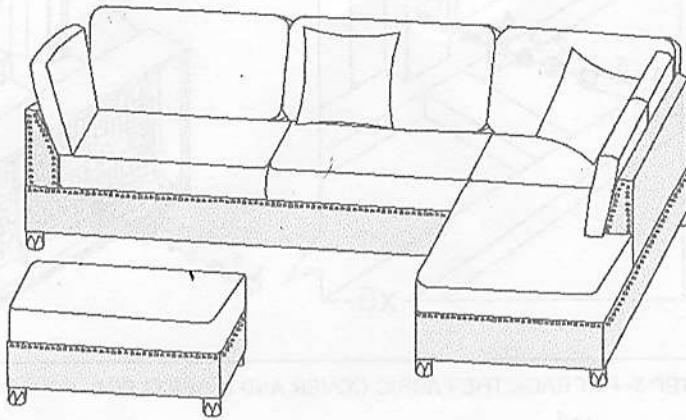


# \*\*\* NOTICE BEFORE ASSEMBLY \*\*\*

Please choose the **CHAISE** will be on  
the **LEFT** or **RIGHT** hand side.

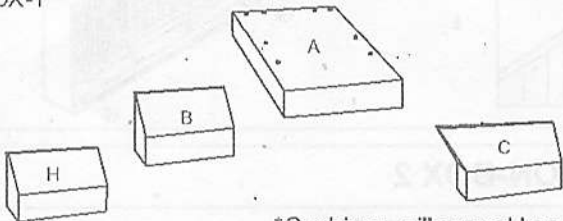
#Assembly Instruction II: CHAISE ON THE RIGHT



Before assembly, open both Box 1 and Box 2 to switch between Part C&H and Part F&G. And you will get the direction of right chaise.

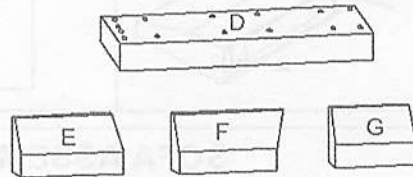
## PARTS LIST

BOX-1



\*Cushions, pillow and legs included

BOX-2



\*Cushions, pillow and legs included

1



x12

2



x12

3



x12

4



x12

5



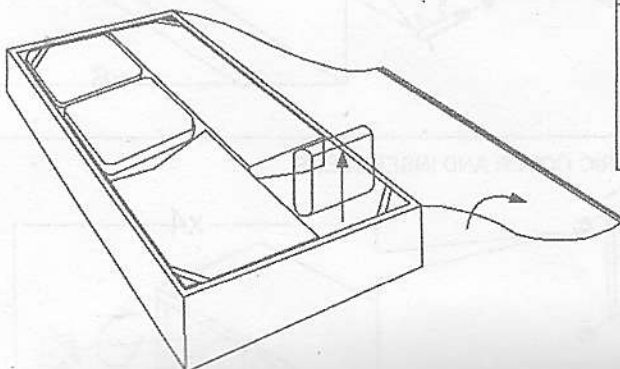
x1

6



x8

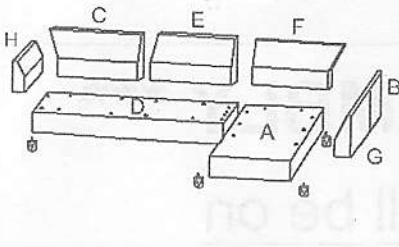
## BEFORE ASSEMBLY



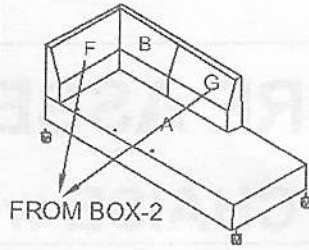
Open up the Velcro of Non-Woven Fabric cover on the bottom of the seat frame to remove seat cushions, back cushions and pillow.



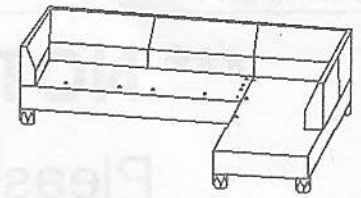
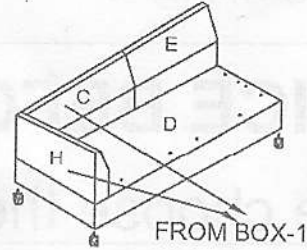
**CHAISE ON THE LEFT**



**CHAISE - BOX 1**



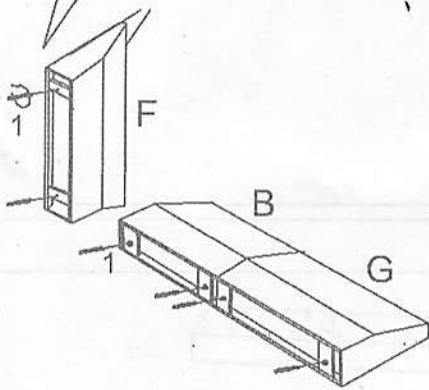
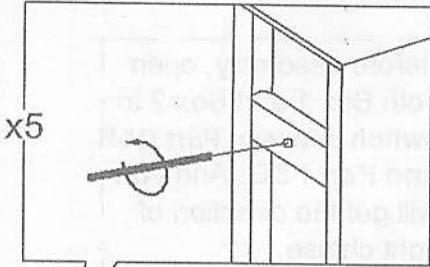
**SOFA - BOX 2**



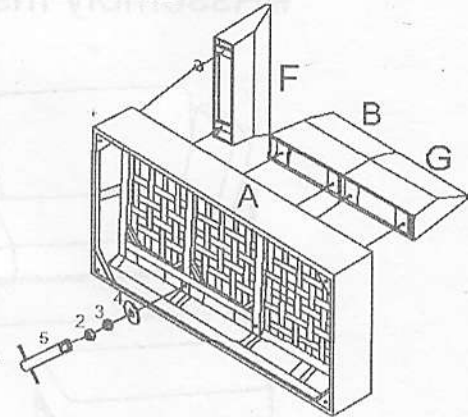
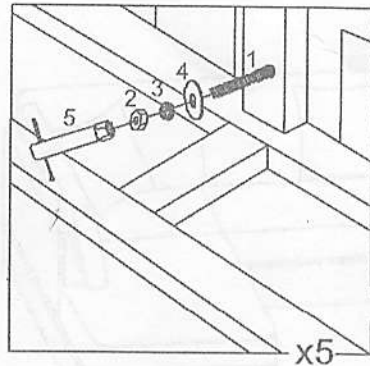
**CHAISE ASSEMBLY INSTRUCTION-BOX 1**

**STEP 1- INSERT THREADED RODS INTO SEAT BACKS**

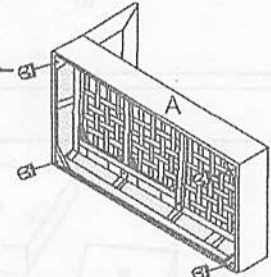
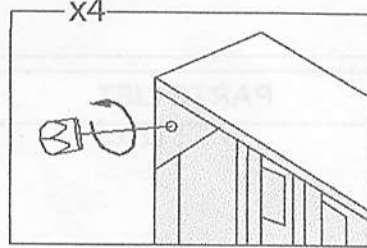
\*Stop when the rod starts coming out on the other end



**STEP 2- MOUNTED SEAT BACKS INTO THE SEAT FRAME**

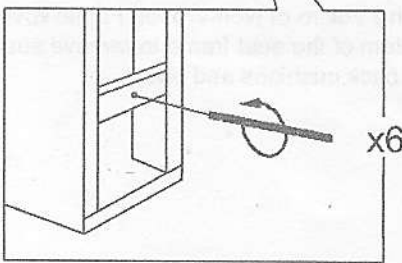
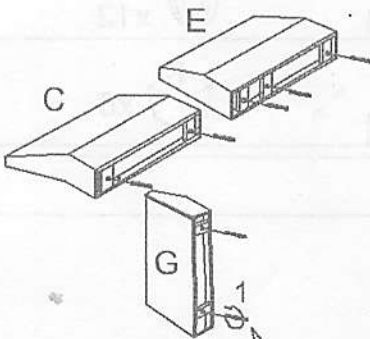


**STEP 3- PUT BACK THE FABRIC COVER AND INSERT LEGS**

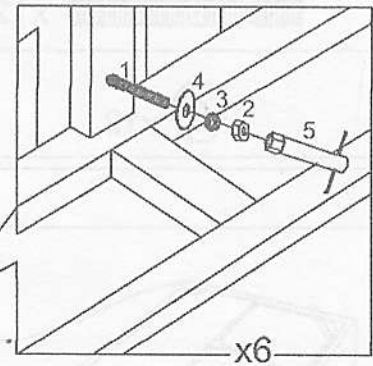
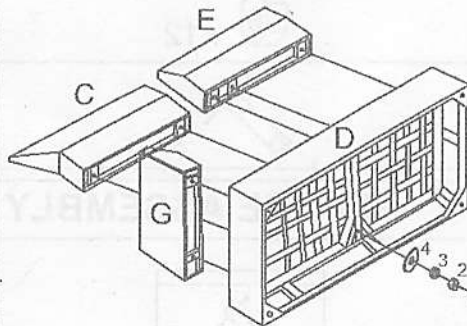


**SOFA ASSEMBLY INSTRUCTION-BOX 2**

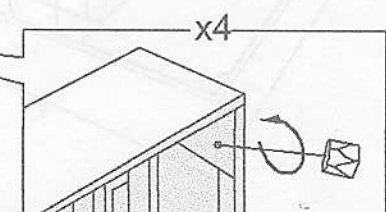
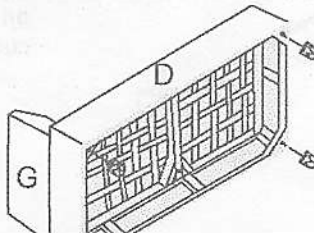
**STEP 1- INSERT THREADED ROD INTO SEAT BACKS**



**STEP 2- MOUNT SEAT BACKS INTO THE SEAT FRAME**



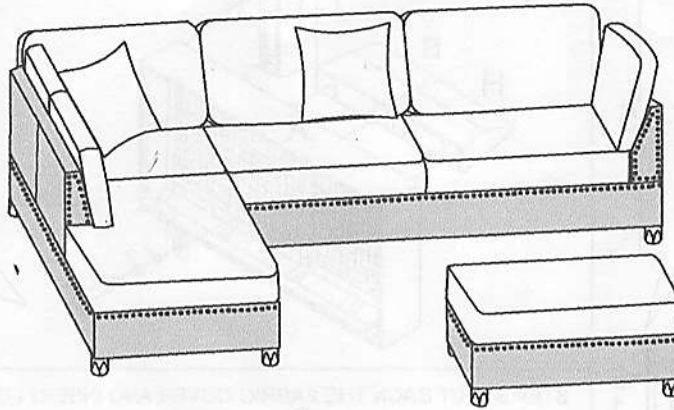
**STEP 3- PUT BACK THE FABRIC COVER AND INSERT LEGS**



# \*\*\* NOTICE BEFORE ASSEMBLY \*\*\*

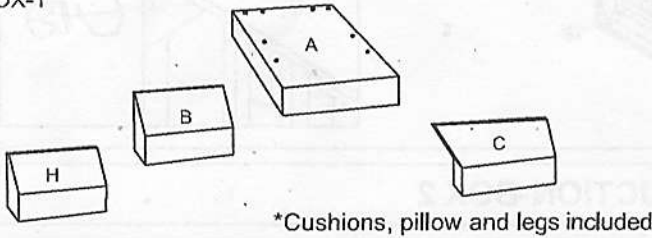
Please choose the **CHAISE** will be on  
the **LEFT** or **RIGHT** hand side.

#Assembly Instruction I: CHAISE ON THE LEFT



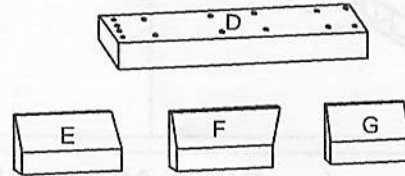
## PARTS LIST

BOX-1




\*Cushions, pillow and legs included

BOX-2




\*Cushions, pillow and legs included

1  x12

2  x12

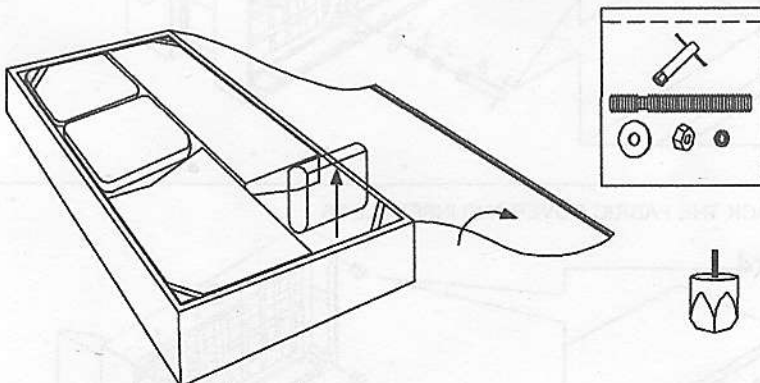
3  x12

4  x12

5  x1

6  x8

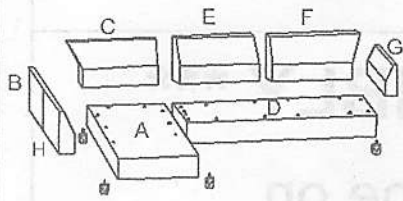
## BEFORE ASSEMBLY



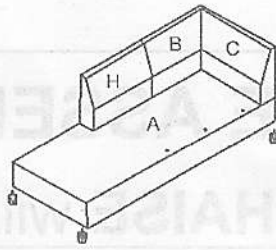
Open up the Velcro of Non-Woven Fabric cover on the bottom of the seat frame to remove seat cushions, back cushions and pillow.



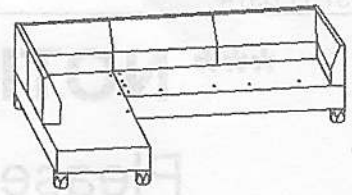
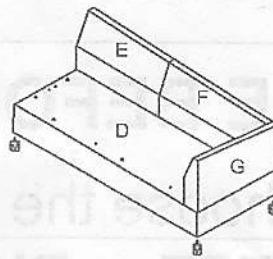
**CHAISE ON THE LEFT**



**CHAISE - BOX 1**



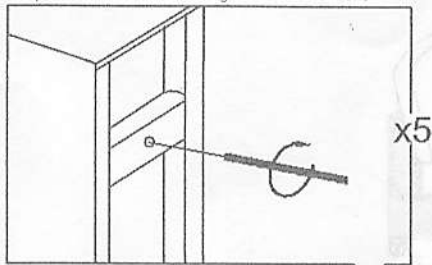
**SOFA - BOX 2**



**CHAISE ASSEMBLY INSTRUCTION-BOX 1**

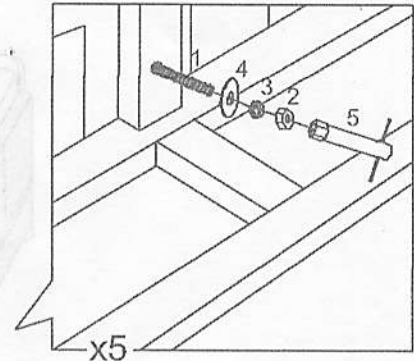
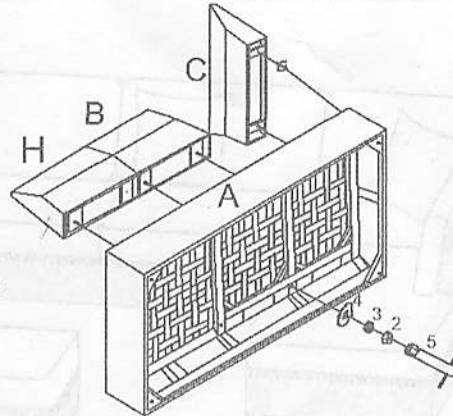
**STEP 1- INSERT THREADED RODS INTO SEAT BACKS**

\*Stop when the rod starts coming out on the other end



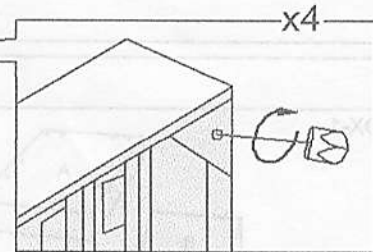
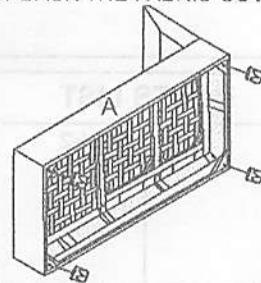
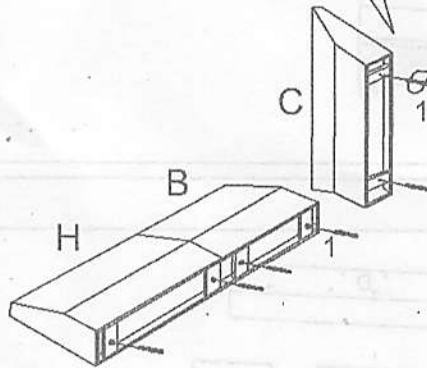
x5

**STEP 2- MOUNTED SEAT BACKS INTO THE SEAT FRAME**



x5

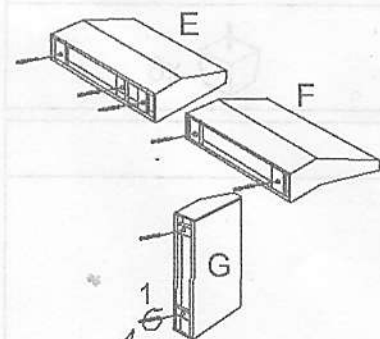
**STEP 3- PUT BACK THE FABRIC COVER AND INSERT LEGS**



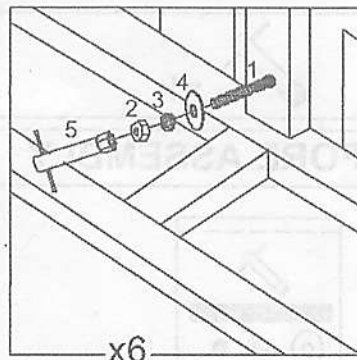
x4

**SOFA ASSEMBLY INSTRUCTION-BOX 2**

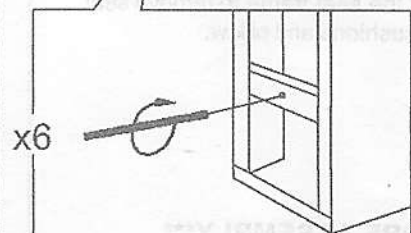
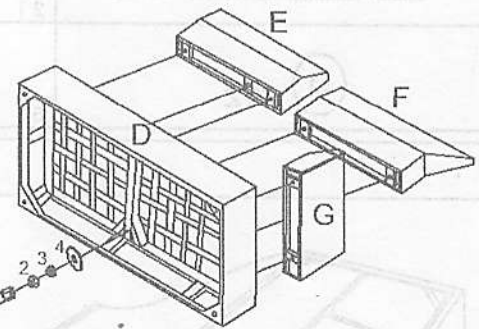
**STEP 1- INSERT THREADED ROD INTO SEAT BACKS**



**STEP 2- MOUNT SEAT BACKS INTO THE SEAT FRAME**

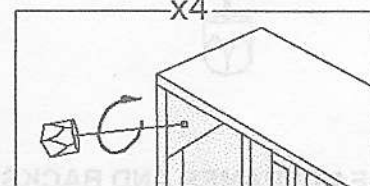


x6

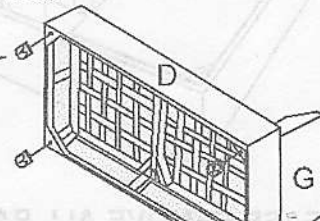


x6

**STEP 3- PUT BACK THE FABRIC COVER AND INSERT LEGS**

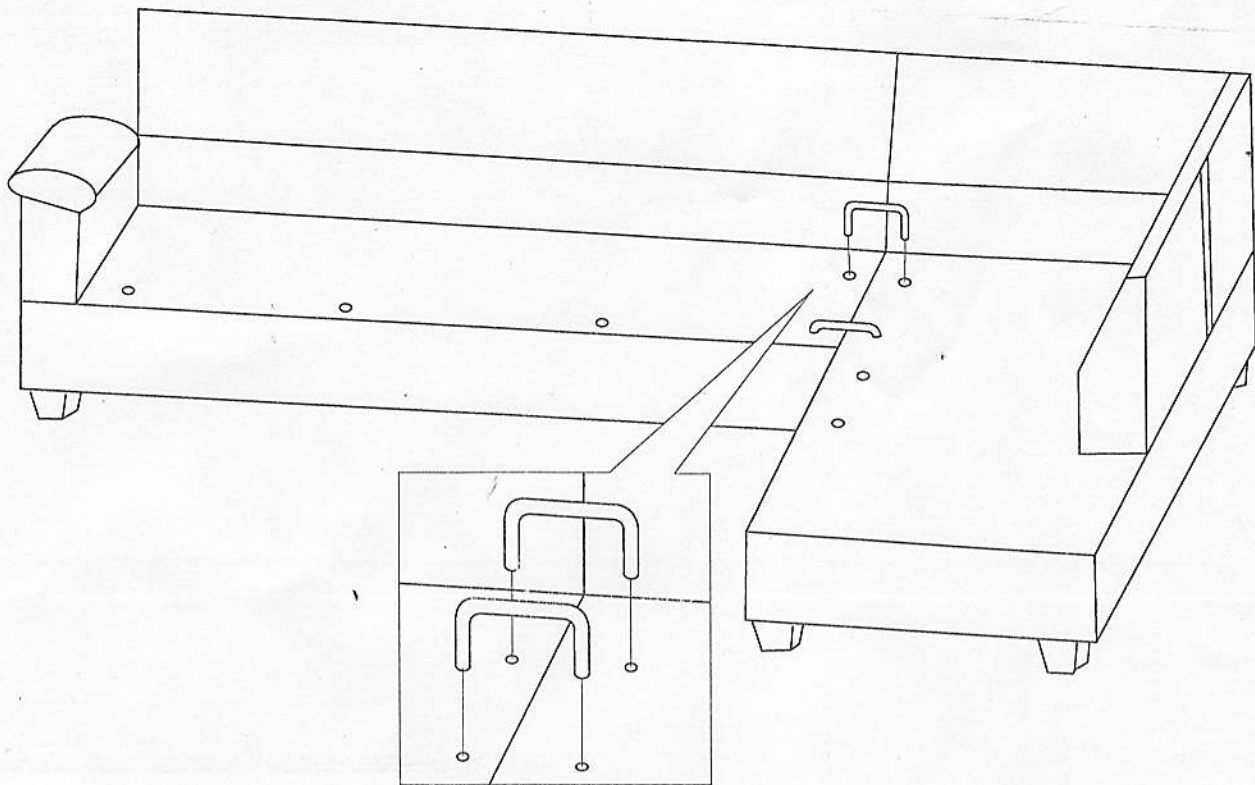


x4



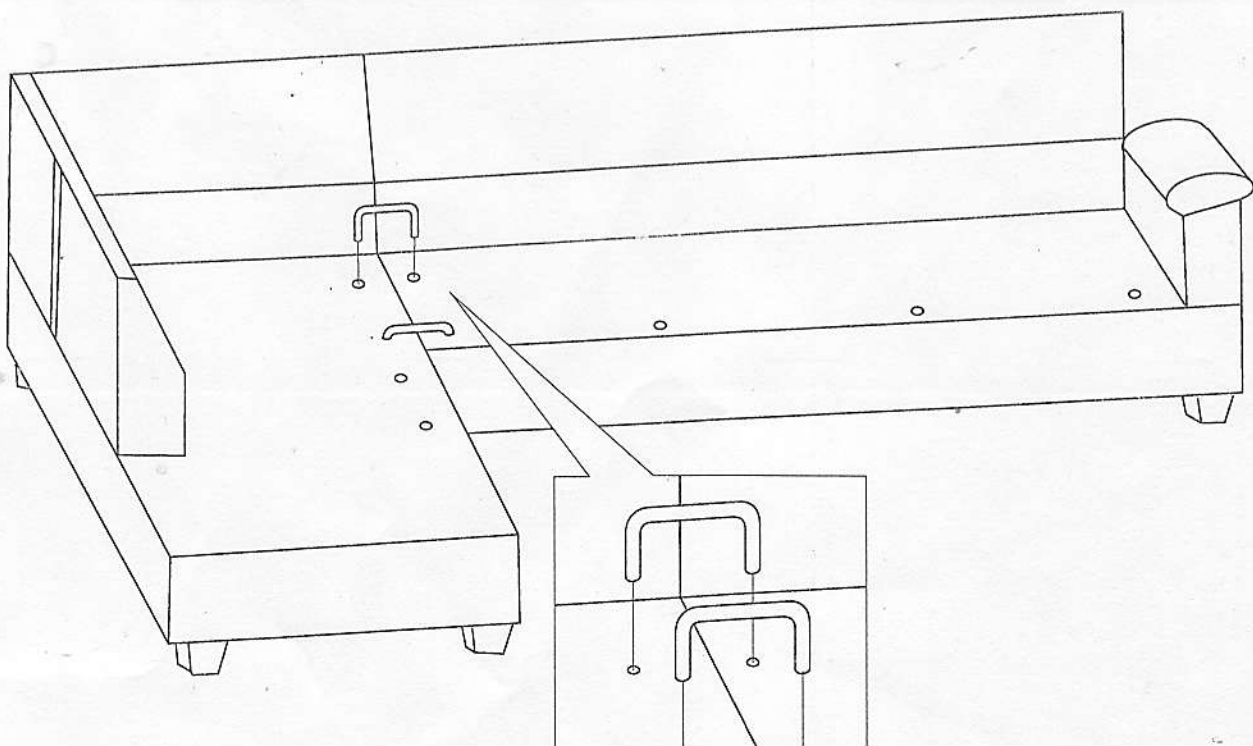
# OPTIONAL: CHAISE + SOFA(SECTIONAL)

**STEP1-INSERT THE "N" SHAPE HANGER INTO THE ONE-ARM CHASE FRAME AND ONE-ARM SOFA FRAME TO ATTACH TOG ETHER**



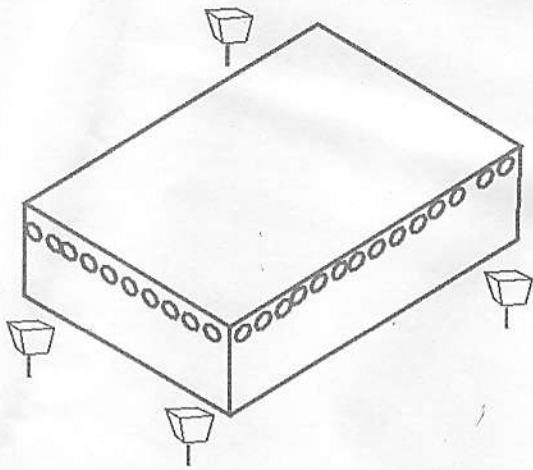
# CHAISE + SOFA(SECTIONAL)

**STEP1-INSERT THE "N" SHAPE HANGER INTO THE ONE-ARM CHASE FRAME AND ONE-ARM SOFA FRAME TO ATTACH TOG ETHER**

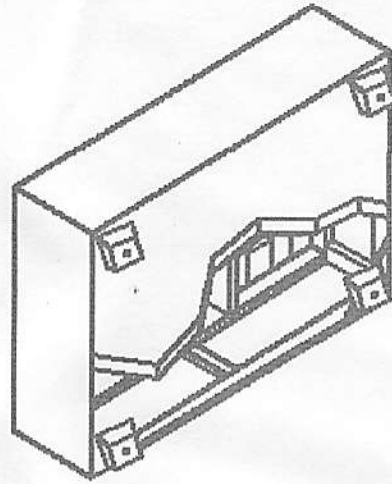


# Assembly Instructions

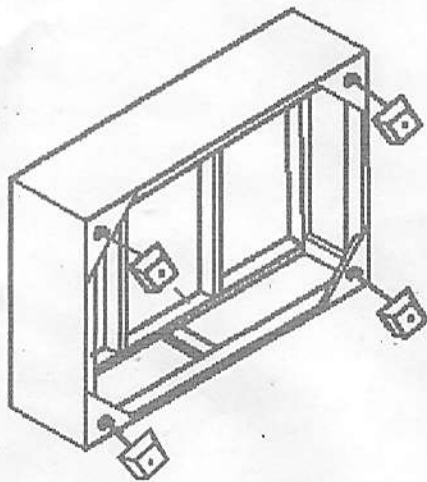
ITEM NO.: F6974



1



2



3

