

BLACK+DECKER

TM

3-IN-1 MORNING MEAL STATION™

ESTACIÓN DE DESAYUNOS 3-EN-1

STATION POUR REPAS MATINAL 3 EN 1

use and care manual
manual de uso y cuidado
guide d'utilisation et d'entretien

WM2000SD



Thank you for your purchase!

Gracias por su compra!

Merci de votre achat!



Register online at
Regístrese en línea en
Enregistrez le produit en ligne à

www.prodprotect.com/blackanddecker



Rate and review your products at
Evalue su producto en
Évaluez vos produits et faites vos commentaires à

www.BlackAndDeckerAppliances.com



Share your pictures & stories with us online
Comparta sus fotografías e historias con nosotros en línea
Partagez vos photos et vos histoires avec nous en ligne



Should you have any questions or concerns with your new product, please call our Customer Service Line at 1-800-465-6070 (US and Canada). Please do not return to the store.

Si usted tiene alguna inquietud o pregunta con su producto, por favor llame a nuestra línea de servicio al cliente una atención inmediata 1-800-465-6070 (EE.UU./Canadá) 01-800-714-2503 (México). No devuelva a la tienda.

Si vous avez des questions ou des préoccupations à propos de votre nouveau produit, veuillez communiquer avec notre Service à la clientèle au 1 800 465-6070 (États-Unis et Canada). Veuillez ne pas rapporter le produit au magasin.

Please Read and Save this Use and Care Book.

IMPORTANT SAFEGUARDS.

When using electrical appliances, basic safety precautions should always be followed to reduce the risk of fire, electric shock, and/or injury, including the following:

- READ ALL INSTRUCTIONS BEFORE USING.
- Do not touch hot surfaces. Only use the heat-resistant handle.
- To protect against electrical shock, do not immerse cord, plug, or appliance in water or other liquid.
- Close supervision is necessary when any appliance is used by or near children.
- Unplug from outlet when not in use and before cleaning. Allow to cool before putting on or taking off parts, and before cleaning the appliance.
- Do not operate any appliance with a damaged cord or plug, or if the appliance malfunctions or has been damaged in any manner. Contact consumer support at the toll-free number listed in the warranty section.
- The use of accessory attachments not recommended by the appliance manufacturer may cause injuries.
- Do not use outdoors.
- Do not let cord hang over edge of table or counter, or touch hot surfaces.
- Do not place on or near a hot gas or electric burner, or in a heated oven.
- Extreme caution must be used when moving an appliance containing hot food.
- To disconnect, remove plug from wall outlet. Do not yank on cord.
- Do not use appliance for other than intended use.
- This appliance is not intended for use by persons (including children) with reduced physical, sensory or mental capabilities, or lack of experience and knowledge, unless they have been given supervision or instructions concerning use of the appliance by a person responsible for their safety.
- Children should be supervised to ensure that they do not play with the appliance.
- When using the appliance, provide adequate air space above and on all sides for circulation.
- Do not use this appliance on an unstable surface.
- Do not attempt to heat or cook non-food items in this appliance.

SAVE THESE INSTRUCTIONS.

This product is for household use only.

POLARIZED PLUG (120V models only)

This appliance has a polarized plug (one blade is wider than the other). To reduce the risk of electric shock, this plug is intended to fit into a polarized outlet only one way. If the plug does not fit fully into the outlet, reverse the plug. If it still does not fit, contact a qualified electrician. Do not attempt to modify the plug in any way

TAMPER-RESISTANT SCREW

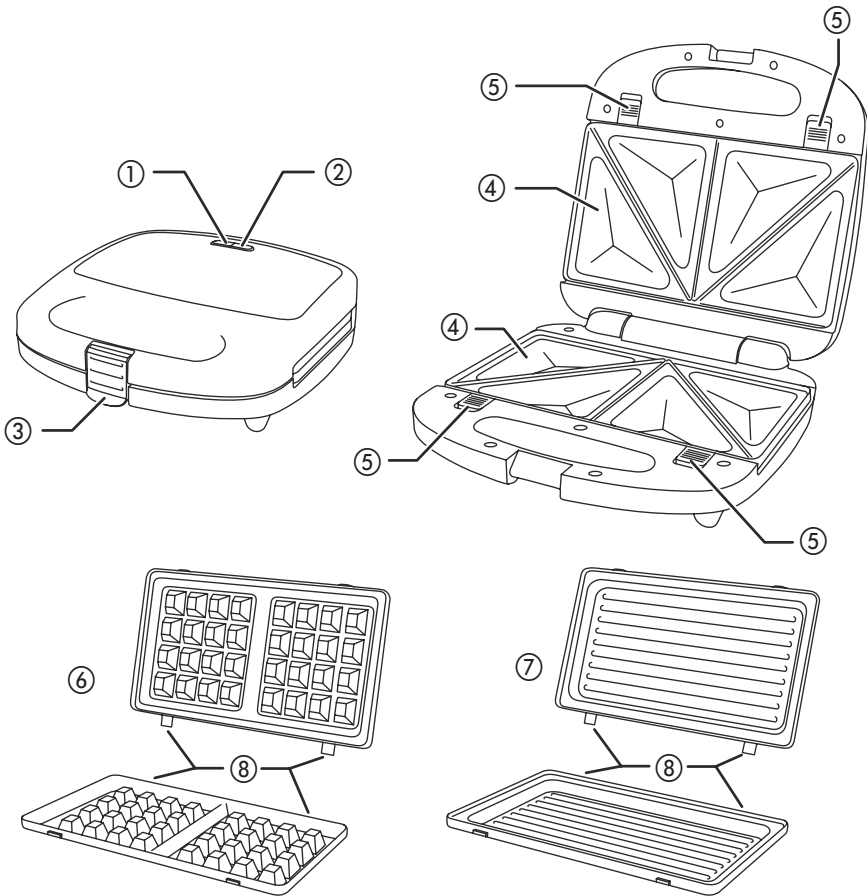
Warning: This appliance is equipped with a tamper-resistant screw to prevent removal of the outer cover. To reduce the risk of fire or electric shock, do not attempt to remove the outer cover. There are no user-serviceable parts inside. Repair should be done only by authorized service personnel.

ELECTRICAL CORD

1. A short power-supply cord is provided to reduce the risk resulting from becoming entangled in or tripping over a longer cord.
2. Extension cords are available and may be used if care is exercised in their use.
3. If a long extension cord is used:
 - a) The marked electrical rating of the extension cord should be at least as great as the electrical rating of the appliance.
 - b) If the appliance is of the grounded type, the extension cord should be a grounding-type 3-wire cord.
 - c) The cord should be arranged so that it will not drape over the countertop or tabletop where it can be pulled on by children or tripped over unintentionally.

Note: If the power cord is damaged, please contact the warranty department listed in these instructions.

GETTING TO KNOW YOUR 3-IN-1 WAFFLEMAKER, GRILL, AND SANDWICH MAKER



1. Power light (red)
2. Ready light (green)
3. Latch (part no. WM2000-04)
4. Sandwich plates (part no. WM2000-01)
5. Release buttons

6. Waffle plates (part no. WM2000-02)
7. Ribbed plates (part no. WM2000-03)
8. Tabs

Product may vary slightly from what is illustrated.

HOW TO USE

This appliance is intended for household use only.

GETTING STARTED

- Remove all packing material, any stickers, and the plastic band around the power plug.
- Remove and save literature.
- Please go to www.prodprotect.com/blackanddecker to register your warranty.
- Before first use, clean appliance and plates according to instructions in the CARE AND CLEANING section of this manual.

ATTACHING THE PLATES

Important: Never power on this appliance without both cooking plates securely attached.

Caution: Attach plates when the appliance is cool.

1. To attach the top plate, insert the longer tabs into the slots closest to the hinge. Press down gently until the plate snaps into place.
2. Securely attach bottom plate using the technique as described in Step 1.



PREPARATION

Note: Aerosol cooking spray should not be used on the plates.

1. Set the appliance on a stable, level, heatproof surface.
2. Close lid and plug cord into outlet.
3. The red power light will come on as long as the appliance is connected to the electricity supply.
4. The green ready light will come on when the elements reach the correct cooking temperature, then cycle on and off with the thermostat.
5. Wait till the green light comes on before starting to cook.

MAKING TOASTIES (sandwich plates)

CAUTION: Don't use raw meat of any kind in the appliance. All fillings must be safe and ready-to-eat before cooking.

1. Cut 4 slices of bread to overlap the plates by about 1/4 inch (0.5cm) on all sides. Fresh sliced bread is best.
2. Spread butter/margarine thinly on each slice. Don't use low fat spread. Low fat spreads may burn, damaging the non-stick surfaces.
3. Toasties are made **buttered side out**. Put 2 slices of bread, buttered side down, on the bottom toasting plate.
4. Press the bread gently into the hollows in the toasting plate with a wooden spoon.
5. Fill the hollows formed in the bread with two level teaspoons of filling per toastie. More than that amount may cause the filling to ooze out.

6. Lay a slice of bread, buttered side up, on top of each of the filled slices.
7. Close the lid, squeeze the handles together, and press in the latch.
8. Cook for 4-5 minutes, or until the outside of the bread turns golden brown.
9. If the toasties stick, use a plastic or wooden spatula to release them.

Savory filling ideas

- | | |
|-------------------------------|----------------------------------|
| Ham and cheese | Chicken (cooked) and mushroom |
| Smoked ham and gouda | Bacon (cooked) and tomato |
| Cheese and onion/celery/apple | Peanut butter, basil, and tomato |

Sweet filling ideas

- | | |
|-----------------------|-------------------------------|
| Apple and cinnamon | Banana and butterscotch sauce |
| Apple and raspberries | Cherry and almonds |
| Banana and honey | Peanut butter and jelly |

Variations

Use pastry, pizza base, or ciabatta instead of ordinary bread; try garlic or herb butter.

GRILLING (ribbed plates)

1. Cut the food to be grilled no more than 3/8 inch (10mm) thick.
2. Wipe the grill plates with a little cooking oil or butter. Don't use low fat spread - it may burn on to the grill.
3. Lay the food on the bottom grill plate with a spatula or tongs, not fingers. Don't use anything metal or sharp, you'll damage the non-stick surfaces.
4. Close the grill. Don't use the latch.
5. Allow time for the food to cook and check for doneness after 5 minutes. Continue to cook until done. Times will vary depending on the type of food.

Please note: To ensure meat is fully cooked, the USDA recommends: Use a meat thermometer by inserting it into the center of the meat. Make sure it's not touching bone, fat, or gristle.

The safe minimum internal temperature for beef, veal, pork, and lamb (pieces and whole cuts) is 145°F (63°C). Then allow the meat to rest for three minutes before cutting or consuming.

Ground meat should be cooked to 160°F (72°C). Poultry should be cooked to 165°F (74°C). Ground meat and poultry don't require a rest time.

WAFFLES (waffle plates)

1. Prepare the batter.
2. Pour about 3 Tbsp. (40ml) of mixture over each half of the bottom plate.
3. Close the grill. Don't use the latch.
4. Grill the waffles until golden brown (check after 3 minutes).

CARE AND CLEANING

This product contains no user serviceable parts. Refer service to qualified service personnel.

1. Unplug the appliance and let it cool before cleaning and storing.
2. Wash the plates in warm water with dish soap or in the dishwasher. Wipe dry.
3. Wipe outside of unit with a warm, wet sponge. Dry with soft, dry cloth.
 - Don't put the appliance in water or any other liquid.
 - Don't use harsh or abrasive cleaning agents or solvents.
 - Don't use scourers, wire wool, or soap pads.

At the places where the top and bottom toasting plates make contact, the non-stick surfaces may show signs of wear. This is purely cosmetic, and will not affect the operation of the appliance.

RECIPES

Snickerdoodle Waffle

A classic, waffled: *The cinnamon and sugar of a snickerdoodle cookie turned into a waffle, perfect for a fun morning with the kids.*

Prep Time: 15 minutes

Cook Time: 40 minutes

Total Time: 55 minutes

Servings: 6

Serving Size: 1 waffle

Waffle Ingredients:

1/2 cup (1 stick) butter, softened

3/4 cup granulated sugar

1/2 cup packed light brown sugar

2 eggs

1 tsp. vanilla

1 1/2 cups flour

1 tsp. baking powder

1 1/2 tsp. cream of tartar

2 tsp. cinnamon

1/4 tsp. salt

1/2 cup whole milk

Cinnamon Sugar Ingredients:

3 Tbsp. granulated sugar

2 tsp. cinnamon

Directions:

1. Insert waffle plates into sandwich maker; preheat sandwich maker.
2. In a large bowl, cream the butter. Add the sugars and mix until incorporated.
3. Add the eggs and vanilla and mix until combined.
4. In a medium bowl, whisk together the flour, baking powder, cream of tartar, cinnamon and salt.
5. Add half of the dry mixture to the wet mixture and stir to combine. Pour in half of the milk and stir to incorporate. Repeat with the remaining dry mixture and milk.
6. In a small bowl, stir together the cinnamon sugar ingredients.
7. Grease the preheated waffle plates with cooking spray and spoon 1/3 cup batter into the center of each waffle section.
8. Sprinkle with 1 tsp. cinnamon sugar mix and close the lid.
9. Cook for 12-13 minutes until waffles are golden brown.
10. Drizzle with maple syrup, if desired, and serve warm.

Hot Ham and Cheese Breakfast Sandwich

Best Breakfast: *Make the traditional hot ham and cheese even more epic with scrambled eggs and a tangy Dijon sauce.*

Prep Time: 15 minutes

Cook Time: 30 minutes

Total Time: 45 minutes

Servings: 4

Serving Size: 1 sandwich

Ingredients:

1 Tbsp. butter	1/4 tsp. salt
4 eggs, beaten	1/4 tsp. pepper
3 Tbsp. Dijon mustard	8 slices deli ham
2 Tbsp. honey	4 slices sharp cheddar cheese
1 Tbsp. Worcestershire	4 bakery croissants, cut in half
1 tsp. minced garlic	

Directions:

1. Insert sandwich plates into sandwich maker; preheat sandwich maker.
2. In a large skillet, melt the butter over medium heat. Add the eggs and scramble until just cooked through, about 2-3 minutes. Remove from heat and set aside.
3. In a small bowl, stir together the mustard, honey, Worcestershire, garlic, salt and pepper.
4. Spread the honey mustard sauce on the cut sides of the croissants. On the bottom halves of the croissants, layer the scrambled eggs and ham. Add cheese then place the remaining croissant halves on each sandwich.
5. Place one sandwich in the preheated sandwich plates and close the lid.
6. Cook for 7-8 minutes until cheese is melted and croissant is crispy. Repeat with remaining sandwiches.
7. Enjoy with a side of fruit and OJ or coffee.

Maple Bacon Cornbread

The sweetness of maple syrup combined with the saltiness of bacon is a match made in hog heaven.

Prep Time: 5 minutes
 Cook Time: 25 minutes
 Total Time: 30 minutes

Servings: 8
 Serving Size: 1 piece of cornbread

Ingredients:

1 (8.5 oz) box corn muffin mix	3 Tbsp. pure maple syrup
1 egg	1 tsp. maple extract
1/3 cup milk	4 slices cooked bacon, crumbled

Directions:

1. Insert griddle plates into sandwich maker; preheat sandwich maker.
2. In a large bowl, stir together corn muffin mix, egg and milk. Add maple syrup and maple extract and stir to combine. Fold in crumbled bacon.
3. Grease the preheated griddle plates with cooking spray and spoon 2 Tbsp. mixture into the center of the plates. (It will spread out as it cooks.)
4. Close the lid and cook for 11-13 minutes until cornbread is golden brown. Repeat with remaining batter.
5. Serve with your favorite chili recipe.

Breakfast Pizza Waffle

Pizza for Breakfast: *Take this spin on breakfast pizza to the next level by waffling hashbrowns to crispy perfection.*

Prep Time: 5 minutes
Cook Time: 40 minutes
Total Time: 45 minutes

Servings: 5
Serving Size: 1 waffle

Waffle Ingredients:

1/2 cup (1 stick) butter, melted	1/2 tsp. salt
4 cups frozen Hashbrowns, not thawed*	1/2 tsp. pepper
2 eggs, beaten	2 tsp. pizza seasoning
1/4 cup flour	1/2 cup crumbled cooked turkey sausage
1/2 tsp. baking powder	1/2 cup pizza shredded cheese

*Tip: keeping the hashbrowns cold will help to keep them from sticking in the waffle maker.

Directions:

1. Insert waffle plates into sandwich maker; preheat sandwich maker.
2. In a large bowl, stir together the melted butter, hashbrowns and eggs until hashbrowns are well coated.
3. Add the remaining ingredients and stir to combine.
4. Grease the preheated waffle plates with cooking spray and spoon 1/2 cup batter into the center of each waffle section.
5. Close the lid and cook for 12-14 minutes until waffles are golden brown. Repeat with remaining batter.
6. Serve with pizza sauce for dipping.

WARRANTY INFORMATION

For service, repair or any questions regarding your appliance, call the appropriate 800 number listed within this section. Please **DO NOT** return the product to the place of purchase. Also, please **DO NOT** mail product back to manufacturer, nor bring it to a service center. You may also want to consult the website listed on the cover of this manual.

Two-Year Limited Warranty (Applies only in the United States and Canada)

What does my warranty cover?

- Your warranty covers any defect in material or workmanship provided; however, the liability of Spectrum Brands, Inc. will not exceed the purchase price of product.

For how long?

- Two years from the date of original purchase with proof of purchase.

What will we do to help you?

- Provide you with a reasonably similar replacement product that is either new or factory refurbished.

How do you get service?

- Save your receipt as proof of date of sale.
- Visit the online service website at www.prodprotect.com/blackanddecker, or call toll-free **1-800-465-6070**, for general warranty service.
- If you need parts or accessories, please call **1-800-738-0245**.

What does your warranty not cover?

- Damage from commercial use
- Damage from misuse, abuse or neglect
- Products that have been modified in any way
- Products used or serviced outside the country of purchase
- Glass parts and other accessory items that are packed with the unit
- Shipping and handling costs associated with the replacement of the unit
- Consequential or incidental damages (Please note, however, that some states do not allow the exclusion or limitation of consequential or incidental damages, so this limitation may not apply to you.)

How does state law relate to this warranty?

- This warranty gives you specific legal rights. You may also have other rights that vary from state to state or province to province.

Por favor lea este instructivo antes de usar el producto.

INSTRUCCIONES IMPORTANTES DE SEGURIDAD

Cuando se utilizan aparatos eléctricos, siempre se debe respetar ciertas medidas de seguridad a fin de reducir el riesgo de un incendio, un choque eléctrico y (o) lesiones a las personas, incluyendo las siguientes:

- Por favor lea todas las instrucciones.
- No toque las superficies calientes, utilice las asas o las perillas.
- Con el fin de protegerse contra el riesgo de un choque eléctrico, no sumerja el cable, el enchufe ni ninguna otra parte de esta parrilla/waflera en agua ni en ningún otro líquido.
- Todo aparato que se use cerca de menores de edad o por ellos mismos requiere mucha supervisión.
- Desconecte la unidad del tomacorriente antes de limpiarla y cuando no esté en uso. Permita que se enfríe antes de limpiarla.
- No opere ningún aparato si el cable o el enchufe presentan cualquier desperfecto, si la unidad no funciona bien o se ha dejado caer o si ha sufrido daño de cualquier naturaleza. Devuelva el producto al centro de servicio autorizado más cercano para que lo examinen, reparen o realicen cualquier ajuste electrónico o mecánico, o llame al número apropiado gratis que aparece en la portada de este manual.
- El uso de accesorios no recomendados por el fabricante del producto puede ocasionar incendio, choque eléctrico o lesiones personales.
- Para desconectar, gire la perilla de control a la posición de apagado (OFF), luego sujete el enchufe y retírelo del tomacorriente. No le de un tirón al cable.
- No use aparato a la intemperie.
- No permita que el cable cuelgue del borde de la mesa o del mostrador ni que entre en contacto con superficies calientes incluyendo la estufa.
- No coloque la unidad sobre ni cerca de una hornilla de gas o eléctrica, ni dentro de un horno caliente.
- Tenga mucho cuidado al mover la unidad de un lugar a otro especialmente si contiene líquido o aceite caliente.
- No use la unidad con otro fin más que para lo que ha sido diseñada.

CONSERVE ESTAS INSTRUCCIONES.

Este aparato eléctrico es para uso doméstico solamente.

ENCHUFE POLARIZADO

Este aparato cuenta con un enchufe polarizado (un contacto es más ancho que el otro). A fin de reducir el riesgo de un choque eléctrico, este enchufe encaja en un tomacorriente polarizada en un solo sentido. Si el enchufe no entra en le tomacorriente, invíértalo y si aun así no encaja, consulte con un electricista. Por favor no trate de alterar esta medida de seguridad.

TORNILLO DE SEGURIDAD

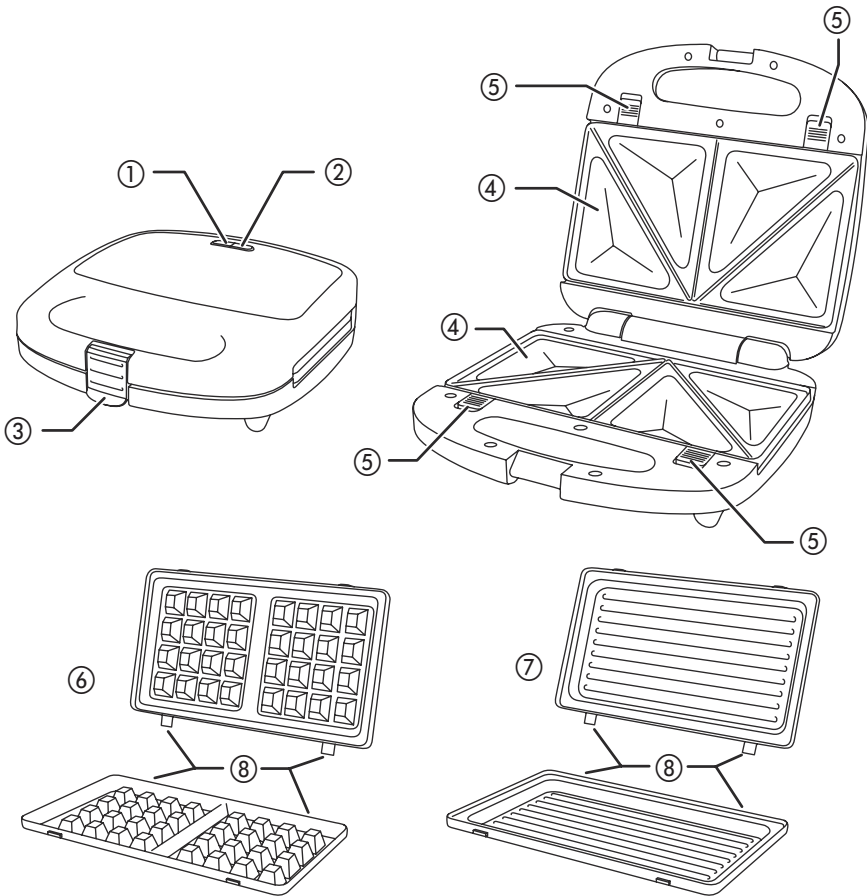
Advertencia: Este aparato cuenta con un tornillo de seguridad para evitar la remoción de la cubierta exterior del mismo. A fin de reducir el riesgo de incendio o de choque eléctrico, por favor no trate de remover la cubierta exterior. Este producto no contiene piezas reparables por el consumidor. Toda reparación se debe llevar a cabo únicamente por personal de servicio autorizado

CABLE ELÉCTRICO

- a) Un cable de alimentación corto es provisto para reducir los riesgos de enredarse o tropezar con un cable más largo.
- b) Existen cables de extensión disponibles y estos pueden ser utilizados si se toma el cuidado debido en su uso.
- c) Si se utiliza un cable de extensión:
 - 1) La clasificación eléctrica marcada del cable de extensión debe ser, como mínimo, igual a la clasificación eléctrica del aparato;
 - 2) Si el aparato es del tipo de conexión a tierra, el cable de extensión debe ser un cable de tres alambres de conexión a tierra; y
 - 3) El cable debe ser acomodado de manera que no cuelgue del mostrador o de la mesa para evitar que un niño tire del mismo o que alguien se tropiece sin darse cuenta.

Nota: Si el cable de alimentación está dañado, por favor llame al número del departamento de garantía que aparece en estas instrucciones.

CONOZCA SU WAFLERA, PARRILLA Y SANDWICHERA 3-EN-1



1. Luz de funcionamiento (roja)
2. Luz de listo (verde)
3. Palanca (pieza no. WM2000-04)
4. Placas para sándwiches
5. Botones de liberación

6. Placas para waffles (pieza no. WM2000-02)
7. Placas acanaladas (pieza no. WM2000-03)
8. Lengüetas

El producto puede variar ligeramente del que aparece ilustrado aquí.

COMO USAR

Este aparato es solamente para uso doméstico.

PRIMEROS PASOS

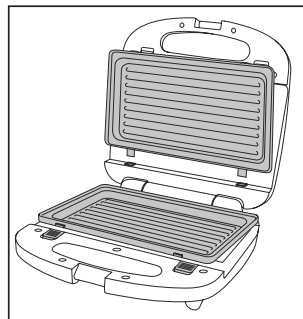
- Retire todo material de empaque, etiquetas y la banda plástica alrededor del enchufe.
- Retire y conserve la literatura.
- Por favor visite www.prodprotect.com/blackanddecker para registrar su garantía.
- Antes del primer uso, limpie el aparato y las placas de cocción de acuerdo a las instrucciones descritas en la sección de CUIDADO Y LIMPIEZA de este manual.

INSTALACIÓN DE LAS PLACAS

Importante: Nunca active este aparato sin que ambas placas de cocción estén instaladas aseguradamente.

Precaución: Instale las placas cuando el aparato esté frío.

1. Para instalar la placa superior, inserte las lengüetas más largas dentro de las ranuras más cercanas a la bisagra. Presione ligeramente hasta que la placa encaje en su lugar.
2. Instale de manera segura la placa inferior, utilizando el procedimiento descrito en el paso 1.



PREPARACIÓN

Nota: Aceite para cocinar en aerosol no debe ser utilizado en las placas de cocción.

1. Coloque el aparato sobre una superficie estable, nivelada, a prueba de calor.
2. Cierre la tapa y enchufe el cable de alimentación a un tomacorriente.
3. La luz roja de funcionamiento se iluminará siempre y cuando el aparato esté conectado a la electricidad.
4. La luz verde de listo se iluminará cuando los elementos de calor alcancen la temperatura de cocción adecuada, luego se encenderá y apagará con el termostato.
5. Espere hasta que la luz verde se ilumine antes de comenzar a cocinar.

PREPARACIÓN DE SÁNDWICHES TOSTADOS (placas para sándwiches)

PRECAUCIÓN: No utilice ningún tipo de carne cruda en el aparato. Todos los rellenos deben ser frescos y estar listos para comer antes de la cocción.

1. Corte 4 rebanadas de pan que sobresalgan de las placas aproximadamente 1/4 de pulgada (0.5cm) por todos los lados. El pan fresco brinda los mejores resultados.

2. Unte una capa fina de mantequilla/margarina en cada rebanada. No utilice mantequilla ni margarina baja en grasa. Éstas pueden quemar y dañar las superficies antiadherentes.
3. Los sándwiches tostados se cocinan con el **lado enmantequillado mirando hacia afuera**. Coloque 2 rebanadas de pan, con el lado enmantequillado mirando hacia abajo, en la placa inferior.
4. Utilizando una cuchara de madera, presione el pan ligeramente dentro las secciones ahuecadas en la placa.
5. Llene los ahuecados formados en el pan con 2 cucharaditas de relleno al ras por cada sándwich tostado. Si se utiliza más de esta cantidad, esto puede causar que el relleno se salga.
6. Coloque una rebanada de pan, con el lado enmantequillado hacia arriba, encima de cada rebanada rellena.
7. Cierre la tapa, junte las asas y presione la palanca.
8. Cocine por 4 a 5 minutos o hasta que el lado exterior del pan se dore.
9. Si los sándwiches tostados se pegan, use una espátula plástica o de madera para despegarlos de la placa de cocción.

Ideas para rellenos sabrosos

Jamón y queso

Jamón ahumado y queso gouda

Queso y cebolla/apio/manzana

Pollo (cocinado) y champiñones

Tocino (cocinado) y tomate

Mantequilla de maní, albahaca y tomate

Ideas para rellenos dulces

Manzana y canela

Manzana y frambuesas

Plátano y miel

Plátano y salsa “butterscotch”

Cerezas y almendras

Mantequilla de maní y mermelada

Variantes

Use pan de pastel, pizza o ciabatta en vez de pan común; pruebe con pan de ajo o mantequilla con hierbas.

COCCIÓN A LA PARRILLA (placas acanaladas)

1. Corte el alimento a cocinar no más de 3/8 de pulgada (10mm) de grosor.
2. Unte un poco de aceite para cocinar o mantequilla en las placas de parrilla. No unte aceite ni mantequilla bajo en grasa—éste puede quemarse sobre la placa de parrilla.
3. Coloque los alimentos en la placa de parrilla inferior utilizando una espátula o pinzas de cocina; nunca los dedos. No utilice ningún otro tipo de material ni utensilio afilado, esto dañará las superficies antiadherentes.
4. Cierre la parrilla. No utilice la palanca.
5. Dele tiempo a los alimentos para que se cocinen y verifique el punto de cocción después de haber pasado 5 minutos. Continúe cocinando hasta que estén cocinados. Los tiempos de cocción variarán dependiendo del tipo de alimento.

Por favor tome en cuenta: Para asegurarse de que la carne esté cocinada completamente, el Departamento de Agricultura de los Estados Unidos (USDA) recomienda: Utilizar un termómetro para carnes, insertándolo en el centro de la carne. Asegúrese de que el termómetro no toque el hueso, la grasa ni el cartílago.

La temperatura interna mínima adecuada para carne de res, ternera, cerdo y cordero (piezas y cortes completos) es de 145°F (63°C). Luego permita que la carne repose por 3 minutos antes de cortarla o consumirla.

La carne molida debe ser cocinada a una temperatura de 160°F (72°C). Las aves deben ser cocinadas a una temperatura de 165°F (74°C). La carne molida y las aves no requieren tiempo de reposo.

WAFFLES (placas para waffles)

1. Prepare la mezcla.
2. Vierta alrededor de 3 cucharadas (40ml) de la mezcla sobre cada mitad de la placa inferior.
3. Cierre el aparato. No utilice la palanca.
4. Cocine los waffles hasta que estén dorados (después de 3 minutos, revíselos).

CUIDADO Y LIMPIEZA

Este producto no contiene piezas que deban ser reparadas por el usuario. Para obtener servicio, comuníquese con personal de servicio calificado.

1. Desenchufe el aparato y déjelo enfriar antes de limpiar y almacenarlo.
2. Lave las placas en agua caliente con líquido de fregar o en la máquina lavaplatos. Séquelas bien.
3. Limpie el exterior de la unidad con una esponja mojada en agua caliente. Seque con un paño suave y seco.
 - No coloque el aparato en agua ni en ningún otro líquido.
 - No utilice agentes limpiadores abrasivos ni con químicos.
 - No utilice estropajos de metal ni almohadillas de jabón.

En las áreas donde la placa superior e inferior hacen contacto, podría ocurrir que las superficies antiadherentes muestren señales de desgaste. Esto solo afectará la apariencia y no el funcionamiento del aparato.

RECETAS

Waffle de Azúcar de Canela (“Snickerdoodle”)

Un clásico, hecho en waffle: La canela y azúcar de una galletica “snickerdoodle” convertida en un waffle, perfecto para disfrutar una mañana divertida con los niños.

Tiempo de preparación: 15 minutos

Porciones: 6

Tiempo de cocción: 40 minutos

Tamaño de la porción: 1 waffle

Tiempo total: 55 minutos

Ingredientes para los waffles:

1/2 taza (1 barra) de mantequilla,
ablandada

1 1/2 tazas de harina

3/4 taza de azúcar granulada

1 cucharadita de polvo de hornear

1/2 taza de azúcar moreno clara,
compacta

1 1/2 cucharadita de cremor tártaro

2 huevos

2 cucharaditas de canela

1 cucharadita de vainilla

1/4 cucharadita de sal

1/2 taza de leche

Ingredientes para la azúcar de canela:

3 cucharadas de azúcar granulada

2 cucharaditas de canela

Preparación:

1. Instale las placas para waffles en la sandwichera; precaliente la sandwichera.
2. En un recipiente grande, acream la mantequilla. Añada los dos tipos de azúcar y mezcle hasta que queden incorporadas.
3. Añada los huevos y la vainilla y mezcle hasta que estén combinados.
4. En un recipiente mediano, bata la harina, el polvo de hornear, el cremor tártaro, la canela y la sal.
5. Añada la mitad de la mezcla seca a la mezcla mojada y revuelva para mezclarlas. Vierta la mitad de la leche y revuelva para incorporarla. Repita con el resto de la mezcla seca y la leche.
6. En un recipiente pequeño, revuelva los ingredientes de la canela de azúcar.
7. Engrase las placas para waffles precalentadas con aceite para cocinar en spray y utilizando una cuchara, vierta 1/3 de taza de la mezcla en el centro de cada sección de waffle.
8. Espolvoree con 1 cucharadita de la mezcla de azúcar de canela y cierre la tapa.
9. Cocine por 12 a 13 minutos hasta que los waffles estén dorados.
10. Rocíe con sirope de arce, si lo desea, y sirva caliente.

Sándwich Caliente de Jamón y Queso para Desayuno

El mejor desayuno: Prepare el sándwich tradicional de jamón y queso de manera aún más genial, con huevos revueltos y una salsa agridulce de mostaza Dijon.

Tiempo de preparación: 15 minutos

Porciones: 4

Tiempo de cocción: 30 minutos

Tamaño de la porción: 1 sándwich

Tiempo total: 45 minutos

Ingredientes:

1 cucharada de mantequilla

1/4 cucharadita de pimienta

4 huevos, batidos

8 rebanadas de jamón de Deli

3 cucharadas de mostaza Dijon

4 rebanadas de queso cheddar sabor fuerte

2 cucharadas de miel

1 cucharada de salsa Worcestershire

4 croissants de la panadería, cortados a la mitad

1 cucharadita de ajo bien picadito

1/4 cucharadita de sal

Preparación:

1. Instale las placas para sándwiches en la sandwichera; precaliente la sandwichera.
2. En un sartén grande, derrita la mantequilla a temperatura mediana. Añada los huevos y revuélvalos hasta que estén casi cocinados, alrededor de 2 a 3 minutos. Retire del calor y deje a un lado.
3. En un recipiente pequeño, revuelva la mostaza, la miel, la salsa Worcestershire, el ajo, la sal y la pimienta.
4. Esparza la salsa de miel y mostaza sobre los lados cortados de los croissants. En las mitades inferiores de los croissants, acomode los huevos revueltos y el jamón. Añada el queso y después coloque el resto de las mitades de los croissants en cada sándwich.
5. Coloque un sándwich en las placas precalentadas y cierre la tapa.
6. Cocine por 7 a 8 minutos hasta que el queso esté derretido y el croissant esté crujiente. Repita con el resto de los sándwiches.
7. Disfrute con un acompañante de fruta y jugo de naranja o café.

Pan de Maíz con Tocino de Arce

El sabor dulce del sirope de arce combinado con el sabor salado del tocino, una combinación hecha en el cielo.

Tiempo de preparación: 5 minutos

Porciones: 8

Tiempo de cocción: 25 minutos

Tamaño de la porción: 1 pedazo de pan de maíz

Tiempo total: 30 minutos

Ingredientes:

1 (8.5 oz) caja de mezcla de harina para panquecitos de maíz

3 cucharadas de sirope de arce puro

1 huevo

1 cucharadita de extracto de arce

1/3 taza de leche

4 tiras de tocino cocinado, desmoronado

Preparación:

1. Instale las placas de parrilla en la sandwichera; precaliente la sandwichera.
2. En un recipiente grande, revuelva la mezcla de harina para panquecitos de maíz, el huevo y la leche. Añada el sirope de arce y el extracto de arce y revuelva para combinarlos. Incorpore el tocino desmoronado.
3. Engrase las placas de parrilla con aceite en spray y utilizando una cuchara, vierta 2 cucharadas de la mezcla en el centro de cada placa. (La mezcla se esparcerá mientras se cocina.)
4. Cierre la tapa y cocine por 11 a 13 minutos hasta que el pan de maíz se dore. Repita el proceso con el resto de la mezcla.
5. Sirva con su receta favorita de chili.

Waffle de Pizza para Desayuno

***Pizza para el desayuno:** Lleve a un nuevo nivel este giro en pizza para el desayuno al preparar waffles de papas ralladas, perfectamente crujientes.*

Tiempo de preparación: 5 minutos

Porciones: 5

Tiempo de cocción: 40 minutos

Tamaño de la porción: 1 waffle

Tiempo total: 45 minutos

Ingredientes para los waffles:

1/2 taza (1 barra) de mantequilla, derretida

1/2 cucharadita de sal

4 tazas de papas ralladas congeladas, sin descongelar*

1/2 cucharadita de pimienta

2 huevos, batidos

2 cucharaditas de sazón para pizza

1/4 taza de harina

1/2 taza de salchicha de pavo, cocinada y desmoronada

1/2 cucharadita de polvo de hornear

1/2 taza de queso rallado para pizza

*Consejo: Mantener las papas ralladas frías ayudará a evitar que se peguen en la waflera.

Preparación:

1. Instale las placas para waffles en la sandwichera, precaliente la sandwichera.
2. En un recipiente grande, revuelva la mantequilla derretida, las papas ralladas y los huevos hasta que las papas ralladas estén bien cubiertas.
3. Añada el resto de los ingredientes y revuelva bien para combinarlos.
4. Engrase las placas para waffles con aceite para cocinar en spray y utilizando una cuchara, vierta 1 taza de la mezcla en el centro de cada sección para waffle.
5. Cierre la tapa y cocine por 12 a 14 minutos hasta que los waffles estén dorados. Repita el proceso con el resto de la mezcla.
6. Sirva con salsa de pizza para mojar.

PÓLIZA DE GARANTÍA

(Válida sólo para México)

DURACIÓN

Spectrum Brands de México, SA de CV garantiza este producto por 2 años a partir de la fecha original de compra.

¿Qué cubre esta garantía?

- Esta Garantía cubre cualquier defecto que presenten las piezas, componentes y la mano de obra contenidas en este producto.
- Requisitos para hacer válida la garantía
- Para reclamar su Garantía deberá presentar al Centro de Servicio Autorizado la póliza sellada por el establecimiento en donde adquirió el producto. Si no la tiene, podrá presentar el comprobante de compra original.

¿Dónde hago válida la garantía?

- Llame sin costo al teléfono 01 800 714 2503, para ubicar el Centro de Servicio Autorizado más cercano a su domicilio en donde usted podrá encontrar partes, componentes, consumibles y accesorios.

Procedimiento para hacer válida la garantía

Acuda al Centro de Servicio Autorizado con el producto con la póliza de Garantía sellada o el comprobante de compra original, ahí se reemplazará cualquier pieza o componente defectuoso sin cargo alguno para el usuario final. Esta Garantía incluye los gastos de transportación que se deriven de su cumplimiento.

Excepciones

Esta Garantía no será válida cuando el producto:

- A) Se hubiese utilizado en condiciones distintas a las normales.
- B) No hubiese sido operado de acuerdo con el instructivo de uso que le acompaña.
- C) Cuando el producto hubiese sido alterado o reparado por personas no autorizadas por Spectrum Brands de México, SA de CV.

Nota: Usted podrá encontrar partes, componentes, consumibles y accesorios en los centros de servicios autorizados. Esta garantía incluyen los gastos de transportación que se deriven de sus cumplimiento dentro de sus red de servicio.

¿NECESITA AYUDA?

Para servicio, reparaciones o preguntas relacionadas al producto, por favor llame al número del centro de servicio que se indica para el país donde usted compró su producto. **NO** devuelva el producto al fabricante. Llame o lleve el producto a un centro de servicio autorizado.

DOS AÑOS DE GARANTÍA LIMITADA (No aplica en México, Estados Unidos y Canada)

¿Qué cubre la garantía?

- La garantía cubre cualquier defecto de materiales o de mano de obra que no haya sido generado por el uso incorrecto del producto.

¿Por cuánto tiempo es válida la garantía?

- Por dos años a partir de la fecha original de compra mientras que tenga una prueba de la compra.

¿Cómo se obtiene el servicio necesario?

- Conserve el recibo original como comprobante de la fecha de compra, comuníquese con el centro de servicio de su país y haga efectiva su garantía si cumple lo indicado en el manual de instrucciones.

¿Cómo se puede obtener servicio?

- Conserve el recibo original de compra.
- Por favor llame al número del centro de servicio autorizado.

¿Qué aspectos no cubre esta garantía?

- Los productos que han sido utilizados en condiciones distintas a las normales.
- Los daños ocasionados por el mal uso, el abuso o negligencia.
- Los productos que han sido alterados de alguna manera.
- Los daños ocasionados por el uso comercial del producto.
- Los productos utilizados o reparados fuera del país original de compra.
- Las piezas de vidrio y demás accesorios empacados con el aparato.
- Los gastos de tramitación y embarque asociados al reemplazo del producto.
- Los daños y perjuicios indirectos o incidentales.

¿Qué relación tiene la ley estatal con esta garantía?

- Esta garantía le otorga derechos legales específicos y el consumidor podría tener otros derechos que varían de una región a otra.

Por favor llame al número correspondiente que aparece en la lista a continuación para solicitar que se haga efectiva la garantía y donde Ud. puede solicitar servicio, reparaciones o partes en el país donde el producto fué comprado.

Argentina

Atención al consumidor
0800 444 7296
Horario de atención:
Lunes a viernes de 9 a 13 hs
y de 14.30 a 17 hs.
email: servicios@spectrumbrands.com
Humboldt 2495 piso 3
C.A.B.A. - Argentina

Chile

SERVICIO DE MAQUINAS Y
HERRAMIENTAS LTDA.
Portugal N° 644
Santiago - Chile
Fonos: 02-6355208 / 02-6341169
Email: servicio@spectrumbrands.cl
Call center: 800-171-051

Colombia

Rayovac Varta S.A
Carrera 17 Número 89-40
Línea gratuita nacional
018000510012

Costa Rica

Aplicaciones Electromecánicas
Calle 22 y 24 en Avenida 3 BLV de la torre
Mercedes Benz
200 mts norte y 50 mts este
San José, Costa Rica
Tel. (506) 2257-5716

Ecuador

Servicio Master
Dirección: Capitán Rafael
Ramos OE 1-85 y Galo plaza lasso.
Tel (593) 2281-3882 / 2240-9870

El Salvador

Sedeblack
Calle San Antonio Abad, Colonia Lisboa
No 2936
San Salvador, Depto. de San Salvador
Tel. (503) 2284-8374

Guatemala

Kinal
17 avenida 26-75, zona 11 Centro
comercial Novicentro,
Local 37 - Ciudad
Guatemala
Tel. (502)-2476-7367

Honduras

Serviteca
San Pedro Sula, B Los Andes, 2 calle-
entre 11-12 Avenida
Honduras
Tel. (504) 2550-1074

México

Artículo 123 # 95 Local 109 y 112
Col. Centro, Cuauhtemoc,
México, D.F.
Tel. 01 800 714 2503

Nicaragua

LRM ELECTRONICA
Managua - Sinsa Altamira 1.5
kilómetros al norte
Nicaragua
Tel. (505) 2270-2684

Panamá

Supermarcas
Centro comercial El dorado, Plaza
Dorado, Local 2.
Panama
Tel. (507) 392-6231

Perú

Servicio Central Fast Service
Av. Angamos Este 2431
San Borja, Lima Perú
Tel. (511) 2251 388

Puerto Rico

Buckeye Service
Jesús P. Piñero #1013
Puerto Nuevo, SJ PR 00920
Tel.: (787) 782-6175

Republica Dominicana

Prolongación Av. Rómulo
Betancourt
Zona Industrial de Herrera
Santo Domingo, República
Dominicana
Tel.: (809) 530-5409

Venezuela

Inversiones BDR CA
Av. Casanova C.C.
City Market Nivel Plaza Local 153
Diagonal Hotel Melia,
Caracas.
Tel. (582) 324-0969

Veuillez lire et conserver ce guide d'entretien et d'utilisation.

IMPORTANTES CONSIGNES DE SÉCURITÉ.

Lorsque vous utilisez des appareils électriques, des précautions de base doivent toujours être observées, y compris ce qui suit :

- Lire toutes les instructions.
- Ne pas toucher les surfaces chaudes. Utiliser les poignées ou les boutons.
- Pour protéger contre les risques de secousse électrique, ne pas plonger le cordon, la fiche ou le socle électrique du gril/gaufrier dans l'eau ou dans un autre liquide.
- Il est nécessaire de surveiller de près l'utilisation de cet appareil par ou à proximité d'enfants.
- Débrancher l'appareil lorsqu'on ne s'en sert pas et avant de le nettoyer.
- Laisser refroidir avant de nettoyer.
- Ne pas utiliser un appareil dont la fiche ou le cordon est abîmé, qui présente un problème de fonctionnement, qui est tombé ou qui est endommagé. Le rapporter au centre de service autorisé le plus proche pour le faire examiner, réparer ou régler. On peut aussi appeler le numéro sans frais indiqué sur la couverture de ce manuel.
- L'utilisation d'accessoires non recommandés par le fabricant de l'appareil peut causer un sinistre, une secousse électrique ou des blessures.
- Pour débrancher, régler le bouton de commande à la position OFF, puis retirer la fiche de la prise de courant. Ne pas tirer sur le cordon.
- Ne pas utiliser à l'extérieur.
- Ne pas laisser pendre le cordon d'une table ou d'un comptoir ou toucher des surfaces chaudes comme le four.
- Ne pas placer près d'une plaque électrique chaude, d'un brûleur allumé ou dans un four chaud.
- Il faut être extrêmement prudent en déplaçant un appareil contenant de l'huile chaude ou un autre liquide chaud.
- N'utiliser cet appareil que pour les usages prévus.

CONSERVER CES MESURES.

L'appareil est conçu pour une utilisation domestique.

FICHE MISE À LA TERRE

Par mesure de sécurité, le produit comporte une fiche mise à la terre qui n'entre que dans une prise à trois trous. Il ne faut pas neutraliser ce dispositif de sécurité. La mauvaise connexion du conducteur de terre présente des risques de secousses électriques. Communiquer avec un électricien certifié lorsqu'on se demande si la prise est bien mise à la terre.

VIS INDESSERRABLE

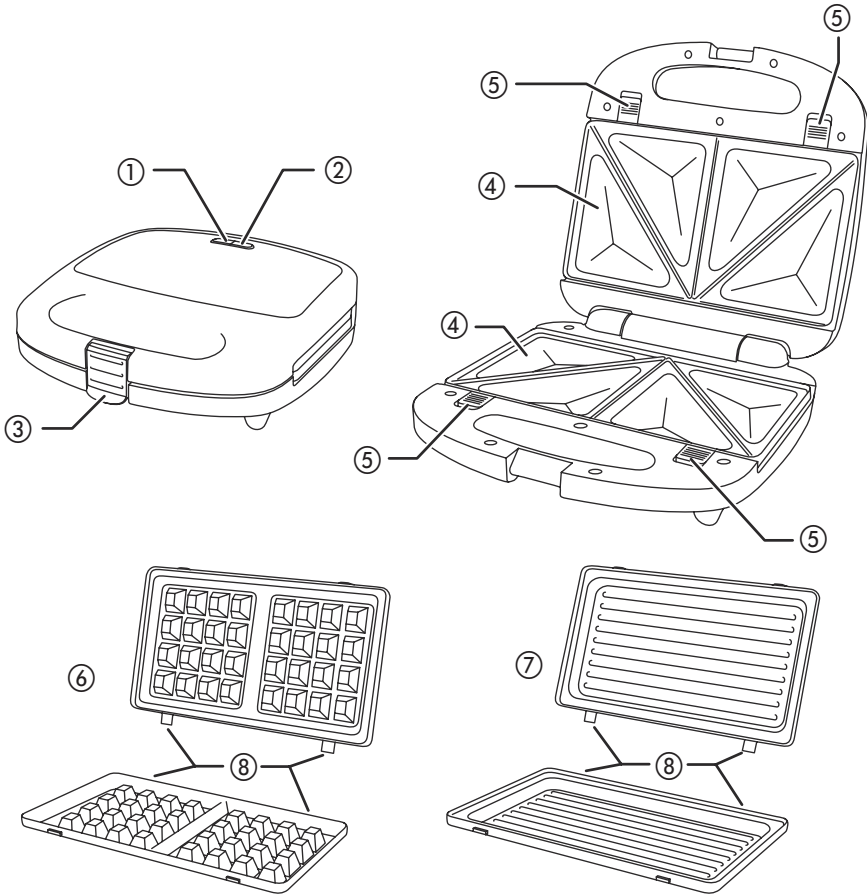
AVERTISSEMENT : L'appareil est doté d'une vis indesserrable empêchant l'enlèvement du couvercle extérieur. Pour réduire les risques d'incendie ou de secousses électriques, ne pas tenter de retirer le couvercle extérieur. L'utilisateur ne peut pas remplacer les pièces de l'appareil. En confier la réparation seulement au personnel des centres de service autorisés.

CORDON D'ALIMENTATION

- a) Un cordon d'alimentation court est fourni pour éviter qu'un cordon long s'emmêle ou fasse trébucher.
- b) Des rallonges électriques sont disponibles et peuvent être utilisées avec prudence.
- c) En cas d'utilisation d'une rallonge :
 - 1) Le calibre indiqué de la rallonge doit être au moins aussi élevé que celui de l'appareil,
 - 2) si l'appareil est mis à la terre, la rallonge doit être de type mise à la terre avec 3 broches; et
 - 3) le cordon électrique doit être disposé de façon à ce qu'il ne pende pas du comptoir ou de la table, qu'il ne soit pas à la portée des enfants et qu'il ne fasse pas trébucher.

Remarque : Si le cordon d'alimentation est endommagé, veuillez communiquer avec le Service de la garantie dont les coordonnées figurent dans les présentes instructions.

FAMILIARISATION AVEC VOTRE GAUFRIER, GRIL ET GRILLE-SANDWICH 3 EN 1



1. Témoin d'alimentation (rouge)
2. Témoin de température (vert)
3. Loquet (pièce no WM2000-04)
4. Plaques à sandwichs (pièce no WM2000-01)
5. Boutons de dégagement
6. Plaques à gaufres (pièce no WM2000-02)
7. Plaques nervurées (pièce no WM2000-03)
8. Languettes

Le produit peut différer légèrement de celui qui est illustré.

UTILISATION

Cet appareil est conçu pour un usage domestique seulement.

POUR COMMENCER

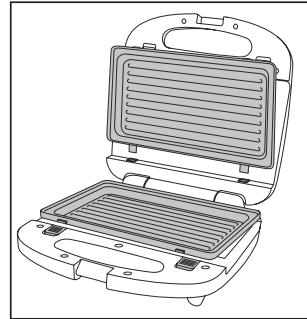
- Retirer tous les matériaux d'emballage, toutes les étiquettes et la bande de plastique entourant la fiche.
- Retirer et conserver la documentation.
- Visiter le www.prodprotect.com/blackanddecker pour enregistrer la garantie.
- Avant la première utilisation, nettoyer l'appareil et les plaques en suivant les directives de la section ENTRETIEN ET NETTOYAGE du présent guide.

FIXATION DES PLAQUES

Important : Ne jamais allumer cet appareil sans que les deux plaques de cuisson soient bien fixées.

Mise en garde : Fixer les plaques lorsque l'appareil est froid.

1. To attach the top plate, insert the longer tabs into the slots closest to the hinge. Press down gently until the plate snaps into place.
2. Fixer solidement la plaque inférieure selon la méthode décrite à l'étape 1.



PRÉPARATION

Remarque : Éviter l'emploi d'aérosol de cuisson sur les plaques.

1. Placer l'appareil sur une surface stable, de niveau et résistante à la chaleur.
2. Fermer le couvercle et brancher le cordon dans la prise de courant.
3. Le témoin d'alimentation rouge est allumé tant que l'appareil est branché à l'alimentation électrique.
4. Le témoin de température vert est allumé lorsque les éléments atteignent la bonne température de cuisson, puis s'allume et s'éteint selon la température du thermostat.
5. Attendre que le témoin de température vert s'allume avant de commencer à cuisiner.

CROQUE-MONSIEUR (plaques à sandwiches)

MISE EN GARDE : Ne pas utiliser de viande crue de quelque type que ce soit dans l'appareil. Toutes les garnitures doivent être sûres et prêtes à consommer avant la cuisson.

1. Couper 4 tranches de pain de façon à ce qu'elles dépassent des plaques d'environ 0,5 cm (1/4 pouce) de chaque côté. Le pain fraîchement coupé est le meilleur.
2. Étendre une mince couche de beurre/margarine sur chaque tranche. Ne pas utiliser de tartinades faibles en gras. Les tartinades faibles en gras peuvent brûler et ainsi endommager les surfaces antiadhésives.

3. Dans un croque-monsieur, le côté beurré est à l'extérieur. Placer 2 tranches de pain, côté beurré vers le bas, sur la plaque de grillage inférieure.
4. Appuyer doucement le pain contre les creux de la plaque de grillage à l'aide d'une cuillère en bois.
5. Remplir les creux formés dans le pain avec 10 ml (deux cuillères à thé rases) de garniture par croque-monsieur. Mettre plus de garniture risque de la faire déborder.
6. Poser une tranche de pain, côté beurré vers le haut, sur chacune des tranches garnies.
7. Fermer le couvercle, serrer les poignées ensemble et enclencher le loquet.
8. Cuire de 4 à 5 minutes, ou jusqu'à ce que l'extérieur du pain soit bien doré.
9. Si le croque-monsieur colle, utiliser une spatule en plastique ou en bois pour le décoller.

Idées de garnitures savoureuses

Jambon et fromage

Poulet (cuit) et champignons

Jambon fumé et gouda

Bacon (cuit) et tomates

Fromage et oignons/céleri/pommes

Beurre d'arachide, basilic et tomates

Idées de garnitures sucrées

Pommes et cannelle

Bananes et sauce au caramel

Pommes et framboises

écossais

Bananes et miel

Cerises et amandes

Beurre d'arachide et confiture

Variantes

Utiliser des pâtisseries, une pâte à pizza ou du pain ciabatta au lieu du pain ordinaire; essayer du beurre à l'ail ou aux herbes.

GRILLAGE (plaques nervurées)

1. Couper les aliments à griller à une épaisseur maximale de 10 mm (3/8 po).
2. Frotter un peu d'huile de cuisson ou de beurre sur les plaques de grillage. Ne pas utiliser de tartinades faibles en gras – elles peuvent brûler sur le gril.
3. Placer les aliments sur la plaque de grillage inférieure au moyen d'une spatule ou de pinces. Ne jamais se servir de ses doigts. Ne pas utiliser d'outils en métal ou tranchants, cela risquerait d'endommager les surfaces antiadhésives.
4. Fermer le gril. Ne pas utiliser le loquet.
5. Laisser les aliments cuire et vérifier la cuisson au bout de 5 minutes. Laisser les aliments sur la plaque jusqu'à ce qu'ils soient cuits. Le temps de cuisson variera selon le type d'aliments.

Remarque : Pour s'assurer que la viande est entièrement cuite, le département de l'Agriculture des États-Unis (« USDA ») recommande d'insérer un thermomètre à viande dans le centre de la viande. S'assurer qu'il ne touche pas aux os, aux graisses ou aux nerfs.

La température interne minimale adéquate pour le bœuf, le veau, le porc et l'agneau (pièces ou morceaux entiers) est de 63 °C (145 °F). Ensuite, laisser reposer la viande pendant trois minutes avant de la couper ou de la consommer.

La viande hachée doit être cuite à 72 °C (160 °F). La volaille doit être cuite à 74 °C (165 °F). La viande hachée et la volaille ne nécessitent pas de temps de repos.

GAUFRES (plaques à gaufres)

1. Préparer la pâte.
2. Verser environ 45 ml (3 c. à table) de mélange sur chaque moitié de la plaque inférieure.
3. Fermer le gril. Ne pas utiliser le loquet.
4. Faire griller les gaufres jusqu'à ce qu'elles soient bien dorées (vérifier après 3 minutes).

ENTRETIEN ET NETTOYAGE

Cet appareil ne contient aucune pièce réparable par l'utilisateur. Confier la réparation à un technicien qualifié.

1. Débrancher l'appareil et le laisser refroidir avant de le nettoyer et de le ranger.
2. Laver les plaques à l'eau tiède savonneuse ou au lave-vaisselle. Bien sécher.
3. Essuyer l'extérieur de l'appareil à l'aide d'une éponge humide tiède. Sécher à l'aide d'un linge sec doux.
 - Ne pas immerger l'appareil dans l'eau ou dans un autre liquide.
 - Ne pas utiliser de produits de nettoyage corrosifs ou abrasifs ni de solvants.
 - Ne pas utiliser de tampons à recurer, de laine d'acier ou de tampons d'acier savonneux.

Aux endroits où les plaques de grillage supérieure et inférieure se touchent, les surfaces antiadhésives peuvent présenter des signes d'usure. Ceci est purement esthétique et n'aura aucun effet sur le fonctionnement de l'appareil.

RECETTES

Sandwich matinal chaud au jambon et au fromage

Le meilleur déjeuner : le traditionnel sandwich chaud au jambon et au fromage rehaussé d'œufs brouillés et d'une sauce Dijon piquante.

Temps de préparation : 15 minutes

Portions : 4

Temps de cuisson : 30 minutes

Quantité : 1 sandwich

Temps total : 45 minutes

Ingrédients :

15 ml (1 c. à table) de beurre

5 ml (1 c. à thé) d'ail émincé

4 œufs battus

1,25 ml (1/4 c. à thé) de sel

45 ml (3 c. à table) de moutarde
de Dijon

1,25 ml (1/4 c. à thé) de poivre

30 ml (2 c. à table) de miel

8 tranches de jambon

15 ml (1 c. à table) de sauce

4 tranches de cheddar fort

Worcestershire

4 croissants, coupés en deux

Directives :

1. Insérer les plaques à sandwichs dans la grille-sandwich et le préchauffer.
2. Dans une grande poêle à frire, faire fondre le beurre à feu moyen. Ajouter les œufs et les brouiller jusqu'à ce qu'ils soient cuits, soit environ de 2 à 3 minutes. Retirer du feu et réserver.
3. Dans un petit bol, mélanger la moutarde, le miel, la sauce Worcestershire, l'ail, le sel et le poivre.
4. Étendre la sauce de moutarde au miel sur les côtés coupés des croissants. Sur les moitiés inférieures des croissants, disposer en étages les œufs brouillés et le jambon. Ajouter le fromage, puis placer les moitiés de croissant restantes sur chaque sandwich.
5. Placer un sandwich sur les plaques à sandwichs préchauffées et fermer le couvercle.
6. Cuire de 7 à 8 minutes jusqu'à ce que le fromage soit fondu et que le croissant soit croustillant. Recommencer avec les sandwichs restants.
7. Accompagner le tout de fruits et de jus d'orange ou de café.

Pain de maïs à l'érable et au bacon

La combinaison du goût sucré du sirop d'érable et du goût salé du bacon est parfaite pour les gourmands.

Temps de préparation : 5 minutes

Portions : 8

Temps de cuisson : 25 minutes

Quantité : 1 morceau de pain

Temps total : 30 minutes

de maïs

Ingrédients :

1 boîte (250 g/8,5 oz) de
préparation pour muffins de maïs

45 ml (3 c. à table) de sirop d'érable pur

1 œuf

5 ml (1 c. à thé) d'extrait d'érable

80 ml (1/3 tasse) de lait

4 tranches de bacon cuit, en miettes

Directives :

1. Insérer les plaques chauffantes dans le grille-sandwich et le préchauffer.
2. Dans un grand bol, mélanger la préparation pour muffins de maïs, les œufs et le lait. Ajouter le sirop d'érable et l'extrait d'érable et remuer pour mélanger. Incorporer les miettes de bacon.
3. Graisser les plaques chauffantes préchauffées avec un aérosol de cuisson et déposer 30 ml (2 c. à table) de mélange au centre des plaques. (Il s'étendra pendant la cuisson.)
4. Fermer le couvercle et faire cuire de 11 à 13 minutes jusqu'à ce que le pain de maïs soit bien doré. Recommencer avec le reste du mélange.
5. Servir avec votre recette de chili préférée.

Gaufre-pizza pour petit-déjeuner

Pizza pour petit-déjeuner : une pizza au petit-déjeuner encore meilleure grâce à l'ajout de galettes de pommes de terre rissolées parfaitement croustillantes.

Temps de préparation : 5 minutes
Temps de cuisson : 40 minutes
Temps total : 45 minutes

Portions : 5
Quantité : 1 gaufre

Ingrédients de la gaufre :

125 ml (1/2 tasse - 1 bloc) de beurre fondu	2,5 ml (1/2 c. à thé) de sel
1 l (4 tasses) de galettes de pommes de terre congelées, non décongelées*	2,5 ml (1/2 c. à thé) de poivre
2 œufs battus	10 ml (2 c. à thé) d'épices à pizza
60 ml (1/4 tasse) de farine	125 ml (1/2 tasse) de saucisse de dinde cuite en morceaux
2,5 ml (1/2 c. à thé) de poudre à pâte	125 ml (1/2 tasse) de fromage à pizza râpé en filaments

* Astuce : Garder les galettes de pommes de terre froides permettra d'éviter qu'elles collent dans le gaufrier.

Directives :

1. Insérer les plaques à gaufres dans le grille-sandwich et le préchauffer.
2. Dans un grand bol, mélanger le beurre fondu, les galettes de pommes de terre et les œufs jusqu'à ce que les galettes de pommes de terre soient bien enduites.
3. Ajouter les ingrédients restants et remuer pour mélanger.
4. Graisser les plaques à gaufres préchauffées avec un aérosol de cuisson et déposer 125 ml (1/2 tasse) de pâte au centre de chaque section de gaufre.
5. Fermer le couvercle et faire cuire de 12 à 14 minutes jusqu'à ce que les gaufres soient bien dorées. Recommencer avec le reste du mélange.
6. Servir avec de la sauce à pizza comme trempette.

Gaufre Snickerdoodle

Un classique, gaufré : la cannelle et le sucre d'un biscuit Snickerdoodle transformé en gaufre, parfait pour un matin amusant avec les enfants.

Temps de préparation : 15 minutes

Portions : 6

Temps de cuisson : 40 minutes

Quantité : 1 gaufre

Temps total : 55 minutes

Ingrédients de la gaufre :

125 ml (1/2 tasse - 1 bloc) de beurre, ramolli

355 ml (1 1/2 tasse) de farine

5 ml (1 c. à thé) de poudre à pâte

180 ml (3/4 tasse) de sucre granulé

7,5 ml (1 1/2 c. à thé) de crème de tartre

125 ml (1/2 tasse) de cassonade pâle tassée

10 ml (2 c. à thé) de cannelle

2 œufs

1,25 ml (1/4 c. à thé) de sel

5 ml (1 c. à thé) de vanille

125 ml (1/2 tasse) de lait entier

Ingrédients pour le sucre à la cannelle :

3 Tbsp. granulated sugar

2 tsp. cinnamon

Directives :

1. Insérer les plaques à gaufres dans le grille-sandwich et le préchauffer.
2. Dans un grand bol, battre le beurre en crème. Ajouter les sucres et mélanger jusqu'à ce que la préparation soit homogène.
3. Ajouter les œufs et la vanille et bien mélanger.
4. Dans un bol moyen, mélanger la farine, la poudre à pâte, la crème de tartre, la cannelle et le sel au moyen d'un fouet.
5. Ajouter la moitié du mélange sec au mélange humide et remuer pour mélanger. Verser la moitié du lait et remuer pour mélanger. Recommencer avec le mélange sec et le lait restants.
6. Dans un petit bol, mélanger les ingrédients du sucre à la cannelle.
7. Graisser les plaques à gaufres préchauffées avec un aérosol de cuisson et déposer 80 ml (1/3 tasse) de pâte au centre de chaque section de gaufre.
8. Saupoudrer 5 ml (1 c. à thé) du mélange de sucre à la cannelle et fermer le couvercle.
9. Cuire de 12 à 13 minutes jusqu'à ce que les gaufres soient bien dorées.
10. Arroser de sirop d'érable, si désiré, et servir chaud.

INFORMATION SUR LA GARANTIE ET LE SERVICE À LA CLIENTÈLE

Pour faire entretenir ou réparer l'appareil, ou pour toute question concernant votre appareil, composer le numéro 1 800 pertinent qui figure dans cette section. Prière de **NE PAS** retourner l'appareil à l'endroit où il a été acheté. De plus, prière de **NE PAS** envoyer l'appareil par la poste au fabricant, ni l'apporter à un centre de service. Vous pouvez aussi consulter le site Web indiqué sur la page couverture du présent guide.

Garantie limitée de deux ans (Valable seulement au Canada et aux États-Unis)

Que couvre la garantie?

- La garantie couvre tout défaut de matériaux et de fabrication; toutefois, la responsabilité de Spectrum Brands Inc. ne dépassera pas le prix d'achat du produit.

Quelle est la période de garantie?

- Deux ans à compter de la date d'achat originale, preuve d'achat à l'appui.

Quelle aide offrons nous?

- Remplacement par un produit raisonnablement semblable nouveau ou réusiné.

Que ferons-nous pour vous aider?

- Conserver votre reçu comme preuve d'achat.
- Visiter notre site Web de service en ligne au www.prodprotect.com/blackanddecker, ou appeler à notre numéro sans frais, 1 800 465-6070, pour obtenir du service général sous garantie.
- Si vous avez besoin de pièces ou d'accessoires, veuillez appeler au 1 800 738-0245.

Qu'est-ce qui n'est pas couvert par la garantie?

- Les dommages attribuables à l'usage commercial.
- Les dommages attribuables à une mauvaise utilisation, à l'abus ou à la négligence.
- Les appareils qui ont été modifiés de quelque façon que ce soit.
- Les produits utilisés ou réparés à l'extérieur du pays d'achat.
- Les pièces en verre et les accessoires qui sont emballés avec l'appareil.
- Les coûts de manutention et d'expédition liés au remplacement de l'appareil.
- Les dommages indirects ou accessoires (il est toutefois à noter que certains États interdisent l'exclusion ou la limitation des dommages indirects ou accessoires, de sorte que cette restriction pourrait ne pas s'appliquer à vous).

Que stipule la législation d'État relativement à cette garantie?

- Cette garantie vous confère des droits spécifiques. Vous pourriez aussi avoir d'autres droits, qui peuvent varier selon l'État et la province.

BLACK+DECKER

TM

700 W 120V~ 60 Hz

Sello del Distribuidor:

Fecha de compra:

Modelo:

Código de fecha / Date Code / Le code de date:

Comercializado por:

Spectrum Brands de México, SA de C.V
Autopista México Querétaro No 3069-
C Oficina 004 Col. Centro Industrial
Tlalnepantla CP 54030 Tlalnepantla,
Estado de México Teléfono:
01-800-714-2503

Servicio y Reparación

Art. 123 No. 95

Col. Centro, C.P. 06050

Deleg. Cuauhtemoc

Servicio al Consumidor,

Venta de Refacciones

y Accesorios

01 800 714 2503

Importado y Distribuido por :

RAYOVAC ARGENTINA S.R.L. Humboldt

2495 Piso# 3 C1425FUG) C.A.B.A.

Argentina C.U.I.T NO. 30-70706168-1

Importado por / Imported by:

Spectrum Brands de México, SA de C.V
Autopista México Querétaro No 3069-
C Oficina 004 Col. Centro Industrial
Tlalnepantla CP 54030 Tlalnepantla,
Estado de México

Para atención de garantía marque:

01 (800) 714 2503

Importado por / Imported by:

Spectrum Brands En Chile,
Household Products Chile Ltda
Av. Del Valle 570, Ofic. 704
Ciudad Empresarial, Huechuraba
Santiago - Chile
Fono: (562) 2571 3700

Importado por / Imported by:

Spectrum Brands Colombia S.A.
Carrera 17 No.89-40
Bogotá, Colombia
Línea de atención al cliente:
018000510012

BLACK+DECKER and the BLACK+DECKER logos and product names are trademarks of The Black & Decker Corporation, used under license. All rights reserved.

BLACK+DECKER y los logos y nombres de productos de BLACK+DECKER son marcas registradas de The Black & Decker Corporation, usados bajo licencia. Todos los derechos reservados.

BLACK+DECKER et les logos et noms de produits BLACK+DECKER sont des marques de commerce de The Black & Decker Corporation, utilisées sous licence. Tous droits réservés.

All other marks are Trademarks of Spectrum Brands, Inc.

Todas la demás marcas son Marcas Registradas de Spectrum Brands, Inc.

Toutes les autres marques sont des marques de commerce de Spectrum Brands, Inc.

Made in China.

Fabricado en China.

Fabriqué en Chine.

T22-5004083

© 2017 The Black & Decker Corporation and Spectrum Brands, Inc., Middleton, WI 53562

21009