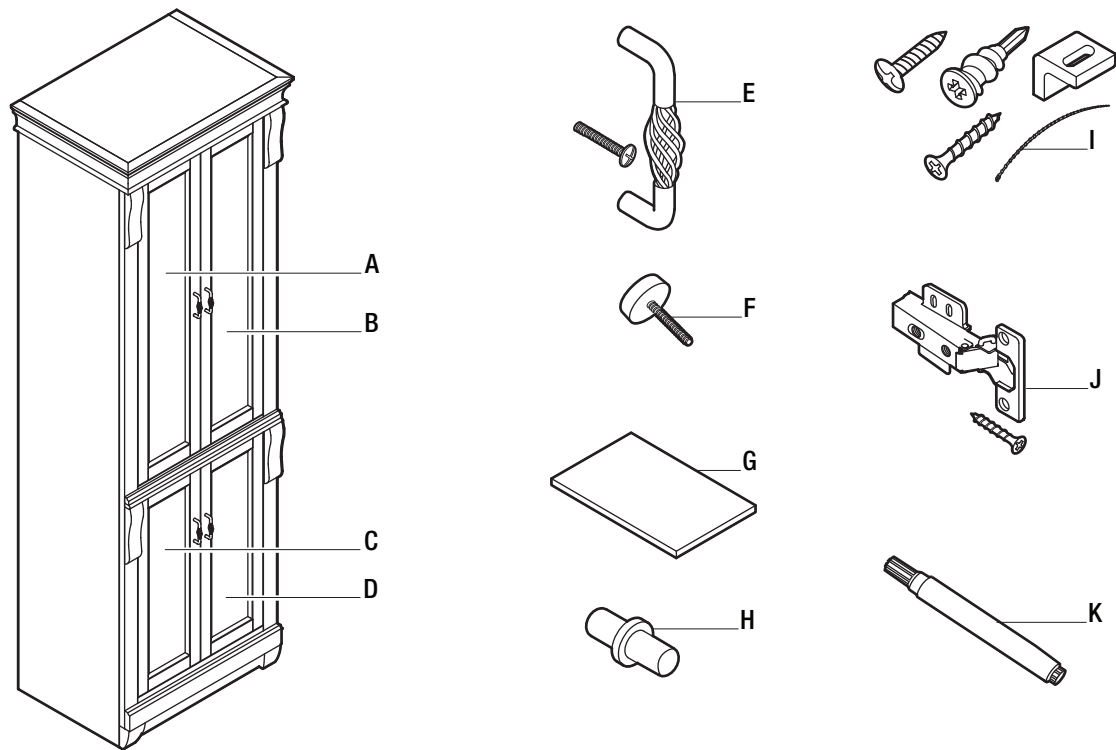


REPLACEMENT PARTS LIST

NAPLES LINEN CABINET



Please use the table below to identify the part number needed, and call FGI Industries, Ltd. Customer Service for your replacement at **888-620-3667**. Our team is available to assist you Monday - Friday, 7:00 A.M. - 5:00 P.M. (CST).

Part	Description	Part #
A	Upper Left Door	PB-NADGL2474-ULD
B	Upper Right Door	PB-NADGL2474-URD
C	Lower Left Door	PB-NADGL2474-LLD
D	Lower Right Door	PB-NADGL2474-LRD
E	Door Handle (1 handle; 2 screws)	PB-HANDLE-LS015
F	Foot Cap	PB-FOOTCAP-JD008
G	Shelf	PB-NADGL2474-IS
H	Shelf Pin	PB-SHELFPIN-CT001
I	Anti-Tip Hardware Kit (anchor, short screw, long screw, bracket, tie)	PB-FD001-ANTI-TILT
J	Slow Close Hinge (1 hinge; 6 screws)	PB-SC HINGE-HY006
K	Touch Up Pen	PB-TUKIT027