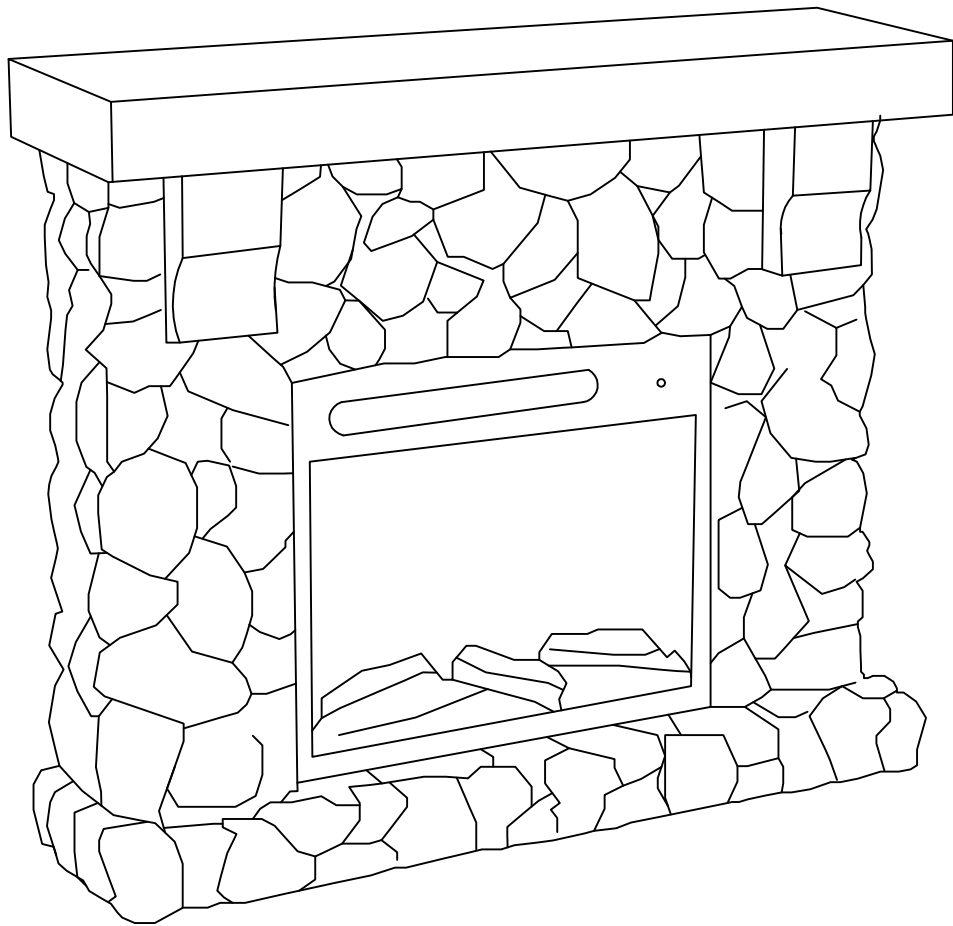


Assembly Instructions



SAFETY INFORMATION

INFORMATION DE SÉCURITÉ

INFORMACIÓN DE SEGURIDAD



Please read and understand this entire manual before attempting to assemble, operate or install the product.



WARNING

- Some steps are more easily handled with two adults.

CAUTION

- Before assembly and/or installation, carefully unwrap all parts.
- Locate and set aside the hardware kit before discarding packaging.
- Use care when assembling your new product. Take your time and follow the assembly instructions closely.



Assurez-vous de lire et de comprendre l'intégralité du présent manuel avant de tenter d'assembler, d'utiliser ou d'installer le produit.



AVERTISSEMENT

- Certaines étapes sont plus faciles à effectuer avec l'aide

MISE EN GARDE

- Avant l'assemblage et/ou l'installation, vous devez déballer minutieusement toutes les pièces.
- Localisez et mettez de côté le jeu de quincaillerie avant de jeter l'emballage.
- Soyez vigilant lorsque vous assemblez le nouveau produit. Prenez votre temps et suivez attentivement ces instructions.



Lea y comprenda completamente este manual antes de intentar ensamblar, usar o instalar el producto.



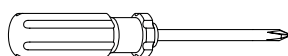
ADVERTENCIA

- Algunos de los pasos se pueden realizar con mayor facilidad entre dos adultos.

PRECAUCIÓN

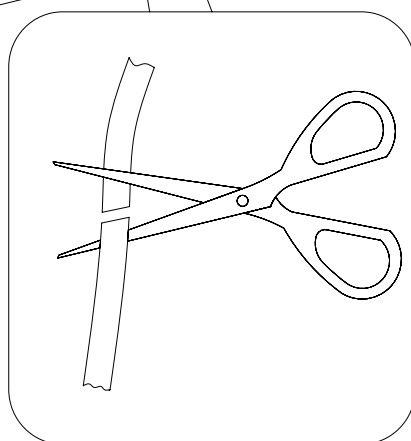
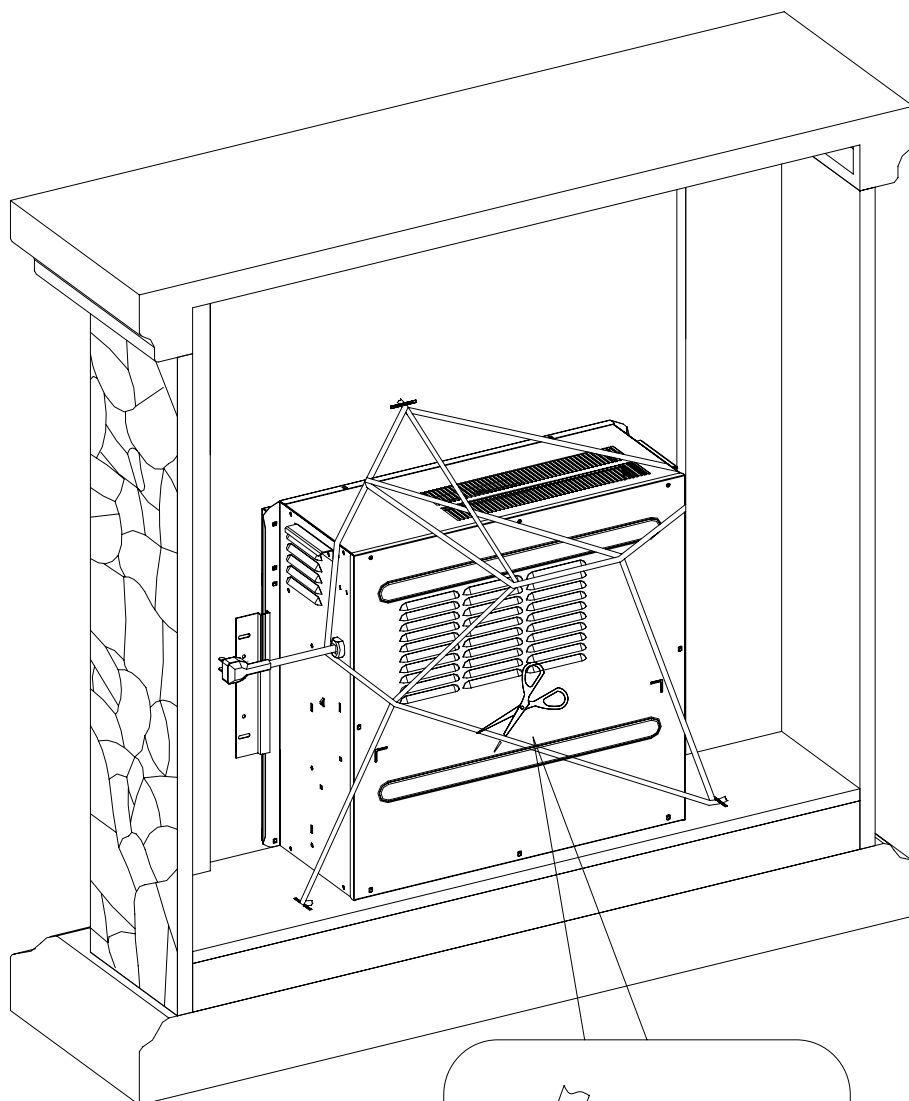
- Antes del ensamblaje y/o instalación, desenvuelva cuidadosamente todas las piezas.
- Localice y separe el equipo de accesorios antes de desechar el embalaje.
- Tenga cuidado al ensamblar el nuevo producto. Tómese su tiempo y siga detenidamente las instrucciones de ensamblaje.

TOOLS REQUIRED OUTILS NÉCESSAIRES HERRAMIENTAS NECESARIAS



(NOT INCLUDED)
(PAS INCLUS)
(NO INCLUIDAS)

1



CARE / MAINTENANCE

Care and Maintenance

- Use a soft, clean cloth that will not scratch the surface when dusting.
- Using solvents of any kind on your furniture may damage the finish.
- Never use water to clean your furniture as it may cause damage to the finish.
- Always use coasters under beverage glasses and flowerpots.
- Liquid spills should be removed immediately, as it may damage the furniture. Use a soft, clean cloth and blot the spill gently. Avoid rubbing.
- Always use protective pads under hot dishes and plates. Heat can cause chemical changes that may create spotting within the furniture.

Further advice about wood furniture care

It is best to keep your furniture in a climate-controlled environment. Temperature and humidity changes can cause fading, warping, shrinking and splitting of wood. It is advised to keep furniture away from direct sunlight as sun may damage the finish. Proper care and cleaning at home will extend the life of your purchase.

We hope you enjoy your purchase for many years. Thank you for your purchase!

SOIN / ENTRETIEN

Soin / Entretien

- Lors de l'époussetage, utilisez un chiffon doux et propre qui n'égratigne pas la surface.
- L'utilisation de solvant de quelque sorte sur votre ameublement peut endommager le fini.
- Ne jamais utiliser d'eau pour nettoyer votre ameublement car cela peut endommager le fini.
- Utilisez toujours des dessous de verre sous les verres/tasses des breuvages et sous les pots à fleur.
- Tout déversement de liquide doit être enlevé immédiatement car cela peut endommager l'ameublement. Utilisez un chiffon doux et propre et éponger délicatement le déversement. Évitez de frotter.
- Utilisez toujours des tampons protecteurs sous les plats et les assiettes chaudes. La chaleur peut causer des changements chimiques qui peuvent créer des taches sur l'ameublement.

Conseils supplémentaires pour l'entretien de meubles en bois

Il est préférable de garder vos meubles dans un environnement climatisé. Les changements de température et d'humidité peuvent décolorer, déformer, rétracter et fendiller le bois. Il est conseillé de garder les meubles à l'abri de la lumière directe du soleil car cela pourrait endommager le fini. L'entretien et le nettoyage appropriés à domicile prolongeront la vie de votre achat.

Nous espérons que vous apprécierez votre achat pendant de nombreuses années. Nous vous remercions pour votre achat!

CUIDADO / MANTENIMIENTO

Cuidado / Mantenimiento

- Use un paño suave y limpio que no raye la superficie cuando elimine el polvo.
- Usar solventes de cualquier clase en sus muebles puede dañar el acabado.
- Nunca utilice agua para limpiar sus muebles, ya que puede causar daños en el acabado.
- Siempre utilice posavasos para colocar los vasos de bebidas y las macetas.
- Los derrames de líquidos se deben recoger inmediatamente, ya que pueden dañar el mueble. Use un paño suave y limpio y seque el derrame con cuidado. Evite frotar.
- Siempre utilice almohadillas protectoras debajo de los platos y vajillas calientes. El calor puede causar cambios químicos los cuales pueden crear manchas en los muebles.

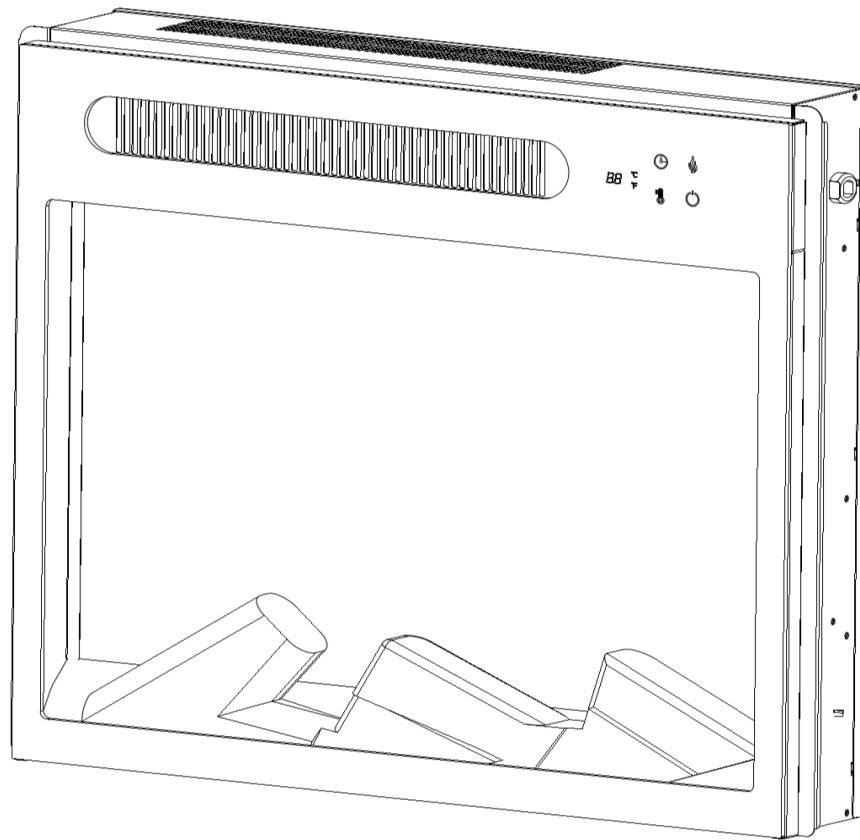
Consejos adicionales sobre el cuidado de los muebles de madera

Lo mejor es mantener sus muebles en un ambiente con clima controlado. Los cambios de temperatura y humedad pueden hacer que la madera se decolore, se combe, se encoja y se parta. Se aconseja mantener los muebles alejados de la luz solar directa, ya que esta puede dañar el acabado. El cuidado y la limpieza adecuados en casa extenderán la vida útil de su compra.

Esperamos que disfrute de su compra durante muchos años. ¡Gracias por su compra!

User Manual

Model : F18-17LT/F23-17LT



IMPORTANT SAFETY INSTRUCTIONS

IMPORTANT NOTICE Please keep this user's guide for future reference.

When using electric appliances, basic precautions should always be followed to reduce the risk of fire, electric shock, and injury to persons, including the following:

1. Read all instructions before using this appliance.
2. The heater is hot when in use. To avoid burns, do not let bare skin touch hot surfaces. The trim around the heater outlet becomes hot during heater operation. **Keep combustible materials, such as furniture, pillows, bedding, papers, clothes, and curtains at least 3 feet (0.9m) from the front, sides and rear of the unit.**
3. Extreme caution is necessary when any heater is used by or near children or persons with disabilities and whenever the unit is left operating and unattended.
4. Always unplug the electric heater when not in use.
5. Do not operate any unit with a damaged cord or plug, or if the heater has malfunctioned, or if the electric heater has been dropped or damaged in any manner. Return heater to authorized service facility for examination, electrical or mechanical adjustment, or repair.
6. Do not use outdoors.
7. The electric heater is not intended for use in bathrooms, laundry areas and similar indoor locations. Never locate heater where it may fall into a bathtub or other water container.
8. Do not run the cord under carpeting, furniture, or appliances. Do not cover cord with throw rugs, runners, or the like. Arrange cord away from high traffic areas, where it will not be tripped over.
9. To disconnect the unit, turn the firebox off, and then remove the plug from the outlet.
10. Connect to properly grounded outlets only.
11. Do not insert or allow foreign objects to enter any ventilation or exhaust opening as this may cause an electric shock, fire, or damage to the heater.
12. To prevent a possible fire, do not block air intake or exhaust in any manner. Do not use on soft surfaces, like a bed, where openings may become blocked.
13. All electrical heaters have hot, arcing or sparking parts inside. Do not use in areas where gasoline, paint, or flammable liquids are used or stored or where the unit will be exposed to flammable vapors.
14. Do not modify the electric heater. Use it only as described in this manual. Any other use not recommended by the manufacturer may cause fire, electric shock, injury, or death.
15. Do not burn wood or other materials in the electric heater.
16. Do not strike the glass panel.
17. Always use a certified electrician if new circuits or outlets will be required.
18. Always use properly grounded, fused and polarized outlets.
excessive vibration and store so as avoid damage.

PRODUCT SPECIFICATIONS

VOLTAGE	120VAC, 60 Hz
AMPS	12.5 Amps
WATTS	1500 Watts (18inch: 1000 Watts)

SAVE THESE INSTRUCTIONS

SITE SELECTION AND PREPARATION

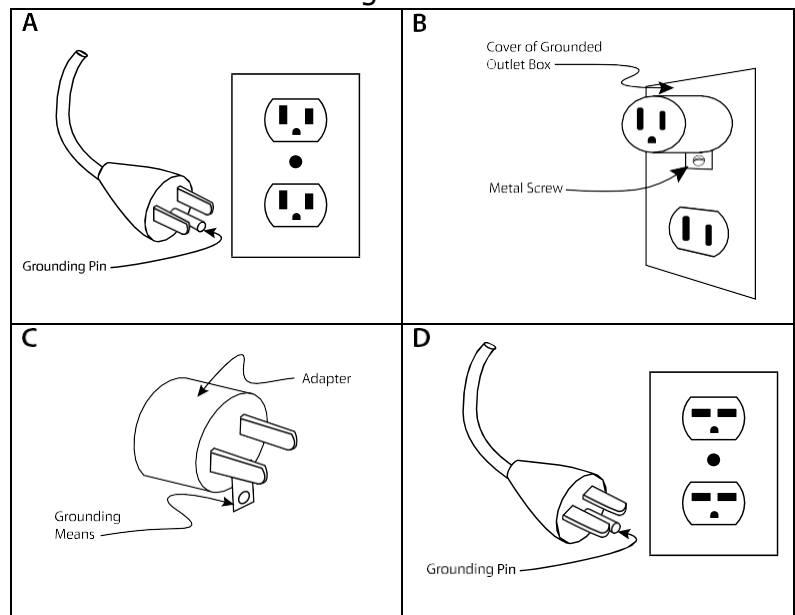
WARNING

Ensure the power cord is not installed so that it is pinched or against a sharp edge and ensure that the power cord is stored or secured to avoid tripping or snagging to reduce the risk of fire, electric shock or injury to persons.

Construction and electrical outlet wiring must comply with local building codes and other applicable regulations to reduce the risk of fire, electric shock and injury to persons.

Do not attempt to wire your own new outlets or circuits. To reduce the risk of fire, electric shock or injury to persons, always use a licensed electrician.

Figure 1

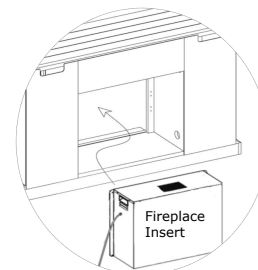


See figure 1 for grounding instruction. This heater is for use on 120 volts. The cord has a plug as shown at A in Figure 1. An adapter as shown at C is available for connecting three-blade grounding-type plugs to two-slot receptacles. The green grounding lug extending from the adapter must be connected to a permanent ground such as a properly grounded outlet box. The adapter should not be used if a three-slot grounded receptacle is available.

This section provides easy step by step instructions for selecting a location and preparing the site to install the fireplace

NOTE

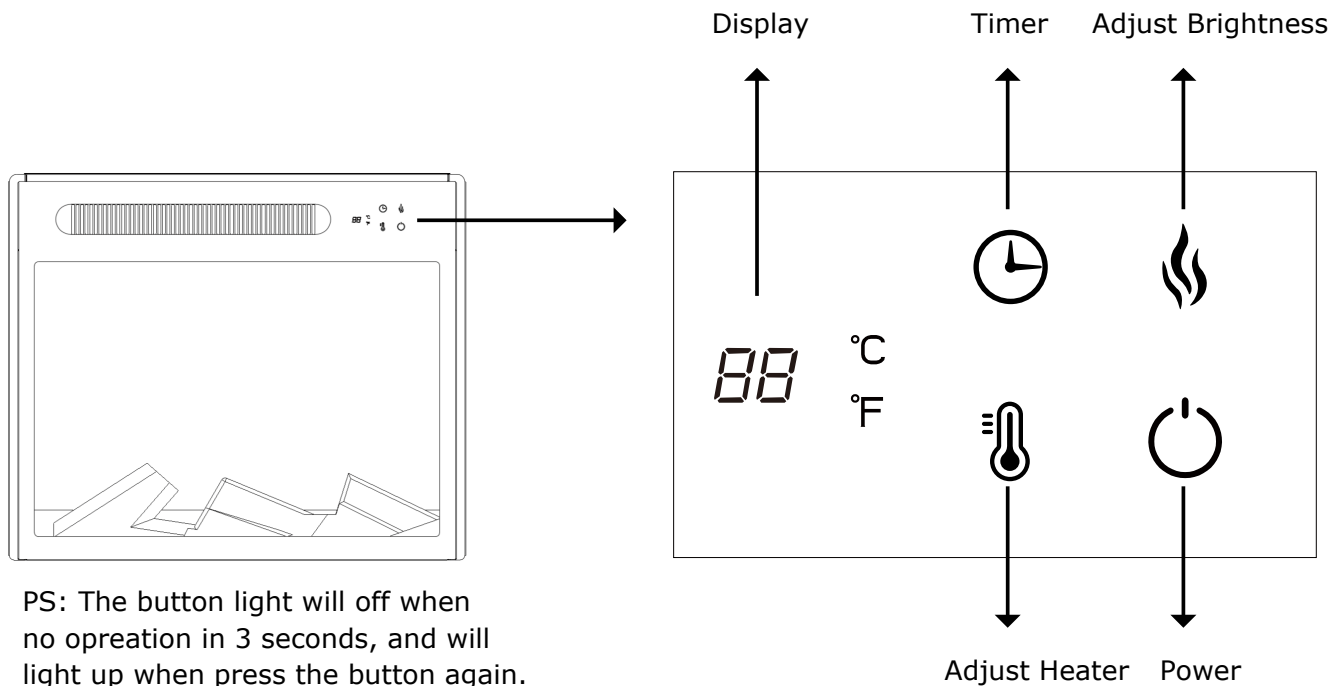
- The fireplace insert comes completely assembled and wired. Some tools may be required to prepare the site and install the trim.
- You should allow 1/4" around the fireplace insert for ease of installation.
- This fireplace does not require any venting.



1. Select a suitable location that is not susceptible to moisture and is away from drapes, furniture and high traffic.
 - For ease of electrical hook up you may wish to locate the fireplace near an existing outlet.

OPERATION AND FEATURES

Using the Control Panel



Display

Display could be awake by pressing any button.



Timer

This will allow you to set the automatic switch off on the fireplace. Setting can be 0.5h to 9h.



Adjust Brightness

This function will cycle through the four different levels of flame brightness. Hold 5 seconds to switch readout between °F and °C.



Adjust Heater

This function will cycle through the different temperature levels 62-82 °F (17-27°C) of the heater. Hold 5 seconds, Temperature figure blinking and can adjust. Default temperature is 62 °F (17°C) .

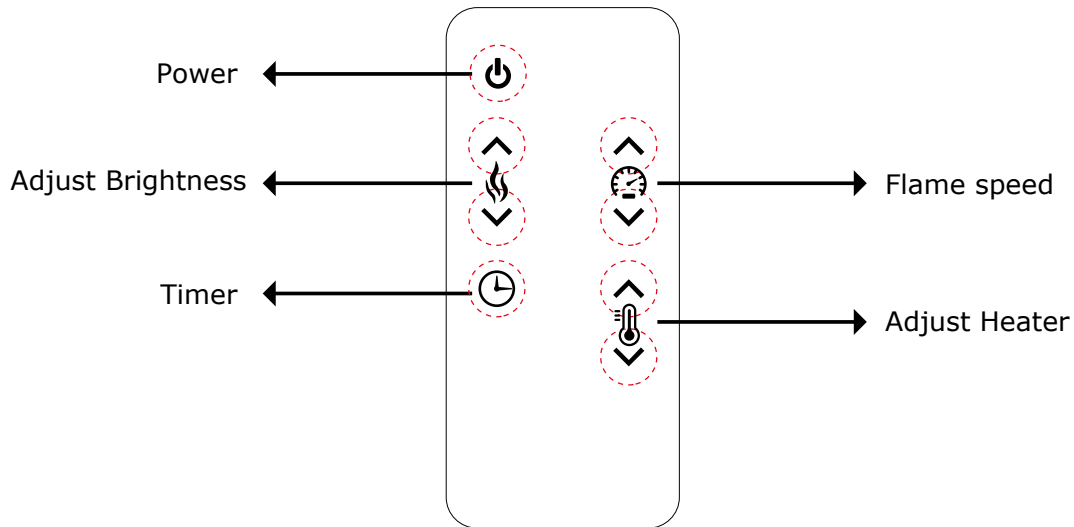


Power

This will turn the unit ON/OFF. Hold the power button on the control panel for 5 seconds to disable or re-enable the Child-Lock function.

OPERATION AND FEATURES

Remote Control



Power
This will turn the unit ON/ OFF.



Adjust Brightness
This function will cycle through the four different levels of flame brightness.



Timer
This will allow you to set the automatic switch off on the fireplace. Setting can be 0.5h to 9h.



Flame speed
Press to adjust the lever of speed of the flame:L1-L5(L5 being the fastest and L1 the slowest)



Adjust Heater
This function will cycle through the different temperature levels 62-82°F (17-27°C)of the heater.

CARE AND MAINTENANCE

Battery Replacement

- Slide the battery cover open by squeezing the release lever while pulling the battery out. Please see the underside of remote for instructions.
- Replace the dead battery with one CR2025 battery. Replacement batteries are not included with the firebox.
- Do not dispose of the dead battery in the municipal trash. Batteries should be disposed of at a local collection point for recycling batteries.
- Close the battery cover.

Light Emitting Diode

This firebox is fitted with LED (Light Emitting Diode) bulbs in place of conventional bulbs. These generate the same light levels as conventional bulbs, but use a fraction of the energy. These LED bulbs are maintenance free and should not require replacing during the life of the product.

Cleaning


WARNING


Disconnect power before attempting any maintenance or cleaning to reduce the risk of fire, electric shock, injury or death.


CAUTION

When transporting or storing the unit and cord, keep in a dry place, free from excessive vibration and store so as avoid damage.

- Dust the unit using a clean dry cloth.
- Use warm water and a clean cloth to wipe off all painted surfaces. Do not use abrasive cleaners.
- Use a standard glass cleaner for the glass panel of the unit.

 **NOTE** This firebox is equipped with power saving programs. In order for the remote to become active, the power must first be turned ON manually by using the Control Panel. If the power is turned OFF manually with the Unit Control Panel or with the automatic timer mode, the remote cannot be used to turn the firebox ON. If the remote does not seem to function, turn the unit ON using the control panel to engage the remote.

 **NOTE** Although the heater has been turned off the fan may still run to prevent over heating.

 **NOTE** When turned OFF the embers of the log set will not immediately go out. This is a designed feature to represent the embers of the fire slowly fading out.

Troubleshooting

PROBLEM	ROOT CAUSE	CORRECTIVE ACTION
Display shows "EE"	The thermostat sensor is broken or disconnected.	Unplug the fireplace, remove the back panel of the fireplace and check that the sensor is plugged into the main circuit board. If this does not solve the problem contact customer service for a replacement sensor.
The remote control is not working.	There are no batteries.	Change the remote batteries.
	The signal is poor.	Operate remote transmitter at a slow measured pace. Press the remote control buttons with an even motion and gentle pressure. Repeatedly pressing buttons in rapid succession may cause the transmitter to malfunction.
	The remote is too far from the heater.	Operate the remote at a distance less than 20 ft from the front of the appliance; point the remote at the control panel.
Heater does not blow warm air.	The heater is in a cool down cycle.	Normal operation will continue to run for several minutes before shutting down. Times will vary based on temperatures. During this time cool air will blow.
	Thermostat setting is preventing the heater from turning on.	Adjust the temperature settings to ensure that the thermostat is set higher than the current room temperature.
	The thermostat is disconnected.	Unplug the unit. Clear the vent area of dust and debris. Wait ten minutes, plug the unit in again and turn on the heater.
There is no power and the logs do not glow.	There is no power to the unit.	Check that the unit is plugged into a standard 120V outlet. Press the Power button several times and make sure power is set to the "ON" position.
Flame effect works but heater function does not and the buzzer rings 4times when the heater button is pressed.	The heater is disabled.	With the power on press and hold the POWER button on the control panel for 5 seconds. Once re-enabled the buzzer rings 2times

Replacement Parts

For replacement parts, call our customer service department

Part	Description	Qty.
1	Front Panel	1
2	Control Panel Circuit Board	1
3	Flame Generator Drive Motor	1
4	Main Circuit Board	1
5	Thermostat Sensor	1
6	Blower / Heater Assembly	1
7	Flame Circuit Board	1
8	Embered Circuit Board	1
9	Remote Control	1

