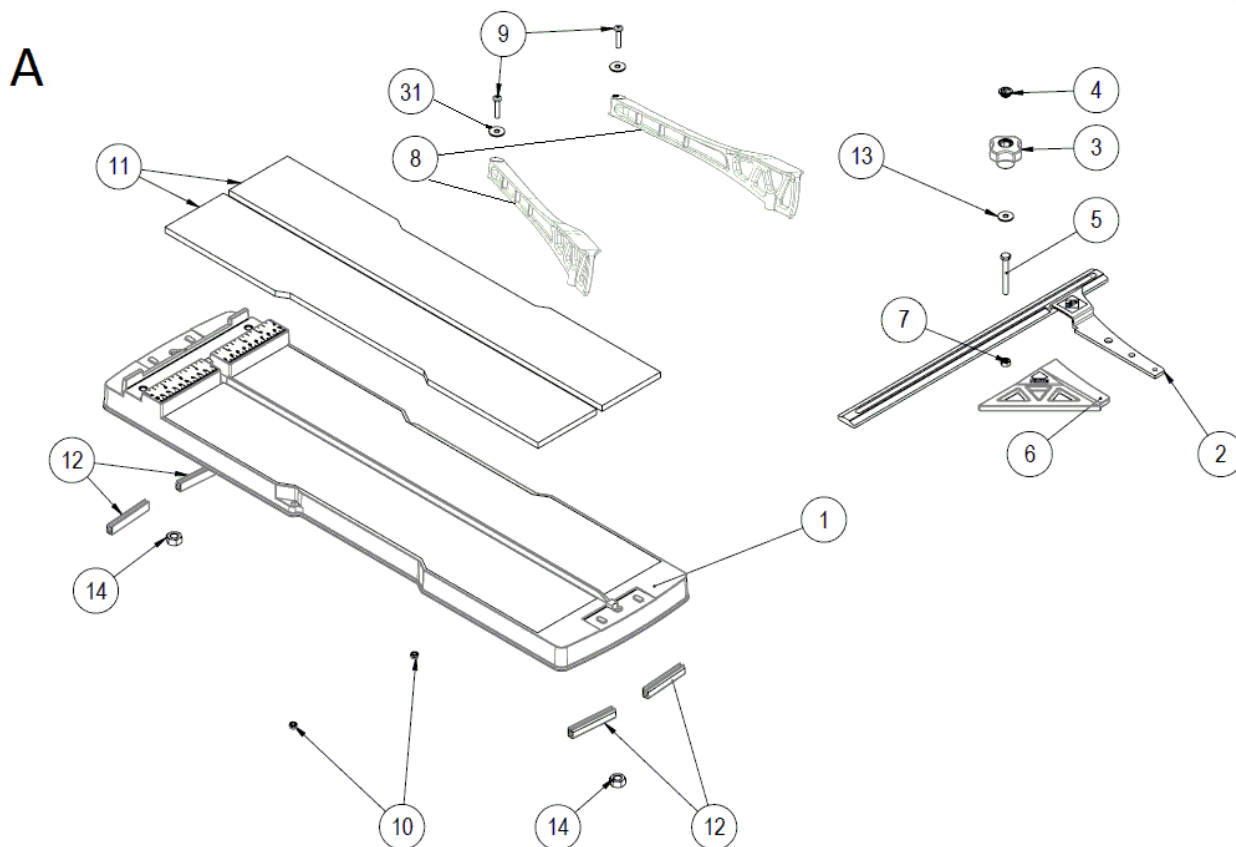


Part-list	ES	EN	Prod.	
1	A	1	GRUPO BASE SPEED-62/72/92	BASE GROUP SPEED-62/72/92
3	B	1	GRUPO GUIAS Y SOPORTES GROUP	GUIDE AND SUPPORT GROUP
4	C	1	GRUPO PORTAHERRAMIENTAS GROUP	TOOLHOLDER AND BREAKER GROUP

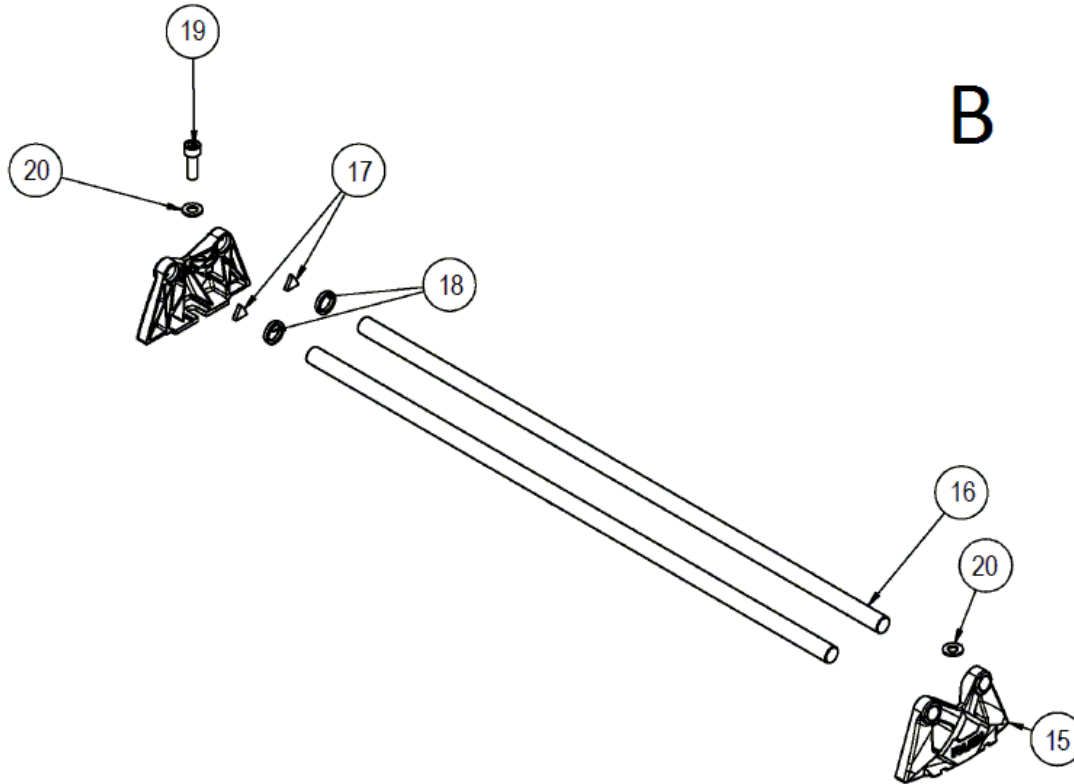
Prod.	ES	EN	From serial num.
14969	SPEED-28" N THD	SPEED-28" N THD	SN049327

Queda reservado el derecho de introducir cualquier modificacion técnica sin previo aviso

We reserve the right to introduce any technical modification without previous notice

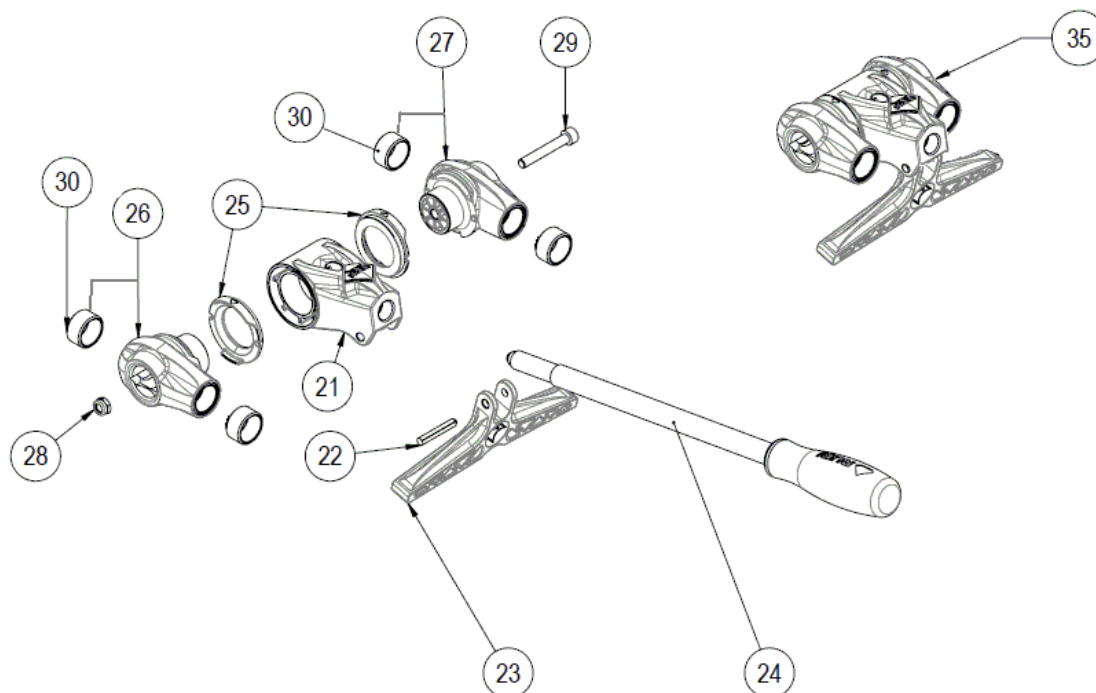


Part-list	ES	EN	Prod.
1	13434 1	BASE SPEED-72 ARENADA V2	SANDY BASE SPEED-72 V2
2	13440 1	TOPE LATERAL SPEED V2	LATERAL STOP SPEED V2
3	13255 1	POMO M6 ESTANDAR ROJO V2	RED STANDARD M6 KNOB V2
4	57485 1	TAPON POMO M6 ROJO	RED COVER KNOB M6
5	56370 1	TORN DIN 933 M6X50 ZN	SCREW DIN 933 M6X50 SS A2
6	13436 1	SUPLEMENTO 45° V2	45° SUPPLEMENT V2
7	15132 1	TUERCA DIN 934 M6 CL8 ZN	HEX NUT DIN 934 M6 CL8 ZP
8	13443 2	PATA DE APOYO SPEED-72/92 V2 NEUTRO	LATERAL ARM SPEED-72/92 V2 WO/LOGO
9	14210 2	TORN ISO 7380 M5X25 6.8 ZN	SCREW ISO 7380 M5X25 6.8 ZP
10	40045 2	TUERCA DIN 985 M5 CL8 ZN AUTOBLOC	HEX LOCK NUT DIN 985 M5 CL8 ZP
11	13318 2	GOMA MIXTA SPEED-72	MIXED RUBBER SPEED-72
12	13143 4	PIE DE GOMA BASE SPEED-62	BASE RUBBER SPEED-62/72/92
13	45038 1	ARAND DIN 9021 A6,4 ZN	WASHER DIN 9021 A6,4 ZP
14	50150 2	TUERCA DIN 934 M10 CL8 ZN	HEX NUT DIN 934 M10 CL8 ZP
31	56035 2	ARAND DIN 125 A5,3 ZN	WASHER DIN125 A5,3 ZP



Part-list	ES	EN	Prod.
15	14077 2	SOPORTE GUIAS SPEED-62 N	GUIDE SUPPORT SPEED-62 N
16	14024 2	GUIA Ø 18 L=827 CROMADA	CHROMED GUIDE Ø 18 L=827
17	12693 2	TACO GOMA FAST	RUBBER STOPPER FAST
18	13091 2	TOPE CORREDERA Ø18X22X4	CARRIER TOP 18X22X4
19	13175 2	TORN DIN 912 M10X30 8.8 ZN	SCREW DIN 912 M10X30 8.8 ZP
20	56017 2	ARAND DIN 125 A10,5 ZN	WASHER DIN 125 A10,5 ZP

C



Part-list	ES	EN	Prod.
21	12624 1	PORTAHERRAM.STAR MAX	TOOLHOLDER STAR MAX
22	12628 1	PASADOR DIN 1473 5X32	BREAKER SHAFT DIN 1473 5X32
23	14629 1	PISADOR SPEED-62 N V2	SPEED-62 N BREAKING FEET V2
24	12845 1	COM.MANGO FAST-85	HANDLE SET FAST-85
25	14005 2	DISTANCIADOR SPEED N POM	SPEED N SPACER POM
26	14429 1	CJ.CORREDERA ENCASQ.SPEED-62 N IZQ.	LEFT SLIDER W/BUSHING SPEED-62 N
27	14431 1	CJ.CORREDERA ENCASQ.SPEED-62 N DER.	RIGHT SLIDER W/BUSHING SPEED-62 N
28	40020 1	TUERCA DIN 985 M6 CL8 ZN AUTOBLOC	HEX LOCK NUT DIN 985 M6 CL8 ZP
29	13092 1	TORN DIN 912 M6X40 6.8 ZN	SCREW DIN 912 M6X40 6.8 ZP
30	14083 4	CASQ 18X22X12 SINTER.	BUSHING 18X22X12
35	14824 1	CJ.PORTAHERRAM.SPEED-N	TOOLHOLDER SET SPEED-N
36	14683 2	PROTECTOR CERAMICA REF:14629-14628 V2	TILE PROTECTOR SPEED-N/MAGNET V2