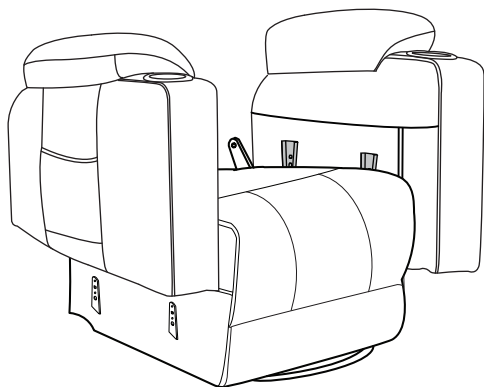
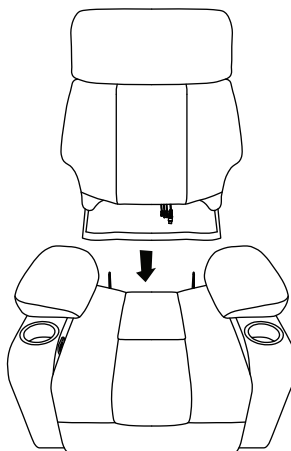


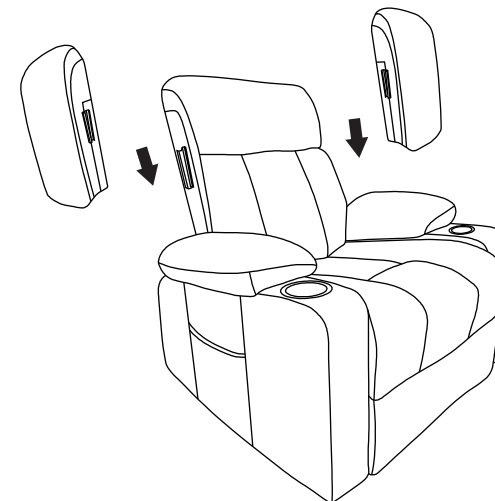
1. Insert the metal bolt of the armrests to the seat as shown.



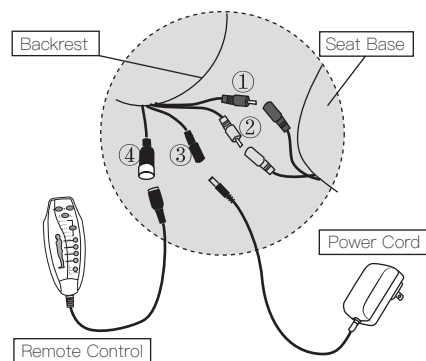
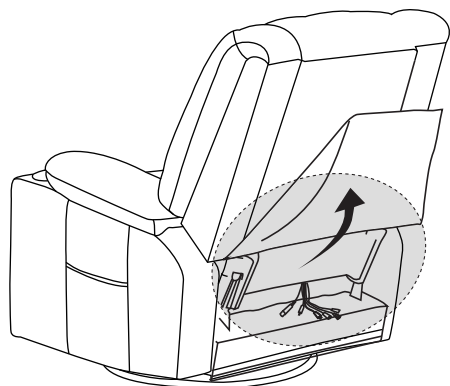
2. Insert metal bolts of the backrest to the seat as shown.



3. Insert metal bolts of the backrest ear parts to both sides of backrest.



4. Unstick the Velcro of the seat and the backrest.
Connect the cables.



The method of connecting the cables.

Connect ①② with wires of same color from the seat base.

Connect ③ with Power cord and ④ with Remote control.

5. Pull the handle to lift the footrest separately. Put some pressure onto the backrest to recline.

