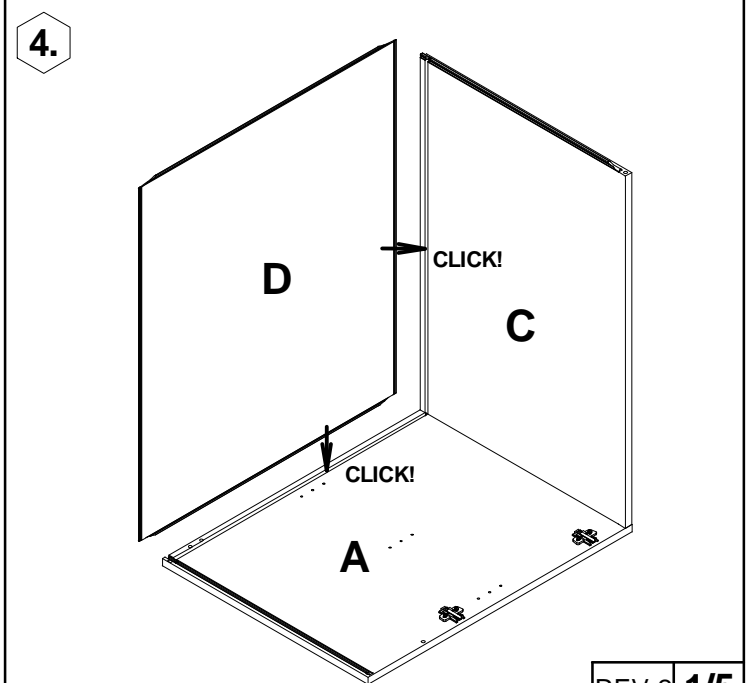
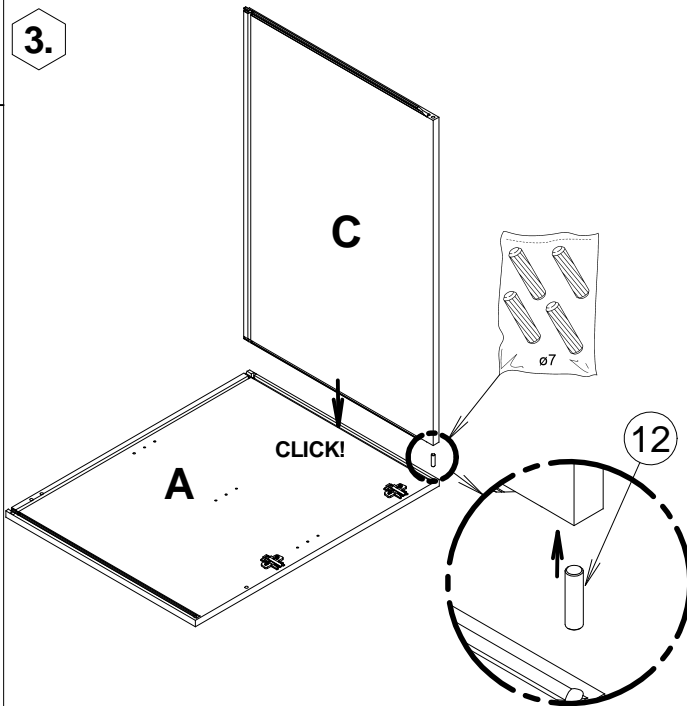
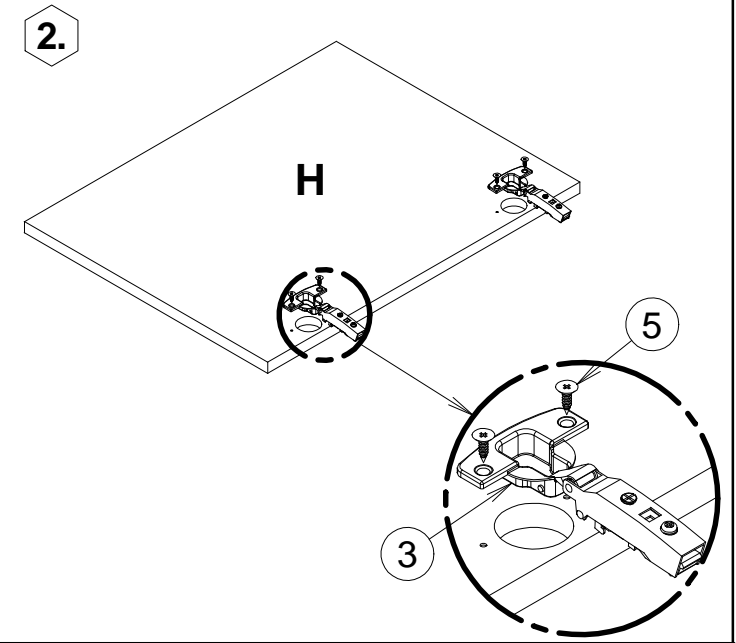
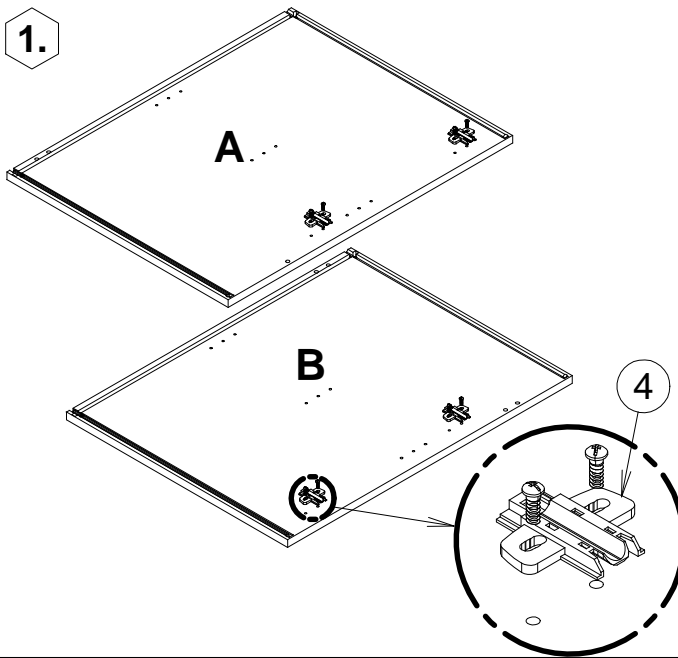
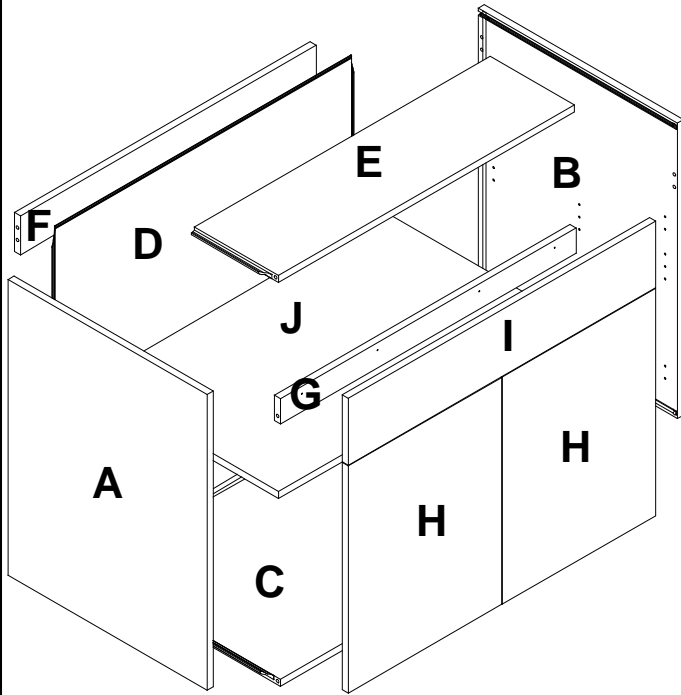
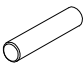

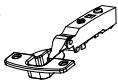


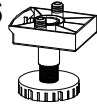








Part #:BUS36

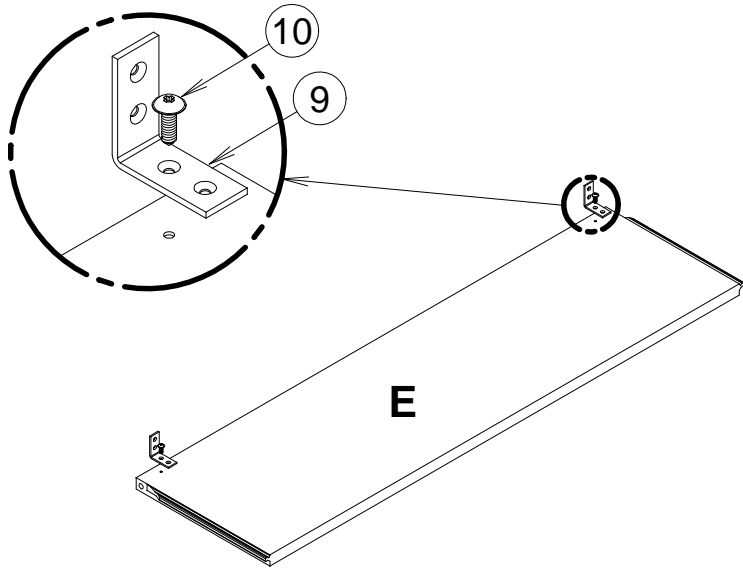
CAMBRIDGE
CABINETS

assembled with  three spine

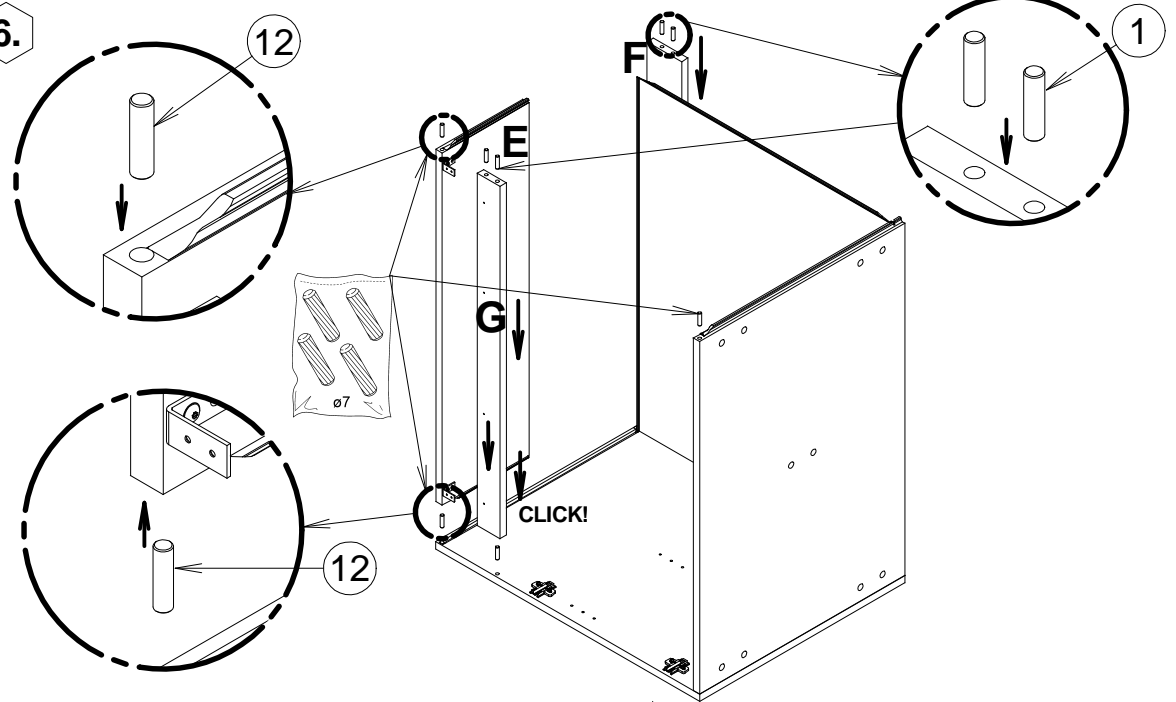


1 	2 	3 	4 
7x	6x	4x	4x
5 	6 	7 	8 
8x	5x	15x	4x
9 	10 	11 	12 
2x	4x	4x	1x

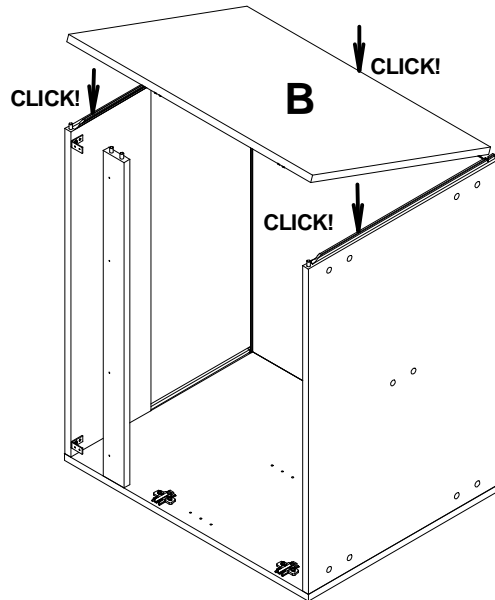
5.



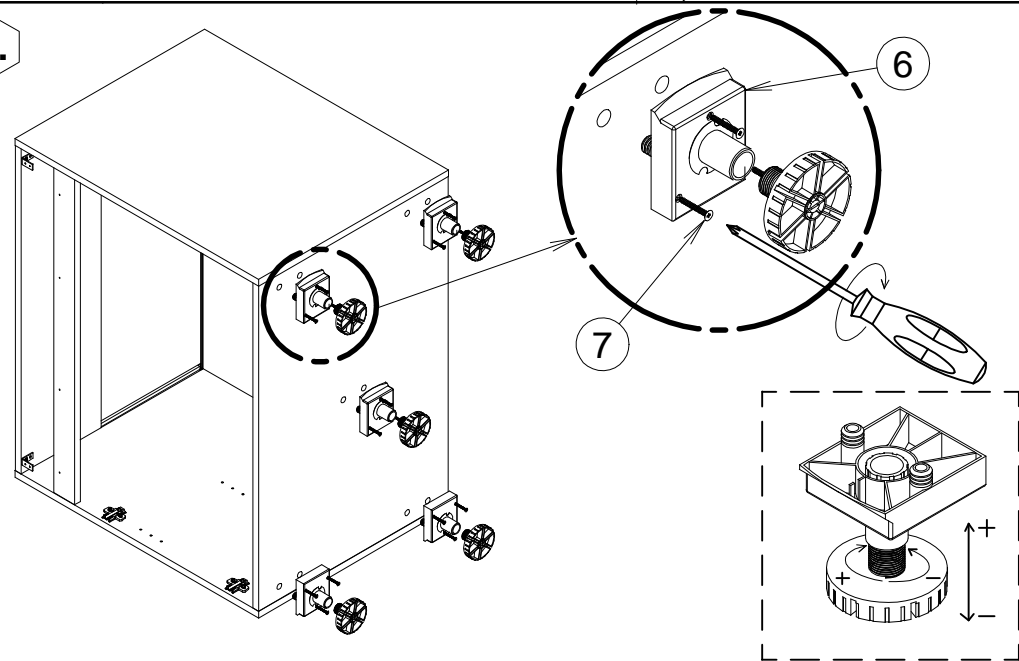
6.



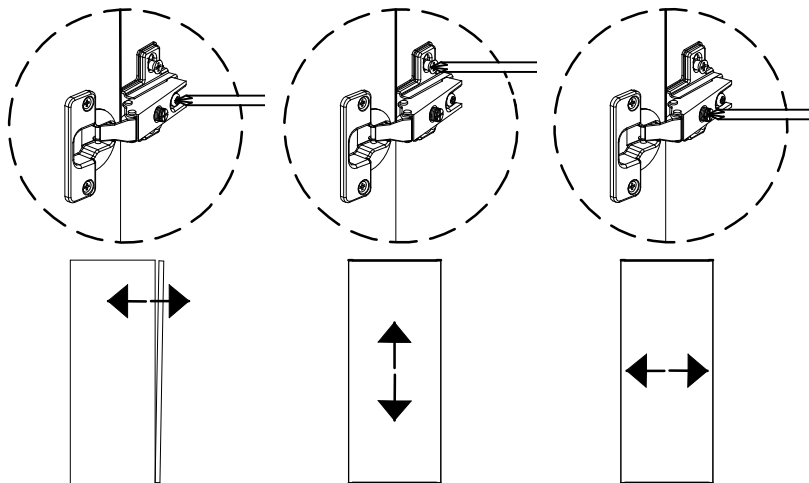
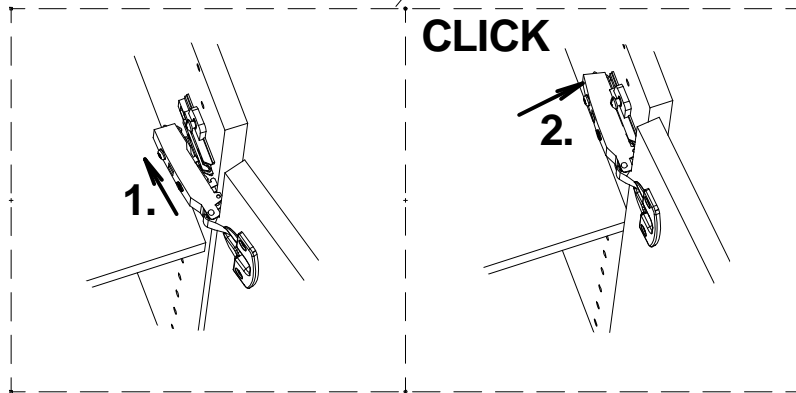
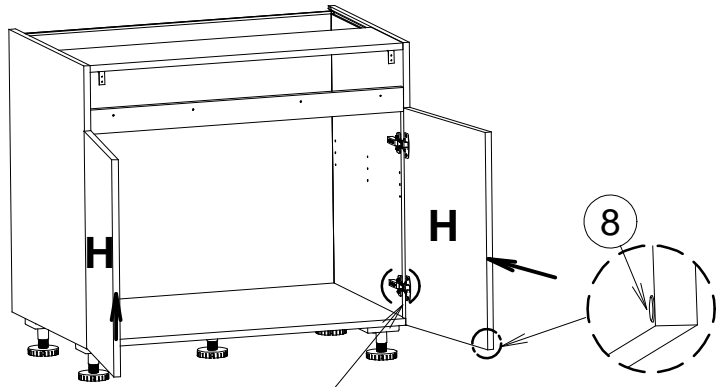
7.



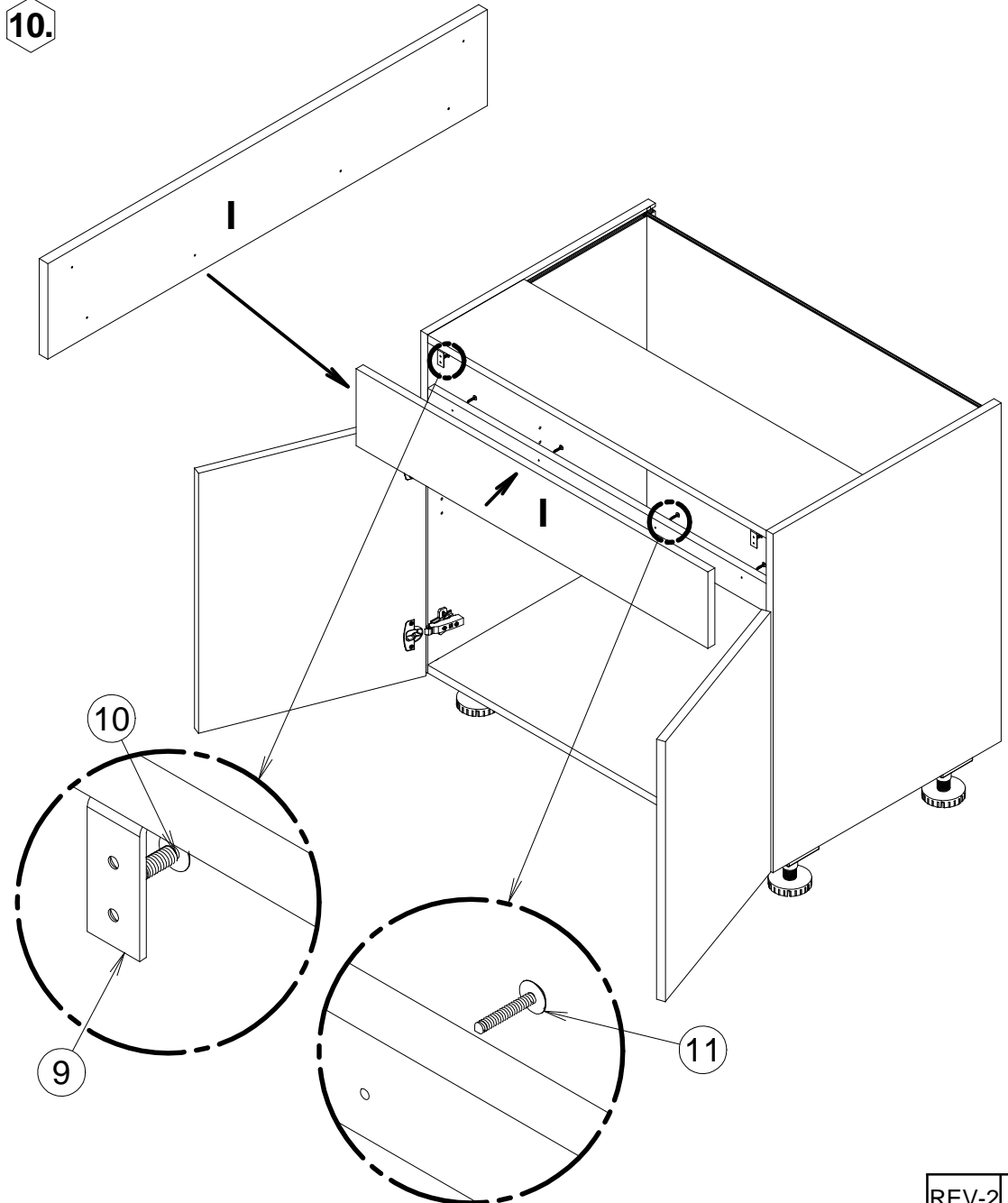
8.



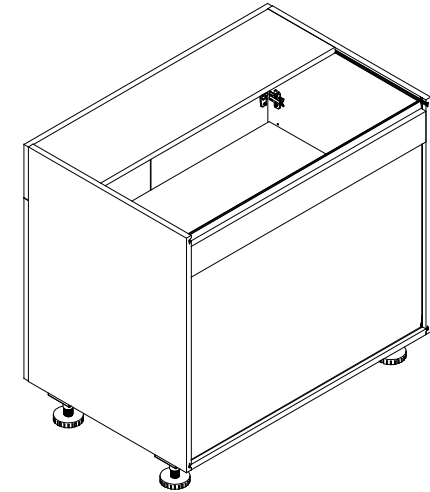
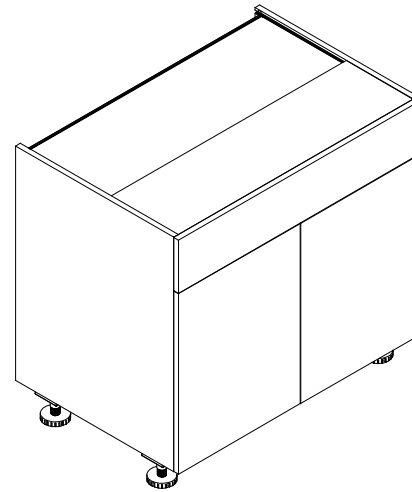
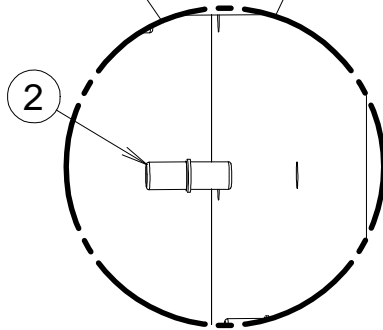
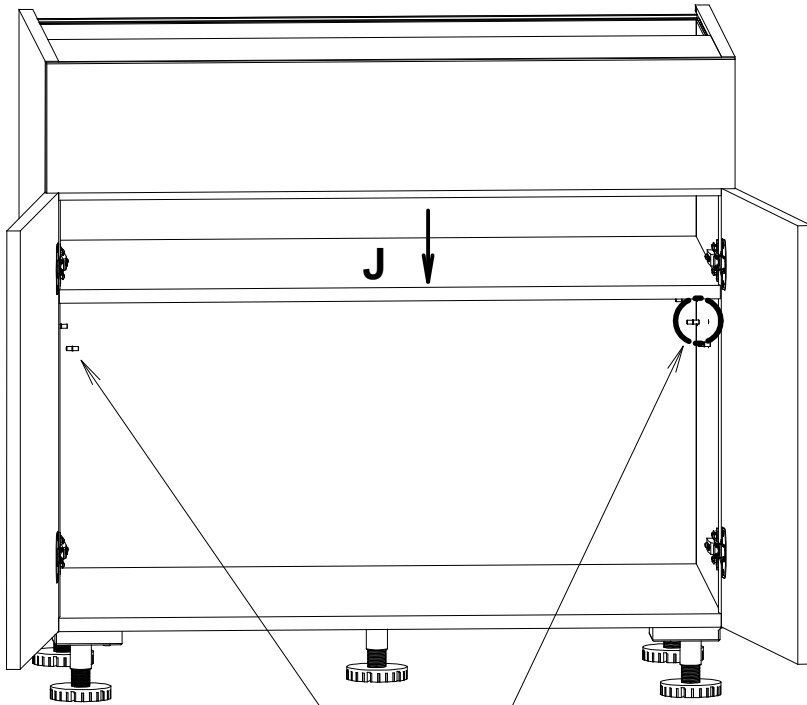
9.



10.



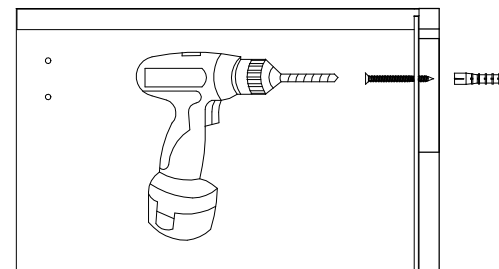
11.



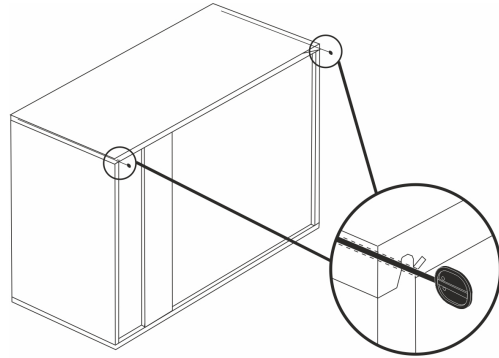
12.

Package doesn't include anchor for wall mounting.
Please choose the type of anchor upon
the wall type to which the cabinet is fixed!

FIX TO THE WALL



DISASSEMBLING



DISMANTLING PIN 580 NOT INCLUDED

