

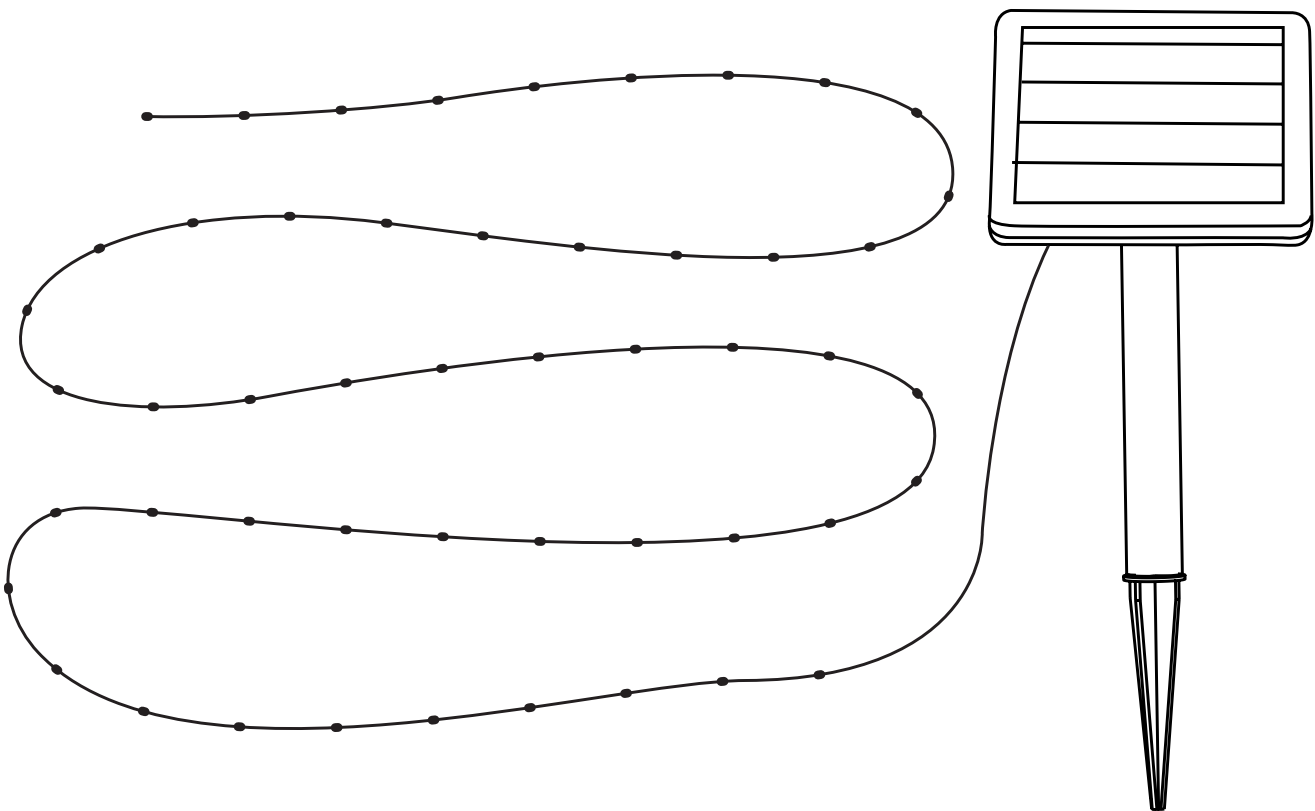


Item #1001 004 340

Model #HD28257

USE AND CARE GUIDE

SOLAR POWERED STRING LIGHT



Questions, problems, missing parts? Before returning to the store,
call Hampton Bay Customer Service
8 a.m. - 6 p.m., EST, Monday - Friday

1-855-HD-HAMPTON

HAMPTONBAY.COM








THANK YOU

We appreciate the trust and confidence you have placed in Hampton Bay through the purchase of these solar lights. We strive to continually create quality products designed to enhance your home. Visit us online to see our full line of products available for your home improvement needs. Thank you for choosing Hampton Bay!

Table of Contents

Table of Contents	3	Installation	5
Safety Information	3	Assembling the solar panel	5
Warranty	3	Replacing the battery	5
Pre-Installation	4	Troubleshooting	6
How your solar powered fixture works	4	Service Parts	6
First time use	4		
Installation tips	4		
Package contents	4		

Safety Information

-  **CAUTION:** Safe for outdoor operation.
-  **CAUTION:** Failure to insert battery/batteries in the correct polarity, as indicated in the battery compartment, may shorten the life of the battery/batteries or cause battery/batteries to explode or leak.
-  **CAUTION:** Do not mix old and new batteries. Replace all batteries of a set at the same time.
-  **CAUTION:** Do not mix Alkaline, Standard (Carbon-Zinc) or Rechargeable (Nickel Cadmium) or (Nickel Metal Hydride) batteries.
-  **CAUTION:** Do not dispose of batteries in fire.
-  **CAUTION:** Batteries should be recycled or disposed of as per manufacturer's recommendations.
-  **CAUTION:** Remove battery/batteries if consumed or if product is to be left unused for a long period.

Warranty

TWO (2) YEAR LIMITED WARRANTY

This product is guaranteed to be free from defects in material and workmanship for two (2) years following the date of purchase (excluding the battery/batteries). Should a defect occur within the warranty period, please contact our customer service team. A proof of purchase (sales receipt) will be required. If we cannot replace the defective part you require, you can return your product to the original point of purchase for a full refund or a replacement product. The consumer is responsible for the removal of and reinstallation of the product. Damage to any parts as such by accident, misuse, or improper installation is NOT covered by this warranty. Our policy does not include liability for incidental or consequential damages. Some states or provinces do not allow the exclusion or limitation of consequential damages; therefore, the above exclusion may not apply to you. This warranty gives you specific legal rights and you may also have other rights that vary from place to place.

Contact the Customer Service Team at 1-855-HD-HAMPTON or visit www.hamptonbay.com.

Pre-Installation

HOW YOUR SOLAR POWERED FIXTURE WORKS

During the day, the solar panel converts sunlight into electricity and recharges the battery /batteries. At night, the light turns on automatically using the electricity stored during that day.

The number of hours the light stays on depends on your geographical location, weather conditions and seasonal sunlight availability.

Place the solar panel in an area where it can receive direct sunlight for at least 8 hours each day. Shadowed locations will not allow the battery /batteries to charge fully and will reduce the hours of nighttime lighting. The selected location should not be near nighttime light sources, such as porch lights, street lights or pool lights, as these may cause the solar light to turn off prematurely.

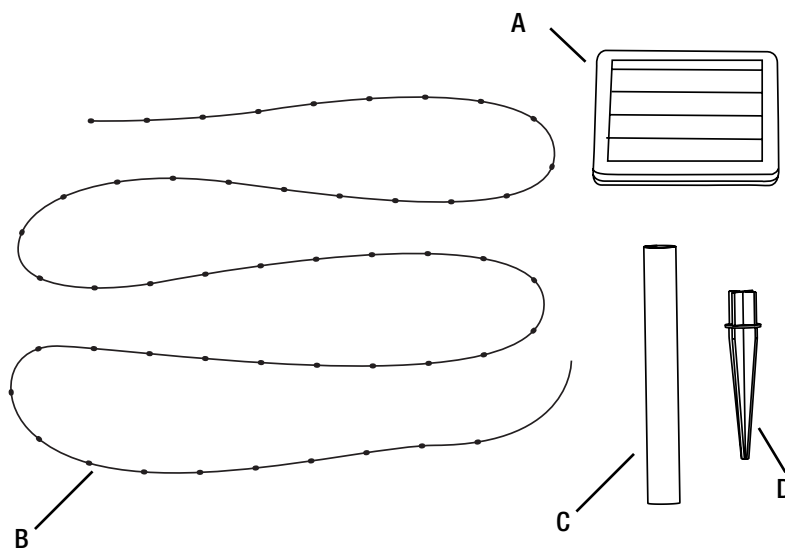
FIRST TIME USE

If the solar panel is covered by a protective film, remove it before using the product. Move the "OFF/ON" switch to the ON position. Place the solar panel in a location where it can receive a full 8 hours of sunlight to allow the rechargeable battery/batteries to reach maximum capacity.

INSTALLATION TIPS (SOLAR PANEL)

- If the soil is of a loose, sandy or organic type, grasp the post with both hands near the spike and firmly push into the ground.
- If the soil is hard, pour some water onto the ground to soften it.
- If the soil is stony, soften the ground with a rake or shovel and remove large rocks. Dig a small hole, insert the fixture spike, replace the soil and tap down.

PACKAGE CONTENTS



Part	Description	Quantity
A	Solar Panel	1
B	String Light	1
C	Post	1
D	Spike	1

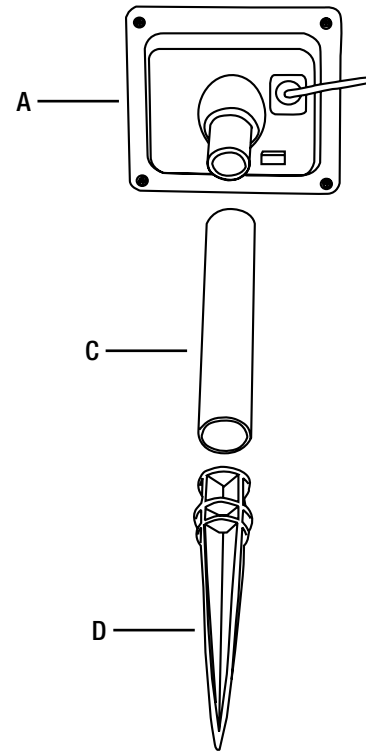
Installation

1 Assembling the solar panel



WARNING: Never push the solar panel into the ground by the panel or use a hammer to insert the spike into the ground.

- Attach the plastic spike (D) to the post (C) by pressing them together and press the post (C) into the bottom of the solar panel (A) base.



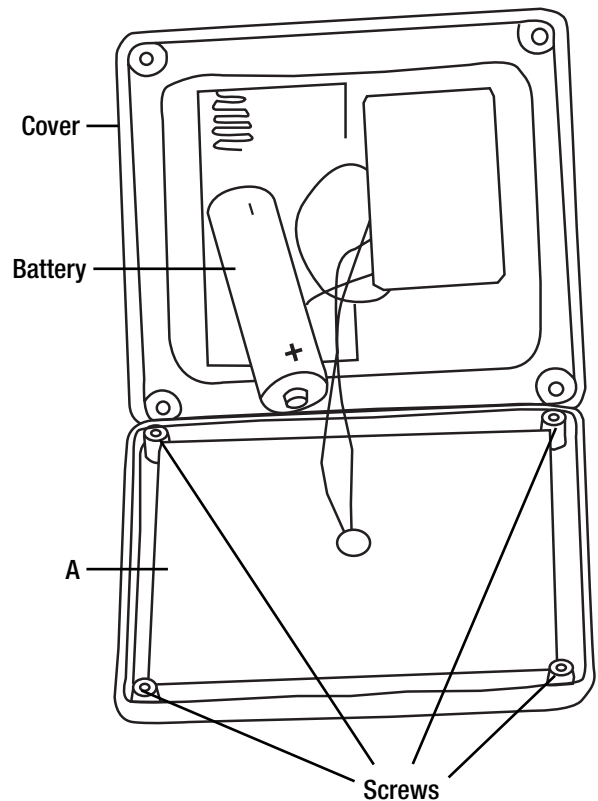
2 Replacing the battery

NOTICE: This operation should be done in the morning on a sunny day. This will allow the lantern to receive a full 8 hours of sunlight so that the rechargeable battery/batteries can reach maximum capacity.

- Remove the four screws from the back side of the solar panel (A).
- Remove the cover.
- Remove the old battery and replace it with a new AA size 1.2V rechargeable battery of same or greater mAh.

NOTICE: Clean the battery contacts and those of the device prior to battery installation.

- Be sure to insert the battery in the proper direction.
- Replace the cover.
- Replace the four screws.

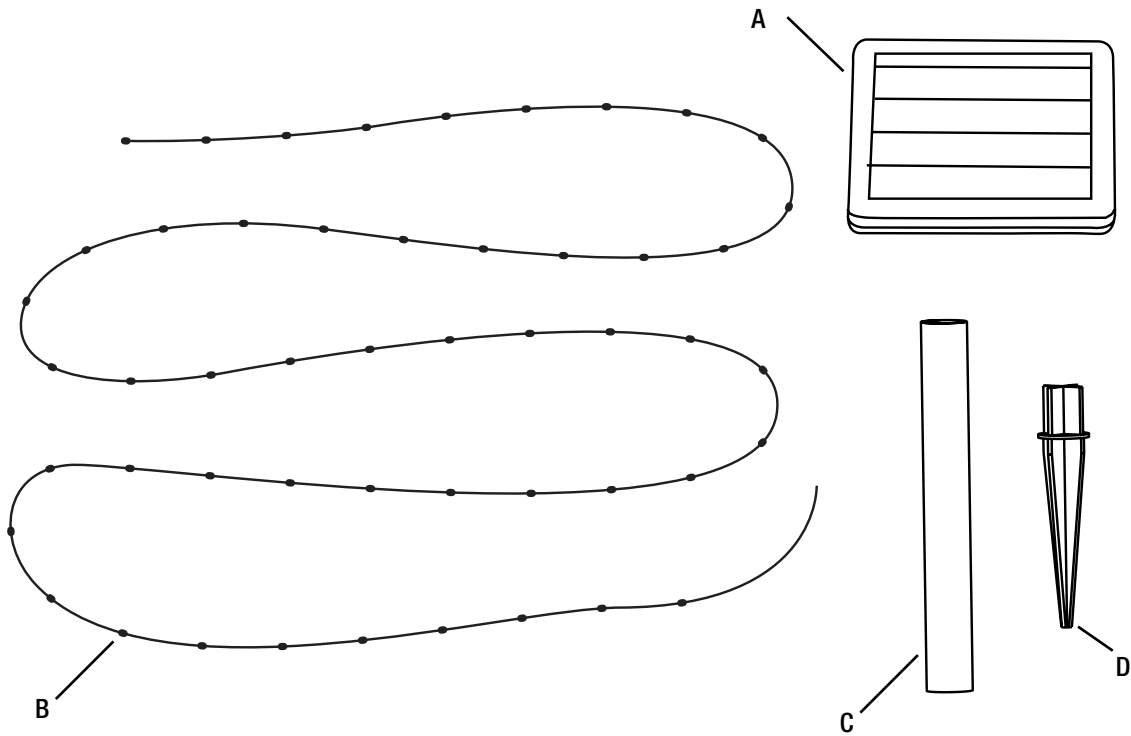


Troubleshooting

Problem	Solution
The light does not turn on at dusk after 8 hours of charging.	<ul style="list-style-type: none"> <input type="checkbox"/> Ensure the solar panel is in a bright sunny location. <input type="checkbox"/> Make sure the light's photocell is not affected by other light sources at night. <input type="checkbox"/> Make sure the OFF/ON switch is in the ON position. <input type="checkbox"/> Verify the battery/batteries are making contact with the terminal and that they have been inserted in the correct polarity.

Service Parts

MODEL TYPE



Part	Description	Quantity
A	Solar Panel	1
B	String Lights	1
C	Post	1
D	Spike	1



Questions, problems, missing parts? Before returning to the store,
call Hampton Bay Customer Service
8 a.m.-6 p.m., EST, Monday-Friday

1-855-HD-HAMPTON

HAMPTONBAY.COM

Retain this manual for future use.