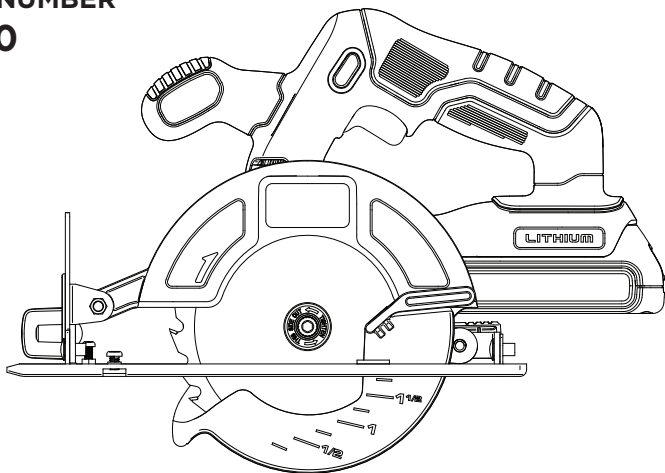


# BLACK+ DECKER™

## 20V MAX\* LI-ION 5-1/2 INCH (140MM) CIRCULAR SAW INSTRUCTION MANUAL

CATALOG NUMBER  
**BDCCS20**



**Thank you for choosing BLACK+DECKER!**

**PLEASE READ BEFORE RETURNING THIS PRODUCT FOR ANY REASON.**

If you have a question or experience a problem with your BLACK+DECKER purchase, go to <http://www.blackanddecker.com/instantanswers>

If you can't find the answer or do not have access to the Internet, call

1-800-544-6986 from 8 a.m. to 5 p.m. EST Mon. - Fri. to speak with an agent.

Please have the catalog number available when you call.

**SAVE THIS MANUAL FOR FUTURE REFERENCE.**

VEA EL ESPAÑOL EN LA CONTRAPORTADA.

INSTRUCTIVO DE OPERACIÓN, CENTROS DE SERVICIO Y PÓLIZA DE GARANTÍA.

ADVERTENCIA: LÉASE ESTE INSTRUCTIVO ANTES DE USAR EL PRODUCTO.

\*Maximum initial battery pack voltage (measured without a workload) is 20 volts. Measured under a workload, nominal voltage is 18.

To register your new product, call 1-800-544-6986  
or visit [www.BlackandDecker.com/NewOwner](http://www.BlackandDecker.com/NewOwner)

## SAFETY GUIDELINES - DEFINITIONS

It is important for you to read and understand this manual. The information it contains relates to protecting YOUR SAFETY and PREVENTING PROBLEMS. The symbols below are used to help you recognize this information.

**⚠ DANGER:** Indicates an imminently hazardous situation which, if not avoided, will result in death or serious injury.

**⚠ WARNING:** Indicates a potentially hazardous situation which, if not avoided, could result in death or serious injury.

**⚠ CAUTION:** Indicates a potentially hazardous situation which, if not avoided, may result in minor or moderate injury.

**NOTICE:** Used without the safety alert symbol indicates potentially hazardous situation which, if not avoided, may result in property damage.

## GENERAL POWER TOOL SAFETY WARNINGS

**⚠ WARNING:** Read all safety warnings and all instructions. Failure to follow the warnings and instructions may result in electric shock, fire and/or serious injury.

### SAVE ALL WARNINGS AND INSTRUCTIONS FOR FUTURE REFERENCE

The term "power tool" in the warnings refers to your mains-operated (corded) power tool or battery-operated (cordless) power tool.

#### 1) WORK AREA SAFETY

- a) Keep work area clean and well lit. Cluttered or dark areas invite accidents.
- b) Do not operate power tools in explosive atmospheres, such as in the presence of flammable liquids, gases or dust. Power tools create sparks which may ignite the dust or fumes.
- c) Keep children and bystanders away while operating a power tool. Distractions can cause you to lose control.

#### 2) ELECTRICAL SAFETY

- a) Power tool plugs must match the outlet. Never modify the plug in any way. Do not use any adapter plugs with earthed (grounded) power tools. Unmodified plugs and matching outlets will reduce risk of electric shock.
- b) Avoid body contact with earthed or grounded surfaces such as pipes, radiators, ranges and refrigerators. There is an increased risk of electric shock if your body is earthed or grounded.
- c) Do not expose power tools to rain or wet conditions. Water entering a power tool will increase the risk of electric shock.
- d) Do not abuse the cord. Never use the cord for carrying, pulling or unplugging the power tool. Keep cord away from heat, oil, sharp edges or moving parts. Damaged or entangled cords increase the risk of electric shock.
- e) When operating a power tool outdoors, use an extension cord suitable for outdoor use. Use of a cord suitable for outdoor use reduces the risk of electric shock.
- f) If operating a power tool in a damp location is unavoidable, use a ground fault circuit interrupter (GFCI) protected supply. Use of a GFCI reduces the risk of electric shock.

#### 3) PERSONAL SAFETY

- a) Stay alert, watch what you are doing and use common sense when operating a power tool. Do not use a power tool while you are tired or under the influence of drugs, alcohol or medication. A moment of inattention while operating power tools may result in serious personal injury.
- b) Use personal protective equipment. Always wear eye protection. Protective equipment such as dust mask, nonskid safety shoes, hard hat, or hearing protection used for appropriate conditions will reduce personal injuries.
- c) Prevent unintentional starting. Ensure the switch is in the off position before connecting to power source and/ or battery pack, picking up or carrying the tool. Carrying power tools with your finger on the switch or energizing power tools that have the switch on invites accidents.
- d) Remove any adjusting key or wrench before turning the power tool on. A wrench or a key left attached to a rotating part of the power tool may result in personal injury.

- e) **Do not overreach. Keep proper footing and balance at all times.** *This enables better control of the power tool in unexpected situations.*
  - f) **Dress properly. Do not wear loose clothing or jewelry. Keep your hair, clothing and gloves away from moving parts.** *Loose clothes, jewelry or long hair can be caught in moving parts.*
  - g) **If devices are provided for the connection of dust extraction and collection facilities, ensure these are connected and properly used.** *Use of dust collection can reduce dust-related hazards.*
- 4) POWER TOOL USE AND CARE**
- a) **Do not force the power tool. Use the correct power tool for your application.** *The correct power tool will do the job better and safer at the rate for which it was designed.*
  - b) **Do not use the power tool if the switch does not turn it on and off.** *Any power tool that cannot be controlled with the switch is dangerous and must be repaired.*
  - c) **Disconnect the plug from the power source and/or the battery pack from the power tool before making any adjustments, changing accessories, or storing power tools.** *Such preventive safety measures reduce the risk of starting the power tool accidentally.*
  - d) **Store idle power tools out of the reach of children and do not allow persons unfamiliar with the power tool or these instructions to operate the power tool.** *Power tools are dangerous in the hands of untrained users.*
  - e) **Maintain power tools. Check for misalignment or binding of moving parts, breakage of parts and any other condition that may affect the power tool's operation. If damaged, have the power tool repaired before use.** *Many accidents are caused by poorly maintained power tools.*
  - f) **Keep cutting tools sharp and clean.** *Properly maintained cutting tools with sharp cutting edges are less likely to bind and are easier to control.*
  - g) **Use the power tool, accessories and tool bits, etc. in accordance with these instructions, taking into account the working conditions and the work to be performed.** *Use of the power tool for operations different from those intended could result in a hazardous situation.*
- 5) BATTERY TOOL USE AND CARE**
- a) **Recharge only with the charger specified by the manufacturer.** *A charger that is suitable for one type of battery pack may create a risk of fire when used with another battery pack.*
  - b) **Use power tools only with specifically designated battery packs.** *Use of any other battery packs may create a risk of injury and fire.*
  - c) **When battery pack is not in use, keep it away from other metal objects like paper clips, coins, keys, nails, screws, or other small metal objects that can make a connection from one terminal to another.** *Shorting the battery terminals together may cause burns or a fire.*
  - d) **Under abusive conditions, liquid may be ejected from the battery, avoid contact. If contact accidentally occurs, flush with water. If liquid contacts eyes, additionally seek medical help.** *Liquid ejected from the battery may cause irritation or burns.*
- 6) SERVICE**
- a) **Have your power tool serviced by a qualified repair person using only identical replacement parts.** *This will ensure that the safety of the power tool is maintained.*

## SAFETY INSTRUCTIONS FOR ALL SAWS

- ⚠ DANGER:** **Keep hands away from cutting area and the blade. Keep your second hand on auxiliary handle or motor housing.** *If both hands are holding the saw, they cannot be cut by the blade.*
- b) **Do not reach underneath the workpiece.** *The guard cannot protect you from the blade below the workpiece.*
- c) **Adjust the cutting depth to the thickness of the workpiece.** *Less than a full tooth of the blade teeth should be visible below the workpiece.*
- d) **Never hold piece being cut in your hands or across your leg. Secure the workpiece to a stable platform.** *It is important to support the work properly to minimize body exposure, blade binding, or loss of control.*
- e) **Hold power tool by insulated gripping surfaces when performing an operation where the cutting tool may contact hidden wiring.** *Contact with a "live" wire will also make exposed metal parts of the power tool "live" and shock the operator.*

- f) **When ripping always use a rip fence or straight edge guide.** *This improves the accuracy of cut and reduces the chance of blade binding.*
- g) **Always use blades with correct size and shape (diamond versus round) of arbour holes.** *Blades that do not match the mounting hardware of the saw will run eccentrically, causing loss of control.*
- h) **Never use damaged or incorrect blade washers or bolt.** *The blade washers and bolt were specially designed for your saw, for optimum performance and safety of operation.*

## CAUSES AND OPERATOR PREVENTION OF KICKBACK:

- Kickback is a sudden reaction to a pinched, bound or misaligned saw blade, causing an uncontrolled saw to lift up and out of the workpiece toward the operator.
  - When the blade is pinched or bound tightly by the kerf closing down, the blade stalls and the motor reaction drives the unit rapidly back toward the operator.
  - If the blade becomes twisted or misaligned in the cut, the teeth at the back edge of the blade can dig into the top surface of the wood causing the blade to climb out of the kerf and jump back toward the operator.
- Kickback is the result of saw misuse and/or incorrect operating procedures or conditions and can be avoided by taking proper precautions as given below:
- a) **Maintain a firm grip with both hands on the saw and position your arms to resist kickback forces. Position your body to either side of the blade, but not in line with the blade.** *Kickback could cause the saw to jump backwards, but kickback forces can be controlled by the operator, if proper precautions are taken.*
  - b) **When blade is binding, or when interrupting a cut for any reason, release the trigger and hold the saw motionless in the material until the blade comes to a complete stop. Never attempt to remove the saw from the work or pull the saw backward while the blade is in motion or kickback may occur. Investigate and take corrective actions to eliminate the cause of blade binding.**
  - c) **When restarting a saw in the workpiece, center the saw blade in the kerf and check that saw teeth are not engaged into the material. If saw blade is binding, it may walk up or kickback from the workpiece as the saw is restarted.**
  - d) **Support large panels to minimize the risk of blade pinching and kickback.** *Large panels tend to sag under their own weight. Supports must be placed under the panel on both sides, near the line of cut and near the edge of the panel.*
  - e) **Do not use dull or damaged blades.** *Unsharpened or improperly set blades produce narrow kerf causing excessive friction, blade binding and kickback.*
  - f) **Blade depth and bevel adjusting locking knobs must be tight and secure before making cut.** *If blade adjustment shifts while cutting, it may cause binding and kickback.*
  - g) **Use extra caution when sawing into existing walls or other blind areas.** *The protruding blade may cut objects that can cause kickback.*

## LOWER GUARD SAFETY INSTRUCTIONS

- a) **Check lower guard for proper closing before each use. Do not operate the saw if lower guard does not move freely and close instantly. Never clamp or tie the lower guard into the open position.** *If saw is accidentally dropped, lower guard may be bent. Raise the lower guard with the retracting handle and make sure it moves freely and does not touch the blade or any other part, in all angles and depths of cut.*
- b) **Check the operation of the lower guard spring. If the guard and the spring are not operating properly, they must be serviced before use.** *Lower guard may operate sluggishly due to damaged parts, gummy deposits, or a buildup of debris.*
- c) **Lower guard should be retracted manually only for special cuts such as “plunge cuts” and “compound cuts.”** *Raise lower guard by retracting handle and as soon as blade enters the material, the lower guard must be released. For all other sawing, the lower guard should operate automatically.*
- d) **Always observe that the lower guard is covering the blade before placing saw down on bench or floor.** *An unprotected, coasting blade will cause the saw to walk backwards, cutting whatever is in its path. Be aware of the time it takes for the blade to stop after switch is released.*

## ADDITIONAL SAFETY INSTRUCTIONS

- **Use clamps or another practical way to secure and support the workpiece to a stable platform.** Holding the work by hand or against your body leaves it unstable and may lead to loss of control.
- **Keep your body positioned to either side of the blade, but not in line with the saw blade.** *KICKBACK could cause the saw to jump backwards (see Causes and Operator Prevention of Kickback and KICKBACK).*
- **Avoid cutting nails. Inspect for and remove all nails from lumber before cutting.**
- **Always make sure nothing interferes with the movement of the lower blade guard.**
- **Accessories must be rated for at least the speed recommended on the tool warning label.** *Wheels and other accessories running over rated speed can fly apart and cause injury. Accessory ratings must always be above tool speed as shown on tool nameplate.*
- *Always make sure the saw is clean before using.*
- *Stop using this saw and have it properly serviced if any unusual noise or abnormal operation occurs.*
- *Always be sure all components are mounted properly and securely before using tool.*
- *Always handle the saw blade with care when mounting or removing it or when removing the diamond knockout.*
- *Always wait until the motor has reached full speed before starting a cut.*
- *Always keep handles dry, clean and free of oil and grease. Hold the tool firmly with both hands when in use.*
- *Always be alert at all times, especially during repetitive, monotonous operations. Always be sure of position of your hands relative to the blade.*
- *Stay clear of end pieces that may fall after cutting off. They may be hot, sharp and/ or heavy. Serious personal injury may result.*
- *Replace or repair damaged cords. Make sure your extension cord is in good condition. Use only 3-wire extension cords that have 3-prong grounding-type plugs and 3-pole receptacles that accept the tool's plug.*
- **An extension cord must have adequate wire size (AWG or American Wire Gauge) for safety.** The smaller the gauge number of the wire, the greater the capacity of the cable, that is 16 gauge has more capacity than 18 gauge. An undersized cord will cause a drop in line voltage resulting in loss of power and overheating. When using more than one extension to make up the total length, be sure each individual extension contains at least the minimum wire size. The following table shows the correct size to use depending on cord length and nameplate ampere rating. If in doubt, use the next heavier gauge. The smaller the gauge number, the heavier the cord.

**Recommended Minimum Wire Size for Extension Cords**

Total Length of Cord						
25 ft.	50 ft.	75 ft.	100 ft.	125 ft.	150 ft.	175 ft.
7.6 m	15.2 m	22.9 m	30.5 m	38.1 m	45.7 m	53.3 m
<b>Wire Size AWG</b>						
18	18	16	16	14	14	12

- ⚠ **WARNING:** *Blades coast after turn off. Serious personal injury may result.*
- ⚠ **WARNING: ALWAYS wear proper personal hearing protection that conforms to ANSI S12.6 (S3.19) during use.** *Under some conditions and duration of use, noise from this product may contribute to hearing loss.*
- ⚠ **WARNING: ALWAYS use proper eye protection.** *All users and bystanders must wear proper eye protection that conforms to ANSI Z87.1.*
- ⚠ **WARNING: ALWAYS USE SAFETY GLASSES.** *Everyday eyeglasses are NOT safety glasses. Also use face or dust mask if cutting operation is dusty. ALWAYS wear certified safety equipment:*
  - ANSI Z87.1 eye protection (CAN/CSA Z94.3).
  - ANSI S12.6 (S3.19) hearing protection.
  - NIOSH/OSHA respiratory protection.

**⚠️ WARNING:** Some dust created by power sanding, sawing, grinding, drilling, and other construction activities contains chemicals known in the state of California to cause cancer, birth defects or other reproductive harm. Some examples of these chemicals are:

- Lead from lead-based paints, crystalline silica from bricks and cement and other masonry products, and arsenic and chromium from chemically-treated lumber (CCA). Your risk from these exposures varies, depending on how often you do this type of work. To reduce your exposure to these chemicals: work in a well ventilated area, and work with approved safety equipment, such as those dust masks that are specially designed to filter out microscopic particles.
- **Avoid prolonged contact with dust from power sanding, sawing, grinding, drilling, and other construction activities. Wear protective clothing and wash exposed areas with soap and water.** Allowing dust to get into your mouth, eyes, or lay on the skin may promote absorption of harmful chemicals.

**⚠️ WARNING:** Use of this tool can generate and/or disburse dust, which may cause serious and permanent respiratory or other injury. Always use NIOSH/OSHA approved respiratory protection appropriate for the dust exposure. Direct particles away from face and body. Always operate tool in well-ventilated area and provide for proper dust removal. Use dust collection system wherever possible.

**SYMBOLS**

• The label on your tool may include the following symbols. The symbols and their definitions are as follows:

- |   |   |
|---|---|
| V.....volts   | A.....amperes                                       |
| Hz.....hertz  | W.....watts   |
| min .....minutes                                    | ~ or AC.....alternating current                     |
| == or DC ..direct current                           | n <sub>0</sub> .....no load speed                   |
| ⚠️ ..... Class I Construction<br>(grounded)         | ⊕ .....earthing terminal                            |
| ⊞ ..... Class II Construction<br>(double insulated) | ⚠️ .....safety alert symbol                         |
| 📖 .....Read instruction manual before use           | ⚙️ .....revolutions or reciprocations<br>per minute |
| 👁️ ..... Use proper eye protection                  | 🧤 ..... Use proper respiratory protection           |
|   | 👂 ..... Use proper hearing protection               |

**TO REDUCE THE RISK OF KICKBACK**

- Keep a firm grip on saw with both hands at all times.
- Stay alert – exercise control.
- Support long overhanging materials. As the material is cut and weakens, it will sag, causing a pinched blade.
- Support large panels as shown (**Fig. F**). Material supported only at the ends (**Fig. E**) will lead to blade pinching.
- Avoid sawing overhead. Material can sag and will pinch blade.
- Insure that the material to be cut is clamped (**figure H**) and solidly supported and balanced on a strong, stable and level work surface. Support the work so that the wide portion of the saw shoe is on the portion of the material that doesn't fall after the cut is made. Never hold cut off piece by hand (**figure G**)
- Keep blades sharp and clean.
- Use fence or straight edge guide when ripping. Be careful as the cut off strip can sag or twist, closing the cut and pinching the blade, leading to KICKBACK.
- Don't force tool. Wood variables such as knots, hardness, toughness, wetness, pressure treated and freshly cut green lumber can heavily load the saw which can lead to stalling. Push the saw slower when this occurs.
- Don't remove saw from work during a cut while the blade is moving.
- Allow saw to reach full speed before blade contacts material to be cut. Starting the saw with the blade against the work or pushed forward into cut can lead to stalling or sudden backward movement of saw.
- Never attempt to lift saw when making a bevel cut. This leads to blade binding and stalling.
- Always secure work to prevent workpiece movement during cut.
- Do not try to force saw back on line if your cut begins to go off line. This can cause

KICKBACK. Stop saw and allow blade to coast down to a stop. Withdraw from cut and start a new cut on the line.

- Set depth adjustment of saw such that one tooth of the blade projects below the workpiece as shown in **(figure J)**.
- Do not back up a rotating blade in the cut. Twisting the saw can cause the back edge of the blade to dig into the material, climb out of the work and run back toward the operator.
- Avoid cutting nails. Inspect for and remove all nails from lumber before cutting.

## IMPORTANT SAFETY INSTRUCTIONS FOR BATTERY CHARGERS

**SAVE THESE INSTRUCTIONS:** This manual contains important safety instructions for battery chargers.

- Before using charger, read all instructions and cautionary markings on charger, battery pack, and product using battery pack.

**⚠ WARNING: Shock hazard.** Do not allow any liquid to get inside charger.

**⚠ CAUTION: Burn hazard.** To reduce the risk of injury, charge only designated **BLACK+DECKER 20V MAX** lithium batteries. Other types of batteries may burst causing personal injury and damage.

**⚠ CAUTION:** Under certain conditions, with the charger plugged in to the power supply, the charger can be shorted by foreign material. Foreign materials of a conductive nature such as, but not limited to, steel wool, aluminum foil, or any buildup of metallic particles should be kept away from charger cavities. Always unplug the charger from the power supply when there is no battery pack in the cavity. Unplug charger before attempting to clean.

**⚠ WARNING:**

- **DO NOT attempt to charge the battery pack with any chargers other than the ones in this manual.** *The charger and battery pack are specifically designed to work together.*
- **These chargers are not intended for any uses other than charging designated BLACK+DECKER 20V MAX lithium rechargeable batteries.** *Any other uses may result in risk of fire, electric shock or electrocution.*
- **Do not expose charger to rain or snow.**
- **Pull by plug rather than cord when disconnecting charger.** *This will reduce risk of damage to electric plug and cord.*
- **Make sure that cord is located so that it will not be stepped on, tripped over, or otherwise subjected to damage or stress.**
- **Do not use an extension cord unless it is absolutely necessary.** *Use of improper extension cord could result in risk of fire, electric shock, or electrocution.*
- **An extension cord must have adequate wire size (AWG or American Wire Gauge) for safety.** *The smaller the gauge number of the wire, the greater the capacity of the cable, that is 16 gauge has more capacity than 18 gauge. When using more than one extension to make up the total length, be sure each individual extension contains at least the minimum wire size.*
- **Do not place any object on top of charger or place the charger on a soft surface that might block the ventilation slots and result in excessive internal heat. Place the charger in a position away from any heat source.** *The charger is ventilated through slots in the top and the bottom of the housing.*
- **Do not operate charger with damaged cord or plug — have them replaced immediately.**
- **Do not operate charger if it has received a sharp blow, been dropped, or otherwise damaged in any way.** *Take it to an authorized service center.*
- **Do not disassemble charger;** *take it to an authorized service center when service or repair is required. Incorrect reassembly may result in a risk of electric shock, electrocution or fire.*
- **Disconnect the charger from the outlet before attempting any cleaning.** *This will reduce the risk of electric shock. Removing the battery pack will not reduce this risk.*
- **NEVER attempt to connect 2 chargers together.**
- **The charger is designed to operate on standard household electrical power (120 Volts). Do not attempt to use it on any other voltage.**

**SAVE THESE INSTRUCTIONS**

## IMPORTANT SAFETY INSTRUCTIONS FOR BATTERY PACKS

**⚠ WARNING:** For safe operation, read this manual and manuals originally supplied with tool before using the charger.

The battery pack is not fully charged out of the carton. Before using the battery pack and charger, read the safety instructions below. Then follow charging procedures outlined.

### READ ALL INSTRUCTIONS

- **Do not incinerate the battery pack even if it is severely damaged or is completely worn out.** The battery pack can explode in a fire. Toxic fumes and materials are created when LI-ION battery packs are burned.
- **Do not charge or use battery in explosive atmospheres, such as in the presence of flammable liquids, gases or dust.** Inserting or removing the battery from the charger may ignite the dust or fumes.
- **If battery contents come into contact with the skin, immediately wash area with mild soap and water.** If battery liquid gets into the eye, rinse water over the open eye for 15 minutes or until irritation ceases. If medical attention is needed, the battery electrolyte for LI-ION batteries is composed of a mixture of liquid organic carbonates and lithium salts. For NI-CD batteries it is a 25-35% solution of potassium hydroxide.
- **Contents of opened battery cells may cause respiratory irritation.** Provide fresh air. If symptoms persist, seek medical attention.

**⚠ WARNING: Burn hazard.** Battery liquid may be flammable if exposed to spark or flame.

- Charge the battery packs only in **BLACK+DECKER** chargers.
- **DO NOT splash or immerse in water or other liquids.** This may cause premature cell failure.
- **Do not store or use the tool and battery pack in locations where the temperature may reach or exceed 105°F (40°C) (such as outside sheds or metal buildings in summer).**

**⚠ WARNING:** Never attempt to open the battery pack for any reason. If battery pack case is cracked or damaged, do not insert into charger. Do not crush, drop or damage battery pack. Do not use a battery pack or charger that has received a sharp blow, been dropped, run over or damaged in any way (i.e., pierced with a nail, hit with a hammer, stepped on). Damaged battery packs should be returned to service center for recycling.

**⚠ WARNING: Fire hazard. Do not store or carry battery so that metal objects can contact exposed battery terminals.** For example, do not place battery in aprons, pockets, tool boxes, product kit boxes, drawers, etc., with loose nails, screws, keys, etc. Transporting batteries can possibly cause fires if the battery terminals inadvertently come in contact with conductive materials such as keys, coins, hand tools and the like. The US Department of Transportation Hazardous Material Regulations (HMR) actually prohibit transporting batteries in commerce or on airplanes (i.e., packed in suitcases and carry-on luggage) UNLESS they are properly protected from short circuits. So when transporting individual batteries, make sure that the battery terminals are protected and well insulated from materials that could contact them and cause a short circuit. **NOTE: Batteries should not be put in checked baggage.**

### STORAGE RECOMMENDATIONS

1. The best storage place is one that is cool and dry away from direct sunlight and excess heat or cold.
2. Long storage will not harm the battery pack or charger.

### WALL MOUNTING

This charger is designed to be wall mountable or to sit upright on a table or work surface. If wall mounting, locate charger within reach of an electrical outlet. Mount securely using drywall screws at least 1 inch (25.4mm) long, screwed into wood to an optimal depth leaving approximately 7/32 inches (5.5mm) of the screw exposed.

### CHARGING PROCEDURE

**BLACK+DECKER** chargers are designed to charge **BLACK+DECKER** battery packs.

1. Plug the charger into an appropriate outlet before inserting the battery pack.
2. Insert the battery pack into the charger.





3. The LED will flash indicating that the battery is being charged.



4. The completion of charge is indicated by the LED remaining on continuously.

The pack is fully charged and may be used at this time or left on the charger.

Recharge discharged batteries as soon as possible after use or battery life may be greatly diminished. For longest battery life, do not discharge batteries fully. It is recommended that the batteries be recharged after each use.

## CHARGER DIAGNOSTICS

This charger is designed to detect certain problems that can arise with the battery packs or the power source. Problems are indicated by one LED flashing in different patterns.

### BAD BATTERY



The charger can detect a weak or damaged battery. The LED flashes in the pattern indicated on the label. If you see this bad battery blink pattern, do not continue to charge the battery. Return it to a service center or a collection site for recycling.

### HOT/COLD PACK DELAY



When the charger detects a battery that is excessively hot or excessively cold, it automatically starts a Hot/Cold Pack Delay, suspending charging until the battery has normalized. After this happens, the charger automatically switches to the Pack Charging mode. This feature ensures maximum battery life. The light flashes in the pattern indicated on the label.

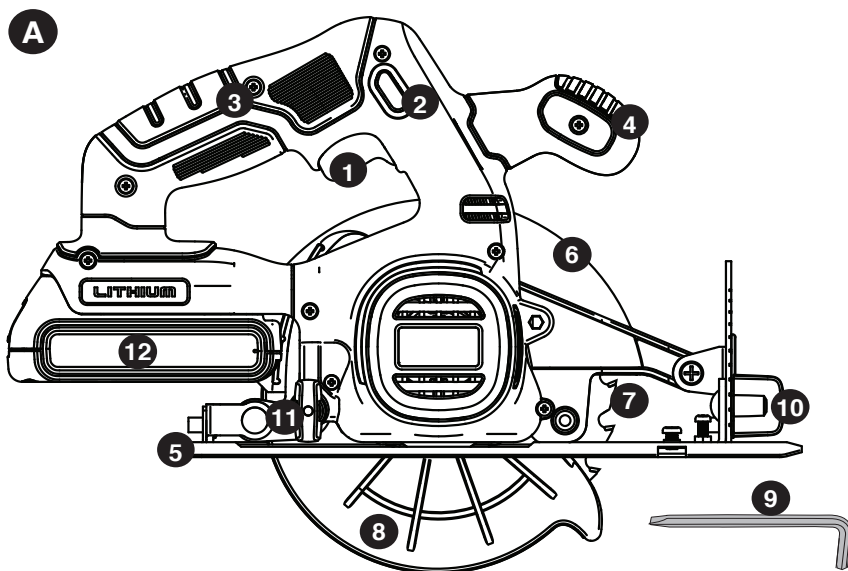
### LEAVING THE BATTERY IN THE CHARGER

The charger and battery pack can be left connected with the LED glowing indefinitely. The charger will keep the battery pack fresh and fully charged. This charger features an automatic tune-up mode which equals or balances the individual cells in the battery pack to allow it to function at peak capacity. Battery packs should be tuned up weekly or whenever the battery no longer delivers the same amount of work. To use the automatic tune-up mode, place the battery pack in the charger and leave it for at least 8 hours.

### IMPORTANT CHARGING NOTES

1. Longest life and best performance can be obtained if the battery pack is charged when the air temperature is between 65°F and 75°F (18°- 24°C). DO NOT charge the battery pack in an air temperature below +40°F (+4.5°C), or above +105°F (+40.5°C). This is important and will prevent serious damage to the battery pack.
2. The charger and battery pack may become warm to touch while charging. This is a normal condition, and does not indicate a problem. To facilitate the cooling of the battery pack after use, avoid placing the charger or battery pack in a warm environment such as in a metal shed, or an uninsulated trailer.
3. If the battery pack does not charge properly:
  - a. Check current at receptacle by plugging in a lamp or other appliance
  - b. Check to see if receptacle is connected to a light switch which turns power off when you turn out the lights.
  - c. Move charger and battery pack to a location where the surrounding air temperature is approximately 65°F - 75°F (18°- 24°C).
  - d. If charging problems persist, take the tool, battery pack and charger to your local service center.
4. The battery pack should be recharged when it fails to produce sufficient power on jobs which were easily done previously. DO NOT CONTINUE to use under these conditions. Follow the charging procedure. You may also charge a partially used pack whenever you desire with no adverse affect on the battery pack.
5. Foreign materials of a conductive nature such as, but not limited to, steel wool, aluminum foil, or any buildup of metallic particles should be kept away from charger cavities. Always unplug the charger from the power supply when there is no battery pack in the cavity. Unplug charger before attempting to clean.
6. Do not freeze or immerse charger in water or any other liquid.

**⚠ WARNING: Shock hazard.** Do not allow any liquid to get inside charger. *Never attempt to open the battery pack for any reason. If the plastic housing of the battery pack breaks or cracks, return to a service center for recycling.*



## FUNCTIONAL DESCRIPTION

1. On/off trigger
2. Lock-off button
3. Main handle
4. Secondary handle
5. Shoe
6. Upper guard
7. Saw blade

## Figure A

8. Lower blade guard
9. Wrench
10. Bevel adjustment knob
11. Depth adjustment knob
12. Battery (may not be included)
13. Spindle lock (not shown)
14. Depth adjustment scale (not shown)

This product uses the battery and charger listed in the chart below.

### Lithium Ion Battery Pack and Charger

Description	Catalog #
20v Max* Lithium-Ion Battery:	LBXR20 LB20 / LBX20
20v Max* Lithium-Ion Battery Charger:	LCS20 LCS1620
2 Amp Fast Charger:	L2AFC L2AFCBST

## INTENDED USE

This circular saw is design for do-it-yourself, wood-cutting applications.

**⚠ WARNING:** Do not cut any metals, masonry, glass, tile or plastic with this saw. A dull blade will cause slow, inefficient cutting overload on the saw motor, excessive splintering, and could increase the possibility of kickback.

- DO NOT use any abrasive wheels.
- Use only blades designed for wood cutting
- DO NOT use under wet conditions or in the presence of flammable liquids or gases.
- DO NOT let children come in contact with the tool.

Supervision is required when inexperienced users operate the tool.

## ASSEMBLY/ADJUSTMENT SET-UP

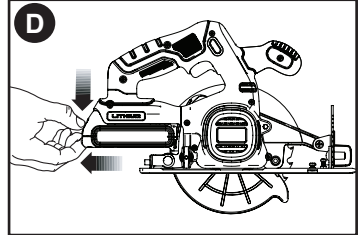
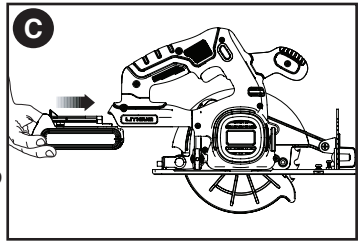
**⚠ WARNING:** TO REDUCE THE RISK OF INJURY, ALWAYS REMOVE BATTERY FROM SAW BEFORE ANY OF THE FOLLOWING ADJUSTMENT OPERATIONS.

## INSTALLING AND REMOVING THE BATTERY PACK FROM THE TOOL

**⚠ WARNING:** *Make certain the lock-off button is engaged to prevent switch actuation before removing or installing battery.*

**TO INSTALL BATTERY PACK:** Insert battery pack into tool as shown in **figure C**. Ensure battery pack is fully seated and fully latched into position.

**TO REMOVE BATTERY PACK:** Depress the battery release button as shown in **figure D** and pull battery pack out of tool.



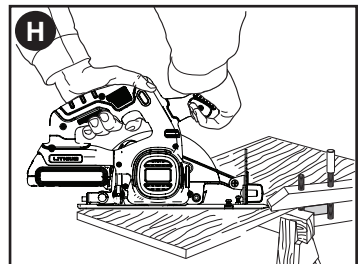
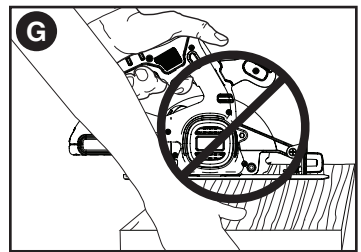
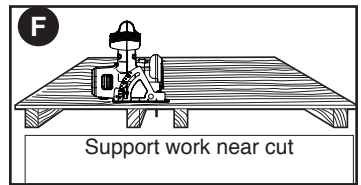
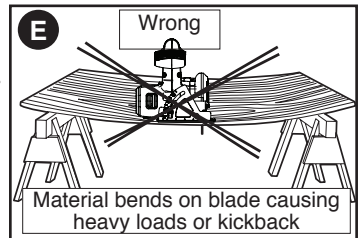
## SUPPORTING LARGE PANELS / SECURING WORKPIECE

Support large panels to minimize the risk of blade pinching and kickback. Large panels tend to sag under their own weight as shown in **figure E**.

Supports must be placed under the panel on both sides, near the line of cut and near the edge of the panel (**figure F**).

Never hold piece being cut in your hands or across your leg (**figure G**).

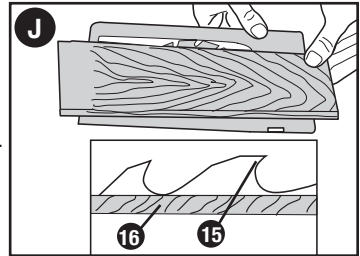
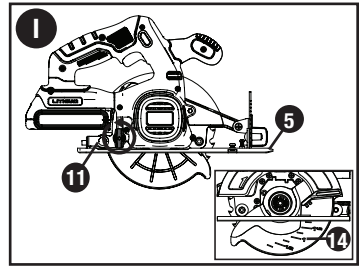
Secure the workpiece to a stable platform as shown in **figure H**. It is important to support the work properly to minimize body exposure, blade binding, or loss of control.



## CUTTING DEPTH ADJUSTMENT - FIGURES I & J

The depth of cut should be set according to the thickness of the workpiece.

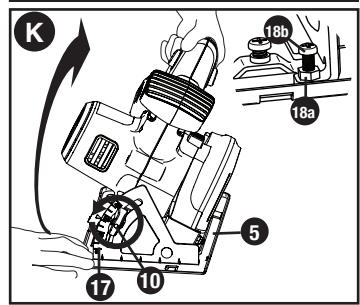
- Loosen the depth adjustment knob (11) to unlock the saw shoe (5) as shown in **figure I**.
- Move the saw shoe into the desired position. The corresponding depth of cut can be read from the scale (14).
- Set depth adjustment of saw such that one tooth (15) of the blade projects below the workpiece (16) as shown in **figure J**.
- Tighten the knob to lock the saw shoe in place.



## BEVEL ANGLE ADJUSTMENT - FIGURE K

This tool can be set to bevel angles between 0° and 50°.

- Loosen the bevel adjustment knob (10) to unlock the saw shoe (5).
- Move the saw shoe (5) into the desired position. The corresponding bevel angle can be read from the scale (17).
- Tighten the bevel adjustment knob (10) to lock the saw shoe in place.
- Confirm the accuracy of the setting by checking the bevel angle of an actual cut on a scrap piece of material.



## SHOE ADJUSTMENT FOR 90° CUTS

The shoe (5) has been set by the factory to assure that the blade is perpendicular to the shoe at 0° bevel setting.

IF REALIGNMENT IS NEEDED:

- Adjust the saw to 0° bevel.
- Retract blade guard (8).
- Loosen bevel adjustment knob (10). Place a square against the blade (7) and shoe (5) to adjust the 90° setting.
- Loosen jam nut (18a) and move the adjustment screw (18b) (inset **figure K**) so that the shoe will stop at the proper angle. Retighten jam nut against the shoe while holding adjustment screw in position.
- Confirm the accuracy of the setting by checking the squareness of an actual cut on a scrap piece of material.

## ATTACHING AND REMOVING THE BLADE - FIGURE L - M

- Retract lower guard and assemble blade (7) and clamp washer (19) as shown in **figure L**.
- Depress the spindle lock (13) while turning the blade bolt (20) with the blade wrench (9) until the blade lock engages and the blade stops rotating.

**NOTE:** Blade wrench is stored on the saw as shown in **figure M**.

- Tighten the blade bolt securely with the blade wrench.

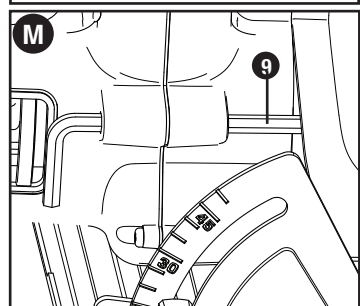
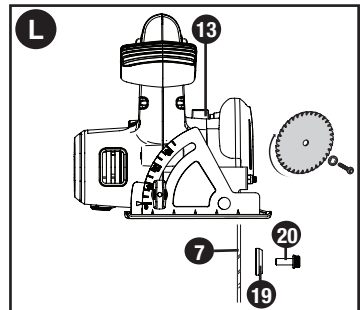
**NOTE:** Bolt has a left-handed thread. To loosen, turn clockwise. To tighten, turn counterclockwise.

**NOTE:** Never engage the blade lock while the saw is running, or engage in an effort to stop the tool. Never turn the tool on while the blade lock is engaged.

Serious damage to your saw will result.

## LOWER BLADE GUARD

**⚠ WARNING: Laceration Hazard. The lower blade guard is a safety feature which reduces the risk of serious personal injury. Never use the saw if the lower guard is missing, damaged, mis-assembled or not working properly. Do not rely on the lower blade guard to protect you under all circumstances. Your safety depends on following all warnings and precautions as well as proper operation of the saw. Check lower guard for proper closing before each use as outlined in Additional**



**Safety Rules for Circular Saws.** If the lower blade guard is missing or not working properly, have the saw serviced before using. To assure product safety and reliability, repair, maintenance and adjustment should be performed by an authorized service center or other qualified service organization, always using identical replacement parts.

**⚠ WARNING:** To minimize the risk of eye injury, always use eye protection. Carbide is a hard but brittle material. Foreign objects in the work piece such as wire or nails can cause tips to crack or break. Only operate saw when proper saw blade guard is in place. Mount blade securely in proper rotation before using, and always use a clean, sharp blade.

**⚠ WARNING:** To reduce the risk of injury, It is important to support the work properly and to hold the saw firmly to prevent loss of control which could cause personal injury. Figure H illustrates typical hand support.

## OPERATING INSTRUCTIONS

**⚠ WARNING:** To reduce the risk of serious personal injury, read, understand and follow all important safety warnings and instructions prior to using tool.

### BLADE SELECTION

Your circular saw is designed for use with 5-1/2 inch (140 mm) diameter blades that have a 3/8 inch (10 mm) diameter bore. Blades must be rated for 6000 RPM operation (or higher). DO NOT use any abrasive wheels.

### GENERAL CUTS

**⚠ WARNING:** To reduce the risk of injury, remove the battery, and follow all assembly, adjustment and set up instructions.

Make sure lower guard operates. Select the proper blade for the material to be cut.

- Measure and mark work for cutting.
- Support and secure work properly (See Safety Rules and Instructions).
- Use appropriate and required safety equipment (See Safety Rules).
- Secure and maintain work area (See Safety Rules).
- With battery inserted, make sure switch turns saw on and off.

### SWITCH

Saw is equipped with a switch lock-off feature to prevent unintentional operation.

- To operate the tool, press in on the lock-off button (2) from either side of the saw and hold it in as you depress the trigger switch (1).
- After you have depressed the trigger and the tool is running, release the lock-off button. The tool will continue to run as long as the trigger is depressed.
- To turn the tool off, release the trigger switch.

**NOTE:** This tool has no provision for locking the tool on, and the switch should never be locked on by any other means.

### AUTOMATIC ELECTRIC BRAKE

Your saw is equipped with an electric blade brake which stops the saw blade within 1-2 seconds of trigger release. This is automatic and requires no adjustment.

### SAWING

**⚠ WARNING:** To reduce the risk of serious personal injury, always hold the tool with both hands.

- Let the blade run freely for a few seconds before starting the cut.
- Apply only a gentle pressure to the tool while performing the cut.
- Work with the shoe pressed against the workpiece.

### HINTS FOR OPTIMUM USE

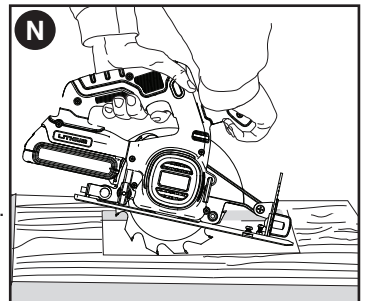
- As some splintering along the line of cut on the top side of the workpiece cannot be avoided, cut on the side where splintering is acceptable.
- Where splintering is to be minimized, e.g. when cutting laminates, clamp a piece of plywood onto the top of the workpiece.

### POCKET CUTTING (FIG. N)

**⚠ WARNING:** Never tie the blade guard in a raised position. Never move the saw backwards when pocket cutting. This may cause the unit to raise up off the work surface which could cause injury.

A pocket cut is one that is made when the edge of the material does not push the lower guard open, but the bottom edge of the rotating blade cuts into the middle of the material.

- Adjust the shoe (5) so the blade cuts at desired depth.
- Tilt the saw forward and rest front of the shoe on material to be cut.



- Using the retracting lever, retract lower blade guard to an upward position. Lower rear of shoe until blade teeth almost touch cutting line.
- Release the blade guard (its contact with the work will keep it in position to open freely as you start the cut). Remove hand from guard lever and firmly grip secondary handle (4), as shown in **figure N**. Position your body and arm to allow you to resist kickback if it occurs.
- Make sure blade is not in contact with cutting surface before starting saw.
- Start the motor, allow saw to come to full speed, and then gradually lower the saw until its shoe rests flat on the material to be cut. Advance saw along the cutting line until cut is completed as shown in **figure N**.
- Release trigger and allow blade to stop completely before withdrawing the blade from the material.
- When starting each new cut, repeat as above.

## TROUBLESHOOTING

<b>Problem</b>	<b>Possible Cause</b>	<b>Possible Solution</b>
<ul style="list-style-type: none"> <li>• Unit will not start.</li> </ul>	<ul style="list-style-type: none"> <li>• Battery pack not installed properly.</li> <li>• Battery pack not charged.</li> </ul>	<ul style="list-style-type: none"> <li>• Check battery pack installation.</li> <li>• Check battery pack charging requirements.</li> </ul>
<ul style="list-style-type: none"> <li>• Battery pack will not charge.</li> </ul>	<ul style="list-style-type: none"> <li>• Battery pack not inserted into charger.</li> <li>• Charger not plugged in.</li> <li>• Surrounding air temperature too hot or too cold.</li> </ul>	<ul style="list-style-type: none"> <li>• Insert battery pack into charger until LED appears.</li> <li>• Plug charger into a working outlet. Refer to "Important Charging Notes" for more details.</li> <li>• Move charger and battery pack to a surrounding air temperature of above 40 degrees F (4,5°C) or below 105 degrees F (+40,5°C).</li> </ul>

---

### SPECIAL NOTES FOR USE WITH LITHIUM BATTERIES

- |  |   |   |
|--|---|---|
| <ul style="list-style-type: none"> <li>• Unit shuts off abruptly.</li> </ul> | <ul style="list-style-type: none"> <li>• Battery pack has reached its maximum thermal limit.</li> <li>• Out of charge. (<b>To maximize the life of the battery pack it is designed to shutoff abruptly when the charge is depleted.</b>)</li> </ul> | <ul style="list-style-type: none"> <li>• Allow battery pack to cool down.</li> <li>• Place on charger and allow to charge.</li> </ul> |
|--|---|---|

For assistance with your product, visit our website [www.blackanddecker.com](http://www.blackanddecker.com) for the location of the service center nearest you or call the BLACK+DECKER help line at **1-800-544-6986**.

## MAINTENANCE

Use only mild soap and damp cloth to clean the tool. Never let any liquid get inside the tool; never immerse any part of the tool into a liquid.

**IMPORTANT:** To assure product SAFETY and RELIABILITY, repairs, maintenance and adjustment (other than those listed in this manual) should be performed by authorized service centers or other qualified service personnel, always using identical replacement parts.

## ACCESSORIES

Recommended accessories for use with your tool are available from your local dealer or authorized service center. If you need assistance regarding accessories, please call: **1-800-544-6986**.

**⚠️WARNING:** The use of any accessory not recommended for use with this tool could be hazardous.

### RBRC SEAL™

The RBRC™ (Rechargeable Battery Recycling Corporation) Seal on the lithium-ion battery (or battery pack) indicates that the costs to recycle the battery (or battery pack) at the end of its useful life have already been paid by BLACK+DECKER. In some areas, it is illegal to place spent lithium-ion batteries in the trash or municipal solid waste stream and the RBRC program provides an environmentally conscious alternative. RBRC in cooperation with BLACK+DECKER and other battery users, has established programs



in the United States and Canada to facilitate the collection of spent lithium-ion batteries. Help protect our environment and conserve natural resources by returning the tool to an authorized BLACK+DECKER service center for recycling. You may also contact your local recycling center for information on where to drop off the spent battery, or call **1-800-8-BATTERY**.

**NOTE:** Batteries are integrated into the tool and should not be removed. To recycle, return the tool to an authorized BLACK+DECKER service center.

This Class B digital apparatus complies with Canadian ICES-003.

This device complies with part 15 of the FCC rules. Operation is subject to the following two conditions: (1) This device may not cause harmful interference, and (2) this device must accept any interference received, including interference that may cause undesired operation.

**NOTE:** This equipment has been tested and found to comply with the limits for a Class B digital device, pursuant to Part 15 of the FCC Rules. These limits are designed to provide reasonable protection against harmful interference in a residential installation.

This equipment generates, uses and can radiate radio frequency energy and, if not installed and used in accordance with the instructions, may cause harmful interference to radio communications. However, there is no guarantee that interference will not occur in a particular installation.

If this equipment does cause harmful interference to radio or television reception, which can be determined by turning the equipment off and on, the user is encouraged to try to correct the interference by one or more of the following measures:

- Reorient or relocate the receiving antenna.
- Increase the separation between the equipment and receiver.
- Connect the equipment into an outlet on a circuit different from that to which the receiver is connected.
- Consult the dealer or an experienced radio/TV technician for help.

Changes or modifications to this unit not expressly approved by the party responsible for compliance could void the user's authority to operate the equipment. This Class B digital apparatus complies with Canadian ICES-003.

### **SERVICE INFORMATION**

All BLACK+DECKER Service Centers are staffed with trained personnel to provide customers with efficient and reliable power tool service. Whether you need technical advice, repair, or genuine factory replacement parts, contact the BLACK+DECKER location nearest you. To find your local service location, call **1-800-544-6986** or visit [www.blackanddecker.com](http://www.blackanddecker.com)

### **LIMITED TWO-YEAR HOME USE WARRANTY**

Black & Decker (U.S.) Inc. warrants this product for two years against any defects in material or workmanship. The defective product will be replaced or repaired at no charge in either of two ways.

The first, which will result in exchanges only, is to return the product to the retailer from whom it was purchased (provided that the store is a participating retailer). Returns should be made within the time period of the retailer's policy for exchanges (usually 30 to 90 days after the sale). Proof of purchase may be required. Please check with the retailer for their specific return policy regarding returns that are beyond the time set for exchanges. The second option is to take or send the product (prepaid) to a BLACK+DECKER owned or authorized Service Center for repair or replacement at our option. Proof of purchase may be required.

This warranty does not apply to accessories. This warranty gives you specific legal rights and you may have other rights which vary from state to state or province to province. Should you have any questions, contact the manager of your nearest BLACK+DECKER Service Center. This product is not intended for commercial use.

**FREE WARNING LABEL REPLACEMENT:** If your warning labels become illegible or are missing, call **1-800-544-6986** for a free replacement.

**LATIN AMERICA:** This warranty does not apply to products sold in Latin America. For products sold in Latin America, check country specific warranty information contained in the packaging, call the local company or see the website for warranty information. the packaging, call the local company or see the website for warranty information.

Imported by  
Black & Decker (U.S.) Inc.,  
701 E. Joppa Rd.  
Towson, MD 21286 U.S.A.



# BLACK+ DECKER™

## SCIE CIRCULAIRE DE LI-ION DE 20 V MAX.\* , 140 MM (5 1/2 PO)

### MODE D'EMPLOI

#### NUMERO DE CATALOGUE

#### BDCCS20

Merci d'avoir choisi BLACK+DECKER! Consulter le site Web [www.BlackandDecker.com/NewOwner](http://www.BlackandDecker.com/NewOwner) pour enregistrer votre nouveau produit. **À LIRE AVANT DE RETOURNER CE PRODUIT POUR QUELQUE RAISON QUE CE SOIT :**

Si des questions ou des problèmes surgissent après l'achat d'un produit BLACK+DECKER, consulter le site Web [www.blackanddecker.com/instantanswers](http://www.blackanddecker.com/instantanswers) pour obtenir des réponses instantanément 24 heures par jour. Si la réponse est introuvable ou en l'absence d'accès à l'Internet, composer le 1 800 544-6986 de 8 h à 17 h HNE, du lundi au vendredi, pour parler avec un agent. Prière d'avoir le numéro de catalogue sous la main lors de l'appel.

Pour l'achat d'un filtre de recharge composer le 1-888-678-7278  
**CONSERVER CE MODE D'EMPLOI POUR UN USAGE ULTÉRIEUR.**

\*La tension initiale maximale du bloc-piles (mesurée sans charge de travail) est de 20 volts. La tension nominale est de 18.

### LIGNES DIRECTRICES EN MATIÈRE DE SÉCURITÉ - DÉFINITIONS

Il est important que vous lisiez et compreniez ce mode d'emploi. Les informations qu'il contient concernent VOTRE SÉCURITÉ et visent à ÉVITER TOUT PROBLÈME. Les symboles ci-dessous servent à vous aider à reconnaître cette information.

**⚠ DANGER :** Indique une situation dangereuse imminente qui, si elle n'est pas évitée, causera la mort ou des graves blessures.

**⚠ AVERTISSEMENT :** Indique une situation potentiellement dangereuse qui, si elle n'est pas évitée, pourrait causer la mort ou de graves blessures.

**⚠ MISE EN GARDE :** Indique une situation potentiellement dangereuse qui, si elle n'est pas évitée, pourrait causer des blessures mineures ou modérées.

**AVIS :** Utilisé sans le symbole d'alerte à la sécurité, indique une situation potentiellement dangereuse qui, si elle n'est pas évitée, peut résulter en des dommages à la propriété.



# Avertissements de sécurité généraux pour les outils électriques

**⚠ AVERTISSEMENT** : Lire tous les avertissements de sécurité et toutes les directives. Le non-respect des avertissements et des directives pourrait se solder par un choc électrique, un incendie et/ou une blessure grave.

**Conserv**er tous les avertissements et toutes les directives pour un usage ultérieur. Le terme «outil électrique» cité dans les avertissements se rapporte à votre outil électrique à alimentation sur secteur (avec fil) ou par piles (sans fil).

## 1) Sécurité du lieu de travail

- a) Tenir la zone de travail propre et bien éclairée. *Les endroits sombres sont souvent des causes d'accidents.*
- b) Ne pas faire fonctionner d'outils électriques dans un milieu déflagrant, soit en présence de liquides inflammables, de gaz ou de poussière. *Les outils électriques produisent des étincelles qui peuvent enflammer la poussière ou les vapeurs.*
- c) Éloigner les enfants et les curieux au moment d'utiliser un outil électrique. *Une distraction pourrait vous en faire perdre la maîtrise.*

## 2) Sécurité en matière d'électricité

- a) Les fiches des outils électriques doivent correspondre à la prise. Ne jamais modifier la fiche en aucune façon. *Ne jamais utiliser de fiche d'adaptation avec un outil électrique mis à la terre. Le risque de choc électrique sera réduit par l'utilisation de fiches non modifiées correspondant à la prise.*
- b) Éviter tout contact physique avec des surfaces mises à la terre comme des tuyaux, des radiateurs, des cuisinières et des réfrigérateurs. *Le risque de choc électrique est plus élevé si votre corps est mis à la terre.*
- c) Ne pas exposer les outils électriques à la pluie ou à d'autres conditions où il pourrait être mouillé. *La pénétration de l'eau dans un outil électrique augmente le risque de choc électrique.*
- d) Ne pas utiliser abusivement le cordon d'alimentation. Ne jamais utiliser le cordon pour transporter, tirer ou débrancher un outil électrique. Tenir le cordon éloigné de la chaleur, de l'huile, des bords tranchants ou des pièces mobiles. *Les cordons endommagés ou emmêlés augmentent les risques de choc électrique.*
- e) Pour l'utilisation d'un outil électrique à l'extérieur, se servir d'une rallonge convenant à une telle utilisation. *L'utilisation d'une rallonge conçue pour l'extérieur réduit les risques de choc électrique.*
- f) S'il est impossible d'éviter l'utilisation d'un outil électrique dans un endroit humide, brancher l'outil dans une prise ou sur un circuit d'alimentation dotés d'un disjoncteur de fuite à la terre (GFCI). *L'utilisation de ce type de disjoncteur réduit les risques de choc électrique.*

## 3) Sécurité personnelle

- a) Être vigilant, surveiller le travail effectué et faire preuve de jugement lorsqu'un outil électrique est utilisé. Ne pas utiliser d'outil électrique en cas de fatigue ou sous l'influence de drogues, d'alcool ou de médicaments. *Un simple moment d'inattention en utilisant un outil électrique peut entraîner des blessures corporelles graves.*
- b) Utiliser des équipements de protection individuelle. Toujours porter une protection oculaire. *L'utilisation d'équipements de protection comme un masque antipoussière, des chaussures antidérapantes, un casque de sécurité ou des protecteurs auditifs lorsque la situation le requiert réduira les risques de blessures corporelles.*
- c) Empêcher les démarrages intempestifs. S'assurer que l'interrupteur se trouve à la position d'arrêt avant de relier l'outil à une source d'alimentation et/ou d'insérer un bloc-piles, de ramasser ou de transporter l'outil. *Transporter un outil électrique alors que le doigt repose sur l'interrupteur ou brancher un outil électrique dont l'interrupteur est à la position de marche risque de provoquer un accident.*
- d) Retirer toute clé de réglage ou clé standard avant de démarrer l'outil. *Une clé standard ou une clé de réglage attachée à une partie pivotante peut causer des blessures.*
- e) Ne pas trop tendre les bras. Conserver son équilibre en tout temps. *Cela permet de mieux maîtriser l'outil électrique dans les situations imprévues.*
- f) S'habiller de manière appropriée. Ne pas porter de vêtements amples ni de bijoux. Garder les cheveux, les vêtements et les gants à l'écart des pièces mobiles. *Les vêtements amples, les bijoux ou les cheveux longs risquent de rester coincés dans les pièces mobiles.*
- g) Si des composants sont fournis pour le raccordement de dispositifs de dépoussiérage et de ramassage, s'assurer que ceux-ci sont bien raccordés et utilisés. *L'utilisation d'un dispositif de dépoussiérage peut réduire les dangers*

*engendrés par les poussières.*

#### 4) Utilisation et entretien d'un outil électrique

- a) **Ne pas forcer un outil électrique. Utiliser l'outil électrique approprié à l'application.** *L'outil électrique approprié effectuera un meilleur travail, de façon plus sûre et à la vitesse pour laquelle il a été conçu.*
- b) **Ne pas utiliser un outil électrique dont l'interrupteur est défectueux.** *Tout outil électrique dont l'interrupteur est défectueux est dangereux et doit être réparé.*
- c) **Débrancher la fiche du secteur ou le bloc-piles de l'outil électrique avant de faire tout réglage ou changement d'accessoire, ou avant de ranger l'outil électrique.** *Ces mesures préventives réduisent les risques de démarrage accidentel de l'outil électrique.*
- d) **Ranger les outils électriques hors de la portée des enfants, et ne permettre à aucune personne n'étant pas familière avec un outil électrique (ou son manuel d'instruction) d'utiliser ce dernier.** *Les outils électriques deviennent dangereux entre les mains d'utilisateurs inexpérimentés.*
- e) **Entretien des outils électriques. Vérifier les pièces mobiles pour s'assurer qu'elles sont bien alignées et tournent librement, qu'elles sont en bon état et ne sont affectées par aucun trouble susceptible de nuire au bon fonctionnement de l'outil électrique. En cas de dommage, faire réparer l'outil électrique avant toute nouvelle utilisation.** *Beaucoup d'accidents sont causés par des outils électriques mal entretenus.*
- f) **S'assurer que les outils de coupe sont aiguisés et propres.** *Les outils de coupe bien entretenus et affûtés sont moins susceptibles de se coincer et sont plus faciles à contrôler.*
- g) **Utiliser l'outil électrique, les accessoires, les forets, etc. conformément aux présentes directives en tenant compte des conditions de travail et du travail à effectuer.** *L'utilisation d'un outil électrique pour toute opération autre que celle pour laquelle il a été conçu est dangereuse.*

#### 5) Réparation

- a) **Faire réparer l'outil électrique par un réparateur professionnel en n'utilisant que des pièces de rechange identiques.** *Cela permettra de maintenir une utilisation sécuritaire de l'outil électrique.*

## RÈGLES DE SÉCURITÉ SPÉCIFIQUES SUPPLÉMENTAIRES CONSIGNES DE SÉCURITÉ POUR TOUTES LES SCIES

### ⚠ DANGER :

- a. **Gardez les mains à distance de la zone de coupe et de la lame. Gardez une de vos mains sur la poignée auxiliaire ou sur le carter du moteur.** Si vous tenez la scie de vos deux mains, elles ne peuvent pas être coupées par la lame.
- b. **N'essayez pas de tenir le dessous de l'ouvrage.** Le protège-lame ne peut pas vous protéger de la lame en dessous de l'ouvrage.
- c. **Ajustez la profondeur de coupe à l'épaisseur de l'ouvrage.** Moins d'une dent entière de lame devrait être visible en dessous de l'ouvrage.
- d. **Ne tenez jamais dans vos mains ou sur vos genoux un ouvrage qui est en cours de coupe. Fixez votre ouvrage sur une plateforme stable.** Il est important de soutenir correctement l'ouvrage afin de minimiser l'exposition du corps à la lame, le risque de coincement de la lame ou la perte de contrôle de l'outil.
- e. **Tenez l'outil électrique par ses surfaces de préhension isolantes quand vous réalisez une opération au cours de laquelle l'outil de coupe pourrait entrer en contact avec des câbles dissimulés ou avec son propre cordon électrique.** Le contact avec un fil sous tension mettra également sous tension toutes les pièces métalliques exposées et donnera un choc électrique à l'utilisateur de l'outil.
- f. **Pendant les coupes de refente, utilisez toujours un guide de refente ou un guide à bord droit.** Ceci augmente toujours l'exactitude de la coupe et diminue la possibilité de coincement de la lame.
- g. **Utilisez toujours des lames dont l'alésage central est de la taille et de la forme appropriées (soit en forme de diamant, soit en forme de rond).** Les lames qui ne correspondent pas aux pièces de montage de la scie tourneront de façon excentrique, ce qui causera une perte de contrôle de l'outil.
- h. **Ne vous servez jamais de rondelles ou de boulons de lames qui sont endommagés ou inappropriés.** Les rondelles et le boulon de lame ont été conçus spécifiquement pour votre scie dans le but d'assurer une performance optimale et un fonctionnement sans danger.

## CAUSES DES REBONDS ET MÉTHODES DE PRÉVENTION POUVANT ÊTRE UTILISÉES PAR L'UTILISATEUR :

- Le rebond est une réaction subite (causée par une lame de scie pincée, coincée ou mal alignée) qui peut entraîner le soulèvement d'une scie non contrôlée, sa sortie de l'ouvrage et sa projection en direction de l'utilisateur.
- Si la lame est pincée ou coincée fortement pendant l'abaissement de la scie, la lame se cale et le moteur réagit en entraînant rapidement l'outil vers l'arrière dans la direction de l'opérateur.
- Si la lame se tord ou perd son alignement correct au cours de la coupe, les dents sur le bord arrière de la lame peuvent entamer la surface supérieure du bois, forçant ainsi la lame à sortir du trait de scie et à « sauter » vers l'arrière en direction de l'opérateur.

Le rebond est la conséquence d'une mauvaise utilisation de la scie et/ou de procédures ou de conditions incorrectes, et il peut être évité en prenant les précautions qui sont décrites ci-dessous :

- Maintenez fermement la scie avec vos deux mains et positionnez vos bras de façon à résister aux forces de rebond.** Les forces de rebond peuvent être contrôlées par l'utilisateur quand les précautions appropriées sont prises.
- En cas de coincement de la lame ou d'interruption d'une coupe pour une raison quelconque, relâchez la gâchette et tenez la scie immobile dans l'ouvrage jusqu'à ce que la lame se soit immobilisée complètement. Ne tentez jamais de retirer la scie de l'ouvrage ou de la tirer vers l'arrière pendant que la lame est en mouvement, car un rebond risquerait de se produire.** Évaluez la situation et prenez les mesures correctives nécessaires pour éliminer la cause du coincement de la lame.
- Lorsque vous remettez une scie en marche quand l'ouvrage est présent, centrez la lame de scie dans le trait de scie et vérifiez que les dents de la lame ne sont pas engagées dans le matériau de l'ouvrage.** Si la lame de scie se coince, elle peut grimper hors de l'ouvrage ou rebondir sur celui-ci quand la scie est remise en marche.
- Soutenez les panneaux de grande taille de façon à minimiser le risque de pincement et de rebond de la lame.** Les panneaux de grande taille ont tendance à s'affaisser sous leur propre poids. Des supports doivent être placés des deux côtés sous le panneau, à proximité de la ligne de coupe et à proximité du rebord du panneau.
- N'utilisez pas de lame émoussée ou endommagée.** Des lames non aiguisées ou mal installées produisent un trait de scie étroit qui cause une friction excessive, le coincement de la lame et un effet de rebond.
- Les leviers de réglage de la profondeur et de l'angle de coupe de la lame doivent être bien serrés et assujettis avant de réaliser une coupe.** Une modification du réglage de la lame pendant la coupe risque d'entraîner un coincement et un rebondissement de la lame.
- Procédez avec une prudence supplémentaire quand vous réalisez une coupe « en plongée » dans des murs déjà en place ou dans des pièces sans issue.** La lame saillante peut couper des objets, et ceci peut entraîner un rebond.

## CONSIGNES DE SÉCURITÉ RELATIVES AU PROTÈGE-LAME INFÉRIEUR

- Inspectez le protège-lame inférieur avant chaque utilisation pour vous assurer qu'il se ferme correctement. Ne faites pas fonctionner la scie si le protège-lame inférieur ne se déplace pas librement et ne se ferme pas instantanément.** Ne forcez jamais le protège-lame inférieur dans la position ouverte à l'aide d'un collier de serrage ou d'une attache. Il est possible que le protège-lame inférieur se torde en cas de chute accidentelle de la scie. Soulevez le protège-lame inférieur à l'aide de la poignée rétractable et assurez-vous qu'il se déplace sans problème et qu'il ne touche pas la lame ou une autre pièce, quel que soit l'angle ou la profondeur de la coupe.
- Vérifiez le fonctionnement du ressort du protège-lame inférieur. Si le protège-lame inférieur et le ressort ne fonctionnent pas correctement, ils doivent être réparés avant l'emploi.** Le protège-lame inférieur peut parfois mal fonctionner à cause de pièces endommagées, d'accumulation de résine ou de débris.
- Le protège-lame inférieur doit être rétracté à la main uniquement à l'occasion de coupes spéciales telles que les « coupes en plongée » ou les « coupes composées ».** Soulevez le protège-lame inférieur à l'aide la poignée rétractable et relâchez-le dès que la lame pénètre dans le matériau de l'ouvrage. Pour toute autre opération de sciage, le protège-lame inférieur doit fonctionner automatiquement.
- Vérifiez toujours que le protège-lame inférieur couvre la lame avant de placez la scie sur un banc ou sur le sol.** Une lame non protégée qui tourne librement entraînera le mouvement de la scie en marche arrière, ce qui provoquera la coupe de tout ce qui se trouve sur sa trajectoire. Soyez conscient du temps nécessaire à la lame pour s'arrêter une fois que la gâchette est relâchée.

## DIRECTIVES DE SÉCURITÉ SUPPLÉMENTAIRES

- **Utiliser des pinces ou tout autre moyen pratique de soutenir et de fixer solidement la pièce sur une plate-forme stable.** Tenir la pièce avec la main ou contre son corps n'est pas suffisamment stable et risque de provoquer une perte de maîtrise de l'outil.
- **Il faut se tenir de l'un ou l'autre côté de la lame de la scie et non dans sans trajectoire.** L'EFFET DE REBOND risque de faire rebondir la scie vers l'arrière (consulter les rubriques « Causes de l'effet de rebond et prévention par l'opérateur » et « EFFET DE REBOND »).
- **Éviter de couper des clous. Inspecter le bois et retirer tous les clous qui s'y trouvent avant d'entamer la découpe.**
- **Toujours s'assurer que rien ne nuit au mouvement du pare-main inférieur.**
- **Le régime nominal (vitesse) des accessoires doit au minimum égaler la vitesse recommandée sur l'étiquette d'avertissement de l'outil. Les meules et autres accessoires allant plus vite que le régime nominal peuvent être projetés et provoquer des blessures.** Le régime nominal des accessoires doit toujours se situer au-dessus de la vitesse de l'outil, tel que l'indique la plaque signalétique de l'outil.
- Toujours être certain que tous les composants sont montés adéquatement et solidement avant d'utiliser l'outil.
- Toujours manipuler soigneusement la lame de la scie au moment de la pose ou de la dépose.
- Toujours attendre le plein régime du moteur avant d'amorcer une coupe.
- Toujours maintenir les poignées sèches, propres et exemptes d'huile et de graisse. Tenir fermement l'outil à deux mains au moment de l'utiliser.
- Toujours être vigilant, surtout durant les opérations répétitives et monotones. Toujours être certain de la position de ses mains par rapport à la lame.
- Se tenir à l'écart des extrémités de la pièce, car des morceaux pourraient tomber après la coupe. Les morceaux peuvent être chauds, tranchants et/ou lourds. Il peut en résulter des blessures corporelles graves.
- Remplacer ou réparer les cordons endommagés. S'assurer que la rallonge est en bon état. Utiliser uniquement une rallonge à 3 fils pourvue d'une fiche de mise à la terre à 3 broches et d'une prise à 3 fentes correspondant à la fiche de l'outil.
- **Pour la sécurité de l'utilisateur, utiliser une rallonge de calibre adéquat (AWG ou American Wire Gauge [calibrage américain normalisé des fils]).** Plus le numéro de calibre de fil est petit et plus sa capacité est grande, par exemple un calibre 16 a plus de capacité qu'un calibre 18. Une rallonge de calibre inférieur causera une chute de tension de ligne et donc une perte de puissance et une surchauffe. Si plus d'une rallonge est utilisée pour obtenir la longueur totale, s'assurer que chaque rallonge présente au moins le calibre de fil minimum. Le tableau suivant indique le calibre approprié à utiliser selon la longueur de la rallonge et l'intensité nominale de la plaque signalétique. En cas de doute, utiliser le calibre suivant le plus gros. Plus le numéro de calibre est petit, plus le cordon est lourd.

### Calibre de fil minimum recommandé pour les rallonges

#### Longueur totale de la rallonge

25 pi	50 pi	75 pi	100 pi	125 pi	150 pi	175 pi
7,6 m	15,2 m	22,9 m	30,5 m	38,1 m	45,7 m	53,3 m

#### Calibre AWG

18	18	16	16	14	14	12
----	----	----	----	----	----	----

**⚠ ATTENTION :** La lame après l'éteindre. Des blessures graves peuvent en résulter.

**⚠ AVERTISSEMENT :** Toujours porter une protection auditive appropriée conformément à la norme ANSI S12.6 (S3.19) lors de l'utilisation du produit. Dans certaines conditions et selon la durée d'utilisation, le bruit émis par ce produit pourrait contribuer à une perte auditive.

**⚠ AVERTISSEMENT :** Toujours utiliser une protection oculaire appropriée. Tous les utilisateurs et les spectateurs doivent porter des lunettes de protection conforme à la norme ANSI Z87.1.

**⚠ AVERTISSEMENT :** TOUJOURS porter des lunettes de sécurité. Les lunettes de vue ne constituent PAS des lunettes de sécurité. Utiliser également un masque facial ou anti-poussière si l'opération de découpe génère de la poussière. **TOUJOURS PORTER UN ÉQUIPEMENT DE PROTECTION HOMOLOGUÉ :**

- protection oculaire conforme à la norme ANSI Z87.1 (CAN/CSA Z94.3);
- protection auditive ANSI S12.6 (S3.19);
- protection des voies respiratoires conformes aux normes NIOSH/OSHA/MSHA.

**⚠ AVERTISSEMENT** : certains outils électriques, tels que les sableuses, les scies, les meules, les perceuses ou certains autres outils de construction, peuvent produire de la poussière contenant des produits chimiques reconnus par l'État de la Californie comme étant susceptibles d'entraîner le cancer, des malformations congénitales ou pouvant être nocifs pour le système reproductif.

Parmi ces produits chimiques, on retrouve :

- le plomb dans les peintures à base de plomb,
- la silice cristalline dans les briques et le ciment et autres produits de maçonnerie,
- l'arsenic et le chrome dans le bois de sciage ayant subi un traitement chimique.

Le risque associé à de telles expositions varie selon la fréquence avec laquelle on effectue ces travaux. Pour réduire l'exposition à de tels produits, il faut travailler dans un endroit bien aéré et utiliser le matériel de sécurité approprié, tel un masque anti-poussières spécialement conçu pour filtrer les particules microscopiques.

- Éviter tout contact prolongé avec la poussière soulevée par cet outil ou autres outils électriques. Porter des vêtements de protection et nettoyer les parties exposées du corps avec de l'eau savonneuse. S'assurer de bien se protéger afin d'éviter d'absorber par la bouche, les yeux ou la peau des produits chimiques nocifs.

**⚠ AVERTISSEMENT** : Cet outil peut produire et répandre de la poussière susceptible de causer des dommages sérieux et permanents au système respiratoire. Toujours utiliser un appareil respiratoire anti-poussières approuvé par le NIOSH ou l'OSHA. Diriger les particules dans le sens opposé du visage et du corps.

## SYMBOLES

- L'étiquette apposée sur votre outil pourrait comprendre les symboles suivants. Les symboles et leurs définitions sont indiqués ci-après :

V..... volts

Hz.....hertz

min..... minutes

=== ou DC.....courant continu

ⓘ..... Construction de classe I  
(mis à la terre)

Ⓚ..... Construction de classe II

RPM ou .../min.....tours à la minute

👉..... Lire le mode d'emploi avant l'utilisation

👤..... Utiliser une protection respiratoire adéquate.

👁..... Utiliser une protection oculaire adéquate.

👂..... Utiliser une protection auditive adéquate.

A..... ampères

W..... watts

~ ou AC.....courant alternatif

⓪..... sous vide

Ⓜ..... borne de mise à la minute

⚠..... symbole d'avertissement

## PROTÉGEZ-VOUS DES EFFETS DE REBOUND

- **LES EFFETS DE REBOUND PEUVENT ÊTRE CAUSÉS** par pincements, torsions, accrochages ou blocages de scie durant une découpe. Si la lame est tordue ou mal alignée dans la coupe, les dents situées sur l'arête postérieure de la lame peuvent creuser dans la surface du bois et causer une escalade de la lame hors du trait de scie et un saut en direction de l'opérateur.

### POUR RÉDUIRE LE RISQUE D'EFFET DE REBOUND

- Serrer fermement la scie avec les deux mains en tout temps.

- Rester attentif – conserver la maîtrise de l'outil.

- Soutenir les longs matériaux qui dépassent. Lorsque le matériau est coupé et fragilisé, il s'affaissera et entraînera un pincement de lame.

- Soutenir les grands panneaux comme il est illustré (**fig. F**). Les pièces soutenues uniquement aux extrémités (**fig. E**) provoqueront un pincement de lame.

- Éviter de scier au-dessus de votre tête. Les matériaux peuvent fléchir et pincer la lame.

- S'assurer que le matériau à découper est serré (**figure H**), solidement soutenu et en équilibre sur une surface de travail solide, stable et mise à niveau. Soutenir la pièce de sorte que la plus large partie de la semelle de la scie soit sur la partie de la pièce qui ne tombe pas après réalisation de la coupe. Ne jamais tenir à la main la portion de la pièce qui sera coupée (**figure G**)

- Garder les lames aiguisées et propres.

- Utiliser un guide longitudinal ou à règle droite lors de sciage en long. Faire attention, car la bande découpée peut s'affaisser ou se tordre, fermer ainsi le trait de scie, pincer la lame et provoquer un EFFET DE REBOND.
- Ne pas forcer l'outil. Des paramètres du bois tels que nœuds, dureté, solidité, humidité, bois traité par pression et fraîchement coupé peuvent fortement charger la scie et provoquer un blocage. Pousser la scie plus lentement lorsque cela se produit.
- Ne pas retirer la scie de l'ouvrage pendant une opération de coupe lorsque la lame se déplace.
- Laisser la scie atteindre son plein régime avant de placer la lame en contact avec le matériau à couper. Un démarrage de la scie lorsque la lame est en contact avec la pièce ou dans le trait de coupe peut provoquer des blocages ou un mouvement soudain de la scie vers l'arrière.
- Ne jamais essayer de soulever la scie lors d'une opération de coupe biseautée. Cela provoque le grippage et le blocage de la lame.
- Fixer toujours votre ouvrage pour éviter tout mouvement durant la découpe.
- N'essayer pas de forcer la scie sur sa ligne si la coupe commence à dévier. Cela peut provoquer des EFFETS DE REBOND. Arrêter la scie et laisser la lame ralentir et s'immobiliser. La retirer du trait de coupe et entamer une nouvelle coupe sur la ligne.
- Régler la profondeur de la scie de telle sorte qu'une seule dent de la lame dépasse de la surface inférieure de l'ouvrage (**figure J**).
- Ne pas faire reculer une lame en rotation dans la coupe. Suite à une torsion de la scie, l'arête postérieure de la lame peut mordre dans le matériau, sortir de la pièce et se déplacer rapidement en direction de l'opérateur.
- Éviter de couper des clous. Inspecter le bois et retirer tous les clous qui s'y trouvent avant d'entamer la découpe.

#### UTILISATION PRÉVUE

Cette scie circulaire est conçue pour des applications de coupe de bois. Ne pas utiliser d'accessoires à l'eau avec cette scie. Ne pas utiliser de meules ou de lames abrasives. Ne pas utiliser dans des conditions humides ou en présence de liquides ou de gaz inflammables.

## DIRECTIVES DE SÉCURITÉ IMPORTANTES POUR LES CHARGEURS DE PILES

**CONSERVER CES DIRECTIVES** : ce mode d'emploi comprend d'importantes directives de sécurité pour les chargeurs de piles.

- Avant d'utiliser le chargeur, lire toutes les directives et tous les avertissements figurant sur le chargeur, le bloc-piles et le produit utilisé avec le bloc-piles.

⚠ **AVERTISSEMENT** : **risque de choc électrique**. Éviter la pénétration de tout liquide dans le chargeur.

⚠ **MISE EN GARDE** : **risque de brûlure**. Pour réduire le risque de blessures, charger uniquement les blocs-piles désignés au lithium-ion, de 20 V MAX., BLACK+DECKER. D'autres types de blocs-piles peuvent exploser, provoquant ainsi des blessures corporelles et des dommages.

⚠ **MISE EN GARDE** : dans certaines circonstances, lorsque le chargeur est branché au bloc d'alimentation, le chargeur peut être court-circuité par des corps étrangers conducteurs tels que, mais sans s'y limiter, la laine d'acier, le papier d'aluminium ou toute accumulation de particules métalliques. Ils doivent être maintenus à distance des ouvertures du chargeur. Débrancher systématiquement celui-ci si aucun bloc-piles n'y est inséré. Débrancher le chargeur avant tout nettoyage.

⚠ **AVERTISSEMENT** :

- **NE PAS tenter de charger le bloc-piles avec autre chose qu'un chargeur de marque.** *Les chargeurs et blocs-piles sont conçus spécialement pour fonctionner ensemble.*
- **Ces chargeurs doivent servir uniquement à la charge des blocs-piles rechargeables désignés au lithium-ion, de 20 V MAX., BLACK+DECKER.** *Toute autre utilisation risque de provoquer un incendie, une décharge électrique ou une électrocution.*
- **Protéger le chargeur de la pluie et de la neige.**
- **Tirer la fiche plutôt que le cordon pour débrancher le chargeur ou pour débrancher les cordons à l'aide de la fonction de guirlande.** *Cela permet de réduire le risque d'endommager la fiche ou le cordon d'alimentation.*
- **S'assurer que le cordon est situé en lieu sûr de manière à ce que personne ne marche ni ne trébuche dessus ou à ce qu'il ne soit pas endommagé ni soumis à une tension.**
- **Ne pas utiliser de rallonge à moins que cela ne soit absolument nécessaire.**

L'utilisation d'une rallonge inadéquate risque d'entraîner un incendie, un choc électrique ou une électrocution.

- **Pour la sécurité de l'utilisateur, utiliser une rallonge de calibre adéquat (AWG, American Wire Gauge [calibrage américain normalisé des fils]).** Plus le numéro de calibre de fil est petit et plus sa capacité est grande, par exemple un calibre 16 a plus de capacité qu'un calibre 18. Si plus d'une rallonge est utilisée pour obtenir la longueur totale, s'assurer que chaque rallonge présente au moins le calibre de fil minimum.
- **Ne pas mettre d'objet sur le chargeur ni mettre ce dernier sur une surface souple, ce qui pourrait causer l'obstruction des fentes de ventilation et, du fait, provoquer une chaleur interne excessive. Éloigner le chargeur de toute source de chaleur.** La ventilation du chargeur se fait par les fentes pratiquées dans les parties supérieures et inférieures du boîtier.
- **Ne pas installer le chargeur sur un mur ni le fixer de manière permanente sur toute surface.** Le chargeur est destiné à une utilisation sur une surface plane et stable (c.-à-d. un dessus de table ou d'établi).
- **Ne pas faire fonctionner le chargeur si la fiche ou le cordon est endommagé; les remplacer immédiatement.**
- **Ne jamais se servir d'un chargeur qui a subi un choc violent, qui est tombé par terre ou qui est endommagé de quelque manière que ce soit.** Le faire vérifier dans un centre de réparation autorisé.
- **Ne pas démonter le chargeur; confier l'entretien ou la réparation de l'appareil à un centre de réparation autorisé.** Le remontage non conforme du chargeur comporte des risques de choc électrique, d'électrocution ou d'incendie.
- **Débrancher le chargeur avant de le nettoyer.** Cela réduira le risque de choc électrique. Le risque ne sera pas éliminé en enlevant simplement le bloc-piles.
- **NE JAMAIS relier deux chargeurs ensemble.**
- **Le chargeur est conçu pour être alimenté en courant domestique standard (120 V). Ne pas utiliser une tension supérieure pour le chargeur.**

## CONSERVER CES DIRECTIVES

### DIRECTIVES DE SÉCURITÉ IMPORTANTES POUR LES BLOCS-PILES

⚠ **AVERTISSEMENT :** pour un fonctionnement sûr, lire le présent mode d'emploi et les manuels fournis avec l'outil avant d'utiliser le chargeur.

Le bloc-piles n'est pas complètement chargé à la sortie de l'emballage. Avant d'utiliser le bloc-piles et le chargeur, lire les directives de sécurité ci-après. Respecter ensuite les consignes de chargement décrites.

### LIRE TOUTES LES DIRECTIVES.

- **Ne pas incinérer le bloc-piles, même s'il est très endommagé ou complètement usé, car il peut exploser au contact de flammes.** Des vapeurs et des matières toxiques sont dégagées lorsque les blocs-piles au LI-ION sont incinérés.
- **Ne pas charger ou utiliser un bloc-piles dans un milieu déflagrant, en présence de liquides, de gaz ou de poussière inflammables.** Insérer ou retirer un bloc-piles du chargeur peut enflammer de la poussière ou des émanations.
- **Si le contenu de la pile entre en contact avec la peau, laver immédiatement la zone touchée au savon doux et à l'eau.** Si le liquide de la pile entre en contact avec les yeux, rincer l'oeil ouvert à l'eau pendant 15 minutes ou jusqu'à ce que l'irritation cesse. Si des soins médicaux sont nécessaires, l'électrolyte des piles au LI-ION est composé d'un mélange de carbonates organiques liquides et de sels de lithium. Quant aux piles au NI-CD, il est question d'une solution de 25 % à 35 % d'hydroxyde de potassium. Exposer la personne à de l'air frais. Si les symptômes persistent, obtenir des soins médicaux.
- **Le contenu des cellules de pile ouvertes peut provoquer une irritation respiratoire.** Exposer la personne à de l'air frais. Si les symptômes persistent, obtenir des soins médicaux.

⚠ **AVERTISSEMENT :** risque de brûlure. Le liquide du bloc-piles peut s'enflammer s'il est exposé à des étincelles ou à une flamme.

- **Charger les blocs-piles uniquement dans des chargeurs BLACK+DECKER.**
- **NE PAS éclabousser le bloc-piles ou l'immerger dans l'eau ou tout autre liquide.** Cela peut entraîner une défaillance prématurée de l'élément.
- **Ne pas ranger ni utiliser l'outil et le bloc-piles dans un endroit où la température peut atteindre ou dépasser les 40 °C (105 °F) (comme dans les remises extérieures ou les bâtiments métalliques en été).**

⚠ **AVERTISSEMENT :** ne jamais ouvrir le bloc-piles pour quelque raison que ce soit. Si le boîtier du bloc-piles est fissuré ou endommagé, ne pas l'insérer dans un

chargeur. Ne pas écraser, faire tomber ou endommager le bloc-piles. Ne pas utiliser un bloc-piles ou un chargeur qui a reçu un choc violent, qui est tombé, a été écrasé ou est endommagé de quelque manière que ce soit (p. ex. percé par un clou, frappé d'un coup de marteau, piétiné). Les blocs-piles endommagés doivent être envoyés au centre de réparation pour être recyclés.

**⚠ AVERTISSEMENT : risque d'incendie. Ne pas ranger ou transporter les piles de manière à ce que des objets métalliques puissent entrer en contact avec les bornes exposées des piles.** Par exemple, ne pas mettre un bloc-piles dans un tablier, une poche, une boîte à outils, une boîte de nécessaire de produit ou un tiroir contenant des objets tels que des clous, des vis ou des clés, car tout contact accidentel entre les bornes à découvert et un objet métallique conducteur comme une clé, une pièce de monnaie, un outil à main, etc. risque de provoquer un incendie. La Hazardous Material Regulations (réglementation sur les produits dangereux) du département américain des transports interdit en fait le transport des blocs-piles pour le commerce et dans les avions (c.-à-d. dans des valises et les bagages à main) À MOINS qu'ils ne soient bien protégés contre les courts-circuits. Pour le transport de piles individuelles, on doit donc s'assurer que les bornes sont protégées et bien isolées contre toute matière pouvant entrer en contact avec elles et provoquer un court-circuit. **REMARQUE : il ne faut pas laisser de piles au LI-ION dans les bagages enregistrés.**

## RECOMMANDATIONS EN MATIÈRE DE RANGEMENT

1. Le meilleur endroit de rangement est celui qui est frais et sec, loin de toute lumière directe du soleil et protégé d'une température extrême (chaleur ou froid).
2. Un entreposage prolongé ne nuira pas au bloc-piles ou au chargeur. Dans les conditions adéquates, on peut entreposer les piles au LI-ION pour une période de cinq ans ou plus.

## FIXATION MURALE

Ce chargeur est conçu pour être fixé au mur ou pour reposer à la verticale sur une table ou une surface de travail. Si le chargeur est fixé au mur, l'installer à proximité d'une prise électrique. Le fixer solidement à l'aide de vis à cloison sèche d'au moins 25,4 mm (1 po) de long. Les vis sont vissées dans le bois à une profondeur optimale de manière à laisser sortir les vis d'environ 5,5 mm (7/32 po).

## PROCÉDURE DE CHARGE

Les chargeurs BLACK+DECKER sont conçus pour charger les blocs-piles BLACK+DECKER.

1. Brancher le chargeur dans une prise appropriée avant d'insérer le bloc-piles.
2. Insérer le bloc-piles dans le chargeur.



3. Le voyant DEL clignotera indiquant que la pile est en cours de recharge.



4. La fin de la recharge est indiquée par le voyant qui demeurera allumé. Le bloc-piles est chargé à plein et peut être utilisé ou laissé sur le chargeur.

**Recharger les piles épuisées aussitôt que possible après leur utilisation pour prolonger leur durée de vie. Pour préserver le plus possible la durée de vie du bloc-piles, ne pas le décharger tout à fait.** Il est recommandé de recharger le bloc-piles après chaque utilisation.

## FONCTIONS DE DIAGNOSTIC DU CHARGEUR

Le chargeur est conçu pour détecter certains problèmes du bloc-piles ou de la source d'alimentation. Le type de clignotement du voyant de charge indique les problèmes.

## PILE EN MAUVAIS ÉTAT



Le chargeur est en mesure de détecter une pile faible ou endommagée. Le voyant DEL clignote selon la séquence code inscrite sur l'étiquette. Si la séquence code correspondant à une pile en mauvais état est en clignotement, cesser de recharger la pile. Il faut la retourner à un centre de réparation ou à un site de collecte pour le recyclage.

## FONCTION DE SUSPENSION DU BLOC-PILES CHAUD/FROID



Lorsque le chargeur détecte un bloc-piles trop chaud ou trop froid, il suspend automatiquement la recharge jusqu'au retour à la normale de la température de celui-ci. Une fois la température du bloc-piles revenue à la normale, le chargeur passe automatiquement au mode de recharge du bloc-piles. Cette fonction assure une durée de vie maximale des blocs-piles. Le voyant DEL clignote selon la séquence code inscrite sur l'étiquette.



## **BLOC-PILES LAISSÉ DANS LE CHARGEUR**

Le chargeur et le bloc-piles peuvent être laissés branchés, le voyant demeurant indéfiniment allumé. Le chargeur maintiendra le bloc-piles en bon état et complètement chargé. Le chargeur comporte un mode automatique de mise au point qui égalise ou équilibre chaque cellule du bloc-piles pour lui permettre de fonctionner à plein rendement. Les blocs-piles doivent être égalisés chaque semaine ou chaque fois que la durée de fonctionnement du bloc-piles diminue. Pour utiliser le mode automatique de mise au point, mettre le bloc-piles dans le chargeur et l'y laisser pendant au moins 8 heures.

## **REMARQUES IMPORTANTES POUR LE CHARGEMENT**

1. Pour augmenter la durée de vie du bloc-piles et optimiser son rendement, le charger à une température entre 18 et 24 °C (65 et 75 °F). NE PAS charger le bloc-piles à des températures inférieures à 4,5 °C (40 °F) ou supérieures à 40,5 °C (105 °F). Ces consignes sont importantes et permettent d'éviter d'endommager gravement le bloc-piles.

2. Le chargeur et le bloc-piles peuvent devenir chauds au toucher pendant la charge. Il s'agit d'un état normal et cela n'indique pas un problème. Pour faciliter le refroidissement du bloc-piles après son utilisation, éviter de mettre le chargeur ou le bloc piles dans un endroit chaud comme dans une remise métallique ou une remorque non isolée.

3. Si le bloc-piles ne se charge pas adéquatement, on doit :

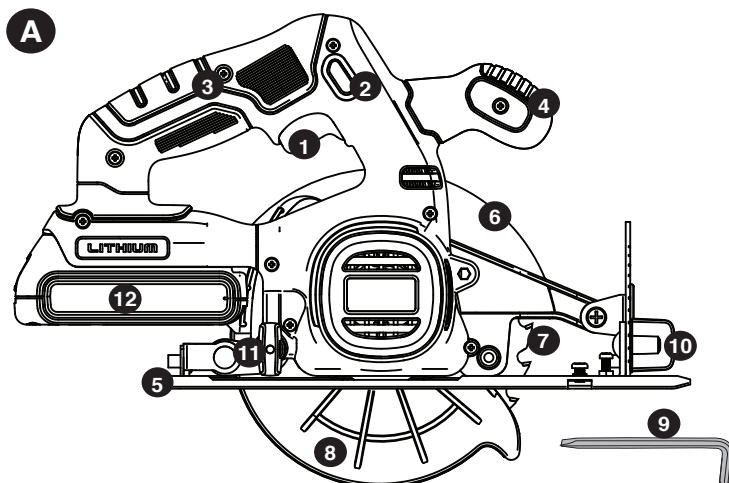
- a. vérifier le courant à la prise en branchant une lampe ou un autre appareil électrique;
- b. vérifier si la prise est reliée à un interrupteur mural qui la met hors tension lorsque la lumière sont éteinte;
- c. déplacer le chargeur et le bloc-piles dans un endroit où la température ambiante est entre 18 et 24 °C (65 et 75 °F);
- d. si le problème persiste, apporter ou envoyer l'outil, le bloc-piles et le chargeur au centre de réparation de votre région.

4. Le bloc-piles doit être rechargé lorsqu'il n'arrive pas à produire suffisamment de puissance pour des travaux qui étaient facilement réalisés auparavant. NE PAS CONTINUER à utiliser le bloc-piles dans ces conditions. Suivre les procédures de charge. On peut également recharger à tout moment un bloc-piles partiellement déchargé sans nuire à son fonctionnement.

5. Tout corps étranger conducteur, tel que notamment la laine d'acier, le papier d'aluminium, ou toute accumulation de particules métalliques, doit être maintenu à distance des ouvertures du chargeur. Débrancher systématiquement celui-ci si aucun bloc-piles n'y est inséré. Débrancher le chargeur avant tout nettoyage.

6. Ne pas congeler le chargeur, l'immerger ans l'eau ou dans tout autre liquide.

**⚠ AVERTISSEMENT : risque de choc électrique.** *ne jamais ouvrir le bloc-piles pour quelque raison que ce soit. Si le boîtier en plastique du bloc-piles est brisé ou fissuré, le retourner à un centre de réparation pour qu'il soit recyclé.*



## DESCRIPTION FONCTIONNELLE

1. INTERRUPTEUR MARCHÉ/ARRÊT
2. BOUTON DE VERROUILLAGE
3. POIGNÉE PRINCIPALE
4. POIGNÉE SECONDAIRE
5. SEMELLE
6. PROTÈGE-LAME SUPÉRIEUR
7. LAME DE SCIE
8. PROTÈGE-LAME
9. CLÉ

## FIGURE A

10. POIGNÉE D'AJUSTEMENT DE BISEAU
11. POIGNÉE D'AJUSTEMENT DE PROFONDEUR
12. BLOC-PILES
13. DISPOSITIF DE VERROUILLAGE DE LA BROCHE (NON ILLUSTRÉ)
14. ÉCHELLE DE RÉGLAGE DE PROFONDEUR (NON ILLUSTRÉ)

Ce produit peut être utilisé avec les modèles de blocs-piles et de chargeurs énumérés dans le tableau ci-après.

### Bloc-piles au lithium-ion et chargeur

Description	le numéro de catalogue
Bloc-piles au lithium-ion de 20 V max* :	LBXR20 LB20 / LBX20
Chargeur de bloc-piles au lithium-ion, de 20 V max* :	LCS20 LCS1620
Chargeur rapide de 2A:	L2AFC L2AFCBST

## PRÉPARATION POUR L'ASSEMBLAGE ET LE RÉGLAGE UTILISATION PRÉVUE

Cette scie circulaire est conçu pour do-it-yourself, les applications de découpe de bois.

**⚠ AVERTISSEMENT :** Ne pas couper des métal, la maçonnerie, le verre, le carrelage ou en plastique avec cette scie. Une lame émoussée va provoquer lent, inefficace surcharge de coupe sur le moteur de la scie, fragmentation excessive et pourrait augmenter le risque de recul.

- Ne pas utiliser de lame abrasives.
- Utilisez uniquement des lames conçues pour la coupe de bois.
- NE PAS utiliser dans des conditions humides ou dans la prescience de liquides ou gaz inflammables.
- Ne pas laisser les enfants entrent en contact avec l'outil.

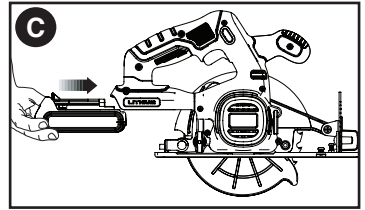
La supervision est nécessaire lorsque les utilisateurs inexpérimentés d'utiliser l'outil.

**⚠ AVERTISSEMENT :** POUR RÉDUIRE LE RISQUE DE BLESSURES, TOUJOURS RETIRER LE BLOC-PILES DE LA SCIE AVANT N'IMPORTE LEQUEL DES RÉGLAGES QUI SUIVENT.

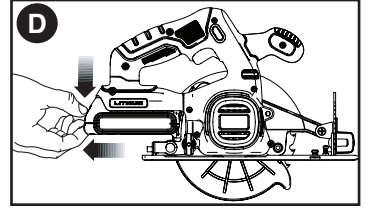
## INSERTION ET RETRAIT DU BLOC-PILES DE L'OUTIL

⚠ **AVERTISSEMENT** : S'assurer que le bouton de verrouillage est bien engagé pour empêcher l'utilisation de l'interrupteur lors de la pose et du retrait du bloc-piles.

**INSERTION DU BLOC-PILES** : insérer le bloc-piles dans l'outil, comme montré à la **figure C**. Assurer la batterie est bien en place et bien enclenché en position.

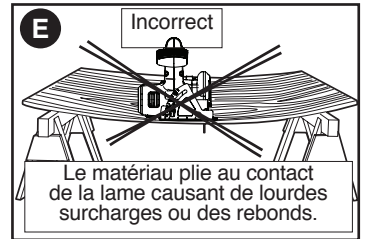


**RETRAIT DU BLOC-PILES** : Enfoncer le bouton de dégagement du bloc-piles, comme montré à la **figure D**, puis retirer le bloc-piles de l'outil.

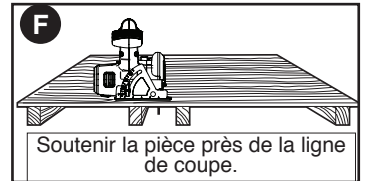


## SOUTIEN DE GRANDS PANNEAUX/FIXATION DE LA PIÈCE

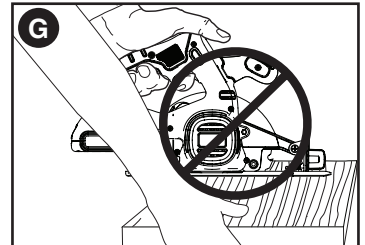
Soutenir les grands panneaux pour réduire le risque de pincement et d'effet de rebond de la lame. Les grands panneaux s'affaissent sous leur propre poids, comme montré à la **figure E**.



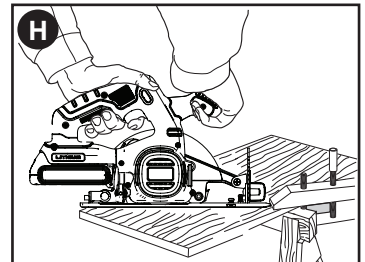
Installer des pièces d'appui sous le panneau, des deux cotés, près de la ligne de coupe et du bord du panneau (**figure F**).



Ne jamais tenir la pièce dans ses mains ou la placer de travers sur ses jambes pour la couper (**figure G**).



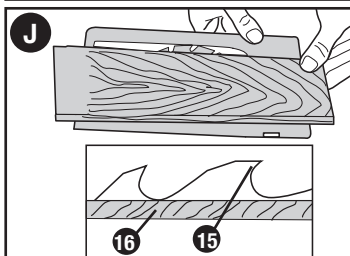
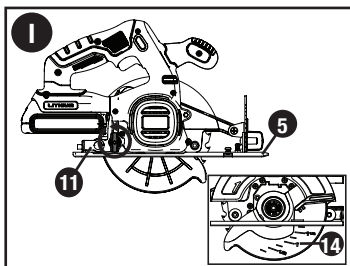
Fixer solidement la pièce à une plateforme stable, comme montré à la **figure H**. Il est important de soutenir la pièce correctement afin de minimiser l'exposition des parties du corps à la lame, de coincer celle-ci ou de perdre la maîtrise de l'outil.



## RÉGLAGE DE LA PROFONDEUR DE COUPE - FIGURES I ET J

La profondeur de la coupe doit être réglée selon l'épaisseur de la pièce.

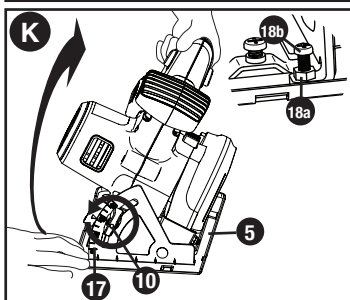
- Desserrer le bouton ou le levier de réglage de profondeur (11) pour débloquer la semelle de la scie (5) comme montré à la **figure I**.
- Mettre la semelle de la scie dans la position désirée. La profondeur de coupe correspondante peut être lue sur l'échelle (14).
- Serrer le bouton ou le levier pour verrouiller la semelle de la scie en place.
- Régler l'ajustement de profondeur de la scie de sorte qu'une seule dent (15) de la lame dépasse de la surface inférieure de la pièce (16) tel qu'illustré à la **figure J**.



## RÉGLAGE DE L'ANGLE DE BISEAU - FIGURE K

La scie peut être réglée pour des angles de biseau entre 0° et 50°.

- Desserrer le bouton de verrouillage de biseautage (10) pour déverrouiller la semelle de la scie.
- Mettre la semelle de la scie (5) dans la position désirée. L'angle de biseau correspondant peut être lu sur l'échelle (17).
- Serrer le bouton de réglage de biseautage (10) pour verrouiller la semelle de la scie en position.
- Confirmer la précision du réglage en vérifiant l'angle de biseau en coupant une pièce de chute.

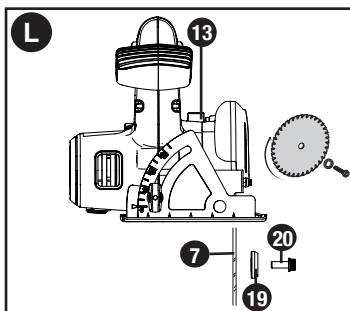


## RÉGLAGE DE LA SEMELLE POUR LES COUPES DE 90°

La chaussure (5) a été fixé par l'usine pour assurer que la lame est perpendiculaire à la chaussure, à 0° réglage de biseau.

SI UN RÉGLAGE SUPPLÉMENTAIRE S'AVÈRE NÉCESSAIRE, ON DOIT :

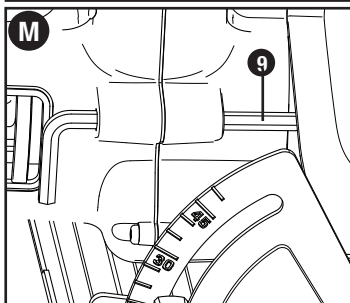
- Régler la scie à un angle de biseautage de 0°.
- Relever le protège-lame (8).
- Desserrer le bouton de réglage du biseautage de la scie (10). Déposer une équerre contre la lame (7) et la semelle (5) pour l'ajuster à 90°.
- Desserrer le contre-écrou (18a) et déplacer la vis de réglage (18b) (encadré **figure K**) de sorte que la semelle s'arrête au bon angle. Resserrer le contre-écrou contre la chaussure tout en maintenant la vis de réglage en position.
- Confirmer la précision du réglage en vérifiant la perpendicularité en coupant une pièce de chute.



## FIXATION ET RETRAIT DE LA LAME - FIGURE L - M

- Relever le protège-lame inférieur et insérer la lame (10) et les rondelle de fixation (21) comme illustré à la **figure L**.
- Enfoncer le dispositif de verrouillage de la broche (16) tout en tournant la broche de la scie avec la clé de scie (12) jusqu'à ce que le verrou de la lame s'engage et que la lame s'immobilise.

**REMARQUE :** la clé de la lame est rangée dans le boîtier de la scie comme illustré à la **figure M**.



- Serrer solidement la vis de serrage de la lame (24) avec la clé de la lame.  
**REMARQUE** : Boulon a un filetage à gauche. Pour desserrer, tourner dans le sens horaire. Pour serrer, tournez dans le sens antihoraire.  
**REMARQUE** : ne jamais enclencher le verrou de la lame alors que la scie fonctionne ou de l'utiliser pour immobiliser l'outil. Ne jamais mettre la scie en marche avec le dispositif de verrouillage de la lame engagé. Ces actions pourront se solder par de graves dommages à la scie.

## PROTÈGE-LAME INFÉRIEUR

**⚠ AVERTISSEMENT** : risque de lacération. Le protège-lame inférieur est un dispositif de sécurité qui réduit le risque de blessures corporelles graves. Ne jamais utiliser la scie lorsque le protège-lame inférieur est manquant, endommagé, mal assemblé ou en mauvais état de fonctionnement. Ne pas se fier sur le protège-lame inférieur pour se protéger en toutes circonstances. Pour assurer sa propre sécurité, respecter tous les avertissements et les mesures de précaution et utiliser correctement la scie. Vérifier le protège-lame inférieur avant chaque utilisation afin de s'assurer qu'il se ferme correctement tel que décrit sous la rubrique « Règles de sécurité supplémentaires pour les scies circulaires ». En cas d'absence ou d'un mauvais fonctionnement du protège-lame, veuillez faire réparer la scie avant son utilisation. Pour garantir la sécurité et la fiabilité du produit, confier les réparations, l'entretien et le réglage à un centre de réparation autorisé ou tout autre centre de réparation professionnel. On ne doit utiliser que des pièces de rechange identiques.

**⚠ AVERTISSEMENT** : pour réduire le risque de blessure aux yeux, toujours porter une protection oculaire. Le carbure est un matériel dur mais fragile et les matières étrangères présentes dans la pièce, comme des fils ou des clous, peuvent fendre ou briser les pointes. Utiliser la scie uniquement avec le protège-lame en place. Bien assembler et fixer la lame dans la bonne position de rotation avant son utilisation. Toujours utiliser une lame propre et bien affûtée.

**⚠ AVERTISSEMENT** : pour éviter toute blessure, il est important que la pièce soit stable et que vous teniez la scie fermement afin d'en conserver la maîtrise. La figure H illustre une technique de prise de main commune.

## FONCTIONNEMENT

**⚠ AVERTISSEMENT** : pour réduire le risque de blessure personnelle grave, lire, comprendre et suivre tous les avertissements de sécurité importants et toutes les directives avant d'utiliser.

## SÉLECTION DE LA LAME

La scie circulaire utilise des lames de 140 mm (5 1/2 po) de diamètre ayant un alésage de 10 mm (3/8 po) de diamètre. Les lames à utiliser doivent être prévues pour un régime minimum de 6000 tr/min. NE PAS utiliser de meules abrasives.

## COUPES GÉNÉRALES

**⚠ AVERTISSEMENT** : Débrancher le chargeur avant de le nettoyer. Cela réduira le risque de choc électrique. Le risque ne sera pas éliminé en enlevant simplement le bloc-piles. S'assurer que le protège-lame inférieur fonctionne. Sélectionner la lame appropriée au matériau à découper.

- Mesurer et marquer le bois à découper.
- Soutenir et fixer solidement la pièce (voir Règles de sécurité et instructions).
- Utiliser le matériel de sécurité approprié et requis (voir Règles de sécurité).
- Protéger et entretenir la zone de travail (voir Règles de sécurité).
- Insérer le bloc-piles et s'assurer que la détente de la scie fonctionne.

## DÉTENTE

La scie dispose d'un mécanisme de blocage de l'interrupteur marche/arrêt (détente) pour prévenir un fonctionnement involontaire.

- Pour utiliser l'outil, enfoncer le bouton de verrouillage (2) d'un côté ou l'autre de la scie et le maintenir ainsi alors que vous enfoncez la détente (1).
- Une fois que la détente est enfoncée et que l'outil est en marche, relâcher le bouton de verrouillage. L'outil continuera de fonctionner tant que la détente sera enfoncée.
- Pour l'éteindre, simplement la relâcher.

**REMARQUE** : il n'est pas possible de bloquer l'outil en positionnement de marche, et la détente ne doit jamais être bloquée par aucun moyen.

## FREIN ÉLECTRIQUE AUTOMATIQUE

La scie est dotée d'un frein de lame électrique automatique qui arrête la lame de la scie dans les 1-2 secondes qui suivent le relâchement de la détente. La fonction est automatique et n'exige aucun réglage.

## SCIAGE

**⚠ AVERTISSEMENT** : pour réduire le risque de blessures corporelles graves, toujours tenir l'outil des deux mains.

- Laisser la lame fonctionner librement quelques secondes avant de commencer la coupe.
- Appuyer légèrement sur l'outil tout en effectuant la coupe.
- Travailler en appuyant la semelle sur la pièce.

## CONSEILS POUR UNE UTILISATION OPTIMALE

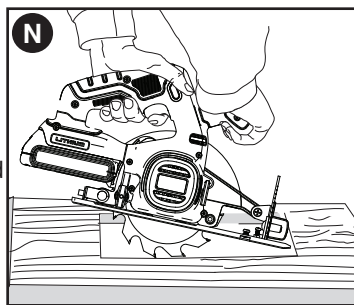
- Comme il est impossible d'éviter des éclats le long de la ligne de coupe sur la partie supérieure de l'ouvrage, couper sur le côté où les éclats sont tolérés.
- Lorsque les éclats doivent être limités, par exemple lors de la coupe de stratifiés, fixer une planche de contreplaqué sur la partie supérieure de l'ouvrage.

## DÉCOUPE EN POCHE (FIGURE N)

**⚠ AVERTISSEMENT** : Ne jamais fixer le protège-lame en position élevée. Ne jamais déplacer la scie vers l'arrière lors de la coupe en poche, car elle peut alors se soulever de la pièce, ce qui risque de provoquer une blessure.

Une coupe de poche est celle qui est faite lorsque le bord du matériau ne pousse pas la garde inférieure ouverte, mais le bord inférieur de la lame coupe en rotation dans le milieu de la matière.

- Régler la plaque d'assise de la scie de sorte que la lame coupe à la profondeur voulue.
- Incliner la scie vers l'avant et faire reposer la partie avant de la plaque d'assise sur la pièce à couper.
- Au moyen du levier d'escamotage, relever le pare-main inférieur. Abaisser l'arrière de la plaque d'assise jusqu'à ce que les dents de la lame touchent presque le trait de coupe.
- Relâcher le pare-main (son contact avec la pièce permettra de le maintenir en place et de l'ouvrir librement au moment d'amorcer la coupe). Cesser de tenir le levier du pare-main et saisir fermement la poignée auxiliaire (4) comme le montre la **figure N**. Se placer le corps et la main de manière à pouvoir résister à tout effet de rebond si cela se produit.
- S'assurer que la lame ne touche pas la surface à couper avant le démarrage de la scie.
- Démarrer le moteur et abaisser lentement la scie jusqu'à ce que la plaque d'assise repose à plat contre la pièce à couper. Avancer la scie le long de la ligne de coupe jusqu'à ce que la coupe soit terminée.
- Relâcher la gâchette et attendre que la lame s'immobilise complètement, puis retirer la lame de la pièce.
- Lors de l'amorce d'une nouvelle coupe, répéter les étapes précédentes.



## DÉPANNAGE

### Problème

- L'appareil refuse de démarrer.
  
  
  
- Le bloc-piles ne se charge pas.

### Cause possible

- Mauvaise installation du bloc-piles.
- Bloc-piles non chargé.
  
  
- Bloc-piles non inséré dans le chargeur.
  
  
- Chargeur non branché.

### Solution possible

- Vérifier l'installation du bloc-piles.
- Vérifier les exigences de charge pour le bloc-piles.
- Insérer le bloc-piles dans le chargeur de sorte que le voyant DEL rouge apparaisse.
- Brancher le chargeur dans une prise qui fonctionne. Se reporter à « Remarques importantes de chargement » pour plus de renseignements.

- Température ambiante.

- Si les chargeurs sont reliés à un cordon multiprise, vérifier toutes les connexions.
- Déplacer le chargeur et la pile dans un endroit où la température de l'air ambiant est supérieure à 4,5 °C (40 °F) et inférieure à 40,5 °C (105 °F).

## REMARQUES SPÉCIALES SUR L'EMPLOI AVEC DES PILES AU LITHIUM

• L'appareil s'éteint soudainement.

Le bloc-piles a atteint sa limite thermique maximale.

• Bloc-piles épuisé. (**Pour maximiser la durée de vie du bloc-piles, celui-ci est conçu pour s'éteindre soudainement lorsqu'il est épuisé.**)

• Laisser le bloc-piles refroidir.

• Placer dans le chargeur le temps d'une charge.

Pour de l'aide avec l'outil, consulter notre site Web [www.blackanddecker.com](http://www.blackanddecker.com) pour l'emplacement du centre de réparation le plus près ou communiquer avec l'assistance BLACK+DECKER au **1-800-544-6986**.

## ENTRETIEN

Nettoyer l'outil seulement à l'aide d'un savon doux et d'un linge humide. Ne laisser aucun liquide s'infiltrer dans l'outil et ne jamais immerger l'outil.

**IMPORTANT** : Pour assurer la SÉCURITÉ D'EMPLOI et la FIABILITÉ de l'outil, n'en confier la réparation, l'entretien et les rajustements qu'à un centre de service ou à un atelier d'entretien autorisé n'utilisant que des pièces de rechange identiques.

## ACCESSOIRES

Les détaillants et le centre de service de la région vendent les accessoires recommandés pour l'outil. Pour trouver un accessoire, composer le **1 800 544-6986**.

**⚠ AVERTISSEMENT** : L'utilisation de tout accessoire non recommandé pour l'outil peut être dangereuse.

## LE SCEAU RBRC<sup>MC</sup>

Le sceau SRPRC<sup>MC</sup> (Société de Recyclage des Piles Rechargeables au Canada) sur la pile lithium-ion (ou sur le bloc-piles) indique que son coût de recyclage (ou celui du bloc-piles) à la fin de sa vie utile sera payé par BLACK+DECKER. Dans certaines régions, il est illégal de jeter les piles lithium-ion dans les poubelles ou dans le système municipal d'évacuation des résidus solides. Le programme RBRC représente donc une alternative sensibilisée à l'environnement.

La SRPRC en collaboration avec BLACK+DECKER et d'autres utilisateurs de piles ont établi aux États-Unis et au Canada des programmes facilitant la cueillette des piles lithium-ion épuisées. Aidez-nous à protéger l'environnement et à conserver nos ressources naturelles en retournant l'outil à un centre de réparation BLACK+DECKER pour qu'elles soient recyclées. Vous pouvez aussi communiquer avec votre centre local de recyclage qui vous fera part du lieu de disposition de vos batteries épuisées ou composer le numéro **1-800-8-BATTERY**.



Cet appareil numérique de la classe B est conforme à la norme NMB-003 du Canada.

Cet appareil est conforme aux dispositions du paragraphe 15 des règlements de la FCC. Son fonctionnement est régi par les deux conditions suivantes : (1) Cet appareil ne peut pas causer d'interférence nuisible et (2) cet appareil doit accepter toutes les interférences reçues, y compris celles qui risquent d'en gêner le fonctionnement.

**REMARQUE** : ce matériel a été testé et a été déclaré conforme aux limites en vigueur concernant les dispositifs numériques de classe B, en vertu de la partie 15 de la réglementation FCC. Ces limites visent à assurer une protection raisonnable contre tout brouillage nuisible dans une installation résidentielle. Ce matériel produit, consomme

et peut émettre une énergie de radiofréquence et, s'il n'est pas installé et utilisé conformément aux directives qui l'accompagnent, il peut entraîner un brouillage nuisible des communications radio. Cependant, nous ne garantissons pas l'absence de brouillage dans tous les types d'environnement. Si, après avoir effectué une vérification en mettant l'appareil hors tension puis sous tension, l'utilisateur s'aperçoit que ce matériel provoque un brouillage nuisible à la réception des signaux de radio ou de télévision, il lui faudra essayer de corriger ce brouillage en prenant une ou plusieurs des mesures ci-dessous :

- Réorienter ou repositionner l'antenne de réception.
- Éloigner le plus possible le matériel du récepteur.
- Brancher le matériel dans une prise électrique située sur un circuit différent de celui du récepteur.
- Consulter le distributeur ou un technicien radio/télévision expérimenté pour obtenir de l'aide.

Tout changement ou toute modification à cet appareil qui n'est pas expressément approuvé par l'institution responsable de la conformité peut faire annuler le droit de l'utilisateur d'utiliser ce matériel. Cet appareil numérique de la classe B est conforme à la norme NMB-003 du Canada.

### **INFORMATION SUR LES RÉPARATIONS**

Tous les centres de réparation BLACK+DECKER sont dotés de personnel qualifié en matière d'outillage électrique; ils sont donc en mesure d'offrir à leur clientèle un service efficace et fiable. Que ce soit pour un avis technique, une réparation ou des pièces de rechange authentiques installées en usine, communiquer avec l'établissement BLACK+DECKER le plus près de chez vous. Pour trouver l'établissement de réparation de votre région, composer le numéro suivant : **1-800-544-6986** ou consulter le site [www.blackanddecker.com](http://www.blackanddecker.com)

### **GARANTIE LIMITÉE DE DEUX ANS POUR UNE UTILISATION DOMESTIQUE**

Black & Decker (É.-U.) Inc. garantit ce produit pour une durée de deux ans contre tout défaut de matériau ou de fabrication. Le produit défectueux sera remplacé ou réparé sans frais de l'une des deux façons suivantes :

La première façon consiste en un simple échange chez le détaillant qui l'a vendu (pourvu qu'il s'agisse d'un détaillant participant). Tout retour doit se faire durant la période correspondant à la politique d'échange du détaillant (habituellement, de 30 à 90 jours après l'achat). Une preuve d'achat peut être requise. Vérifier auprès du détaillant pour connaître sa politique concernant les retours hors de la période définie pour les échanges.

La deuxième option est d'apporter ou d'envoyer le produit (transport payé d'avance) à un centre de réparation autorisé ou à un centre de réparation de BLACK+DECKER pour faire réparer ou échanger le produit, à notre discrétion. Une preuve d'achat peut être requise.

Cette garantie ne s'applique pas aux accessoires. Cette garantie vous accorde des droits légaux spécifiques et vous pourriez avoir d'autres droits qui varient d'un État ou d'une province à l'autre. Pour toute question, communiquer avec le directeur du centre de réparation BLACK+DECKER le plus près de chez vous. Ce produit n'est pas destiné à un usage commercial.

**REMPACEMENT GRATUIT DES ÉTIQUETTES D'AVERTISSEMENT** : si les étiquettes d'avertissement deviennent illisibles ou sont manquantes, composer le **1-800-544-6986** pour en obtenir le remplacement gratuit.

Imported by / Importé par  
Black & Decker Canada Inc.  
100 Central Ave.  
Brockville (Ontario) K6V 5W6



# BLACK+ DECKER™

## SIERRA CIRCULAR DE 140 MM (5 1/2 PULG.) Y CON BATERÍA DE IONES DE LITIO DE 20 V MAX.\* MANUAL DE INSTRUCCIONES

### CATÁLOGO N° BDCCS20

**Gracias por elegir BLACK+DECKER!**

Visite [www.BlackandDecker.com/NewOwner](http://www.BlackandDecker.com/NewOwner) para registrar su nuevo producto.

**LEA EL MANUAL ANTES DE DEVOLVER ESTE PRODUCTO POR CUALQUIER MOTIVO:**

Si tiene una consulta o algún inconveniente con su producto BLACK+DECKER, visite <http://www.blackanddecker.com/instantanswers> para obtener respuestas instantáneas las 24 horas del día.

Si no encuentra la respuesta o no tiene acceso a Internet, llame al 1-800-544-6986 de lunes a viernes de 8 a. m. a 5 p. m. hora del Este para hablar con un agente.

Cuando llame, tenga a mano el número de catálogo.

Para comprar un filtro de repuesto llame al 1-888-678-7278.

**CONSERVE ESTE MANUAL PARA FUTURAS CONSULTAS.  
SÓLO PARA USO DOMÉSTICO.**

\*El máximo voltaje inicial del paquete de baterías (medido sin una carga de trabajo) es 20 voltios. La tensión nominal es de 18.

### PAUTAS DE SEGURIDAD/DEFINICIONES

Es importante que lea y comprenda este manual. La información que contiene se relaciona con la protección de SU SEGURIDAD y la PREVENCIÓN DE PROBLEMAS. Los símbolos que siguen se utilizan para ayudarlo a reconocer esta información.

**⚠ PELIGRO:** indica una situación de peligro inminente que, si no se evita, provocará la muerte o lesiones graves.

**⚠ ADVERTENCIA:** indica una situación de peligro potencial que, si no se evita, provocará la muerte o lesiones graves.

**⚠ PRECAUCIÓN:** indica una situación de peligro potencial que, si no se evita, provocará lesiones leves o moderadas.

**AVISO:** utilizado sin el símbolo de alerta de seguridad indica una situación de peligro potencial que, si no se evita, puede provocar daños en la propiedad.

# Advertencias generales de seguridad para herramientas eléctricas

**⚠️ ADVERTENCIA:** Lea todas las advertencias de seguridad e instrucciones. El incumplimiento de las advertencias e instrucciones puede provocar descargas eléctricas, incendios o lesiones graves.

**Conservar todas las advertencias e instrucciones para futuras consultas.** El término "herramienta eléctrica" incluido en las advertencias hace referencia a las herramientas eléctricas operadas con corriente (con cable eléctrico) o a las herramientas eléctricas operadas con baterías (inalámbricas).

## 1) Seguridad en el área de trabajo

- a) **Mantenga el área de trabajo limpia y bien iluminada.** *Las áreas abarrotadas y oscuras propician accidentes.*
- b) **No opere herramientas eléctricas en atmósferas explosivas, como ambientes donde se encuentran líquidos, gases o polvo inflamables.** *Las herramientas eléctricas originan chispas que pueden encender el polvo o los vapores.*
- c) **Mantenga a los niños y espectadores alejados de la herramienta eléctrica en funcionamiento.** *Las distracciones pueden provocar la pérdida de control.*

## 2) Seguridad eléctrica

- a) **Los enchufes de la herramienta eléctrica deben adaptarse al tomacorriente. Nunca modifique el enchufe de ninguna manera. No utilice ningún enchufe adaptador con herramientas eléctricas con conexión a tierra.** *Los enchufes no modificados y que se adaptan a los tomacorrientes reducirán el riesgo de descarga eléctrica.*
- b) **Evite el contacto corporal con superficies puestas a tierra, como por ejemplo tuberías, radiadores, rangos y refrigeradores.** *Existe mayor riesgo de descarga eléctrica si su cuerpo está puesto a tierra.*
- c) **No exponga las herramientas eléctricas a la lluvia o a condiciones de humedad.** *Si ingresa agua a una herramienta eléctrica, aumentará el riesgo de descarga eléctrica.*
- d) **No maltrate al cable. Nunca utilice el cable para transportar, tirar o desconectar la herramienta eléctrica. Mantenga el cable lejos del calor, aceite, bordes afilados o piezas móviles.** *Los cables dañados o enredados aumentan el riesgo de descarga eléctrica.*
- e) **Al operar una herramienta eléctrica en el exterior, utilice un cable prolongador adecuado para tal uso.** *Utilice un cable adecuado para uso en exteriores a fin de reducir el riesgo de descarga eléctrica.*
- f) **Si el uso de una herramienta eléctrica en un lugar húmedo es imposible de evitar, utilice un suministro protegido con un interruptor de circuito por falla a tierra (GFCI).** *El uso de un GFCI reduce el riesgo de descargas eléctricas.*

## 3) Seguridad personal

- a) **Permanezca alerta, controle lo que está haciendo y utilice el sentido común cuando emplee una herramienta eléctrica.** *No utilice una herramienta eléctrica si está cansado o bajo el efecto de drogas, alcohol o medicamentos. Un momento de descuido mientras se opera una herramienta eléctrica puede provocar lesiones personales graves.*
- b) **Utilice equipos de protección personal. Siempre utilice protección para los ojos.** *En las condiciones adecuadas, el uso de equipos de protección, como máscaras para polvo, calzado de seguridad antideslizante, cascos o protección auditiva, reducirá las lesiones personales.*
- c) **Evite el encendido por accidente. Asegúrese de que el interruptor esté en la posición de apagado antes de conectarlo a la fuente de energía o paquete de baterías, o antes de levantar o transportar la herramienta.** *Transportar herramientas eléctricas con el dedo apoyado en el interruptor o enchufar herramientas eléctricas con el interruptor en la posición de encendido puede propiciar accidentes.*
- d) **Retire las clavijas de ajuste o llaves de tuercas antes de encender la herramienta eléctrica.** *Una llave de tuercas o una clavija de ajuste que se deje conectada a una pieza giratoria de la herramienta eléctrica pueden provocar lesiones personales.*
- e) **No se estire. Conservar el equilibrio adecuado y manténgase parado correctamente en todo momento.** *Esto permite un mejor control de la herramienta eléctrica en situaciones inesperadas.*
- f) **Use la vestimenta adecuada. No use ropas holgadas ni joyas. Mantenga el cabello, la ropa y los guantes alejados de las piezas en movimiento.** *Las*

*ropas holgadas, las joyas o el cabello largo pueden quedar atrapados en las piezas en movimiento.*

- g) Si se suministran dispositivos para la conexión de accesorios con fines de recolección y extracción de polvo, asegúrese de que estén conectados y que se utilicen correctamente. *El uso de dispositivos de recolección de polvo puede reducir los peligros relacionados con el polvo.*
- 4) **Uso y mantenimiento de la herramienta eléctrica**
- a) **No fuerce la herramienta eléctrica. Utilice la herramienta eléctrica correcta para el trabajo que realizará.** *La herramienta eléctrica correcta hará el trabajo mejor y más seguro a la velocidad para la que fue diseñada.*
- b) **No utilice la herramienta eléctrica si no puede encenderla o apagarla con el interruptor.** *Toda herramienta eléctrica que no puede ser controlada mediante el interruptor es peligrosa y debe ser reparada.*
- c) **Desconecte el enchufe de la fuente de energía y/o el paquete de baterías de la herramienta eléctrica antes de realizar ajustes, cambiar accesorios o almacenar herramientas eléctricas.** *Estas medidas de seguridad preventivas reducen el riesgo de encender la herramienta eléctrica en forma accidental.*
- d) **Guarde las herramientas eléctricas que no están en uso fuera del alcance de los niños y no permite que otras personas no familiarizadas con ella o con estas instrucciones operen la herramienta.** *Las herramientas eléctricas son peligrosas en las manos de usuarios no entrenados.*
- e) **Mantenimiento de las herramientas eléctricas. Controle que no haya piezas móviles mal alineadas o trabadas, piezas rotas y toda otra situación que pueda afectar el funcionamiento de las herramientas eléctricas. Si encuentra daños, haga reparar la herramienta eléctrica antes de utilizarla.** *Se producen muchos accidentes a causa de las herramientas eléctricas que carecen de un mantenimiento adecuado.*
- f) **Mantenga las herramientas de corte afiladas y limpias.** *Las herramientas de corte con mantenimiento adecuado, con los bordes de corte afilados son menos propensas a trabarse y son más fáciles de controlar.*
- g) **Utilice la herramienta eléctrica, los accesorios y las brocas de la herramienta, etc. de acuerdo con estas instrucciones y teniendo en cuenta las condiciones de trabajo y el trabajo que debe realizarse.** *El uso de la herramienta eléctrica para operaciones diferentes de aquéllas para las que fue diseñada podría originar una situación peligrosa.*
- 5) **Uso y mantenimiento de la herramienta con baterías**
- a) **Recargue solamente con el cargador especificado por el fabricante.** *Un cargador adecuado para un tipo de paquete de baterías puede originar riesgo de incendio si se utiliza con otro paquete de baterías.*
- b) **Utilice herramientas eléctricas sólo con paquetes de baterías específicamente diseñados.** *El uso de cualquier otro paquete de baterías puede producir riesgo de incendio y lesiones.*
- c) **Cuando no utilice el paquete de baterías, manténgalo lejos de otros objetos metálicos como sujetapapeles, monedas, llaves, clavos, tornillos u otros objetos metálicos pequeños que puedan realizar una conexión desde un terminal al otro.** *Los cortocircuitos en los terminales de la batería pueden provocar quemaduras o incendio.*
- d) **En condiciones abusivas, el líquido puede ser expulsado de la batería. Evite su contacto. Si entra en contacto accidentalmente, enjuague con agua. Si el líquido entra en contacto con sus ojos, busque atención médica.** *El líquido expulsado de la batería puede provocar irritación o quemaduras.*
- 6) **Mantenimiento**
- a) **Haga que una persona de reparaciones calificada realice el mantenimiento de su herramienta eléctrica y utilice piezas de repuesto idénticas solamente.** *Esto garantizará la seguridad de la herramienta eléctrica.*

## **NORMAS DE SEGURIDAD ESPECÍFICAS ADICIONALES**

### **INSTRUCCIONES DE SEGURIDAD PARA TODAS LAS SIERRAS**

#### **⚠ PELIGRO:**

- a. **Mantenga las manos alejadas del área de corte y de la hoja. Mantenga la segunda mano en el mango auxiliar o en la carcasa del motor.** *Si las dos manos están sujetando la sierra, no pueden ser cortadas por la hoja.*

- b. **No ponga las manos debajo de la pieza de trabajo.** El protector no puede protegerle de la hoja debajo de la pieza de trabajo.
- c. **Ajuste la profundidad de corte al grosor de la pieza de trabajo.** Menos de un diente completo de los dientes de la hoja debe ser visible debajo de la pieza de trabajo.
- d. **No sujete nunca la pieza que esté cortando en las manos o atravesada sobre una pierna. Sujete firmemente la pieza de trabajo a una plataforma estable.** Es importante soportar apropiadamente la pieza de trabajo para minimizar la exposición del cuerpo, el atasco de la hoja o la pérdida de control.
- e. **Sujete la herramienta mecánica por las superficies de agarre con aislamiento cuando realice una operación en la que la herramienta de corte podría entrar en contacto con cables ocultos o con su propio cable de alimentación.** El contacto con un cable “con corriente” hará que las partes metálicas de la herramienta mecánica que estén al descubierto también “lleven corriente”, lo cual causará descargas al operador.
- f. **Cuando corte al hilo, utilice siempre un tope-guía para cortar al hilo o una guía de borde recto.** Esto mejora la precisión del corte y reduce las probabilidades de que la hoja se atasque.
- g. **Utilice siempre hojas que tengan el tamaño correcto y la forma correcta (de diamante frente a redonda) de agujeros para el eje portaherramienta.** Las hojas que no coincidan con los herrajes de montaje de la sierra funcionarán excéntricamente, causando pérdida de control.
- h. **No use nunca arandelas de hoja o un perno de hoja que estén dañados o sean incorrectos.** Las arandelas y el perno de la hoja se diseñaron especialmente para su sierra, con el fin de lograr un rendimiento óptimo y una seguridad óptima de funcionamiento.

## **CAUSAS DEL RETROCESO Y SU PREVENCIÓN POR PARTE DEL OPERADOR**

- El retroceso es una reacción repentina a una hoja de sierra pellizcada, atascada o desalineada, que hace que una sierra descontrolada se levante y se salga de la pieza de trabajo, hacia el operador.
  - Cuando la hoja se pellizca o se atasca fuertemente al cerrarse la sección de corte, la hoja se para y la reacción del motor impulsa la unidad rápidamente hacia atrás, hacia el operador.
  - Si la hoja se tuerce o se desalinea en el corte, los dientes ubicados en el borde trasero de la hoja pueden penetrar en la superficie superior de la madera, haciendo que la hoja trepe, se salga de la sección de corte y salte hacia atrás, hacia el operador.
- El retroceso es el resultado de un uso inapropiado de la sierra y/o de procedimientos o situaciones de utilización incorrectos y se puede evitar tomando las precauciones apropiadas que se indican a continuación:
- a. **Mantenga un agarre firme con las dos manos en la sierra y posicione los brazos de modo que puedan resistir las fuerzas de retroceso.** Las fuerzas de retroceso pueden ser controladas por el operador, si se toman las precauciones adecuadas.
  - b. **Cuando la hoja se esté atascando o cuando se interrumpa un corte por cualquier motivo, suelte el gatillo y sujete la sierra de modo que esté inmóvil en el material hasta que la hoja se detenga por completo. No intente nunca retirar la sierra de la pieza de trabajo ni tirar de la sierra hacia atrás mientras la hoja esté en movimiento o se podría producir retroceso.** Investigue y tome medidas correctivas para eliminar la causa de atasco de la hoja.
  - c. **Cuando rearranque una sierra en la pieza de trabajo, centre la hoja de sierra en la sección de corte y asegúrese de que los dientes de la hoja de sierra no estén acoplados en el material.** Si la hoja de sierra se está atascando, podría desplazarse o experimentar retroceso respecto a la pieza de trabajo cuando se arranque la sierra.
  - d. **Soporte los paneles grandes para minimizar el riesgo de que la hoja se pellizque y se produzca retroceso.** Los paneles grandes tienden a combarse bajo su propio peso. Se deben colocar soportes debajo del panel a ambos lados, cerca de la línea de corte y cerca del borde del panel.
  - e. **No use hojas desafiladas o dañadas.** Las hojas desafiladas o con triscado inapropiado producen una sección de corte estrecha que causa fricción excesiva, atasco de la hoja y retroceso.
  - f. **Las palancas de fijación de ajuste de la profundidad y del bisel de la hoja deben estar apretadas y sujetas firmemente antes de realizar el corte.** Si el ajuste de la hoja cambia mientras se realiza el corte, dicho cambio podría causar atasco y retroceso.
  - g. **Tenga precaución adicional cuando haga un “corte por penetración” en paredes existentes u otras áreas ciegas.** La hoja que sobresale podría cortar

objetos que pueden causar retroceso.

## **INSTRUCCIONES DE SEGURIDAD PARA EL PROTECTOR INFERIOR**

- a. **Compruebe el protector inferior para verificar si se cierra apropiadamente antes de cada uso.** No utilice la sierra si el protector inferior no se mueve libremente y no se cierra instantáneamente. No sujete nunca con abrazaderas ni amarre el protector inferior en la posición abierta. Si la sierra se cae accidentalmente, el protector inferior se podría doblar. Suba el protector inferior con el mango retráctil y asegúrese de que se mueve libremente y no toca la hoja ni ninguna otra pieza, en todos los ángulos y profundidades de corte.
- b. **Compruebe el funcionamiento del resorte del protector inferior.** Si el protector y el resorte no están funcionando correctamente, se les debe hacer servicio de ajustes y reparaciones antes de la utilización. El protector inferior podría funcionar con dificultad debido a que haya piezas dañadas, depósitos gomosos o una acumulación de residuos.
- c. **El protector inferior se debe retraer manualmente sólo para realizar cortes especiales, tales como “cortes por penetración” y “cortes compuestos”.** Suba el protector inferior por el mango retráctil y, en cuanto la hoja entre en el material, se debe soltar el protector inferior. Para todas las demás operaciones de aserrado, el protector inferior debe funcionar automáticamente.
- d. **Asegúrese siempre de que el protector inferior esté cubriendo la hoja antes de dejar la sierra en un banco de trabajo o en el piso.** Una hoja que se esté moviendo por inercia hasta detenerse y no esté protegida hará que la sierra se desplace hacia atrás, cortando todo aquello que esté en su camino. Tenga en cuenta el tiempo que se requiere para que la hoja se detenga después de soltar el interruptor.

## **INSTRUCCIONES DE SEGURIDAD ADICIONALES**

- **Utilice abrazaderas u otra forma práctica para asegurar y apoyar la pieza de trabajo en una plataforma estable.** Sostener la pieza de trabajo con la mano o contra su cuerpo provoca inestabilidad y puede llevar a la pérdida del control.
- **Mantenga el cuerpo a un lado de la hoja de la sierra, nunca en línea con la misma.** El RETROCESO podría despedir la sierra hacia atrás (vea Causas del retroceso y prevención por parte del operador y RETROCESO).
- **Evite cortar clavos. Inspeccione si hay clavos.** Retire todos los clavos de la madera antes de cortar.
- **Siempre asegúrese de que nada interfiera con el movimiento del protector inferior de la hoja.**
- **Los accesorios deben estar clasificados para la velocidad recomendada en la etiqueta de advertencia de la herramienta, como mínimo.** Los discos y otros accesorios que funcionen por encima de su velocidad nominal pueden desarmarse y provocar lesiones. Las clasificaciones de los accesorios siempre deben ser superiores a la velocidad de la herramienta que aparece en la placa de identificación de la misma.
- **Siempre asegúrese de que la sierra esté limpia antes de utilizarla.**
- **Si se produce un ruido inusual o un funcionamiento anormal, suspenda el uso de esta sierra y haga que la revisen debidamente.**
- **Siempre asegúrese de que todos los componentes estén montados correcta y firmemente antes de utilizar la herramienta.**
- **Siempre manipule la hoja de la sierra con cuidado al montarla o retirarla, o al retirar el extractor de diamante.**
- **Siempre espere hasta que el motor haya alcanzado la velocidad máxima antes de iniciar un corte.**
- **Siempre mantenga los mangos secos, limpios y libres de aceite y grasa.** Sostenga la herramienta firmemente con ambas manos cuando esté en uso.
- **Siempre esté alerta en todo momento, especialmente durante operaciones repetitivas y monótonas.** Siempre asegúrese de la posición de sus manos con respecto a la hoja.
- **Manténgase alejado de los pedazos de los extremos que pueden caer después de cortarlos.** Estos pueden estar calientes, filosos y/o ser pesados. Pueden producirse graves lesiones personales.
- **Reemplace o repare los cables dañados. Asegúrese de que el cable prolongador esté en buenas condiciones.** Utilice solamente cables prolongadores de 3 conductores que tengan enchufes a tierra de 3 patas y receptáculos tripolares que se adapten al enchufe de la herramienta.
- **Para garantizar la seguridad, un cable prolongador debe tener un tamaño de**

**cable adecuado (AWG o Calibre de conductor de Estados Unidos).** Cuanto más pequeño sea el número de calibre del conductor, mayor será la capacidad del cable; es decir, un calibre 16 tiene más capacidad que un calibre 18. Un cable de menor capacidad provocará una disminución en el voltaje de la línea, lo cual producirá una pérdida de potencia y sobrecalentamiento. Cuando se utiliza más de una prolongación para lograr la longitud total, asegúrese de que cada prolongación tenga la medida mínima del conductor. La tabla siguiente muestra la capacidad correcta que debe utilizarse según la longitud del cable y el amperaje indicado en la placa de identificación. En caso de duda, utilice el calibre inmediatamente superior. Cuanto menor sea el número de calibre, más grueso será el cable.

**Tamaño mínimo recomendado del conductor  
para los cables de extensión**

Longitud total del cable						
25 pies	50 pies	75 pies	100 pies	125 pies	150 pies	175 pies
7.6 m	15.2 m	22.9 m	30.5 m	38.1 m	45.7 m	53.3 m
Tamaño AWG del conductor						
18	18	16	16	14	14	12

**⚠ PRECAUCIÓN:** Las cuchillas después de apagar. Daños personales serios.

**⚠ ADVERTENCIA:** Durante el uso, utilice siempre protección auditiva adecuada que cumpla con la norma ANSI S12.6 (S3.19). En ciertas circunstancias y según el período de uso, el ruido de este producto puede contribuir a la pérdida de audición.

**⚠ ADVERTENCIA:** Utilice siempre protección ocular adecuada. Todos los usuarios y espectadores deben usar protección adecuada para los ojos que cumpla con la norma ANSI Z87.1.

**⚠ ADVERTENCIA:** USE SIEMPRE LENTES DE SEGURIDAD. Los anteojos de uso diario NO son lentes de seguridad. Utilice también máscaras faciales o para polvo si el corte produce polvillo. UTILICE SIEMPRE EQUIPOS DE SEGURIDAD CERTIFICADOS:

- Protección para los ojos según la norma ANSI Z87.1 (CAN/CSA Z94.3)
- Protección auditiva según la norma ANSI S12.6 (S3.19)
- Protección respiratoria según las normas NIOSH/OSHA/MSHA

**⚠ ADVERTENCIA:** parte del polvo producido por las herramientas eléctricas al lijar, aserrar, esmerilar, taladrar y realizar otras actividades de la construcción, contiene productos químicos reconocidos por el Estado de California como causantes de cáncer, defectos de nacimiento u otros problemas reproductivos.

Algunos de estos productos químicos son:

- el plomo de las pinturas de base plomo,
- la sílice cristalina de ladrillos, el cemento y otros productos de mampostería, y
- el arsénico y el cromo de la madera con tratamiento químico.

El riesgo derivado de estas exposiciones varía según la frecuencia con la que se realice este tipo de trabajo. Para reducir la exposición a estos productos químicos: trabaje en áreas bien ventiladas y trabaje con equipos de seguridad aprobados, como las máscaras para polvo especialmente diseñadas para filtrar las partículas microscópicas.

- Evite el contacto prolongado con el polvo proveniente del lijado, aserrado, amolado y taladrado eléctrico y otras actividades de construcción. Use vestimenta protectora y lave todas las áreas expuestas con agua y jabón. De entrar polvo en sus ojos, boca, o que este permanezca sobre su piel puede promover la absorción de químicos dañinos.

**⚠ ADVERTENCIA:** El uso de esta herramienta puede generar y/o dispersar el polvo, el cual puede ocasionar lesión respiratoria u otro tipo de lesión grave y permanente. Utilice siempre protección respiratoria NIOSH/OSHA apropiada para la exposición al polvo. Dirija las partículas lejos de su cara o su cuerpo.

## Símbolos

- La etiqueta de su herramienta puede incluir los siguientes símbolos. Los símbolos y sus definiciones son los siguientes:

V..... voltios	A..... amperios
Hz..... hertz	W..... vatios
min..... minutos	~ o AC..... corriente alterna
— o DC..... corriente directa	n <sub>o</sub> ..... no velocidad sin carga
⚠..... Construcción Clase I (mis à la terre)	⊕ ..... terminal a tierra
⊞ ..... Construcción de clase II	⚠ ..... simbolo de alerta
RPM o .../min.....revoluciones o minuto seguridad	
📖 ..... Lea el manual de instrucciones antes del uso	
👤 ..... Use protección adecuada para las vías respiratorias	
👁 ..... Use protección adecuada para los ojos	
👂 ..... Use protección adecuada para los oídos	

## PARA REDUCIR EL RIESGO DE RETROCESO

- Mantenga un agarre firme con ambas manos sobre la sierra, en todo momento.
- Manténgase alerta y en control.
- Apoye los materiales largos que sobresalgan. A medida que se corta el material, el mismo se debilita y se comba, y pellizca la hoja.
- Apoye los paneles grandes como se muestra (**Fig. F**). El material que solo se apoya en los extremos (**Fig. E**) provocará pellizcos de la hoja.
- Evite cortar en el aire. El material se combará y pellizcará la hoja.
- Asegúrese de que el material que se va a cortar esté sujeto con abrazaderas (**Figura H**), sostenido sólidamente y equilibrado sobre una superficie de trabajo fuerte, estable y nivelada. Apoye el trabajo para que la sección más ancha de la zapata de la sierra esté sobre la sección del material que no caerá cuando se haga el corte. Nunca sostenga la pieza a cortar con la mano (**Figura G**).
- Mantenga las hojas afiladas y limpias.
- Cuando realice cortes longitudinales (a favor de la veta) utilice una guía para corte longitudinal o para borde recto. Tenga cuidado, ya que la tira que corta puede combarse o torcerse, cerrando el corte y pellizcando la hoja, lo que provoca RETROCESO.
- No fuerce la herramienta. Las variables de la madera, como los nudos, la dureza, la resistencia y la humedad, y las maderas tratadas con presión o sin estacionar pueden sobrecargar la sierra, lo que puede provocar atascamiento. Cuando esto ocurre, empuje la sierra más lentamente.
- No retire la sierra del trabajo durante un corte mientras la hoja se mueva.
- Permita que la sierra alcance la velocidad máxima antes de poner la hoja en contacto con el material a cortar. Encender la sierra cuando la hoja está contra el trabajo o encajada en el corte puede provocar atascamiento o un movimiento repentino hacia atrás de la herramienta.
- Nunca intente retirar la sierra mientras realiza un corte en bisel. Esto provocará que la hoja se trabe y se atasque.
- Siempre asegure el trabajo para evitar que la pieza se mueva mientras corta.
- No trate de forzar la sierra hacia atrás por la línea de corte si esta comienza a desviarse. Esto puede provocar RETROCESO. Detenga la sierra y permita que la hoja continúe girando hasta detenerse. Retírela del corte e inicie un nuevo corte sobre la línea.
- Regule la profundidad de la sierra de manera que solo un diente de la hoja sobresalga bajo el trabajo, como se muestra en (**Figura J**).
- No haga retroceder una hoja en movimiento en el corte. Torcer la sierra puede provocar que el borde posterior de la hoja se encaje en el material, salte del trabajo y retroceda hacia el operador.
- Evite cortar clavos. Inspeccione si hay clavos. Retire todos los clavos de la madera antes de cortar.

# INSTRUCCIONES DE SEGURIDAD IMPORTANTES PARA LOS CARGADORES DE BATERÍAS

**CONSERVE ESTAS INSTRUCCIONES:** Este manual contiene instrucciones de seguridad importantes para los cargadores de baterías.

- Antes de utilizar el cargador, lea todas las instrucciones y las prevenciones en el cargador, en el paquete de baterías y en el producto que utiliza el paquete de baterías.

⚠ **ADVERTENCIA: Riesgo de descarga eléctrica.** No permita que ningún líquido entre en el cargador.

⚠ **PRECAUCIÓN: Riesgo de quemaduras.** Para reducir el riesgo de lesiones, cargue únicamente las baterías de iones de litio BLACK+DECKER de 20 V MÁX. especificadas. Es posible que otros tipos de baterías estallen y provoquen lesiones personales y daños.

⚠ **PRECAUCIÓN:** En determinadas circunstancias, con el cargador enchufado en el tomacorriente, algunos materiales extraños pueden provocar un cortocircuito en el cargador. Se deben mantener lejos de las cavidades del cargador los materiales extraños de naturaleza conductora, entre los que se incluyen la lana de acero, el papel de aluminio o cualquier acumulación de partículas metálicas. Éstos son sólo algunos ejemplos y no constituyen una lista taxativa. Siempre desenchufe el cargador del tomacorriente cuando no haya un paquete de baterías en la cavidad. Desenchufe el cargador antes de intentar limpiarlo.

⚠ **ADVERTENCIA:**

- **NO intente cargar el paquete de baterías con otros cargadores que no sean de la marca. Los cargadores y los paquetes de baterías están diseñados específicamente para trabajar juntos.**
- **Estos cargadores no están diseñados para ningún otro uso que no sea la carga de las baterías recargables de iones de litio BLACK+DECKER de 20 V MÁX. especificadas.** *Otros usos pueden provocar riesgo de incendio, descarga eléctrica o electrocución.*
- **No exponga el cargador a la lluvia ni a la nieve.**
- **Para desconectar el cargador o los cables para cadena de margarita, tire del enchufe en lugar del cable.** *Esto reducirá el riesgo de dañar el enchufe o el cable.*
- **Asegúrese de que el cable esté ubicado de modo que no lo pise o se tropiece con él y que no esté sujeto a daños o tensiones de alguna otra forma.**
- **No utilice un cable prolongador a menos que sea absolutamente necesario.** *El uso de un cable prolongador incorrecto puede provocar riesgo de incendio, descarga eléctrica o electrocución.*
- **Para garantizar la seguridad, un cable prolongador debe tener un tamaño de cable adecuado (AWG o Calibre de conductor de Estados Unidos).** *Cuanto más pequeño sea el número de calibre del conductor, mayor será la capacidad del cable; es decir, un calibre 16 tiene más capacidad que un calibre 18. Cuando se utiliza más de una prolongación para lograr la longitud total, asegúrese de que cada prolongación tenga la medida mínima del conductor.*
- **No coloque objetos en la parte superior del cargador ni coloque el cargador en una superficie blanda que pueda bloquear las ranuras de ventilación y provocar un calor interno excesivo. Coloque el cargador en una posición alejada de cualquier fuente de calor.** El cargador se ventila a través de ranuras en la parte superior e inferior de la cubierta.
- **No monte el cargador en la pared ni lo instale en forma permanente sobre ninguna superficie.** El cargador está diseñado para ser utilizado sobre una superficie plana y estable (p. ej., un banco o una mesa).
- **No opere el cargador con cables o enchufes dañados: reemplácelos de inmediato.**
- **No opere el cargador si éste ha recibido un golpe fuerte, se ha caído, o se ha dañado de cualquier otra manera. Llévelo a un centro de mantenimiento autorizado.**
- **No desarme el cargador; llévelo a un centro de mantenimiento autorizado cuando se requiera mantenimiento o una reparación.** *El armado incorrecto puede implicar un riesgo de descarga eléctrica, electrocución o incendio.*
- **Antes de limpiarlo, desconecte el cargador del tomacorriente.** Esto reducirá el riesgo de descarga eléctrica. Quitar el paquete de baterías no reducirá este riesgo.
- **NUNCA intente conectar 2 cargadores juntos.**
- **El cargador está diseñado para operar con corriente eléctrica doméstica estándar (120 voltios). No intente utilizarlo con otro voltaje.**

**CONSERVE ESTAS INSTRUCCIONES**



# INSTRUCCIONES DE SEGURIDAD IMPORTANTES PARA LOS PAQUETES DE BATERÍAS

**⚠ ADVERTENCIA:** Para un funcionamiento seguro, lea éste y todos los manuales de instrucciones incluidos con la herramienta antes de usar el cargador.

El paquete de baterías incluido en la caja no está completamente cargado. Antes de utilizar el paquete de baterías y el cargador, lea las instrucciones de seguridad a continuación. Luego siga los procedimientos de carga descritos.

## LEA TODAS LAS INSTRUCCIONES

- **No incinere el paquete de baterías, aun si tiene daños importantes o está completamente desgastado.** El paquete de baterías puede explotar en el fuego. Cuando se quemaran paquetes de baterías de LI-ION se generan vapores y materiales tóxicos.
- **No cargue ni use la batería en atmósferas explosivas, como ambientes en los que hay líquidos, gases o polvo inflamables.** Insertar o retirar la batería del cargador puede encender el polvo o los vapores.
- **Si el contenido de las baterías entra en contacto con la piel, lave el área de inmediato con agua y jabón suave.** Si el líquido de la batería entra en contacto con los ojos, enjuague con agua manteniendo los ojos abiertos durante 15 minutos o hasta que la irritación cese. Si se necesita atención médica, el electrolito de las baterías de LI-ION contiene una mezcla de carbonatos orgánicos líquidos y sales de litio. Las baterías de NI-CD contienen una solución de hidróxido de potasio al 25%-35%.
- **El contenido de las células de la batería abierta puede generar irritación respiratoria.** Respire aire fresco. Si los síntomas persisten, busque atención médica.

**⚠ ADVERTENCIA:** Peligro de quemaduras. El líquido de la batería puede encenderse si se expone a chispas o llamas.

- **Cargue los paquetes de baterías con cargadores BLACK+DECKER únicamente**
- **NO salpique o sumerja en agua u otros líquidos.** Esto puede causar una falla prematura de las células.
- **No almacene ni utilice la herramienta y el paquete de baterías en lugares en los que la temperatura pueda alcanzar o superar los 40 °C (105 °F) (como en toldos al aire libre o construcciones de metal en verano).**

**⚠ ADVERTENCIA:** Nunca intente abrir el paquete de baterías por ningún motivo. Si la caja del paquete de baterías está agrietada o dañada, no la introduzca en el cargador. No comprima, deje caer ni dañe el paquete de baterías. No utilice un paquete de baterías o un cargador que haya recibido un golpe fuerte, se haya caído, esté agotado o dañado de alguna forma (por ejemplo, perforado con un clavo, golpeado con un martillo, pisado). Los paquetes de baterías dañados deben devolverse al centro de mantenimiento para su reciclado.

**ADVERTENCIA:** Riesgo de incendio. No guarde o transporte la batería de ninguna manera que permita que los terminales expuestos de la batería entren en contacto con objetos metálicos. Por ejemplo, no coloque la batería en delantales, bolsillos, cajas de herramientas, cajas de juegos de productos, cajones, etc. con clavos, llaves, tornillos sueltos, etc. Transportar baterías puede provocar incendios si los terminales de la batería entran en contacto accidentalmente con materiales conductores como llaves, monedas, herramientas de mano u objetos similares. Las Normas para Materiales Peligrosos del Departamento de Transporte de los EE.UU. (HMR) concretamente prohíben transportar baterías comercialmente o en aviones (es decir, empacadas en maletas y equipaje de mano) A MENOS que estén debidamente protegidas de cortocircuitos. Por lo tanto, cuando transporte baterías individuales, asegúrese de que los terminales de la batería estén protegidos y bien aislados de materiales que puedan hacer contacto y causar un cortocircuito. **NOTA: Las baterías de iones de litio no deben colocarse dentro del equipaje registrado.**

## RECOMENDACIONES CON RESPECTO AL ALMACENAMIENTO

1. El mejor lugar de almacenamiento es uno que sea fresco y seco fuera de la luz solar directa y de un exceso de calor o frío.
2. El almacenamiento prolongado no dañará el paquete de baterías o el cargador. En las condiciones adecuadas, las baterías de LI-ION pueden almacenarse durante 5 años o más.

## MONTAJE EN LA PARED

Este cargador está diseñado para montarse en la pared o colocarse verticalmente sobre una mesa o una superficie de trabajo. Si se monta en una pared, ubique el cargador


dentro del alcance de un tomacorriente. Móntelo firmemente usando tornillos para panel de yeso de al menos 25,4 mm (1 pulgada) de largo, atornillados en madera hasta una profundidad óptima que deja aproximadamente 5,5 mm (7/32 pulgada) del tornillo expuesto.


## PROCEDIMIENTO DE CARGA

Los cargadores BLACK+DECKER están diseñados para cargar paquetes de baterías BLACK+DECKER.

1. Enchufe el cargador (**Fig. B**) en un tomacorriente adecuado antes de insertar el paquete de baterías.

2. Introduzca el paquete de baterías en el cargador. (**Fig. B**)

 3. La luz LED titilará, lo que indica que la batería se está cargando.


 4. La luz LED fija indicará que la carga ha finalizado. El paquete está completamente cargado y puede utilizarse en este momento o dejarse en el cargador.

**Después del uso, recargue las baterías descargadas a la brevedad posible o de lo contrario la vida útil de las baterías podría acortarse en gran medida. Para obtener la máxima vida útil de las baterías, no permita que éstas se descarguen completamente.** Se recomienda recargar las baterías después de cada uso.


## DIAGNÓSTICO DEL CARGADOR

Este cargador está diseñado para detectar ciertos problemas que pueden surgir con los paquetes de baterías o la fuente de alimentación. Los problemas se indican mediante una luz LED que titila en diferentes patrones.

## BATERÍA EN MAL ESTADO

 El cargador puede detectar una batería débil o dañada. La luz LED titila en el patrón indicado en la etiqueta. Si observa este patrón intermitente de batería en mal estado, interrumpa la carga de la batería. Devuélvala a un centro de mantenimiento o a un lugar de recolección para reciclado.

## RETRASO POR PAQUETE CALIENTE/FRÍO

 Cuando el cargador detecta una batería excesivamente caliente o excesivamente fría, enciende automáticamente un Retraso por paquete caliente/frío que suspende la carga hasta que la batería se normaliza. Después de esto, el cargador cambia automáticamente al modo de Paquete cargando. Esta función garantiza la duración máxima de la batería. La luz titila en el patrón indicado en la etiqueta.

## DEJAR LA BATERÍA EN EL CARGADOR

El cargador y el paquete de baterías se pueden dejar conectados indefinidamente con la luz LED encendida. El cargador mantendrá el paquete de baterías como nuevo y completamente cargado. Este cargador posee un modo Tune-up automático que iguala o equilibra las celdas individuales en el paquete de baterías para que éste funcione a máxima capacidad. Los paquetes de baterías deben ajustarse semanalmente o siempre que la batería ya no suministre la misma cantidad de potencia. Para utilizar el modo Tune-up automático, coloque el paquete de baterías en el cargador y déjelo allí durante 8 horas como mínimo.

## NOTAS IMPORTANTES SOBRE LA CARGA

1. Obtendrá una duración más prolongada y un mejor rendimiento si el paquete de baterías se carga cuando la temperatura ambiente está entre 18 °C y 24 °C (65 °F y 75 °F). NO cargue el paquete de batería con una temperatura ambiental por debajo de +4,5 °C (+40 °F) o por encima de +40,5 °C (+105 °F). Esto es importante y evitará daños graves en el paquete de baterías.

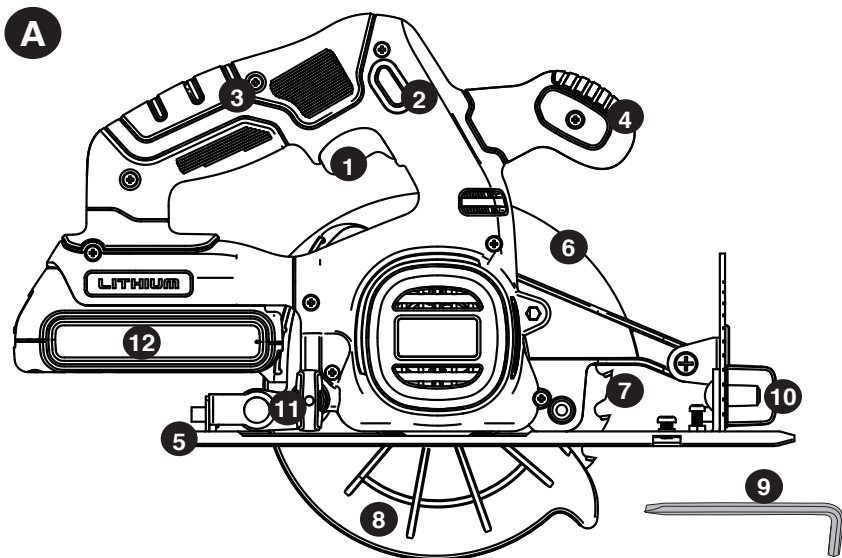
2. El cargador y el paquete de baterías pueden estar calientes al tacto durante la carga. Esto es una condición normal y no indica un problema. Para facilitar el enfriado del paquete de baterías después de su uso, evite colocar el cargador o el paquete de baterías en un ambiente cálido, como debajo de un toldo de metal o en un remolque sin aislamiento.

3. Si el paquete de baterías no se carga adecuadamente:

- Revise el tomacorriente enchufando una lámpara u otro aparato

- b. Verifique si el tomacorriente está conectado a un interruptor que corta la energía cuando usted apaga las luces.
  - c. Mueva el cargador y el paquete de baterías a un lugar donde la temperatura ambiental sea de aproximadamente 18 °C a 24 °C (65 °F a 75 °F).
  - d. Si los problemas de carga persisten, lleve la herramienta, el paquete de baterías y el cargador al centro de mantenimiento local.
4. Se debe recargar el paquete de baterías cuando no produce energía suficiente para tareas que previamente realizaba con facilidad. **NO CONTINÚE** utilizando la herramienta en estas condiciones. Siga el procedimiento de carga. También se puede cargar un paquete de baterías parcialmente usado cuando se desee, sin ningún efecto negativo sobre éstas.
5. Se deben mantener lejos de las cavidades del cargador los materiales extraños de naturaleza conductora, entre los que se incluyen la lana de acero, el papel de aluminio o cualquier acumulación de partículas metálicas. Éstos son sólo algunos ejemplos y no constituyen una lista taxativa. Siempre desenchufe el cargador del tomacorriente cuando no haya un paquete de baterías en la cavidad. Desenchufe el cargador antes de intentar limpiarlo.
6. No congele ni sumerja el cargador en agua ni en ningún otro líquido.

**⚠ ADVERTENCIA: Riesgo de descarga eléctrica.** No permita que ningún líquido entre en el cargador. *Nunca intente abrir el paquete de baterías por ningún motivo. Si la caja protectora de plástico del paquete de baterías se rompe o agrieta, devuélvala a un centro de mantenimiento para su reciclado.*



## DESCRIPCIÓN DE LAS FUNCIONES

- 1. DISPARADOR DE ENCENDIDO/ APAGADO
- 2. BOTÓN DE BLOQUEO EN APAGADO
- 3. MANGO PRINCIPAL
- 4. MANGO SECUNDARIO
- 5. ZAPATA
- 6. PROTECTOR SUPERIOR
- 7. HOJA DE LA SIERRA
- 8. PROTECTOR DE LA HOJA DE LA SIERRA

## FIGURA A

- 9. LLAVE
- 10. PERILLA DE REGULACIÓN DE BISEL
- 11. PERILLA DE REGULACIÓN DE PROFUNDIDAD
- 12. BATERÍA
- 13. BLOQUEO DEL EJE (NO SE MUESTRA)
- 14. ESCALA DE AJUSTE DE PROFUNDIDAD (NO SE MUESTRA)

Este producto es compatible con todas las baterías y los cargadores detallados en el siguiente cuadro.

Descripción	N.º de cat.
Batería de iones de litio de 20 V max *:	LBXR20 LB20 / LBX20
Cargador de batería de litio-ion de 20 V max *:	LCS20 LCS1620
2A cargador rápido	L2AFC L2AFCBST

## USO PREVISTO

Esta sierra circular es el diseño para do-it-yourself, aplicaciones de madera de corte.

**⚠ ADVERTENCIA:** No corte metales, mampostería, vidrio, cerámica o plástico con esta sierra. Una cuchilla sin filo causar sobrecarga lento, ineficiente corte en el motor de la sierra, fragmentación excesiva y podría aumentar la posibilidad de un contragolpe.

- NO utilice ningún hoja abrasivas.
- Utilice sólo hojas diseñadas para el corte de madera.
- NO lo use en condiciones de humedad o en la presencia de líquidos o gases inflamables.
- NO permita que los niños entren en contacto con la herramienta.

Se debe supervisar a los usuarios sin experiencia operen la herramienta.

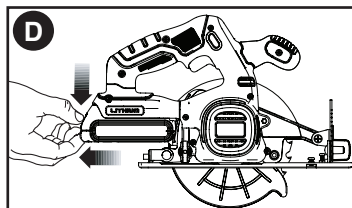
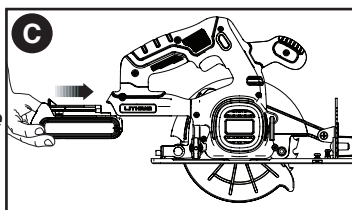
**⚠ ADVERTENCIA: PARA REDUCIR EL RIESGO DE LESIONES, SIEMPRE RETIRE LA BATERÍA ANTES DE REALIZAR CUALQUIERA DE LOS SIGUIENTES AJUSTES.**

## INSTALACIÓN Y EXTRACCIÓN DEL PAQUETE DE BATERÍAS DE LA HERRAMIENTA

**⚠ ADVERTENCIA:** Asegúrese de que el botón de bloqueo esté trabado para evitar el accionamiento del interruptor antes de extraer o instalar la batería.

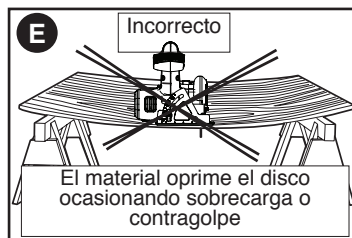
**PARA INSTALAR EL PAQUETE DE BATERÍAS:**  
Introduzca el paquete de baterías en la herramienta como se muestra en la **figura C**. Asegúrese de que la batería está completamente asentada y totalmente enganchado en su posición.

**PARA EXTRAER EL PAQUETE DE BATERÍAS:**  
Presione el botón de liberación de la batería, como se muestra en la **figura D**, y tire del paquete de baterías hasta extraerlo de la herramienta.

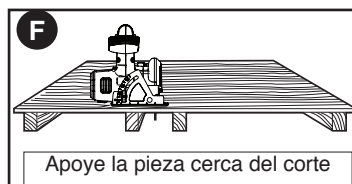


## SOPORTE DE PANELES GRANDES/FIJACIÓN DE LA PIEZA DE TRABAJO

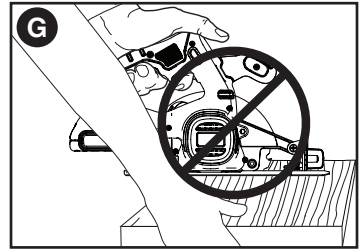
Sujete los paneles grandes para minimizar el riesgo de que la hoja se pellizque y se produzca el retroceso. Los paneles grandes tienden a combarse por su propio peso, como se muestra en la **figura E**.



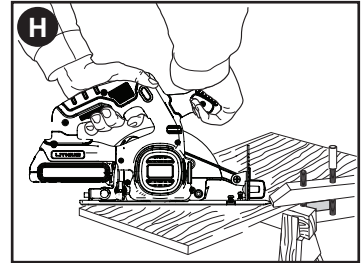
Se deben colocar soportes bajo el panel, a ambos lados, cerca de la línea de corte y cerca del borde del panel (**figura F**).



Nunca sostenga la pieza que está cortando con las manos ni contra la pierna (**figura G**).



Fije la pieza de trabajo a una plataforma estable, como se muestra en la **figura H**. Es importante sostener el trabajo correctamente para reducir al mínimo la exposición del cuerpo, el atascamiento de la hoja y la pérdida del control.

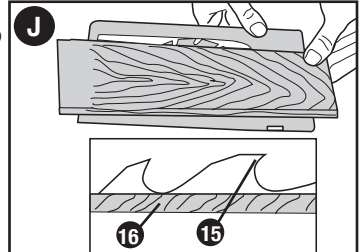
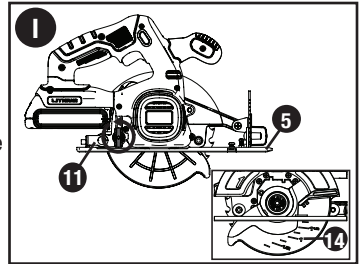


## ENSAMBLADO/REGULACIONES

### AJUSTE DE LA PROFUNDIDAD DE CORTE (FIG. I Y J)

La profundidad de corte debe fijarse en función del grosor de la pieza de trabajo.

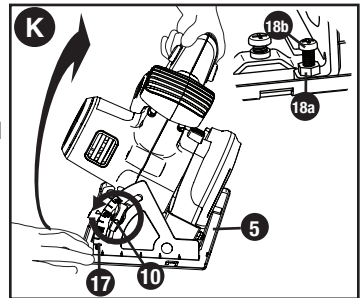
- Afloje la perilla o palanca de ajuste de profundidad (11) para destrabar la zapata de la sierra (5) como se muestra en la **figura I**.
- Mueva la zapata de la sierra hasta la posición deseada. La profundidad de corte correspondiente puede leerse en la escala (14).
- Apriete la palanca o perilla para bloquear la zapata de la sierra en el lugar.
- Regule la profundidad de la sierra de manera que sólo un diente (15) de la hoja sobresalga bajo la pieza de trabajo (16), como se muestra en la **figura J**.



### REGULACIÓN DEL ÁNGULO DE BISEL (FIGURA K)

Esta herramienta puede fijarse para biselar ángulos entre 0° y 50°.

- Afloje la perilla de regulación de bisel (10) para desbloquear la zapata de la sierra.
- Mueva la zapata de la sierra (5) hasta la posición deseada. El ángulo de biselado correspondiente puede leerse de la escala (17).
- Ajuste la perilla de regulación de bisel (10) para trabar la zapata de la sierra en el lugar.
- Confirme la exactitud de la configuración marcando el ángulo de bisel de corte actual en un pequeño trozo de material.



### AJUSTE DE LA ZAPATA PARA CORTES DE 90°

El calzado (5) ha sido fijado por la fábrica para asegurar que la hoja esté perpendicular a la zapata a 0° ajuste de bisel.

SI SE REQUIEREN AJUSTES ADICIONALES:

- Ajuste la sierra a un bisel de 0°.
- Repliegue el protector de la hoja (8).
- Afloje la perilla de regulación de bisel (10). Coloque una escuadra contra la hoja (7) y

la zapata (5) para realizar el ajuste de 90°.

- Afloje la tuerca de inmovilización (18a), mueva el tornillo de regulación (18b) (recuadro de la **figura K**) para que la zapata se detenga a un ángulo adecuado. Apriete la tuerca contra el arranque mientras se mantiene el tornillo en su posición.
- Verifique la cuadratura de un corte real en una pieza de material desechable para confirmar la precisión de la configuración.

## COLOCACIÓN Y REMOCIÓN DE LA HOJA (FIG. L, M)

- Repliegue el protector inferior (11) y arme la hoja (10) y la arandela de la abrazadera (21) como se muestra en la **figura L**.

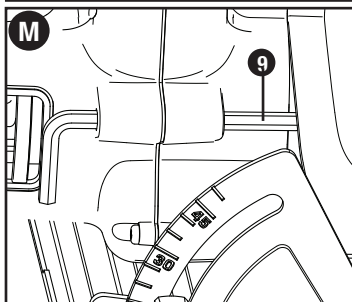
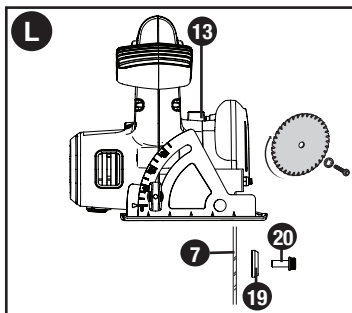
- Oprima el botón de bloqueo del eje (16) mientras gira el eje de la sierra con la llave para cambio de hoja (12) hasta que el bloqueo de la hoja trabaje y la hoja deje de girar.

**NOTA:** La llave para cambio de hoja se almacena en la cubierta de la sierra como se muestra en la **figura M**.

- Ajuste bien el tornillo de ajuste de la hoja (24) con la llave para cambio de hoja.

**NOTA:** Perno tiene una rosca a la izquierda. Para aflojar, gire a la izquierda. Para apretar, girar a la izquierda.

**NOTA:** Nunca trabe el bloqueo de la hoja con la sierra en funcionamiento ni intente trabar la hoja para detener la herramienta. Nunca encienda la sierra mientras el bloqueo de la hoja esté trabado. Esto ocasionaría daños graves a la sierra.



## PROTECTOR INFERIOR DE LA HOJA

**⚠ ADVERTENCIA:** Peligro de laceración. El protector inferior de la hoja es un dispositivo de seguridad que reduce el riesgo de lesiones personales graves. Nunca utilice la sierra si el protector inferior falta, está dañado, mal montado o no funciona correctamente. No confíe en el protector inferior de la hoja para protegerse ante cualquier circunstancia. Su seguridad depende de que respete todas las advertencias y precauciones y de que opere la sierra adecuadamente. Antes de cada uso, verifique que el protector inferior cierre correctamente como se describe en la sección Normas de seguridad adicionales para sierras circulares. Si el protector inferior de la hoja falta o no funciona adecuadamente, haga reparar la sierra antes de usarla. Para garantizar la seguridad y la confiabilidad del producto, las reparaciones, el mantenimiento y los ajustes se deben realizar en los centros de mantenimiento autorizados o en otras organizaciones de mantenimiento calificadas, y siempre deben utilizarse piezas de repuesto idénticas.

**⚠ ADVERTENCIA:** Para minimizar el riesgo de lesión ocular, utilice siempre protección para los ojos. El carburo es un material duro pero frágil. Los materiales extraños en la pieza de trabajo como alambres o clavos pueden ocasionar el quiebre o la rotura de las puntas. Sólo opere la sierra si el protector de la hoja de la sierra adecuado se encuentra en su lugar. Antes de usar la sierra, monte la hoja de manera segura en la dirección de rotación correspondiente y utilice siempre una hoja limpia y afilada.

**⚠ ADVERTENCIA:** Para reducir el riesgo de lesiones, es importante apoyar bien el trabajo y sostener la sierra firmemente para evitar la pérdida de control, la que podría provocar lesiones personales. Fig. H ilustra un soporte manual típico.

## INSTRUCCIONES DE OPERACIÓN

**⚠ ADVERTENCIA:** Para reducir el riesgo de lesiones personales graves, lea, comprenda y siga todas las advertencias de seguridad y las instrucciones antes de usar la herramienta.

### SELECCIÓN DE LA HOJA

Esta sierra circular está diseñada para utilizar hojas de 165 mm (6 1/2 pulg.) de diámetro, con 16 mm (5/8 pulg.) de diámetro interior. Las hojas deben estar clasificadas para un funcionamiento a 6000 RPM (o más). NO utilice discos abrasivos.

## CORTES GENERALES

**⚠ ADVERTENCIA:** Para reducir el riesgo de lesiones, luego de retirar la batería, siga todas las instrucciones de montaje, regulación e instalación.

Asegúrese de que el protector inferior funcione. Seleccione la hoja correcta para el material a cortar.

- Mida y marque el trabajo para cortarlo.
- Sostenga y asegure correctamente el trabajo (consulte las Instrucciones y las Normas de seguridad).
- Utilice los equipos de seguridad apropiados y requeridos (consulte las Normas de seguridad).
- Afirme y sostenga el área de trabajo (consulte las Normas de seguridad).
- Con la batería colocada, asegúrese de que el interruptor encienda y apague la sierra.

## INTERRUPTOR

Sierra está equipada con una función de bloqueo de desconexión para evitar la operación accidental.

- Para utilizar la herramienta, pulse con el botón de cierre (2) de cada lado de la sierra y mantenerla en su como usted pisa el interruptor de gatillo (1).
- After you have depressed the trigger and the tool is running, release the lock-off button. La herramienta continuará funcionando mientras se aprieta el gatillo.
- Para apagar la herramienta, suelte el interruptor de gatillo.

**NOTA:** Esta herramienta no tiene ninguna posibilidad de bloqueo de la herramienta, y el interruptor no debe ser bloqueado en cualquier otro medio.

## FRENO ELÉCTRICO AUTOMÁTICO

Su sierra esté equipada con un freno de la cuchilla eléctrico que detiene la hoja de sierra en cuestión de segundos 1-2 de soltar el gatillo. Este es automática y no requiere ningún ajuste.

## ASERRADO

**⚠ ADVERTENCIA:** Para reducir el riesgo de lesiones personales graves, siempre sostenga la herramienta con ambas manos.

- Deje que la hoja se mueva libremente algunos segundos antes de empezar a cortar.
- Aplique sólo presión ligera a la herramienta mientras realiza el corte.
- Trabaje con la zapata presionada contra la pieza de trabajo.

## CONSEJOS PARA UN USO ÓPTIMO

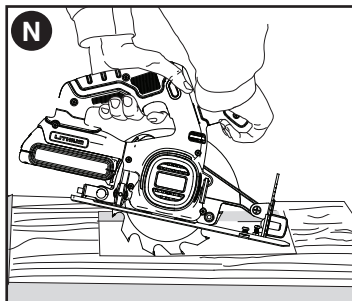
- Dado que es imposible que no se formen astillas a lo largo de la línea de corte en la parte superior de la pieza de trabajo, corte en el lado donde es aceptable que haya astillas.
- En los casos donde la formación de astillas debe minimizarse, como en el corte de laminados, sujete una pieza de madera contrachapada sobre la parte superior de la pieza de trabajo.

## CORTES INTERNOS (FIGURA N)

**⚠ ADVERTENCIA:** Nunca ate el protector de la hoja en una posición elevada. Nunca mueva la sierra hacia atrás cuando realice cortes internos. Esto puede ocasionar que la unidad se eleve de la superficie de trabajo y se produzcan lesiones.

Un corte de bolsillo es uno que se hace cuando el borde del material no empuja el protector inferior abierto, pero el borde inferior de los cortes de cuchilla giratoria en el centro del material.

- Ajuste la placa base de la sierra para que la hoja corte a la profundidad deseada.
- Incline la sierra hacia adelante y apoye el frente de la placa base sobre el material que va a cortar.
- Utilizando la palanca retráctil, retraiga el protector inferior de la hoja a una posición vertical. Baje la parte posterior de la placa base hasta que los dientes de la hoja apenas toquen la línea de corte.
- Suelte el protector de la hoja (el contacto de éste con la pieza de trabajo lo mantendrá en su lugar para que se abra libremente cuando comience a realizar el corte). Quite la mano de la palanca del protector y sujete firmemente el mango auxiliar (4), como



se muestra en la **Figura N**. Ubique su cuerpo y el brazo de modo que pueda resistir el retroceso de la hoja, en caso de que ocurriese.

- Antes de encender la sierra, asegúrese de que la hoja no esté en contacto con la superficie de corte.
- Arranque el motor y baje gradualmente la sierra hasta que la placa base se apoye completamente sobre el material que desea cortar. Avance la sierra a lo largo de la línea de corte hasta completar el mismo.
- Suelte el gatillo y deje que la sierra se detenga por completo antes de retirar la hoja del material.
- Cada vez que comience un nuevo corte, repita lo anterior.

### DETECCIÓN DE PROBLEMAS

#### Problema

#### Causa posible

#### Solución posible

<ul style="list-style-type: none"> <li>• La unidad no enciende.</li> <li>• El paquete de baterías no carga.</li> </ul>	<ul style="list-style-type: none"> <li>• El paquete de baterías no está bien instalado.</li> <li>• El paquete de baterías no está cargado.</li> <li>• El paquete de baterías no está insertado en el cargador.</li> <li>• El cargador no está enchufado.</li> <li>• Temperatura ambiental.</li> </ul>	<ul style="list-style-type: none"> <li>• Controle la instalación del paquete de baterías.</li> <li>• Verifique los requisitos de carga del paquete de baterías.</li> <li>• Inserte el paquete de baterías en el cargador hasta que se encienda la luz roja (LED).</li> <li>• Enchufe el cargador en un tomacorriente que funcione. Consulte “Notas importantes sobre la carga” para conocer más detalles.</li> <li>• Traslade el cargador y la batería a una temperatura ambiental que esté por encima de 40 °F (4,5 °C) o por debajo de 105 °F (+40,5 °C).</li> </ul>
--	---	--

### NOTAS ESPECIALES PARA EL USO CON BATERÍAS DE LITIO

<ul style="list-style-type: none"> <li>• La unidad se apaga baterías repentinamente.</li> </ul>	<ul style="list-style-type: none"> <li>• El paquete de baterías alcanzó el límite térmico máximo.</li> <li>• No tiene más carga. (Para <b>maximizar la vida útil del paquete de baterías, este está diseñado para apagarse repentinamente cuando no tiene más carga</b>).</li> </ul>	<ul style="list-style-type: none"> <li>• Espere que el paquete de se enfríe.</li> <li>• Colóquelo en el cargador para que se cargue.</li> </ul>
---	--	---

Para conocer la ubicación del centro de servicio más cercano a fin de recibir ayuda con su producto, visite nuestro sitio Web [www.blackanddecker.com.mx](http://www.blackanddecker.com.mx) o llame a la línea de ayuda BLACK+DECKER al **01 800 847 2309/01 800 847 2312**.

### MANTENIMIENTO

Utilice únicamente jabón suave y un trapo húmedo para limpiar la herramienta. Nunca permita que se introduzcan líquidos en la herramienta; nunca sumerja ninguna parte de la herramienta en ningún líquido.

**IMPORTANTE:** Para garantizar la SEGURIDAD y la CONFIABILIDAD del producto, la reparaciones, el mantenimiento y los ajustes deberán efectuarse en centros de servicio autorizado u otras organizaciones de servicio calificado, que utilicen siempre refacciones idénticas.

### ACCESORIOS

Los accesorios que se recomiendan para la herramienta están disponibles en su distribuidor local o en el centro de servicio autorizado. Si necesita ayuda con respecto a los accesorios, llame al: **1-800-544-6986**.

**⚠️ ADVERTENCIA:** El uso de accesorios no recomendados para utilizar con esta herramienta puede resultar peligroso.



## EL SELLO RBRC™

El sello RBRC™ (Corporación de reciclado de baterías recargables) que se encuentra sobre la batería de iones de litio (o paquete de baterías) indica que los costos para reciclar la batería (o el paquete de baterías) al final de su vida útil ya fueron pagados por BLACK+DECKER. En algunas zonas, es ilegal tirar las baterías usadas de iones de litio en la basura o en el depósito de desechos sólidos del municipio. El programa RBRC proporciona una alternativa de conciencia sobre el cuidado del medio ambiente.



RBRC, en cooperación con BLACK+DECKER y otros usuarios de baterías, estableció programas en los Estados Unidos y Canadá para facilitar la recolección de baterías de iones de litio usadas. Ayude a proteger nuestro medio ambiente y a conservar los recursos naturales: devuelva la herramienta a un centro de mantenimiento autorizado BLACK+DECKER para que sean recicladas. También puede comunicarse con el centro de reciclado para informarse sobre dónde dejar las baterías, o llame al **1-800-544-6986**.

Este aparato digital Clase B cumple con la norma canadiense ICES-003.

Este mecanismo cumple con la parte 15 de las normas de la Comisión Federal de Comunicaciones de Estados Unidos (FCC). La operación está sujeta a las dos condiciones siguientes: (1) Este mecanismo posiblemente no cause interferencia perjudicial; y (2) este mecanismo puede aceptar cualquier interferencia recibida, incluso interferencia que podría provocar una operación no deseada.

**NOTA:** Este equipo ha sido probado y se encontró que cumple con los límites para dispositivo digital Clase B, según la parte 15 de las normas de la FCC. Estos límites están diseñados para brindar protección razonable contra interferencia perjudicial en una instalación residencial. Este equipo genera, usa y puede irradiar energía en frecuencia de radio y, si no se instala y se usa de acuerdo con las instrucciones, puede provocar interferencia perjudicial en las comunicaciones de radio. Sin embargo, no hay garantía de que la interferencia no ocurra en una instalación en particular. Si este equipo provoca interferencia perjudicial en la recepción de radio o televisión, lo que se puede determinar al apagar y encender el equipo, el usuario debe tratar de corregir la interferencia mediante una o más de las siguientes medidas:

- Cambiar la orientación o la ubicación de la antena de recepción.
- Aumentar la separación entre el equipo y el receptor.
- Conectar el equipo a un tomacorriente sobre un circuito diferente de aquel al que está conectado el receptor.
- Consultar al vendedor o pedir la ayuda de un técnico en radio y televisión con experiencia.

Los cambios o las modificaciones que se le realicen a esta unidad sin aprobación expresa del tercero responsable del cumplimiento pueden anular la autorización del usuario para operar el equipo. Este aparato digital de la clase B se conforma con ICES-003 canadiense.

## INFORMACIÓN DE MANTENIMIENTO

Todos los Centros de servicio de BLACK+DECKER cuentan con personal altamente capacitado dispuesto a brindar a todos los clientes un servicio eficiente y confiable en la reparación de herramientas eléctricas. Si necesita consejo técnico, reparaciones o piezas de repuesto originales de fábrica, póngase en contacto con el centro de servicio de BLACK+DECKER más cercano a su domicilio. Para ubicar su centro de servicio local, llame al **1-800-544-6986** o visite nuestro sitio [www.blackanddecker.com](http://www.blackanddecker.com).

## GARANTÍA LIMITADO DE DOS AÑOS PARA USO EN EL HOGAR

Black & Decker (Estados Unidos) Inc. ofrece una garantía de dos años por cualquier defecto del material o de fabricación de este producto. El producto defectuoso se reparará o reemplazará sin costo alguno de dos maneras.

La primera opción, el reemplazo, es devolver el producto al comercio donde se adquirió (siempre y cuando se trate de un comercio participante). Las devoluciones deben realizarse conforme a la política de devolución del comercio (generalmente, entre 30 y 90 días posteriores a la venta). Le pueden solicitar comprobante de compra. Consulte en el comercio acerca de la política especial sobre devoluciones una vez excedido el plazo establecido.

La segunda opción es llevar o enviar el producto (con flete pago) a un Centro de servicio propio o autorizado de BLACK+DECKER para su reparación o reemplazo según nuestro criterio. Le pueden solicitar el comprobante de compra. Esta garantía no se extiende

a los accesorios. Esta garantía le concede derechos legales específicos; usted puede tener otros derechos que pueden variar según el estado o la provincia. Si tiene alguna pregunta, comuníquese con el gerente del Centro de servicio de BLACK+DECKER de su zona. Este producto no está diseñado para uso comercial.

**AMÉRICA LATINA:** esta garantía no se aplica a los productos que se venden en América Latina. Para los productos que se venden en América Latina, debe consultar la información de la garantía específica del país que viene en el empaque, llamar a la compañía local o visitar el sitio Web a fin de obtener esa información.

**· GARANTÍA BLACK+DECKER · BLACK+DECKER WARRANTY  
· SOLAMENTE PARA PROPOSITOS DE MEXICO**

---

Distributor Name · **Sello firma del distribuidor**

---

Date of purchase · **Fecha de compra**

**Invoice No. · No. de factura**

---

**PRODUCT INFORMATION · IDENTIFICACIÓN DEL PRODUCTO**

Cat. No. · **Catalogo ó Modelo**

**Serial Number · No. de serie**

---

Name · **Nombre**

**Last Name · Apellido**

---

Address · **Dirección**

---

City · **Ciudad**

**State · Estado**

---

Postal Code · **Código Postal**

**Country · País**

---

Telephone · **No. Teléfono**

---

**2 AÑOS DE GARANTIA**

Este producto cuenta con dos años de garantía a partir de la fecha de compra contra cualquier defecto de su funcionamiento, así como cualquier falla debido a materiales empleados para su fabricación ó mano de obra defectuosa.

Nuestra garantía incluye la reparación o reposición del producto y/o componentes sin cargo alguno para el cliente incluyendo la mano de obra, esta incluye los gastos de trasportación erogados para lograr cumplimiento de esta garantía en los domicilios diversos señalados.

Para hacer efectiva esta garantía deberá presentar su herramienta y esta póliza sellada por el establecimiento comercial donde se adquirió el producto.

Nos comprometemos a entregar el producto en un lapso no mayor a 30 días hábiles contados a partir de la fecha de recepción del mismo en nuestros talleres de servicio autorizados.

**ESTA GARANTIA NO APLICA CUANDO:**

El producto se hubiese utilizado en condiciones distintas a las normales.

El producto no hubiese sido operado de acuerdo con el instructivo de uso que se acompaña.

El producto hubiese sido alterado o reparado por personas no autorizadas por nosotros.

Importador: Black & Decker S.A. de .C.V

Bosque de Cidros Acceso Radiatas No.42

3ra.Seccion de Bosques de las lomas

C.P.05120, Mexico, D.F. Tel: (01 55) 5326 7100

## SOLAMENTE PARA PROPOSITOS DE MEXICO

### **Grupo Realsa en herramientas,**

#### **S.A. de C.V.**

Súper Manzana 69 MZ.01 Lote 30

(Av. Torcasita)

Col. Puerto Juárez

Cancún, Quintana Roo

Tel. 01 998 884 72 27

### **Ferre Pat de Puebla, S.A. de C.V.**

16 de Septiembre No. 6149

Col. El Cerrito

Puebla, Puebla

Tel. 01 222 264 12 12

### **Ferre Pat de Puebla, S.A. de C.V.**

Ejército Mexicano No. 15

Col. Ejido 1ro. de Mayo

Boca del Río, Veracruz

Tel. 01 229 167 89 89

### **Servicio de Fabrica BLACK+DECKER,**

#### **S.A. de C.V.**

Lázaro Cardenas No. 18

Col. Obrera

Distrito Federal

Tel. 55 88 95 02

### **Representaciones Industriales Robles,**

#### **S.A. de C.V.**

Tezozomoc No. 89

Col. La Preciosa

Distrito Federal

Tel. 55 61 86 82

### **Gpo. Comercial de Htas. y Refacciones**

#### **de Occidente, S.A. de C.V.**

Av. La Paz No. 1779

Col. Americana, S. Juárez

Guadalajara, Jalisco

Tel. 01 33 38 25 69 78

### **Herramientas y Equipos Profesionales**

Av. Colón 2915 Ote.

Col. Francisco I. Madero

Monterrey, Nvo. León

Tel. 01 81 83 54 60 06

### **Htas. Portátiles de Chihuahua,**

#### **S.A. de C.V.**

Av. Universidad No. 2903

Col. Fracc. Universidad

Chihuahua, Chihuahua

Tel. 01 614 413 64 04

### **Fernando González Armenta**

Bolivia No. 605

Col. Felipe Carrillo Puerto

Cd. Madero, Tamaulipas

Tel. 01 833 221 34 50

### **Perfiles y Herramientas de Morelia**

Gertrudis Bocanegra No. 898

Col. Ventura Puente

Morelia, Michoacán

Tel. 01 443 313 85 50

### **Enrique Robles**

Av. de la Solidaridad No. 12713

Col. La Pradera

Irapuato, Guanajuato

Tel. 01 462 626 67 39

### **Hernández Martínez Jeanette**

Prolongación Corregidora Nte. No. 1104

Col. Arboledas

Queretaro, Qro.

Tel. 01 442 245 25 80

**PARA OTRAS LOCALIDADES LLAME AL 01 800 847 2309 o 01 800 847 2312.**

BLACK & DECKER S.A. DE C.V.  
BOSQUES DE CIDROS ACCESO RADIATAS NO. 42  
COL. BOSQUES DE LAS LOMAS.  
05120 MÉXICO, D.F.  
TEL. (01 55) 5326 7100  
01 800 847 2309/01 800 847 2312