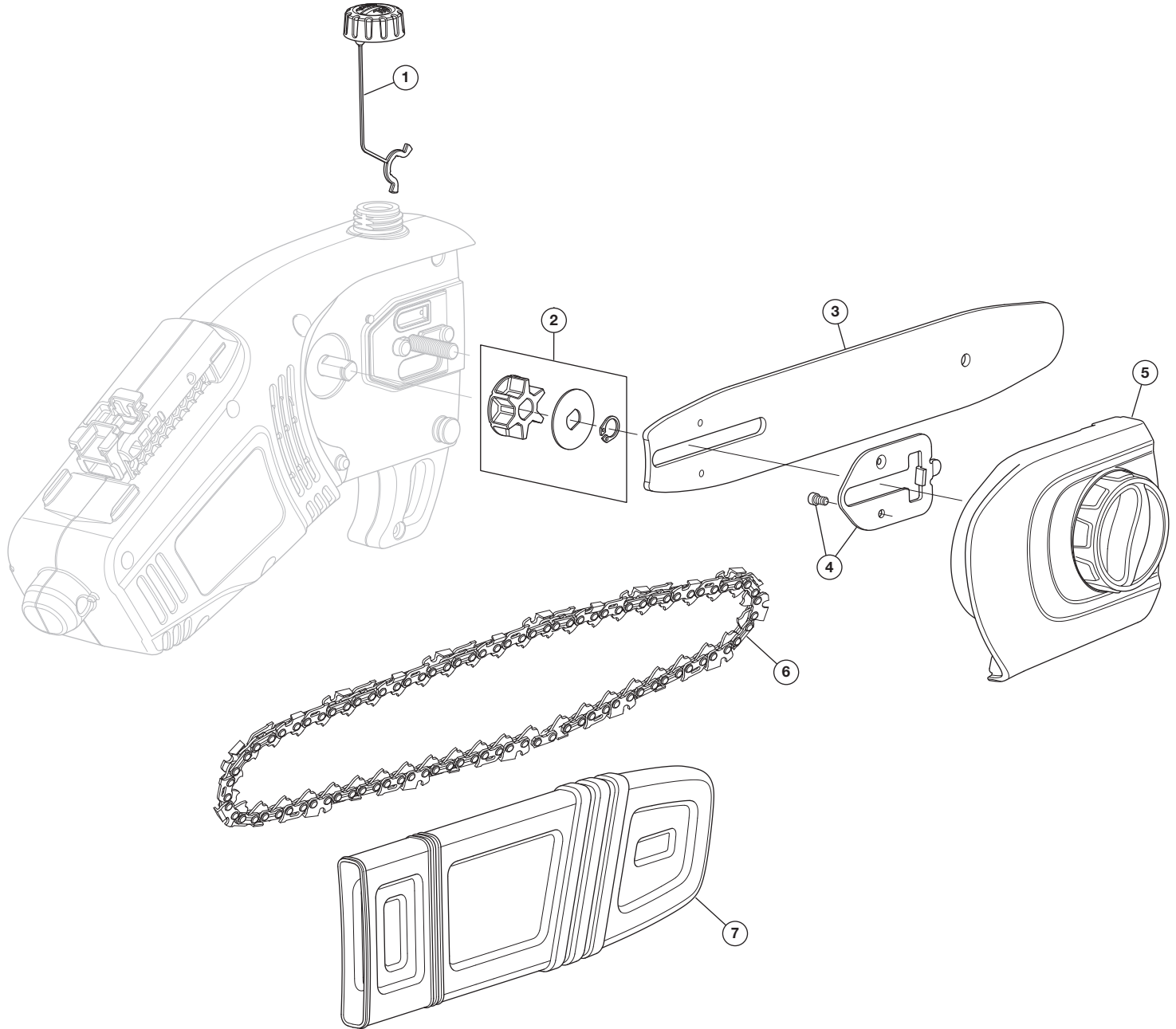


REPLACEMENT PARTS - MODEL RM1035P ELECTRIC CHAIN SAW / POLE SAW

PPN 41AZ08PC983 and 41AZ09PG983

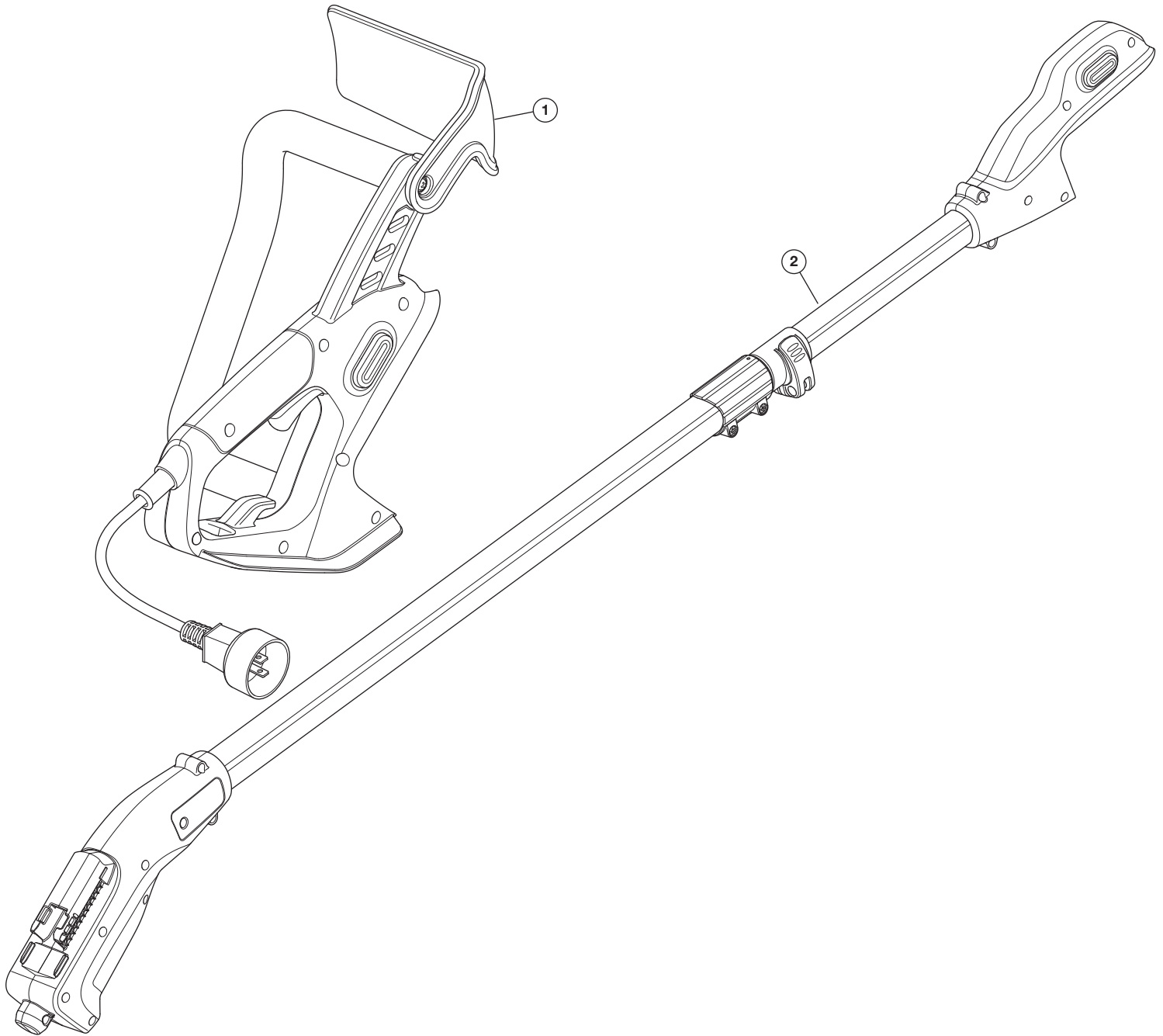


Item	Part No.	Description
1	753-08727	Oil Tank Cap
2	753-08729	Sprocket Assembly
3	795-00318	Guide Bar Assembly
4	753-08726	Plate Assembly

Item	Part No.	Description
5	753-08725	Bar Cover Assembly
6	713-05069	Chain 10"
7	731-13420	Scabbard

REPLACEMENT PARTS - MODEL RM1035P ELECTRIC CHAIN SAW / POLE SAW

PPN 41AZ08PC983 and 41AZ09PG983



Item	Part No.	Description
1	753-08728	Chainsaw Handle Assembly

Item	Part No.	Description
2	753-08724	Boom Assembly