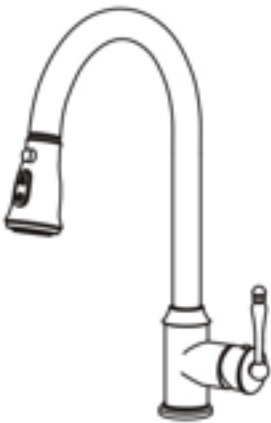


# INSTALLATION MANUAL

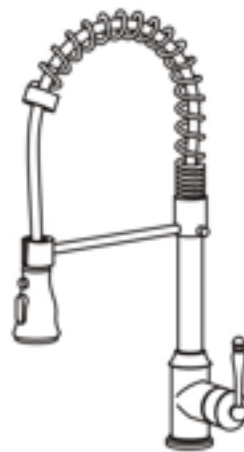
## Single Handle Pull-down Kitchen Faucet

KF2001



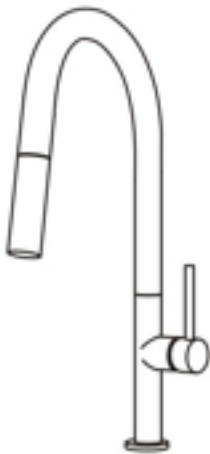
KF0007  
KF0008  
KF0009  
KF0013  
KF0014  
KF0020

KF2002



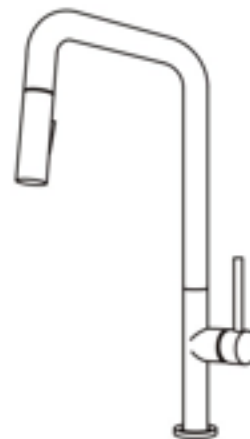
KF0010  
KF0011  
KF0012  
KF0015  
KF0016  
KF0017  
KF0018  
KF0019

KF2003



KF0021-1  
KF0021-2  
KF0021-3  
KF0021-4  
KF0021-5  
KF0021-6  
KF0021-7

KF2004

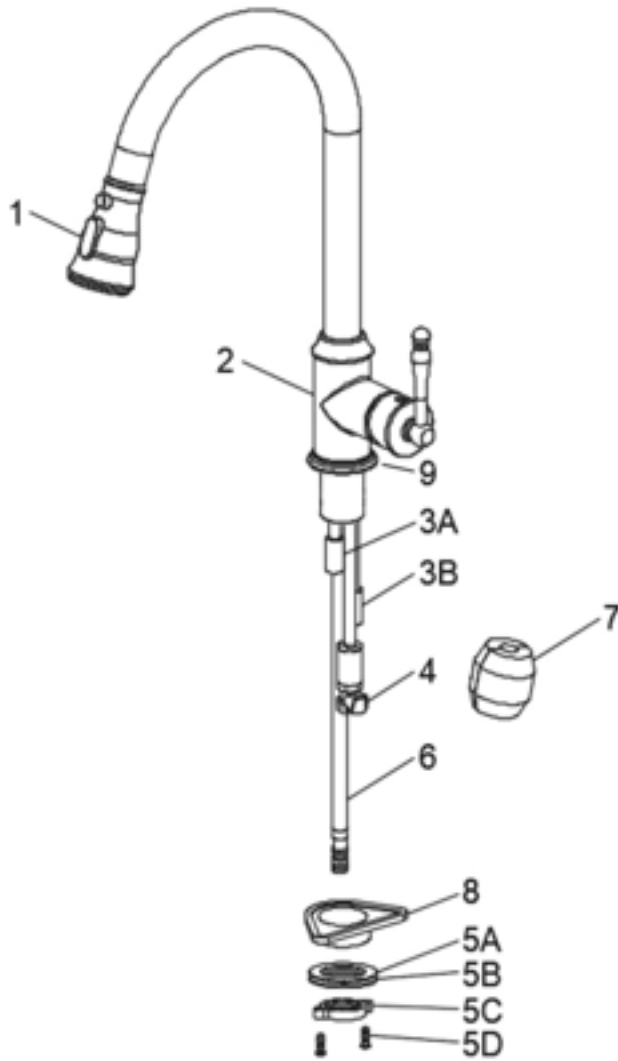


KF0022-1  
KF0022-2  
KF0022-3  
KF0022-4  
KF0022-5  
KF0022-6  
KF0022-7

## **Prior to Installation:**

- Make sure you have all necessary parts by checking the diagram and parts list. If any part is missing or damaged, please contact Customer Service at (888)808-0450 for a replacement
- Turn off the cold and hot water at the angle stops and turn on the old faucet to release any built up pressure
- Flush angle stops to release any debris prior to installation

## Diagram and Parts List



1. Spray Head
2. Faucet Body
3. Hot and Cold Waterlines
  - A. Cold
  - B. Hot
4. Quick Connector
5. Mounting Hardware
  - A. Rubber Washer
  - B. Metal Washer
  - C. Mounting Nut
  - D. Mounting Screws
6. Nylon braided hose
7. Weight
8. Cambox
9. Base O-Ring

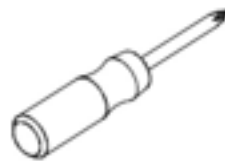
### Tools you will need



Adjustable Wrench



Silicone Sealant  
(optional)



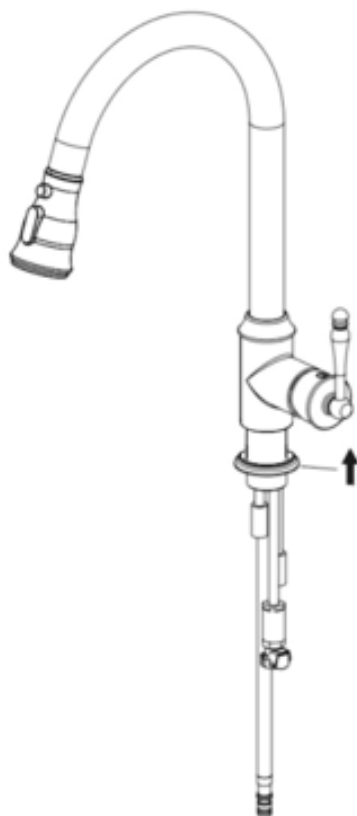
Phillips Screwdriver



Safety Goggles

## Step 1. Faucet installation - without deck plate

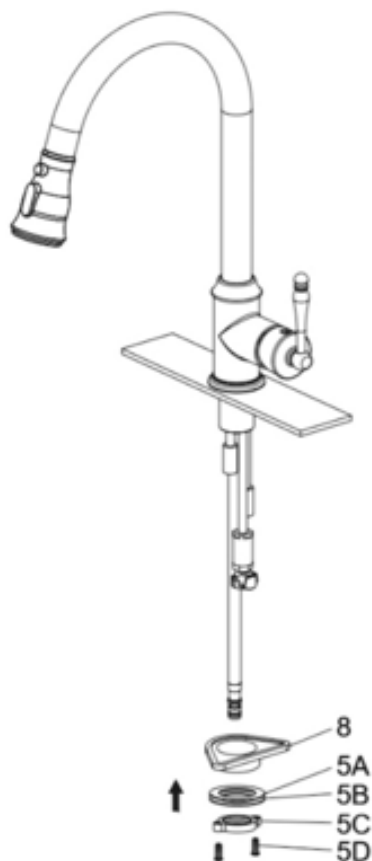
---



Insert Base O-ring.

## Step 2. Install faucet and mounting hardware

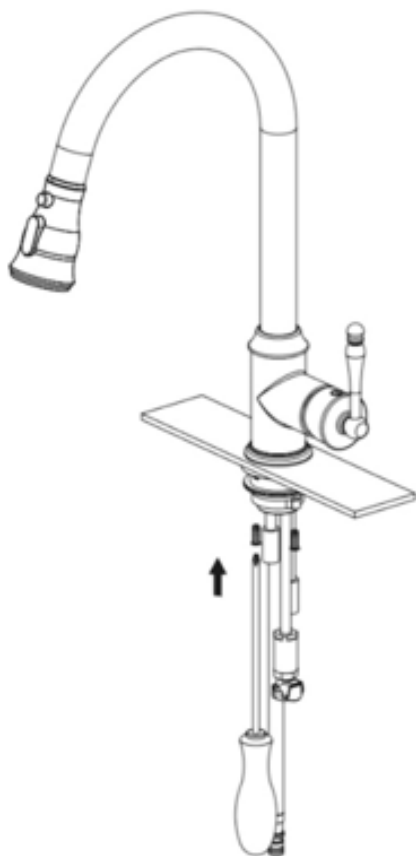
---



Insert faucet body (2) into hole in countertop or deck plate assembly. Install mounting hardware (8, 5A, B, C & D) from underneath the countertop.

### Step 3. Secure mounting hardware

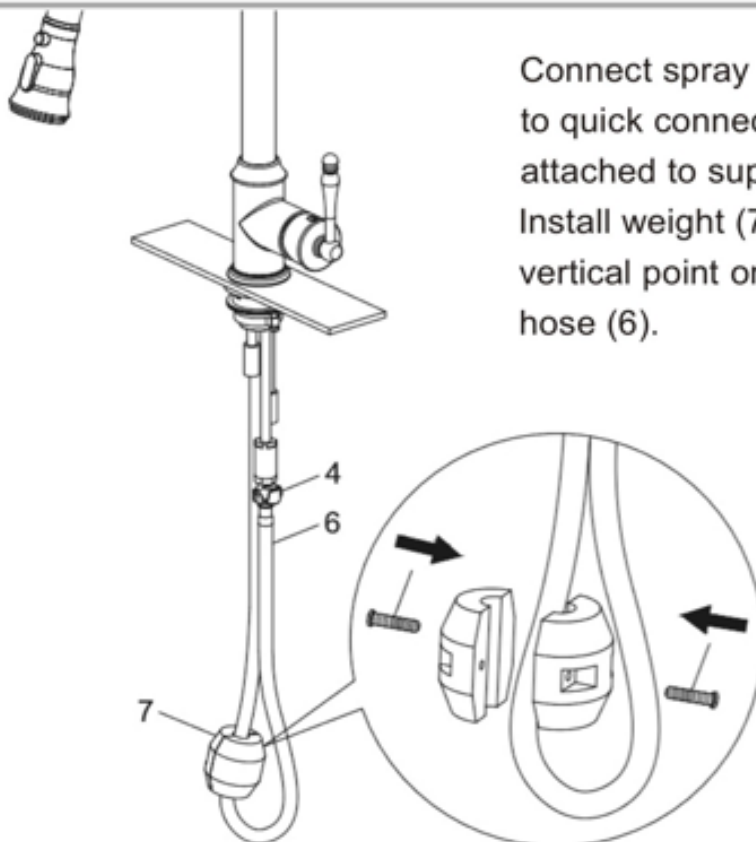
---



Adjust direction of faucet body (2) so that handle is on right side of faucet. Tighten mounting nut (5C) until snug. Tighten mounting screws (5D) to nut with a Phillips screwdriver until snug.

### Step 4. Attach spray hose and counterweight

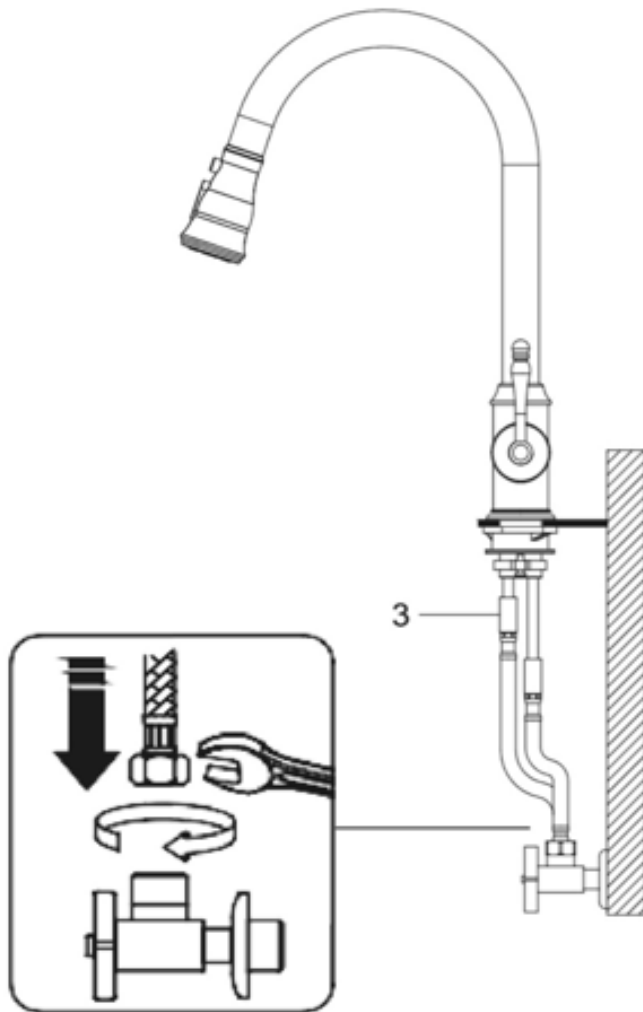
---



Connect spray hose (6) to quick connector (4) attached to supply line. Install weight (7) on lowest vertical point on spray hose (6).

## Step 5. Connect waterlines

---

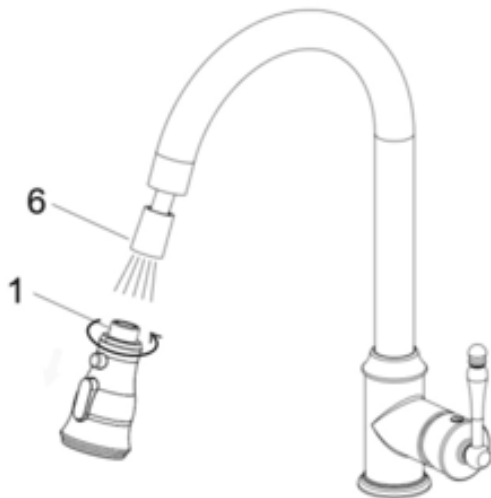


Connect waterlines (3) to angle stops. Tighten both ends of hose with a wrench until snug. Turn on hot and cold angle stops and check for leaks.

**NOTE:** Make sure filter washers are installed.

## Step 6. Flush spray hose

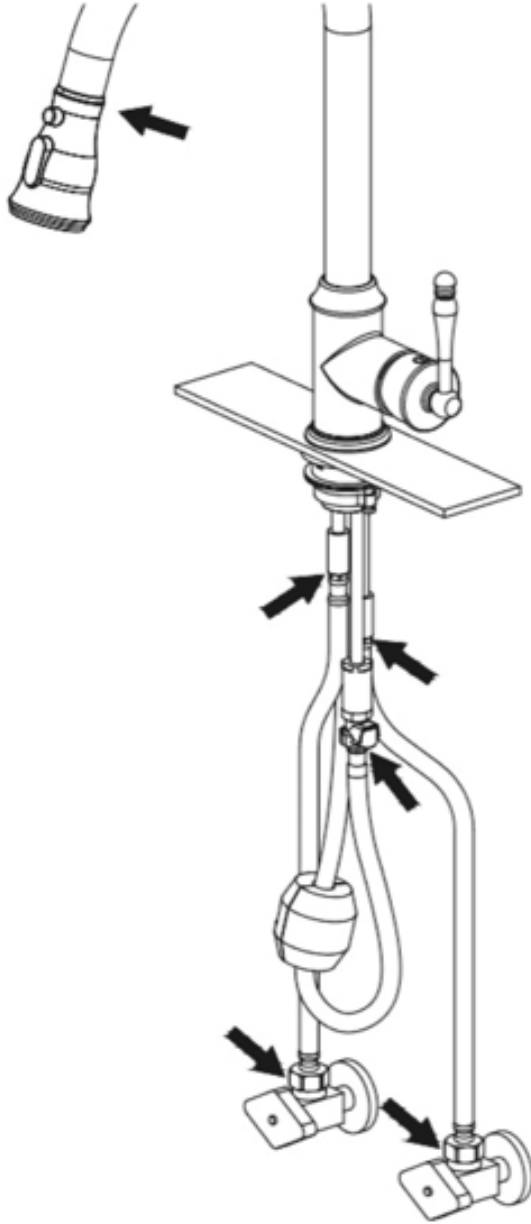
---



Un-screw spray head (1) from spray hose (6). Hold tip of spray hose (6). Turn faucet on and let the water run for 60 seconds to flush any debris.

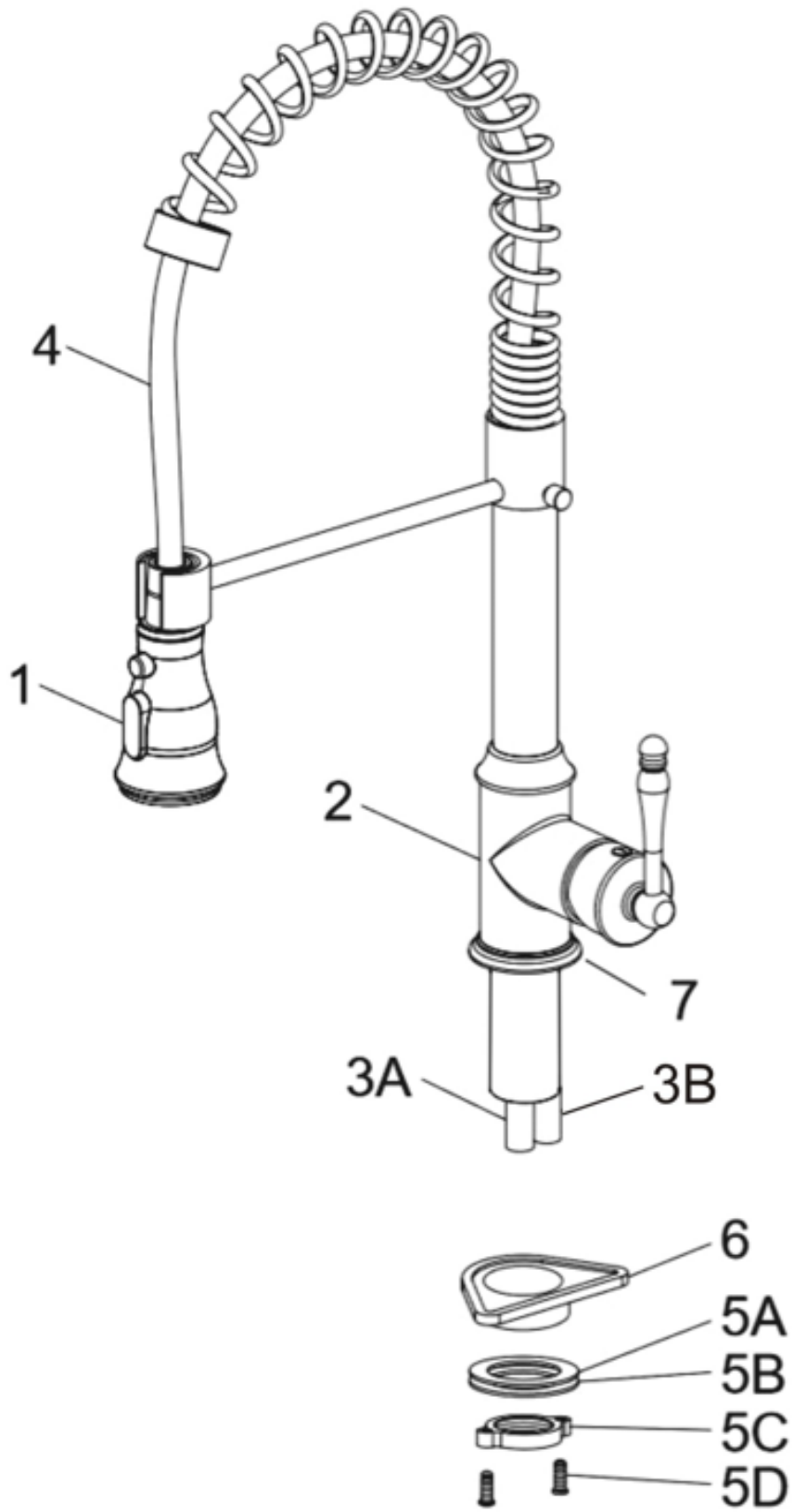
## Step 7. Check for leaks

---



Check for leaks at the connections. Retighten if necessary.

# Diagram and Parts List



## Diagram and Parts List

1. Spray Head
2. Faucet Body
3. Hot & Cold Waterlines
  - A. Cold
  - B. Hot
4. Nylon braided hose
5. Mounting Hardware
  - A. Rubber Washer
  - B. Metal Washer
  - C. Mounting Nut
  - D. Mounting Screws
6. Cambox
7. Base O-Ring

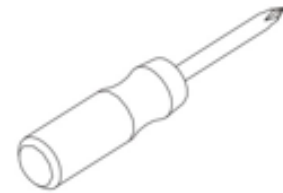
## Tools you will need



Adjustable Wrench



Silicone Sealant  
(optional)



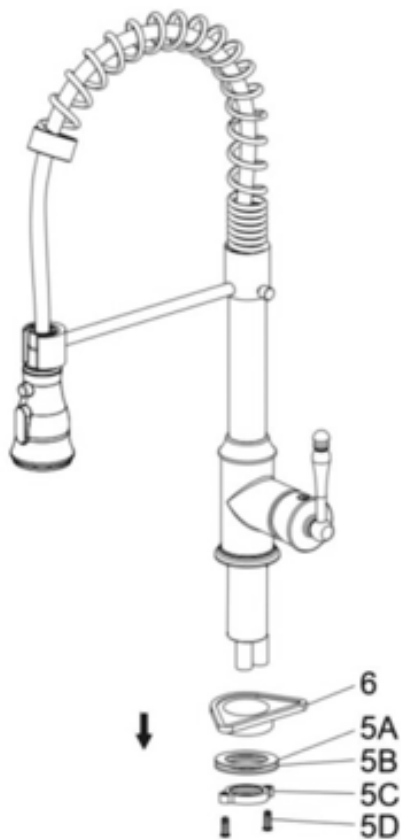
Phillips Screwdriver



Safety Goggles

## Step 1: Remove mounting hardware

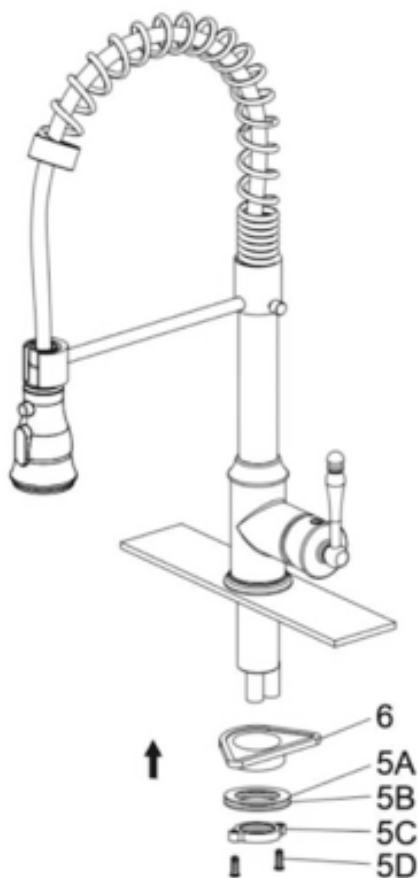
---



Remove the mounting screws (5D), mounting nut (5C), metal (5B), rubber washer (5A) and the cambox(6) from the mounting pipe

## Step 2: Install faucet and mounting hardware

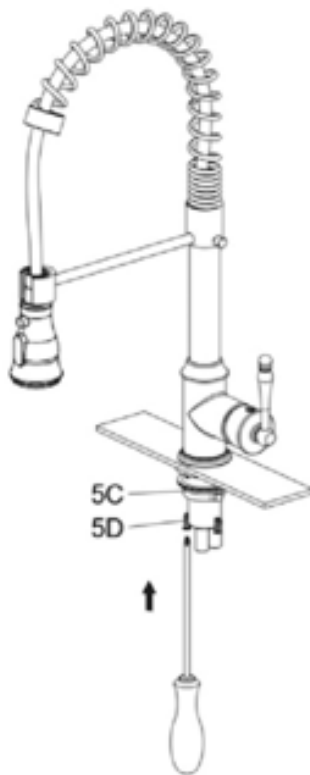
---



Insert faucet body (2) into hole in countertop. Install mounting hardware (6,5A, B, C & D) from underneath the countertop

### Step 3: Secure mounting hardware

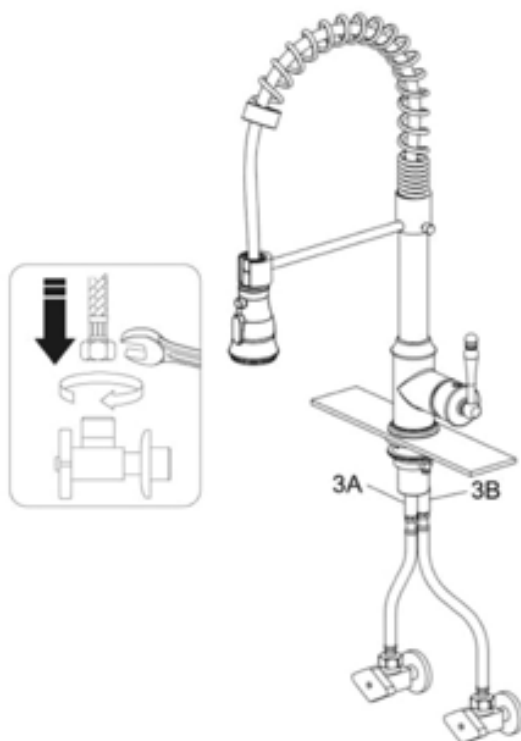
---



Adjust direction of faucet body (2) so that handle is on right side of faucet. Tighten mounting nut (3C) until snug. Tighten mounting screws (3D) with Phillips screw driver until snug

### Step 4: Connect waterlines

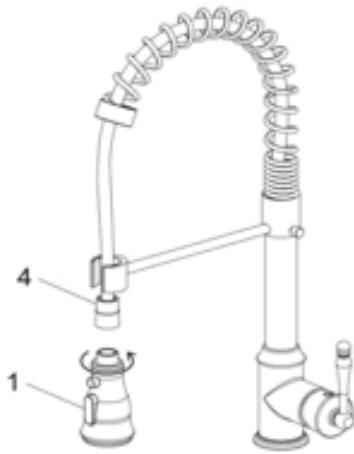
---



Connect waterlines(3A&B) to angle stops. Tighten both ends of hose with a wrench until snug. Turn on hot and cold angle stops and check for leaks

## Step5 : Flush spray hose

---

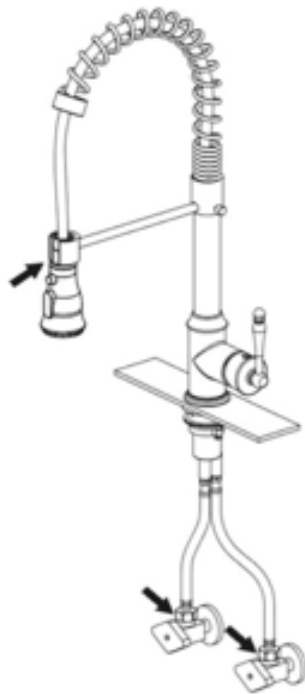


Un-screw spray head (1) from spray hose (4). Hold tip of spray hose (4). Turn faucet on and let the water run for 60 seconds to flush any debris

NOTE: Please make sure washer (7) is installed attaching spray head to hose

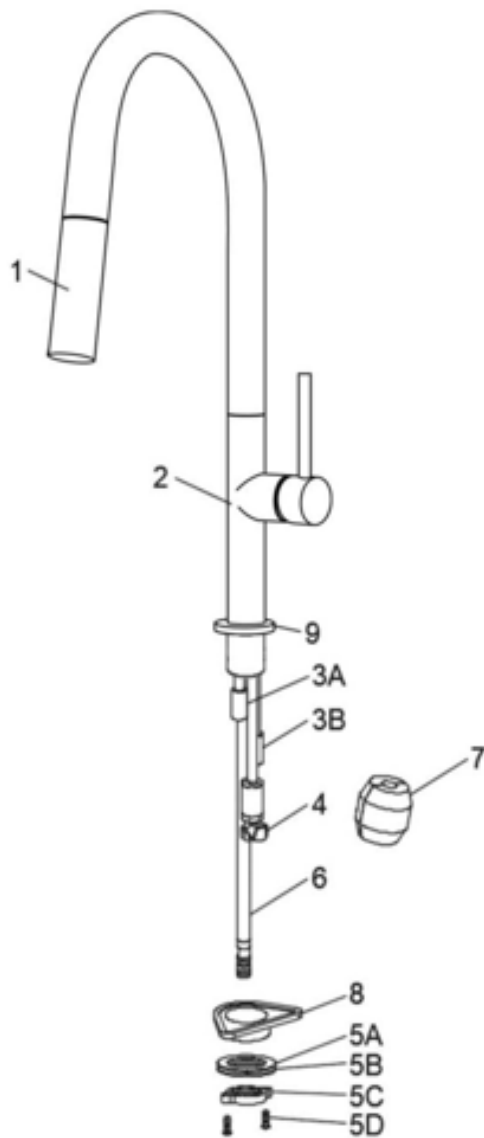
## Step6 : Check for leaks

---



Check for leaks at the connections. Retighten if necessary

## Diagram and Parts List



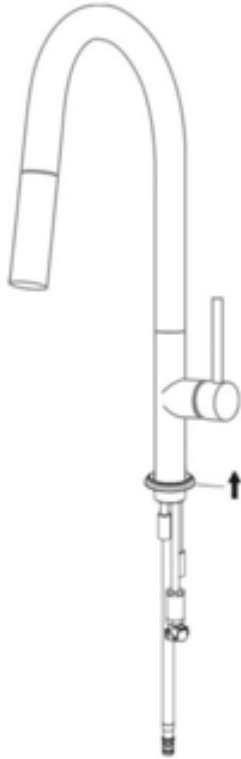
1. Spray Head
2. Faucet Body
3. Hot and Cold Waterlines
  - A. Cold
  - B. Hot
4. Quick Connector
5. Mounting Hardware
  - A. Rubber Washer
  - B. Metal Washer
  - C. Mounting Nut
  - D. Mounting Screws
6. Nylon braided hose
7. Weight
8. Cambox
9. Base O-Ring

## Tools you will need



## Step 1. Faucet installation - without deck plate

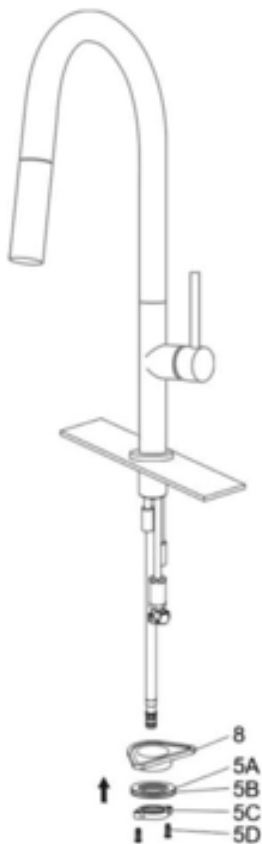
---



Insert Base O-ring.

## Step 2. Install faucet and mounting hardware

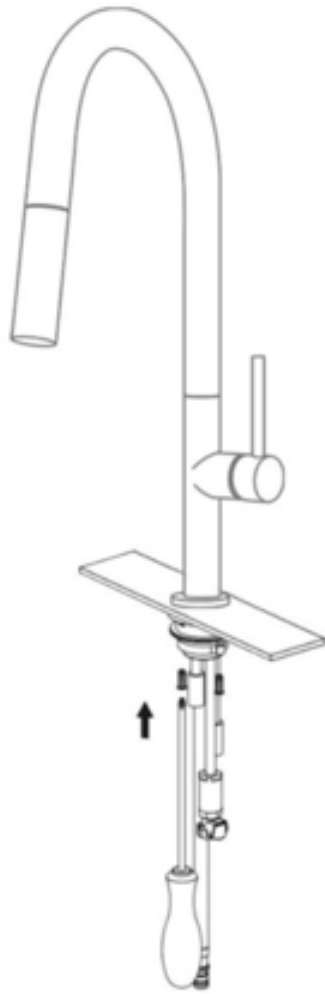
---



Insert faucet body (2) into hole in countertop or deck plate assembly. Install mounting hardware (8, 5A, B, C & D) from underneath the countertop.

### Step 3. Secure mounting hardware

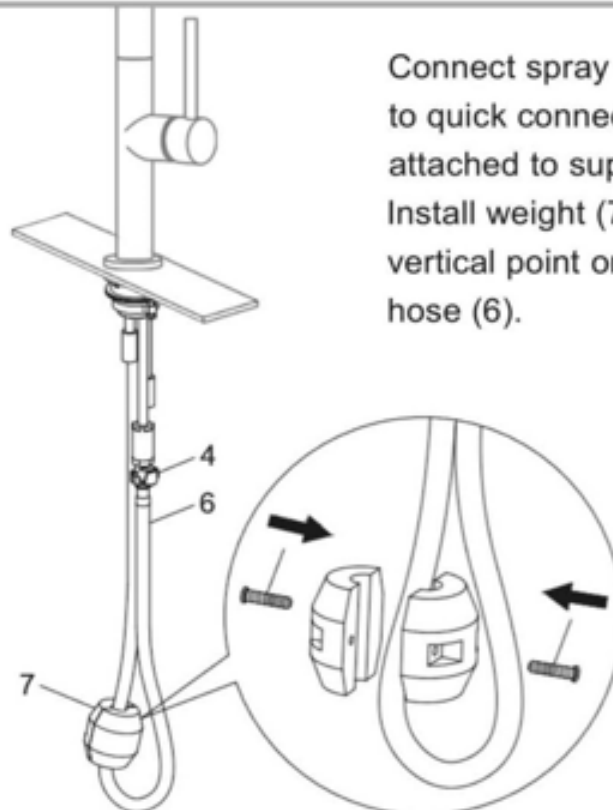
---



Adjust direction of faucet body (2) so that handle is on right side of faucet. Tighten mounting nut (5C) until snug. Tighten mounting screws (5D) to nut with a Phillips screwdriver until snug.

### Step 4. Attach spray hose and counterweight

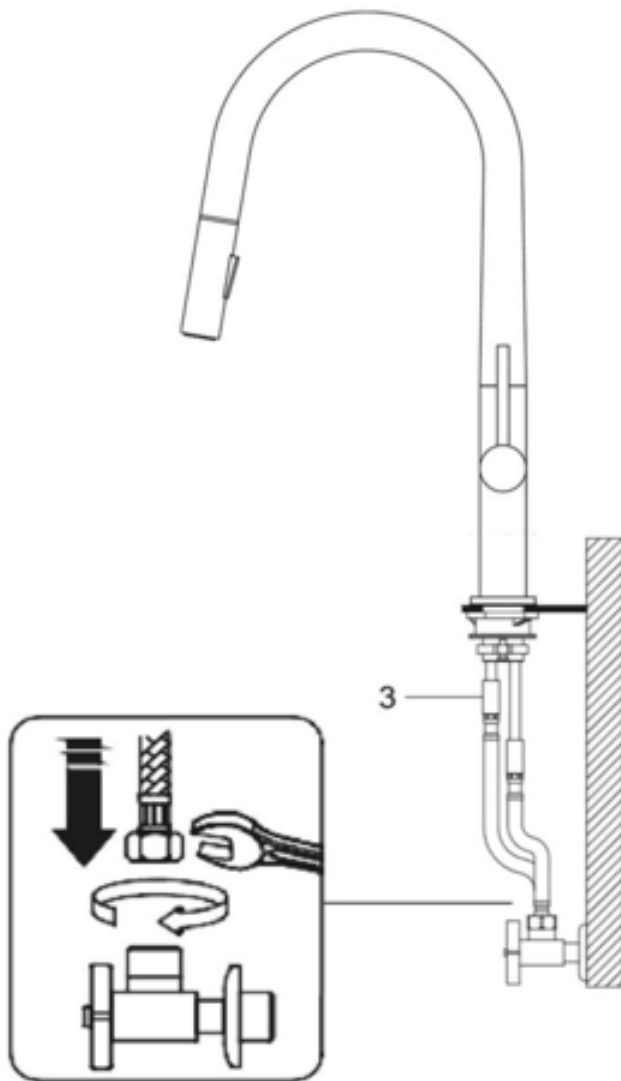
---



Connect spray hose (6) to quick connector (4) attached to supply line. Install weight (7) on lowest vertical point on spray hose (6).

## Step 5. Connect waterlines

---

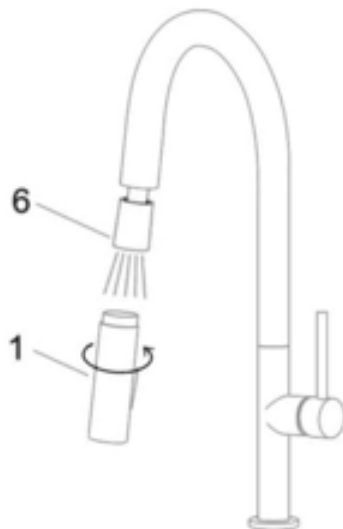


Connect waterlines (3) to angle stops. Tighten both ends of hose with a wrench until snug. Turn on hot and cold angle stops and check for leaks.

**NOTE:** Make sure filter washers are installed.

## Step 6. Flush spray hose

---

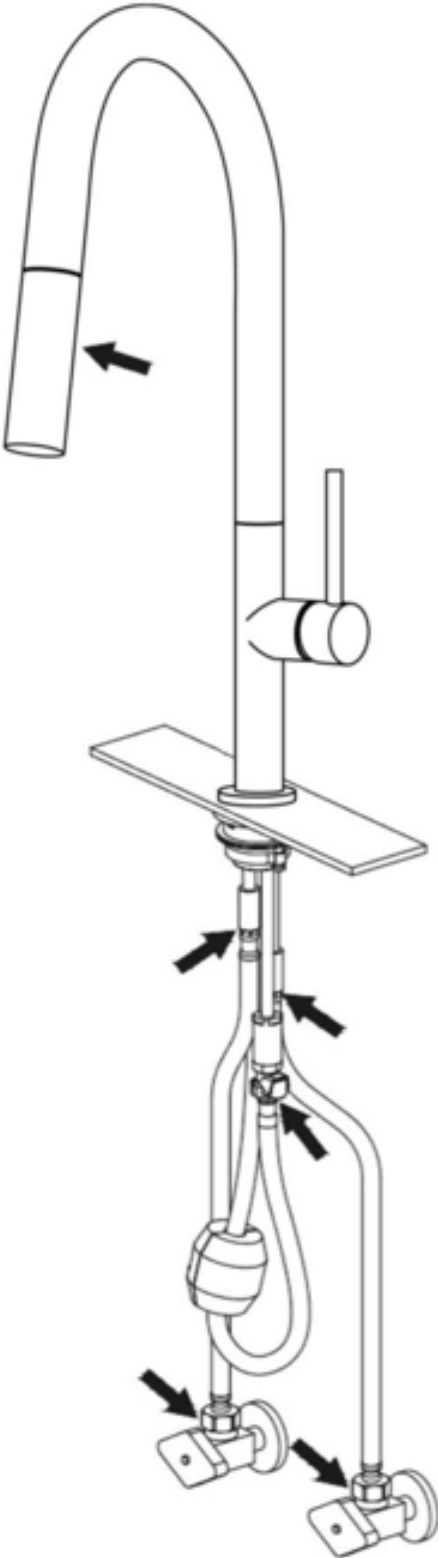


Un-screw spray head (1) from spray hose (6). Hold tip of spray hose (6). Turn faucet on and let the water run for 60 seconds to flush any debris.

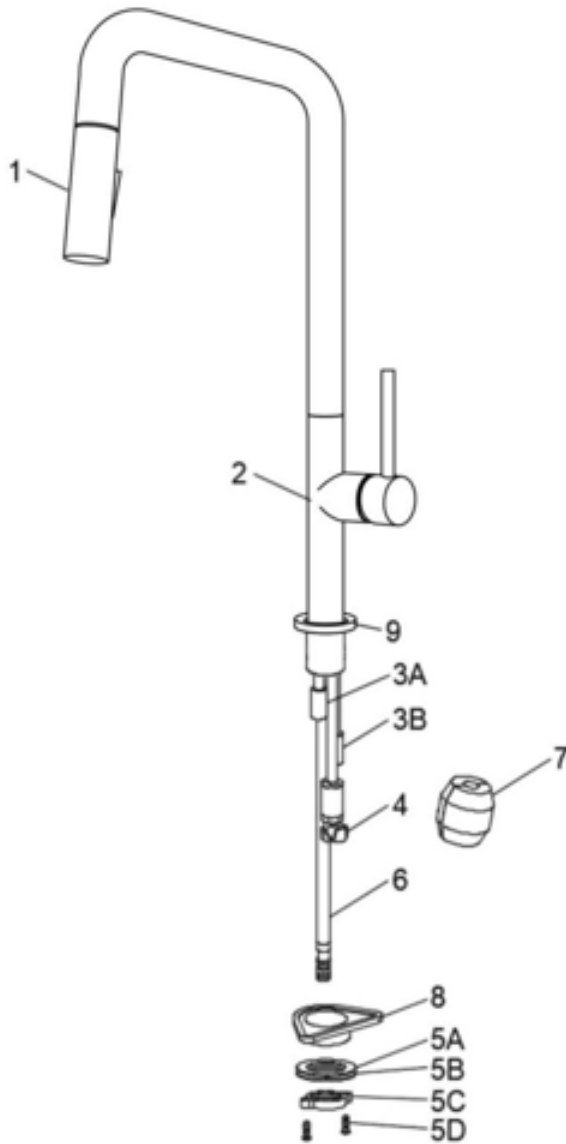
**Step 7. Check for leaks**

---

Check for leaks at the connections. Retighten if necessary.



## Diagram and Parts List



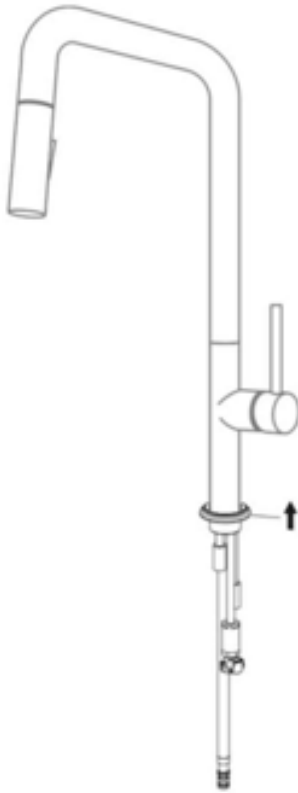
1. Spray Head
2. Faucet Body
3. Hot and Cold Waterlines
  - A. Cold
  - B. Hot
4. Quick Connector
5. Mounting Hardware
  - A. Rubber Washer
  - B. Metal Washer
  - C. Mounting Nut
  - D. Mounting Screws
6. Nylon braided hose
7. Weight
8. Cambox
9. Base O-Ring

### Tools you will need



## Step 1. Faucet installation - without deck plate

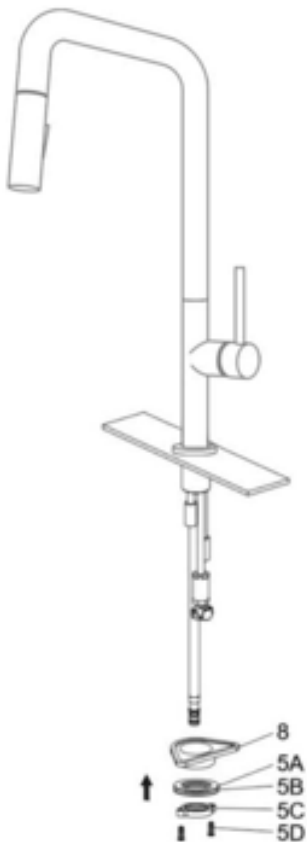
---



Insert Base O-ring.

## Step 2. Install faucet and mounting hardware

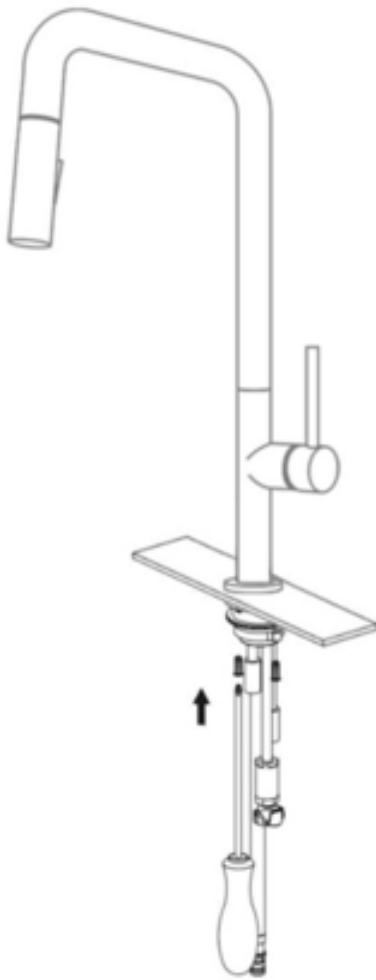
---



Insert faucet body (2) into hole in countertop or deck plate assembly. Install mounting hardware (8, 5A, B, C & D) from underneath the countertop.

### Step 3. Secure mounting hardware

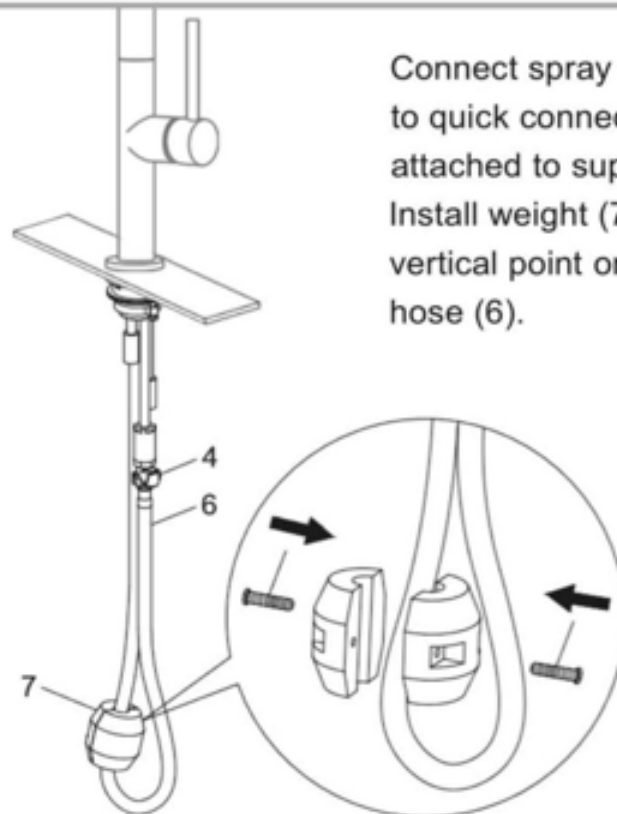
---



Adjust direction of faucet body (2) so that handle is on right side of faucet. Tighten mounting nut (5C) until snug. Tighten mounting screws (5D) to nut with a Phillips screwdriver until snug.

### Step 4. Attach spray hose and counterweight

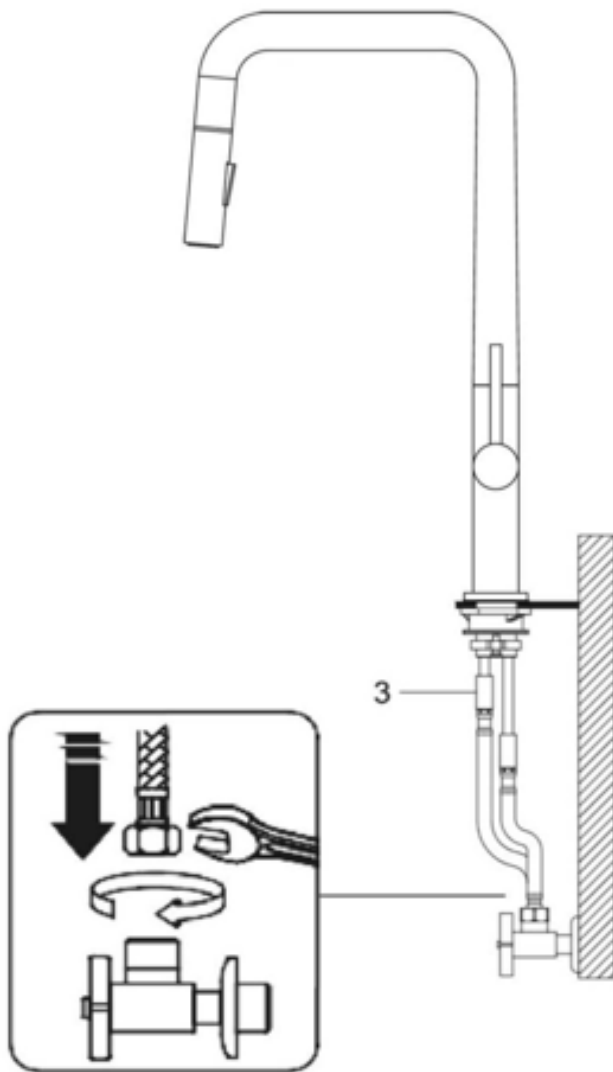
---



Connect spray hose (6) to quick connector (4) attached to supply line. Install weight (7) on lowest vertical point on spray hose (6).

## Step 5. Connect waterlines

---

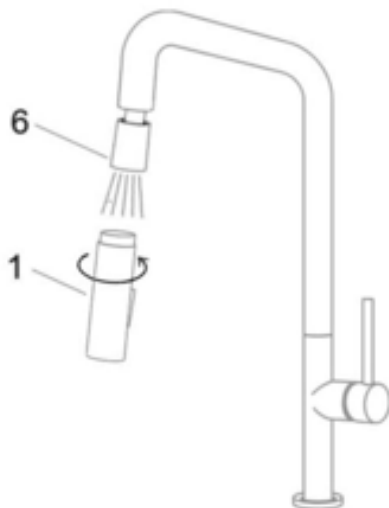


Connect waterlines (3) to angle stops. Tighten both ends of hose with a wrench until snug. Turn on hot and cold angle stops and check for leaks.

**NOTE:** Make sure filter washers are installed.

## Step 6. Flush spray hose

---

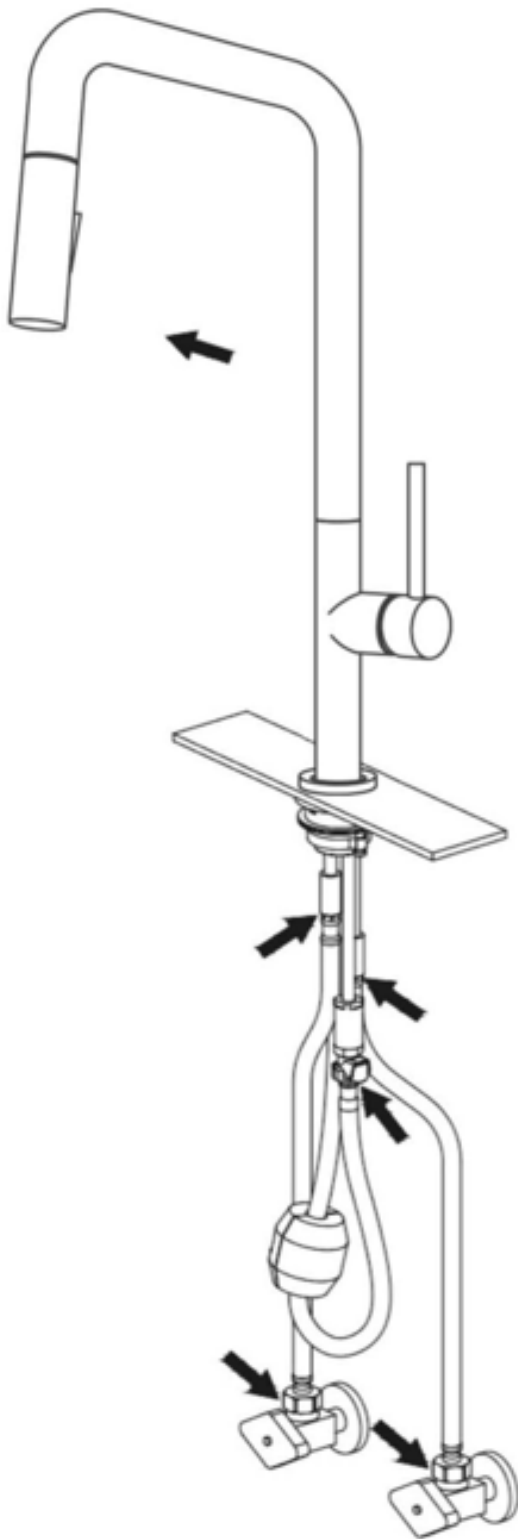


Un-screw spray head (1) from spray hose (6). Hold tip of spray hose (6). Turn faucet on and let the water run for 60 seconds to flush any debris.

## Step 7. Check for leaks

---

Check for leaks at the connections. Retighten if necessary.



## Codes/Standards Applicable:



NSF/ANSI Standard 61 certified by IAPMO  
NSF/ANSI Standard 372 certified by IAPMO



Meets ASME A112.18.1M/A112.18.1  
1.75GPM 6.6L/min maximum

## Care & Maintenance

\*To keep the product clean & shining, follow the steps below:

1. Rinse with clean water & dry with a soft cloth
2. Do not clean with soaps, acid, polish, abrasives, or harsh cleaners
3. Do not use cloth with a coarse surface



\*This installation manual is subject to change without further notice.