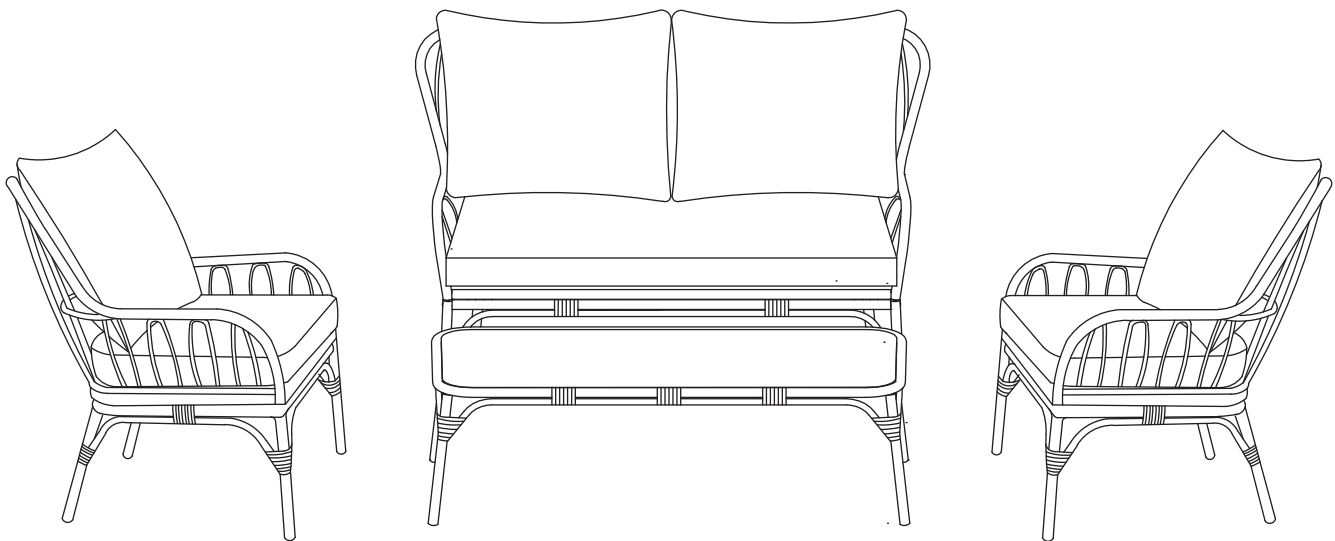


Item # 0000 000 000
Model # FRS50190-ST

HAMPTON BAY®

USE AND CARE GUIDE

SOUTHAMPTON 4PC DEEP SEATING SET



Questions, problems, missing parts? Before returning to the store,
call Hampton Bay Customer Service
8 a.m. - 7 p.m., EST, Monday – Friday, 9 a.m. – 6 p.m., EST, Saturday

1-855-HD-HAMPTON

HAMPTONBAY.COM

THANK YOU


We appreciate the trust and confidence you have placed in Hampton Bay through the purchase of this set. We strive continually to create quality products designed to enhance your home. Visit us online to see our full line of products available for your home improvement needs. Thank you for choosing Hampton Bay!


Table of Contents

Table of Contents	2	Pre-Assembly	3
Important Safety Instructions	2	Planning Assembly	3
Save These Instructions	2	Hardware Included	4
Read All Instructions before Use	2	Chair Package Contents	4
Warranty	3	Loveseat Package Contents	5
What is covered	3	Chair Assembly	6
What is not covered	3	Loveseat Assembly	7
		Care and Cleaning	8

Important Safety Instructions

SAVE THESE INSTRUCTIONS


 **WARNING:** THIS SET WAS MADE FOR THE EXPLICIT PURPOSE OF PROVIDING OUTDOOR FUNCTIONS AND IS NOT TO BE USED AS A TOY. THIS PRODUCT IS INTENDED FOR NORMAL OUTDOOR USE; HOWEVER, THE MANUFACTURER RECOMMENDS STORING AND/OR COVERING THIS PRODUCT WHEN ANY FORMIDABLE/SEVERE WEATHER IS APPROACHING.


 **WARNING:** DO NOT LOCATE THIS PRODUCT NEAR OPEN FLAMES. DO NOT USE THIS PRODUCT AS A SUPPORT. DO NOT SHAKE, LEAN OR CLIMB ON THE PRODUCT. CHILDREN UNDER THE AGE OF 10, NEAR THE PRODUCT, SHOULD BE SUPERVISED BY A COMPETENT ADULT AT ALL TIMES. THIS PRODUCT IS NOT INTENDED FOR COMMERCIAL USE AND WILL VOID THE WARRANTY.


READ ALL INSTRUCTIONS BEFORE USE


To reduce the risk of injury to persons:

1. Close supervision is necessary when this furnishing is used by or near children, or disabled persons, if applicable.
2. Use this furnishing only for its intended use as described in these instructions. Do not use attachments not recommended by the manufacturer.
3. Do not move the set while it is occupied. Failure to obey this caution could result in injury.


 **CAUTION:** When not in use, secure the product in a cool and covered location.

 **CAUTION:** Do not locate the product near any heat sources.

 **WARNING:** Weight limit for chair is 250lbs (113.39Kg).

 **WARNING:** Please keep children out of the assembly area before assembly.

 **WARNING:** This set is heavy, and may require two adults for safe assembly.

 **WARNING:** Never use this product as a support. Do not shake, lean, or climb on the product at any time.

 **WARNING:** Do not place heavy objects on the set.

Warranty

3 YEAR FRAME AND 3 YEAR FABRIC LIMITED WARRANTY

WHAT IS COVERED

We warrant the frames to be free of manufacturing defects to the original purchaser for three years, and a three year limited warranty for the fabric.

WHAT IS NOT COVERED

It remains the customer's responsibility for freight and packaging charges to and from our service center. This warranty does not cover commercial use, hardware, acts of nature, fire, freezing and abusive use. In addition, purchased parts are not covered under this warranty. We reserve the right to make substitutions with similar merchandise, if the model in question is no longer in production.

Contact the Customer Service Team at 1-855-HD-HAMPTON or visit www.HamptonBay.com.

Pre-assembly

PLANNING ASSEMBLY

Read all instructions before assembly.

To avoid damaging this product, assemble it on a soft, non-abrasive surface such as carpet or cardboard.



NOTE: More than one person may be required to assemble this product.

Pre-assembly (continued)

HARDWARE INCLUDED

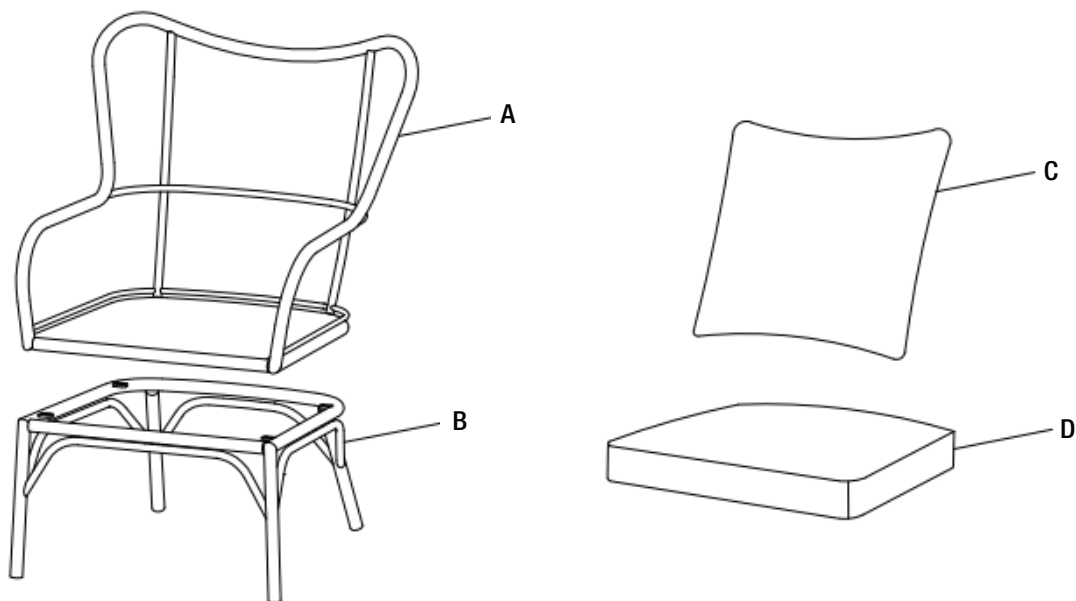


NOTE: Hardware not shown to actual size.



Part	Description	Quantity
AA	M6x20 Combination Bolt	14+1
BB	Hex Wrench	1

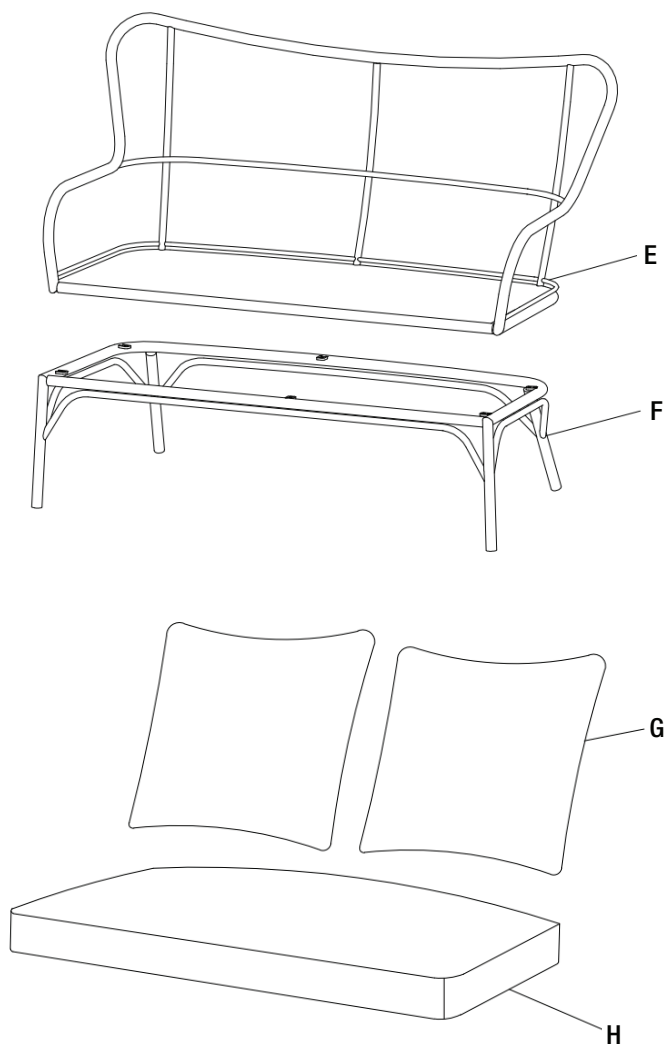
CLUB CHAIR PACKAGE CONTENTS



Part	Description	Quantity
A	Club Chair Bucket	2
B	Club Chair Base	2
C	Back Cushion	2
D	Seat Cushion	2

Pre-assembly (continued)

LOVESEAT PACKAGE CONTENTS



Part	Description	Quantity
E	Loveseat Bucket	1
F	Loveseat Base	1
G	Loveseat Back Cushion	2
H	Loveseat Seat Cushion	1

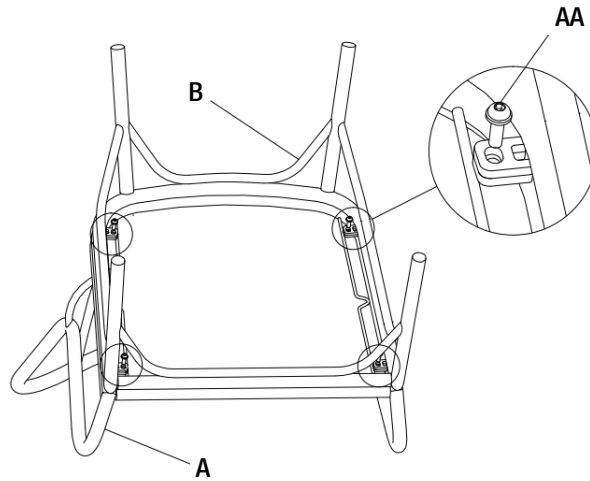
Chair Assembly

1 Attaching the Club Chair Base to the Club Chair Bucket



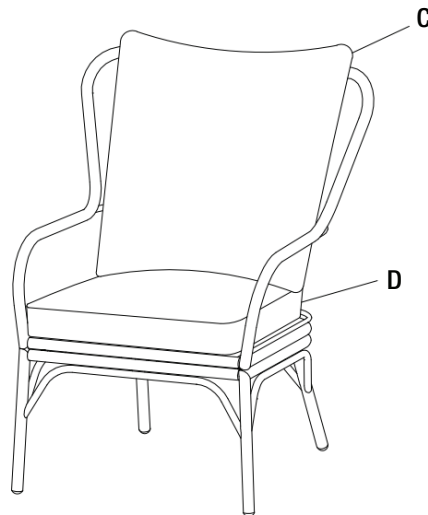
NOTE: Loosely tighten all bolts using the hex wrench (BB).

- Place the club chair bucket (A) upside down on a soft surface.
- Attach the club chair base (B) to the club chair bucket (A) using M6x20 combination bolts (AA).



2 Tightening All the Bolts

- Once all the bolts are in place, fully tighten all the bolts.
- Turn the club chair right side up.
- Place the seat cushion (D) and back cushion (C) on the club chair.
- Ensure all connections are secure before use.



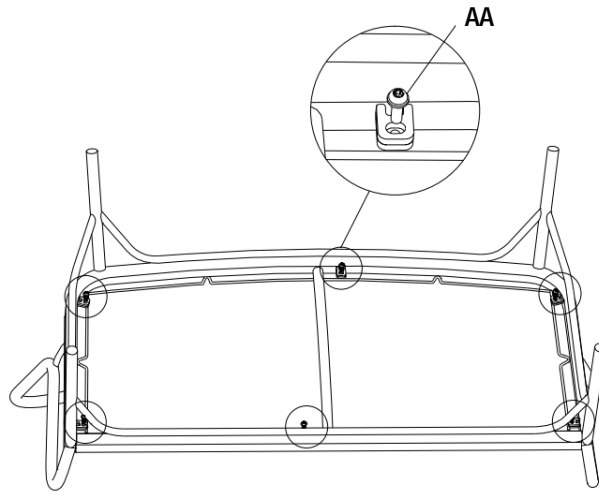
Loveseat Assembly

1 Attaching the Loveseat Base to the Loveseat Bucket



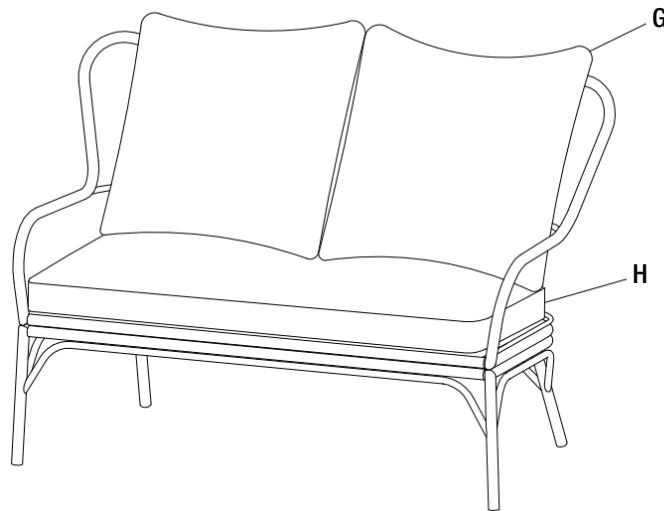
NOTE: Loosely tighten all bolts using the hex wrench (BB).

- Place the loveseat bucket (E) upside down on a soft surface.
- Attach the loveseat base (F) to the loveseat bucket (E) using M6x20 combination bolts (AA).



2 Tightening All the Bolts

- Once all the bolts are in place, fully tighten all the bolts.
- Turn the loveseat right side up.
- Place the seat cushion (H) and back cushions (G) on the loveseat.
- Ensure all connections are secure before use.



Care and Cleaning

- For best results, clean the frame and fabric with a damp cloth and dry thoroughly. This will help prevent mildew by removing dirt particles that may accumulate.
- Do not clean with abrasive materials, bleach or solvents.
- Store the set in a dry sheltered place when not in use.
- Keep the set away from fire, extreme heat, freezing conditions, and inclement weather such as rain, hail, sleet, snow, or wind.

HAMPTON BAY[®]

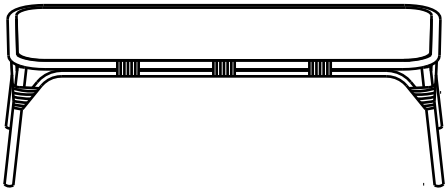
Questions, problems, missing parts? Before returning to the store,
call Hampton Bay Customer Service
8 a.m. – 7 p.m., EST, Monday – Friday, 9 a.m. – 6 p.m., EST, Saturday

1-855-HD-HAMPTON

HAMPTONBAY.COM

Retain this manual for future use.

For certification use only
Factory club chair ID # FRS50190 Factory loveseat ID # FRS50191



HAMPTON BAY®

ITEM # 1000 000 000

MODEL # FRS50190-ST

Southampton 4pc Deep Seating Set - Table Use and Care Guide

Important Safety Instructions

SAVE THESE INSTRUCTIONS



WARNING: This table was made for the explicit purpose of providing outdoor functions and is not to be used as a toy. This product is intended for normal outdoor use; however, the manufacturer recommends storing and / or covering this set when any formidable / severe weather is approaching.



WARNING: Do not locate this product near open flames. Do not use this product as a support. Do not shake, lean or climb on the product. Children under the age of 10, near the product, should be supervised by a competent adult at all times. This product is NOT intended for commercial use and will void the warranty.

READ ALL INSTRUCTIONS BEFORE USE

To reduce the risk of injury to persons:

1. Close supervision is necessary when this product is used by or near children, or disabled persons, if applicable.
2. Use this furnishing only for its intended use as described in these instructions. Do not use attachments not recommended by the manufacturer.



WARNING: Do not place heavy objects on the table.



WARNING: When not in use, secure the product in a cool and covered location.



CAUTION: Do not locate the product near any heat source.

Warranty

3 YEAR FRAME LIMITED WARRANTY

WHAT IS COVERED

We warrant the frame to be free of manufacturing defects to the original purchaser for three years.

WHAT IS NOT COVERED

It remains the customer's responsibility for freight and packaging charges to and from our service center.

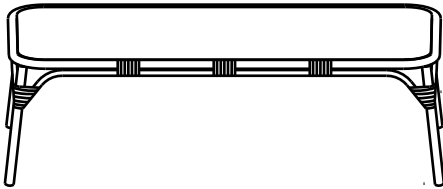
This warranty does not cover commercial use, hardware, acts of nature, fire, freezing, and abusive use. In addition, purchased parts are not covered under this warranty. We reserve the right to make substitutions with similar merchandise, if the model in question is no longer in production.

Contact the Customer Service Team at 1-855-HD-HAMPTON or visit www.HamptonBay.com.

Operation

1 Using the table

- Always place the table on a hard, level surface.



For certification use only
Factory table ID # FWS50036G

Care and Cleaning

- For best results, clean the frame with a damp cloth, and dry thoroughly. This will help prevent mildew by removing dirt particles that may accumulate.
- Do not clean with abrasive materials, bleach or solvents.
- Store the table in a dry, sheltered place when not in use.
- Keep the table away from fire, extreme heat, freezing conditions, and inclement weather such as rain, hail, sleet, snow, or wind.