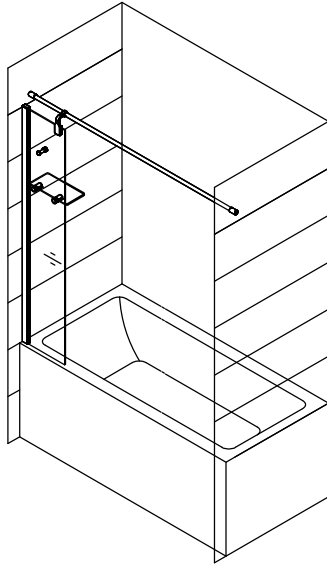


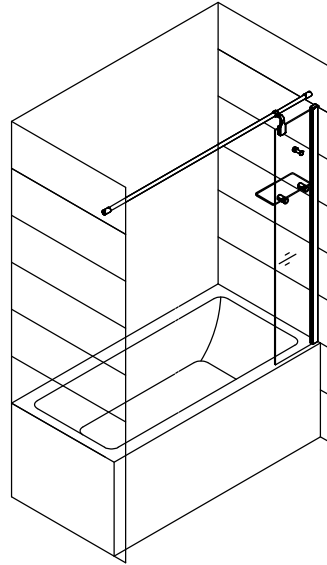


POSEIDON

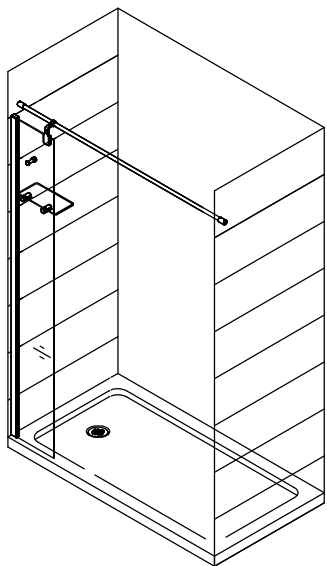
Splash Guard Installation Guide



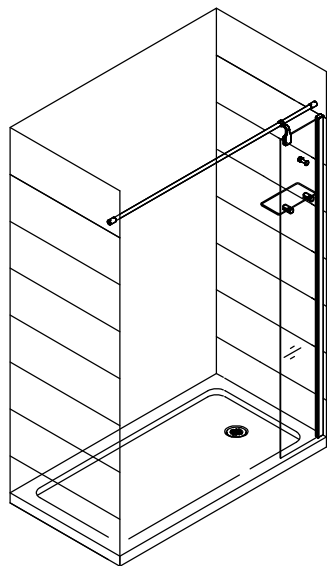
Left Tub-Door
Installation



Right Tub-Door
Installation



Left Shower-Door
Installation



Right Shower-Door
Installation

BEFORE YOU START

Read all the instructions and safety information before installing the product.

When unpacking the product, please verify the contents are complete, and everything is undamaged. Verify all the components against the lists and pictorials on page (3 & 4).

This product is to be installed with the anchors supplied onto solid walls only. If in doubt, please seek professional recommendations.

The manufacturer is not held responsible for any installation errors or damages that may result.

Ensure that the product is fitted to a non-porous surface. Check that the wall surface is flat.

Check to confirm that the bathtub has been installed correctly and that it is leveled.

Ensure that the install area is clean, dry, and dust free.

SAFETY INFORMATION

Please consult local building codes and compliance standards prior to installation and ensure conformity.

Use safety eyewear, gloves, and other equipment as needed to prevent injury.

The glass is tempered and cannot be reworked or replaced by ordinary glass.

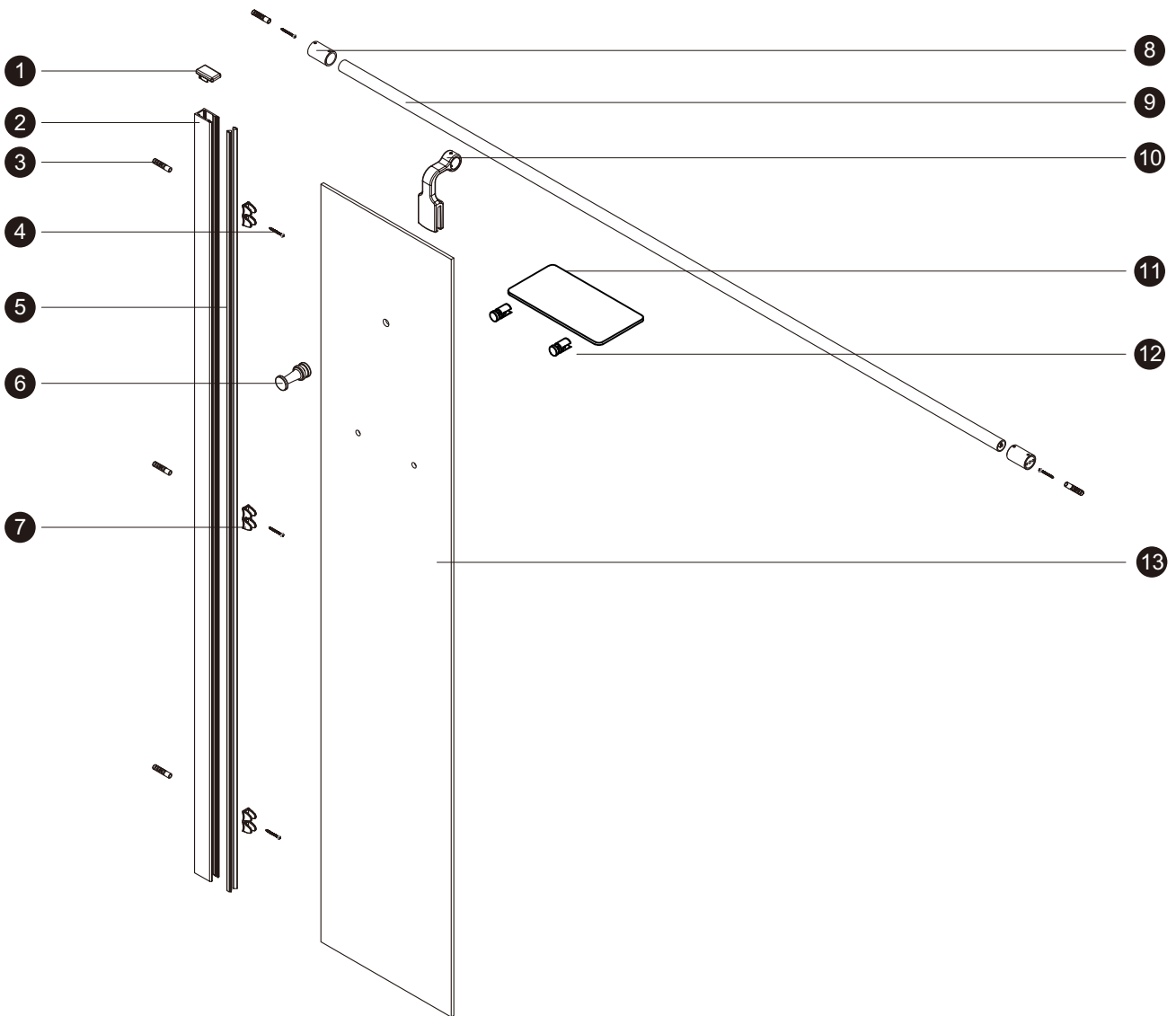
Check walls prior to drilling for hidden pipes, cables, or other obstructions.

This produce may be heavy and will require 2 people to carry and install.

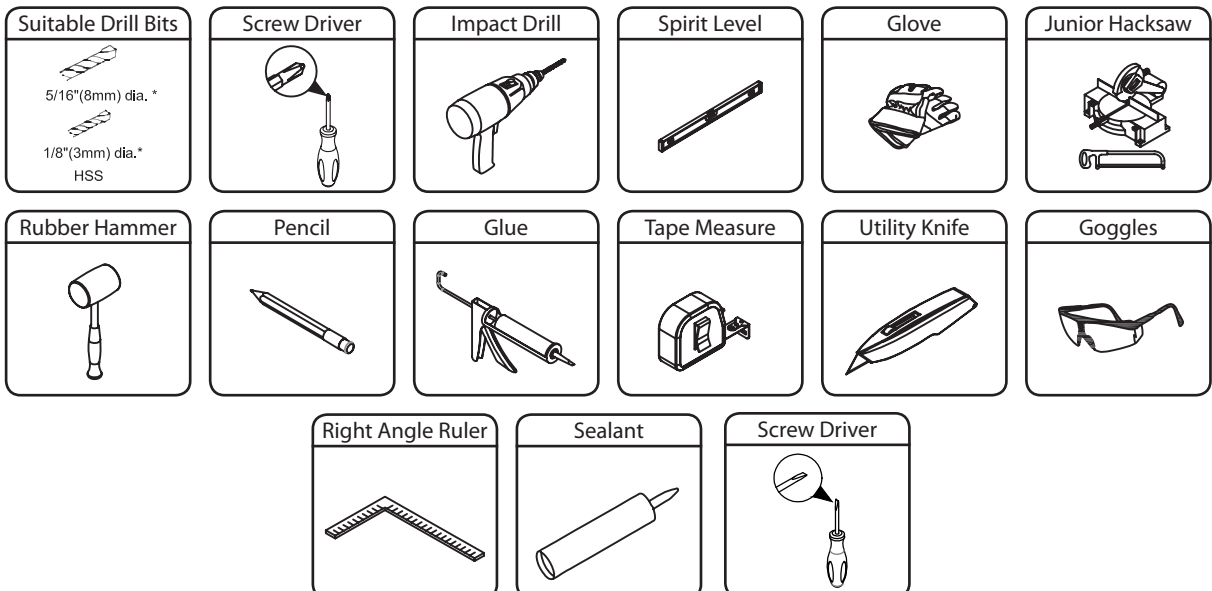
Keep small parts and components away from children and pets.

Handle all the glass components with care.

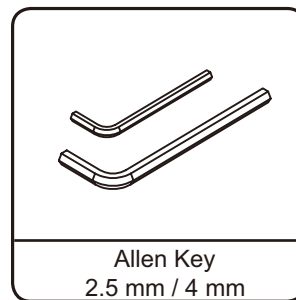
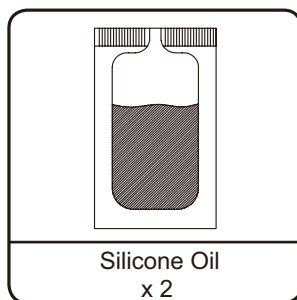
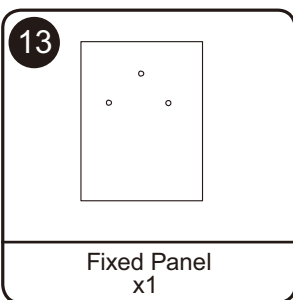
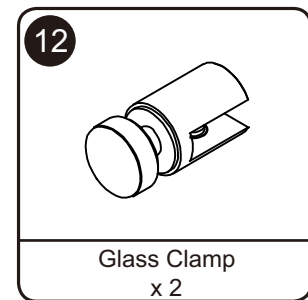
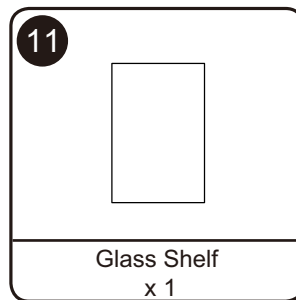
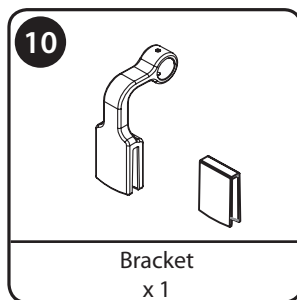
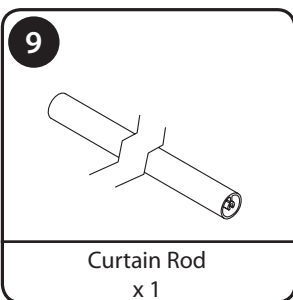
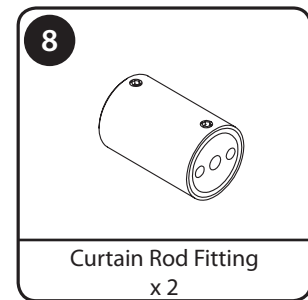
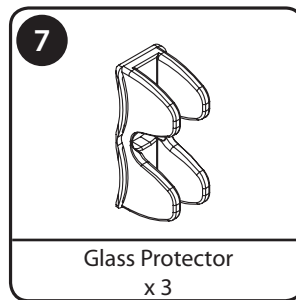
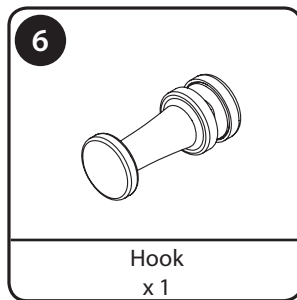
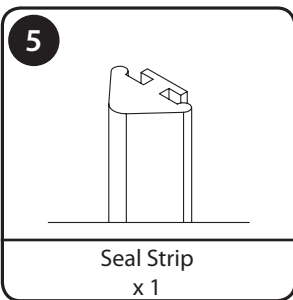
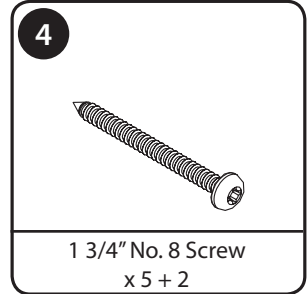
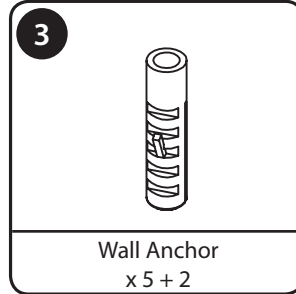
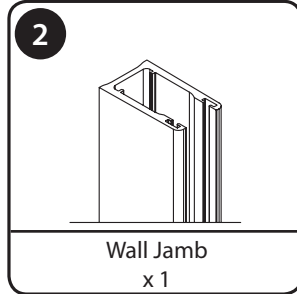
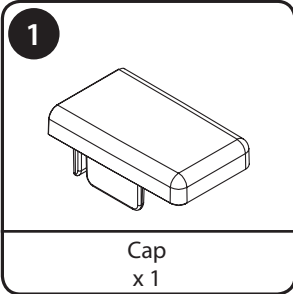
COMPONENTS SUPPLIED



TOOLS REQUIRED



COMPONENTS SUPPLIED



WALL JAMB INSTALLATION

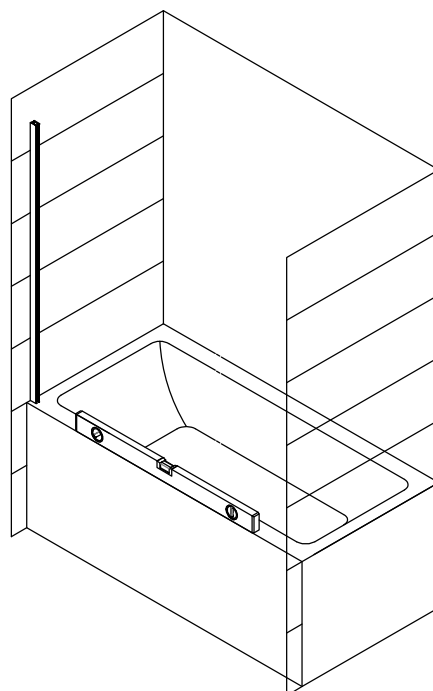
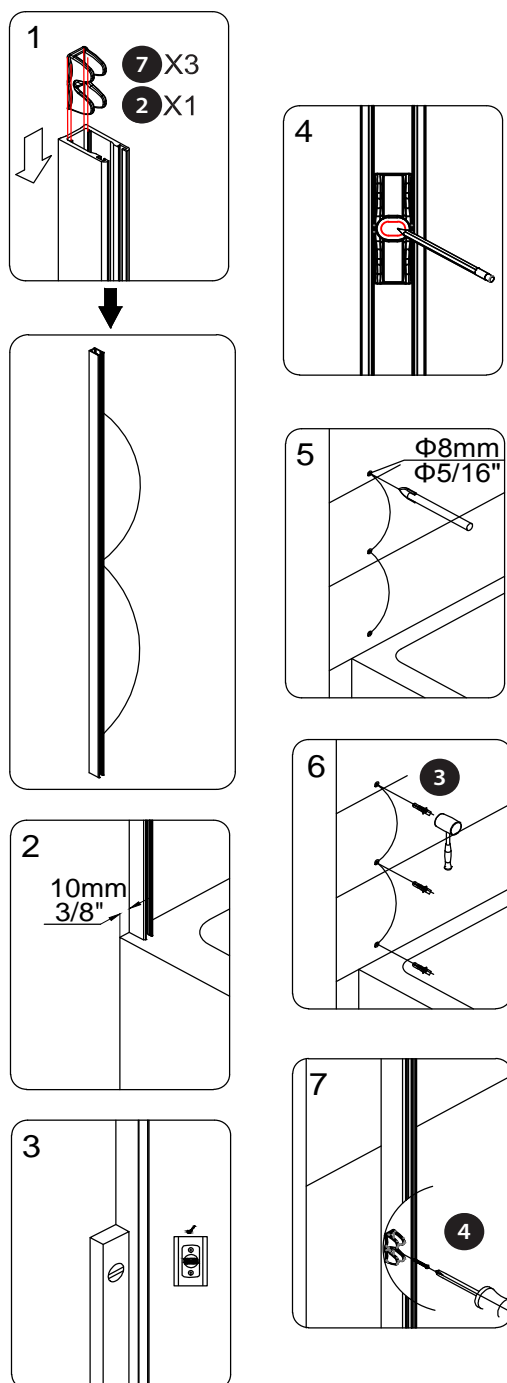
Insert the glass protectors (part#7) into the wall jamb groove.
-see below illustration 1 for reference.

Place the wall jamb (part#2) next to the wall vertically. We recommend placing it about 3/8" or 10mm away from the edge of the bathtub or shower base. Mark the drilling position with a pencil.
-see below illustration 2,3,4,5 for reference.

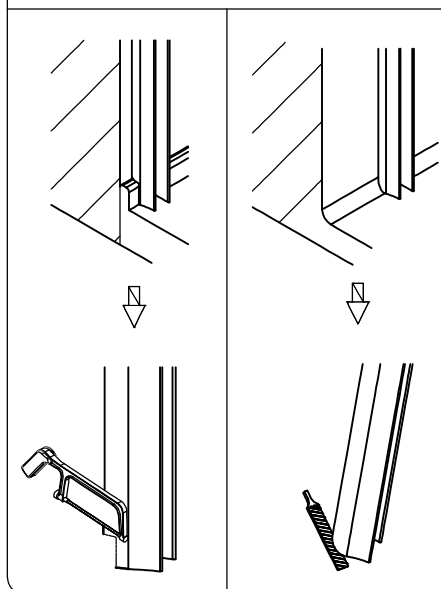
Use a drill with a 5/16"(8mm) drill bit to drill a hole into the wall or tile. Apply the anchors (part#3) with a rubber hammer and then secure the wall jamb with the screws provided (part#4).
-see below illustration 6&7 for reference.

NOTE: Please make the necessary adjustments in accordance to the actual situation of the bathtub or shower base.

-see below illustration for reference.



NOTE:
Please process the wall jamb according to the actual installed bathtub or shower base.



FIXED PANEL INSTALLATION

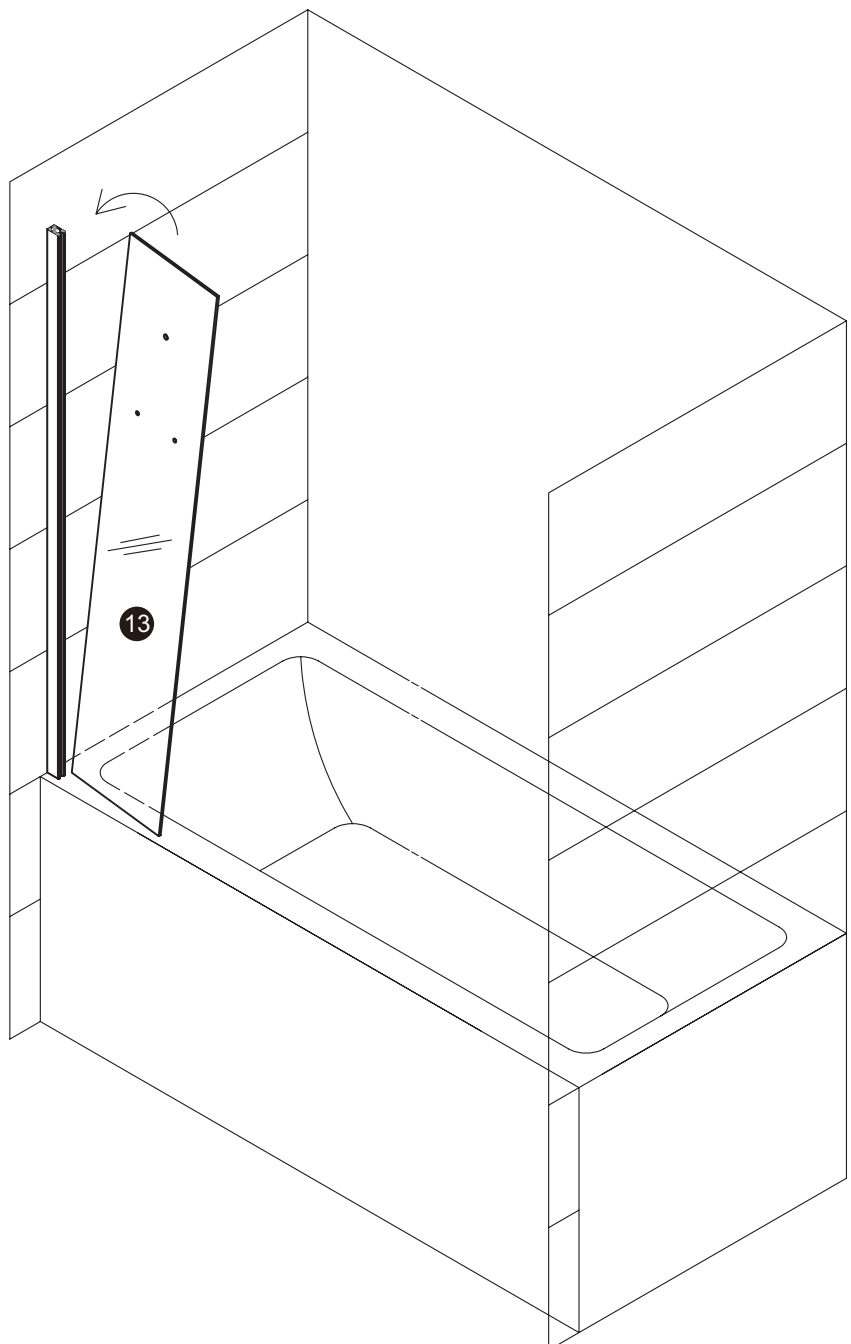
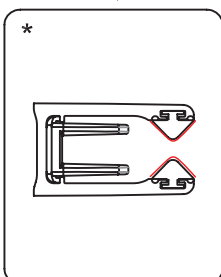
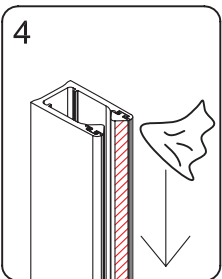
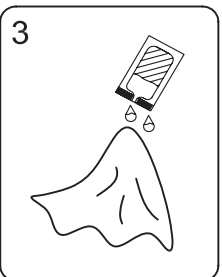
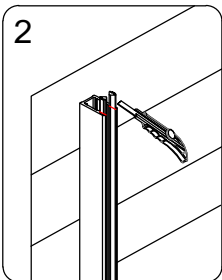
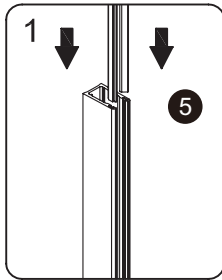
Cut the seal strip (part#5) evenly into 2 pieces. Insert them into the wall jamb-following the flow of the groove. Trim the excess.

-see below illustration 1 & 2 for reference.

Pour the silicone oil provided onto a cloth and apply to the surface of the seal strip evenly.

-see below illustration 3 & 4 for reference.

Insert the fixed panel (part#13) in between the seal strip.

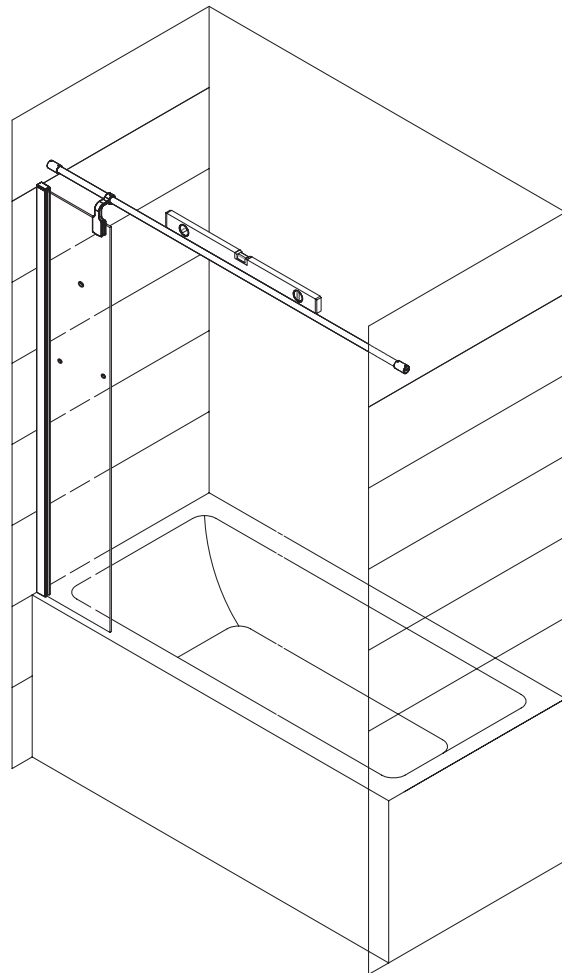
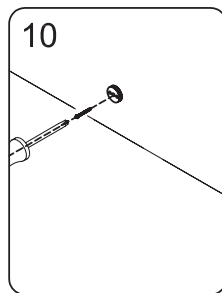
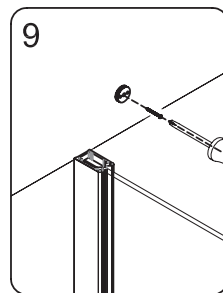
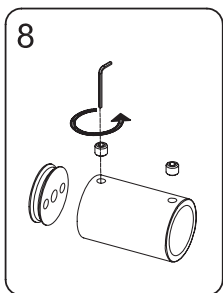
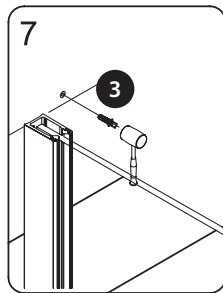
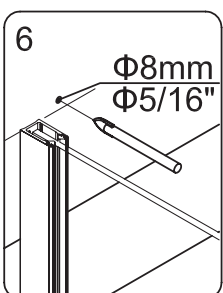
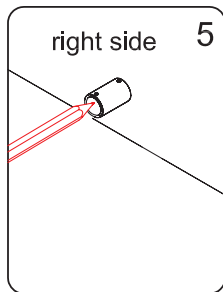
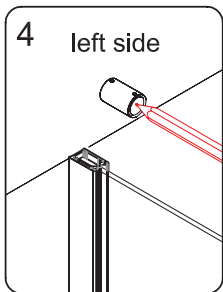
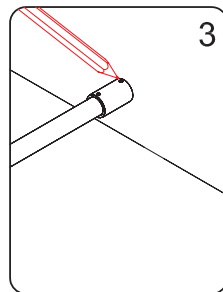
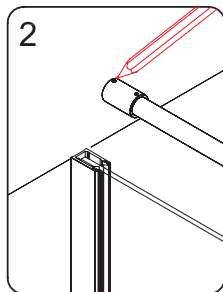
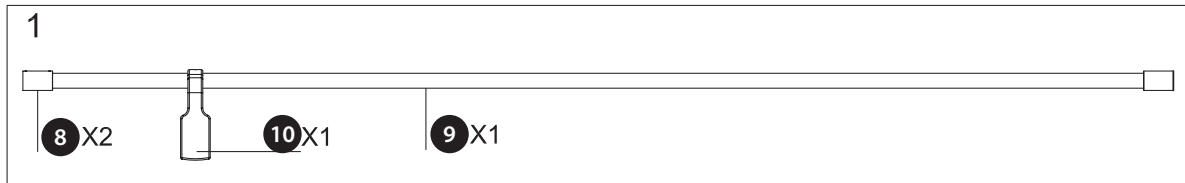


CURTAIN ROD INSTALLATION

Match the curtain rod (parts#8 & #10) as shown in figure 1.

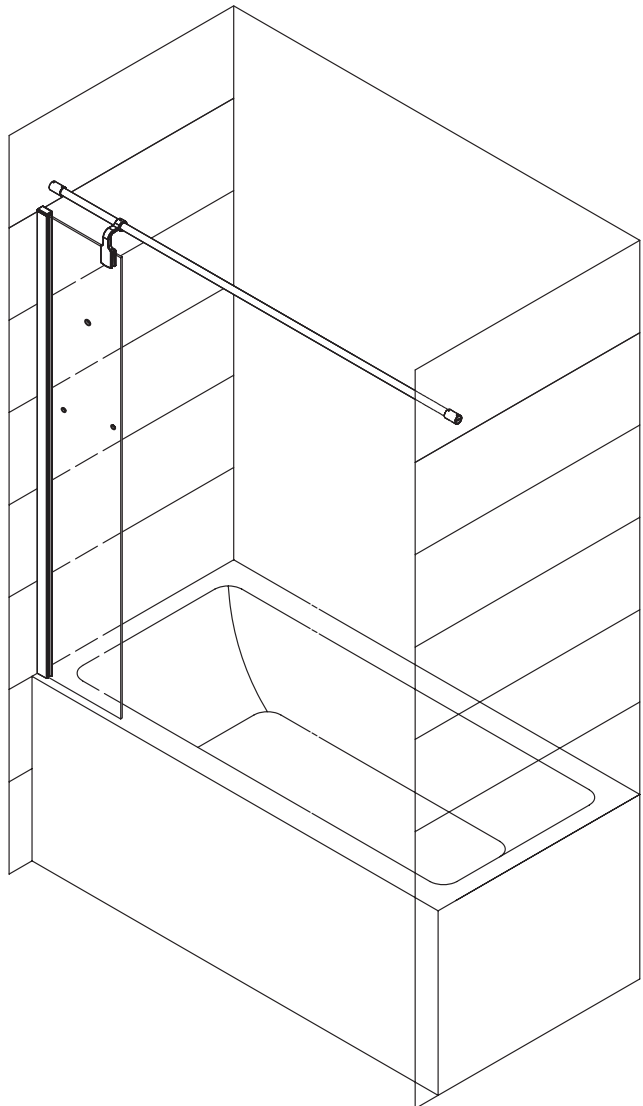
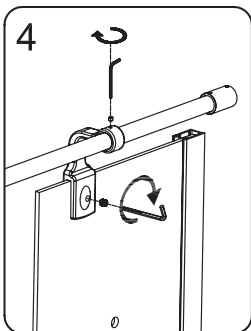
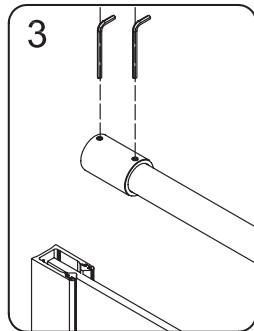
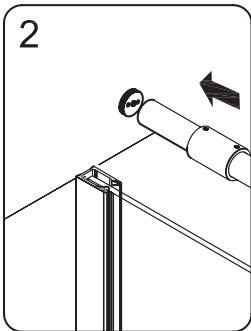
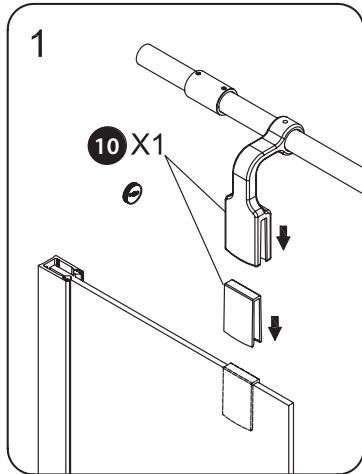
Make sure the curtain rod is leveled and mark the location of the fitting (part#8)

Use the screws and anchors provided and proceed to drill into position the fitting to the wall with a drill and suitable drill bit ($5/16''$ -8mm). Loosen the fitting as need with Allen key provided. -see below illustration 2-10 for reference.



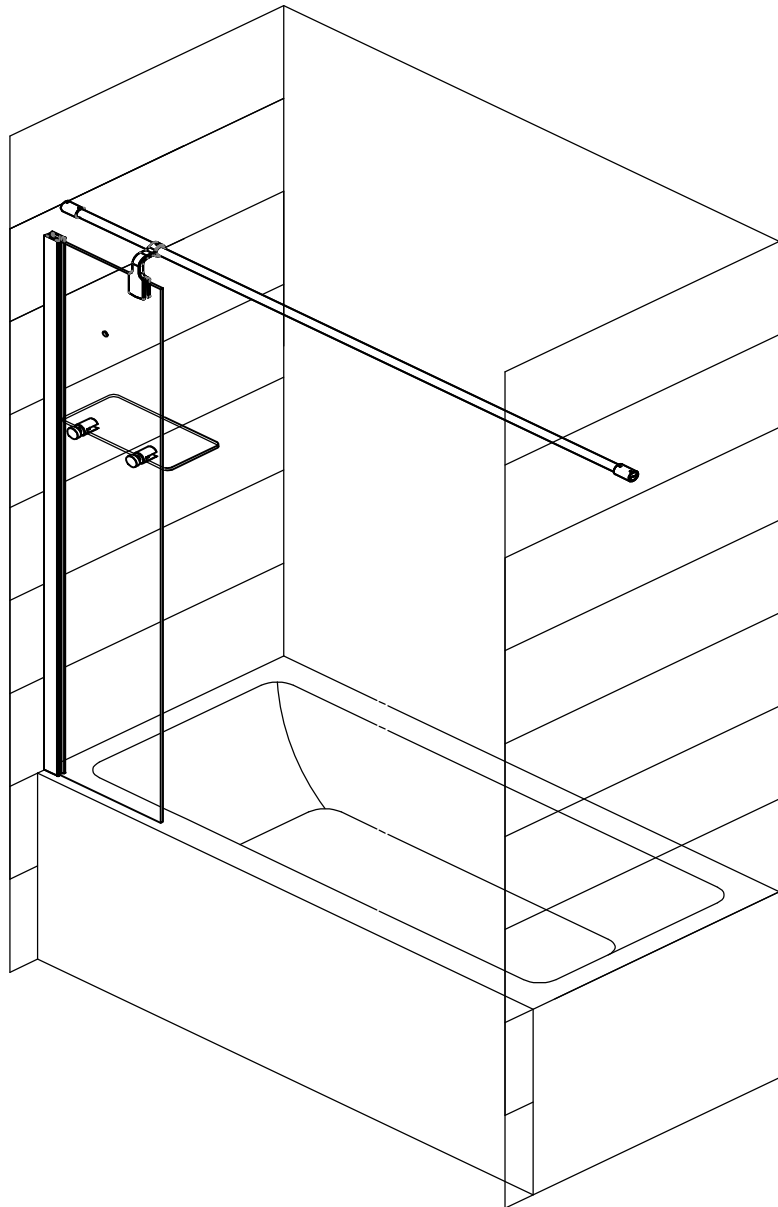
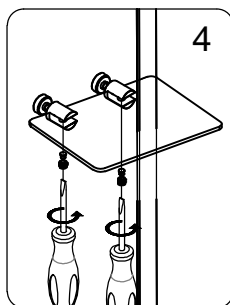
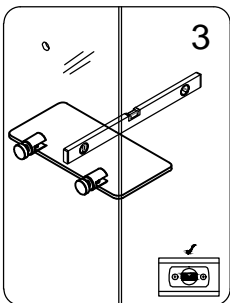
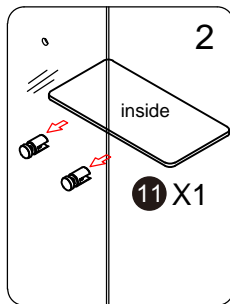
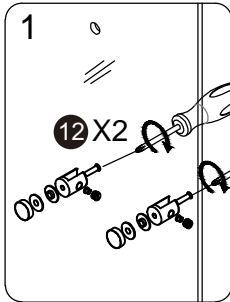
CURTAIN ROD INSTALLATION

Install the curtain rod and tighten the screws using the Allen key.
-see below illustration 1-4 for reference.



GLASS SHELF INSTALLATION

Install the glass clamps (part#12) onto the fixed panel. Install the glass shelf (part#11) onto the glass clamps. Make sure the shelf is leveled and then tighten it with the screws provided. -see below illustration 1-4 for reference.

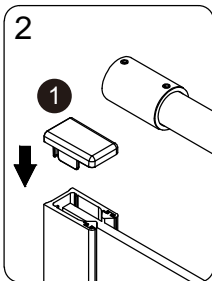
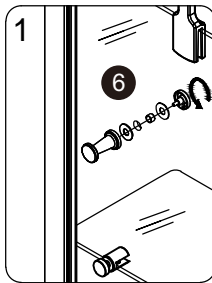
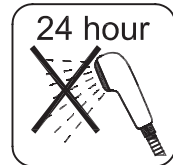


WARNING: This shelf is engineered to ONLY support small hotel size / travel size toiletries (typically less than 6 ounces) and / or a Soap Box Dish all totaling less than 4 lbs.

HOOK INSTALLATION / SEALING

Install the hook (part#6) onto the fixed panel. Install the cap (part#1) on the top of the wall jamb. Apply silicone sealant around the outside and inside of the wall jamb and fixed panel.

NOTE: Allow 24 hours for the silicone th dry.



! Silicone Sealant (not supplied by Factory).

