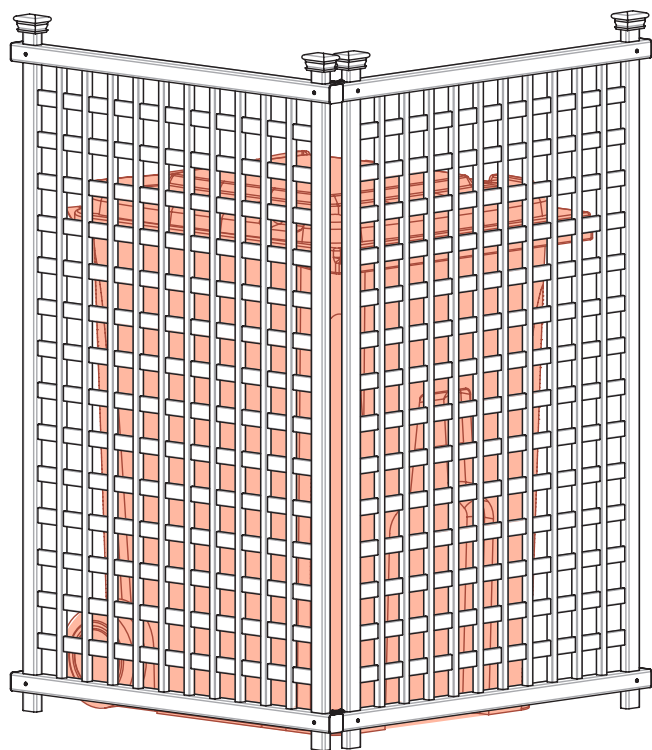


# ENCLO

HIDE IT WITH STYLE



## Highland

Vinyl Privacy Lattice  
Screen (2-Pack)

36" W x 57" H

**90 min**

*Approximate assembly time  
(2 people are recommended for  
assembly/installation)*



**Scan the QR code**  
*for an assembly video*



## ASSEMBLY INSTRUCTIONS

ZP19047

[www.encloscreens.com](http://www.encloscreens.com)

VER. 090622

## GENERAL INFORMATION

### IMPORTANT

- › Check the inside of the larger pieces in your box for other materials packed inside.
- › When assembling components, place on a non-abrasive surface (i.e. shipping box) to avoid scratching.
- › We recommend an area approximately 5'x 8' for unobstructed assembling.
- › You should not need to use excessive force when assembling components.

## MISSING OR DAMAGED PARTS?

### VISIT OUR WEBSITE FIRST, SO WE CAN HELP YOU RIGHT AWAY!

Although great care has been taken to ensure proper packaging and handling of this product, occasionally problems occur. If you discover any missing, damaged or defective parts, please visit our website to order replacement parts. If you experience any further trouble with your product, please contact our customer service department.

 [parts.nychbrands.com](http://parts.nychbrands.com)

 [support@encloscreens.com](mailto:support@encloscreens.com)

 **704-892-5222 / 877-234-6196**

*Customer service agents are available to take calls weekdays from 8am-5pm EST. If you call outside of business hours, please leave a voicemail.*

To help you quickly and accurately, please have reference item number **ZP19047** and the specific part name which can be found on page 4. It is helpful if you can provide the batch lot which is a stamped number on the end of the box.

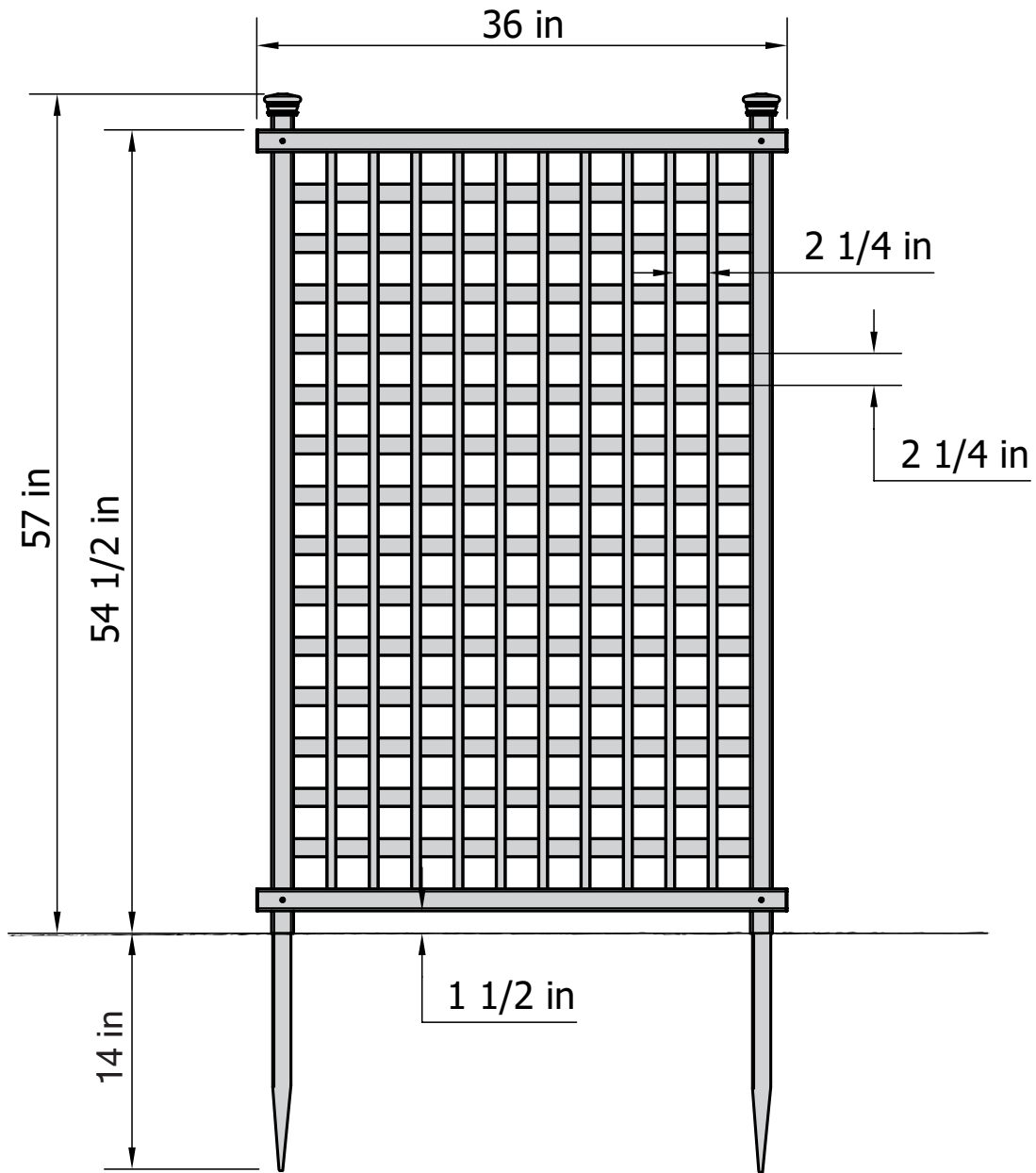
## NEED ASSEMBLY HELP?

If you are having problems with the assembly or installation of this product, we are happy to assist you with the process, **so please give us a call at 704-892-5222 / 877-234-6196.**

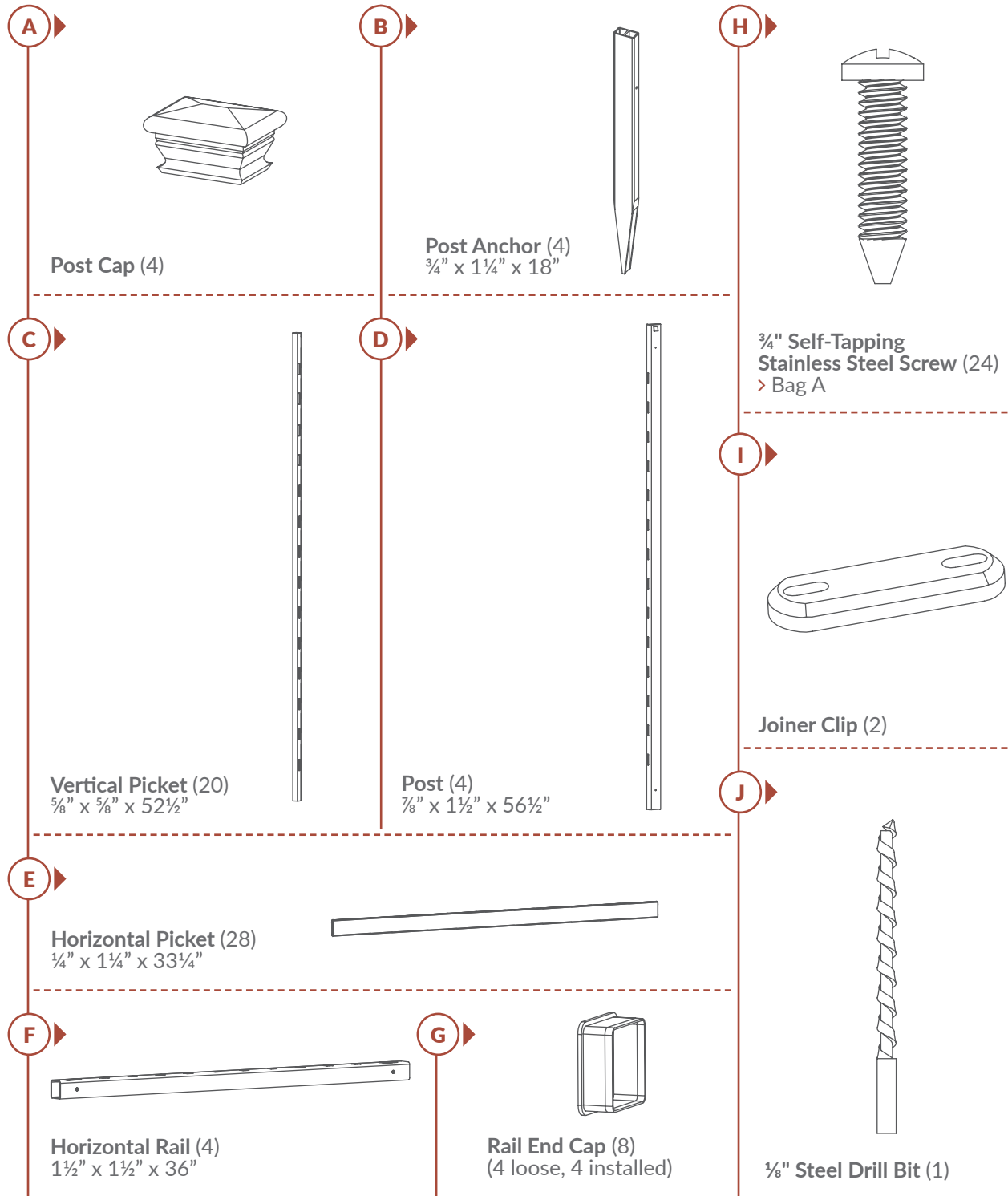
## NEED TO RETURN?

If for some reason you need to return this product, please allow us to help resolve your issues first. If you still decide to return the product, **you will need to initiate the return from the company you originally purchased from.**

## Detailed Product Dimensions & Specifications



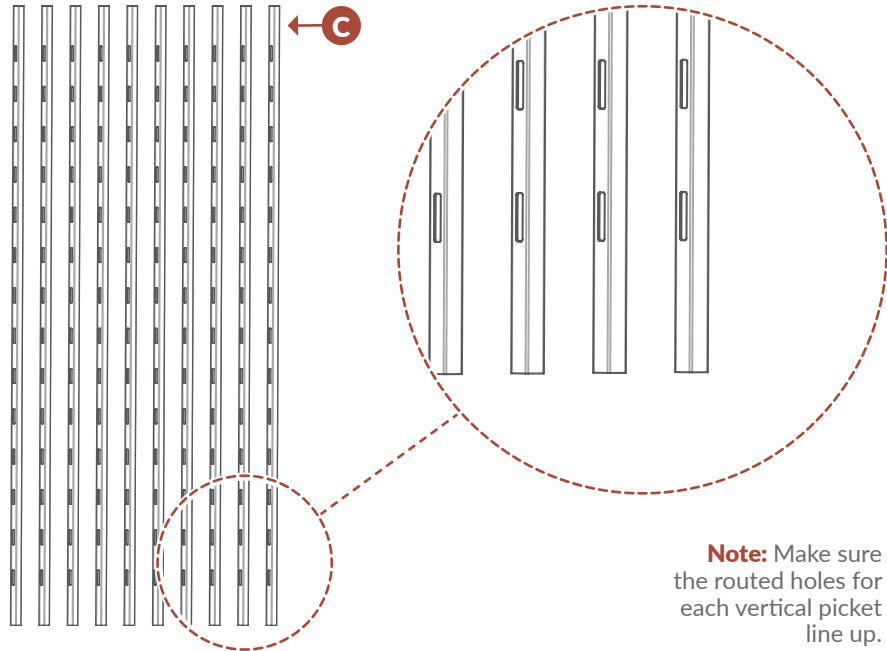
# STEP 1: LAY OUT MATERIALS



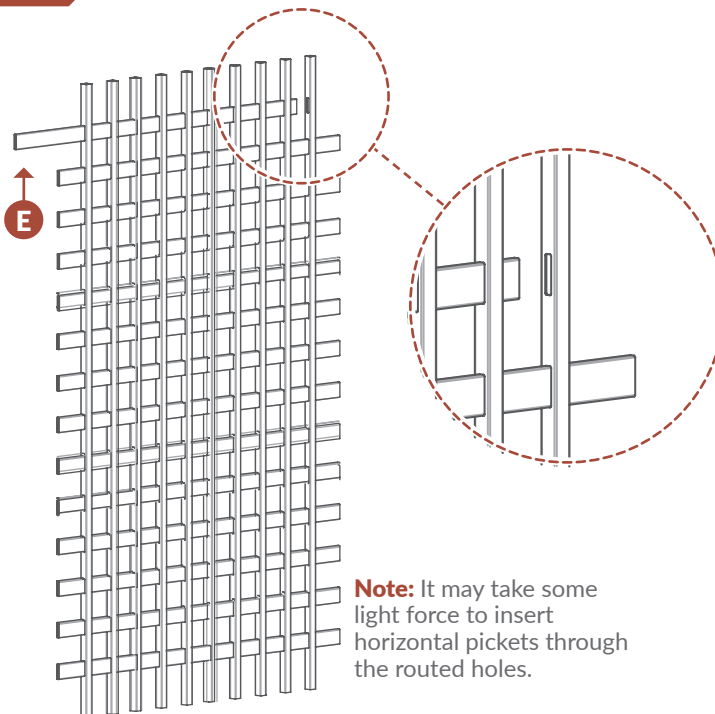
## STEP 2: ASSEMBLE THE PICKET GRID

### STEP 2.1

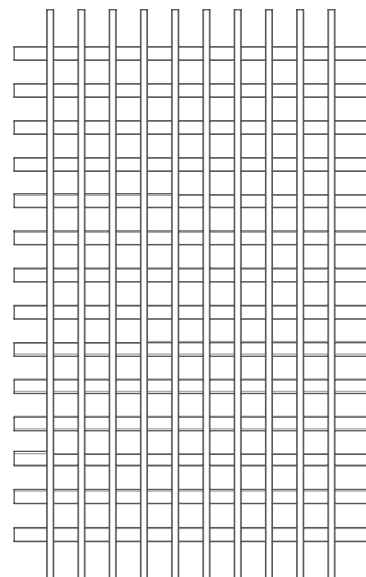
▶ Take (10) Vertical Pickets (**C**), and arrange them as shown.



### STEP 2.2



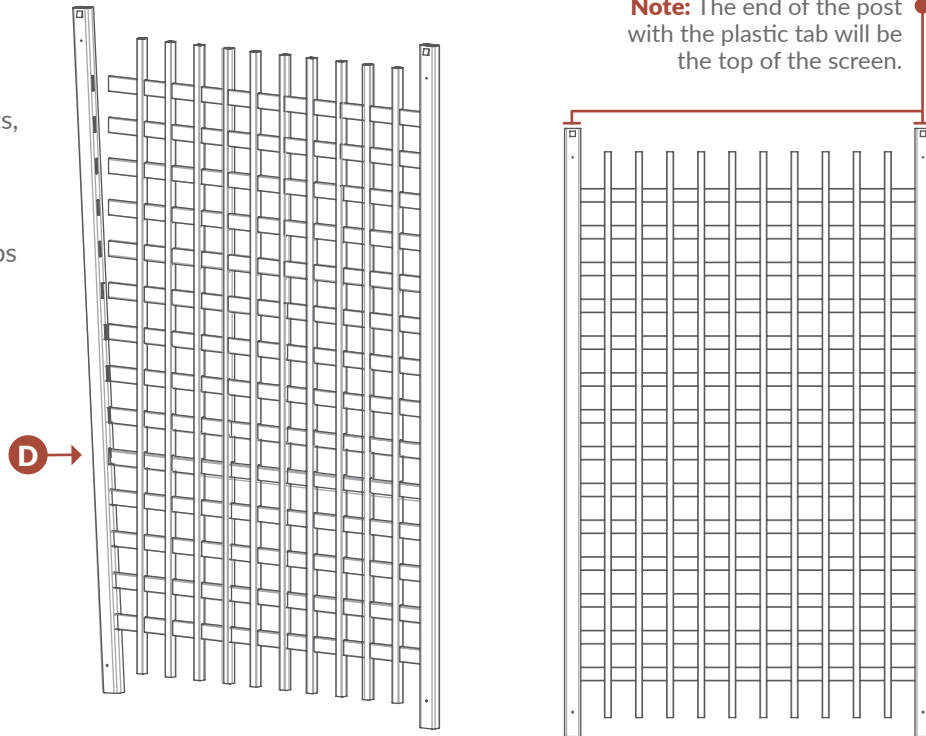
▶ Insert (14) Horizontal Pickets (**E**) through the routed holes in the vertical pickets.



## STEP 3: ATTACH THE POSTS

### STEP 3.1

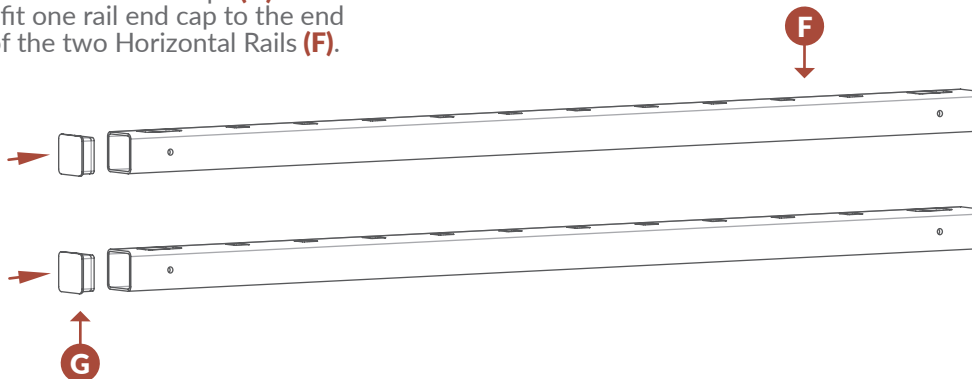
▶ Starting with one Post (D), slowly slide the horizontal pickets, one by one, into the routed holes in the post. Do the same for the second post, ensuring that the tabs of the posts are at the same end of the screen as shown.



## STEP 4: ATTACH THE RAILS

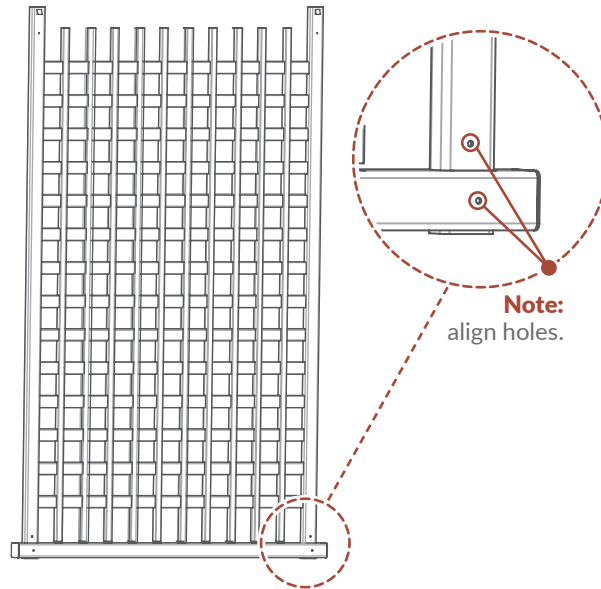
### STEP 4.1

▶ Take (2) loose Rail End Caps (G) and pressure fit one rail end cap to the end of each of the two Horizontal Rails (F).



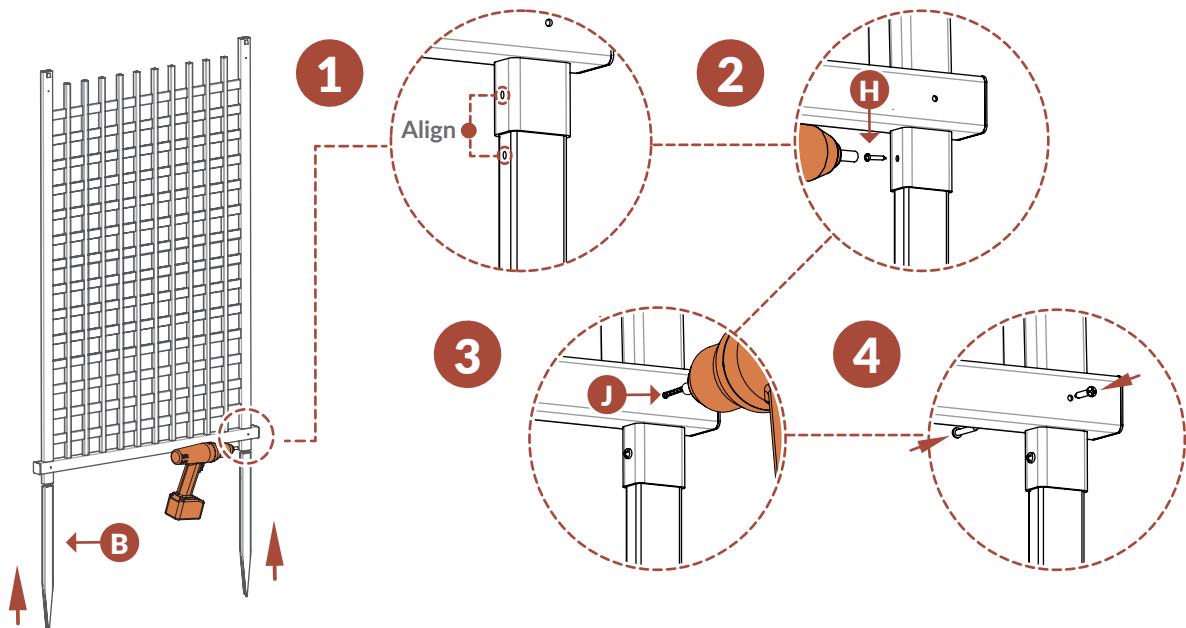
## STEP 4.2

► Ensuring the routed holes are facing up, slide one rail over the bottom of the posts. Slide the rail up and guide the vertical pickets into the routed holes. Continue sliding the rail up until the pre-drilled holes in the rail and posts align.



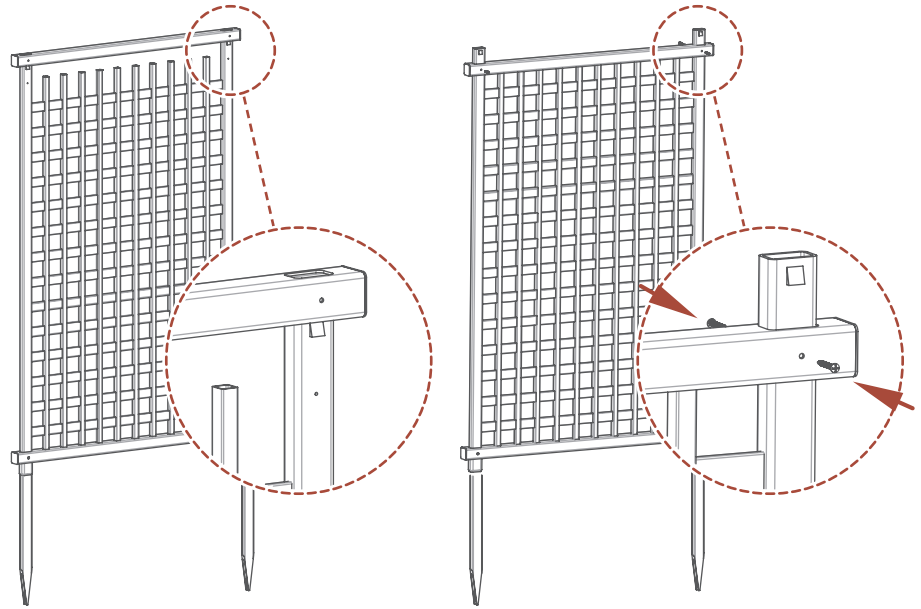
## STEP 4.3

1. Slide the Post Anchors (**B**) into the post until the pre-drilled hole in the anchor aligns with the pre-drilled hole in the post.
2. Drive (2) 3/4" Self-Drilling Stainless Steel Screws (**H**) into the pre-drilled holes in the posts.
3. Use the 1/8" Drill Bit (**J**) to drill (4) total holes in the post anchor through the pre-drilled holes in the bottom rail.
4. Drive (4) 3/4" self-drilling stainless steel screws into the pre-drilled holes in the bottom rail.

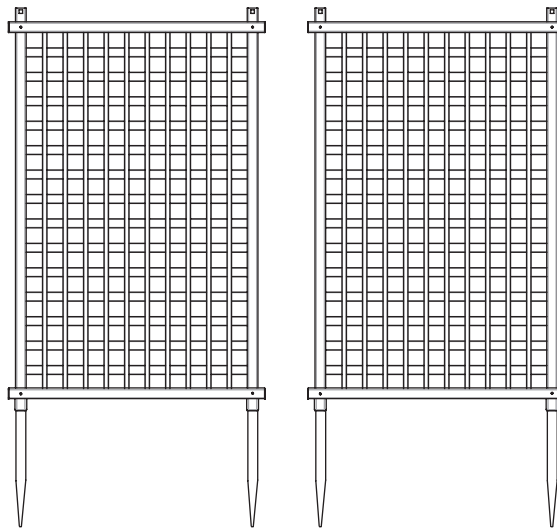


**STEP 4.4**

► Ensuring the routed holes are facing down, slide the other horizontal rail over the top of the posts. Continue sliding the rail down, inserting each vertical picket into the routed holes in the top rail, until the pre-drilled holes in the top rail and posts align. Drive (4)  $\frac{3}{4}$ " self-drilling stainless steel screws into the pre-drilled holes.

**STEP 5: INSTALL THE SCREENS****STEP 5.1**

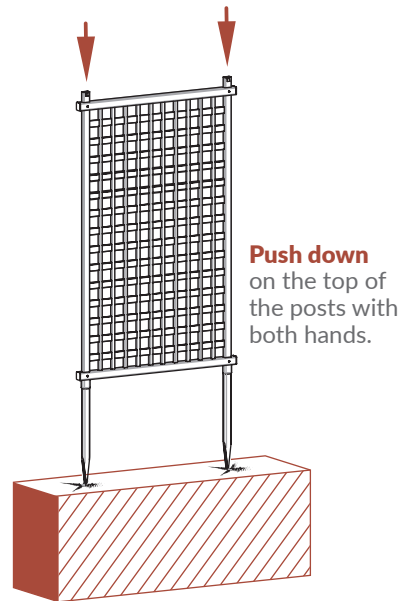
► Repeat Steps 2-4 to assemble the second screen.



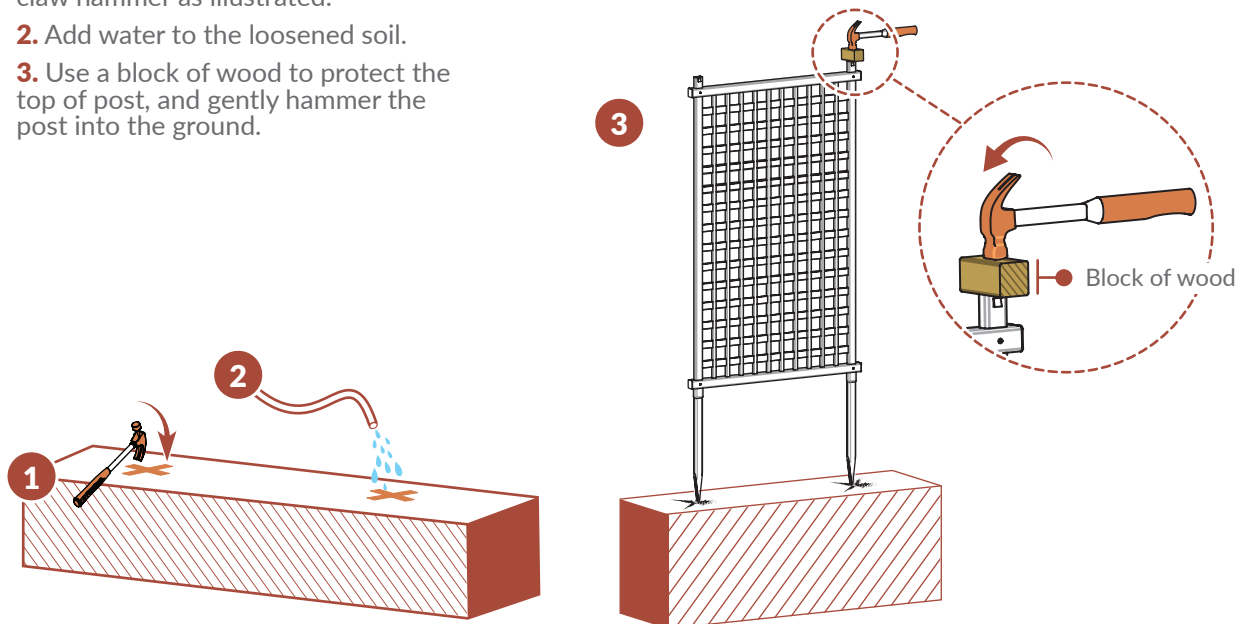


**STEP 5.2**

► Move the screen to its final location, and identify where the posts will be located. Attempt to push the unit into the ground as illustrated. All 14" of the post anchors should be inserted into the ground, so they are no longer visible.

**STEP 5.3**

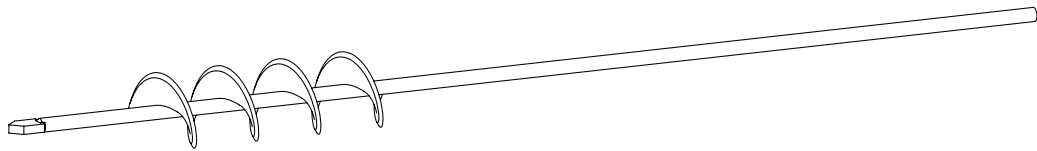
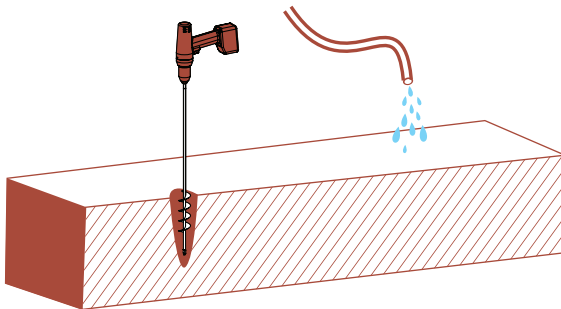
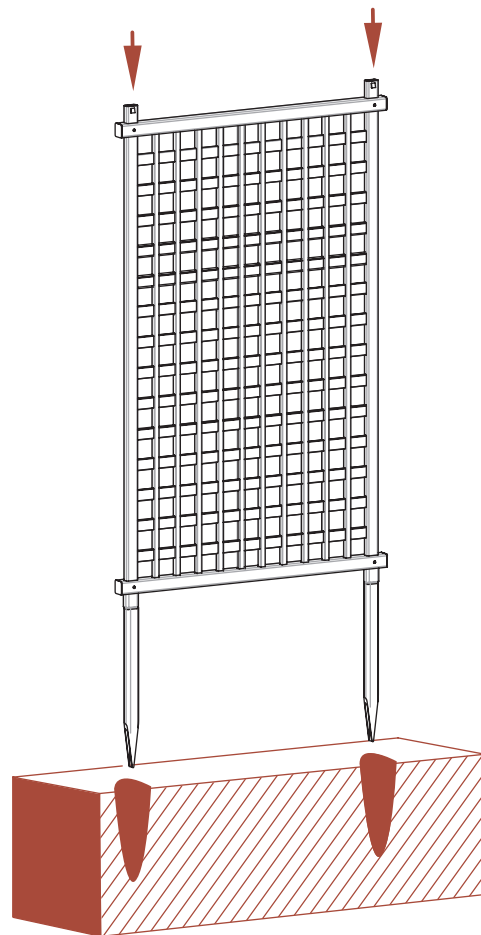
1. If your ground is too hard, loosen the top 6" or 7" of the ground with a claw hammer as illustrated.
2. Add water to the loosened soil.
3. Use a block of wood to protect the top of post, and gently hammer the post into the ground.



**STEP 5.4**

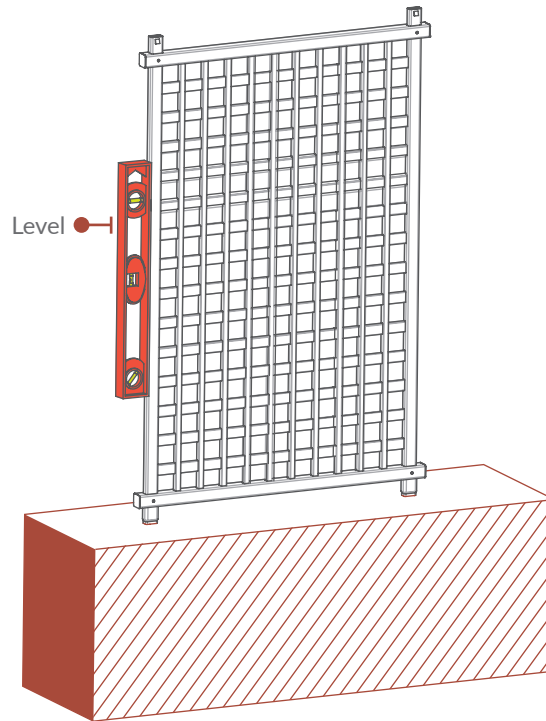
► **Optional in hard ground:** If your ground is too hard, or you have more than 3 or 4 panels to install, please consider these options:

1. Use a 1 $\frac{3}{4}$ " diameter auger bit (commonly used for planting tulips) as illustrated (\$15-\$20 on Amazon.com).
2. Drill a hole about 12" to 16" deep at the desired location, and fill the holes with water as illustrated.
3. Push the panel posts into the holes.

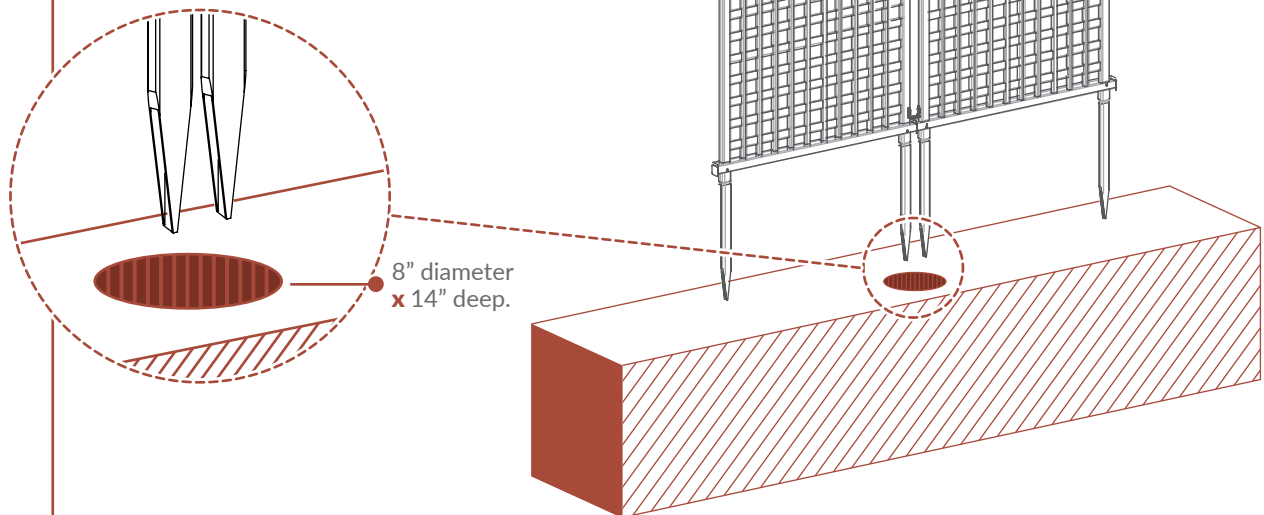
**1****2****3**

**STEP 5.5**

► Level the screen as necessary, backfill excavated dirt, and tamp down.

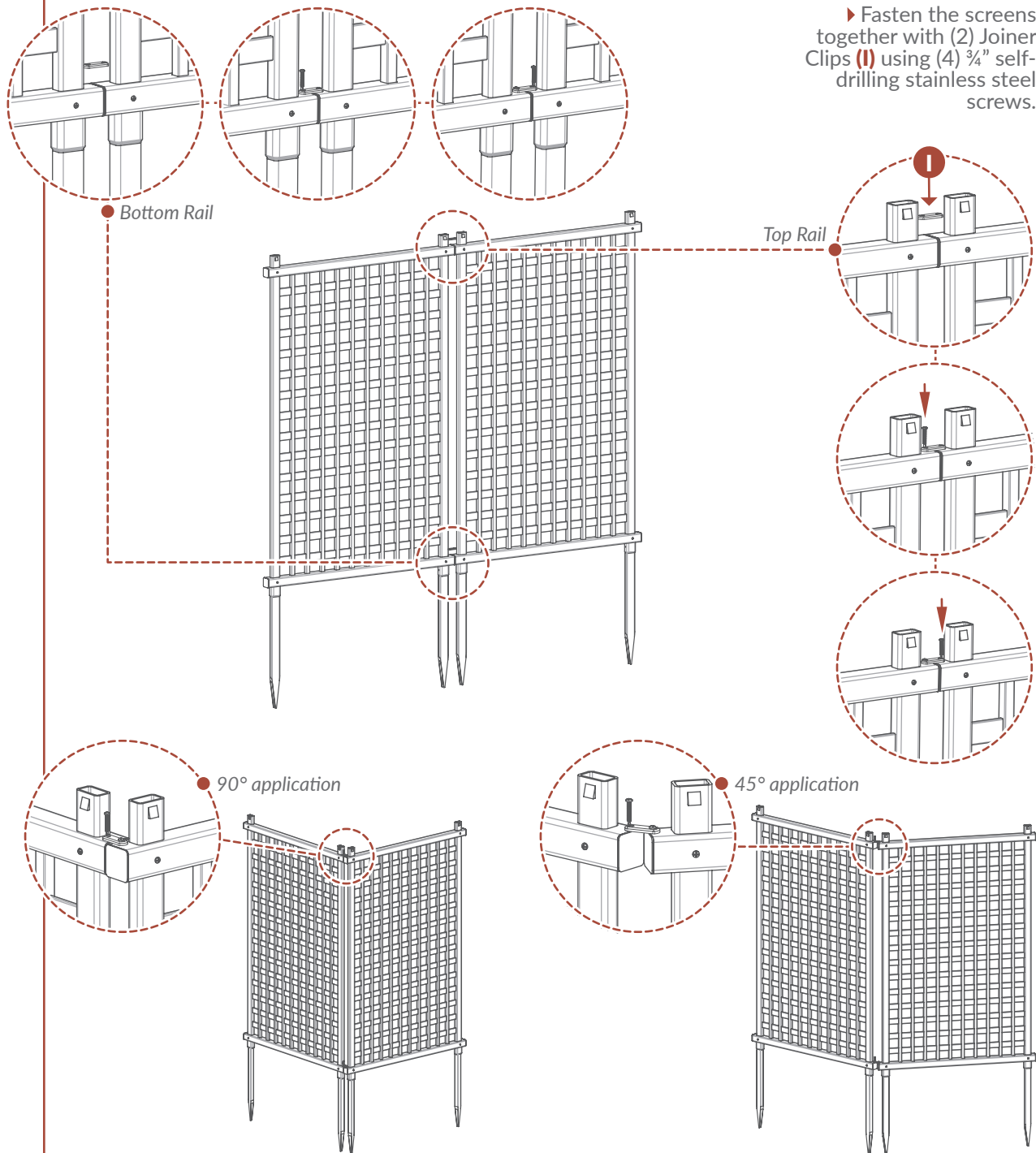
**STEP 5.6****► Optional:**

If your ground is very hard, you may need to dig a single hole large enough to accommodate one post from each panel. This hole should be approximately 8" in diameter and 14" deep. Backfill and tamp the dirt.



## STEP 6: FASTEN JOINER CLIPS

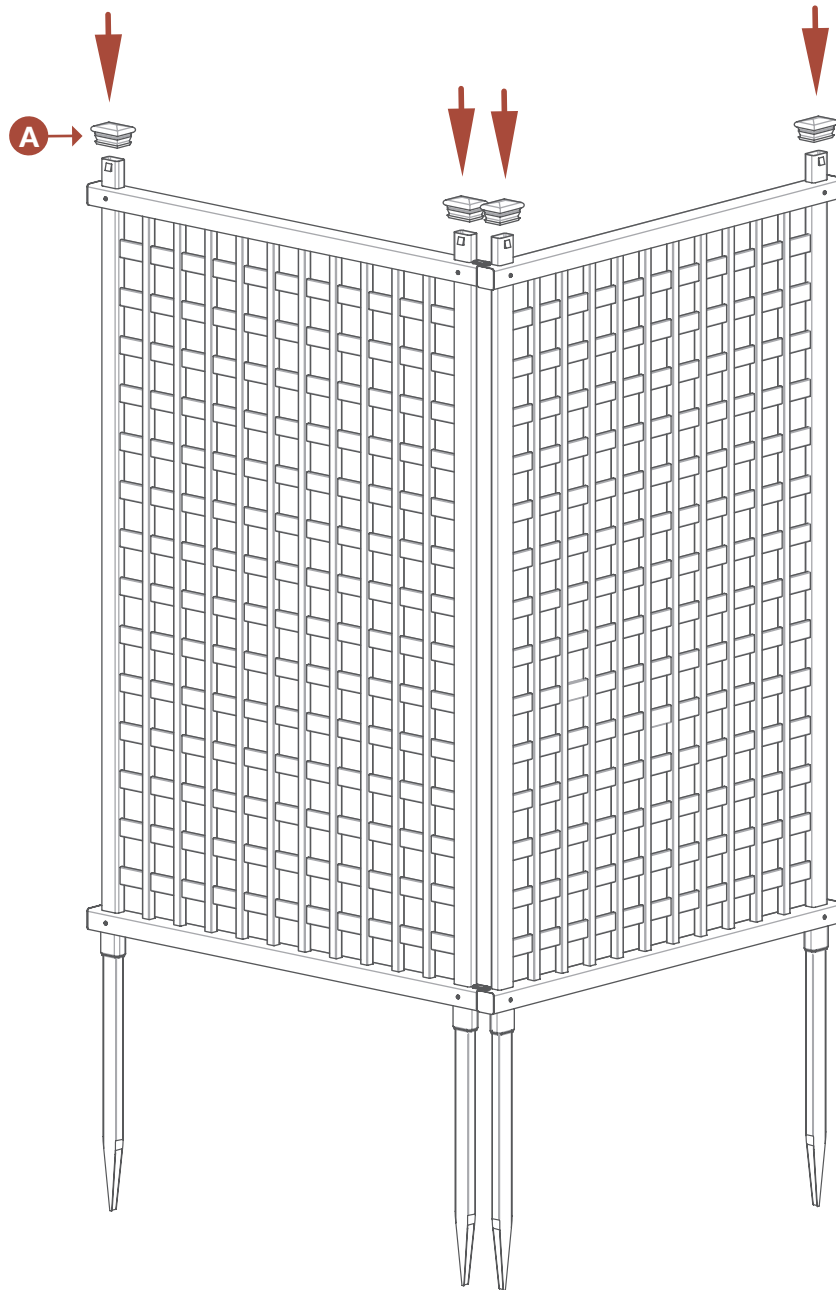
### STEP 6.1



## STEP 7: INSTALL POST CAPS

### STEP 7.1

▶ Push the Post Caps (A) down over the posts to lock into place.



# ENCLO

HIDE IT WITH STYLE

[www.encloscreens.com](http://www.encloscreens.com)

[support@encloscreens.com](mailto:support@encloscreens.com)



**704-892-5222**  
**877-234-6196**



*6935 Reames Rd. Ste. K.*  
*Charlotte, NC 28216*



**ASSEMBLY**  
**INSTRUCTIONS**  
ZP19047