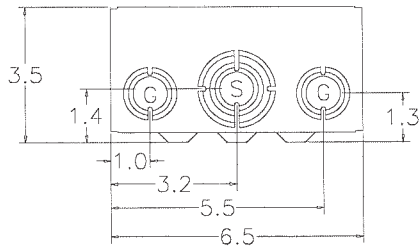
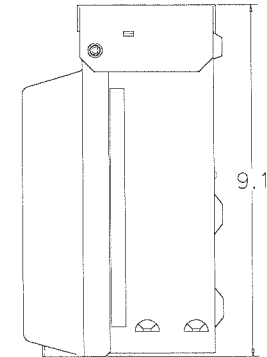
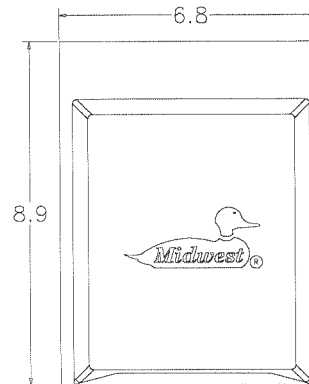
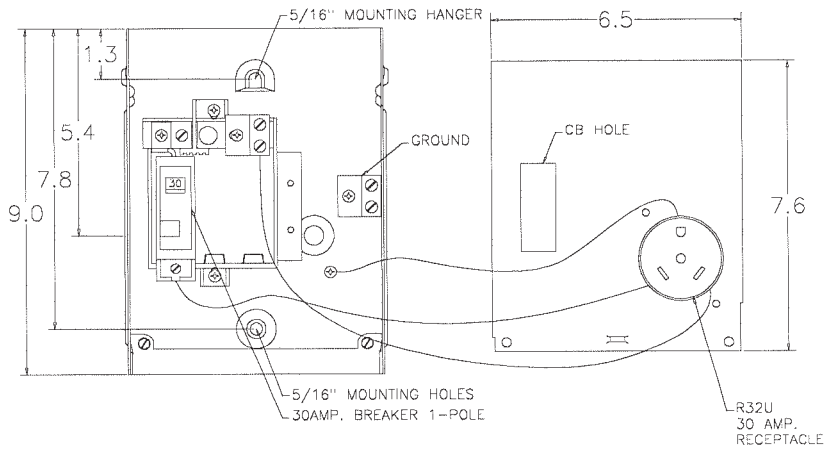
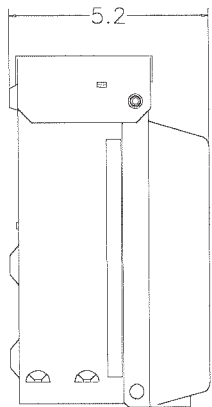


WIRE RANGE TABLE A:

CONNECTOR	COPPER		ALUMINUM	
	SOLID	STRAND	SOLID	STRAND
LINE	14-8	14-6	12-8	12-6
LOAD	-----	-----	-----	-----
NEUTRAL	12-8	12-6	12-8	12-6
EQUIP. GRND.	12-8	12-2	12-8	12-2



KNOCKOUT TABLE:

S = 1/2", 3/4", 1", 1-1/4", 1-1/2" KO
G = 1/2", 3/4", 1" KO

SH9

MIDWEST ELECTRIC PRODUCTS, INC.
Mankato, MN

Dr. By: JDE
Ck. By:
CR: ROB14112

* = Critical To Quality
Unless Otherwise Specified
Tolerances On:
3 Pl. Decimals ± .010
2 Pl. Decimals ± .030
Fractions ± 1/32
Angles ± 1/2°
Holes ± .003
Dimensions Are In Inches

AutoCad Generated

SCALE	SIZE
1 : 1	A

SHEET 1 OF 1

TITLE: U013C AND U013CP
OUTLINE DRAWING

DWG NO: 265A6209



Rev.1 CR ROB14112 JE 3-19-08
REV.2 CR R1000576 JOH 6-16-10