



# WESTPORT

4 FT VINYL  
PRIVACY FENCE  
(4'H X 6'W)

# ASSEMBLY INSTRUCTIONS

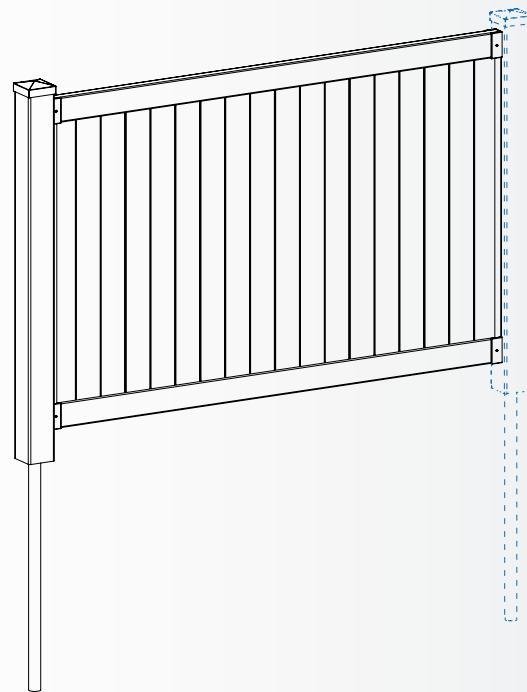
BL19105

**60 MIN**

*Approximate assembly time*

*Want to see a video on how to  
assemble this product?*

**Scan the QR code**



## GENERAL INFORMATION

### MISSING OR DAMAGED PARTS?



➤ **Visit Our Website**  
so we can help you right away!  
**parts.nychbrands.com**

\* You can also reach us via phone or email.

Hours of Operation - **Weekdays 9am-5pm EST**

To better help you, **please have the following**

- Your product number (**BL19105**)
- Your affected part letters
- Your original product box

### NEED ASSEMBLY HELP?

If you are having problems with assembly or installation of this product,  
**please contact at:**

📞 **704-892-5222 / 877-234-6196**    ✉ **hmmm@wambamfence.com**

### NEED TO RETURN?

If for some reason you need to return this product, please allow us to help resolve your issues first. If you still decide to return the product, **you will need to initiate the return from the company you originally purchased from.**

**AVOID THESE PITFALLS!**

HAVE YOU CONTACTED YOUR **LOCAL UTILITIES?**



**1**

You must call your local utilities before you start installing your fence to avoid puncturing any unseen underground utilities, especially electrical or gas lines. Fortunately, this is made easy for you.

- < Simply call **811** in the US or visit [www.call811.com](http://www.call811.com).
- < In Canada, visit [www.transcanada.com/contactus.html](http://www.transcanada.com/contactus.html) for a list of phone numbers by province.

HAVE YOU CHECKED YOUR **LOCAL ZONING LAWS?**

**2**

Local zoning laws and Home Owners Associations may regulate the height, style, and placement of your fence. Some locations may even require a permit.

ARE YOU ABSOLUTELY SURE WHERE YOUR **PROPERTY LINE IS?**

**3**

Ensure the installation of your fence is within your property line limits.

HAVE YOU TALKED TO YOUR **NEIGHBORS?**

**4**

Your fence will become part of their yard too, and you'll have an easier time building it if you can have access from both sides. Besides, you may get lucky if they decide to share the cost with you.



**IMPORTANT!**  
UNSTABLE GROUND OR ROCK?

**5**

If you encounter rock or unstable ground, you can concrete the pipe into place either during installation or afterwards.

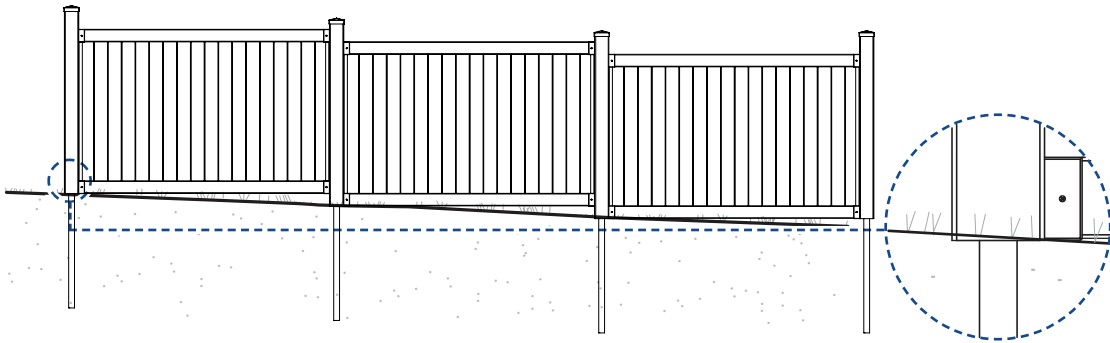
DOES YOUR YARD HAVE A **SEVERE SLOPE?**

**6**

If your yard is steeply pitched or is very uneven, you may need to stair step your panels as illustrated on page 4. Post heights can be trimmed down as necessary.

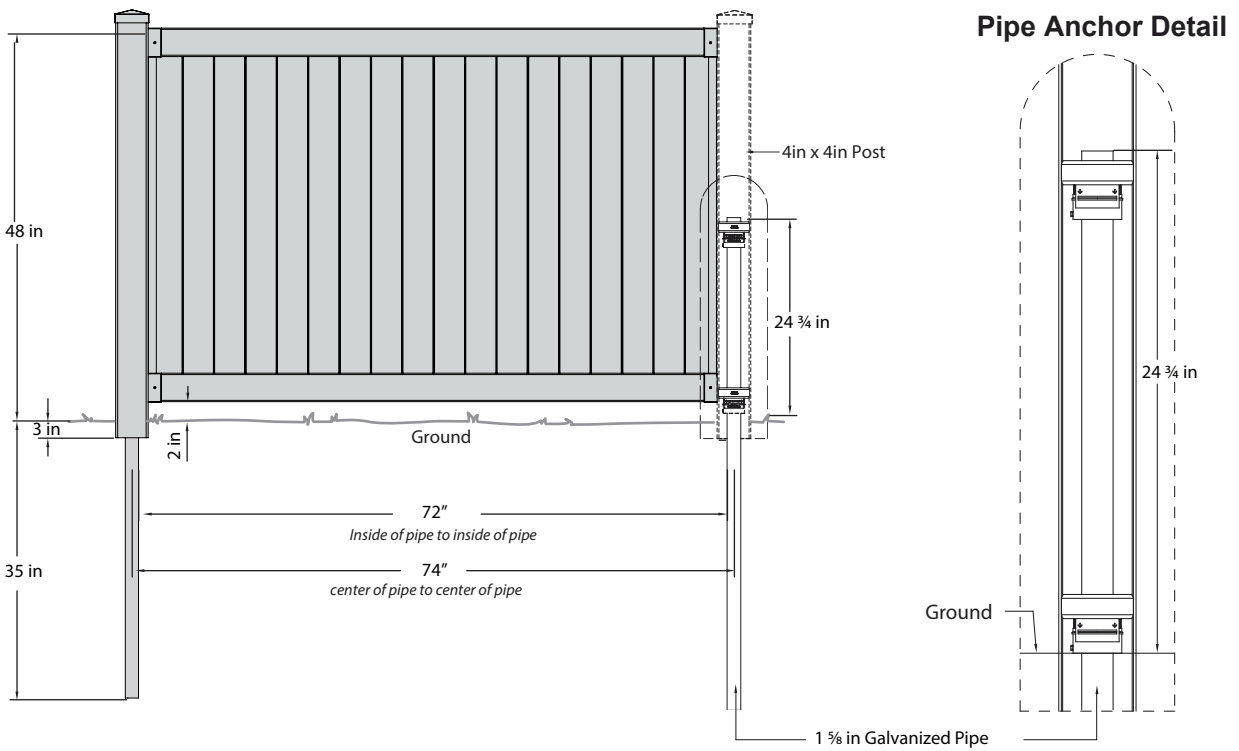
**WARNING!**

If your yard has a severe slope or an elevation change greater than approximately 3" to 4" over one panel of fence, you will not be able to install this fence. Your post will not be long enough to accommodate this slope.



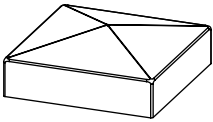

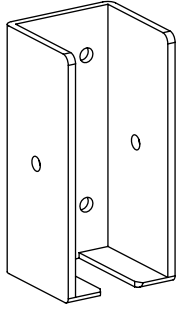
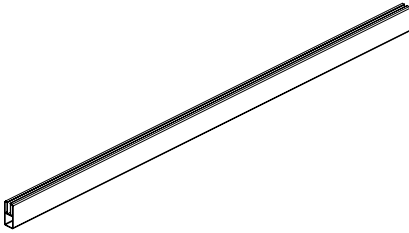
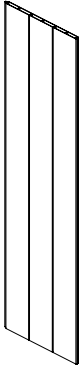
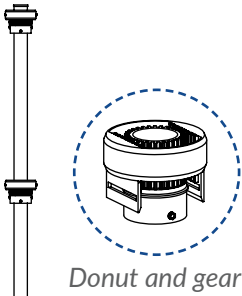

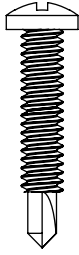
**Note:** The bottom of the rail bracket on the higher side of the fence should sit flush to the top of the ground.

DETAILED PRODUCT DIMENSIONS AND SPECIFICATIONS



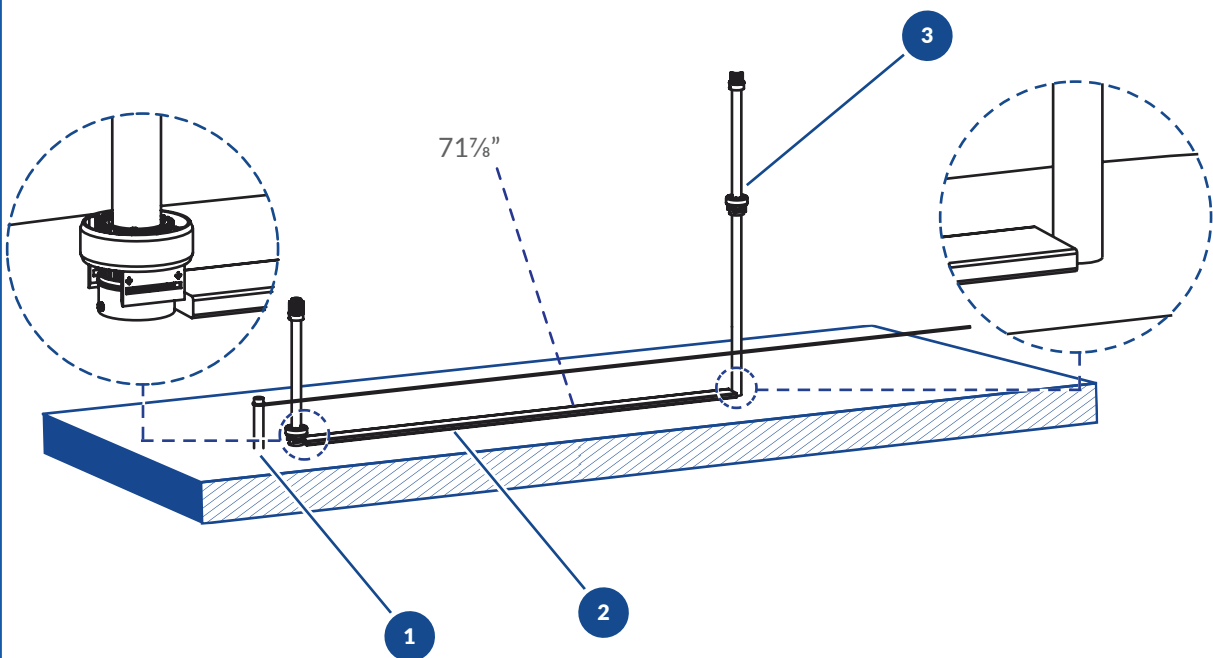
**INSTALL ONE COMPLETE PANEL OF FENCE FIRST.** Then proceed to install only one or two pipe anchors at a time, until you fully understand the fundamentals. This will help you to avoid repetitive mistakes.

# STEP 1: LAY OUT MATERIALS

<p><b>A</b></p>  <p>Post Cap (1)</p>	<p><b>B</b></p>  <p>Post (1) 4" x 4" x 53"</p>	<p><b>G</b></p>  <p>Bracket (4)</p>
<p><b>C</b></p>  <p>Rails (2) 1½" x 3½" x 69¾"</p>	<p><b>D</b></p>  <p>Boards (6) ½" x 12" x 42¾"</p>	
<p><b>E</b></p>  <p>Pipe Anchor (1) 1½" Diameter x 58½" L</p> <p><i>Donut and gear</i></p>	<p><b>F</b></p>  <p>Channel (2) 1½" x 1" x 38¾"</p>	<p><b>H</b></p>  <p>¾" Self-Drilling Stainless Steel Screw (30)</p>

## TIPS

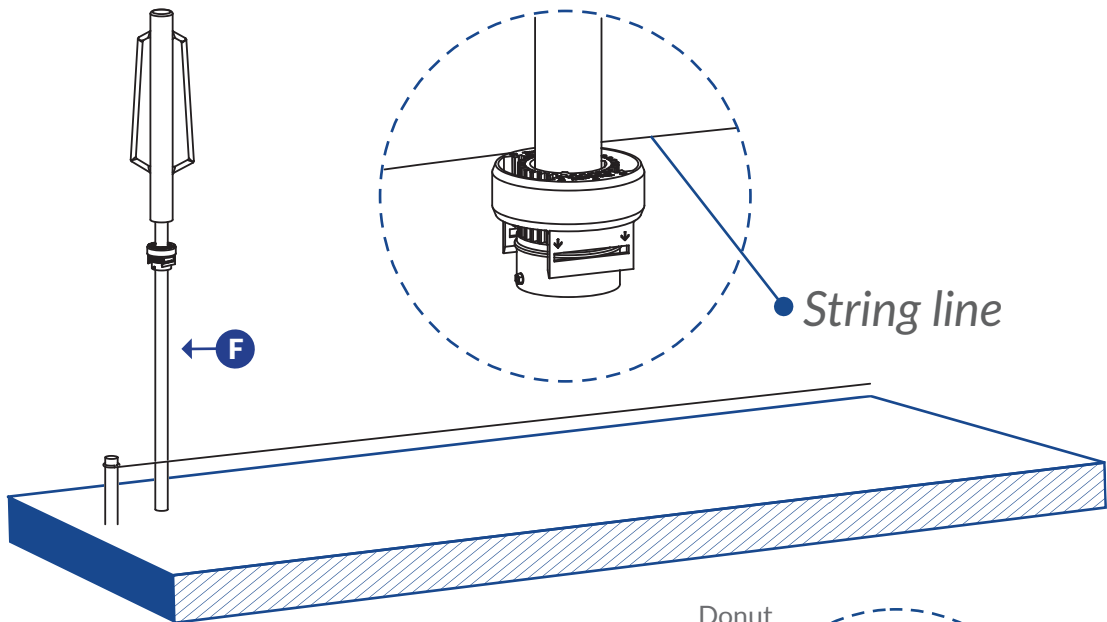
1. Run a string line to help establish the post location(s).
2. To space the pipe anchors more easily, use a piece of wood measuring  $71\frac{7}{8}$ " in length from the inside gear to the next pipe anchor.
3. After you have installed the first two posts and have checked your spacing, temporarily remove the vinyl posts to create an unobstructed string line.



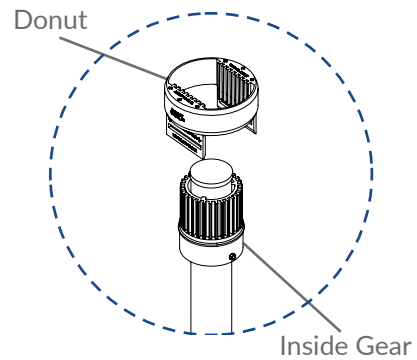
## STEP 2: INSTALL PIPE ANCHORS AND POSTS

### STEP 2.1

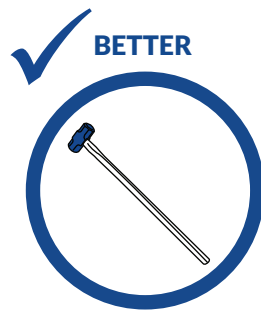
▶ Drive your first Pipe Anchor (F) into the ground until the bottom donut touches the ground. Check for level every 12".



**Note:** If you are using a post pounder, remove the top donut and slide it up over the pipe. Your post pounder barrel cannot be longer than 24".



Post Pounder



10lb Sledgehammer



5lb Sledgehammer

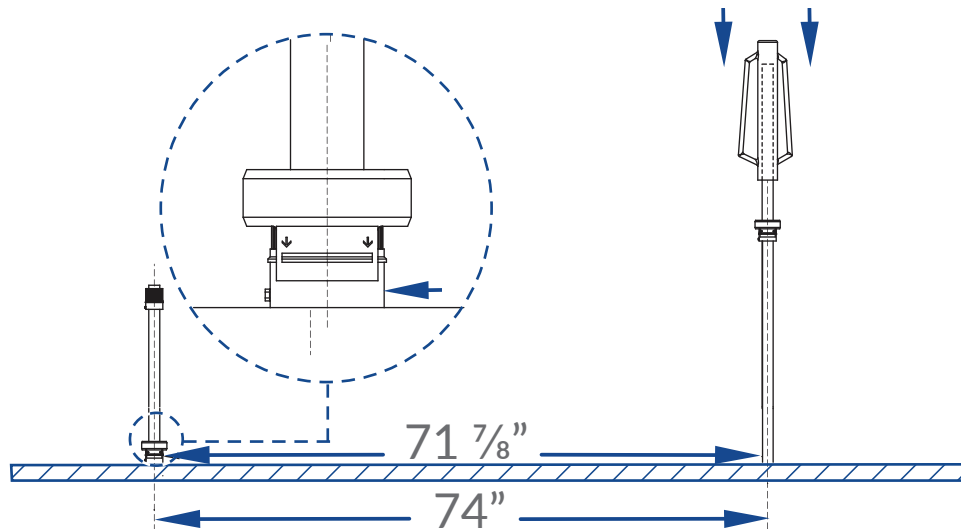


Hammer



**STEP 2.2**

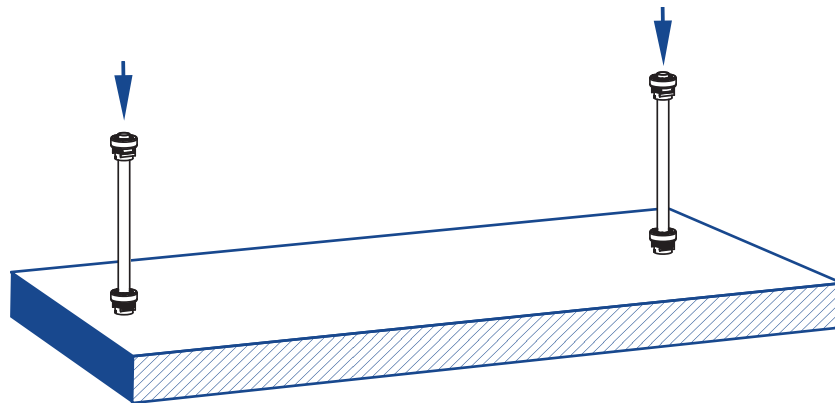
- Identify the location of your second pipe anchor and drive it into the ground.



**Note:** The distance between the inner plastic gears (not donuts) to the pipe should be  $71\frac{7}{8}$ " (or center to center of pipe at 74").

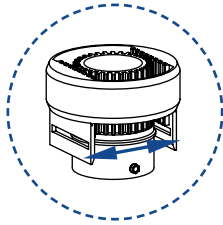
**STEP 2.3**

- If you removed the upper donut, slide it back down over the inner gear.

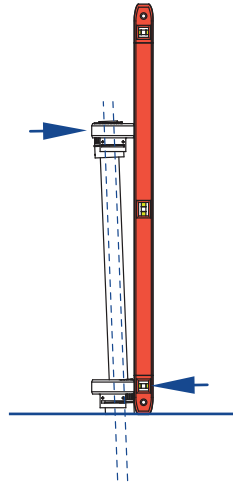


**STEP 2.4**

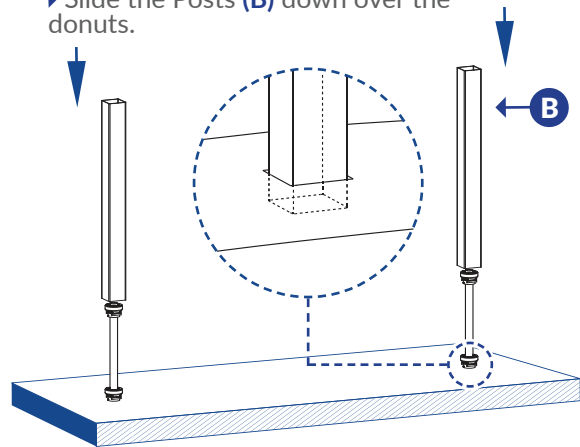
▶ Adjust the bottom and top donuts to compensate for a crooked pipe anchor.



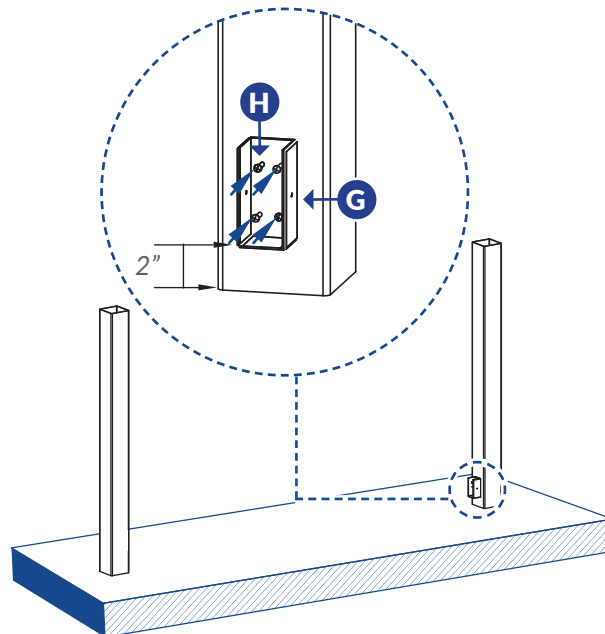
**Note:** Pull the donut tabs out and lift up to remove and adjust the donut position.

**STEP 2.5**

▶ Slide the Posts (B) down over the donuts.



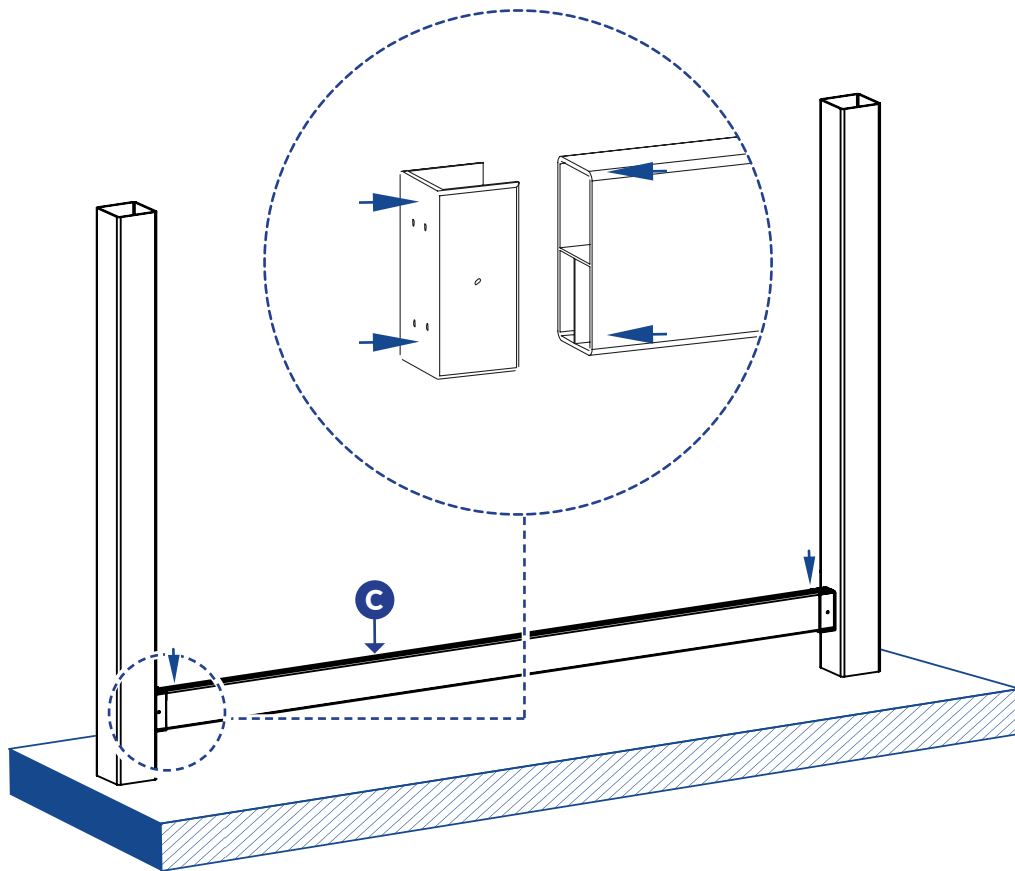
**Recommended:** On flat ground, bury posts approximately 3" in the ground and compact dirt around posts for increased stability.

**STEP 3: INSTALL BRACKETS AND BOTTOM RAILS****STEP 3.1**

▶ Install (1) Bracket (G) on the post approximately 2" off the ground using (4) 3/4" Self-Drilling Stainless Steel Screws (H).

**STEP 3.2**

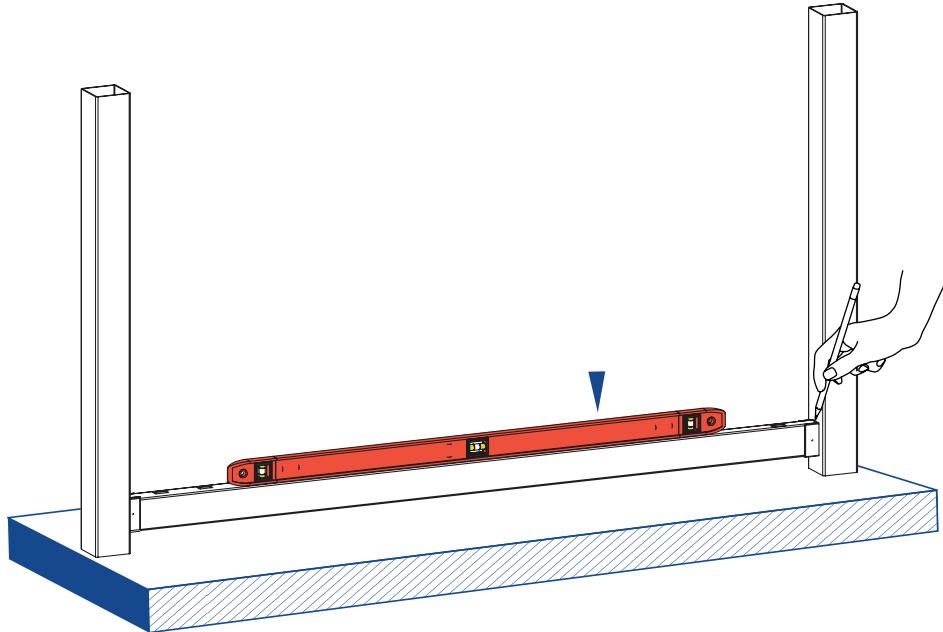
▶ Place the second bracket over the opposite end of the Rail (C) and slide the rail down into the bracket on the opposing side.



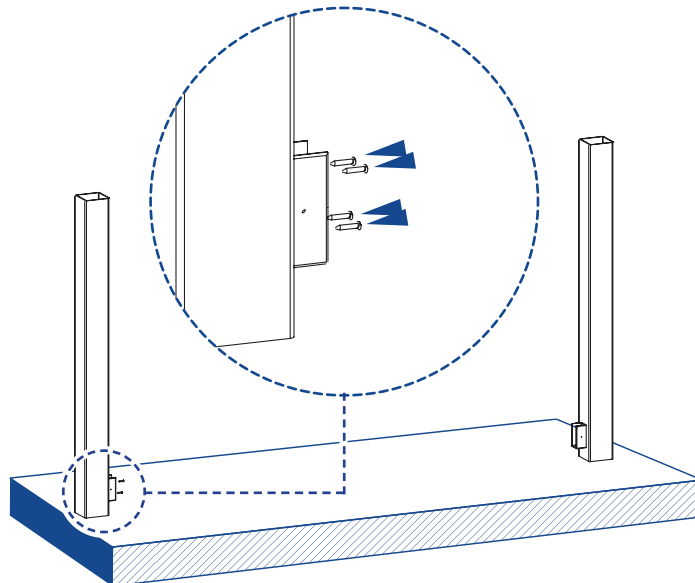
**Note:** There could be a slight conflict between the head of the exposed screw and the end of the rail in a tight fitting application. The end of the rail can be notched to accommodate.

**STEP 3.3** ▶

▶ Use a level on the top of the bottom rail to determine the height of the opposing bracket, and mark for installation.

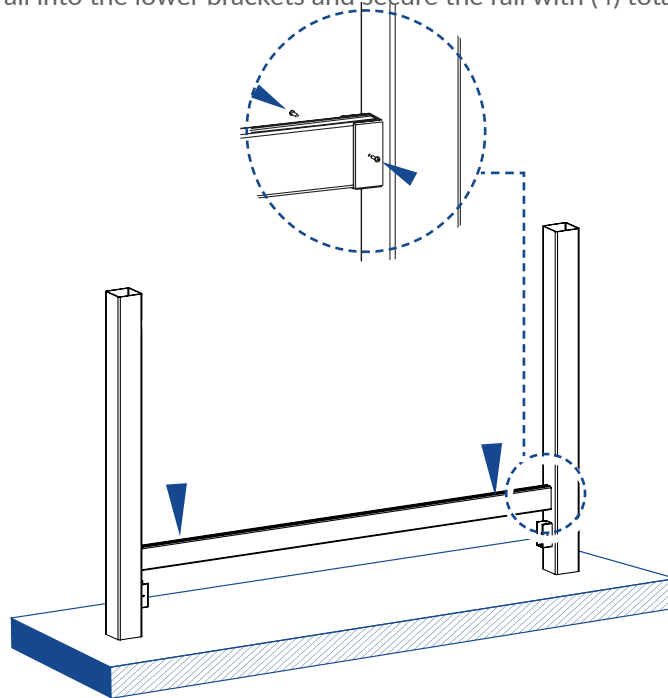
**STEP 3.4** ▶

▶ Temporarily remove the bottom rail and install the lower brackets using (4) total  $\frac{3}{4}$ " screws.



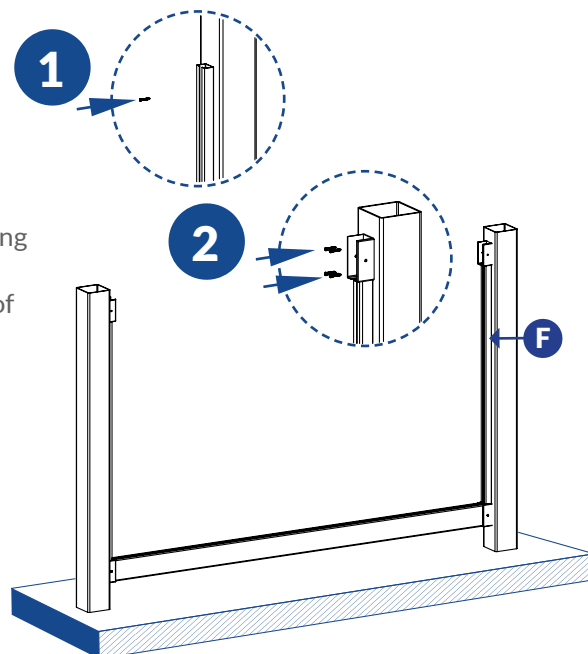
**STEP 3.5**

▶ Insert the bottom rail into the lower brackets and secure the rail with (4) total  $\frac{3}{4}$ " screws.

**STEP 3.6**

**Step 1:** Center and install your Channel (F) using (3)  $\frac{3}{4}$ " screws per channel.

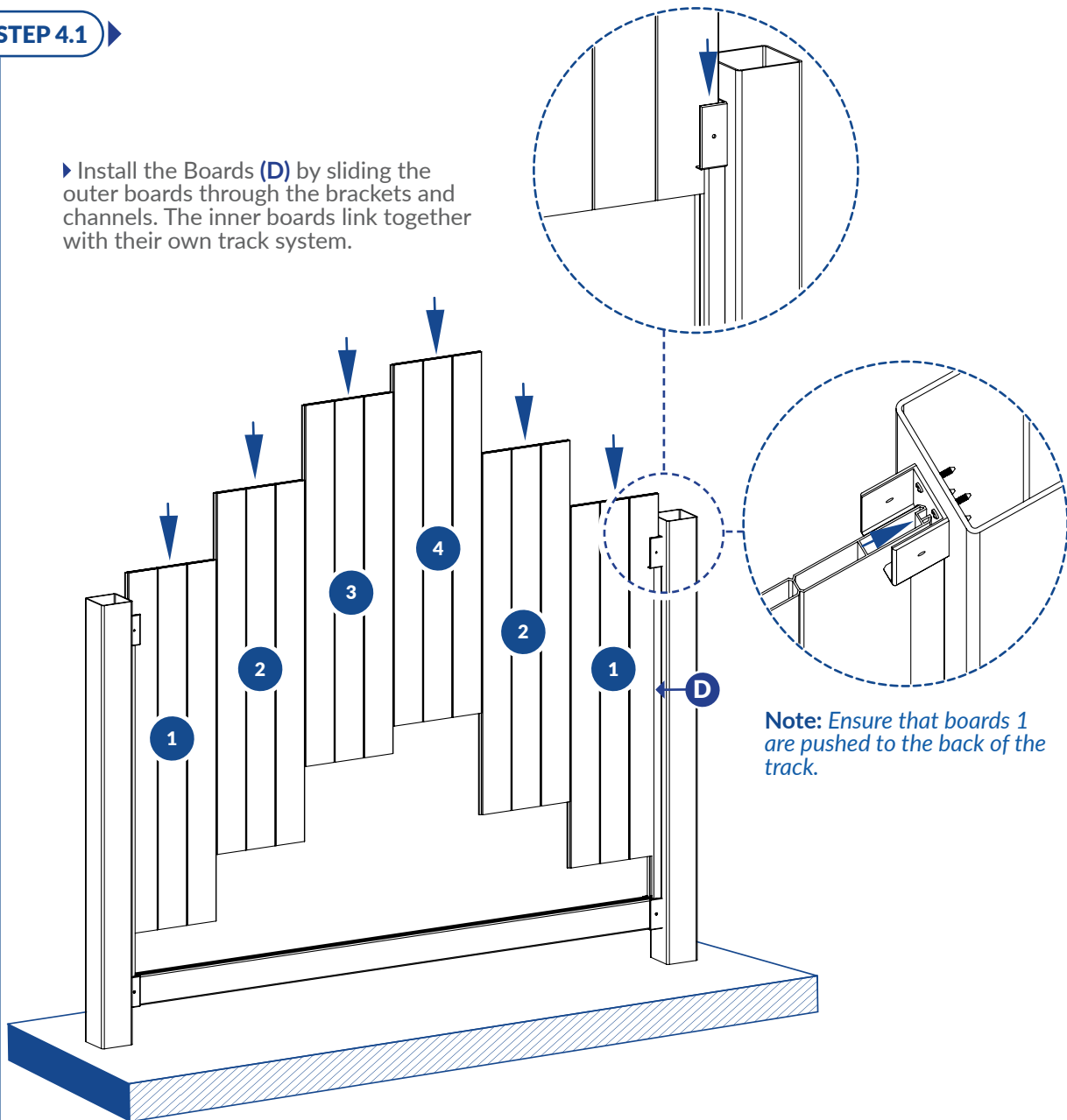
**Step 2:** Align your final brackets flush on top of the channels. Secure with (8)  $\frac{3}{4}$ " screws.



## STEP 4: INSTALL BOARDS AND POST CAPS

### STEP 4.1 ▶

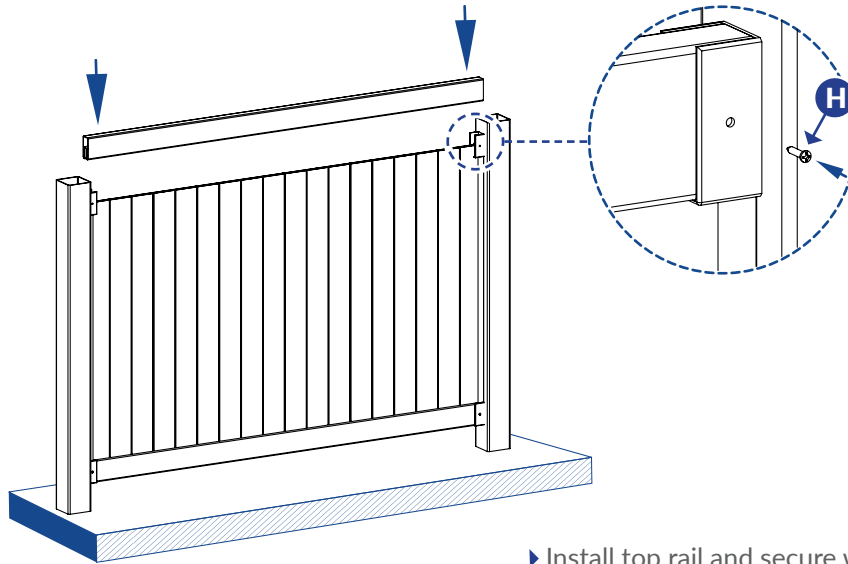
▶ Install the Boards (D) by sliding the outer boards through the brackets and channels. The inner boards link together with their own track system.



**Note:** To ensure ease of installation follow the install guide, making sure your middle boards are installed last.

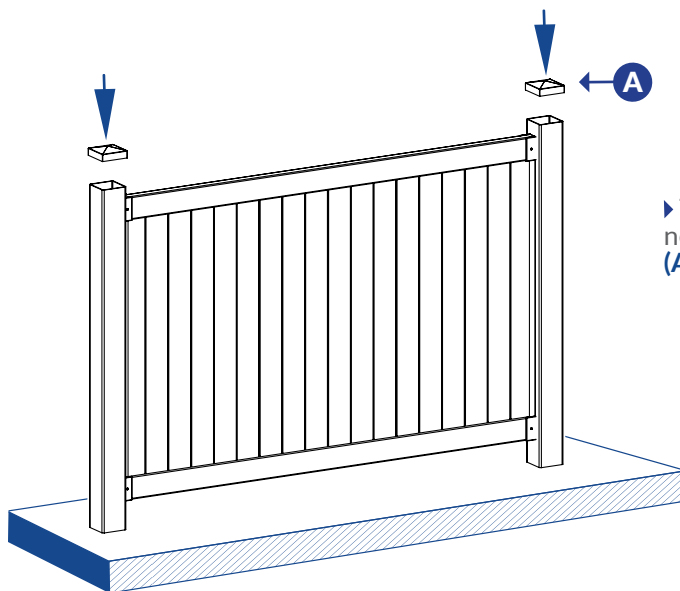
## STEP 4: INSTALL BOARDS AND POST CAPS

### STEP 4.2



▶ Install top rail and secure with (4)  $\frac{3}{4}$ " screws through the pre-drilled holes in the rail brackets.

### STEP 4.3



▶ Trim down the tops of the posts if necessary, and install the Post Caps (A).



6935 Reames Rd. Ste. K.  
Charlotte, NC 28216



[hmmm@wambamfence.com](mailto:hmmm@wambamfence.com)

704-892-5222  
877-778-5733



[WWW.WAMBAMFENCE.COM](http://WWW.WAMBAMFENCE.COM)