

7 Pcs Rattan Sofa Set

Instructions

Make Your Life Better.



Catalog

Care & Instructions.....	3
Parts of Each Box.....	4
How to cover holes.....	6
U Shape connector.....	7
7 Pcs Corner Sofa Parts List.....	8
7 Pcs Corner Sofa Assembly Instructions.....	9
7 Pcs Armless Sofa Parts List.....	10
7 Pcs Armless Sofa Assembly Instructions.....	11
Coffee Table Parts List.....	12
Coffee Table Assembly Instructions.....	13
Common Combinations.....	14

Care & Instructions

Thank you for ordering the 7 pcs sofa set,these tips may help you:

- 1.This 7 pcs sofa set comes in 3 boxes.If you only receive 1 or 2 boxes,please do not worry.The others will arrive very soon.
- 2.Carton A contains 2 middle sofas plus 1 coffee table;Carton B contains 2 middle sofas;Carton C contains 2 corner sofas.
- 3..Amazon only allows us to upload 1 tracking number.If you want to know the other tracking numbers,please contact us.
- 4.If any part is damaged or missing(refer to packing list on page 4),please feel free to contact us.We will send you the replacement immediately.
- 5.In order to prolong the sofa set’s service life,we suggest that you put all the cushions indoors on a rainy day.
- 6.We hope you can enjoy our product,if you have any other problem,please feel free to contact us.

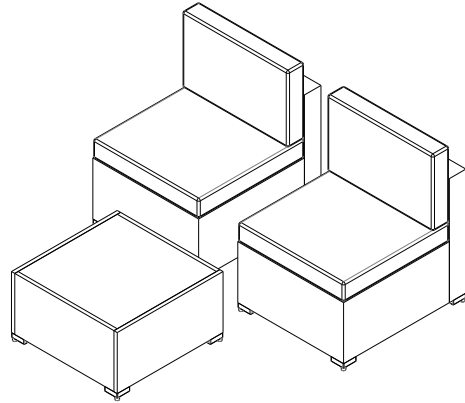
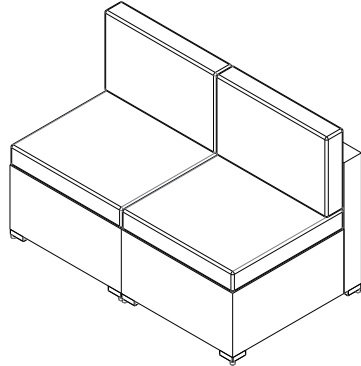
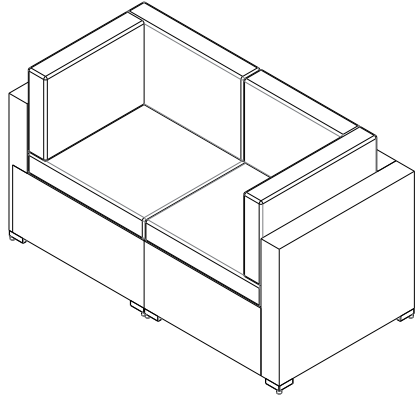
Scan the QR code to watch the install video of the 7 pcs rattan sofa.



Parts List of Each Box

CTN	Part's Name	Label	QTY
Box A	7 Pcs Armless Sofa Back Part	M1	2
	7 Pcs Armless Sofa Seat Part	M2	2
	7 Pcs Armless Sofa Side Part	M3	2
	Coffee Table Side 1 Part	T1	2
	Coffee Table Side 2 Part	T2	2
	Coffee Table Glass Top	T3	1
	Coffee Table Connector	T4	1
	Screw Set of Box A	SSA	1
Box B	7 Pcs Armless Sofa Back Part	M1	2
	7 Pcs Armless Sofa Seat Part	M2	2
	7 Pcs Armless Sofa Side Part	M3	2
	Screw Set of Box B	SSB	1
Box C	7 Pcs Corner Sofa Arm Part	L1	2
	7 Pcs Corner Sofa Back Part	L2	2
	7 Pcs Corner Sofa Seat Part	L3	2
	Screw Set of Box C	SSC	1

Parts List of Each Box

Box A	 <p>Middle Sofa x 2 Pcs Coffee Table x 1 Pc</p>
Box B	 <p>Middle Sofa x 2 Pcs</p>
Box C	 <p>Corner Sofa x 2 Pcs</p>

How to Cover Holes



We supply some PE wicker material which you can use to cover these holes.



Step 1



Step 2



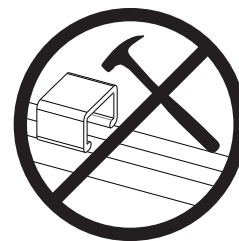
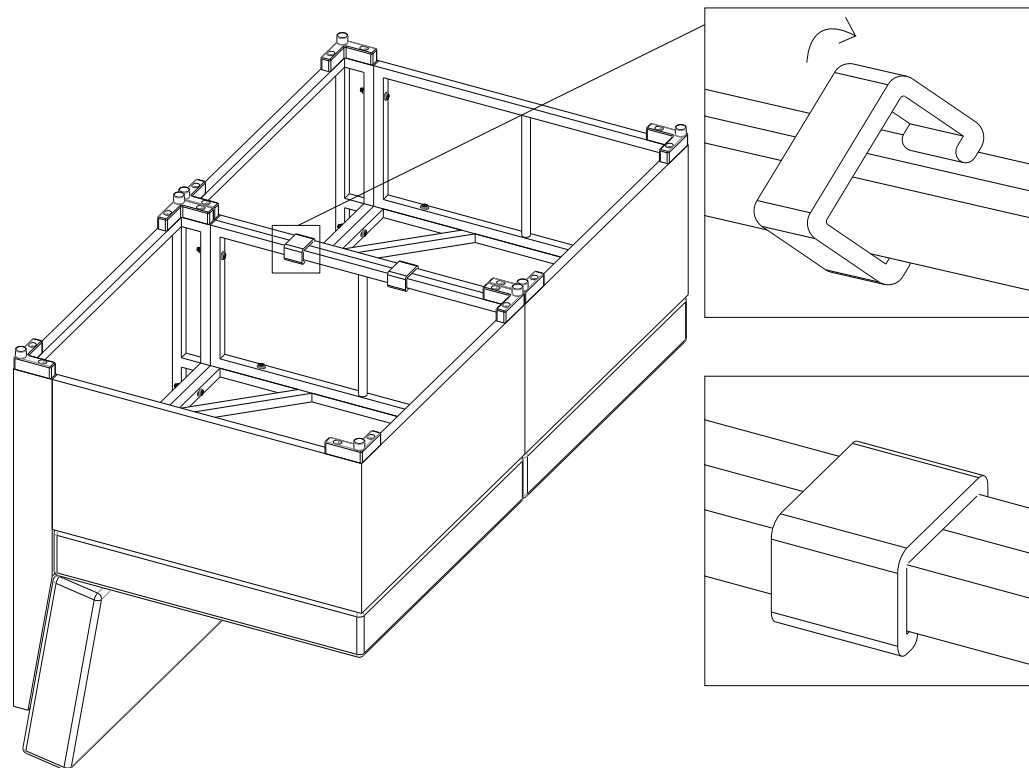
Step 3



Step 4

You might use two pieces PE wicker to cover the hole, and repeat the steps to cover all the holes.
These PE wicker can also be used to repair the scratch or broken wicker.

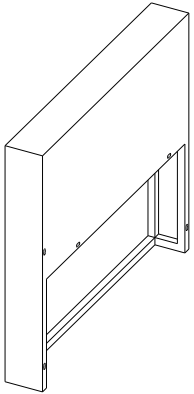
U Shape Connector



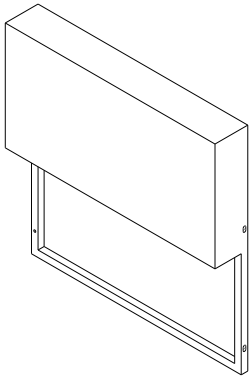
Notice:
Do not use tools such as hammers;
You can scald it with boiling water to soften it.

7 Pcs Corner Sofa Parts List

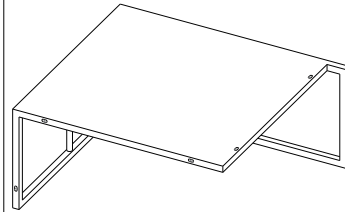
7 Pcs Corner Sofa Arm Part (L1) x 1 Pcs



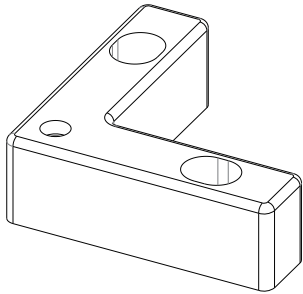
7 Pcs Corner Sofa Back Part (L2) x 1 Pcs



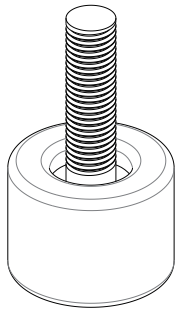
7 Pcs Corner Sofa Seat Part (L3) x 1 Pcs



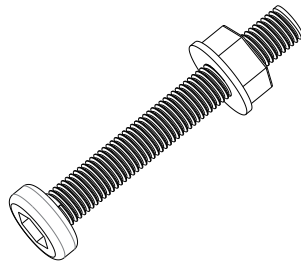
L Shape Feet(O) x 4 Pcs



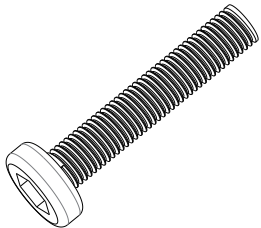
Screw Feet(P) x 4 Pcs



M6x45(Q) x 7 Pcs



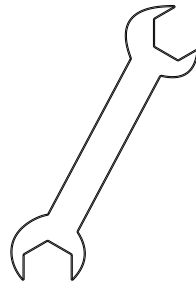
M6x30(S) x 9 Pcs



Hexagon Spanner(W) x 1 Pcs



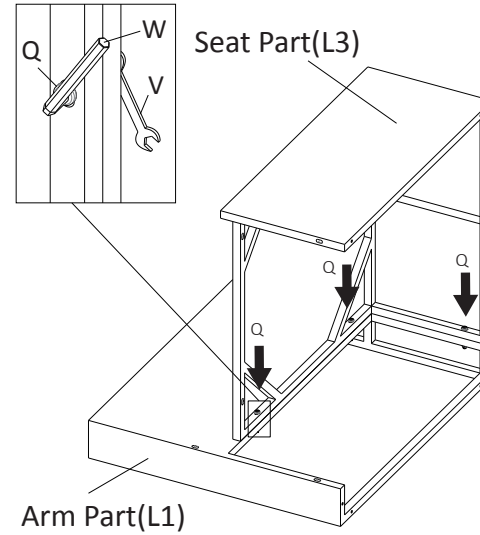
Wrench(V) x 1 Pcs



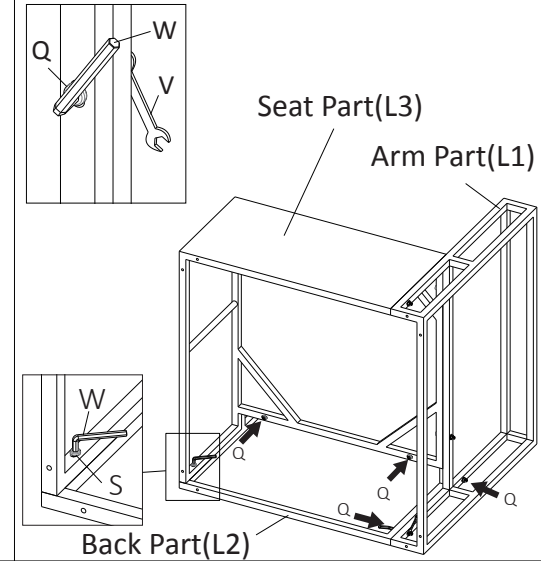
7 Pcs Corner Sofa Assembly Instruction

Do not use machine  Two Persons together  Need 25mins roughly 

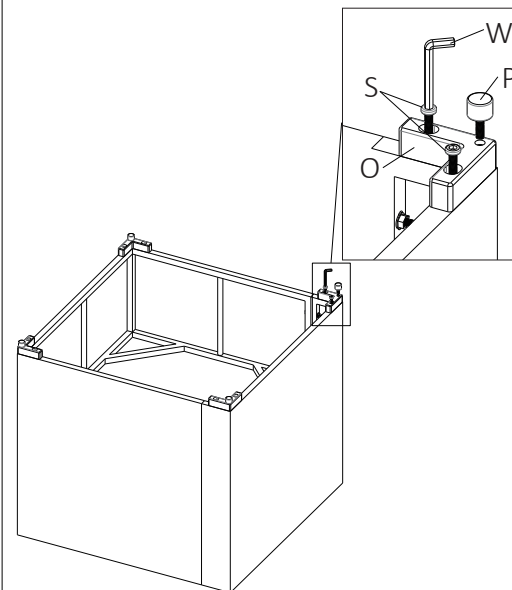
Step 1: Install Seat Part and Arm Part



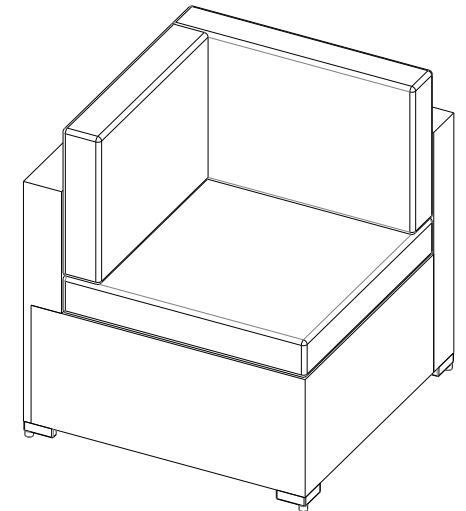
Step 2: Install Back Part



Step 3: Install L Shape Feet

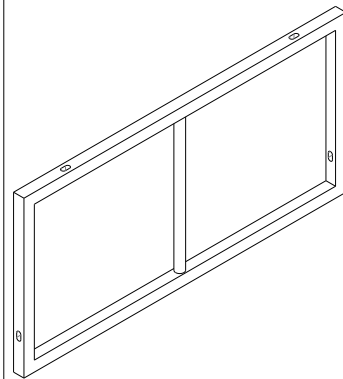
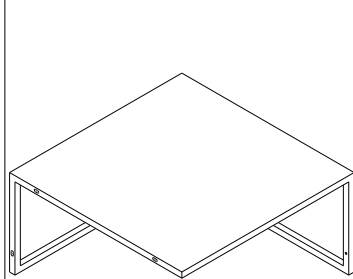
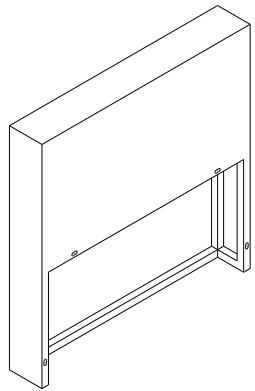


Step 4: Put on The Cushions



7 Pcs Armless Sofa Parts List

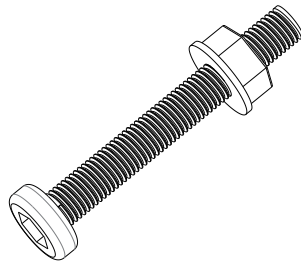
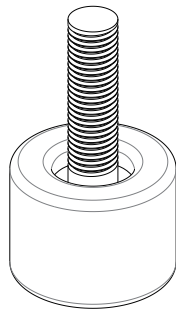
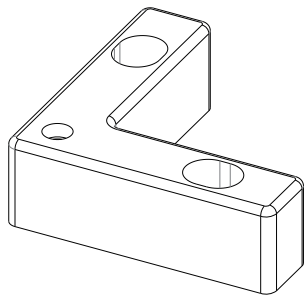
7 Pcs Armless Sofa Back Part (M1) x 1 Pcs	7 Pcs Armless Sofa Seat Part (M2) x 1 Pcs	7 Pcs Armless Sofa Side Part (M3) x 1 Pcs
---	---	---



L Shape Feet(O) x 4 Pcs

Screw Feet(P) x 4 Pcs

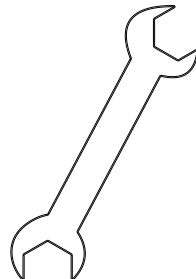
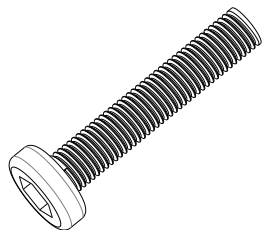
M6x45(Q) x 4 Pcs



M6x30(S) x 11 Pcs

Hexagon Spanner(W) x 1 Pcs

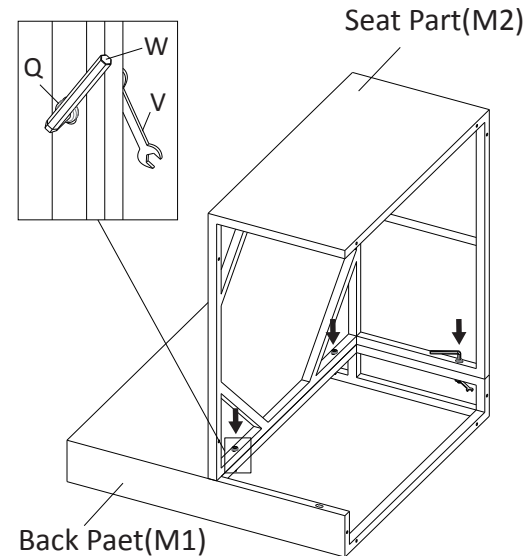
Wrench(V) x 1 Pcs



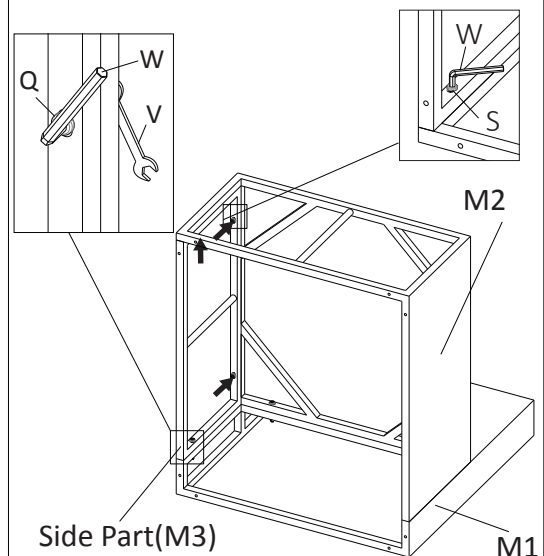
7 Pcs Armless Sofa Assembly Instruction

Do not use machine Two Persons together Need 25mins roughly

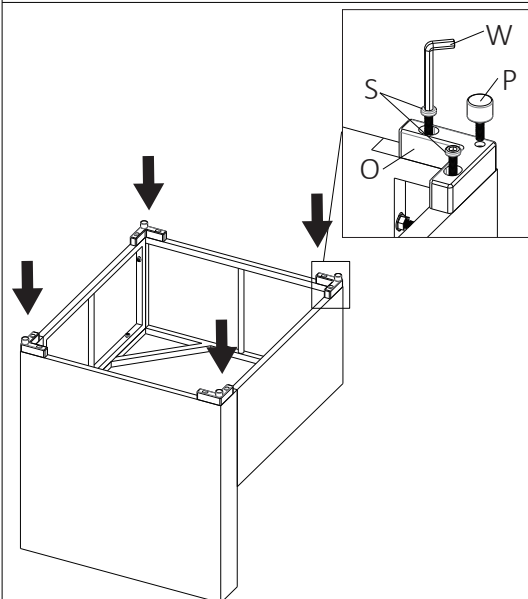
Step 1: Install Seat Part and Back Part



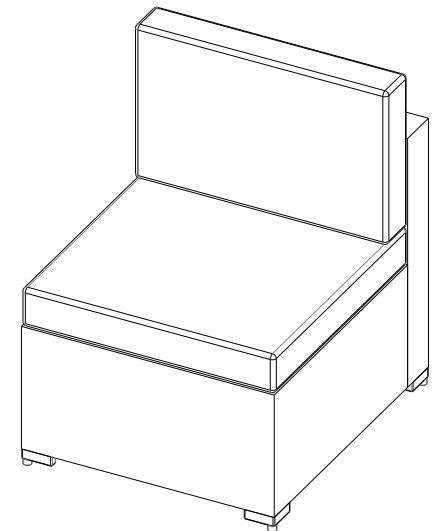
Step 2: Install Side Part



Step 3: Install L Shape Feet



Step 4: Put on The Cushions

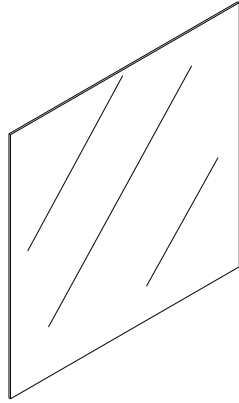
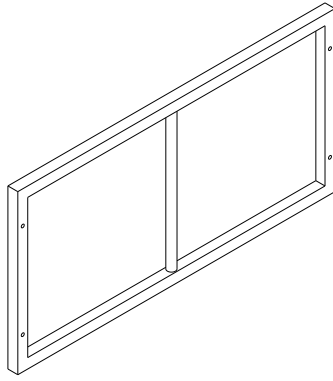
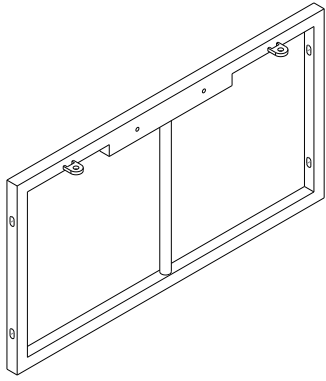


Coffee Table Parts List

Side 1 Part(6T1) x 2 Pcs

Side 2 Part(6T2) x 2 Pcs

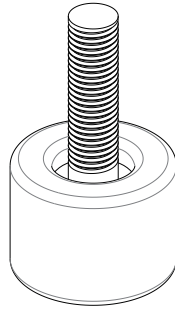
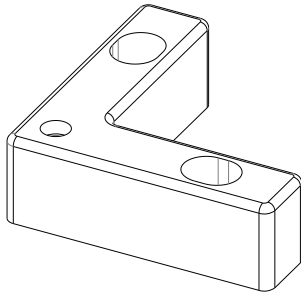
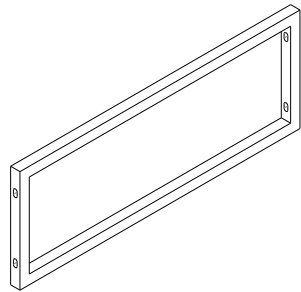
Glass Top(6T3) x 1 Pcs



Connector(6T4) x 1 Pcs

L Shape Feet(O) x 4 Pcs

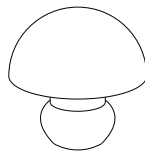
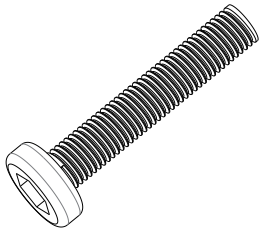
Screw Feet(P) x 4 Pcs



M6x30(S) x 20 Pcs

Hexagon Spanner(W) x 1 Pcs

Glass Pad(E) x 4 Pcs



Coffee Table Assembly Instructions



Do not use machine

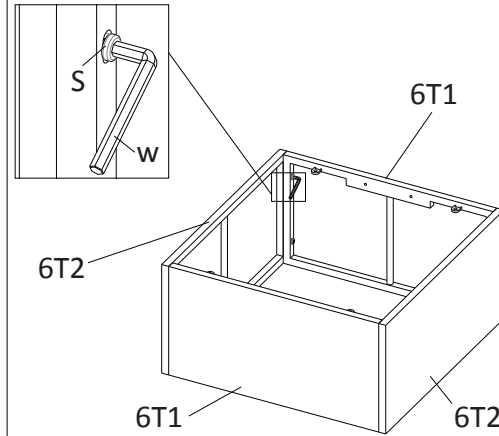


Two Persons together

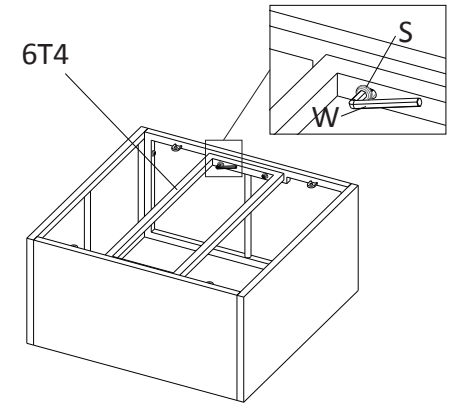


Need 25mins roughly

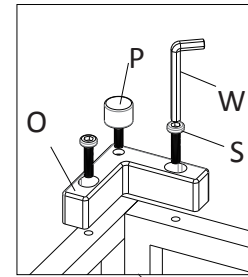
Step 1: Install Side 1 And 2 Parts



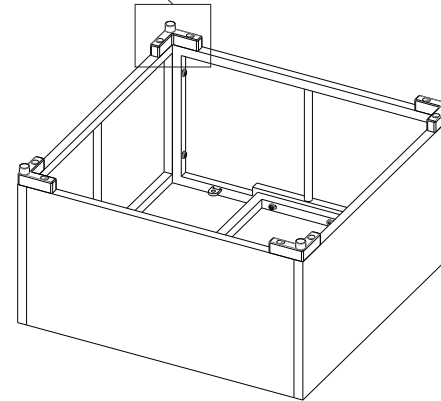
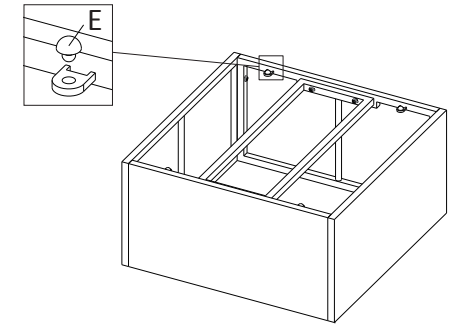
Step 2: Install Connector



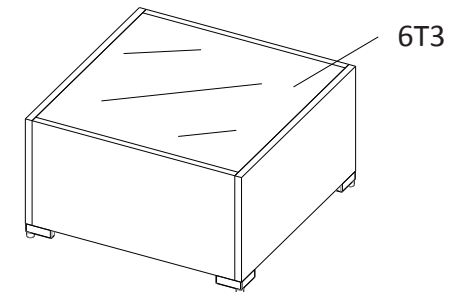
Step 3: Install L Shape Feet



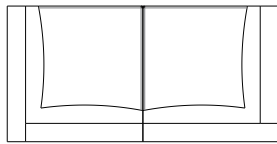
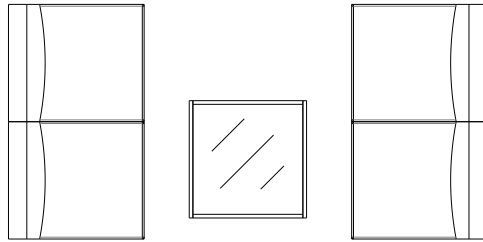
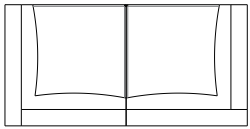
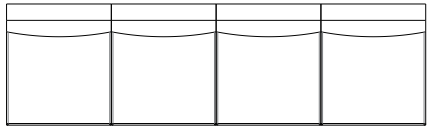
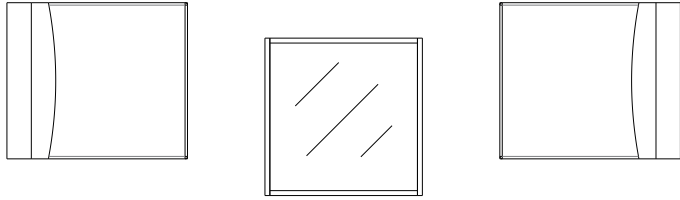
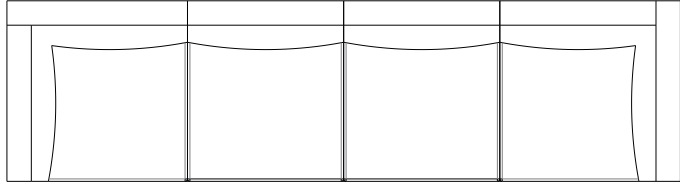
Step 4: Put on The Glass Pad (If Need)



Step 5: Put on The Top Glass



Common Combinations



Common Combinations

