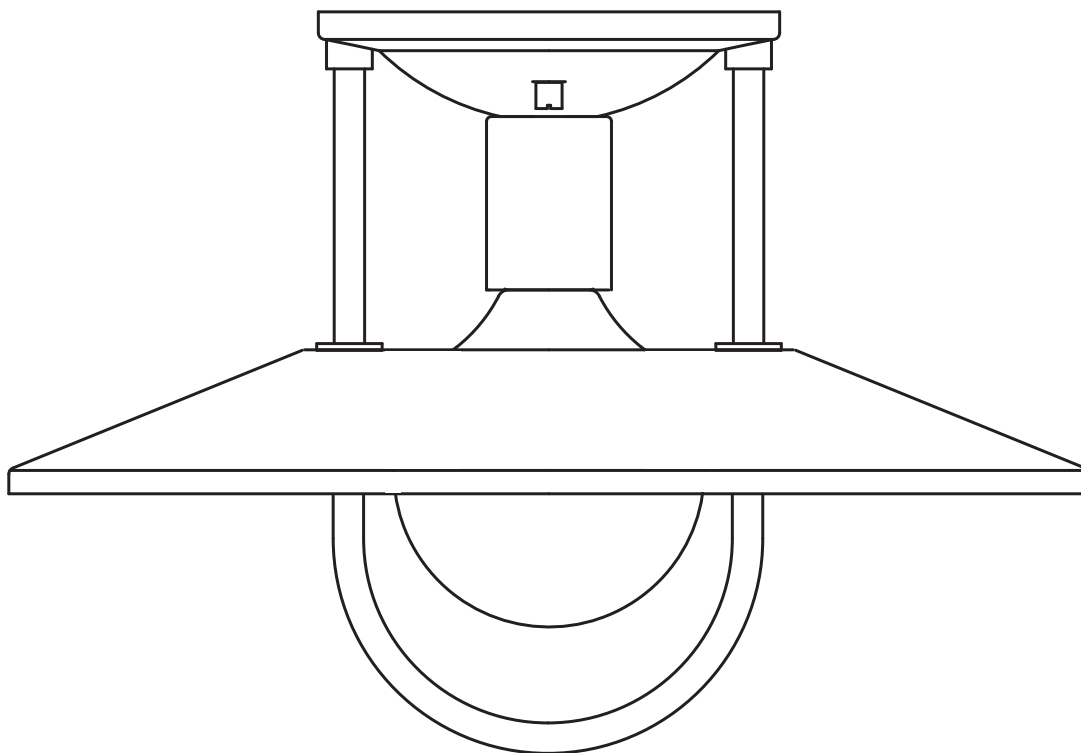


USE AND CARE GUIDE

WESTON COVE 13 IN. 1-LIGHT MATTE BLACK AND GOLD SEMI-FLUSH



Questions, problems, missing parts? Before returning to the store,
call Home Decorators Collection Customer Service
8 a.m. - 7 p.m., EST, Monday - Friday, 9 a.m. - 6 p.m., EST, Saturday

1-800-986-3460

HOMEDEPOT.COM/HOMEDECORATORS


THANK YOU


We appreciate the trust and confidence you have placed in Home Decorators Collection through the purchase of this lighting fixture. We strive to continually create quality products designed to enhance your home. Visit us online to see our full line of products available for your home improvement needs. Thank you for choosing Home Decorators Collection!


Table of Contents


Safety Information	2	Pre-Installation.....	4
Warranty	2	Package Contents	4
What is covered	2	Installation	5
What is not covered	2	Maintenance	8
Pre-Installation	3	Care and Cleaning	8
Planning Installation	3	Troubleshooting	8
Tools Required	3		
Hardware Included	3		

Safety Information

 **IMPORTANT:** Read and understand this entire manual before you attempt to assemble, install, or operate this product.

 **WARNING:** Turn off the electricity at the main circuit breaker panel before you begin this installation.

 **WARNING:** This product contains chemicals known to the State of California to cause cancer, birth defects, and/or other reproductive harm. Thoroughly wash hands after installing, handling, cleaning, or otherwise touching this product.

 **WARNING:** This product must be installed in accordance with the applicable installation code by a person familiar with the construction and operation of the product and the hazards involved.

Warranty

WHAT IS COVERED

The manufacturer warrants the lighting fixtures to be free from defects in materials and workmanship for a period of five (5) years from the date of purchase. This warranty applies only to the original consumer and only to products used in normal use and service. If this product is found to be defective, the manufacturer’s only obligation, and your exclusive remedy, is the repair or replacement of the product at the manufacturer’s discretion, provided that the product has not been damaged through misuse, abuse, accident, modifications, alterations, neglect, or mishandling.

WHAT IS NOT COVERED

This warranty shall not apply to any product that is found to have been improperly installed, set-up, or used in any way not in accordance with the instructions supplied with the product. This warranty shall not apply to a failure of the product as a result of an accident, misuse, abuse, negligence, alteration, or faulty installation or any other failure not relating to faulty material or workmanship. This warranty shall not apply to the finish on any portion of the product, such as surface and/or weathering, as this is considered normal wear and tear.


The manufacturer does not warrant and specially disclaims any warranty, whether express or implied, of fitness for a particular purpose, other than the warranty contained herein. The manufacturer specifically disclaims any liability and shall not be liable for any consequential or incidental loss or damage, including but not limited to any labor / expense costs involved in the replacement or repair of said product.

Contact the Customer Service Team at 1-855-986-3460 or visit www.Homedepot.com/homedecorators.

Pre-Installation

PLANNING INSTALLATION

Before beginning the installation, make sure all the parts are included using the Hardware Included and Package Contents sections. If any part is missing or damaged, do not attempt to assemble, install, or operate the product.

 **NOTE:** To avoid damaging this product, place it on a soft, non-abrasive surface, such as carpet or cardboard.

TOOLS REQUIRED



Phillips screwdriver



Pliers



Wire stripper



Safety glasses



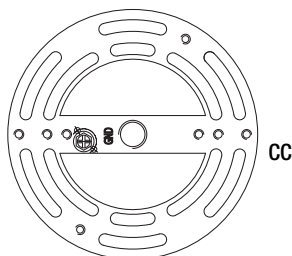
Electrical tape



Ladder

HARDWARE INCLUDED

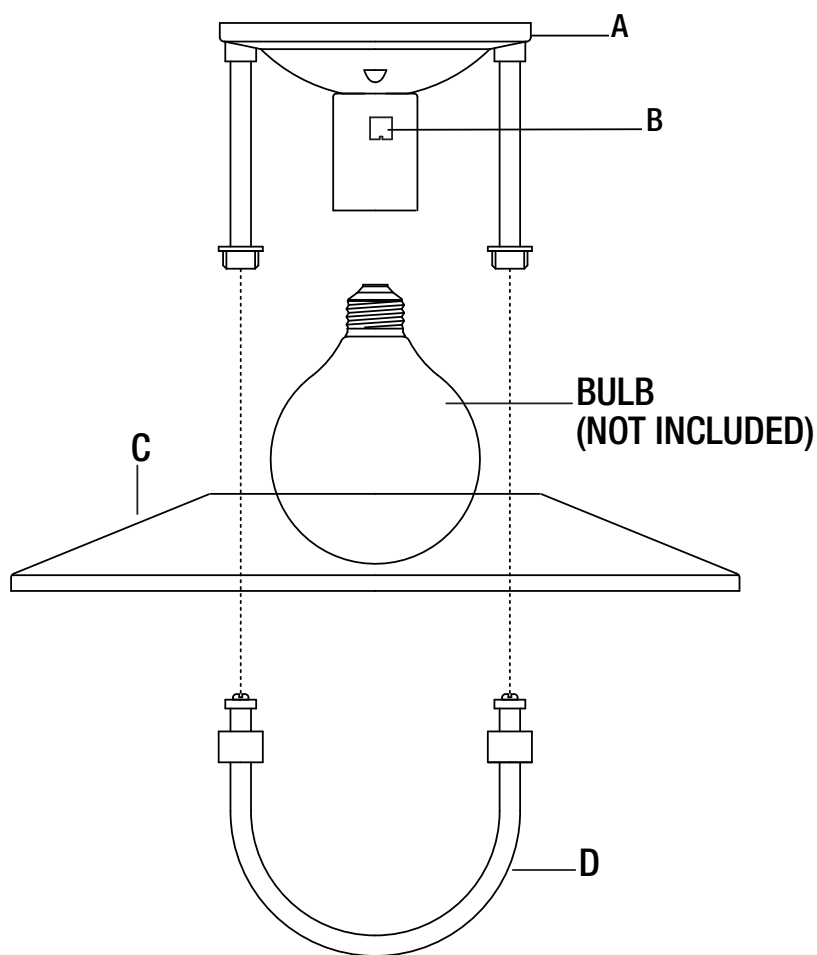
 **NOTE:** Hardware is not shown to actual size.



Part	Description	Quantity
AA	Wire nut	3
BB	Junction box screw	2
CC	Mounting bracket with fixture mounting screws	1

Pre-Installation (continued)

PACKAGE CONTENTS



Part	Description	Quantity
A	Fixture body	1
B	Threaded cap	2
C	Shade	1
D	Arm	1

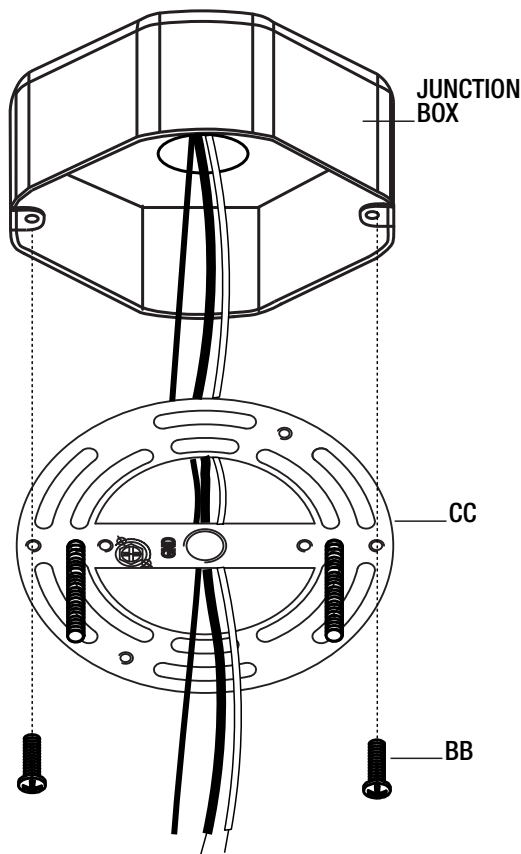
Installation

1 Installing the mounting bracket



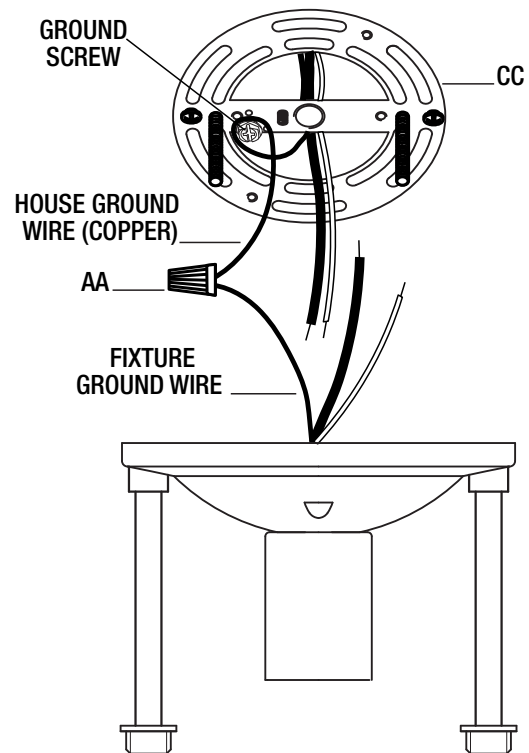
IMPORTANT: Disconnect the power at the main fuse box.

- Carefully pull the house wires out of the junction box so the wires are easily accessible for connection to the fixture wires.
- Position the mounting bracket (CC) so the threaded ends of the attached fixture mounting screws are pointing down. Pull the house wires through the large center hole in the mounting bracket (CC).
- Align the small holes in the mounting bracket (CC) with the holes in the junction box.
- Thread one junction box screw (BB) into each hole in the mounting bracket (CC) and into each hole in the junction box. Tighten the junction box screws (BB) to secure the mounting bracket (CC) to the junction box.



2 Connecting the wires

- Strip 3/4 in. of the insulation from the ends of the fixture wires.
- Loosen the ground screw on the mounting bracket (CC). Wrap the house ground wire (copper) around the ground screw on the mounting bracket (CC). Leave enough ground wire to attach to the fixture ground wire. Twist the end of the fixture ground wire and the end of the house ground wire together. Twist a wire nut (AA) onto the ends of the wires. Completely tighten the wire nut (AA) to secure the wires together. Reference the chart below for the correct wire connections.



Connect Supply (House) Ground Copper Wire to:

Bare Copper Wire or,

Bare Silver Wire or,

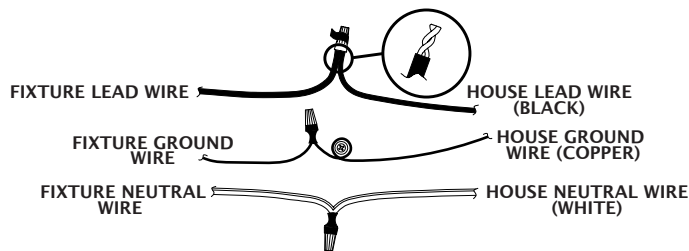
Green Insulated Wire.

Installation (continued)

3 Connecting the wires (continued)

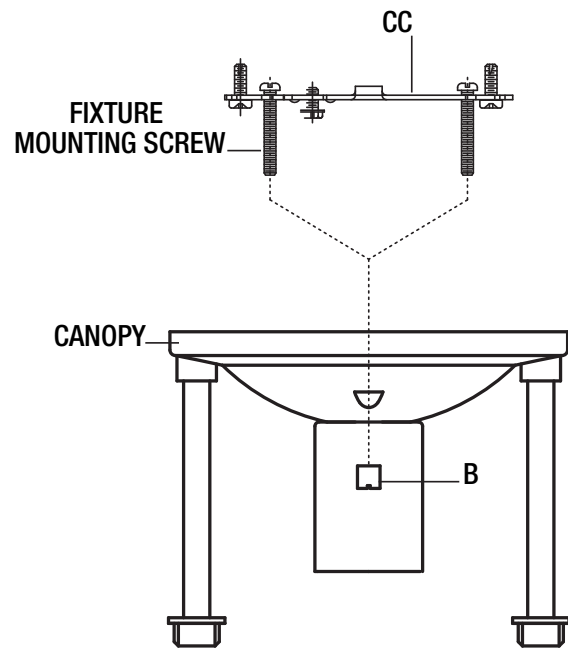
- Twist the end of the house lead wire (black) and the end of the fixture lead wire together. Twist a wire nut (AA) onto the ends of the wires. Completely tighten the wire nut (AA) to secure the wires together.
- Twist the end of the house neutral wire (white) and the end of the fixture neutral wire together. Twist a wire nut (AA) onto the ends of the wires. Completely tighten the wire nut (AA) to secure the wires together. Reference the chart below for the correct wire connections.
- Wrap electrical tape (not included) around the wire nuts (AA) and the wires. Ensure the wires are securely fastened into the wire nuts (AA).
- Carefully push all the wires and the wire nuts (AA) into the junction box.

Connect Black Lead Supply (House) Wire to:	Connect White Neutral Supply (House) Wire to:
Black Wire or,	White Wire or,
*Parallel Cord (Round and Smooth) or,	*Parallel Cord (Square and Ridged) or,
No printed words on wire insulation or,	Printed words on wire insulation or,
Insulated Wire (other than green) with Copper Conductor.	Insulated Wire (other than green) with Silver Conductor.
*When parallel wire (SPT 1 & SPT 2) is used: The lead wire is round in shape or smooth. The neutral wire is square in shape or ridged.	



4 Installing the fixture to the ceiling

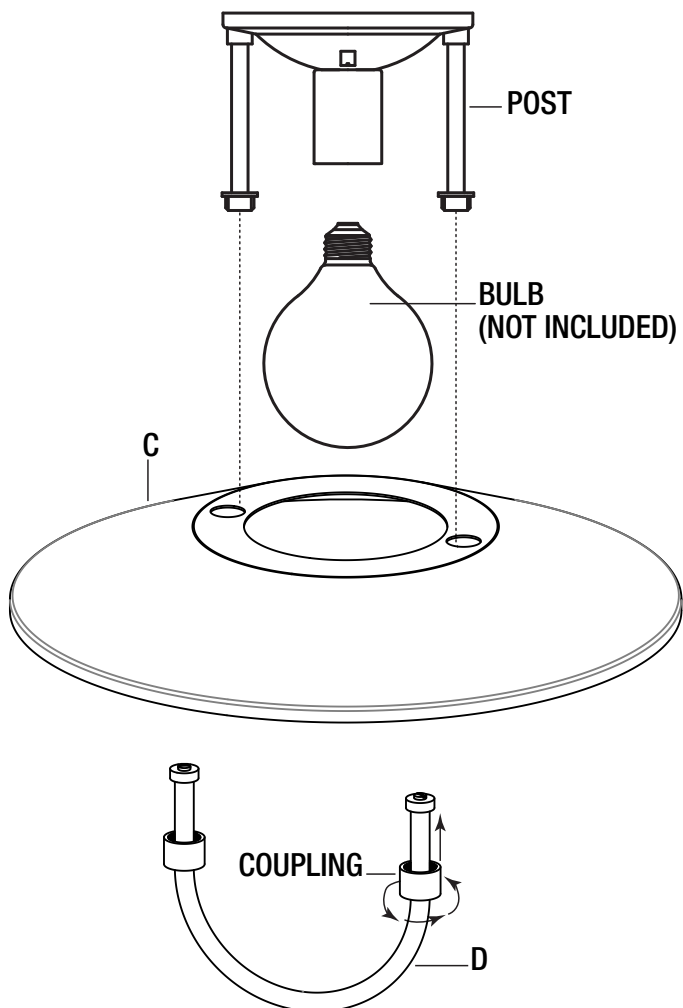
- Raise the fixture up to the ceiling. Place the canopy of the fixture over the mounting bracket (CC). Pass the holes in the canopy over the ends of the fixture mounting screws on the mounting bracket (CC). Screw one threaded cap (B) onto the end of each fixture mounting screw. Tighten the threaded caps (B) to secure the fixture to the ceiling.



Installation (continued)

5 Installing the shade and bulb

- Screw the recommended bulb (E26 Edison bulb type, not included) into the socket. The correct bulb wattage is marked on the socket. DO NOT exceed the maximum bulb wattage.
- Raise the shade (C) up to the fixture. Pass the holes in the top of the shade (C) over the ends of each post.
- Raise the arm (D) up to the fixture. Insert the ends of the arm (D) into the ends of the posts.
- Slide each coupling on the arm (D) up over the end of each post. Turn each coupling to tighten the couplings onto the ends of the posts to secure the arm (D) to the post.



Maintenance



WARNING: Before you perform any cleaning or maintenance work, turn off the electricity at the main circuit breaker panel.

Care and Cleaning

- Wipe the fixture with a dry, soft cloth.
- Do not use any cleaners with chemicals, solvents, or harsh abrasives.

Troubleshooting

Problem	Possible Cause	Solution
The light bulb will not turn on.	A bulb is burned out.	<input type="checkbox"/> Replace the light bulb.
	The power is off.	<input type="checkbox"/> Ensure the power supply is on.
	There is a faulty wire connection.	<input type="checkbox"/> Check the wiring. <input type="checkbox"/> Contact a qualified and licensed electrician if you are not comfortable troubleshooting wiring problems.
	There is a faulty switch.	<input type="checkbox"/> Test or replace the switch.
The fuse blows or the circuit breaker trips when the light is turned on.	There are crossed wires or the power wire is grounding out.	<input type="checkbox"/> Discontinue use of the fixture. Check the wire connections or contact a qualified electrician.

**HOME
DECORATORS
COLLECTION®**

Questions, problems, missing parts? Before returning to the store,
call Home Decorators Collection Customer Service
8 a.m. - 7 p.m., EST, Monday - Friday, 9 a.m.- 6 p.m., EST, Saturday

1-800-986-3460

[HOMEDEPOT.COM/HOMEDECORATORS](https://www.homedepot.com/homedecorators)

Retain this manual for future use.