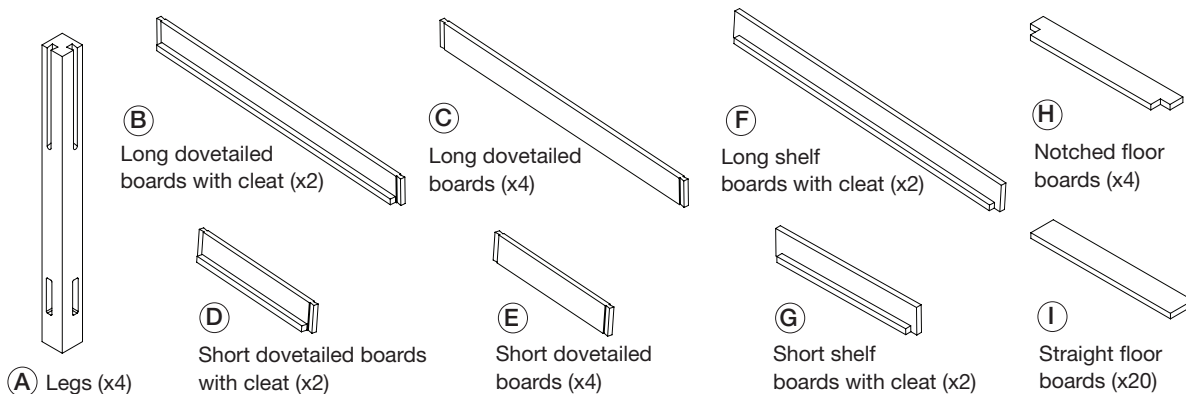


# TOOL-FREE CEDAR ELEVATED GARDEN PLANTER WITH SHELF ASSEMBLY INSTRUCTIONS

ACTUAL SIZE: 45-1/2 in. L x 24 in. W x 31-3/4 in. H

## Parts List



### ITEMS NEEDED:

- Work gloves
- Landscape fabric

### Recommended:

- Rubber mallet

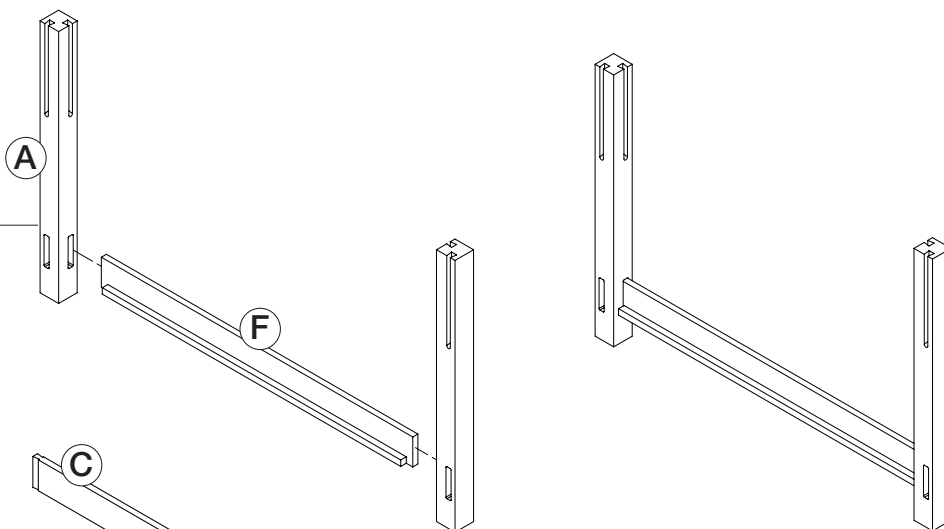
To view the installation video, visit [HomeDepot.com](http://HomeDepot.com) and search "Vigoro Elevated Garden Bed".

**QUESTIONS?** Contact our customer service department **Phone:** (682) 286-1721 **Email:** [227CustomerService@ufpi.com](mailto:227CustomerService@ufpi.com)

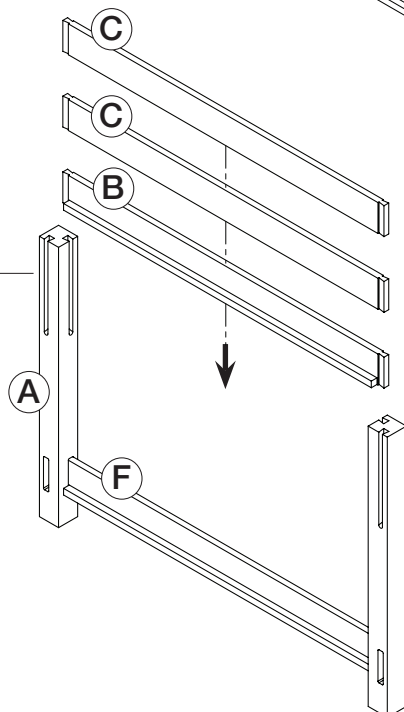
## Assembly

### 1 Build long sides.

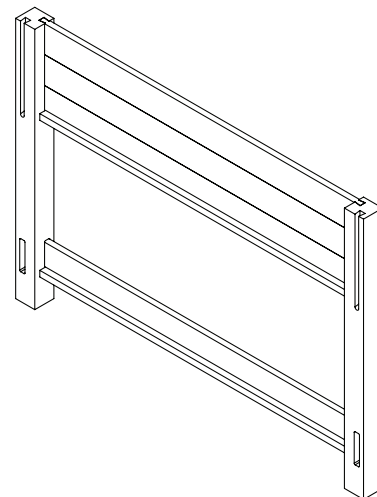
- Insert one long shelf board with cleat (F) into the routed holes in the bottom of two legs (A) as shown.



- Slide one long dovetail board with cleat (B) in the grooves of the legs. Then, slide in two long dovetailed boards without cleat (C) to complete the side.



- Repeat to build second long side.



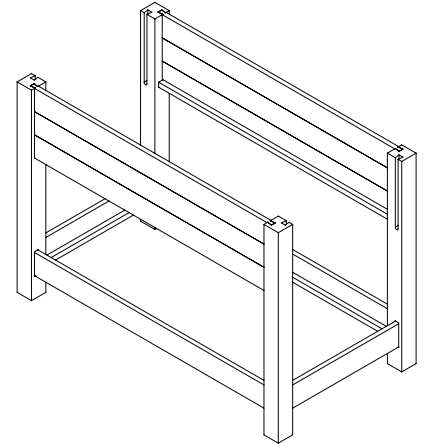
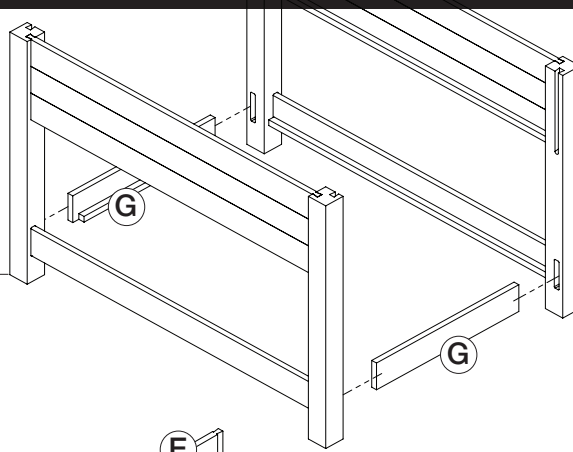
continued on next page

# TOOL-FREE CEDAR ELEVATED GARDEN PLANTER WITH SHELF – ASSEMBLY INSTRUCTIONS

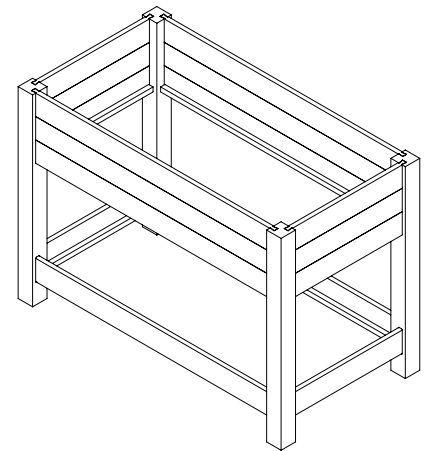
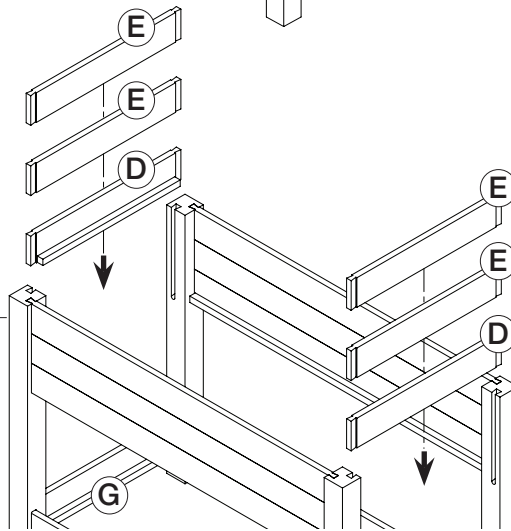
## Assembly – continued

### 2 Build short sides.

- Stand up the completed long sides. Insert the short shelf boards with cleat (G) into the holes in the legs as shown.



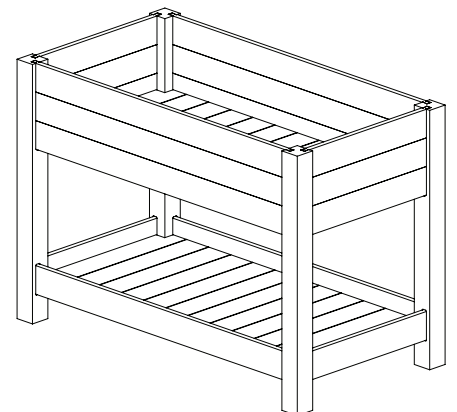
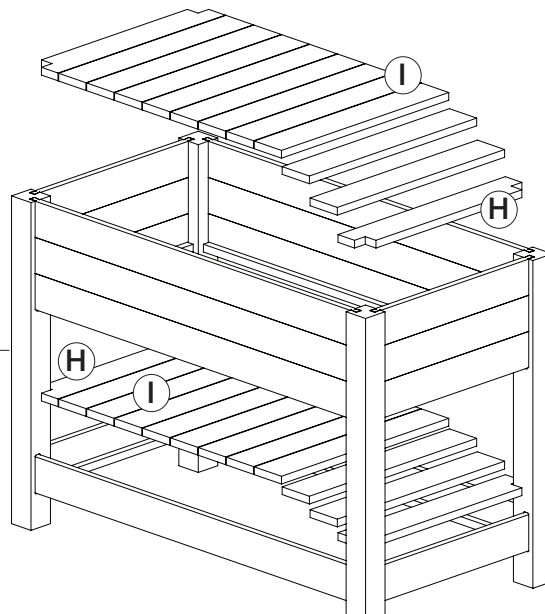
- Slide one short dovetail board with cleat (D) in the grooves of the legs. Then, slide in two short dovetailed boards without cleat (E) to complete the side.
- Repeat to build second short side.



### 3 Add the floors.

- Place the floor boards on the cleats to complete the planter and shelf.

**Note:** Boards will have small gaps in between them to allow for drainage.



#### Recommendations:

- Lay down landscape fabric (sold separately) prior to filling with soil.
- You'll need approximately 5-1/2 cubic feet of soil to fill the planter.

THE DIAGRAMS AND INSTRUCTIONS IN THIS BROCHURE ARE FOR ILLUSTRATION PURPOSES ONLY AND ARE NOT MEANT TO REPLACE A LICENSED PROFESSIONAL. ANY CONSTRUCTION OR USE OF THE PRODUCT MUST BE IN ACCORDANCE WITH ALL LOCAL ZONING AND/OR BUILDING CODES. THE CONSUMER ASSUMES ALL RISKS AND LIABILITY ASSOCIATED WITH THE CONSTRUCTION OR USE OF THIS PRODUCT. THE CONSUMER OR CONTRACTOR SHOULD TAKE ALL NECESSARY STEPS TO ENSURE THE SAFETY OF EVERYONE INVOLVED IN THE PROJECT, INCLUDING, BUT NOT LIMITED TO, WEARING THE APPROPRIATE SAFETY EQUIPMENT. EXCEPT AS CONTAINED IN THE WRITTEN LIMITED WARRANTY, THE WARRANTOR DOES NOT PROVIDE ANY OTHER WARRANTY, EITHER EXPRESS OR IMPLIED, AND SHALL NOT BE LIABLE FOR ANY DAMAGES, INCLUDING CONSEQUENTIAL DAMAGES.