

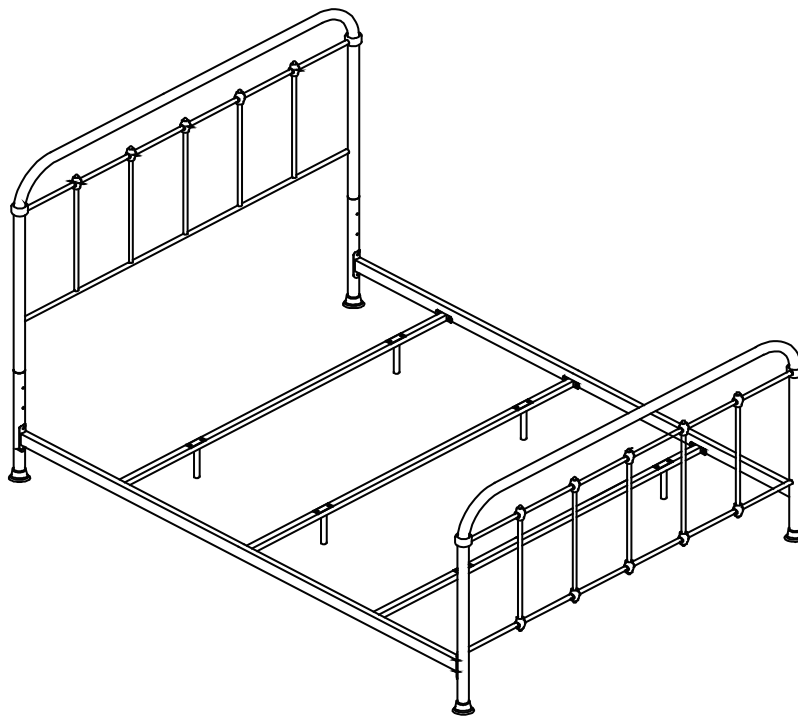
# StyleWell™

Item #1004076384  
1004076398  
Model # BD8044B/W

## USE AND CARE GUIDE

---

### BLACK/WHITE METAL KING BED



Questions, problems, missing parts? Before returning  
to the store, Customer Service.

8 a.m. – 7 p.m., EST, Monday – Friday, 9 a.m. – 6 p.m.,  
EST, Saturday

1-877-527-0313

[HOMEDEPOT.COM](http://HOMEDEPOT.COM)

*THANK YOU*

*We appreciate the trust and confidence you have placed in Stylewell through the purchase of this Black/White metal king bed. We strive to continually create quality products designed to enhance your home. Visit us online to see our full line of products available for your home improvement needs. Thank you for choosing Stylewell!*

# Table of Contents

Table of Contents.....	2	Assembly – 1 .....	5
Safety Information.....	2	Assembly – 2 .....	6
Warranty.....	2	Assembly – 3 .....	7
What is Covered .....	2	Maintenance.....	8
What is Not Covered .....	2	Care and Cleaning.....	8
Pre-assembly .....	3		
Planning Assembly .....	3		
Tools required .....	3		
Hardware Included.....	3		
Package Contents .....	4		

# Safety Information

## DANGER

1. To avoid danger of suffocation , keep the small parts/bolts away from babies and children.
2. Make sure all bolts are tightly fastened before the product is used.
3. Please read the assembly instructions carefully prior to assembling the product.

## WARNING

1. Should this products become damaged, and/or components are broken or missing, DO NOT USE.
2. To avoid damage, assemble the product on a non-abrasive surface such as carpet.
3. Please make sure you have all parts before beginning assembly.
4. Do not throw away any packaging material until assembly is completed

## CAUTION

1. Adult assembly required. Assembly may require two people.
2. Please wait until all steps are completed before tightening bolt.
3. Use the long end of the allen wrench to fasten allen bolts loosely and quickly.
4. Use the short end of the allen wrench for final tightening.
5. Do not tighten bolts completely until all bolts are completely lined up and inserted into holes /nuts

# Warranty

## 1 YEAR WARRANTY

### WHAT IS COVERED

THD warrants its product to be free from defects in material and workmanship and agrees to remedy any such defect. This warranty covers 1 year from the date of original purchase. This warranty is valid only upon presentation of proof of purchase.

### WHAT IS NOT COVERED

It remains the customer's responsibility for freight and packaging charges to and from the customer service center. Labor and material charges to remove or replace parts under this warranty are not covered. This warranty does not cover: Furniture used for commercial purposes, failures caused by improper installation or abusive use, Freeze damage, acts of god, rust, purchased parts or return freight and packaging charges .

Contact the Customer Service Team at 1-877-527-0313 or visit [www.HomeDepot.com](http://www.HomeDepot.com)

# Pre-Assembly

## PLANNING ASSEMBLY

Ensure all parts and components are present before beginning assembly.  
Assemble on soft, smooth surface to prevent damage to product finish.  
Do not over tighten screws and bolts to avoid stripping.

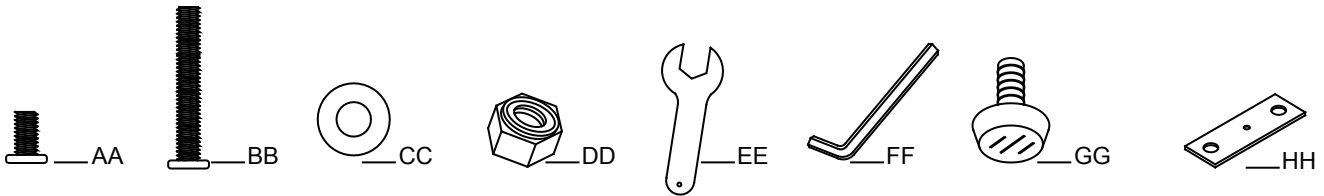


**NOTE:** DO NOT use power tools

## HARDWARE INCLUDED



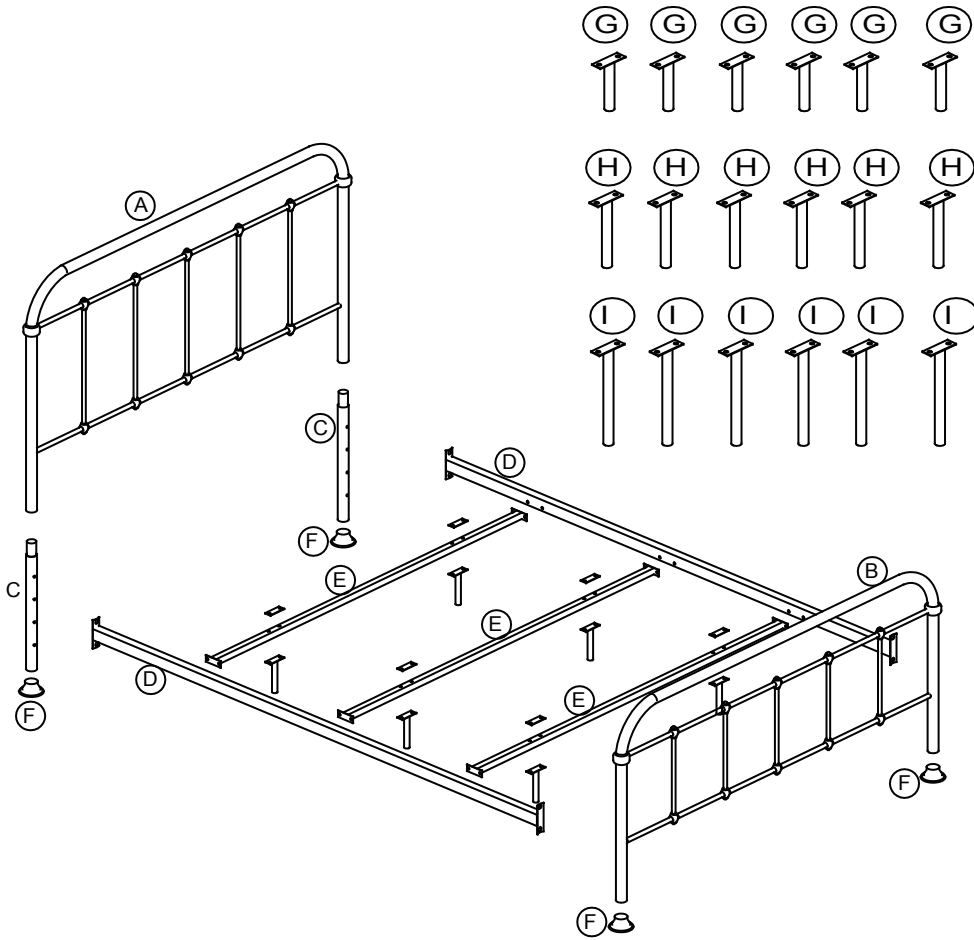
**NOTE:** Hardware not shown to actual size.



Part	Hardware list	Quantity
AA	Bolt 1/4x15mm	28
BB	Bolt 1/4x40mm	12
CC	Flat Washer	12
DD	Nut	12
EE	Open Spanner	1
FF	Allen Key	1
GG	Adjustable Leveler	6
HH	Bracket	6

# Pre-assembly (continued)

## PACKAGE CONTENTS

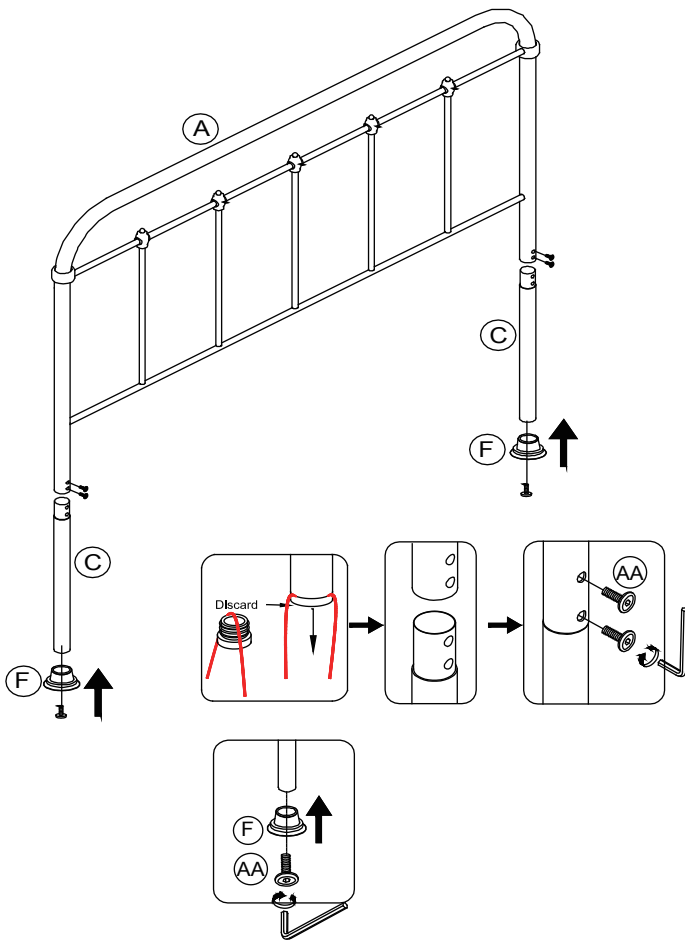


Part	Part Description	Quantity
A	Headboard	1
B	Footboard	1
C	Leg Extension	2
D	Side Rail	2
E	Slats	3
F	Foot	4
G	Center Legs (Short)	6
H	Center Legs (Middle)	6
I	Center Legs (Long)	6

# Assembly

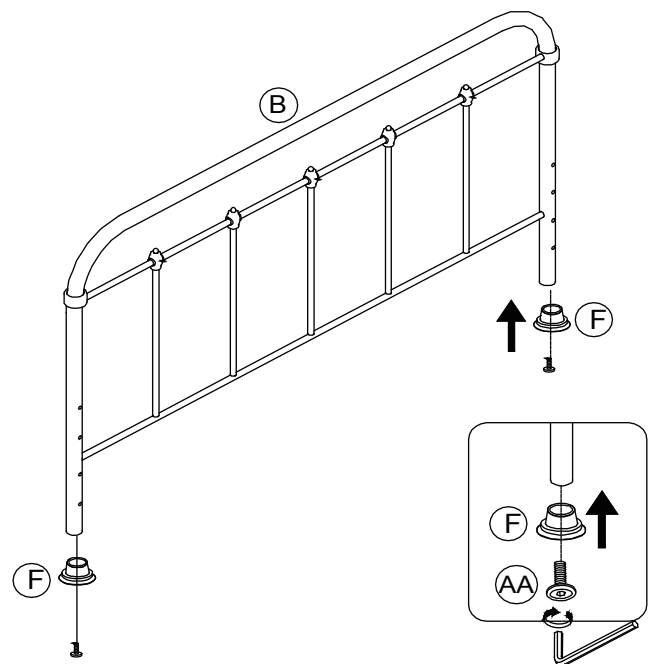
## 1 Attaching the headboard

- Put out and discard the end cap on the headboard and attach leg Extension(C) to the headboard (A) with short bolt(AA)
- Attach foot(F) to headboard with short bolt(AA) and tighten with Allen Wrench(FF) after all bolts are completely lined up and inserted into the holes.



## 2 Attaching The Footboard


- Attach foot(F) to footboard with short bolt(AA) and tighten with Allen Wrench(FF)

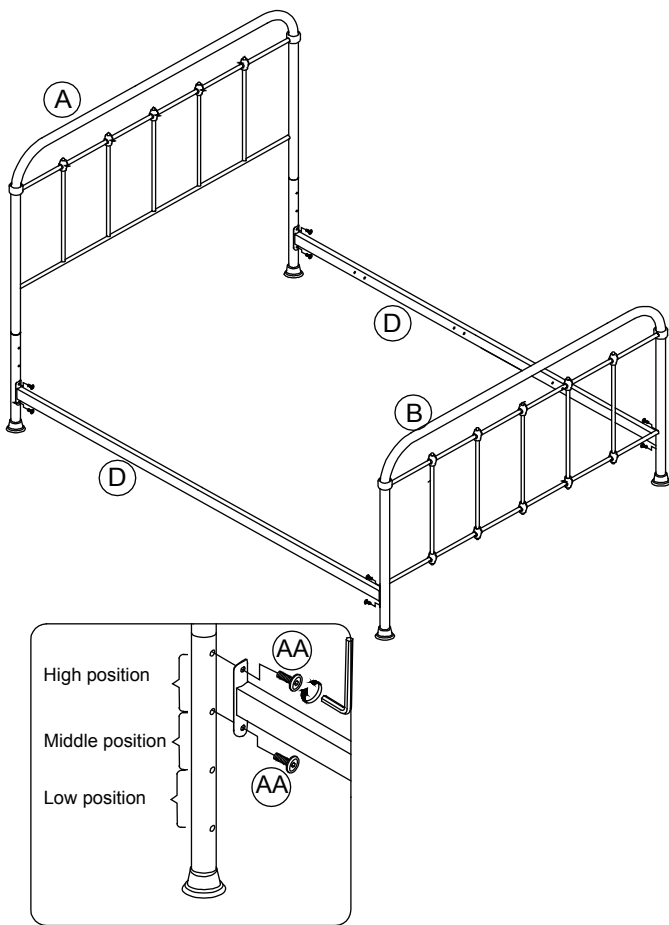


# Assembly

## 3 Attaching the Side Rails

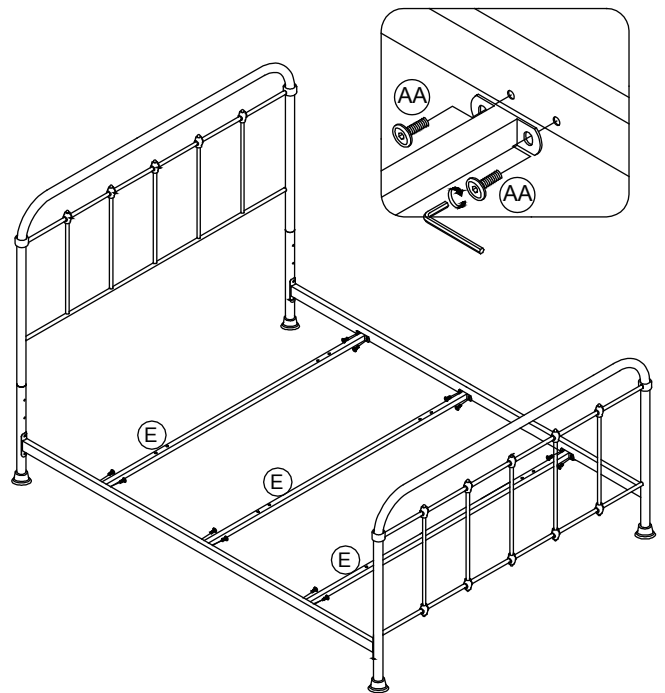
- The side rails can be assembled to three height positions. Select the proper position to assemble the side rail for your desired mattress height. Attach the side rails(D) to headboard and footboard with bolts (AA). Use Allen wrench (FF) to tighten

 **CAUTION:** Two side rails should be same height position



## 4 Attaching the Slats

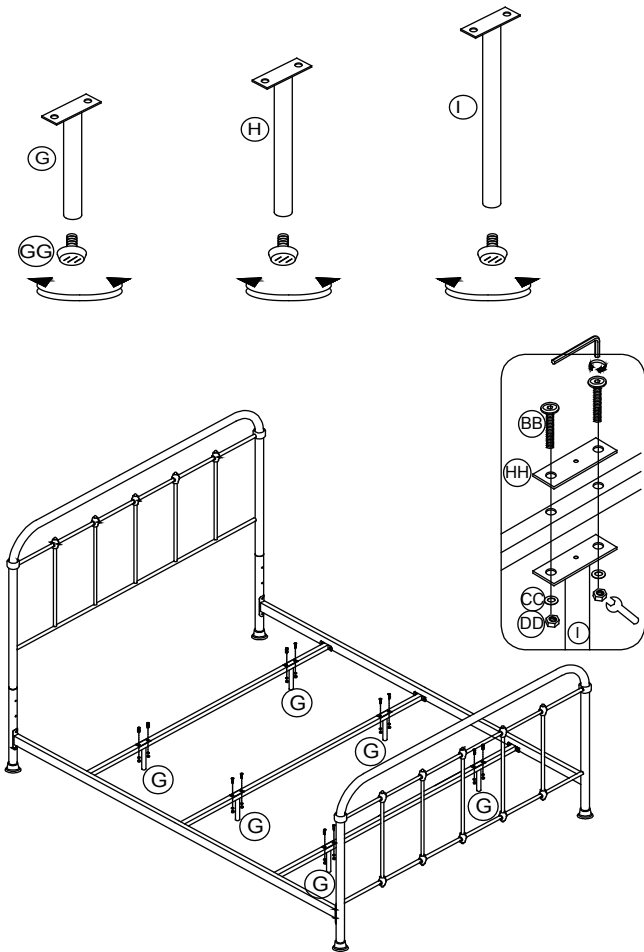
- Attach the slats (E) to side rails (D) with bolts (AA). Tighten with Allen wrench (FF).



# Assembly

## 5 Attaching the center legs

- Attach the adjustable leveler(GG) to the center legs(G,H and I)  
Attach the center legs(G,H or I) to the slats (E) with bolts (BB) through part(HH). attach washer(CC) and nuts(DD),  
Tighten with open spanner(EE) and allen key (FF)
- Determine the correct center leg height depending on side rail placement-low position, middle position, or high position.

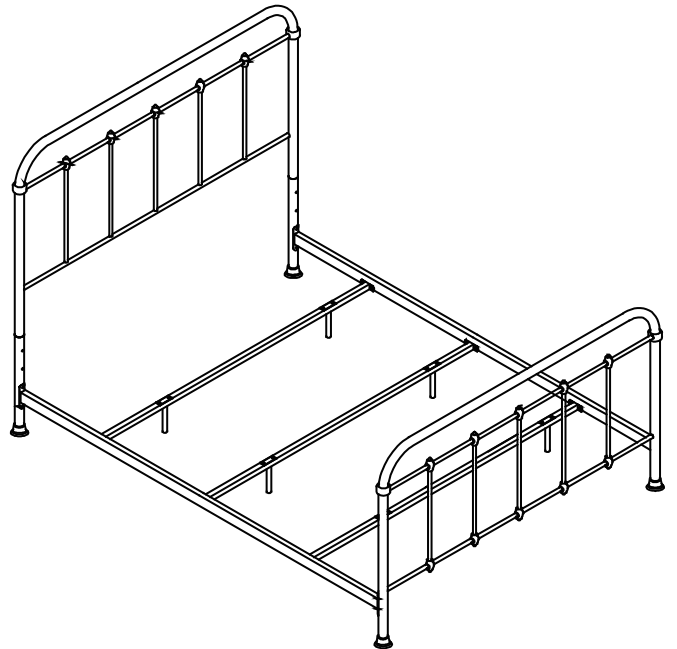


## 6 Finished -Tighten all bolts

- Fully tighten all bolts previously installed with Allen Wrench.  
Please use hand tools to assemble this product. Do not use power tools.  
Tighten all the bolts only on a level surface.



**CAUTION:** Do not over tighten screws and bolts to avoid stripping.



## Maintenance

---

- Check bolts/screws periodically and tighten them if necessary

## Care and Cleaning

---

- Dust this item regularly with a soft, lint-free cloth to prevent soil build up.
- Wipe away spills immediately to prevent staining using a clean cloth dampened with water.
- Do not use liquid or abrasive cleaners on the metal frame as this may damage the finish.



# **StyleWell™**

Questions, problems, missing parts?  
Before returning to the store, call Customer Service.  
8 a.m. – 7 p.m., EST, Monday – Friday, 9 a.m. – 6 p.m., EST, Saturday  
1-877-527-0313

**HOMEDEPOT.COM**  
Retain this manual for future