

Features

- Brass construction
- For single-hole mounting [K-16027-4]
- For single-hole mounting or 4" (102 mm) centerset installations with optional escutcheon [K-98146-4]
- One-piece, self-contained ceramic disc valve which allows both volume and temperature control
- Temperature memory allows the faucet to be turned on and off at any temperature setting.
- Flexible connections for easy installation
- 4-7/16" (113 mm) spout reach
- Stationary spout
- Pop-up drain with tailpiece
- 1.5 gallons (5.7 liters) per minute maximum flow rate

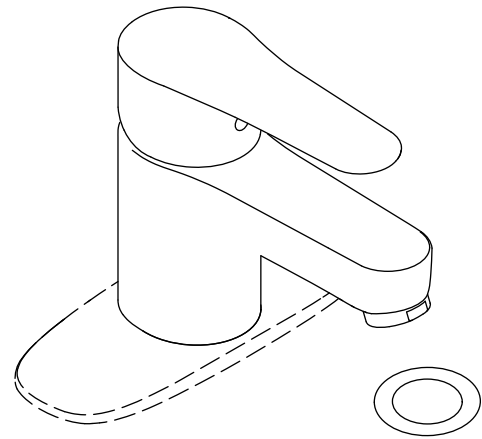
**SINGLE-HOLE BATHROOM SINK
FAUCET
K-16027
ALSO K-98146**



Codes/Standards Applicable

Specified model meets or exceeds the following at date of manufacture:

- ADA
- ICC/ANSI A117.1
- ASME A112.18.1/CSA B125.1
- NSF 61
- EPA WaterSense®
- All applicable US Federal and State material regulations



Colors/Finishes

- CP: Polished Chrome
- G: Brushed Chrome

Specified Model

Model	Description	Colors/Finishes	
		<input type="checkbox"/> CP	<input type="checkbox"/> G
K-16027-4	Single-hole bathroom sink faucet	<input type="checkbox"/> CP	<input type="checkbox"/> G
K-98146-4	Single-hole bathroom sink faucet with escutcheon (shown)	<input type="checkbox"/> CP	<input type="checkbox"/> G

Optional accessories
Additional flow options are available (refer to the Kohler Price Book)

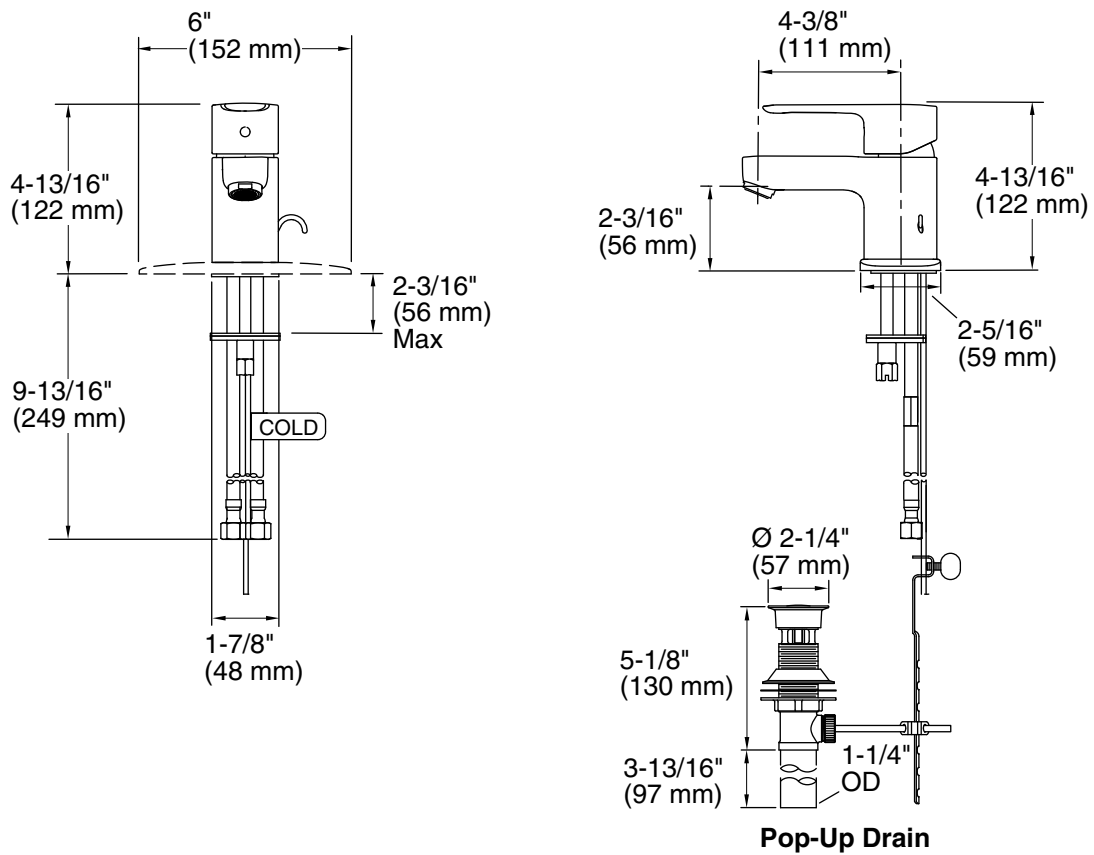
Product Specification

The single-hole bathroom sink faucet shall be of brass construction. Product shall have a maximum flow rate of 1.5 gallons (5.7 L) per minute. Product shall feature a one-piece, self-contained ceramic disc valve which allows both volume and temperature control. Product shall feature temperature memory, which allows the faucet to be turned on and off at any temperature setting. Faucet shall be for single-hole mounting [K-16027-4]. Faucet shall be for single-hole mounting or 4" (102 mm) centerset installations with optional escutcheon [K-98146-4]. Product shall feature 4-7/16" (113 mm) spout reach and stationary spout. Product shall have flexible connections for easy installation. Faucet shall have pop-up drain with tailpiece. Faucet shall be Kohler Model K-16027-4-____ or K-98146-4-____.

JULY

Installation Notes

Install this product according to the installation guide.



Product Diagram