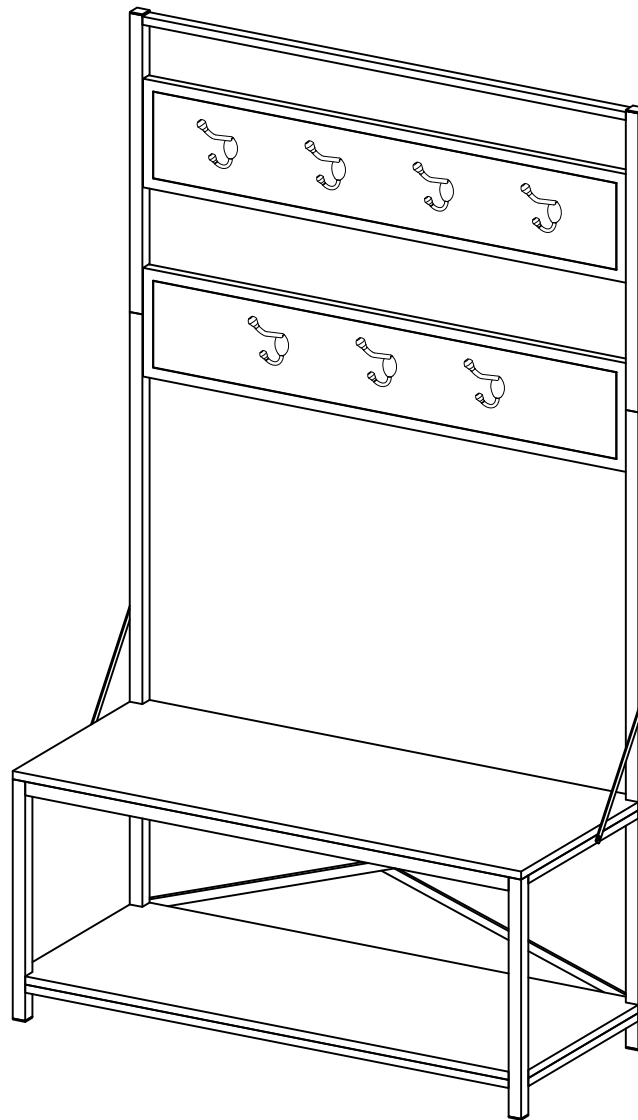


W Walker[®]
E Edison
furniture company

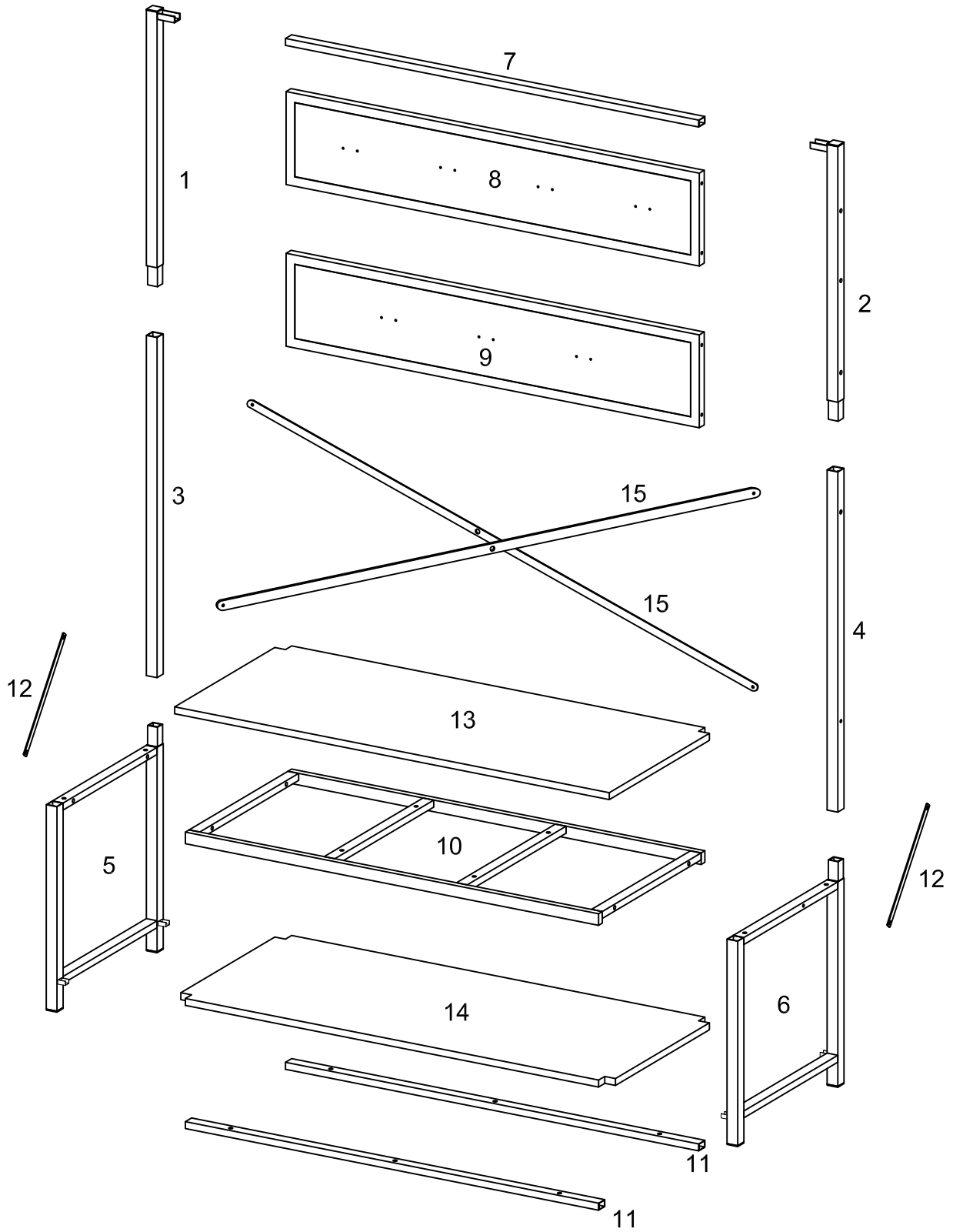
Item # : HT72MW
Assembly Instructions




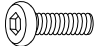
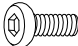





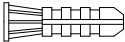



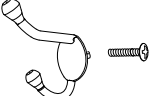
For the most current instructions, additional assembly tips, to report damage or request parts, please visit our website at www.walker-edison.com.

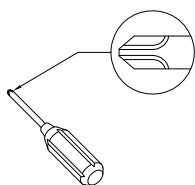
Revised 11/2017

Parts List



Hardware List

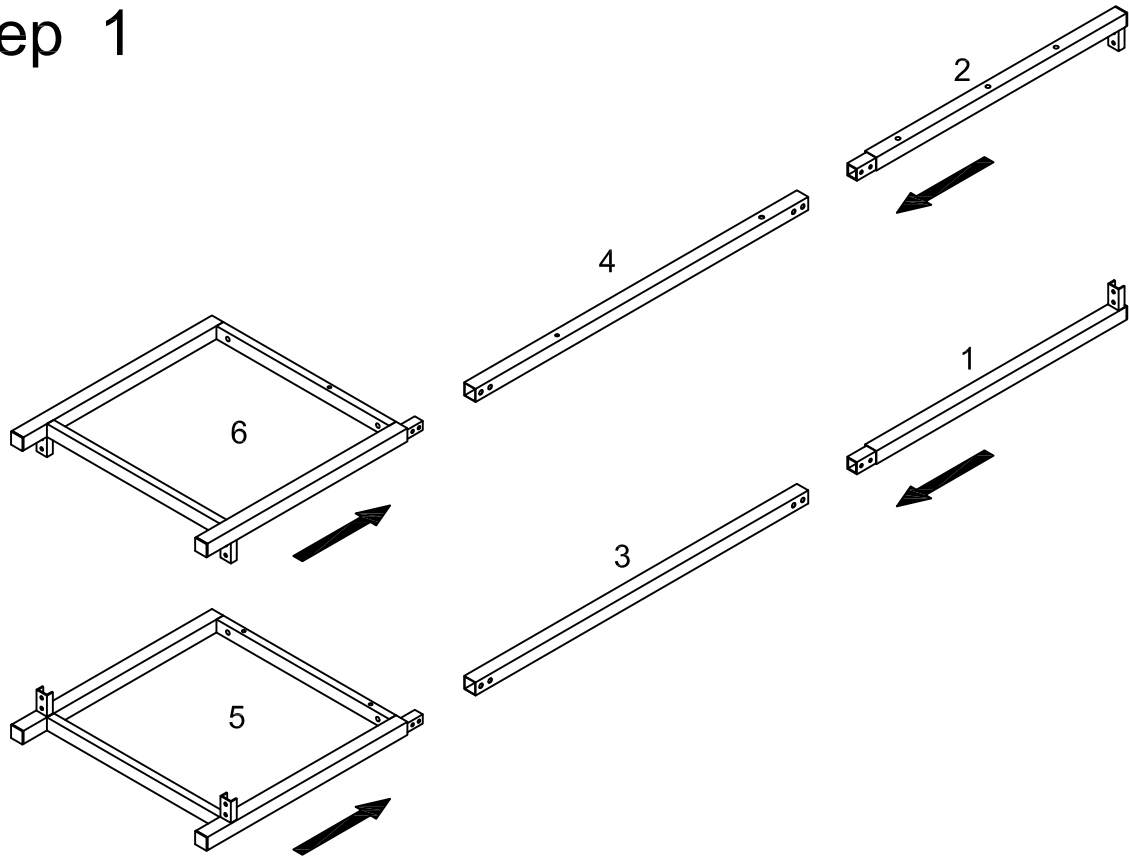
A		Ø1/4"*35mm	Bolt	12 pcs
B		Ø1/4"*25mm	Bolt	14 pcs
C		Ø1/4"*12mm	Bolt	24 pcs
D		M4*55mm	Wrench	1 pc
E		M4*12mm	Screw	4 pcs
F		M4*10mm	Bolt	1 pc
G		M4mm	Nut	1 pc
H			Angle iron	2 pcs
J			Wall anchor	2 pcs
K			Screw	2 pcs
L		Ø16*6.5*1.0mm	Washer	2 pcs
M			Wrench	1 pc
N			Hook	7 pcs



Philips head screwdriver required for assembly
(not included)

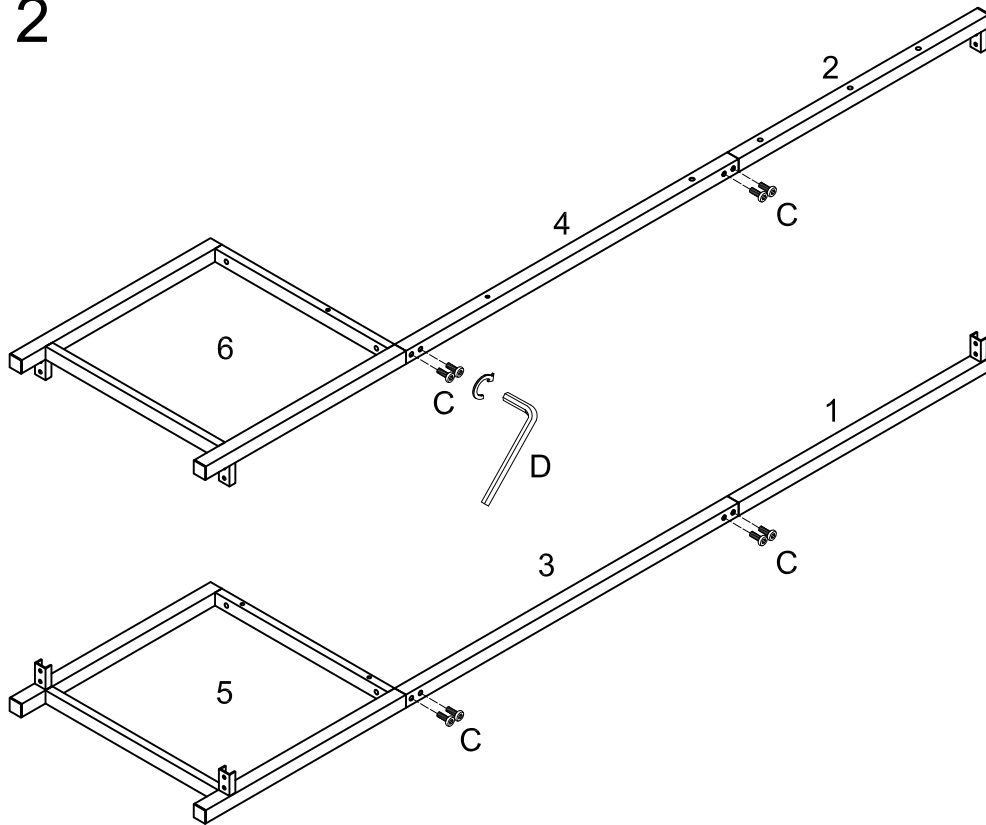
*The hardware quantities listed above are required for proper assembly.
Some extra hardware may also have been included.*

Step 1



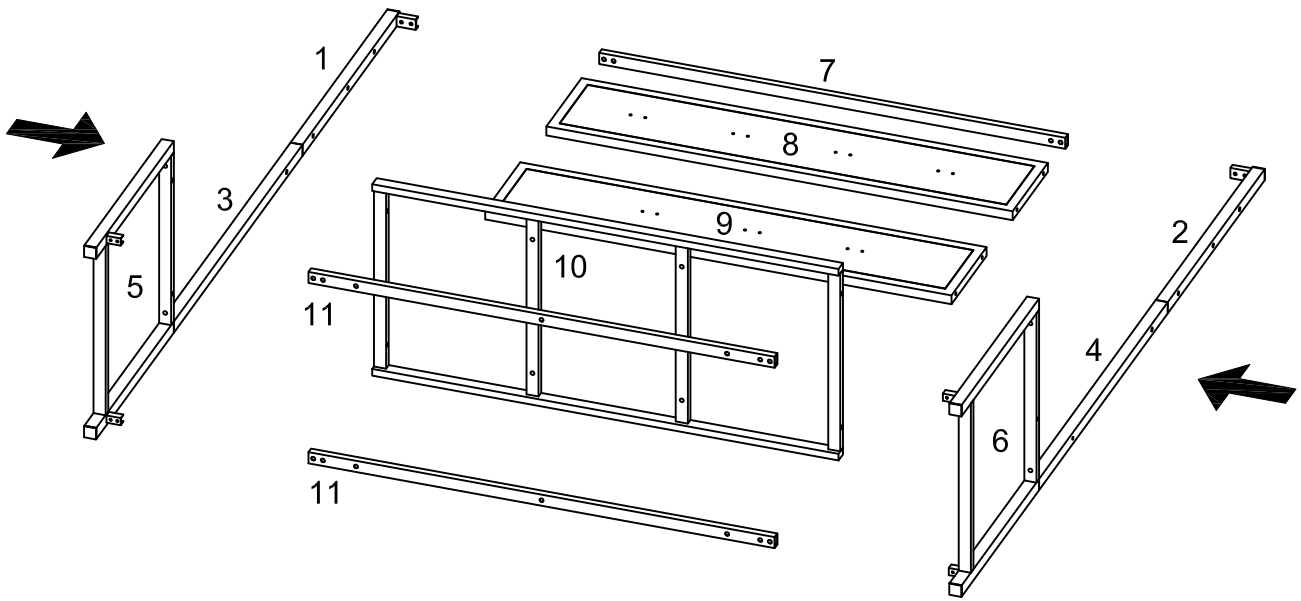
Join parts (2, 4, 6) and parts (1, 3, 5) as shown in the diagram.

Step 2



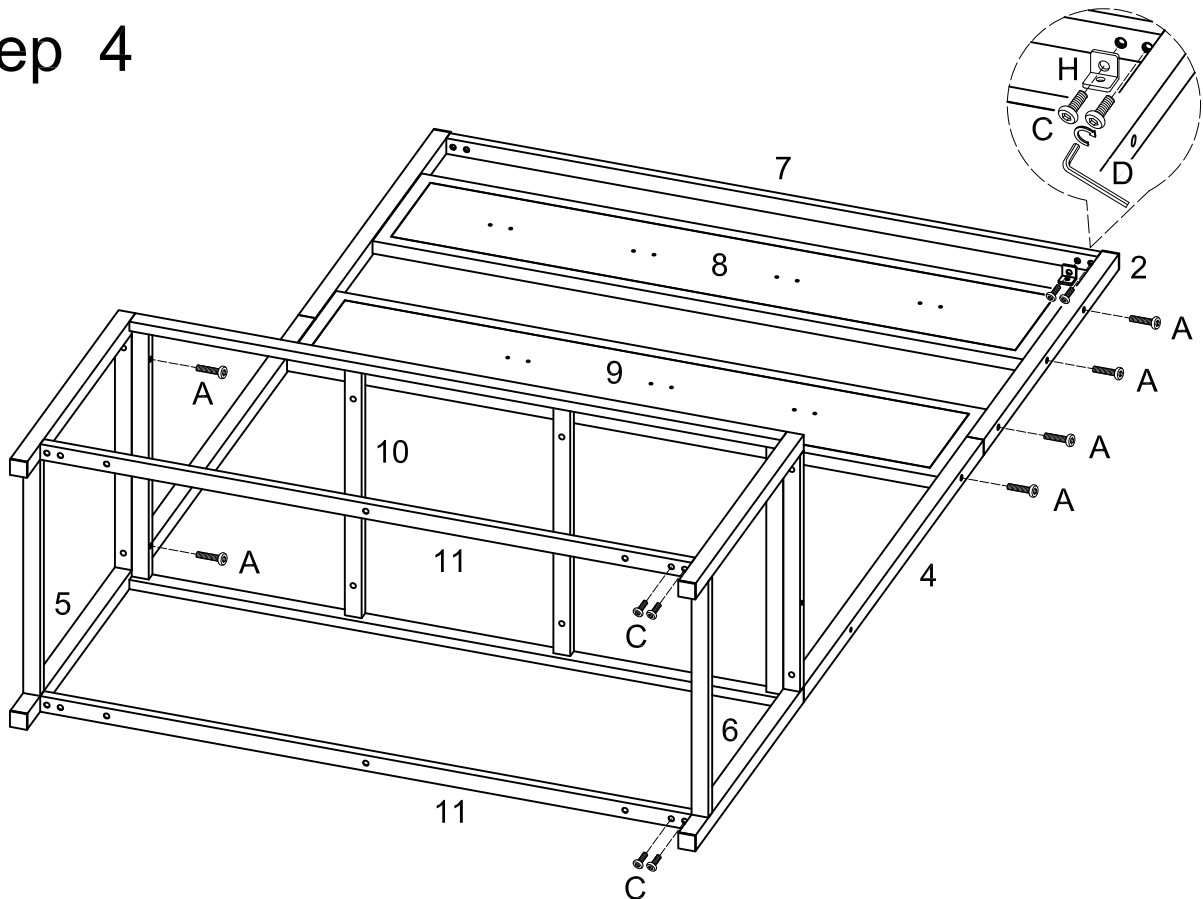
Secure parts together using bolts (C) as shown.

Step 3



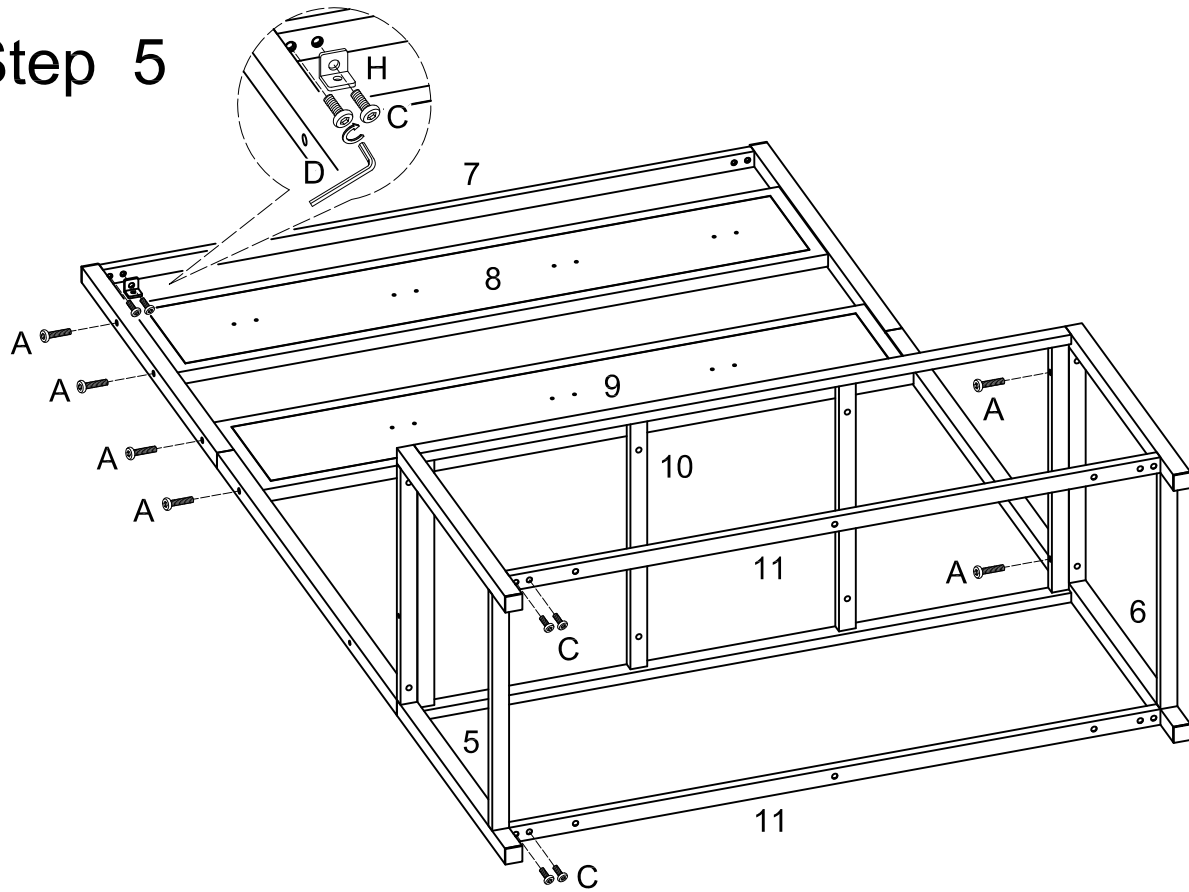
Join side assemblies to parts (7,8,9,10, 11) as shown in the diagram.

Step 4



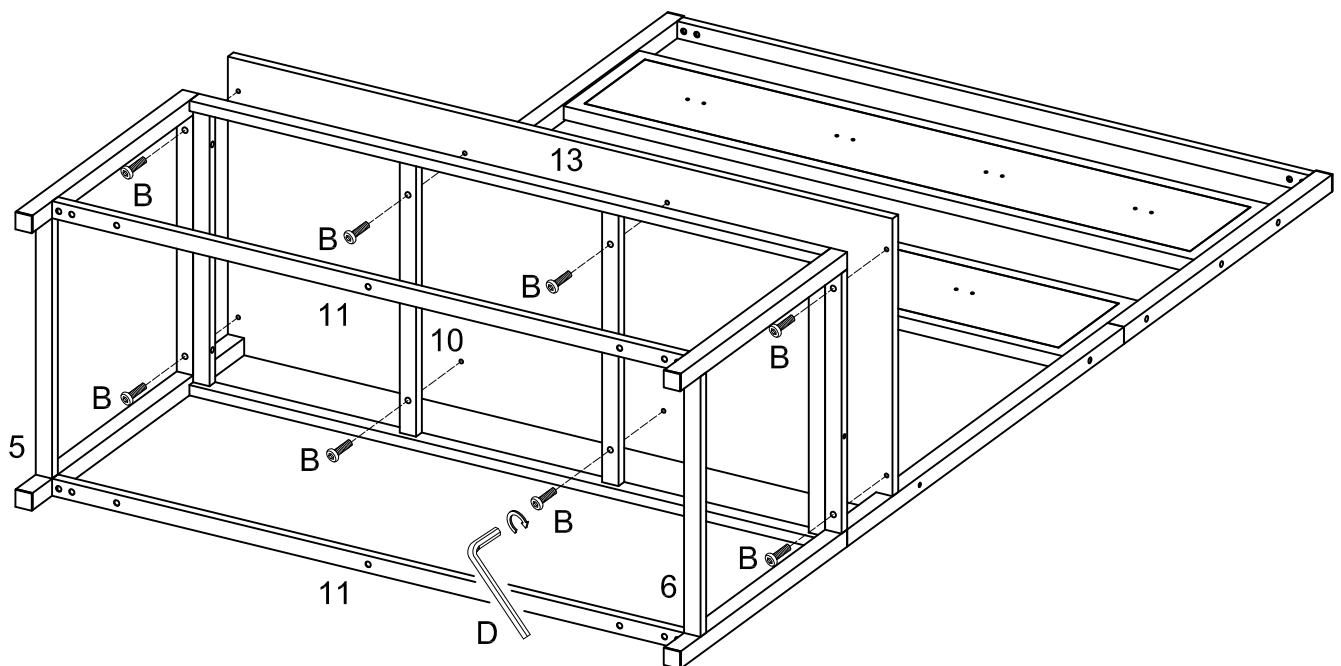
Secure parts together using bolts (A & C) as shown. Secure angle iron (H) using bolts (C).

Step 5



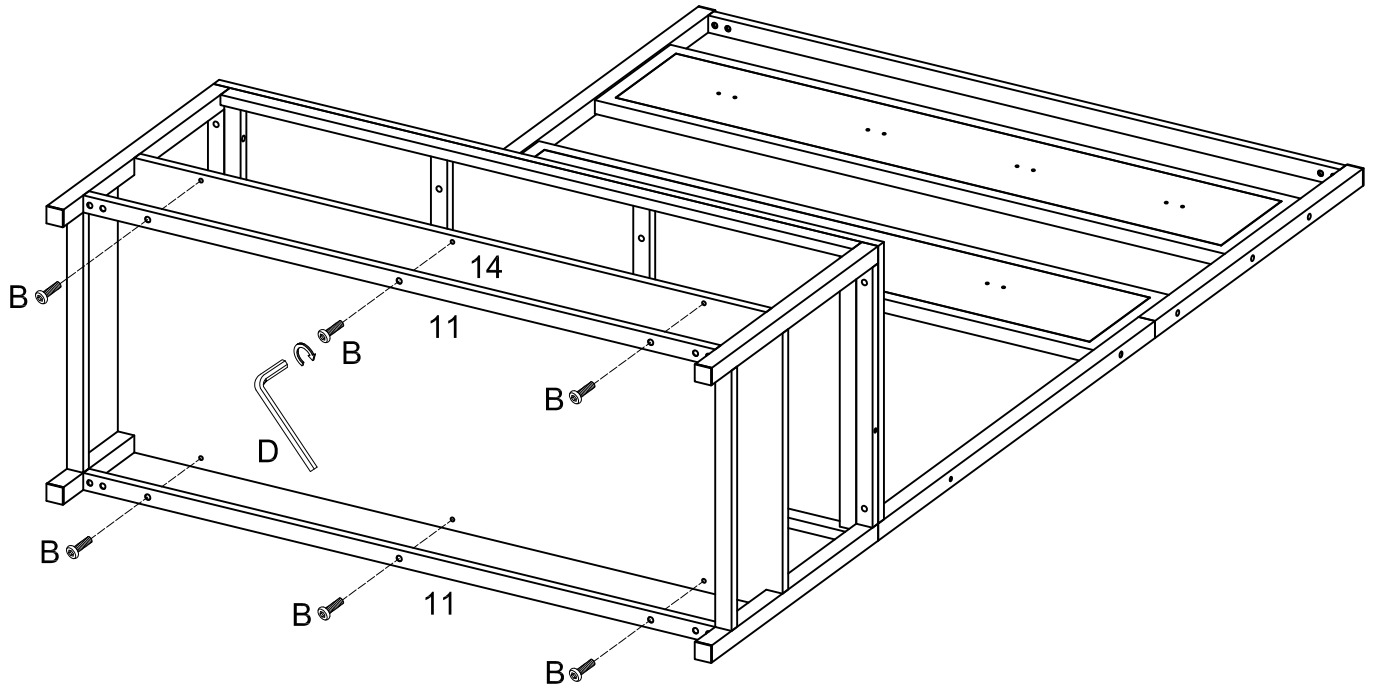
Secure parts together using bolts (A & C) as shown. Secure angle iron (H) using bolts (C).

Step 6



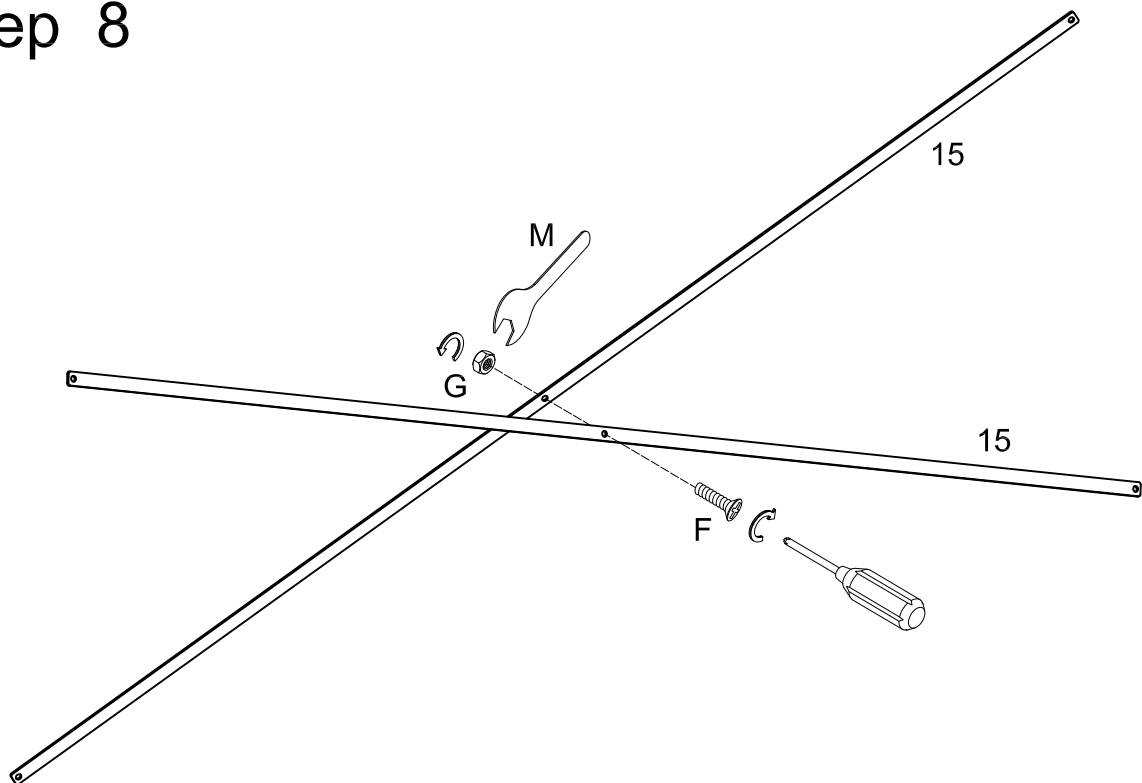
Attach seat (13) to frame assembly using bolts (B) as shown in the diagram.

Step 7



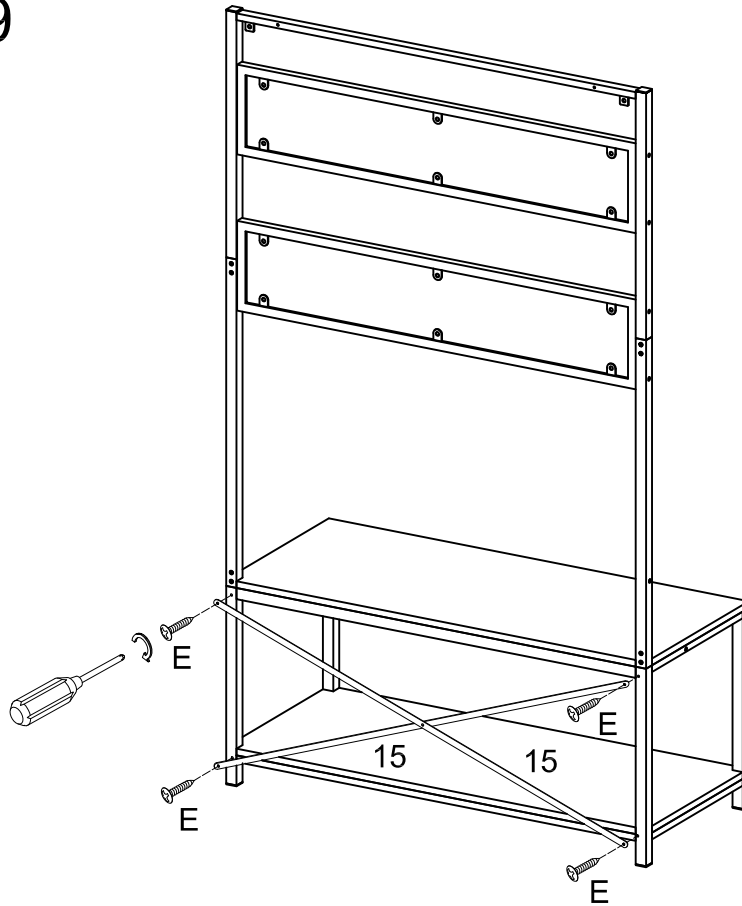
Attach shelf (14) to frame assembly using bolts (B) as shown in the diagram.

Step 8



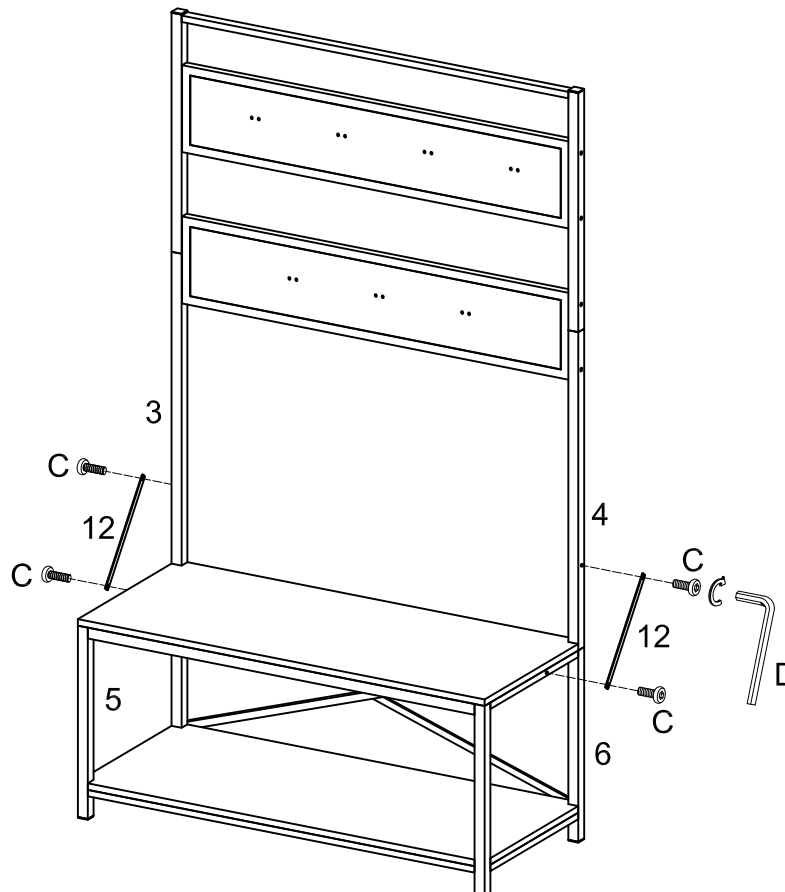
Join cross beams (15) together using bolt (F) and nut (G) as shown.

Step 9



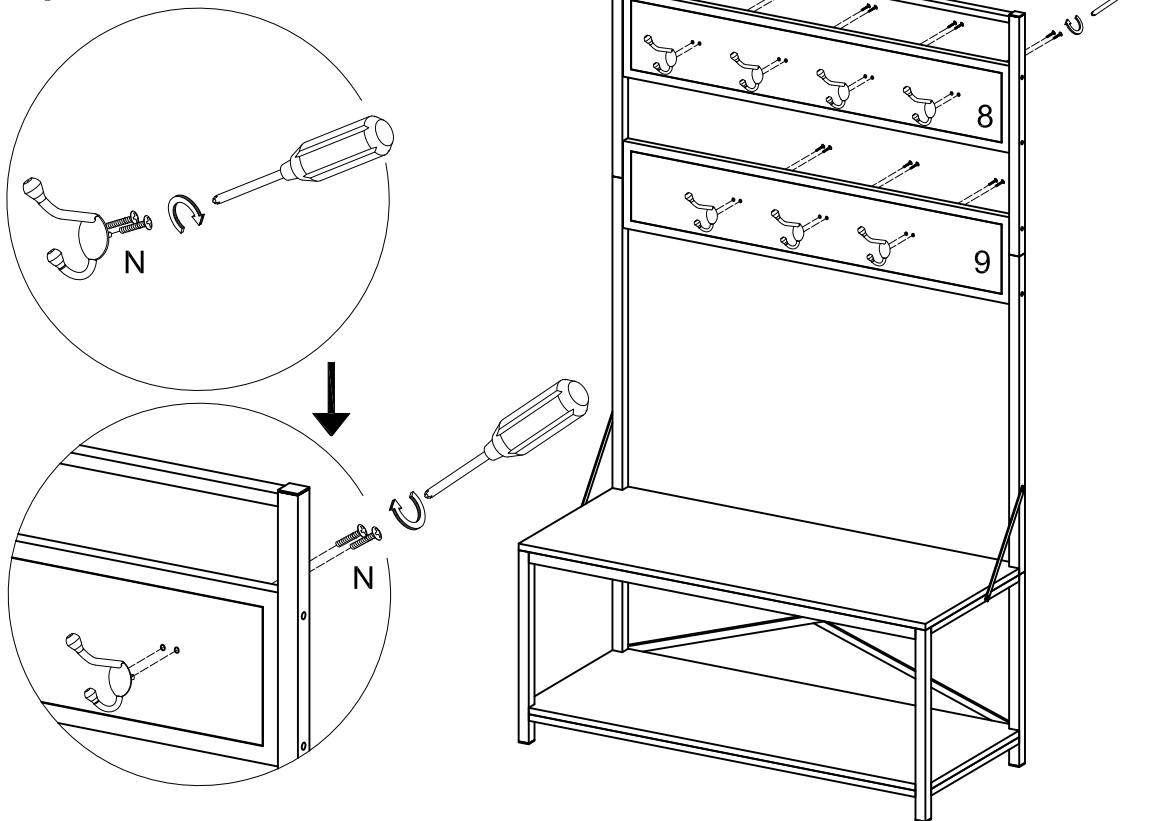
Secure cross beam assembly to frame using screws (E).

Step 10



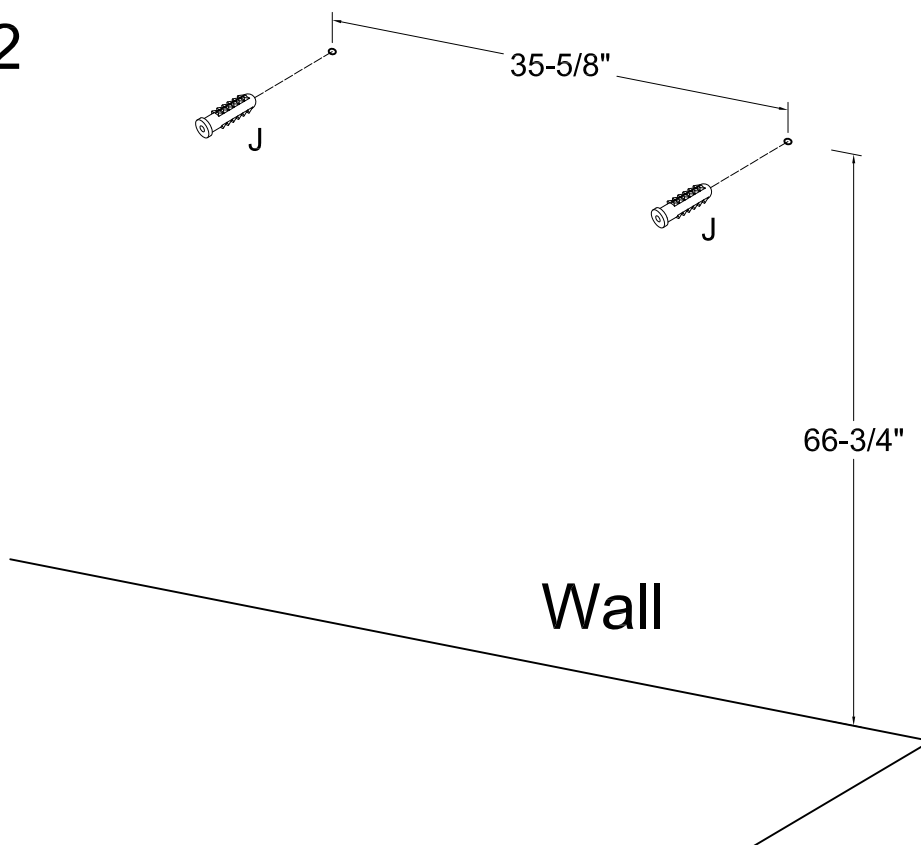
Attach angle supports (12) to frame using bolts (C) as shown.

Step 11



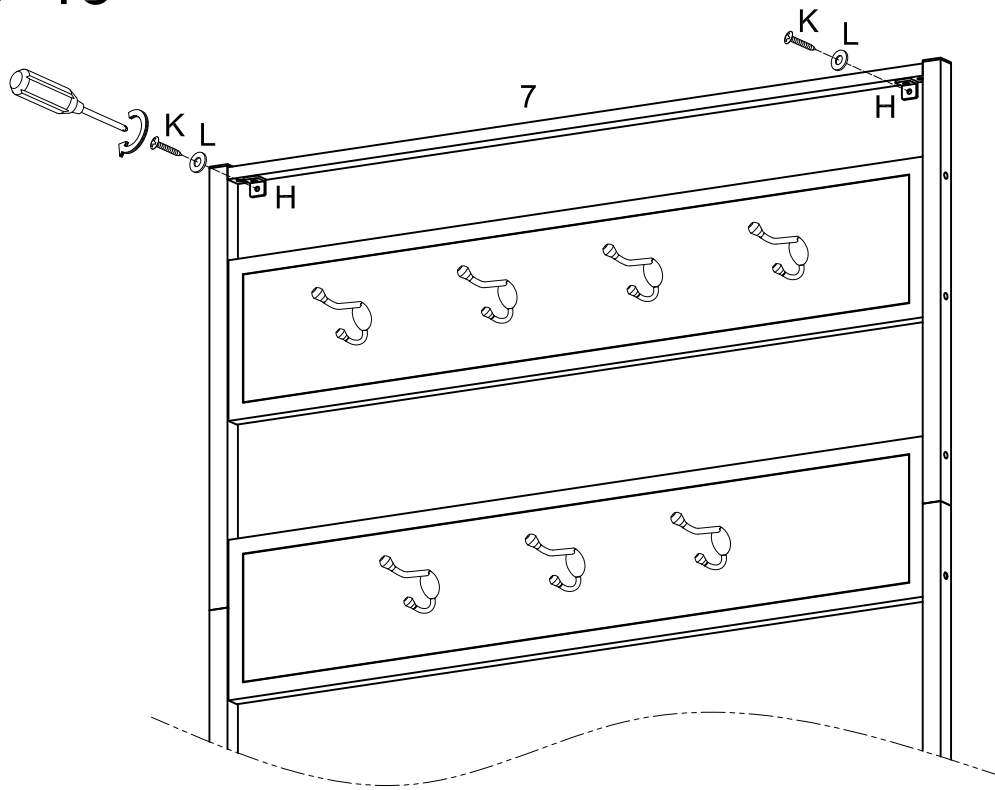
Use screw (N) to secure the hook to the wooden panel (8,9).

Step 12



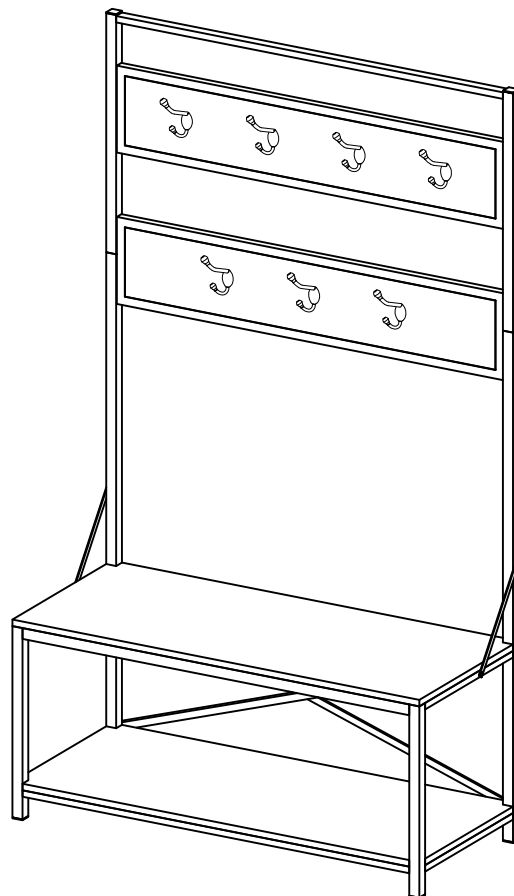
(Optional) Insert wall plugs (J) into your wall at the indicated measurements if desired.

Step 13



(Optional) Secure unit to the wall using screws (K) and washers (L) at the installation points of wall plugs (J) from previous step.

Step 14



Final Assembly