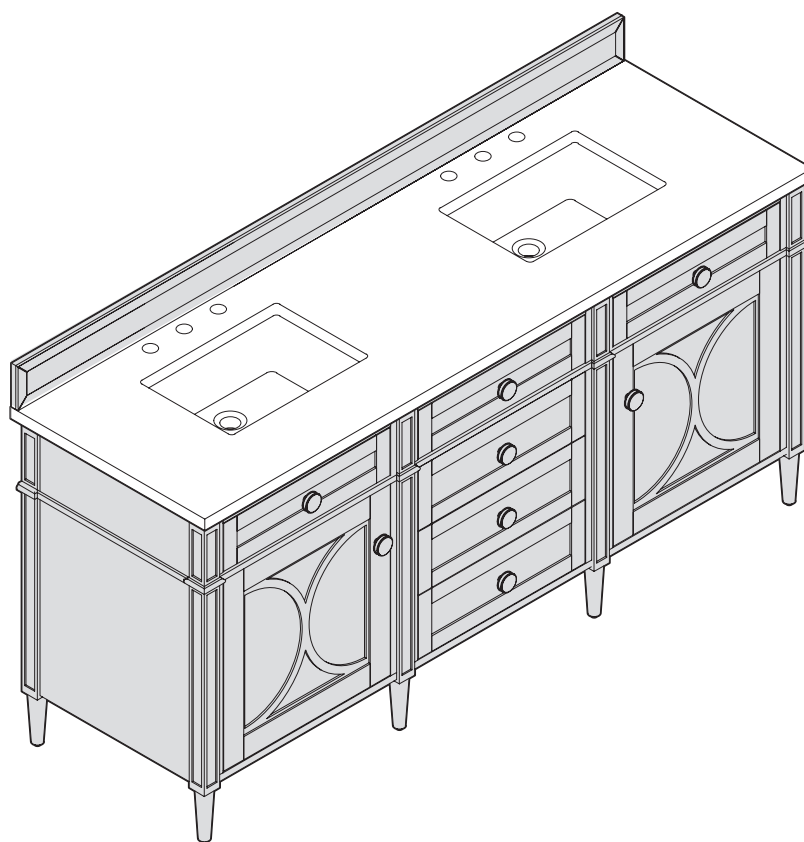


USE AND CARE GUIDE

DARROWOOD VANITY



Questions, problems, missing parts? Before returning to the store,
call Home Decorators Collection Customer Service
8 a.m. - 7 p.m., EST, Monday - Friday, 9 a.m.- 6 p.m., EST, Saturday

1-800-986-3460

HOMEDEPOT.COM/HOMEDECORATORS

THANK YOU


We appreciate the trust and confidence you have placed in Home Decorators Collection through the purchase of this vanity. We strive to continually create quality products designed to enhance your home. Visit us online to see our full line of products available for your home improvement needs. Thank you for choosing Home Decorators Collection!

Table of Contents


Safety Information	2	Planning for the Integrated Electrical Outlet	5
Warranty	3	Integrated Electrical Outlet	5
Pre-Installation	4	Wall Outlet	5
Planning Installation	4	Electrical Outlet Specifications	5
Tools Required	4	Installation	6
Package Contents	4	Care and Cleaning	10


Safety Information

Please read and understand all instructions before assembly and use.

 **WARNING**


- Unit must be placed on a level surface or leveled with included hardware (when applicable).
- Do not sit or stand on or allow children to climb, sit, or stand on the assembled product.
- Unit can tip over causing severe injury or death.
- Do not exceed the recommended weight limits.
- Before cutting, drilling, or hammering into any wall or floor surface, verify the location of electrical, plumbing, and gas lines. Cutting may cause serious injury.

 **CAUTION:** For your safety and to achieve the best possible installation of this cabinet, Home Decorators Collection always recommends you consult with a professional contractor.

 **IMPORTANT:** Two or more people are required for the assembly and installation of this vanity.

 **IMPORTANT:** Please review all pages prior to attaching the vanity to the wall.

CALIFORNIA RESIDENTS

 **WARNING:** This product can expose you to styrene/wood dust which is known to the state of California to cause cancer. Go to www.p65warnings.ca.gov/products.

MINNESOTA RESIDENTS

IMPORTANT HEALTH NOTICE

SOME OF THE BUILDING MATERIALS USED IN THIS HOME (OR THESE BUILDING MATERIALS) EMIT FORMALDEHYDE. EYE, NOSE, AND THROAT IRRITATION, HEADACHE, NAUSEA AND A VARIETY OF ASTHMA-LIKE SYMPTOMS, INCLUDING SHORTNESS OF BREATH, HAVE BEEN REPORTED AS A RESULT OF FORMALDEHYDE EXPOSURE. ELDERLY PERSONS AND YOUNG CHILDREN, AS WELL AS ANYONE WITH A HISTORY OF ASTHMA, ALLERGIES, OR LUNG PROBLEMS, MAY BE AT GREATER RISK. RESEARCH IS CONTINUING ON THE POSSIBLE LONG-TERM EFFECTS OF EXPOSURE TO FORMALDEHYDE.

REDUCED VENTILATION MAY ALLOW FORMALDEHYDE AND OTHER CONTAMINANTS TO ACCUMULATE IN THE INDOOR AIR. HIGH INDOOR TEMPERATURES AND HUMIDITY RAISE FORMALDEHYDE LEVELS. WHEN A HOME IS TO BE LOCATED IN AREAS SUBJECT TO EXTREME SUMMER TEMPERATURES, AN AIR-CONDITIONING SYSTEM CAN BE USED TO CONTROL INDOOR TEMPERATURE LEVELS. OTHER MEANS OF CONTROLLED MECHANICAL VENTILATION CAN BE USED TO REDUCE LEVELS OF FORMALDEHYDE AND OTHER INDOOR AIR CONTAMINANTS.

IF YOU HAVE ANY QUESTIONS REGARDING THE HEALTH EFFECTS OF FORMALDEHYDE, CONSULT YOUR DOCTOR OR LOCAL HEALTH DEPARTMENT.

Warranty

WHAT IS COVERED

Home Decorators Collection products are manufactured with superior quality standards and workmanship and are backed by our limited lifetime warranty. Home Decorators Collection products are warranted to the original consumer purchaser to be free of defects in materials or workmanship. We will replace FREE OF CHARGE any product or parts that proves defective. Simply, return the product/part to any of The Home Depot retail locations or call 1-800-986-3460 to receive the replacement item. Proof of purchase (original sales receipt) from the original consumer purchaser must be made available for all Home Decorators Collection warranty claims.

WHAT IS NOT COVERED

This warranty excludes incidental/consequential damages and failures due to misuse, abuse or normal wear and tear. This warranty excludes all industrial, commercial and business usage, whose purchasers are hereby extended a one (1) year limited warranty from the date of purchase, with all other terms of this warranty applying except the duration of warranty. Some states and provinces do not allow the exclusion or limitation of incidental or consequential damages, so the above limitations may not apply to you. This warranty gives you specific legal rights and you may also have other rights that vary from state to state and province to province.

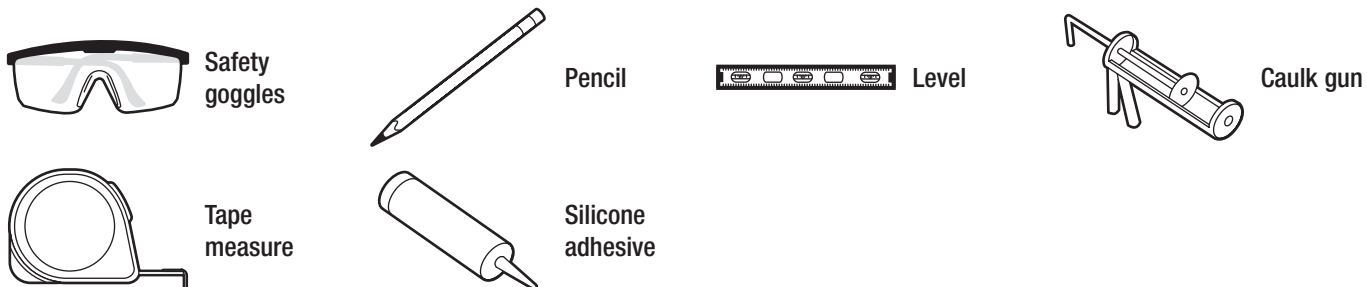
Contact the Customer Service Team at 1-800-986-3460 or visit www.HOMEDEPOT.com/HOMEDECORATORS.

Pre-Installation

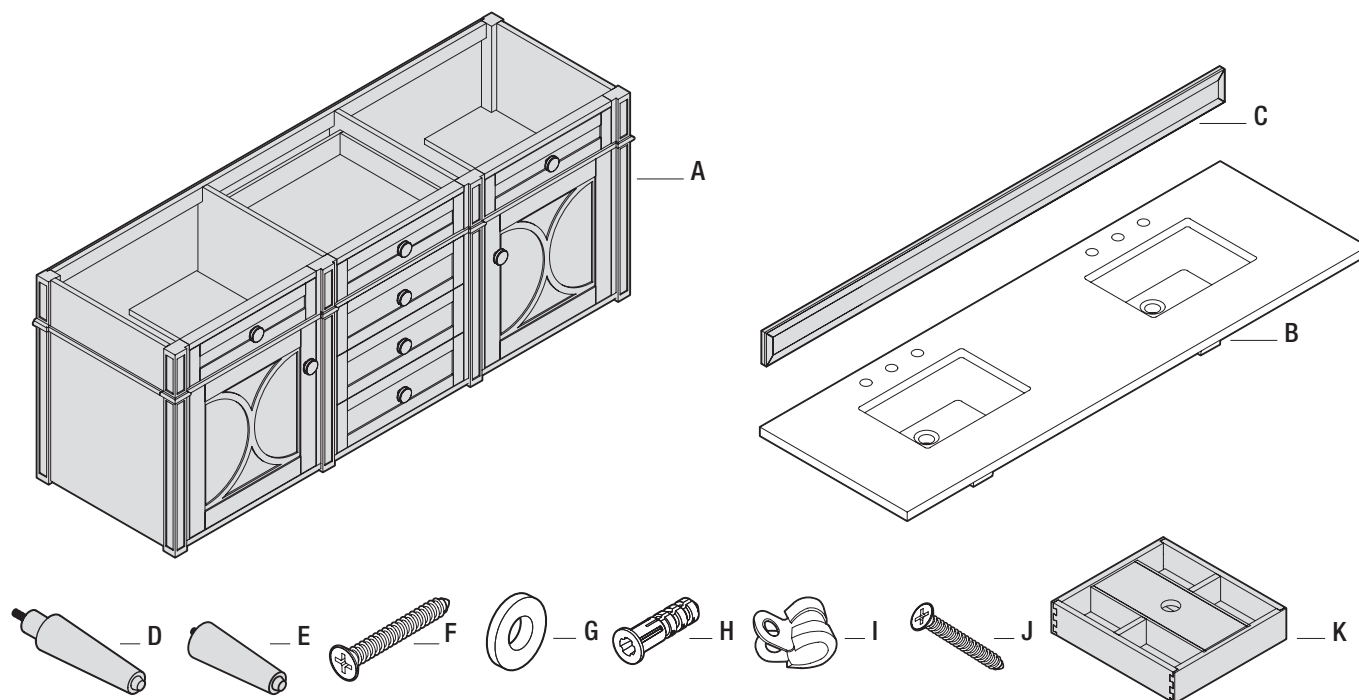
PLANNING INSTALLATION

Open contents and place on a smooth, soft surface.

TOOLS REQUIRED



PACKAGE CONTENTS

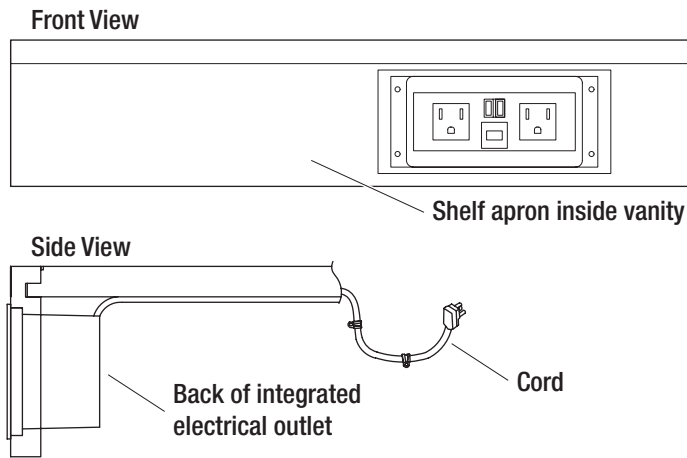


Part	Description	Quantity
A	Vanity cabinet	1
B	Quartz top with sink	1
C	Backsplash	1
D	Round feet (1)	6
E	Round feet (2)	2

Part	Description	Quantity
F	Screws	4
G	Washers	4
H	Drywall anchors	4
I	Electrical cord clamp	4
J	Clamp screws	4
K	Removable organizer	1

Planning for the Integrated Electrical Outlet

INTEGRATED ELECTRICAL OUTLET




ELECTRICAL OUTLET SPECIFICATIONS



Specifications: 125 V, 15 A, 60 Hz

Required Electrical Service: One dedicated circuit required, protected with a Class A ground-fault circuit interrupter (GFCI) or residual current device (RCD).

 **NOTE:** This equipment has been tested and found to comply with the limit for a Class B digital device, pursuant to part 15 of the FCC Rules. These limits are designed to provide reasonable protection against harmful interference in a residential installation. This equipment generates, uses, and can radiate radio frequency energy and if not installed and used in accordance with the instructions, may cause harmful interference to radio communication. However, there is no guarantee that interference will not occur in a particular installation. If this equipment does cause harmful interference to radio or television reception, which can be determined by turning the equipment off and on, the user is encouraged to try to correct the interference by one or more of the following:

- Reorient or relocate the receiving antenna
- Increase the separation between the equipment and receiver.
- Connect the equipment into an outlet on a circuit different from that to which the receiver is connected.
- Consult the dealer or experienced radio/TV technician for help.

This device complies with Part 15 of the FCC Rules. Operation is subject to the following two conditions:

- 1) This device may not cause harmful interference.
- 2) This device must accept any interference received, including interference that may cause undesired operation.

Modifications not approved by the party responsible for compliance could void the user's authority to operate the equipment.

WALL OUTLET

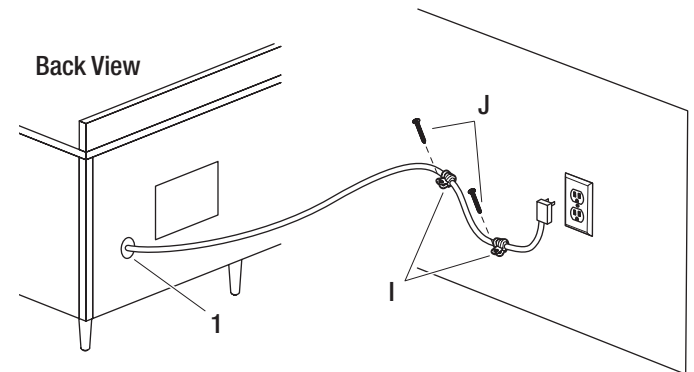


NOTE: Prior to installing the vanity, ensure location of wall outlet is in line with the plug from the integrated electrical box once fed through the back panel in the provided opening (1).



CAUTION: For your safety and to achieve the best possible installation of this cabinet, we recommend you consult with a professional contractor for electrical outlet placements and specifications.

- Use a pencil to mark the desired location for the two cord clamps (I).
- Place cord clamps (I) around cord.
- Attach the cord clamps (I) to the wall using screws (J).



NOTE: Cord length for the integrated electrical device is 9 ft. 6 in. (366 cm).

Installation

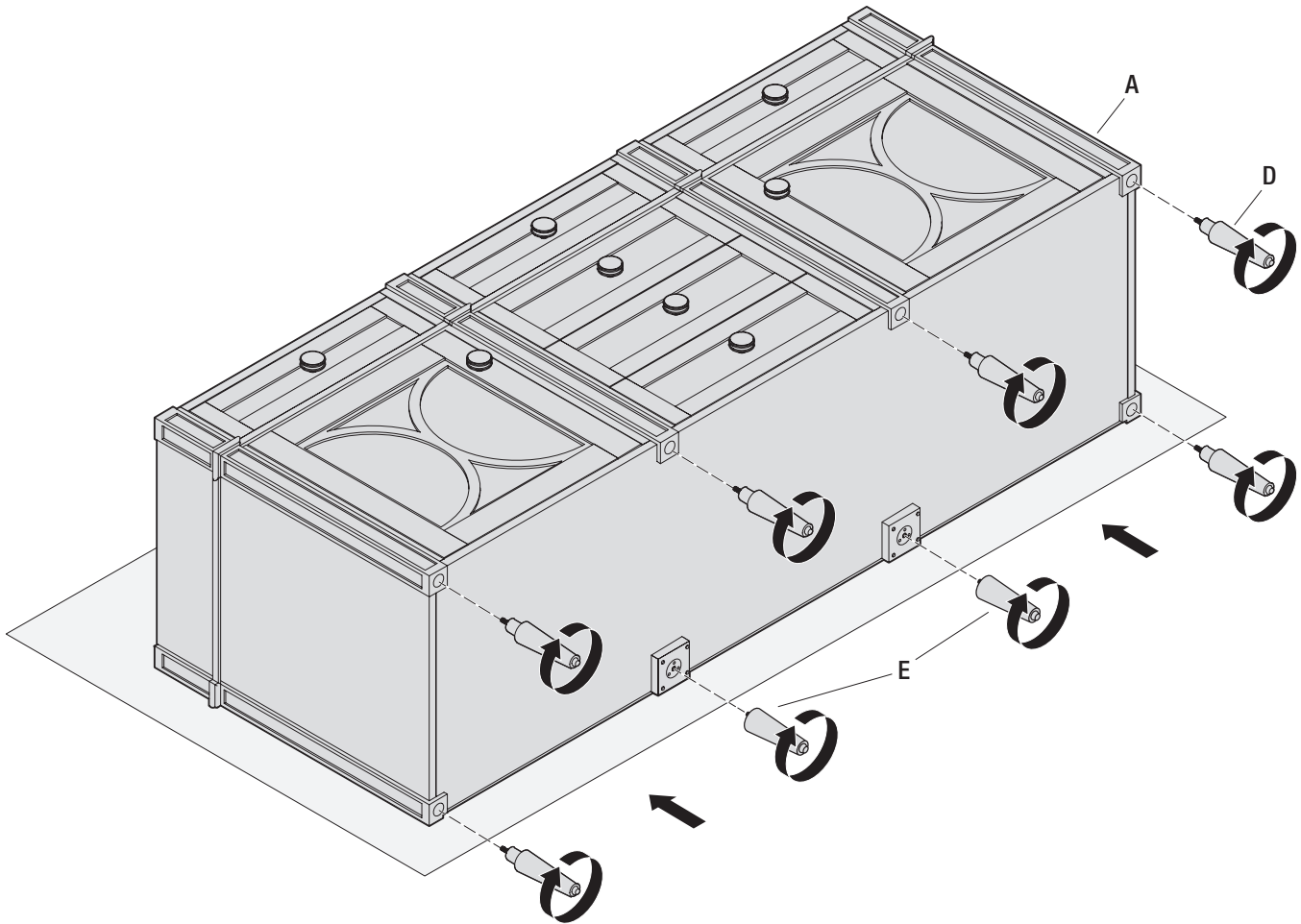
1 Attaching the round feet to the vanity

- Place a blanket or other soft material on the floor and then place the vanity cabinet (A) on it.
- Attach the round feet (D and E) to the vanity cabinet (A).



IMPORTANT: Do not overtighten feet (D and E).

- With 2 adults, carefully lift the vanity cabinet (A) and turn the vanity upright. Do not put pressure on feet while turning upright.



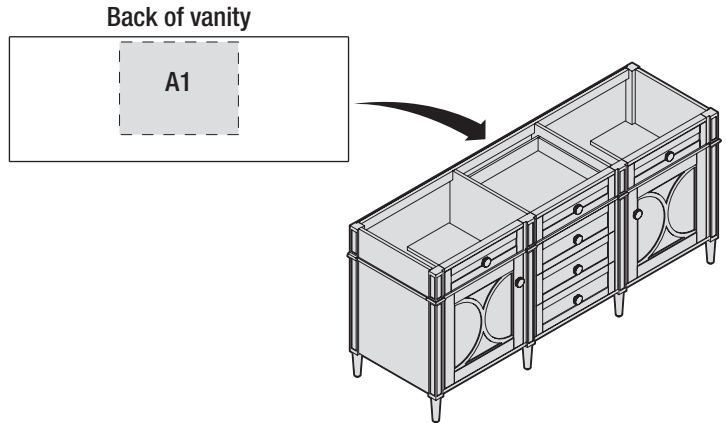
Installation (continued)

2 Determining wall placement

- Move the vanity cabinet (A) to desired location. Verify location of plumbing relative to existing allowances in the vanity cabinet. An available plumbing cutout can be found on the back of the vanity cabinet (A).
 - A1 — Allowance for drain and water supply



CAUTION: For your safety and to achieve the best possible installation of this cabinet, Home Decorators Collection always recommends you consult with a professional contractor.



3 Securing the vanity to the wall

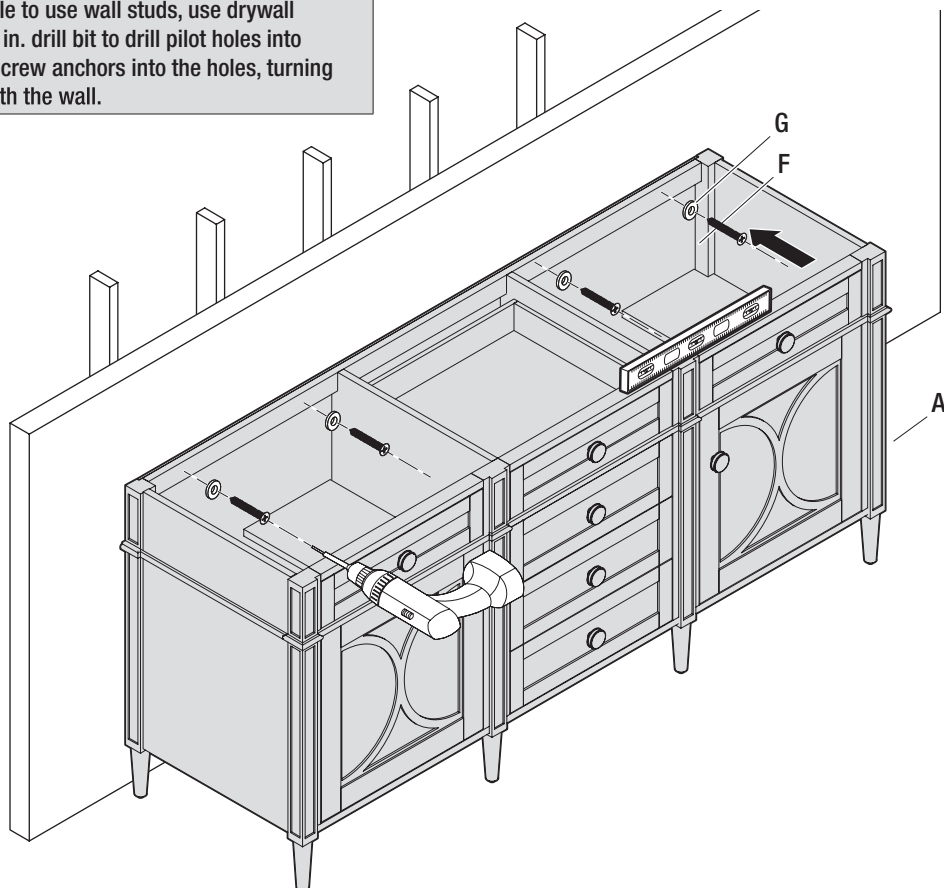


WARNING: Before cutting, drilling, or hammering into any wall surface, verify the location of electrical, plumbing, and gas lines. Cutting any of these may cause serious injury.

- Place vanity cabinet (A) in desired location against wall.
- Secure vanity cabinet (A) to the wall along the back rail in 4 evenly spaced locations using screws (F) and washers (G)

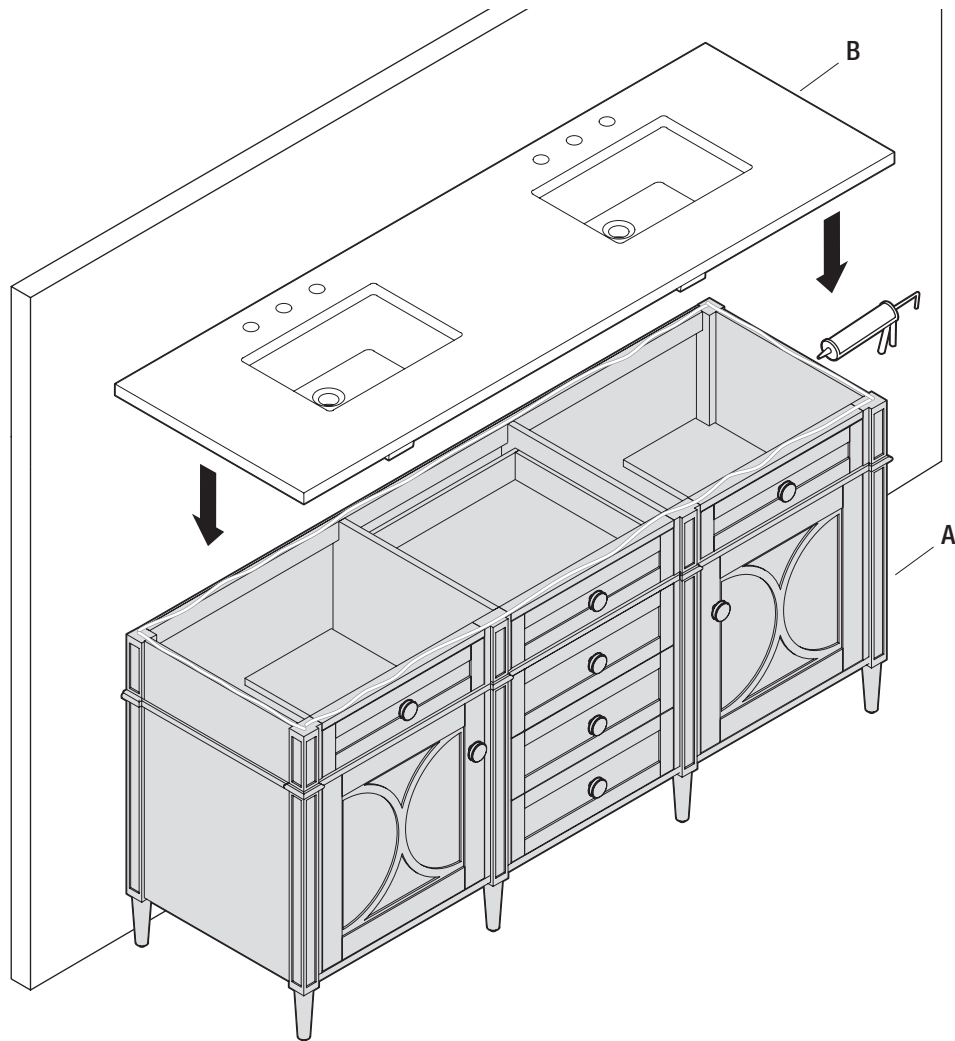


NOTE: If you are unable to use wall studs, use drywall anchors (G). Use a 3/16 in. drill bit to drill pilot holes into the marked locations. Screw anchors into the holes, turning clockwise until flush with the wall.



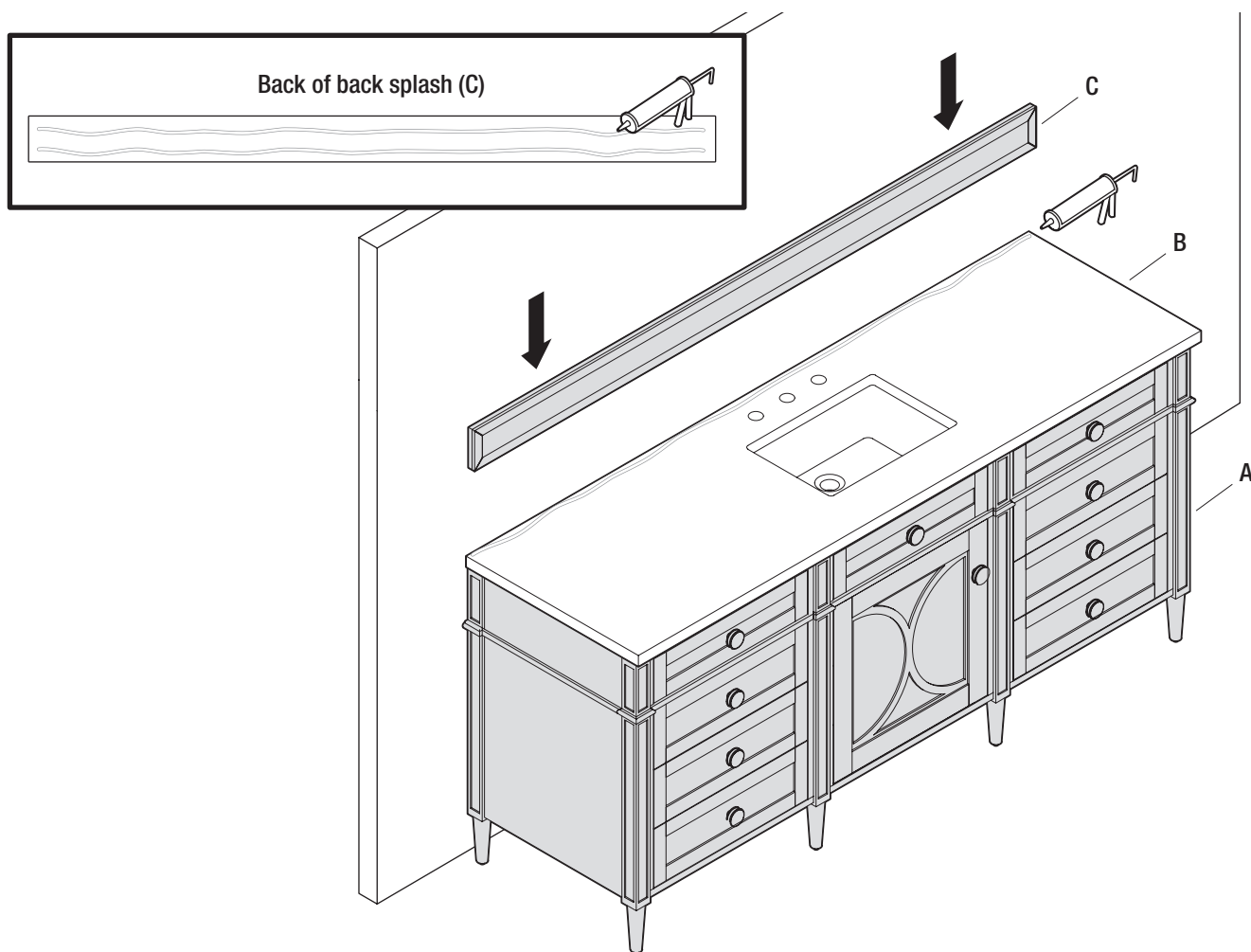
4 Installing the top with sink

- Carefully place the vanity cabinet (A) against the wall in the desired location.
- Align and secure the top with sink (B) to the vanity cabinet (A) using a high-quality adhesive and caulk gun.
- Allow adhesive to dry in accordance with manufacturer's instruction before installing plumbing and using the vanity cabinet (A).



5 Installing the back splash

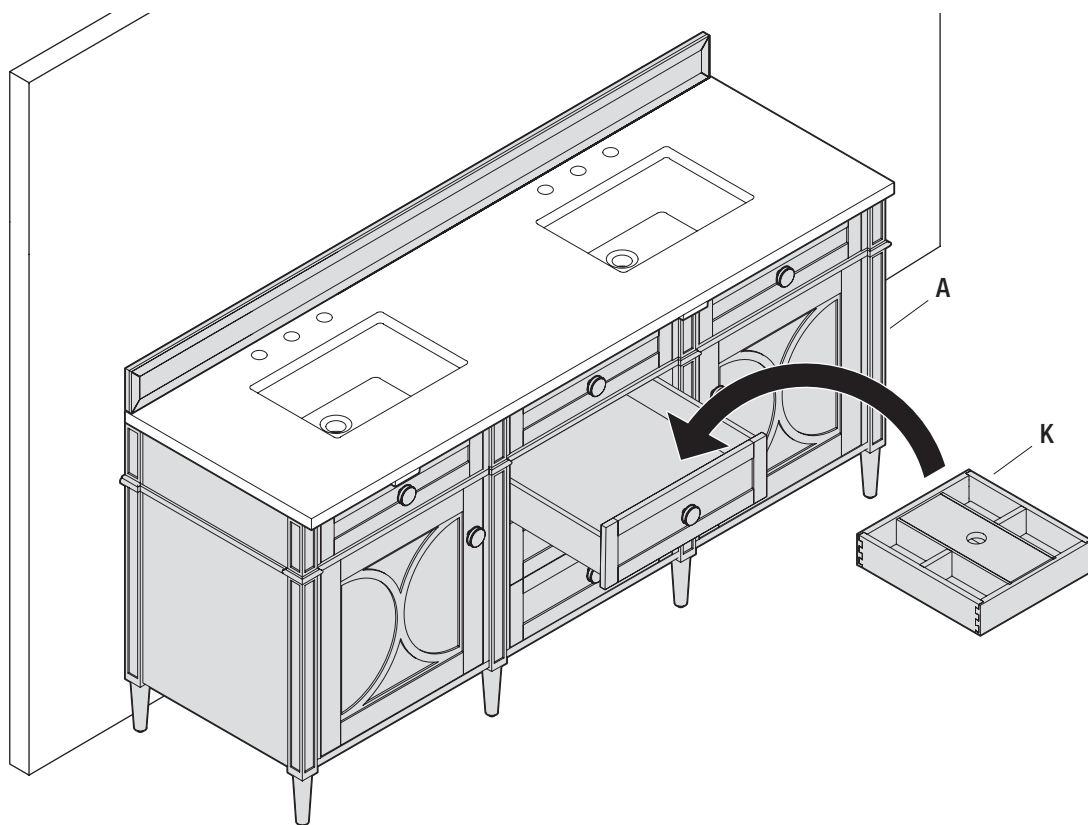
- Align and secure the back splash (C) to the top with sink (B) using a high-quality adhesive and caulk gun.
- Allow adhesive to dry in accordance with manufacturer's instruction before installing plumbing and using the vanity cabinet (A).



Installation (continued)

6 Placing the removable storage tray

- Open any of the center drawers of the vanity cabinet (A) and place the removable storage tray (I) inside.



Care and Cleaning

For best results in cleaning and polishing your bath furniture, we recommend the following:

- Dust frequently with a clean, soft, dry, lint-free cloth.
- Clean the outside surface with mild soap, warm water, and a soft cloth.
- Use non-abrasive cleaners or cleaning agents that do not contain solvents. Using abrasive cleaners will damage the surface.

HOME
DECORATORS
COLLECTION®

Questions, problems, missing parts? Before returning to the store,
call Home Decorators Collection Customer Service
8 a.m. - 7 p.m., EST, Monday - Friday, 9 a.m.- 6 p.m., EST, Saturday

1-800-986-3460

HOMEDEPOT.COM/HOMEDECORATORS

Retain this manual for future use.