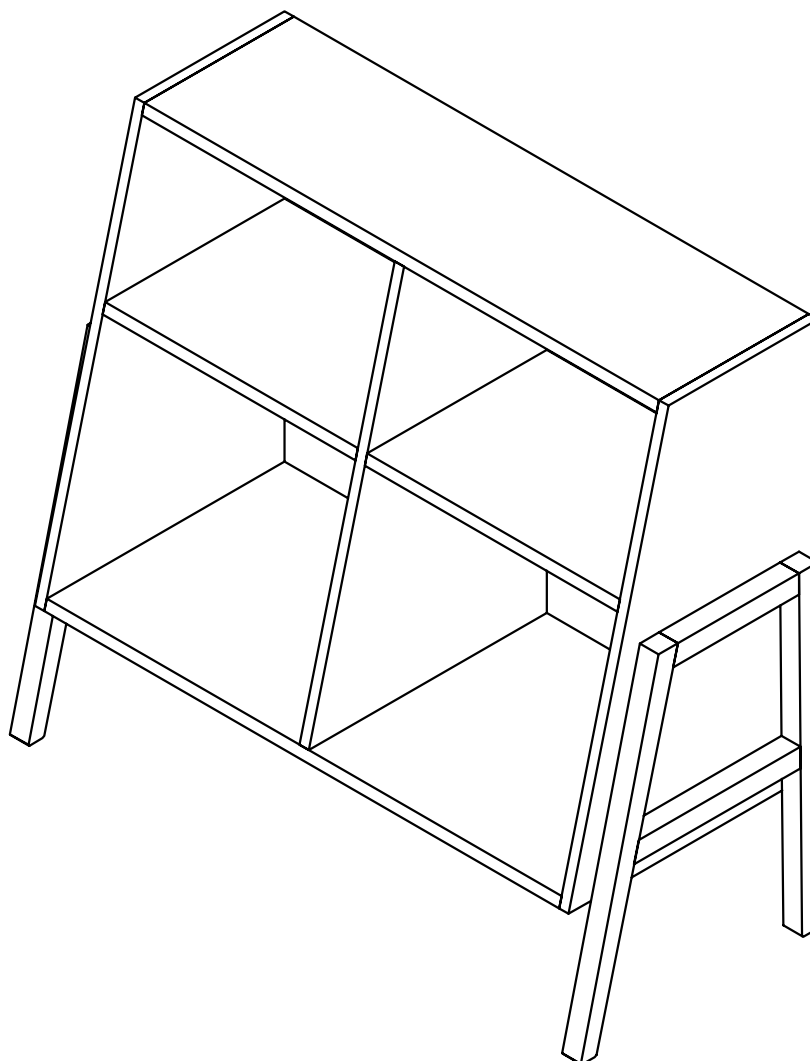


Let's build the

Telos Storage Unit



Scan me!

Inspiration
Digital Instructions
Free Lifetime Warranty

nathan james

Ok, let's get rolling

This should be easy, just follow our instructions and you will be back to Netflix in no time.

Estimated time for assembly



50:00

What you need

- Some of your favourite bubbly or your preferred relaxant
- Use the packaging carton as a working surface to prevent product damage during assembly
- Phillips head screwdriver

Weight Limitation



79

lbs for top and cubby

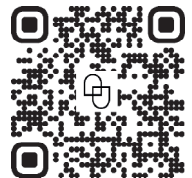
Toll-free at 1-866-619-1004
Help@nathanjames.com
Nathanjames.com/help

What's included

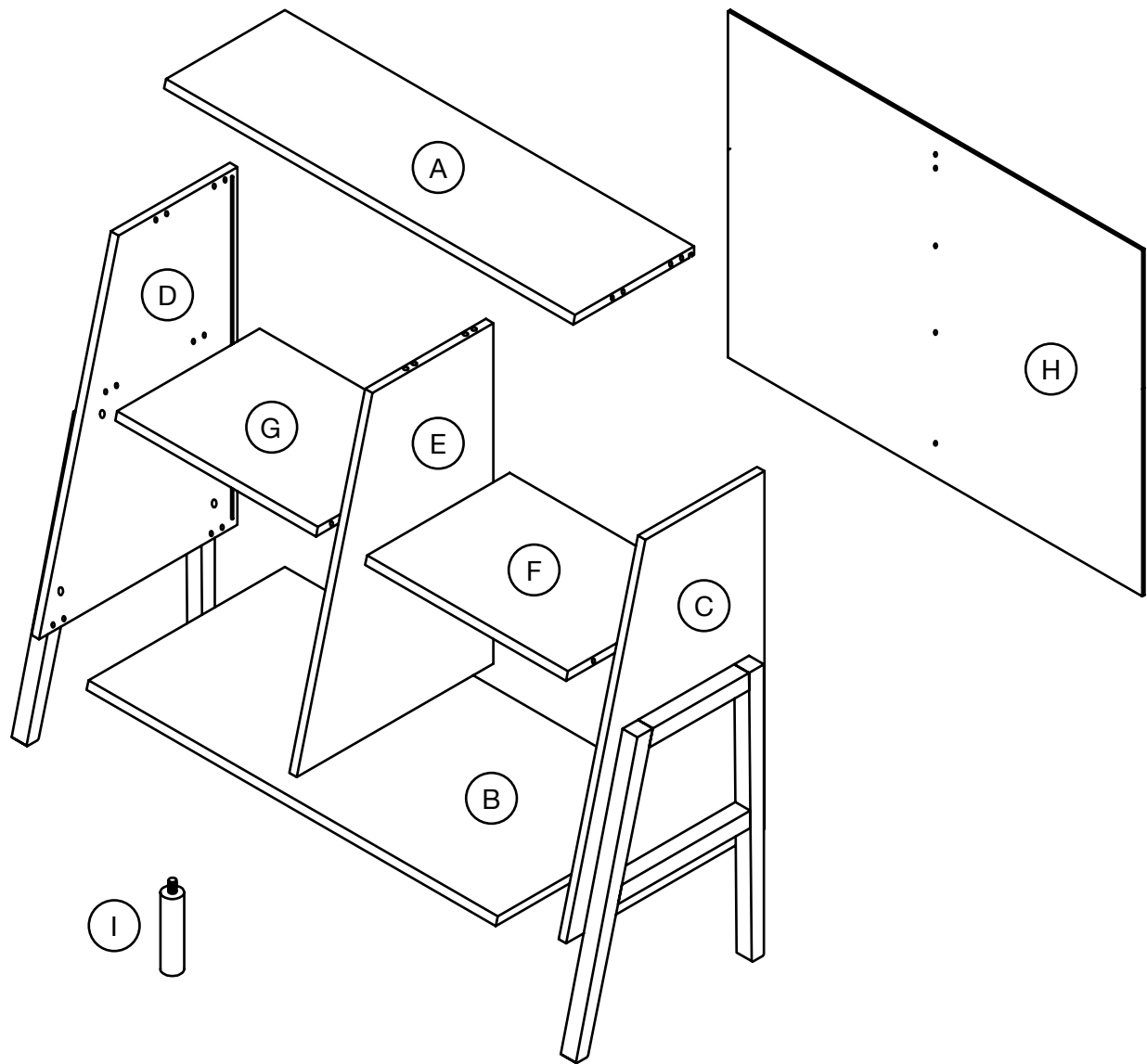
Description	Qty
A Top Panel	1
B Bottom Panel	1
C Right Side Panel	1
D Left Side Panel	1
E Middle Partition Panel	1
F Right Shelf Panel	1
G Left Shelf Panel	1
H Back Panel	1
I Center Leg	1

Scan me!

Inspiration
Digital Instructions
Free Lifetime Warranty



The goods



IMPORTANT

1. Do not tighten bolts / screws completely until all bolts / screws are lined up and inserted into holes.
2. Do not over tighten screws and bolts to avoid stripping.
3. Please use hand tools to assemble this product. Do not use power tools.



What's included

	Description	Qty
1	8*30mm Wooden Dowel	20
2	3.5x15mm Wood Screws	3
3	Cam Lock Bolt	20
4	Allen Key	1
5	Cam Lock	20
6	Plastic Connector	2
7	Anchor	2
8	M4*38mm Screw	2
9	M3.5 x 15mm Screw	2
10	Plastic Anti-tip Tether	1
11	Plastic Cover	6



The goods

1



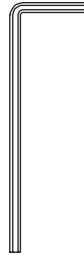
2



3



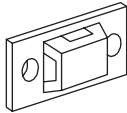
4



5



6



7



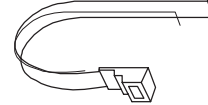
8



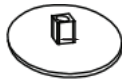
9



10



11



IMPORTANT

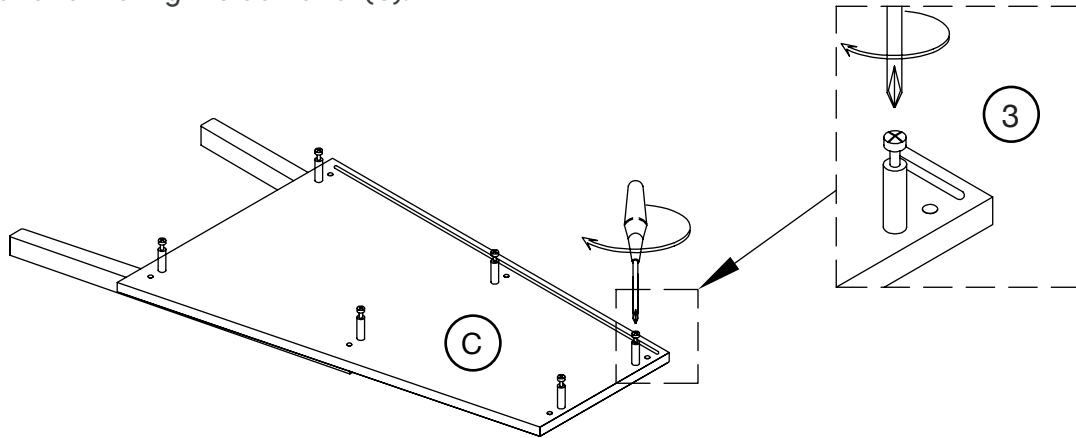
1. Do not tighten bolts / screws completely until all bolts / screws are lined up and inserted into holes.
2. Do not over tighten screws and bolts to avoid stripping.
3. Please use hand tools to assemble this product. Do not use power tools.



Step 1

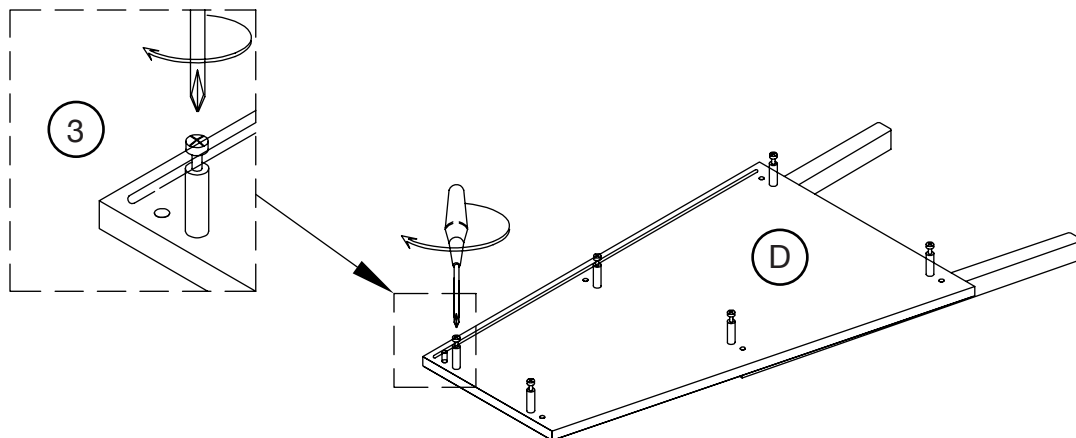
Let's get this thing fired up! Lay down packaging carton or use carpet as a working surface.

Start by screwing on the Cam Lock Bolts (3) and to the Right Side Panel (C).



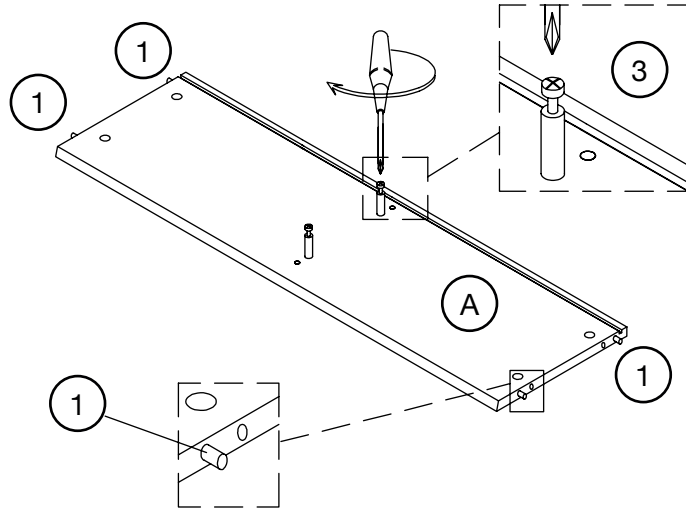
Step 2

Screw on the Cam Lock Bolts (3) to the Left Side Panel (D). You're getting the hang of this!



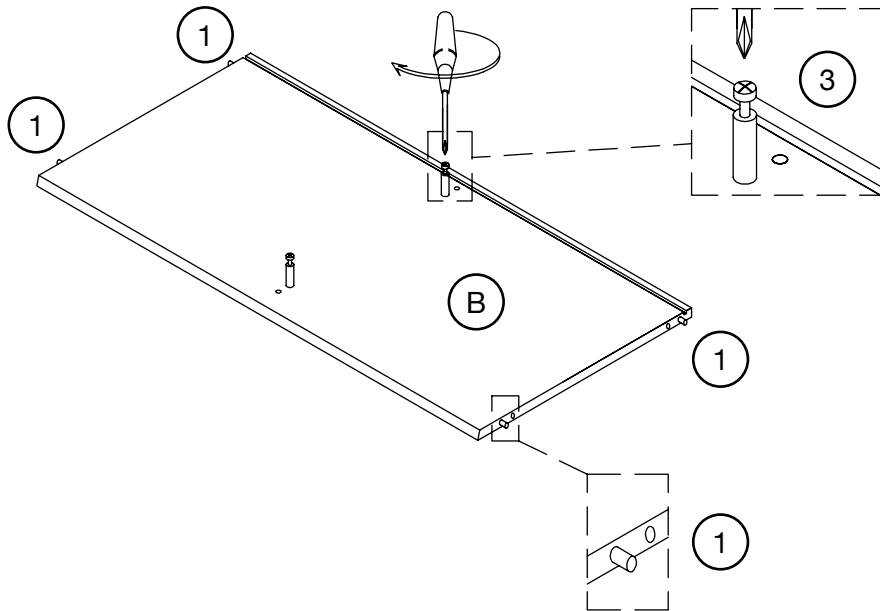
Step 3

Screw on the Cam Lock Bolts (3) and Wooden Dowels (1) to the Top Panel (A).



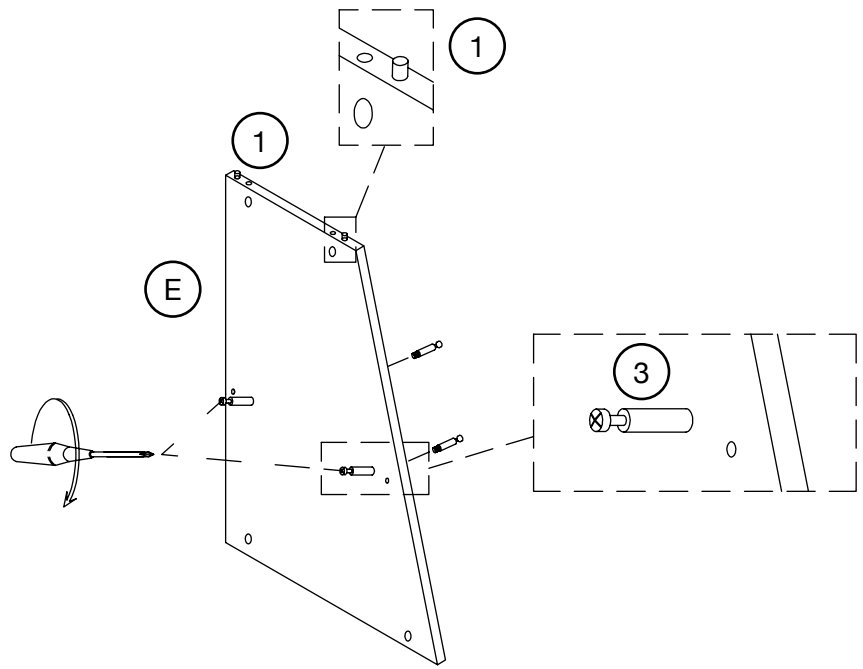
Step 4

No, this isn't Deja-Vu. Repeat with the bottom panel (B)!



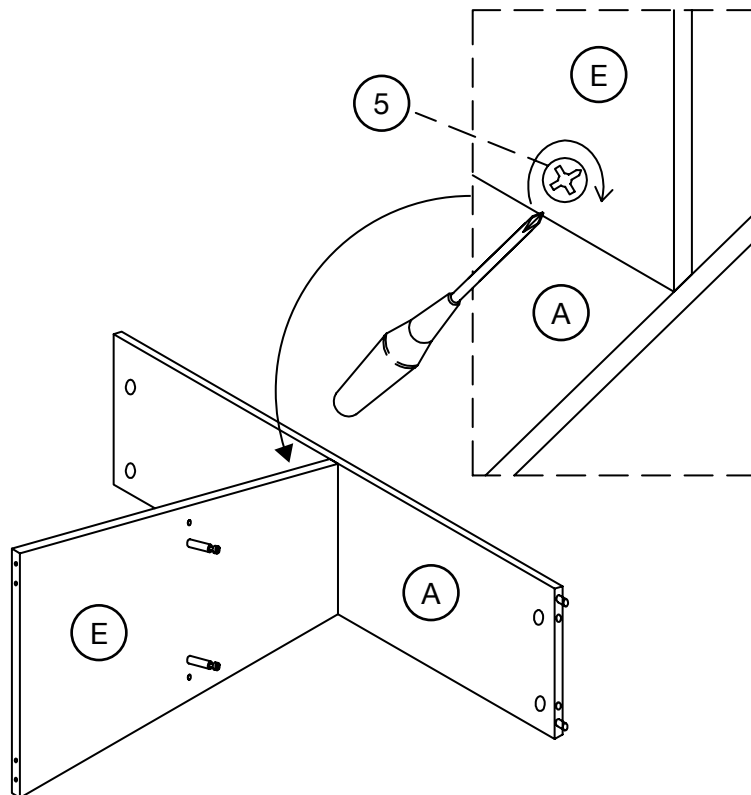
Step 5

Aaaand, one more time.
Screw on the Cam Lock Bolts (3) and Wooden Dowels (1) to the Middle Partition Panel (E).



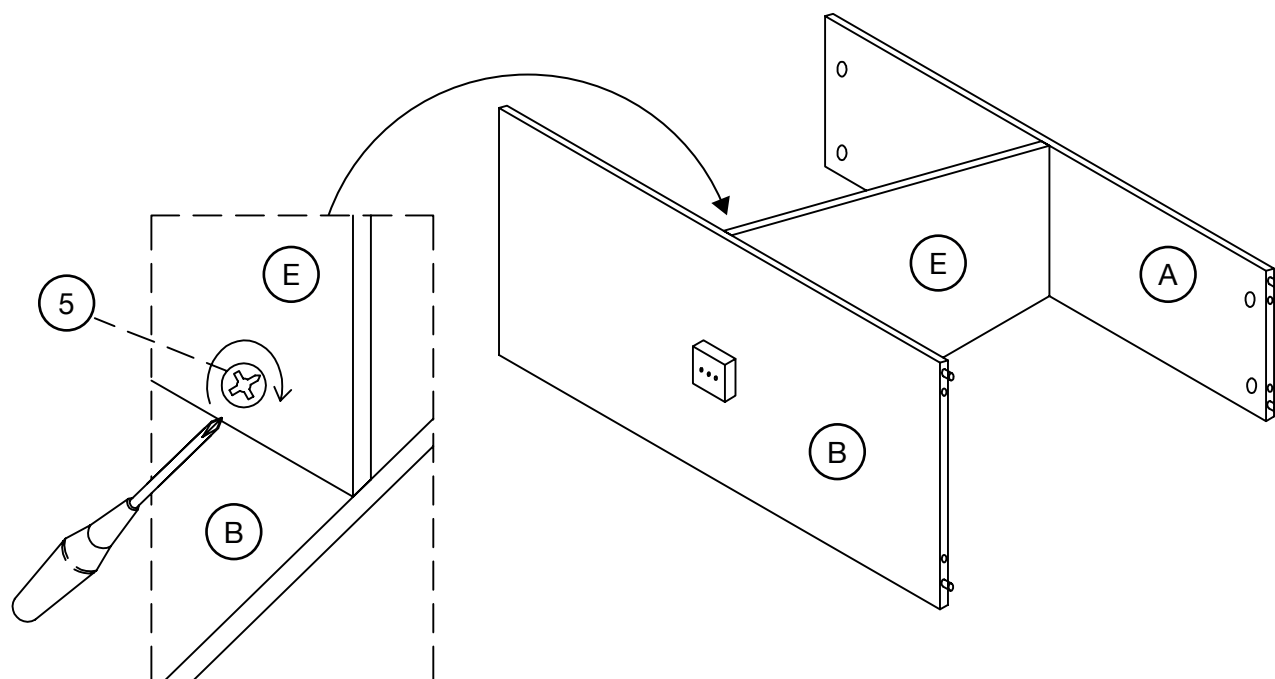
Step 6

You're halfway there!
After the Top Panel (A) to the Middle Partition Panel (E) with the Cam Locks (5).



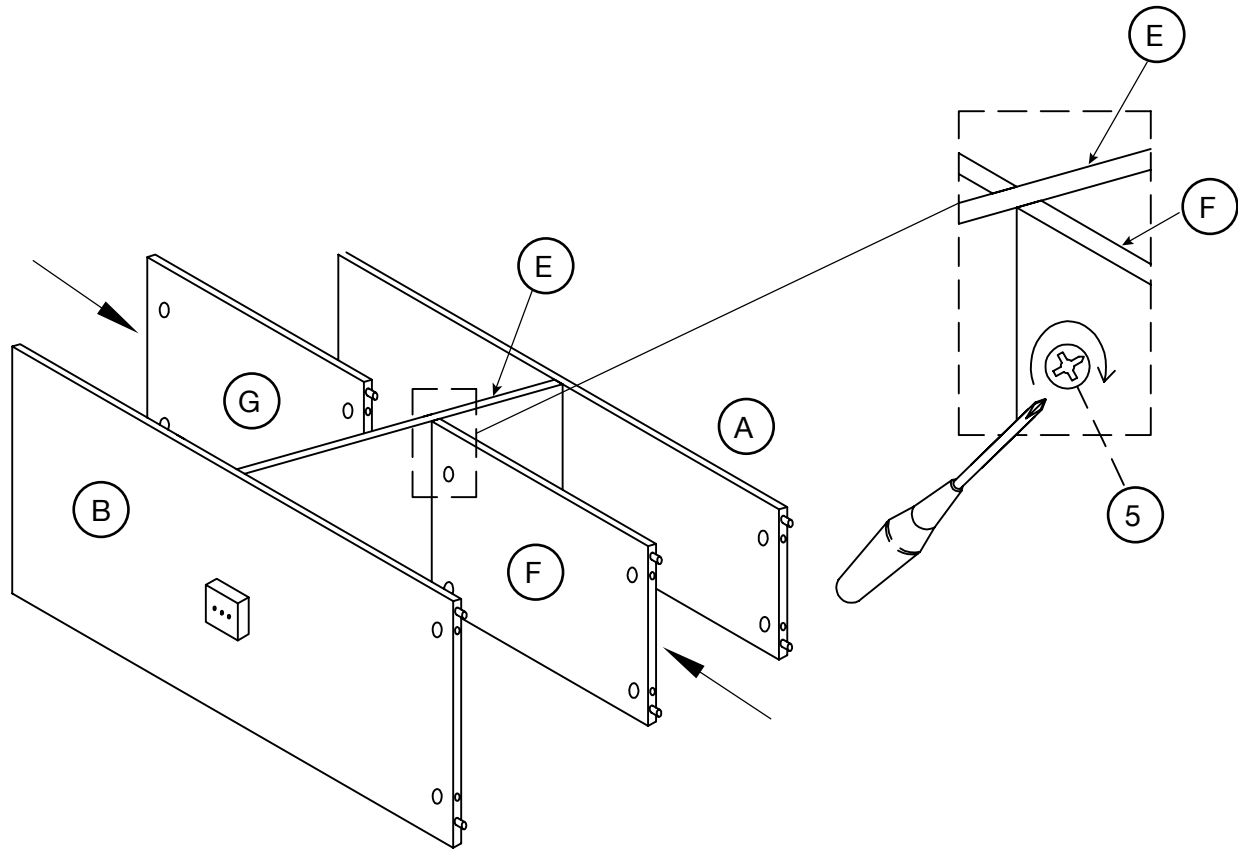
Step 7

Attach the Bottom Panel (B) to the Middle Partition Panel (E) with the Cam Locks (5).



Step 8

Attach the Left Shelf (G) and Right Shelf (F) to the Middle Partition Panel (E) with the Cam Locks (5).



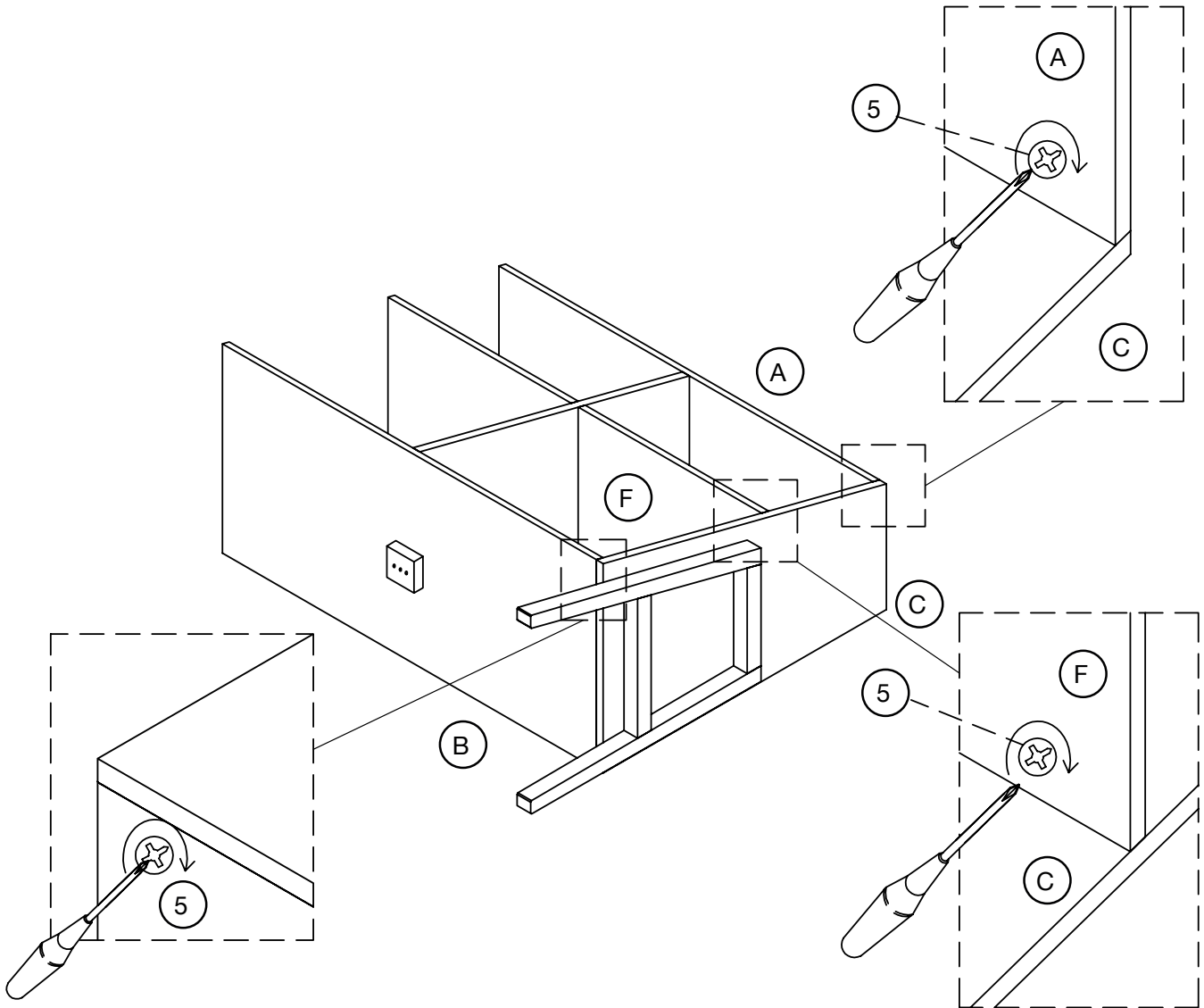
Time for some yoga?

Breathe in. Breathe out. Stretch. Okay, let's keep going!



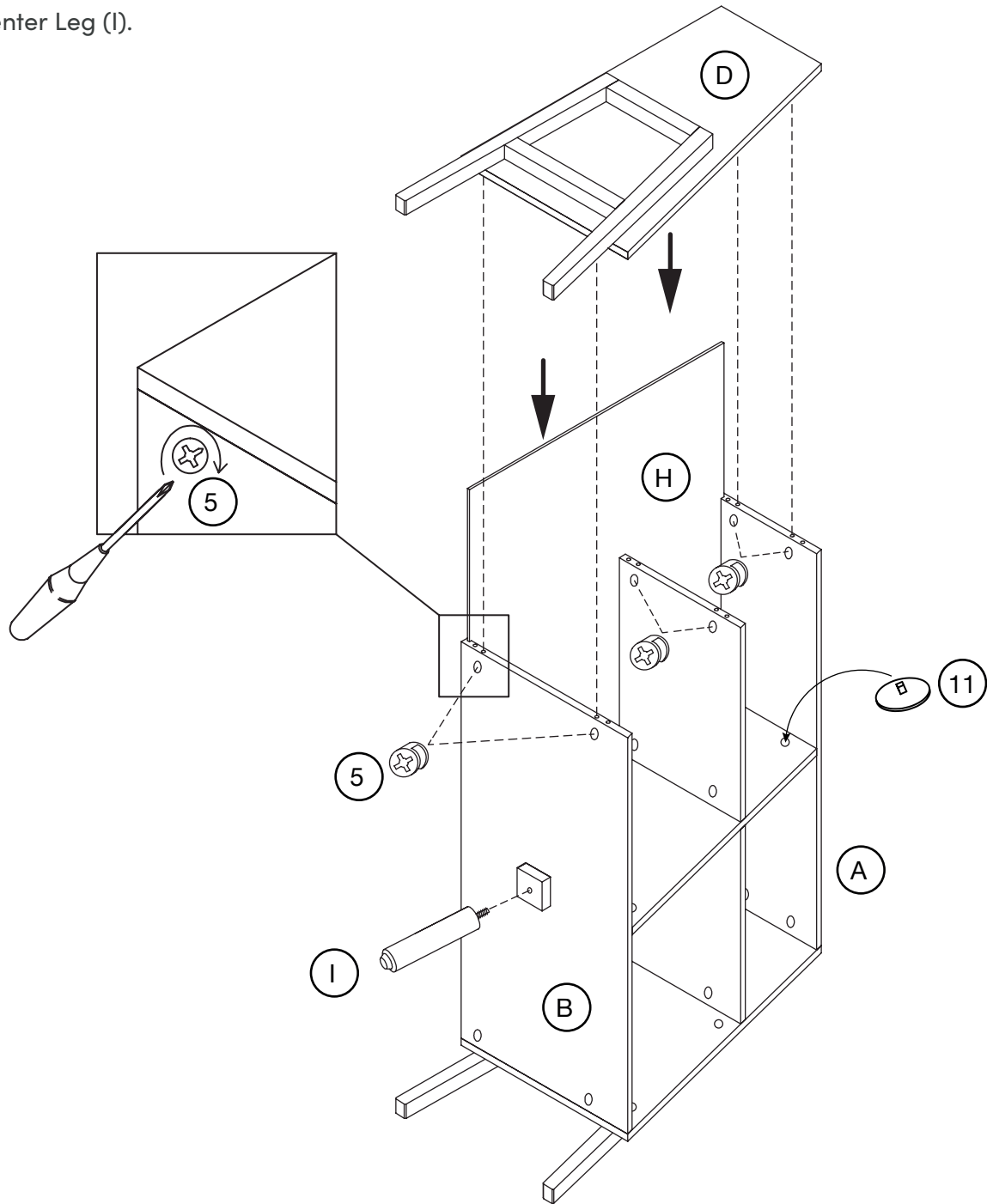
Step 9

Attach the Right Side Panel (C) to the Right Shelf (F), Top Panel (A) and Bottom Panel (B) with the Cam Locks (5).



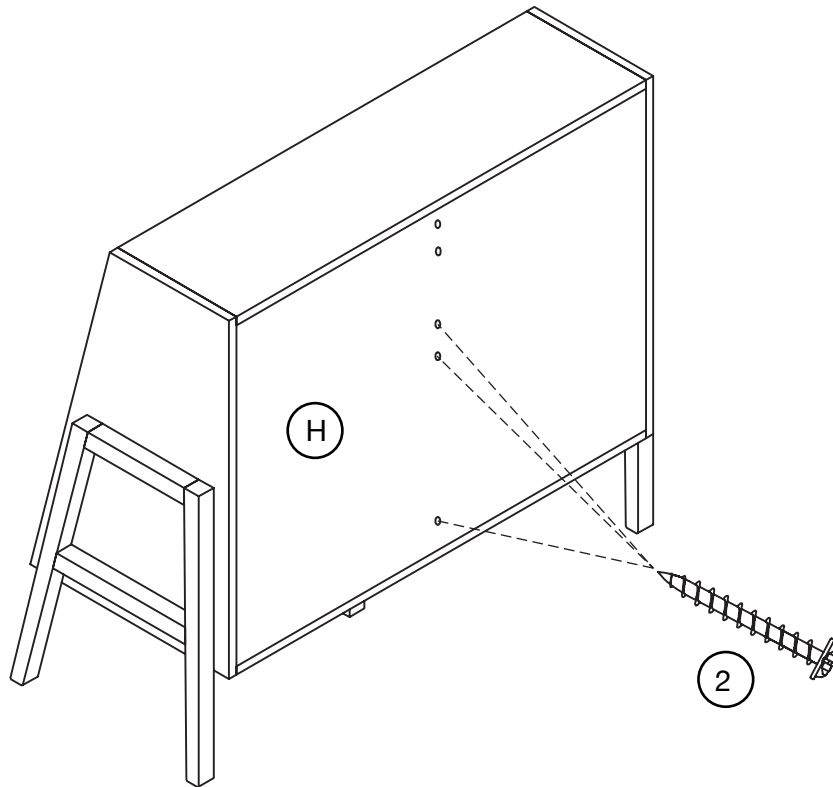
Step 10

Slide in the Back Panel (H) and then securely attach the Left Side Panel (D). Twist on the Center Leg (I).



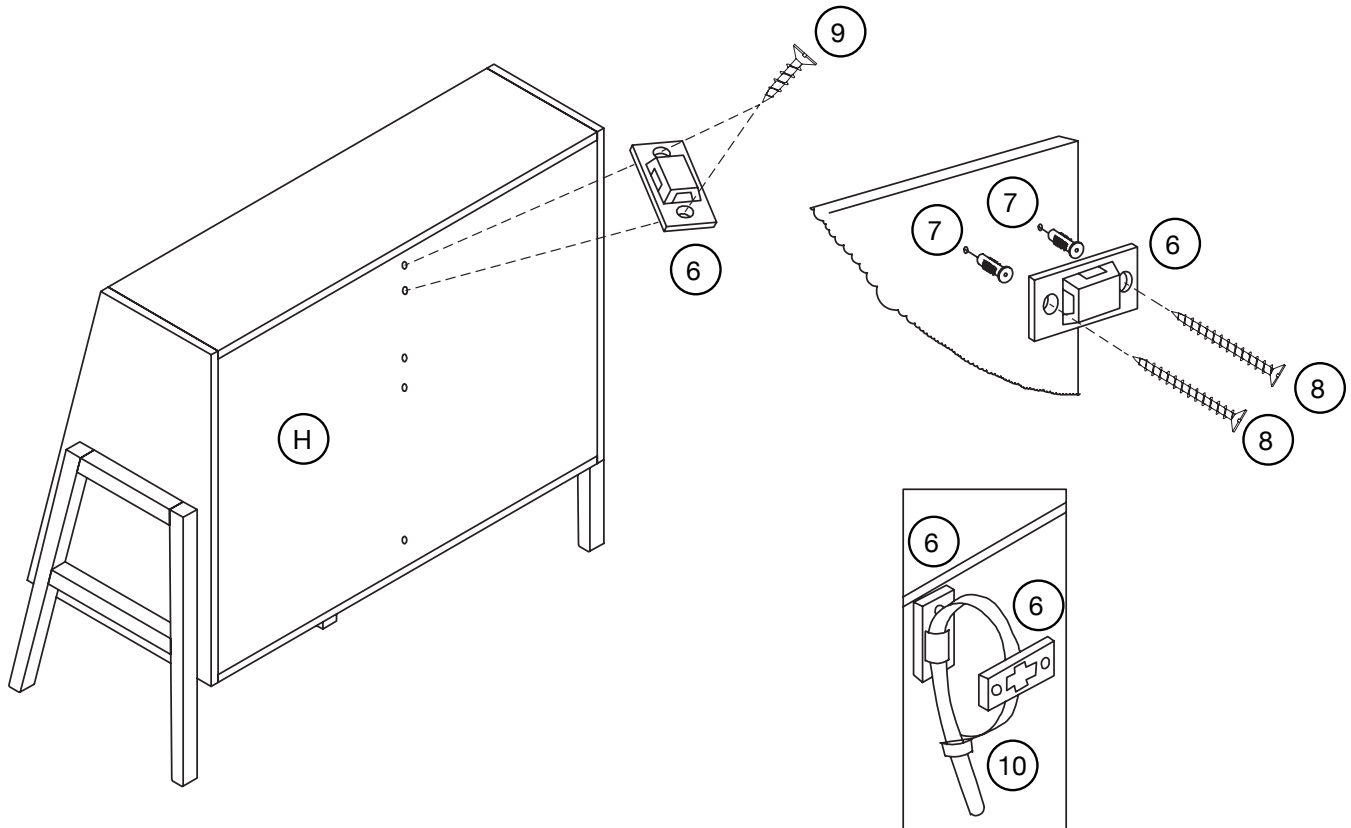
Step 11

Tighten the Back Panel (H)
with the Wood Screws (2).



Step 12

Safety first! Attach the Plastic Connector (6) to the Back Panel (H) and securely attach the unit to the wall using the Plastic Strap (10).



Tether to the wall.

Ta-da! Your Telos storage unit is officially done!



No heartburn, when we handle the return

Give us a call **1-866-619-1004** or shoot us a message at **help@nathanjames.com** we will issue you a free replacement with **zero hassle**.

Our way



Give us a call



Replacement



You

Their way



Re-package item



Schedule pick up



Track package



Replacement



You

We really don't want you to go through the hassle of re-packaging your item and sending it back, because let's be honest...nobody has time for that.



Safety first, fun later

We want your Telos storage unit to last as long as possible, so we recommend that you tighten the screws 2 weeks after assembly and for added safety check the tightness of all screws every 2 months.

For proper care and treatment of wood please check our website at NathanJames.com/products

Safe use of this product starts with you.

Use this storage unit responsibly with the primary concern for your safety. Follow assembly instructions carefully and inspect product upon receipt and each use.

Nathan James and its parent companies cannot be held legally responsible for any injuries or death resulted from failure to follow instructions or improper use of this product.

Do not modify the structure of this product in any way.

Our products have been tested to meet specific safety measures as they were originally intended to be sold. Any modifications will present the risk of creating significant safety issues which NJ will not be responsible for.

Proper use

- DO NOT** use for commercial purposes
- DO NOT** climb on storage unit
- DO NOT** exceed weight limit
- DO NOT** leave spilled liquid on storage unit
- DO NOT** use if storage unit is damaged or broken
- DO NOT** make temporary repairs
- DO NOT** use outdoors



We are only in business if you're happy

For starters, thanks for being you.

☎ Toll-free at 1-866-619-1004

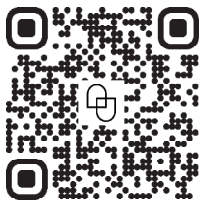
✉ Help@nathanjames.com

🌐 NathanJames.com/help

We do our best to ensure your furniture arrives without any problems, but occasionally mistakes happen—as humans we are imperfect beings. In the event that a part is damaged or missing, we will be more than happy to provide you with replacement part(s) for free.

Warranty

This product comes with a lifetime warranty from the date of purchase. Please use your phone to scan the QR code to register your product or visit <https://goo.gl/i9dk3q>



Did we do alright? Please spread the love!

If you are happy with your product, tell your friends and family about us or even better leave us a review online. Spreading the word gives us the opportunity to make more people happy and keep our prices low for your next purchase.

Brooklyn Burden

Founder, Nathan James