



MODEL N° 90144

OWNER'S MANUAL

COOPY

Keep this Identification Number in case you must contact our Customer Service Department.

STOP!

BEFORE BEGINNING ASSEMBLY

STOP!



Keep the hardware bags and their contents separate. If any parts are missing, call our Customer Service Department at 1.800.424.3865.

COOPY



TOOLS REQUIRED FOR THIS ASSEMBLY

Safety Glasses



(1 pair for each person)

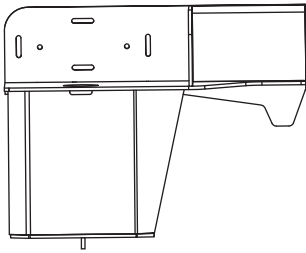
PARTS LIST

ID	Description	Qty	✓
CYX	Motor Mount Kit Parts Box		
CXR	Motor Mount	1	<input type="checkbox"/>
CXS	Battery Bag	1	<input type="checkbox"/>
CXT	Motor Mount Strap Clasp	2	<input type="checkbox"/>
CXU	Motor Mount Strap	1	<input type="checkbox"/>
CXV	Battery Strap	1	<input type="checkbox"/>
CXW	Motor Mount Pin	1	<input type="checkbox"/>
CYW	Battery Strap Clasp	1	<input type="checkbox"/>

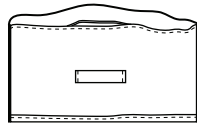
PARTS IDENTIFIER

MOTOR MOUNT KIT PARTS BOX [CYX]

Parts shown at 10% of actual size



CXR (x1)
Motor Mount



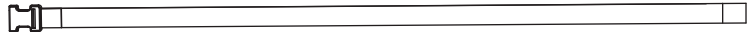
CXS (x1)
Battery Bag



CXW (x1)
Motor Mount Pin



CXU (x1)
Motor Mount Strap



CXV (x1)
Battery Strap



CXT (x2)
Motor Mount Strap Clasp

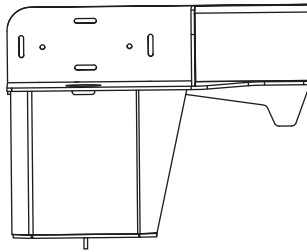


CYW (x1)
Battery Strap Clasp

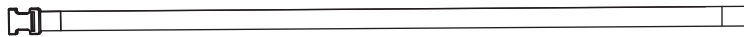


TOOLS AND PARTS REQUIRED FOR THIS PAGE

SEC 1



CXR (x1)



CXV (x1)

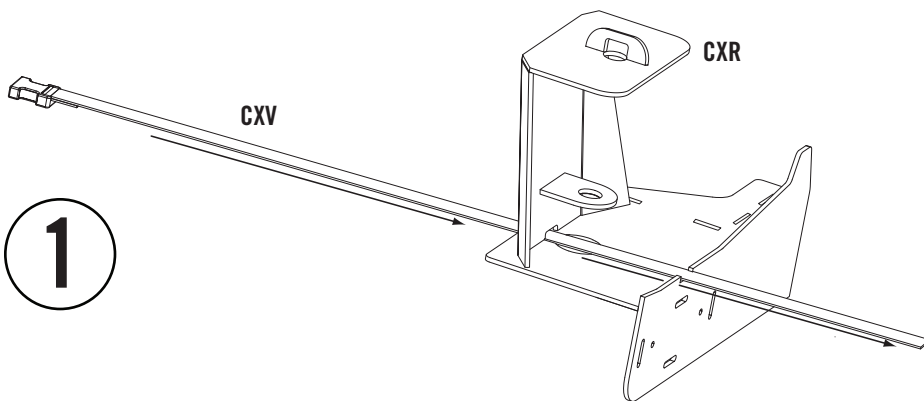


CYW (x1)

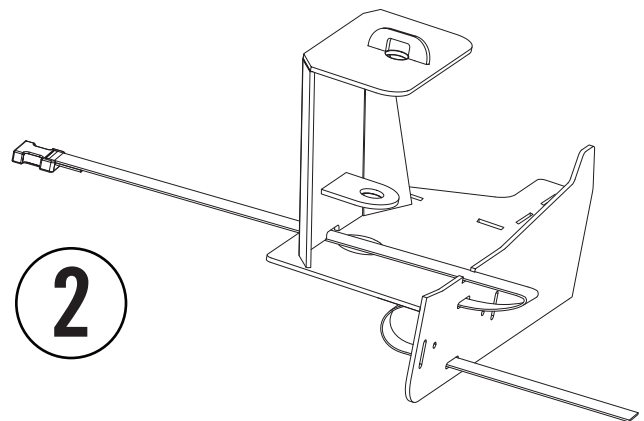
SEC

1.1

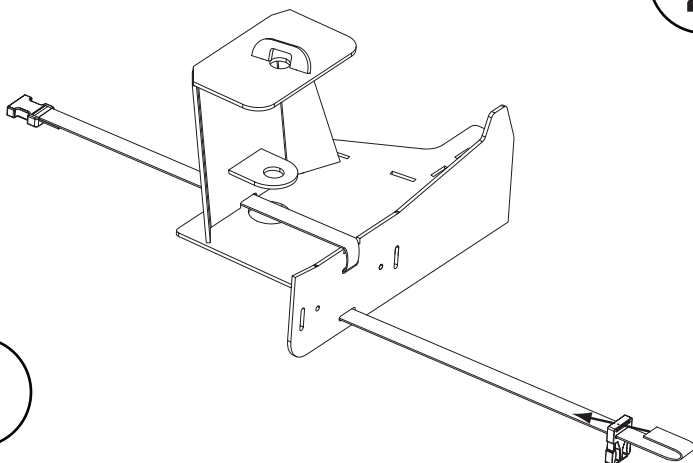
Thread the **Battery Strap (CXV)** through the slots in the **Motor Mount (CXR)** as shown. Finally connect the **Battery Strap Clasp (CYW)** to the Battery Strap as shown.



1



2



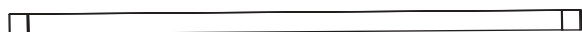
3

CYW



TOOLS AND PARTS REQUIRED FOR THIS PAGE

SEC 1

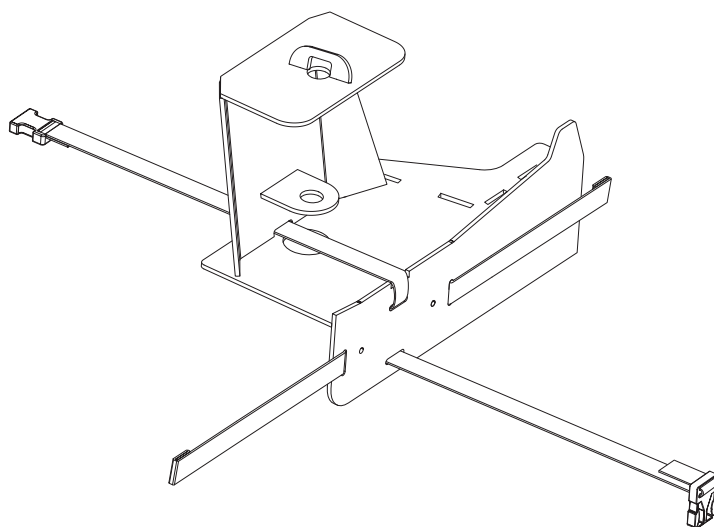
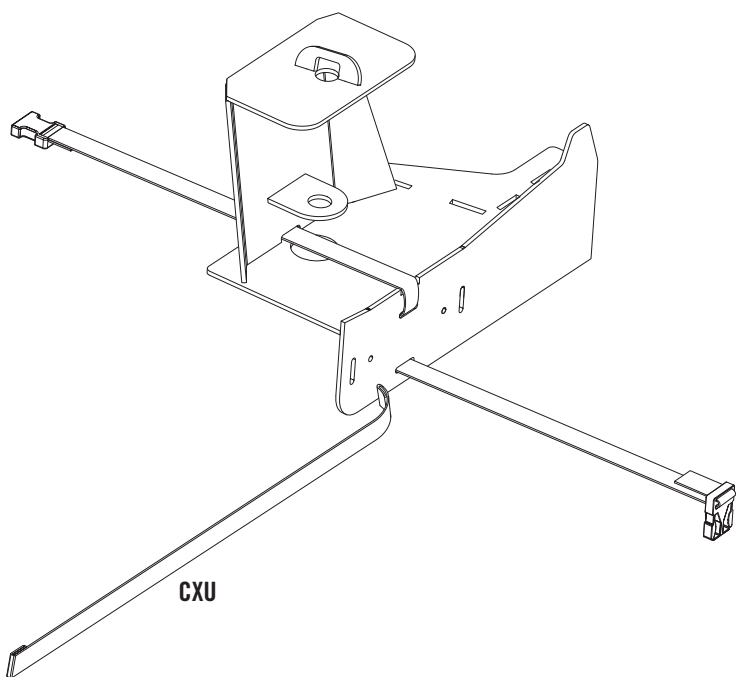


CXU (x1)

SEC

1.2

Thread the **Motor Mount Strap (CXU)** through the slots in the Motor Mount as shown





TOOLS AND PARTS REQUIRED FOR THIS PAGE

SEC 1

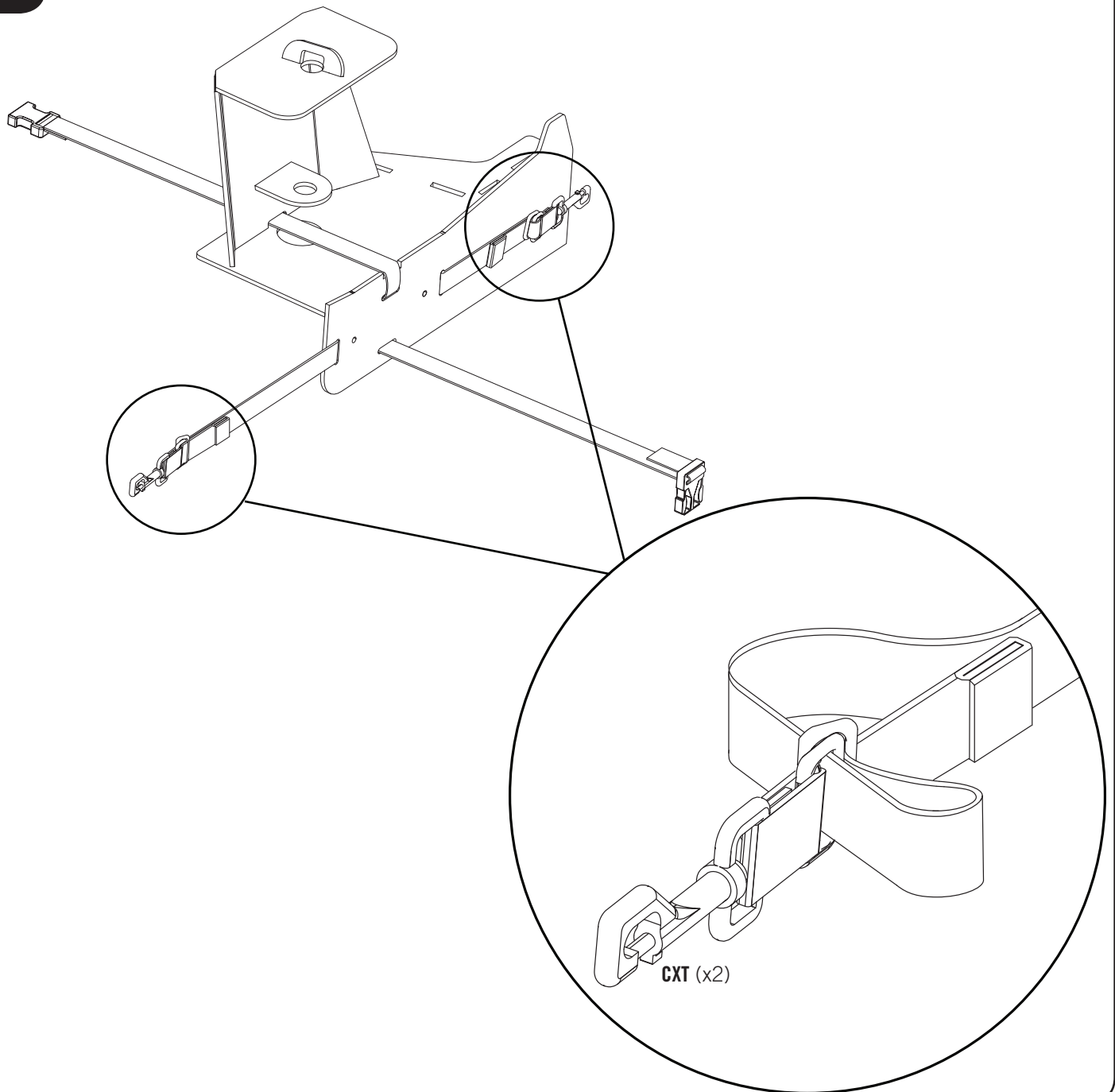


CXT (x2)

SEC

1.3

Connect one (1) **Motor Mount Strap Clasp (CXT)** to each end of the Motor Mount Strap as shown.





TOOLS AND PARTS REQUIRED FOR THIS PAGE

SEC 1

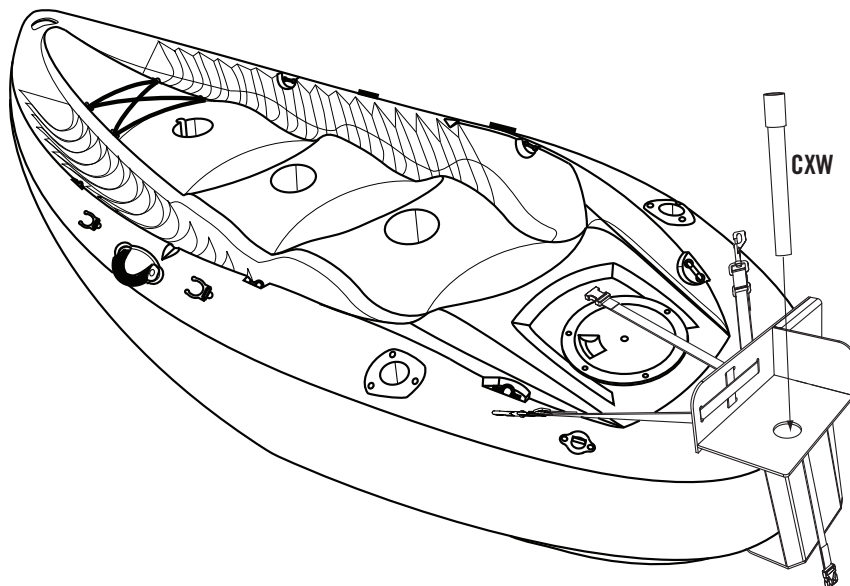
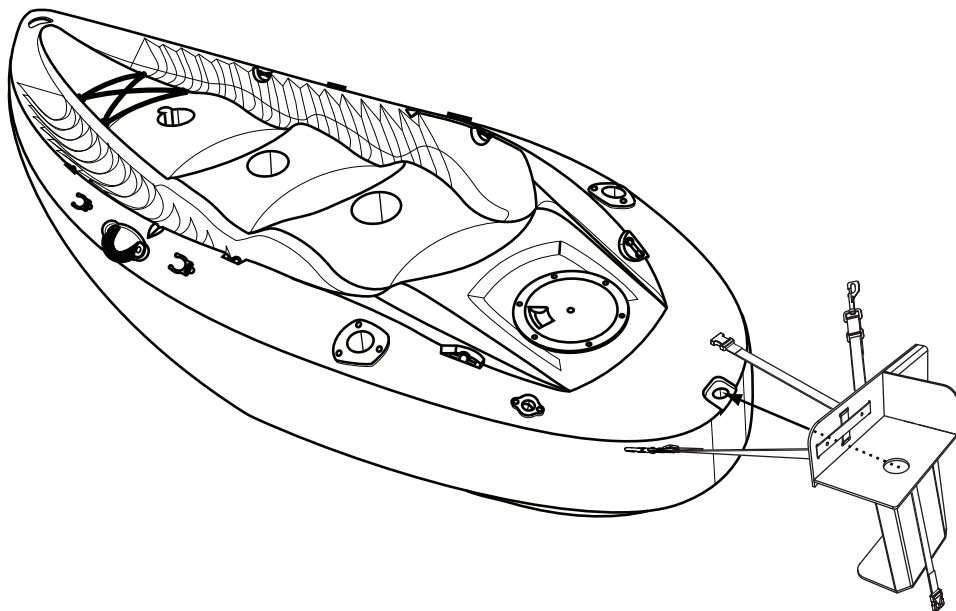


CXW (x1)

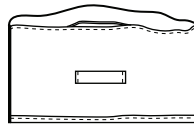
SEC

1.4

Slide the Motor Mount over the rear end of the Kayak, and attach the Mount to the Kayak using the **Motor Mount Pin (CXW)** as shown.



Note: The Motor Mount Pin will be held in place by the battery, attached later in the assembly.

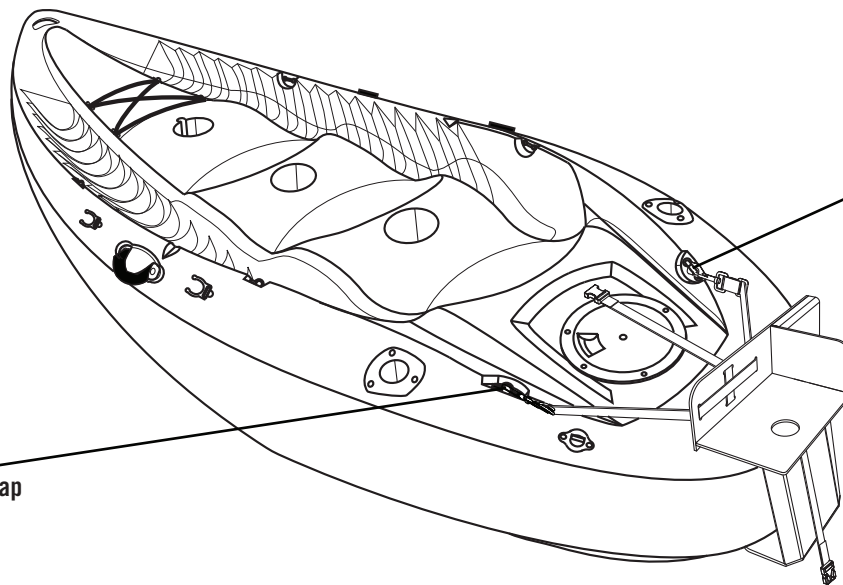


CXS (x1)

SEC

1.5

Help secure the Motor Mount to the Kayak by connecting the Motor Mount Strap Clasps to the two pad eyes as shown. **Tighten Strap securely.**



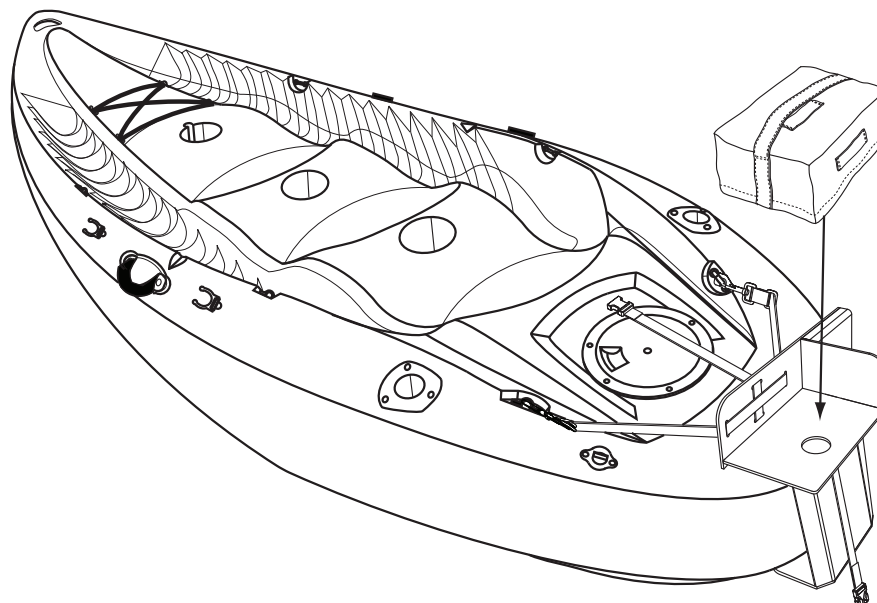
Attach the Motor Mount Strap Clasp to this pad eye.

Attach the Motor Mount Strap Clasp to this pad eye.

SEC

1.6

Place the battery into the **Battery Bag (CXS)** and then onto the Motor Mount as shown.

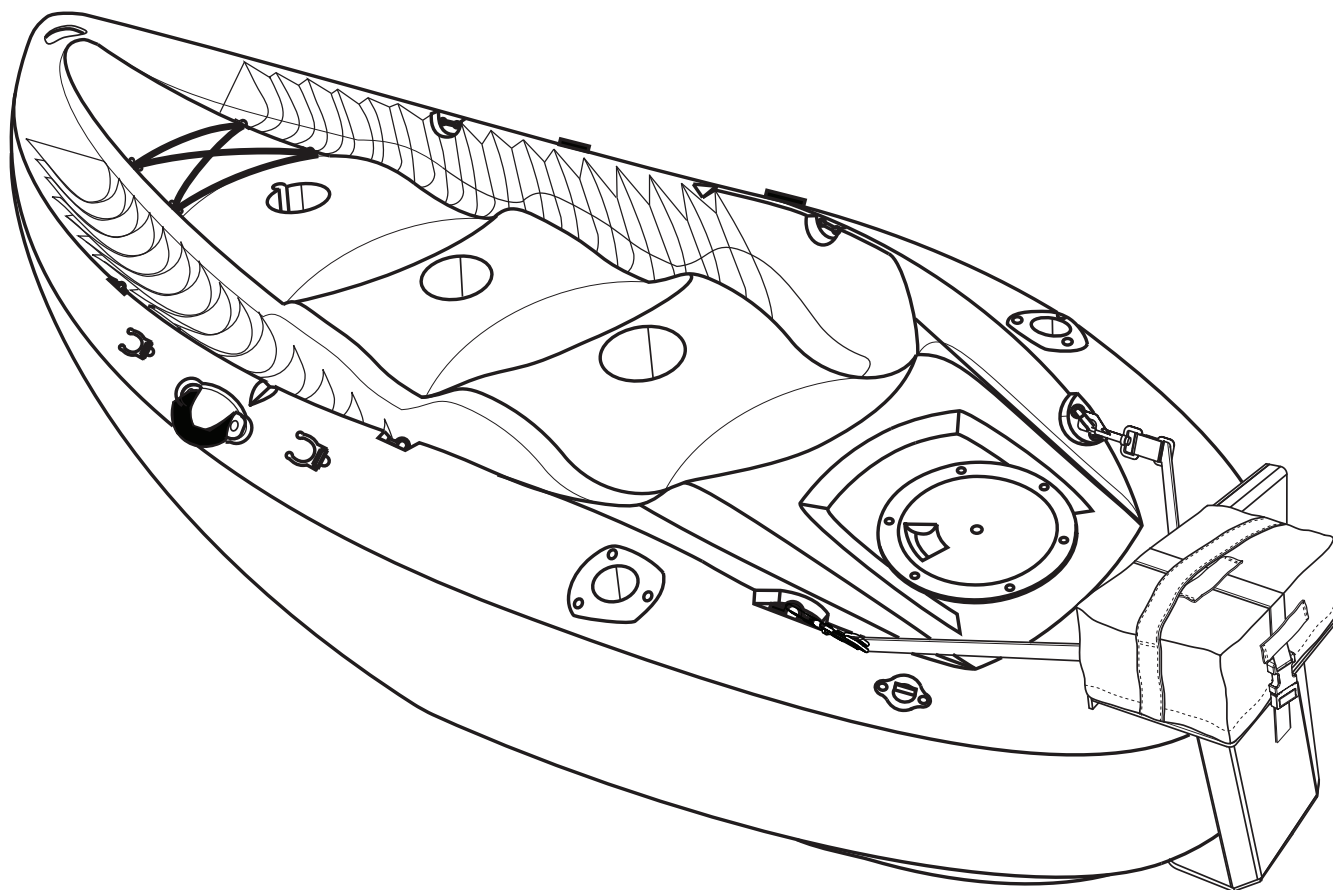




SEC

1.7

Secure the Battery and Battery Bag to the Motor Mount using the Battery Strap. Thread the Battery Strap through the two loops on the Battery Bag. **Tighten Strap securely. Attach the electric motor to the Motor Mount and the battery cables to the battery according to the instructions that came with your motor.**



CAUTION

Always use the battery with the Battery Bag to help prevent the battery from getting wet. The Battery Bag and battery must be securely strapped down to prevent the Motor Mount from detaching from the Kayak. Failure to heed this caution could result in the loss or damage of the motor, battery, and Motor Mount.

CLEANING & CARE

Congratulations on your Lifetime® product purchase. By following the instructions below, your new Lifetime product should provide you with years of service and enjoyment.

Cleaning and Care

The Kayaks are stain- and solvent-resistant. Most stains can be removed, using a mild soap and a soft-bristled brush. Abrasive cleaning materials may scratch the plastic and are not recommended. Avoid placing a direct heat source on or near surfaces unless using a heat barrier. Repair scratches or rust spots on the metal by sanding the affected area lightly; using a rust preventative spray primer; and finally, spraying with a high-gloss spray enamel paint.

LIFETIME 1-YEAR LIMITED FACTORY WARRANTY

LIFETIME PRODUCTS, INC. RESERVES THE RIGHT TO MAKE SUBSTITUTIONS TO WARRANTY CLAIMS IF PARTS ARE UNAVAILABLE OR OBSOLETE.

1. Lifetime Kayaks are warranted to the original purchaser to be free from defects in material or workmanship for a period of one year from the date of original retail purchase. The word “defects” is defined as imperfections that impair the use of the product. Defects resulting from misuse, abuse or customer negligence will void this warranty. This warranty does not cover defects due to alteration or accident. This warranty does not cover damage caused by vandalism, rusting, “acts of nature” or any other event beyond the control of the manufacturer.
2. This warranty is nontransferable and is expressly limited to the repair or replacement of defective product. If the product is defective within the terms of this warranty, Lifetime Products, Inc. will repair or replace defective parts at no cost to the purchaser. Shipping charges are not covered and are the responsibility of the purchaser.
3. This warranty does not cover scratching, scuffing or other cosmetic damage that may result from normal use of the product. In addition, defects resulting from intentional damage, customer negligence or unreasonable use will void this warranty.
4. Liability for incidental or consequential damages is excluded to the extent permitted by law. While every attempt is made to embody the highest degree of safety in all products, freedom from injury cannot be guaranteed. The user assumes all risk of injury resulting from the use of this product. All merchandise is sold on this condition, and no representative of the company may waive or change this policy.
5. This warranty is in lieu of all other warranties expressed or implied, including warranties of merchantability or fitness for use to the extent permitted by Federal and state law. Neither Lifetime Products, Inc. nor any representative assumes any other liability in connection with this product. This warranty gives you specific legal rights, and you may also have other rights which vary from state to state.

PLEASE INCLUDE YOUR DATED SALES RECEIPT AND PHOTOGRAPHS OF DAMAGED PARTS.

REPORT PRODUCT DEFECTS IN WRITING TO:

Lifetime Products, Inc., PO Box 160010 Clearfield, UT 84016-0010
or call 1-800-225-3865 M-F 7 a.m. to 5 p.m. MST.

REGISTER YOUR PRODUCT FOR QUICKER CUSTOMER SERVICE.

Visit www.lifetime.com or call 1-800-225-3865 to register your product today

FOR INTERNATIONAL WARRANTY CLAIMS:

All warranty claims must be accompanied by a sales receipt. Report all warranty claims in writing to your regional sales support representative. Please include your dated sales receipt and photographs of damaged parts.

To Identify the representative for your region — Please visit: www.lifetime.com/international



©Lifetime Products, Inc.

ENHANCE YOUR LIFETIME® PURCHASE BY ADDING ACCESSORIES OR OTHER GREAT PRODUCTS

To purchase accessories or other Lifetime Products, visit us at:

www.lifetime.com

Or call: 1-800-424-3865

