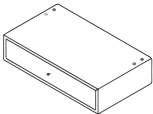


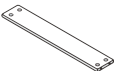

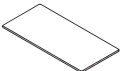
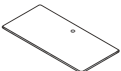




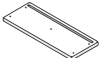
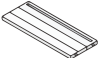
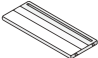
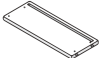
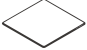



















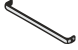





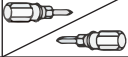
# THE MAKEUP VANITY I

## OPERATING MANUAL

# 01 / Hardware List



 A×1	 B1×1	 B2×1
 C×2	 D×1	 E1×2
 E2×1	 F×2	 G1×1
 G2×1	 H×1	 I×3
 J1×3	 J2×3	 K×3
 L×3	 M×2	 N×4
 O×4	 P×1	 Q×1

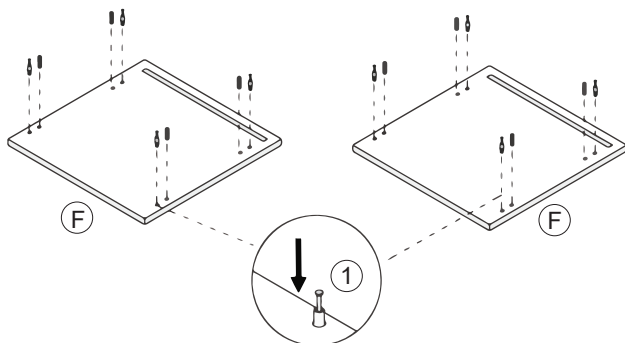
# 02 / Parts List

①		36 Pcs	②		36 Pcs
Two in one screw (38*6.7mm)			Three in one nut (10*14mm)		
③		8 Pcs	④		2 Pcs
Wood chipping (6*30mm)			Corner code screw (3.5*10mm)		
⑤		12 Pcs	⑥		40 Pcs
Self tapping wire (4*30mm)			Self tapping wire (3.5*14mm)		
⑦		12 Pcs	⑧		1 Pcs
Cross screw (4*12mm)			Handle & screw (4*28mm)		
⑨		3 Pcs	⑩		6 Pcs
Handle & screw (4*18mm)			Three in one screw (35*6.7mm)		
⑪		2 Pcs	⑫		2 Pcs
Movable guide rail			Iron guide rail		
⑬		6 Pcs	⑭		8 Pcs
Backboard buckle&screw(4*12mm)			Masking stickers		
⑮		8 Pcs	⑯		1 Pcs
Plastic cover			Power Supply		
⑰		1 Pcs			
Double head screwdriver (Cross & flat head)					

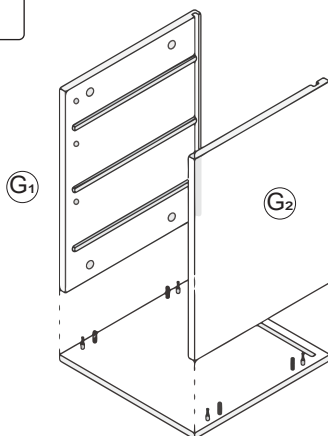
# 03 / Installation steps

## Step 1

①	 ×8
③	 ×8



## Step 2

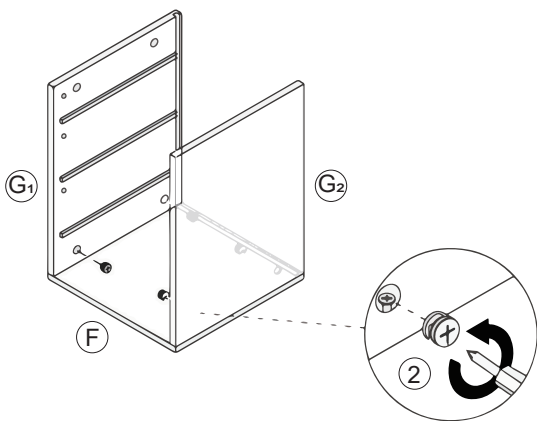


# 03 / Installation steps

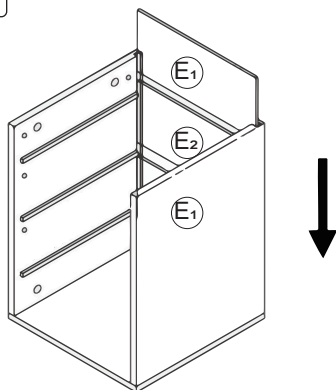
## Step 3

2

⊕ ×4

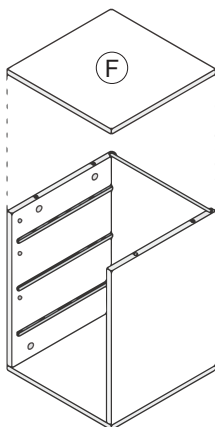


## Step 4



# 03 / Installation steps

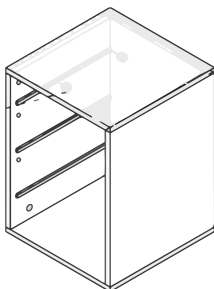
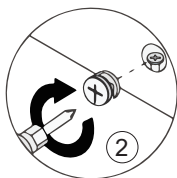
## Step 5



## Step 6

②

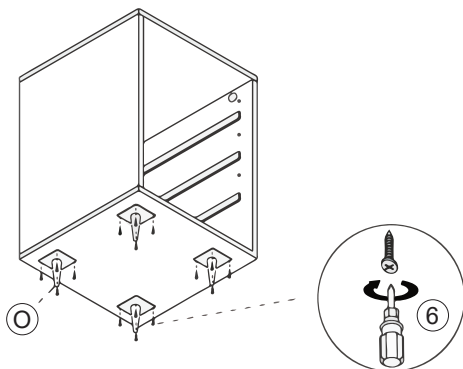
 x4



# 03 / Installation steps


Step 7

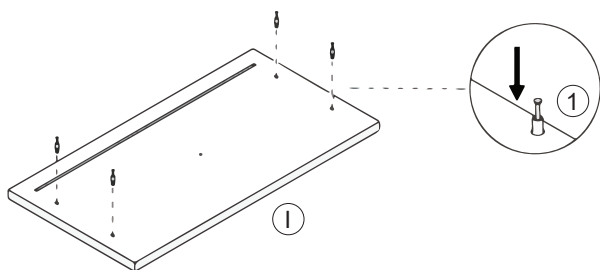
⑥  × 16



Install at the pilot hole.

Step 8 × 3

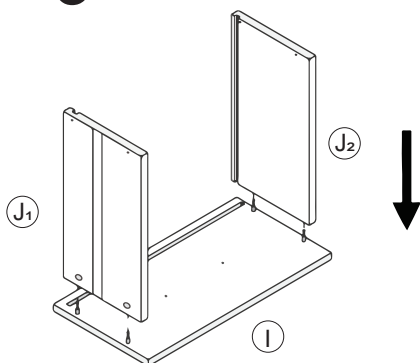
①  × 4



# 03 / Installation steps

Step 9

×3



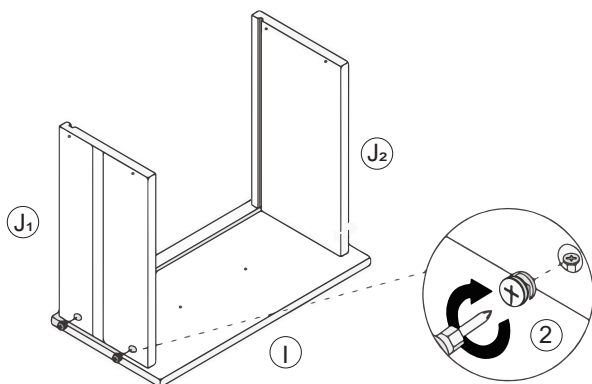
Step 10

×3

1



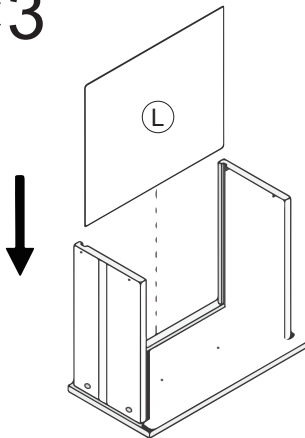
×8





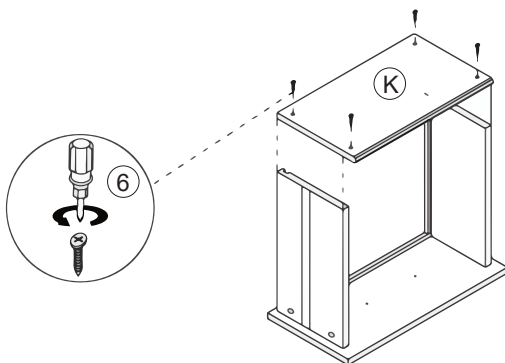
# 03 / Installation steps

Step 11 ×3



Step 12 ×3

⑤  ×4

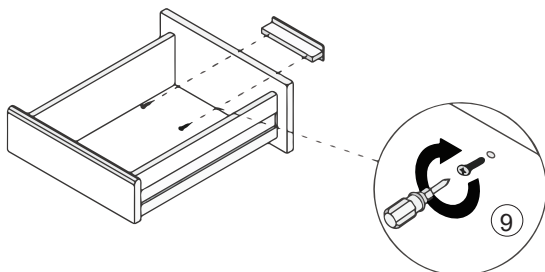


# 03 / Installation steps

Step 13 ×3

9

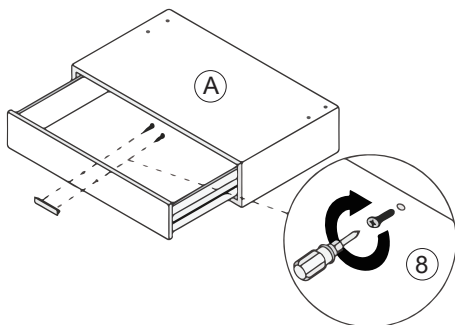
×1



Step 14

8

×1

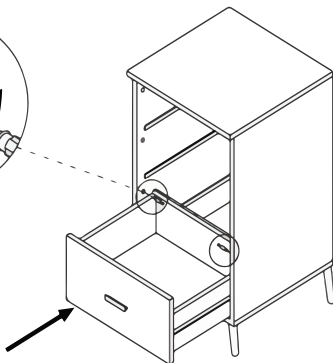
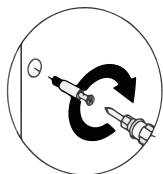


# 03 / Installation steps

Step 15

10

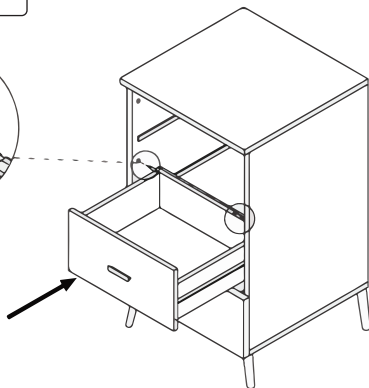
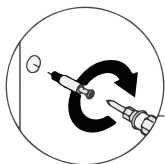
×2



Step 16

10

×2

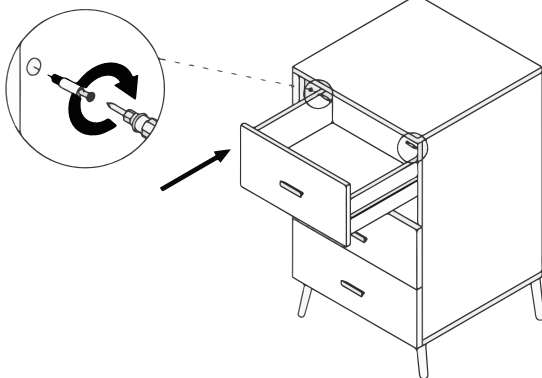


# 03 / Installation steps

## Step 17

10

 × 2



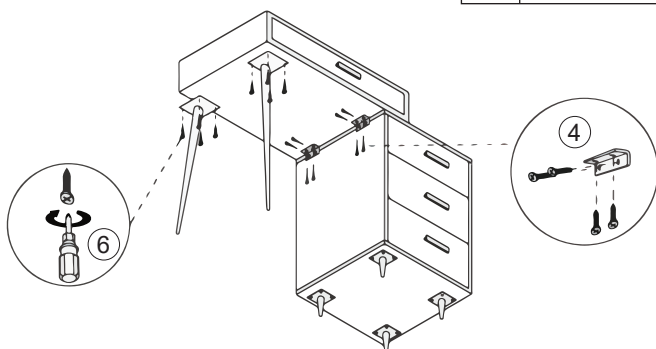
## Step 18

6

 × 16

4

 × 2



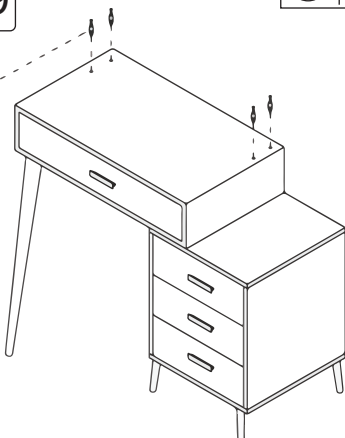
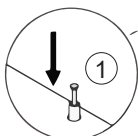
Install at the pilot hole.

# 03 / Installation steps

## Step 19

①

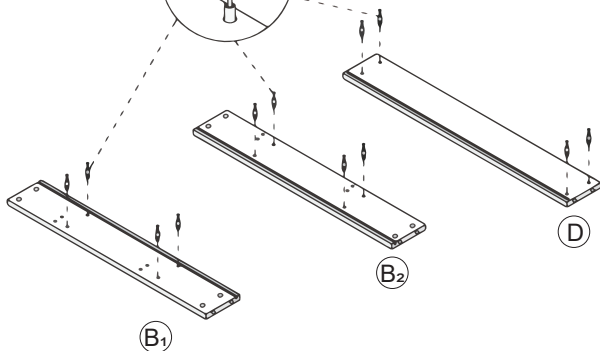
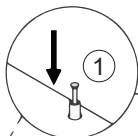
 x4



## Step 20

①

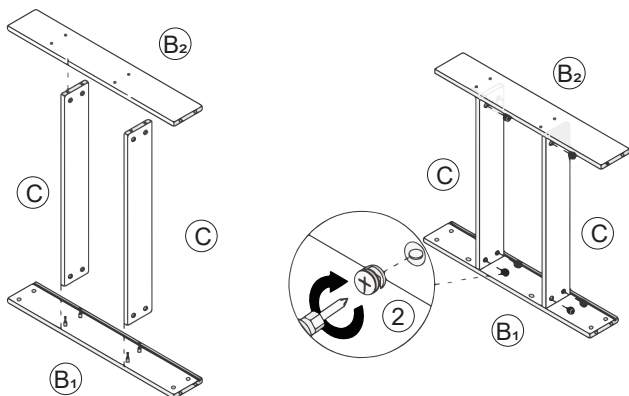
 x12



# 03 / Installation steps

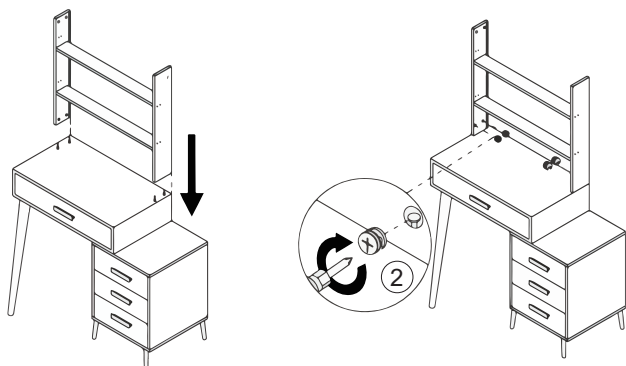
## Step 21

(2)  × 8



## Step 22

(2)  × 4

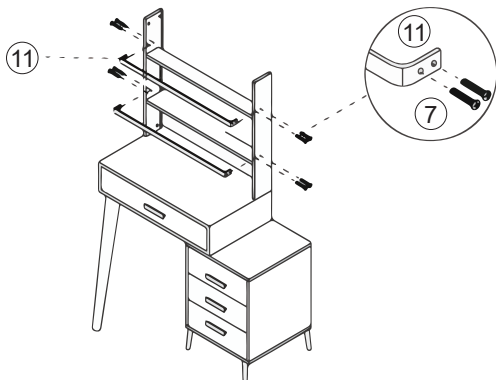


# 03 / Installation steps

## Step 23

7

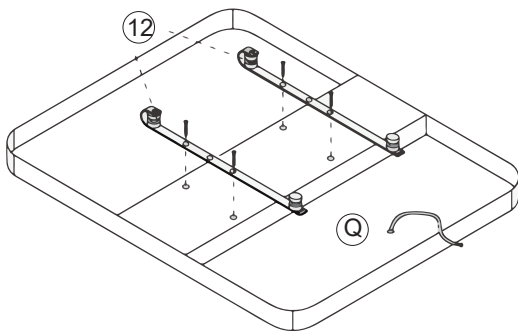
 x8



## Step 24

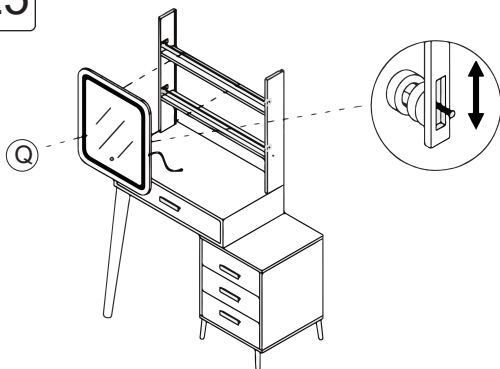
7

 x4



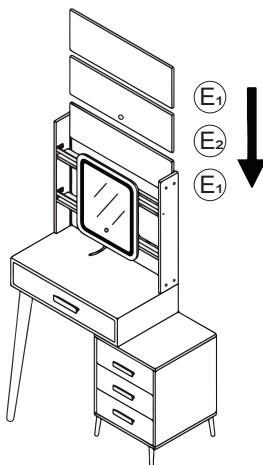
# 03 / Installation steps

## Step 25



There is a pulley on the back of the mirror, which can be adjusted up and down.

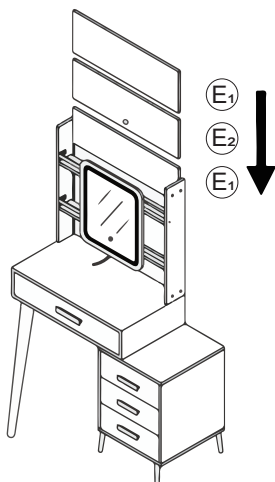
## Step 26



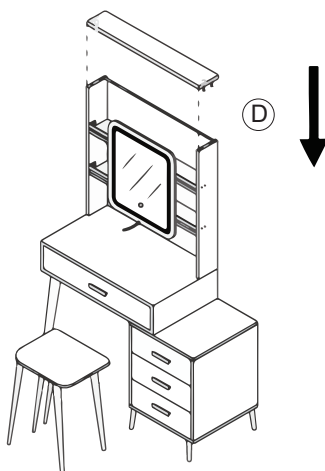


# 03 / Installation steps

## Step 27



## Step 28

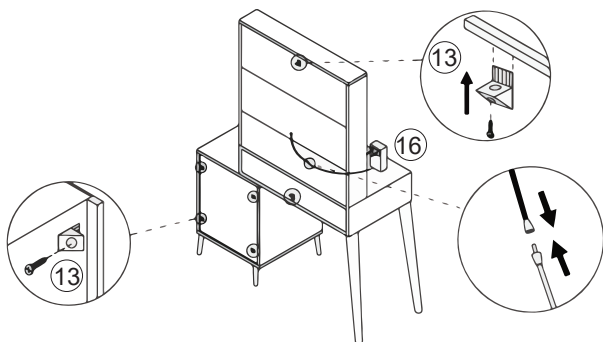


# 03 / Installation steps

## Step 29

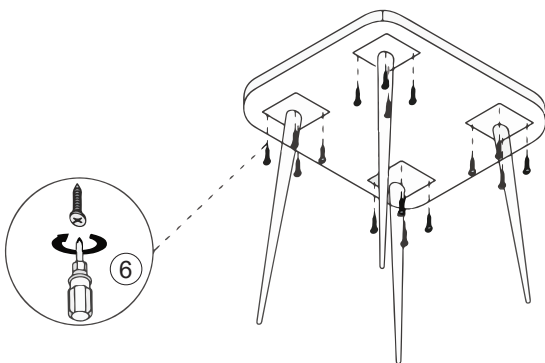
13   ×4

16  ×1



## Step 30

6  ×16

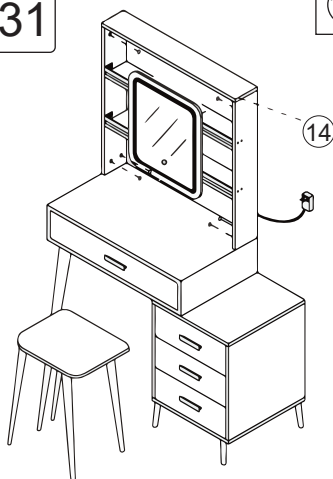


# 03 / Installation steps

## Step 31

14

● ×8



## Step 32

15

⊗ ×8

